

User Guide



Digital Picture Frame

NS-DPF8/NS-DPF10

Insignia

NS-DPF8/NS-DPF10

Digital Picture Frame

Contents

Introduction	1
Safety information	1
Features	1
Setting up your digital picture frame	2
Using your digital picture frame	3
Maintaining your digital picture frame	9
Troubleshooting	9
Specifications	10
6-Month Limited Warranty	11

Introduction

Congratulations on your purchase of a high-quality Insignia product. Your NS-DPF8 or NS-DPF10 represents the state of the art in digital picture frame design, and is designed for reliable and trouble-free performance.

Safety information

Always follow these basic safety precautions when using your digital picture frame. This will reduce the risk of fire, electric shock, and injury.

Warning
To reduce the risk of fire or shock hazard, do not expose the digital picture frame to rain or moisture.

Warning
To prevent the risk of electric shock, do not remove the cover. There are no user-serviceable parts inside. Refer all servicing to qualified personnel.

- The digital picture frame is for indoor use only.
- Unplug the digital picture frame before performing care and maintenance.
- Do not block the ventilation holes on the back of the digital picture frame at any time.
- Keep your digital picture frame out of direct sunlight and heat sources.
- Protect the power cord. Route power cords so that they are not likely to be walked on or pinched by items placed on or against them. Pay particular attention to the point where the cord attaches to the digital picture frame.
- Only use the AC adapter included with the digital picture frame. Using any other power adapter will void your warranty.
- Unplug the power cord from the outlet when the digital picture frame is not in use.

Features

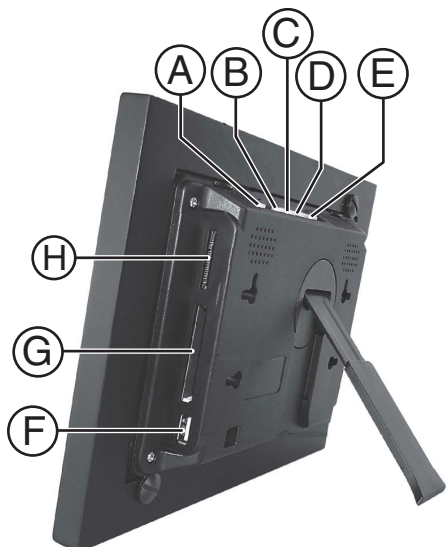
The digital picture frame includes these key features:

- Displays digital photos (JPEG) without a computer.
- Insert a compatible memory card into the digital frame to show photos or play MP3 music (memory card not included). Compatible memory cards include Secure Digital, MultiMedia Card, Compact Flash, Memory Stick, Memory Stick Pro, Memory Stick Duo, Memory Stick Pro Duo, and xD Card.
- Plays MP3 music with the integrated speakers.
- Plays a digital photo slide show with MP3 background music.
- Displays JPEG images stored on digital cameras.
- Supports up to 12 megapixel image files (JPEG format).
- Control the main functions with buttons on the frame or with the included infrared remote control.
- Includes a bright TFT LCD screen.
- Includes built-in memory.
- Connect your PC using the USB 2.0 high-speed connection.
- Connect your digital camera using the USB 1.1 (host) connection.

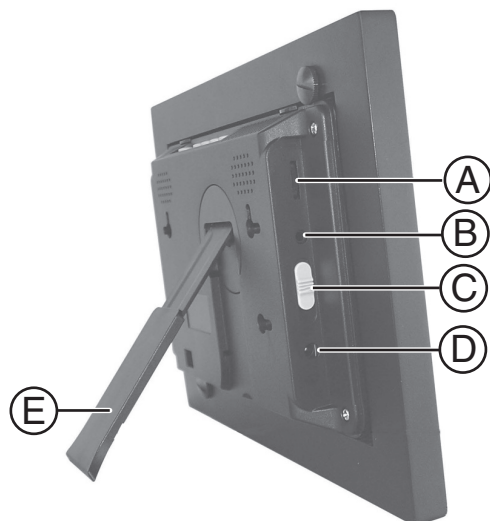
What's In the Box

- Digital Picture Frame
- AC Power Adapter
- User's Guide
- Remote Control
- USB Cable
- Decorative Frame
- Cleaning cloth
- Quick Start Guide

Identifying components



Item	Description
A	SETUP—Display the Setup menu
B	EXIT: <ul style="list-style-type: none"> Exit the current display Go back a screen
C	Right arrow—Move the selection right
D	ENTER: <ul style="list-style-type: none"> Select the highlighted option Pause Play
E	Left arrow—Move the selection left
F	USB host port
G	Memory card slot: <ul style="list-style-type: none"> Compact Flash™
H	Memory card slot: <ul style="list-style-type: none"> Memory Stick™ Memory Stick Duo™ Memory Stick Pro™ Memory Stick Pro Duo™ MultiMedia Card™ Secure Digital™ xD Memory Card™



Item	Description
A	Brightness
B	Line Out
C	Power switch
D	AC power
E	Stand

Setting up your digital picture frame

Setting up the remote control

Note
 Pull the plastic tab sticking out of the remote control. It protects the battery. The remote control cannot work unless it is removed.

To install and replace the remote control battery:

- 1 Hold the remote control with the control buttons facing downward.
- 2 While pressing down on the ridged area of the battery cover, pull the tray out.
- 3 Place a CR2025 lithium battery on the tray with the positive + end facing toward you.
- 4 Close the tray.

Setting up the digital picture frame

This section describes the steps needed to display your first slide show.

To set up the digital picture frame:

- 1 Extend the stand from the back of the digital picture frame.
- 2 Place the digital picture frame on a flat surface.
- 3 Plug one end of the AC power adapter into the digital picture frame.
- 4 Plug the other end of the AC power adapter into a wall outlet.
- 5 Insert a memory card into the appropriate slot.

Note
 The card only fits in one direction. Do not force it. The card should fit snugly when correctly inserted.

- 6 Move the power switch on the left side of the digital picture frame to the **ON** position. The digital picture frame automatically starts a slide show of the photos on the card.

To display photos individually:

- 1 Press **EXIT** to open the *Thumbnails* screen.
- 2 Press **▲** or **▼** to choose a photo.
- 3 Press **ENTER** on the top of the digital picture frame or **ENTER** on the remote control.

To restart the slide show:

- Press **ENTER** on the digital picture frame or press **SLIDE SHOW** on the remote control.

Using your digital picture frame

Using the control buttons and remote control

You can use all of the digital picture frame's features by using either the buttons on top of the frame or by using the remote control.

Using the control buttons

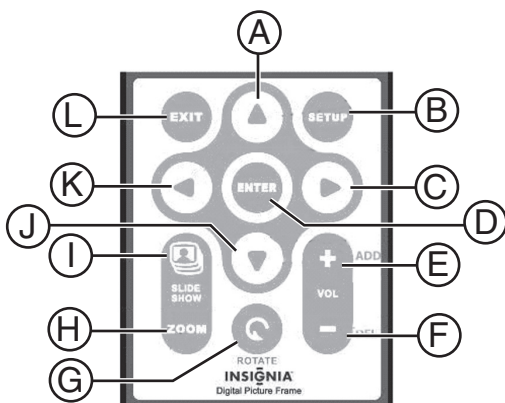
The control buttons are located on top of the digital picture frame. Their basic functions are the same no matter when you press them.

Note

You can open the *Setup* menu at any time by pressing and holding **EXIT**.

Button	Action
◀	<ul style="list-style-type: none"> Move the selection up or left Display the previous photo Select the previous file
ENTER	<ul style="list-style-type: none"> Select the highlighted option Start a slide show Pause Play
▶	<ul style="list-style-type: none"> Move the selection down or right Display the next photo Select the next file
EXIT	<ul style="list-style-type: none"> Exit the current display Go back a screen
SETUP	<ul style="list-style-type: none"> Open the Setup menu.

Using the remote control

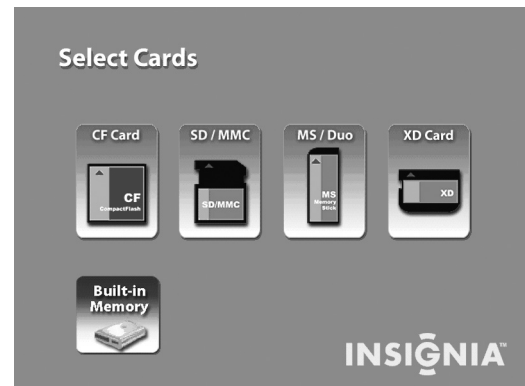


Item	Button	Action
A	▲	Move the selection up
B	SETUP	Display the Setup menu
C	▶	Move the selection right
D	ENTER (Play/Pause)	<ul style="list-style-type: none"> Select the highlighted option Pause Play
E	Volume up	<ul style="list-style-type: none"> Increase the volume Select/check a photo
F	Volume down	<ul style="list-style-type: none"> Decrease the volume Deselect/uncheck a photo
G	ROTATE	Rotate the picture
H	ZOOM	Enlarge the picture
I	SLIDE SHOW	Start a slide show
J	▼	Move the selection down
K	◀	Move the selection left
L	EXIT	<ul style="list-style-type: none"> Exit the current display Go back a screen

Getting started—selecting a card and mode

To select a memory card or internal memory:

- 1 Press **EXIT** on the digital picture frame or remote control repeatedly until the *Select Cards* menu opens.



- 2 Insert a new memory card or press ◀ or ▶ to select the built-in memory or existing memory card.

The *Mode Selection* screen opens after you choose a memory source.

To select the type of file or function to operate:

- 1 Press **ENTER** to make the selection. The *Select Mode* menu opens.



- 2 Press **◀** or **▶** to select the file type.

File Type	Description
PHOTO	Display JPEG still photo slide shows.
MUSIC	Play MP3 audio files.
CLOCK	Display current date, time, and alarm settings.

- 3 Press **ENTER** to make the selection. If you selected:
 - PHOTO, the *Thumbnail* screen opens.
 - MUSIC, a listing of MP3 files opens.
 - CLOCK, the *Clock and Calendar* screen opens.
- 4 Press **EXIT** to return to the *Select Mode* menu.

Starting a slide show

To view a slide show from a memory card:

- 1 Make sure the digital picture frame is turned off.
- 2 Insert a memory card into one of the open slots.
- 3 Turn on the digital picture frame. The slide show automatically starts from the memory card.

To view a slide show from built-in memory:

- 1 Make sure the digital picture frame is turned off.
- 2 Remove all memory cards from the digital picture frame.
- 3 Turn on the digital picture frame. The slide show automatically starts from the built-in memory.

Rotating a single photo on the full screen

You can rotate a displayed photo on the full screen.

To rotate a single photo:

- Press **ROTATE** on remote control. The full screen photo is rotated by 90° counterclockwise with each press of the **ROTATE** button.

Enlarging a single photo on the full screen

You can magnify a displayed photo on the full screen.

To enlarge a single photo:

Press **ZOOM** on remote control. The photo is magnified in size each time you press the **ZOOM** button until it returns to the normal size. While the photo is in enlarged, use the arrow buttons to move the photo so you can see portions that aren't currently visible.

Setting up the slide show

The digital picture frame lets you set up a slide show using either all of the photos or selected photos in the selected memory source. You can also add music to your slide show.

Setting up a slide show of all photos in the memory

To set up a slide show of all photos:

- With the *Thumbnails* screen displayed, press **SLIDESHOW** on the remote control or the **ENTER** button twice on the frame. A slide show of all photos in the selected memory is played.

Setting up a slide show of selected photos in the memory

Note

A slide show of selected photos can only be operated by using the remote control.

To set up a slide show of selected photos:

- 1 With the *Thumbnails* screen displayed, use arrow buttons to locate the photo you want, then press **+** to select the photo or **-** to de-select the photo. A check mark appears at the upper-right corner of the selected thumbnail photo.
- 2 After completing the photo selection, press **SETUP** on the remote control or on the frame to bring up a setup menu.
- 3 Choose the **Start Slideshow** menu item, then press **ENTER**.
A submenu appears offering three options:
 - One
 - Selected
 - All
- 4 Choose **Selected** to start a slide show of only the selected photos.

Adding music to a slide show

To play background music with a slideshow:

- Copy MP3 files onto the same memory card as your photos. The music plays as the slide show runs.
See "Connecting to a computer" on page 8 for details on copying files.

Playing music on the digital picture frame

You can choose a music file to play without playing a slide show. Select the music file from the *Music* screen.

Note

Music files must be standard MP3 format and not from licensed music download services.

If there are MP3 files on a memory card or in the built-in memory, you can play them on the digital picture frame.

To play music on the digital picture frame:

- 1 Use the remote control to open the *Select Mode* screen, then select **MUSIC**. A new screen opens and lists all the music files on the selected card.
- 2 Use ◀ or ▶ to choose a file to play.
- 3 Press **ENTER** to play the file.
- 4 Press **EXIT** to stop the music and return to the *Music* screen.

Controlling the volume

Use the remote control to adjust the volume on the digital picture frame or when playing MP3 files.

To adjust the volume:

- Press + and - buttons to adjust the volume up and down.

Connecting speakers to the digital picture frame

The digital picture frame has built-in speakers, but you can also connect it to an external amplifier and speakers.

Plug the speaker plug into the earphone jack located on the right side of digital picture frame (cable not included).

Copying photos from a memory card to the built-in memory

Copying a single photo

Use the remote control to copy a photo from a memory card to the built-in memory.

To copy a single photo:

- 1 Press **EXIT** until the *Select Card* screen opens.
- 2 Use ◀ or ▶ to highlight the memory card.
- 3 Press **ENTER** to select the card. The *Mode Selection* screen opens.
- 4 Select **PHOTO**, then press **ENTER**. The *Thumbnails* screen opens.
- 5 Use ◀ or ▶ to highlight the photo you want to copy.
- 6 Press **SETUP**. The on-screen setup menu opens.
- 7 Press ▲ or ▼ to select **Copy File**.
- 8 Press **ENTER**. A submenu appears offering three options:
 - One
 - Selected
 - All

- 9 Select **One**, then press **ENTER** to copy the highlighted photo from memory card to built-in memory.
- 10 Press **EXIT** to return to the *Thumbnails* screen.

Copying multiple photos

Use the remote control to copy more than one photo from a memory card to the built-in memory.

To copy multiple photos:

- 1 Press **EXIT** until the *Select Card* screen opens.
- 2 Use ◀ or ▶ to highlight the memory card.
- 3 Press **ENTER** to select the card. The *Mode Selection* screen opens.
- 4 Select **PHOTO**, then press **ENTER**. The *Thumbnails* screen opens.
- 5 Use ◀ or ▶ to highlight the photo you want to copy.
- 6 Press **EXIT** to return to the *Thumbnails* screen.
- 7 Use the + button to select the photo. A check mark appears at the upper-left corner of the thumbnail photo. Use the - button to de-select a photo.
- 8 After completing the photo selection, press **SETUP** to open the on-screen setup menu.
- 9 Press ▲ or ▼ to select **Copy File** menu.
- 10 Press **ENTER**. A submenu appears offering three options:
 - One
 - Selected
 - All
- 11 Select the **Selected** option, then press **ENTER** to copy those photos with the check mark from the memory card.

Deleting photos from the built-in memory

With the *Thumbnails* screen for the built-in memory displayed, photos can be deleted one or more at a time.

Note

You can not delete photos on the memory card.

Deleting a displayed photo

Use the remote control to delete a photo from the built-in memory.

To delete a photo:

- 1 With the photo displayed on the screen, press **SETUP**. A setup menu opens.
- 2 Press ▲ or ▼ to select **Delete File**.
- 3 Press **ENTER** to delete this photo.
- 4 Press **EXIT** to close the menu.

Note

It is a good idea to keep copies of the photos you copy onto your digital picture frame.

Deleting a single photo on the thumbnails screen

To delete a single photo:

- 1 With the *Thumbnails* screen displayed, use ◀ or ▶ to highlight the photo you want to delete.
- 2 Press the **SETUP** button. A setup menu opens.
- 3 Press ▲ or ▼ to choose **Delete File**, then press **ENTER**. The highlighted photo is deleted.

Deleting multiple or all photos in the built-in memory

You can use the remote control when the *Thumbnail* screen is displayed to delete several photos, or all photos from the internal memory. You cannot use the digital picture frame to delete photos from external memory cards.

To delete multiple photos:

- 1 With the *Thumbnail* screen displayed, use ◀ or ▶ to highlight the photo. The photo's filename is displayed at the top of the screen. The notations at the top of the screen also indicate how many screens of photos are on the memory card.
- 2 Press the + button or - button on the remote control to select or unselect the highlighted photo. Selected photos have a check in the thumbnail photo window.
- 3 Press **SETUP**. A setup menu opens.
- 4 Press ▲ or ▼ to choose **Delete File**, then press **ENTER**. A submenu appears offering three options:
 - One
 - Selected
 - All
- 5 Select the **Selected** option to delete photos that have the check mark.

Caution

You are not asked to confirm nor do you have a chance to change your mind. It is a good idea to keep copies of the photos you copy onto your digital picture frame.

- 6 Press **EXIT** to close the menu.

Setting viewing options

You can control all of the viewing options in the *Setup* menu using the buttons on the top of the frame or the remote control. You can display the *Setup* menu at any time by pressing the **Setup** button. Only available setup options are displayed for each screen.

To set viewing options:

- 1 With the *Setup* menu open, use ▲ or ▼ to choose a display option.
- 2 Press **ENTER** to select the option. A second menu opens, listing the available settings. A blue highlight shows the current setting.
- 3 Use ▲ or ▼ to choose a setting.
- 4 Press **ENTER** to select the setting. The second menu closes.

- 5 You can make as many changes as you wish in the same manner. When you are finished, press the **EXIT** button to close the *Setup* menu and return to the previous screen.

The following table lists all possible *Setup* menu options, submenu options, and a description of their actions in all viewing screens.

Menu Option	Settings	Description
Slideshow Transition	<ul style="list-style-type: none"> • Off • Fade • Stutter • Cross Comb • Mask • Brick • Dissolve • Bar • Expansion • Silk • Random 	Special effects used to transition from one photo to the next in a slide show.
Slideshow Interval	<ul style="list-style-type: none"> • 5 Seconds • 10 Seconds • 30 Seconds • 60 Seconds • 1 Hour • 24 Hours 	The interval between each photo displayed in a slide show.
Slideshow Shuffle	<ul style="list-style-type: none"> • On • Off 	Displays photos randomly or in a sequence.
Slideshow Music	<ul style="list-style-type: none"> • On • Off 	Run the slide show with or without background music.
Music Repeat	One	Repeat playing the music file continuously.
	All	Repeat all music files continuously.
	Off	Do not repeat music.
Copy File	One	Copy the highlighted file from a memory card to built-in memory
	Selected	Copy the checked file from a memory card to built-in memory.
	All	Copy all files from a memory card to built-in memory.
Delete File	One	Delete the highlighted file from built-in memory.
	Selected	Delete the checked file from built-in memory.
	All	Delete all files from built-in memory.
Clock Display	On	Display the current time.
	Off	Do not display the current time.
Photo Date/Time Stamp	On	Display the date and time a photo was taken.
	Off	Do not display the date and time a photo was taken.

Menu Option	Settings	Description
Rotate		Rotate the displayed photo 90° counterclockwise.
Zoom		Zoom in on the displayed photo.
Start Slideshow		Start the slide show.
Set Clock	Set Clock	Set the internal clock.
Set Alarm	Set Alarm Time	Set alarm time.
	Alarm Setting	Set alarm once, daily, or no alarm.
	Tone	Default tone or music tone.
Set ON/OFF Schedule	Weekdays	Turns on at xx:xx AM/PM
	Weekdays	Turns off at xx:xx AM/PM
	Weekends	Turns on at xx:xx AM/PM
	Weekends	Turns off at xx:xx AM/PM
Start Scheduled ON/OFF		Start scheduled ON/OFF control.
Power Saving	<ul style="list-style-type: none"> • Off • 2 Hours • 4 Hours • 8 Hours 	If unused for the selected time period, the digital picture frame goes to power saving mode. Any button press on the remote control or frame wakes it up.
Brightness/Contrast		Adjust the LCD brightness and contrast.
Color/Tint		Adjust the LCD color and tint.
Factory Default		Reset all settings to factory default values.

Using the clock, calendar, scheduled ON/OFF function

This function provides a combination view of calendar, real time clock, and continuous slide show for the selected memory source.

This function can be selected by choosing **CLOCK** on the *Select Mode* screen, then pressing **ENTER** on the remote control or on the frame.



Setting the internal clock

When the digital picture frame's internal clock is set, you can use it as an alarm clock.

To set the internal clock:

- 1 Go to **CLOCK** mode, then press **SETUP** to open the *Setup* menu.
- 2 Choose **Set Clock**.
- 3 Use ◀ or ▶ to move to a time or date field to be changed.
- 4 Use ▲ or ▼ to change the value in the selected field.
- 5 When the date and time are correct, press the **ENTER** button to set the time and return to the normal *Clock/Calendar View* screen.

Setting the alarm

Use your digital picture frame as an alarm clock. You can set it to sound a built-in tone or play pre-stored music with the filename **pd_alarm.wav** in the build-in memory. You can also set the alarm to alert only once or daily after setup.

To set the alarm:

- 1 With the *Clock/Calendar View* screen displayed, press **ENTER** to open the *Setup* menu.
- 2 Choose **Set Alarm**, then press **Enter** to open a submenu.
- 3 Choose **Set Alarm Time** option to open another submenu for changing alarm time.
- 4 When the alarm time settings are completed, press **ENTER** to set the alarm and return to the normal *Clock/Calendar View* screen.

Note

The alarm defaults to **Tone** if the digital picture frame is turned off.

Displaying the calendar with a clock or a picture

You can use your digital picture frame as a desk calendar with either a large clock or a digital photo with a small digital clock.

To display the calendar:

- 1 To display the calendar and clock, press the **EXIT** button until the *Mode Selection* screen opens.
- 2 Use the arrow buttons to highlight **Clock**.
- 3 Press **ENTER**. The *Calendar and Clock* page is displayed.
- 4 Press the **Setup** button.
- 5 Choose **Display Style**, then press **ENTER**.
- 6 Choose **Photo Display** or **Clock Display**, then press **ENTER**.
- 7 The calendar now displays your chosen style.

Creating a schedule for playing slide shows

You can set your digital picture frame to display slide shows at predetermined times.

To create a slide show schedule:

- 1 With the *Calendar and Clock* displayed, press **SETUP**.
- 2 Use **▲** or **▼** to select **Set On/Off Schedule**, then press **ENTER**. The *Set Schedule* page opens with the **Hours** field for the Weekdays Turn on at highlighted.
- 3 Use **▲** or **▼** to set the hour you want scheduled slide shows to start, then use **▶** to move to the minutes field, set the minutes in the same manner as the hours, and then move the highlight to the **AM/PM** field.
- 4 Use **▲** or **▼** to choose AM or PM.
- 5 Set the time you want the slide show to end in the same manner.
- 6 Press **ENTER** when **Always OFF** is highlighted if you don't want to play scheduled slide shows on weekdays. The field now reads **Set Turn-On Time**. Press **ENTER** to schedule weekday slide shows.
You can set different times for scheduled slide shows on the weekends in the same manner.
- 7 Press **EXIT** to save them and return to the *Calendar/Clock* page.

Turning scheduled slide shows on or off

After you create slide show schedules, you need to turn slide show scheduling on to use the schedules.

To turn scheduled slide shows on or off:

- 1 With the *Calendar/Clock* displayed, press **SETUP**.
- 2 Choose **Start Scheduled ON/OFF**, to turn the scheduling on or off.

Changing the decorative frame

The digital picture frame has interchangeable decorative frames.

To change the frame:

- 1 Remove one of the screws on the back of the frame.
- 2 Lift the unit from the frame.
- 3 Slide the unit into the new frame, replace the screw, then finger-tighten.

Connecting to a computer

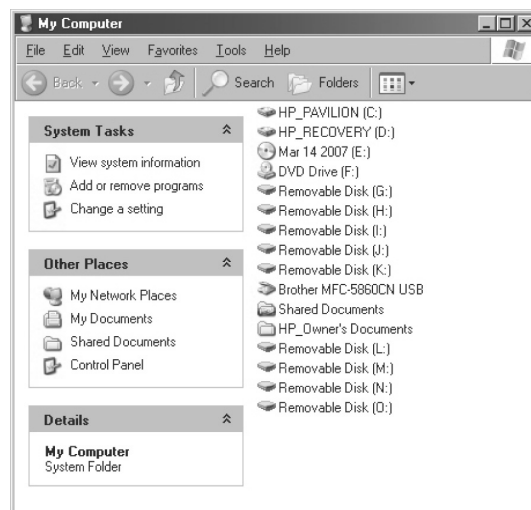
In addition to the basic functions described previously, you can connect the digital picture frame to your computer to copy files to the built-in memory.

Connect to a Windows computer

You can copy files from your Windows computer to your digital picture frame.

To connect to a Windows computer:

- 1 Plug in and turn on the digital picture frame.
- 2 Connect the small end of the USB cable to the USB port on the back of the digital picture frame.
- 3 Connect the larger end of the USB cable to a USB port on your computer.
- 4 Open **My Computer** on your computer. A window showing all drives connect to your computer opens. Each memory card in the digital picture frame and the built-in memory are listed.
- 5 Double-click the drive to display the files on the card. The example below shows a card with several JPG images on it.



To copy files from the card:

- Select the files and drag them to the location on your computer.

To copy photos from your computer to the card:

- 1 Locate the files on your computer.

Most cameras and graphic programs store photos in the Windows **My Pictures** folder. If you didn't move them somewhere else, they are probably there.

- 2 Select the files you want to copy, click **File**, then click **Copy**.
- 3 Click in the window for the removable card, click **File**, then click **Paste**.

Note

If your PC is connected to Local Area Network drives, or if you have multiple drive letters already assigned to peripheral devices, you need to manage your drive settings in Windows to free up the four drive letters immediately following your CD-ROM drive so the Digital Photo Frame can assign them to memory card slots.

Disconnecting the digital picture frame from a Windows computer

It is important not to just unplug the digital picture frame when you are done transferring files. It can seriously damage the built-in memory.

To disconnect from a Windows computer:

- 1 Right-click the USB icon in the task tray, then click **Safely Remove Hardware**. A dialog box opens.
- 2 Click **USB Mass Storage Device**, then click **Stop**. Another dialog box opens.
- 3 Click **OK**. Another dialog box opens.
- 4 Click **Close**. When the message **It is Now Safe to Disconnect Hardware** appears, you can disconnect the USB cable from your computer.

Connecting to a Macintosh computer

You can copy files from your Macintosh computer to your digital picture frame.

To connect to a Macintosh computer:

- 1 Plug in and turn on the digital picture frame.
- 2 Connect the small end of the USB cable to the USB port on the side of the digital picture frame.
- 3 Connect the larger end of the USB cable to a USB port on your Macintosh computer. The Macintosh will recognize the digital picture frame as an external storage device.
- 4 Drag and drop files between the two devices as you normally move photo files.

Disconnecting the digital picture frame from a Macintosh computer

To safely disconnect the digital picture frame from your Macintosh:

- 1 Select the digital picture frame's icon on your desktop, then press **Command-e** to eject the disk.
- 2 When the icon is no longer on the desktop, unplug the USB cable.

Connect a USB flash drive

Your digital picture frame uses a USB flash drive the same way it uses memory cards.

Maintaining your digital picture frame

Cleaning the LCD Screen

Treat the screen gently. The screen is made of glass and can be scratched or broken.

To clean fingerprints or dust from the LCD screen, we recommend using the cloth provided or a soft, non-abrasive cloth such as a camera lens cloth.

If you use a commercial LCD cleaning kit, do not apply the cleaning liquid directly to the LCD screen. Clean the LCD screen with the cleaning cloth moistened with the liquid.

Cleaning the digital picture frame

Clean the outer surface of the digital picture frame (excluding the screen) with a soft cloth dampened with water.

Troubleshooting

Problem	Solution
The digital picture frame won't turn on.	The adapter is not securely connected to the picture frame or the power switch is not on.
A memory card is inserted in the digital picture frame but you can't view your photos.	<ul style="list-style-type: none"> • Make sure that the memory card is one of the supported formats and that the files on the card are JPEG images files. • Turn the digital picture frame off and make sure that the memory card is inserted all the way into the card slot and is inserted correctly. • Turn the frame on. After a couple of seconds, you should see your first photo. Press EXIT to open the <i>Select Card</i> screen. Select the card, then select Photos. You should see the <i>Thumbnails</i> screen listing all photos on the card. If you don't, you may want to try another card. <p>Note: Some digital cameras save images in formats other than JPEG. Refer to your camera's manual if your photos are not JPEG files.</p>
The picture displays some pictures slower and some pictures faster	Higher resolution pictures load more slowly. Try using lower resolution pictures or down sampling your images. See your camera's operating manual for details on down sampling your photos.

Specifications

Product	8.0" LCD Screen Digital Picture Frame	10.4" LCD Screen Digital Picture Frame
Resolution	800 X 600 pixel	800 X 600 pixel
Memory Card Formats	Secure Digital™, Multi Media Card™, Compact Flash™, xD Memory Card™, Memory Stick™, Memory Stick PRO™, Memory Stick PRO Duo™, Memory Stick Duo™ and USB Flash Drives.	Secure Digital™, Multi Media Card™, Compact Flash™, xD Memory Card™, Memory Stick™, Memory Stick PRO™, Memory Stick PRO Duo™, Memory Stick Duo™ and USB Flash Drives.
File Format	Standard JPEG and MP3	Standard JPEG and MP3
Features	Slide Show Mode, Multiple Transitional Styles for Slide Show, Variable Speed for Slide Show, Multiple Position Adjustable Stand for Optimal Viewing Angle.	Slide Show Mode, Multiple Transitional Styles for Slide Show, Variable Speed for Slide Show, Multiple Position Adjustable Stand for Optimal Viewing Angle.
USB	USB 1.1 (Host) and USB 2.0	USB 1.1 (Host) and USB 2.0
Power Input	100V - 240V AC, 50-60 HZ	100V - 240V AC, 50-60 HZ
Power Output	9V DC, 2A	9V DC, 2A
Certification	FCC/PSE (Adapter)	FCC/PSE (Adapter)
Internal memory	256MB	256MB
Internal speaker	2 x 1W	2 x 1W

Legal notices

FCC Part 15

This device complies with Part 15 of the FCC Rules. Operation of this product is subject to the following two conditions: (1) this device may not cause harmful interference, and (2) this device must accept any interference received, including interference that may cause undesired operation.

FCC warning

Changes or modifications not expressly approved by the party responsible for compliance with the FCC Rules could void the user's authority to operate this equipment.

DHHS and FDA safety certification

This product is made and tested to meet safety standards of the FCC, requirements and compliance with safety performance of the U.S. Department of Health and Human Services, and also with FDA Radiation Performance Standards 21 CFR Subchapter J.

Canada ICES-003 statement

This Class B digital apparatus complies with Canadian ICES-003.

RSS 310 statement

To reduce potential radio interference to other users, the antenna type and its gain should be so chosen that the equivalent isotropically radiated power (e.i.r.p.) is not more than that permitted for successful communication.

Copyright

© 2007 Insignia. Insignia and the Insignia logo are trademarks of Best Buy Enterprise Services, Inc. Other brands and product names are trademarks or registered trademarks of their respective holders. Specifications and features are subject to change without notice or obligation. For service and support call (877) 467-4289.

Image Use Restrictions

Use of the images pre-loaded on the digital picture frame is limited to personal, non-commercial use. Consumer may not modify, duplicate, distribute, retransmit, republish, reproduce, or create derivative works from the pre-loaded images.

6-Month Limited Warranty

Insignia Products ("Insignia") warrants to you, the original purchaser of this new **NS-DPF8/NS-DPF10** ("Product"), that the Product shall be free of defects in the original manufacture of the material or workmanship for a period of 6 months from the date of your purchase of the Product ("Warranty Period"). This Product must be purchased from an authorized dealer of Insignia brand products and packaged with this warranty statement. This warranty does not cover refurbished Product. If you notify Insignia during the Warranty Period of a defect covered by this warranty that requires service, terms of this warranty apply.

How long does the coverage last?

The Warranty Period lasts for 6 months from the date you purchased the Product. The purchase date is printed on the receipt you received with the Product.

What does this warranty cover?

During the Warranty Period, if the original manufacture of the material or workmanship of the Product is determined to be defective by an authorized Insignia repair center or store personnel, Insignia will (at its sole option): (1) repair the Product with new or rebuilt parts; or (2) replace the Product at no charge with new or rebuilt comparable products or parts. Products and parts replaced under this warranty become the property of Insignia and are not returned to you. If service of Products or parts are required after the Warranty Period expires, you must pay all labor and parts charges. This warranty lasts as long as you own your Insignia Product during the Warranty Period. Warranty coverage terminates if you sell or otherwise transfer the Product.

How to obtain warranty service?

If you purchased the Product at a retail store location, take your original receipt and the Product to the store you purchased it from. Make sure that you place the Product in its original packaging or packaging that provides the same amount of protection as the original packaging. If you purchased the Product from an online web site, mail your original receipt and the Product to the address listed on the web site. Make sure that you put the Product in its original packaging or packaging that provides the same amount of protection as the original packaging.

To obtain in-home warranty service for a television with a screen 25 inches or larger, call 1-888-BESTBUY. Call agents will diagnose and correct the issue over the phone or will have an Insignia-approved repair person dispatched to your home.

Where is the warranty valid?

This warranty is valid only to the original purchaser of the product in the United States and Canada.

What does the warranty not cover?

This warranty does not cover:

- Customer instruction
- Installation
- Set up adjustments
- Cosmetic damage
- Damage due to acts of God, such as lightning strikes
- Accident
- Misuse
- Abuse
- Negligence
- Commercial use
- Modification of any part of the Product, including the antenna
- Plasma display panel damaged by static (non-moving) images applied for lengthy periods (burn-in).

This warranty also does not cover:

- Damage due to incorrect operation or maintenance

- Connection to an incorrect voltage supply
- Attempted repair by anyone other than a facility authorized by Insignia to service the Product
- Products sold as is or with all faults
- Consumables, such as fuses or batteries
- Products where the factory applied serial number has been altered or removed

REPAIR REPLACEMENT AS PROVIDED UNDER THIS WARRANTY IS YOUR EXCLUSIVE REMEDY. INSIGNIA SHALL NOT BE LIABLE FOR ANY INCIDENTAL OR CONSEQUENTIAL DAMAGES FOR THE BREACH OF ANY EXPRESS OR IMPLIED WARRANTY ON THIS PRODUCT, INCLUDING, BUT NOT LIMITED TO, LOST DATA, LOSS OF USE OF YOUR PRODUCT, LOST BUSINESS OR LOST PROFITS. INSIGNIA PRODUCTS MAKES NO OTHER EXPRESS WARRANTIES WITH RESPECT TO THE PRODUCT, ALL EXPRESS AND IMPLIED WARRANTIES FOR THE PRODUCT, INCLUDING, BUT NOT LIMITED TO, ANY IMPLIED WARRANTIES OF AND CONDITIONS OF MERCHANTABILITY AND FITNESS FOR A PARTICULAR PURPOSE, ARE LIMITED IN DURATION TO THE WARRANTY PERIOD SET FORTH ABOVE AND NO WARRANTIES, WHETHER EXPRESS OR IMPLIED, WILL APPLY AFTER THE WARRANTY PERIOD. SOME STATES, PROVINCES AND JURISDICTIONS DO NOT ALLOW LIMITATIONS ON HOW LONG AN IMPLIED WARRANTY LASTS, SO THE ABOVE LIMITATION MAY NOT APPLY TO YOU. THIS WARRANTY GIVES YOU SPECIFIC LEGAL RIGHTS, AND YOU MAY ALSO HAVE OTHER RIGHTS, WHICH VARY FROM STATE TO STATE OR PROVINCE TO PROVINCE.

Contact Insignia:

For customer service please call 1-877-467-4289
www.insignia-products.com

INSIGNIA® is a trademark of Best Buy Enterprise Services, Inc.

Distributed by Best Buy Purchasing, LLC.

Insignia, 7601 Penn Avenue South, Richfield, Minnesota, U.S.A.



www.insignia-products.com (877) 467-4289

Distributed by Best Buy Purchasing, LLC
7601 Penn Avenue South, Richfield, MN USA 55423-3645
© 2007 Best Buy Enterprise Services, Inc.

All rights reserved. INSIGNIA is a registered trademark of Best Buy Enterprise Services, Inc.
All other products and brand names are trademarks of their respective owners.

Distribué par Best Buy Purchasing, LLC
7601 Penn Avenue South, Richfield, MN USA 55423-3645
© 2007 Best Buy Enterprise Services, Inc.

Tous droits réservés. INSIGNIA est une marque déposée de Best Buy Enterprise Services, Inc.
Tous les autres produits ou noms de marques sont des marques de commerce qui appartiennent à leurs propriétaires respectifs.

Distribuido por Best Buy Purchasing, LLC
7601 Penn Avenue South, Richfield, MN USA 55423-3645
© 2007 Best Buy Enterprise Services, Inc.

Todos los derechos reservados. INSIGNIA es una marca registrada de Best Buy Enterprise Services, Inc.
Todos los demás productos y marcas son marcas comerciales de sus respectivos dueños.

Free Manuals Download Website

<http://myh66.com>

<http://usermanuals.us>

<http://www.somanuals.com>

<http://www.4manuals.cc>

<http://www.manual-lib.com>

<http://www.404manual.com>

<http://www.luxmanual.com>

<http://aubethermostatmanual.com>

Golf course search by state

<http://golfingnear.com>

Email search by domain

<http://emailbydomain.com>

Auto manuals search

<http://auto.somanuals.com>

TV manuals search

<http://tv.somanuals.com>