

CS ARCHITECTURAL

LOUDSPEAKER

OWNER'S MANUAL



ARCHITECTURAL SPEAKERS

IMPORTANT SAFETY INSTRUCTIONS

1. READ these instructions.
2. KEEP these instructions.
3. HEED all warnings.
4. FOLLOW all instructions.
5. DO NOT use this apparatus near water.
6. CLEAN ONLY with dry cloth.
7. DO NOT block any ventilation openings. Install in accordance with the manufacturer's instructions.
8. DO NOT install near any heat sources such as radiators, heat registers, stoves, or other apparatus (including amplifiers) that produce heat.
9. DO NOT defeat the safety purpose of the polarized or grounding type plug. A polarized plug has two blades with one wider than the other. A grounding type plug has two blades and a third grounding prong. The wider blade or the third prong are provided for your safety. If the provided plug does not fit into your outlet, consult an electrician for replacement of the obsolete outlet.
10. PROTECT the power cord from being walked on or pinched, particularly at plugs, convenience receptacles, and the point where they exit from the apparatus.
11. ONLY USE attachments/accessories specified by the manufacturer.
12. USE only with a cart, stand, tripod, bracket, or table specified by the manufacturer, or sold with the apparatus. When a cart is used, use caution when moving the cart/apparatus combination to avoid injury from tip-over.
13. UNPLUG this apparatus during lightning storms or when unused for long periods of time.
14. REFER all servicing to qualified service personnel. Servicing is required when the apparatus has been damaged in any way, such as power-supply cord or plug is damaged, liquid has been spilled or objects have fallen into the apparatus, the apparatus has been exposed to rain or moisture, does not operate normally, or has been dropped.



This symbol indicates that there are important operating and maintenance instructions in the literature accompanying this unit.



This symbol indicates that dangerous voltage constituting a risk of electric shock is present within this unit.

WARNING: To reduce the risk of fire or electrical shock, do not expose this apparatus to rain or moisture.



WARNING: Voltages in this equipment are hazardous to life. No user-serviceable parts inside. Refer all servicing to qualified service personnel.

CAUTION: Changes or modifications not expressly approved by the manufacturer could void the user's authority to operate this device.

ABOUT YOUR KLIPSCH PURCHASE

Your new Klipsch architectural speakers have been designed to deliver great sound while remaining unobtrusive wherever you install them. Your new in-wall or in-ceiling speakers are suitable for use as front, center or surround channels in audio or home theater applications, or as part of a distributed sound system.

Minimum Tools Required
#2 Phillips Screwdriver
Wire strippers
Level
Stud finder
Saw

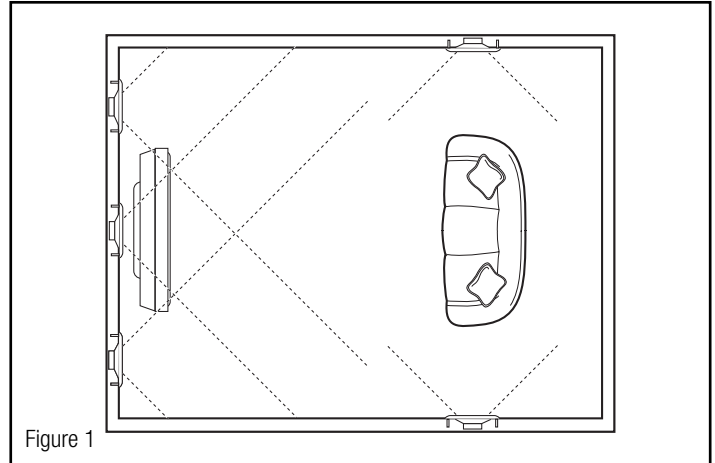


Figure 1

In-Wall Speaker Placement

Designed to function in any standard wall, ceiling or drop ceiling, Klipsch in-wall speakers are engineered for years of performance. Minimum construction requirements call for dry-wall or other mounting surfaces to be at least 3/8" thick (Figure 1).

To maximize performance, speakers should be placed at an equal distance from the listener and along a common wall to ensure the best stereo effect. For background listening environments (or when the listening position may vary widely), speaker placement may be wherever is most convenient, although in these cases stereo imaging may be lost.

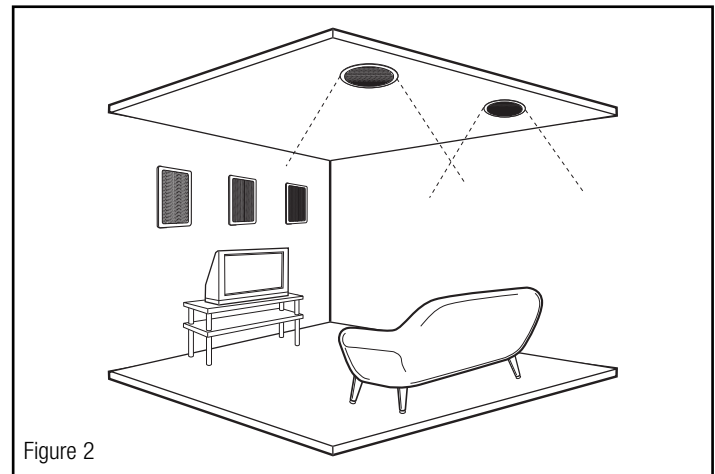


Figure 2

In-Ceiling Speaker Placement

Designed to function in any drywall or drop ceiling, Klipsch in-ceiling speakers are engineered for years of performance. Minimum construction requirements call for drywall or other mounting surfaces to be at least 3/8" thick. In drop ceiling installations, typical "drop in" 2' x 4' and 2' x 2' ceiling tiles are composed of low density materials which have the potential over time to sag and vibrate audibly. To maximize the acoustic performance of your in-ceiling speakers, Klipsch recommends you replace the original mounting panel with 1/2" to 3/4" plywood or medium density fiberboard (MDF) (Figure 2).

Speaker Installation (for New Construction, skip to step #3)

1. Cut the appropriate size opening in the wall or ceiling using the template provided. If the template is not available, cutout dimensions are provided on the Klipsch website, www.klipsch.com. Sizes listed are minimum. If accuracy of cut cannot be achieved, you may add 1/4" to each dimension. Be careful not to cut through any existing wiring or plumbing. Avoid compromising any fire stops between studs.
2. Run speaker wiring (18 gauge minimum) to the openings. Be sure to comply with all building codes in your area.

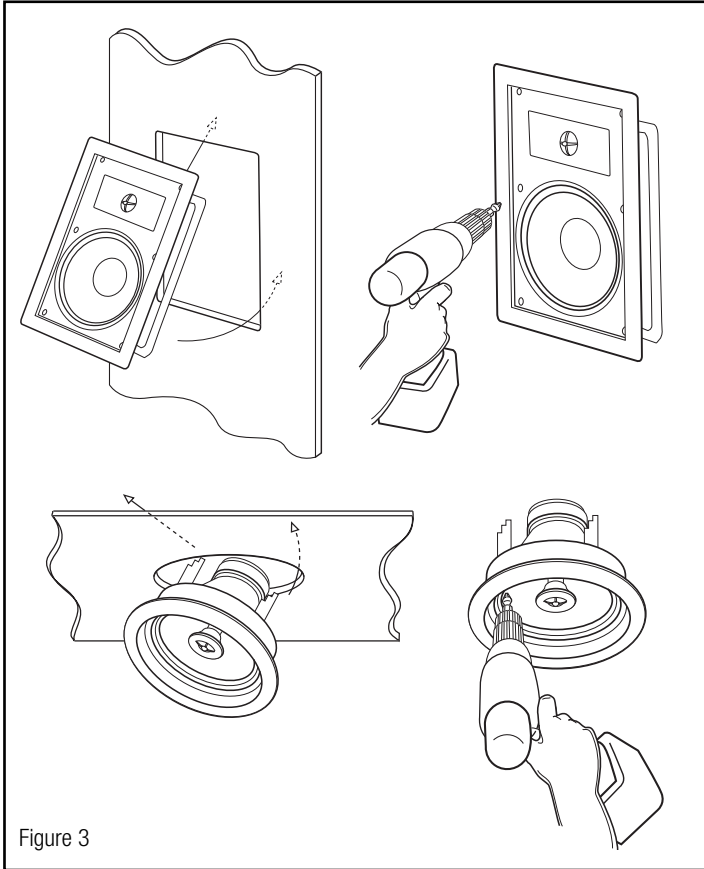


Figure 3

3. Attach the wire to the speaker using the wire's color coding or markings as a guide to maintain proper polarity.
4. For in-wall installation, loosely attach the metal ring to the speaker frame using the six machine thread screws included with the speaker. Insert the ring and speaker into the opening, level to suit and attach to the wall by tightening the six Phillips screws (Figure 3). The metal ring will "sandwich" the wall and frame together as they are tightened. (Klipsch new construction brackets make this simple if used prior to drywall installation.) For in-ceiling installation, insert the speaker into the opening attach to the ceiling by tightening the four Phillips screws that are attached to the "dogs" that will flip out and "sandwich" the wall and frame together as they are tightened. (Klipsch new construction brackets make this simple if used prior to drywall installation.)
5. At this point, you may paint the speaker grilles before attaching them to the speaker. Klipsch grilles are designed to accept most types of paint. Care should be taken to avoid excessive paint build-up in the grille perforations.
6. Press the grille into place.

Proof of purchase in the form of a bill of sale or receipted invoice, which is evidence that this product is within the Warranty period, must be presented or included to obtain Warranty service.

This Warranty is invalid if (a) the factory-applied serial number has been altered or removed from this product or (b) this product was not purchased from a KLIPSCH authorized dealer. You may call 1-800-KLIPSCH to confirm that you have an unaltered serial number and/or you purchased from a KLIPSCH authorized dealer.

This Warranty is only valid for the original purchaser and will automatically terminate prior to expiration if this product is sold or otherwise transferred to another party.

This Warranty does not cover cosmetic damage or damage due to misuse, abuse, negligence, acts of God, accident, commercial use or modification of, or to any part of, the product. This Warranty does not cover damage due to improper operation, maintenance or installation, or attempted repair by anyone other than KLIPSCH or a KLIPSCH dealer which is authorized to do KLIPSCH warranty work. Any unauthorized repairs will void this Warranty. This Warranty does not cover product sold AS IS or WITH ALL FAULTS.

REPAIRS OR REPLACEMENTS AS PROVIDED UNDER THIS WARRANTY ARE THE EXCLUSIVE REMEDY OF THE CONSUMER. KLIPSCH SHALL NOT BE LIABLE FOR ANY INCIDENTAL OR CONSEQUENTIAL DAMAGES FOR BREACH OF ANY EXPRESS OR IMPLIED WARRANTY ON THIS PRODUCT. EXCEPT TO THE EXTENT PROHIBITED BY LAW, THIS WARRANTY IS EXCLUSIVE AND IN LIEU OF ALL OTHER EXPRESS AND IMPLIED WARRANTIES WHATSOEVER, INCLUDING BUT NOT LIMITED TO, THE WARRANTY OF MERCHANTABILITY AND FITNESS FOR A PRACTICAL PURPOSE.

Some states do not allow the exclusion or limitation of incidental or consequential damages or implied warranties so the above exclusions may not apply to you. This Warranty gives you specific legal rights, and you may have other rights, which vary from state to state.

WARRANTY OUTSIDE THE UNITED STATES AND CANADA

The Warranty on this product if it is sold to a consumer outside of the United States or Canada shall comply with applicable law and shall be the sole responsibility of the distributor that supplied this product. To obtain any applicable warranty service, please contact the dealer from which you purchased this product, or the distributor that supplied this product.

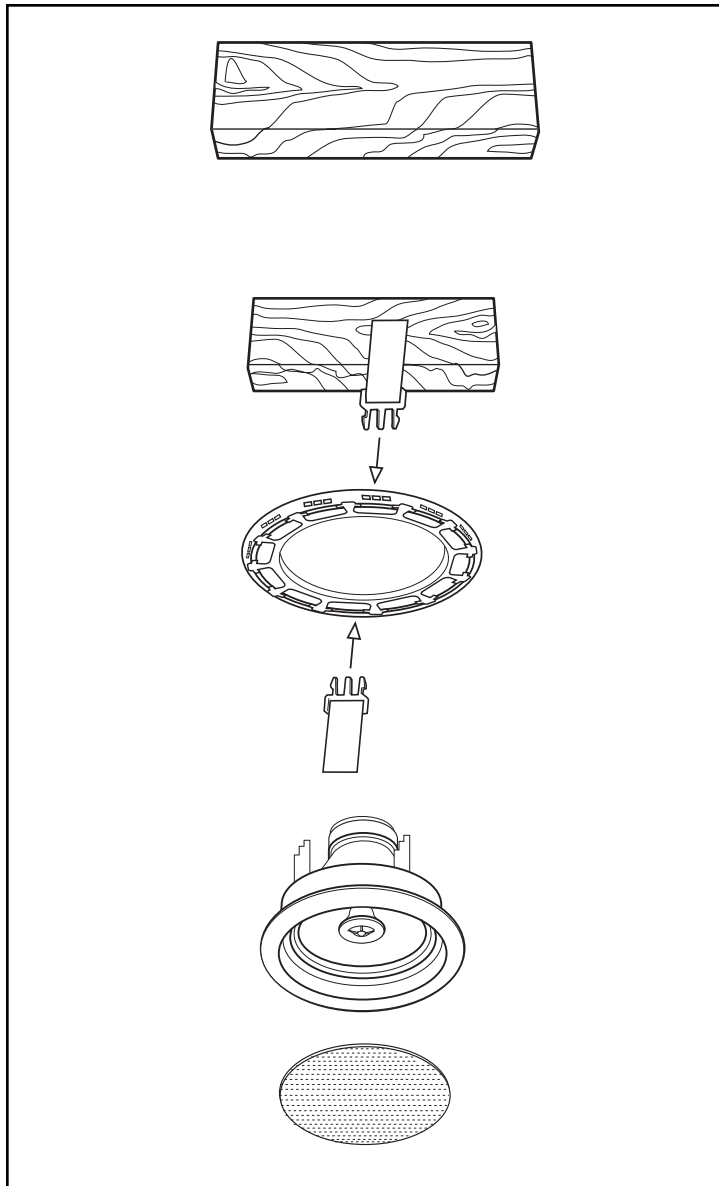
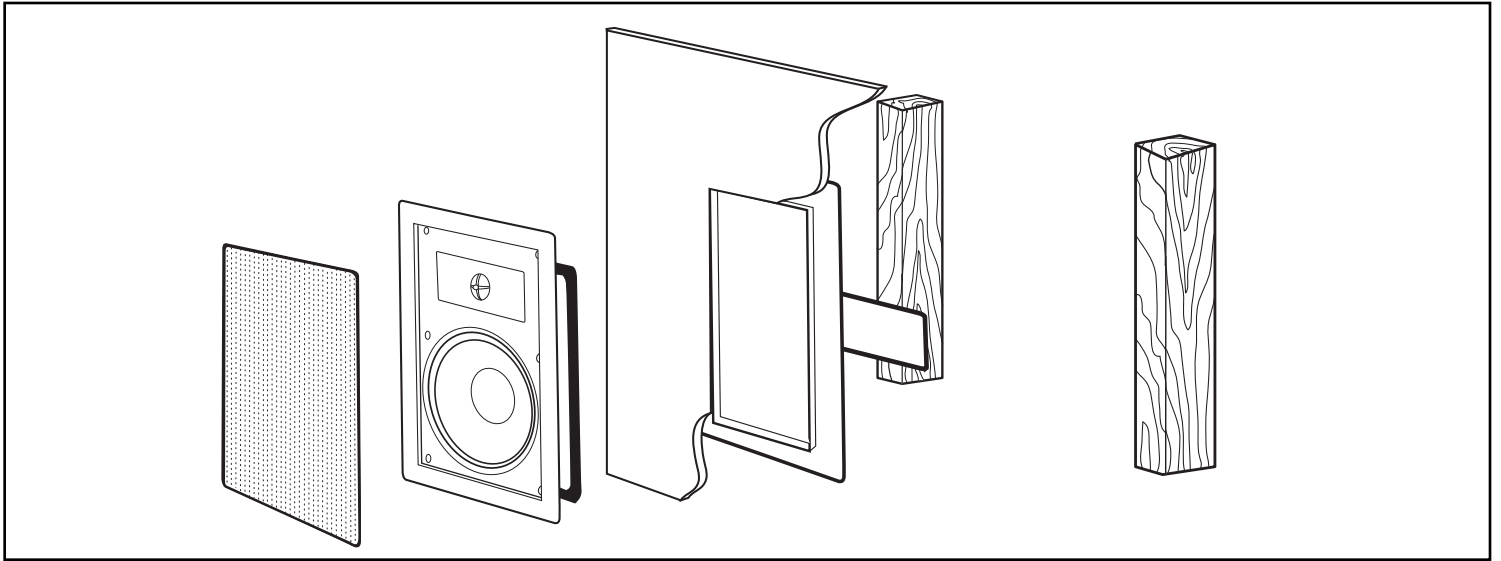
WARRANTY—U.S. AND CANADA ONLY

The Warranty below is valid only for sales to consumers in the United States or Canada.

KLIPSCH, L.L.C. ("KLIPSCH") warrants this product to be free from defects in materials and workmanship (subject to the terms set forth below) for a period of five (5) years from the date of purchase. During the Warranty period, KLIPSCH will repair or replace (at KLIPSCH's option) this product or any defective parts (excluding electronics and amplifiers). For products that have electronics or amplifiers, the Warranty on those parts is for a period of two (2) years from the date of purchase.

To obtain Warranty service, please contact the KLIPSCH authorized dealer from which you purchased this product. If your dealer is not equipped to perform the repair of your KLIPSCH product, it can be returned, freight paid, to KLIPSCH for repair. Please call KLIPSCH at 1-800-KLIPSCH for instructions. You will need to ship this product in either its original packaging or packaging affording an equal degree of protection.

ARCHITECTURAL SPEAKERS



3502 Woodview Trace, Suite 200
Indianapolis, Indiana 46268
1-800-KLIPSCH • www.klipsch.com

Free Manuals Download Website

<http://myh66.com>

<http://usermanuals.us>

<http://www.somanuals.com>

<http://www.4manuals.cc>

<http://www.manual-lib.com>

<http://www.404manual.com>

<http://www.luxmanual.com>

<http://aubethermostatmanual.com>

Golf course search by state

<http://golfingnear.com>

Email search by domain

<http://emailbydomain.com>

Auto manuals search

<http://auto.somanuals.com>

TV manuals search

<http://tv.somanuals.com>