

Product Registration Benefits:

- Register your product online at www.klipsch.com/register
- Your personal information will never be resold
- Future warranty benefits
- Klipsch will keep you up-to-date on new products

COMPLIANCE INFORMATION FOR THE EUROPEAN UNION

• **CE Marking:** This product has been tested and found to comply with the EMC Directive 2014/53/EU, the Low Voltage Directive 2014/35/EU, the RoHS Directive 2011/65/EU, and the REACH Directive 2002/61/EC. The CE mark is a declaration of conformity with these standards.

• **RoHS:** This product is RoHS compliant. It does not contain any of the restricted substances listed in the RoHS Directive. For more information, please visit www.klipsch.com/rohs.

• **WEEE:** This product is WEEE compliant. It is designed to be recycled and should not be disposed of as general waste. For more information, please visit www.klipsch.com/wEEE.

REGISTRATION INFORMATION FOR THE UNITED STATES

• **Warranty:** This product is covered by a limited warranty. For more information, please visit www.klipsch.com/warranty.

• **Product Support:** We offer a variety of product support options, including online chat, email, and phone support. For more information, please visit www.klipsch.com/support.

• **Product Updates:** We will keep you up-to-date on new products and updates. For more information, please visit www.klipsch.com/news.

REGISTRATION INFORMATION FOR THE UNITED STATES (continued)

• **Product Safety:** This product is designed to be safe and reliable. For more information, please visit www.klipsch.com/safety.

• **Product Compliance:** This product is designed to comply with all applicable regulations. For more information, please visit www.klipsch.com/compliance.

• **Product Quality:** We are committed to providing high-quality products and services. For more information, please visit www.klipsch.com/quality.

REGISTRATION INFORMATION FOR THE UNITED STATES (continued)

• **Product Safety:** This product is designed to be safe and reliable. For more information, please visit www.klipsch.com/safety.

• **Product Compliance:** This product is designed to comply with all applicable regulations. For more information, please visit www.klipsch.com/compliance.

• **Product Quality:** We are committed to providing high-quality products and services. For more information, please visit www.klipsch.com/quality.

REGISTRATION INFORMATION FOR THE UNITED STATES (continued)

• **Product Safety:** This product is designed to be safe and reliable. For more information, please visit www.klipsch.com/safety.

• **Product Compliance:** This product is designed to comply with all applicable regulations. For more information, please visit www.klipsch.com/compliance.

• **Product Quality:** We are committed to providing high-quality products and services. For more information, please visit www.klipsch.com/quality.

REGISTRATION INFORMATION FOR THE UNITED STATES

• **Warranty:** This product is covered by a limited warranty. For more information, please visit www.klipsch.com/warranty.

• **Product Support:** We offer a variety of product support options, including online chat, email, and phone support. For more information, please visit www.klipsch.com/support.

• **Product Updates:** We will keep you up-to-date on new products and updates. For more information, please visit www.klipsch.com/news.

REGISTRATION INFORMATION FOR THE UNITED STATES (continued)

• **Product Safety:** This product is designed to be safe and reliable. For more information, please visit www.klipsch.com/safety.

• **Product Compliance:** This product is designed to comply with all applicable regulations. For more information, please visit www.klipsch.com/compliance.

• **Product Quality:** We are committed to providing high-quality products and services. For more information, please visit www.klipsch.com/quality.

REGISTRATION INFORMATION FOR THE UNITED STATES (continued)

• **Product Safety:** This product is designed to be safe and reliable. For more information, please visit www.klipsch.com/safety.

• **Product Compliance:** This product is designed to comply with all applicable regulations. For more information, please visit www.klipsch.com/compliance.

• **Product Quality:** We are committed to providing high-quality products and services. For more information, please visit www.klipsch.com/quality.

REGISTRATION INFORMATION FOR THE UNITED STATES (continued)

• **Product Safety:** This product is designed to be safe and reliable. For more information, please visit www.klipsch.com/safety.

• **Product Compliance:** This product is designed to comply with all applicable regulations. For more information, please visit www.klipsch.com/compliance.

• **Product Quality:** We are committed to providing high-quality products and services. For more information, please visit www.klipsch.com/quality.

REGISTRATION INFORMATION FOR THE UNITED STATES

• **Warranty:** This product is covered by a limited warranty. For more information, please visit www.klipsch.com/warranty.

• **Product Support:** We offer a variety of product support options, including online chat, email, and phone support. For more information, please visit www.klipsch.com/support.

• **Product Updates:** We will keep you up-to-date on new products and updates. For more information, please visit www.klipsch.com/news.

REGISTRATION INFORMATION FOR THE UNITED STATES (continued)

• **Product Safety:** This product is designed to be safe and reliable. For more information, please visit www.klipsch.com/safety.

• **Product Compliance:** This product is designed to comply with all applicable regulations. For more information, please visit www.klipsch.com/compliance.

• **Product Quality:** We are committed to providing high-quality products and services. For more information, please visit www.klipsch.com/quality.

REGISTRATION INFORMATION FOR THE UNITED STATES (continued)

• **Product Safety:** This product is designed to be safe and reliable. For more information, please visit www.klipsch.com/safety.

• **Product Compliance:** This product is designed to comply with all applicable regulations. For more information, please visit www.klipsch.com/compliance.

• **Product Quality:** We are committed to providing high-quality products and services. For more information, please visit www.klipsch.com/quality.

REGISTRATION INFORMATION FOR THE UNITED STATES (continued)

• **Product Safety:** This product is designed to be safe and reliable. For more information, please visit www.klipsch.com/safety.

• **Product Compliance:** This product is designed to comply with all applicable regulations. For more information, please visit www.klipsch.com/compliance.

• **Product Quality:** We are committed to providing high-quality products and services. For more information, please visit www.klipsch.com/quality.

REGISTRATION INFORMATION FOR THE UNITED STATES

• **Warranty:** This product is covered by a limited warranty. For more information, please visit www.klipsch.com/warranty.

• **Product Support:** We offer a variety of product support options, including online chat, email, and phone support. For more information, please visit www.klipsch.com/support.

• **Product Updates:** We will keep you up-to-date on new products and updates. For more information, please visit www.klipsch.com/news.

REGISTRATION INFORMATION FOR THE UNITED STATES (continued)

• **Product Safety:** This product is designed to be safe and reliable. For more information, please visit www.klipsch.com/safety.

• **Product Compliance:** This product is designed to comply with all applicable regulations. For more information, please visit www.klipsch.com/compliance.

• **Product Quality:** We are committed to providing high-quality products and services. For more information, please visit www.klipsch.com/quality.

REGISTRATION INFORMATION FOR THE UNITED STATES (continued)

• **Product Safety:** This product is designed to be safe and reliable. For more information, please visit www.klipsch.com/safety.

• **Product Compliance:** This product is designed to comply with all applicable regulations. For more information, please visit www.klipsch.com/compliance.

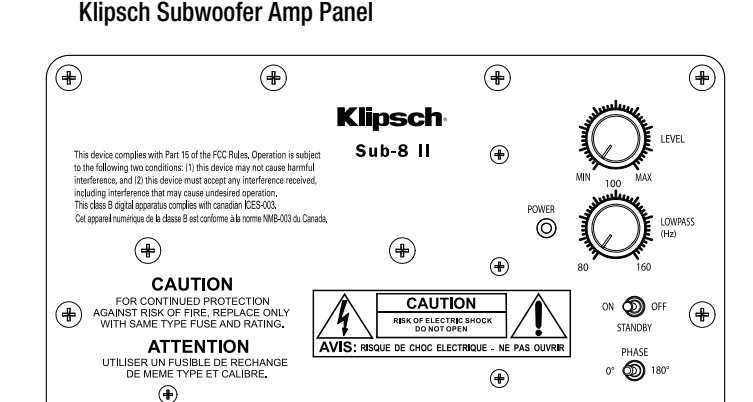
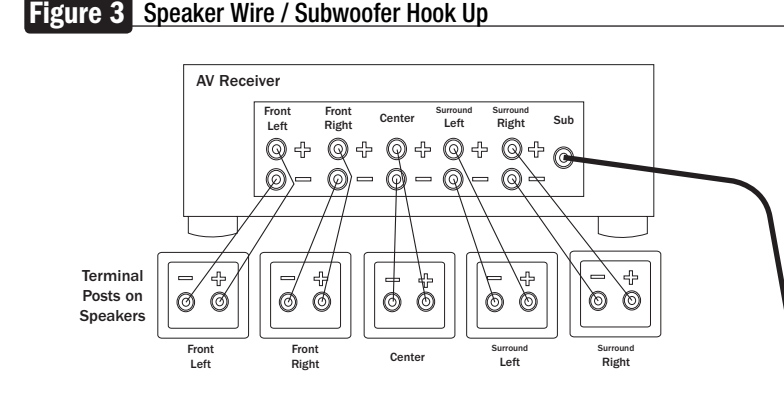
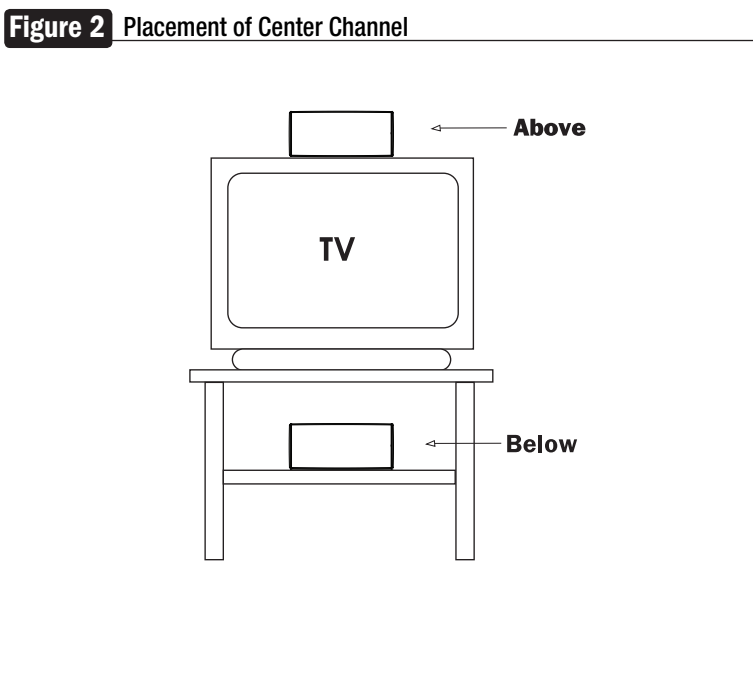
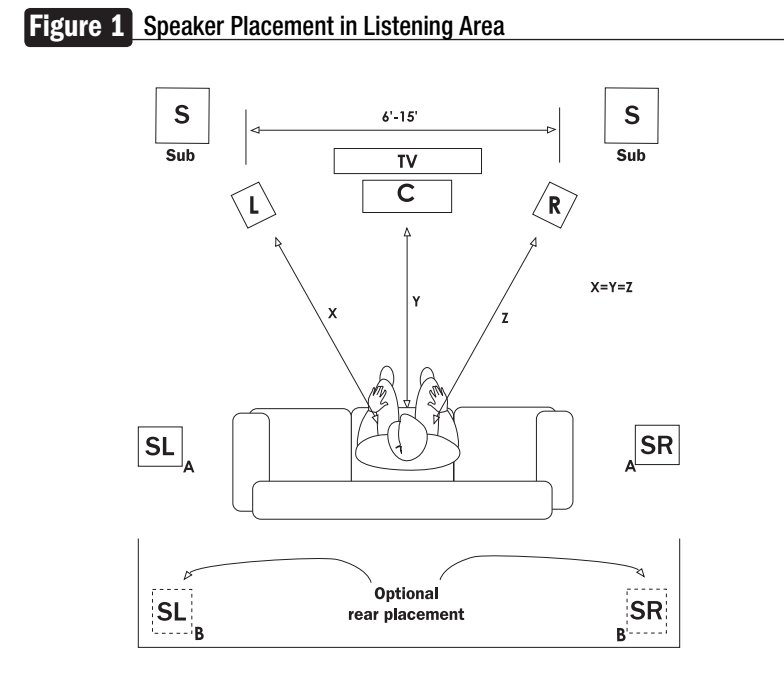
• **Product Quality:** We are committed to providing high-quality products and services. For more information, please visit www.klipsch.com/quality.

REGISTRATION INFORMATION FOR THE UNITED STATES (continued)

• **Product Safety:** This product is designed to be safe and reliable. For more information, please visit www.klipsch.com/safety.

• **Product Compliance:** This product is designed to comply with all applicable regulations. For more information, please visit www.klipsch.com/compliance.

• **Product Quality:** We are committed to providing high-quality products and services. For more information, please visit www.klipsch.com/quality.



NOTE: The A/V receiver/surround sound processor must be set to "Subwoofer On" and all speakers set to "small".

The suggested crossover point is 150 Hz. If 150 Hz is not available, use 120 Hz.

REMARQUE : Le processeur amphionique / récepteur audiovisuel doit être réglé sur « Subwoofer On » et toutes les enceintes sur « Small ». La fréquence de coupure suggérée du filtre est 150 Hz. Si 150 Hz n'est pas disponible, utiliser 120 Hz.

HINWEIS: Der A/V-Receiver/Surroundsound-Prozessor muss auf „Subwoofer On“ und alle Lautsprecher auf „Small“ (Klein) eingestellt werden. Die empfohlene Crossoverfrequenz beträgt 150 Hz. Wenn 150 Hz nicht verfügbar ist, wählen Sie 120 Hz.

NOTA: è necessario impostare il processore del suono surround/ricevitore audio-video su "Subwoofer On" e tutti i diffusori su "Small". Il punto di crossover suggerito è di 150 Hz; se questa frequenza non è disponibile, usare 120 Hz.

NOTA: O receptor de áudio/processor de som surround deve ser configurado para "Subwoofer On" (Subwoofer ligado) e todas as caixas acústicas devem ser configuradas para "small" (reprodução atenuada de graves). O ponto de crossover sugerido é 150 Hz. Se 150 Hz não estiver disponível, use 120 Hz.

NOTA: El procesador de sonido surround o receptor de AV se debe configurar en "subwoofer encendido" (Subwoofer On) y todos los altavoces se deben configurar en "pequeño" (Small). La frecuencia de crossover que se sugiere es 150 Hz. Si no se dispone de 150 Hz, fije la frecuencia en 120 Hz.

注意: 音頻/視頻接收機或環繞聲處理機必須設定在「低音喇叭在開機狀態 (Subwoofer On)」，並且所有的揚聲器設定在「小 (small)」。

For additional hook up options, please refer to your AV Receiver manual or klipsch.com

klipsch

3502 Woodview Trace
Indianapolis, IN 46268

A Wholly-Owned Subsidiary of Vox International

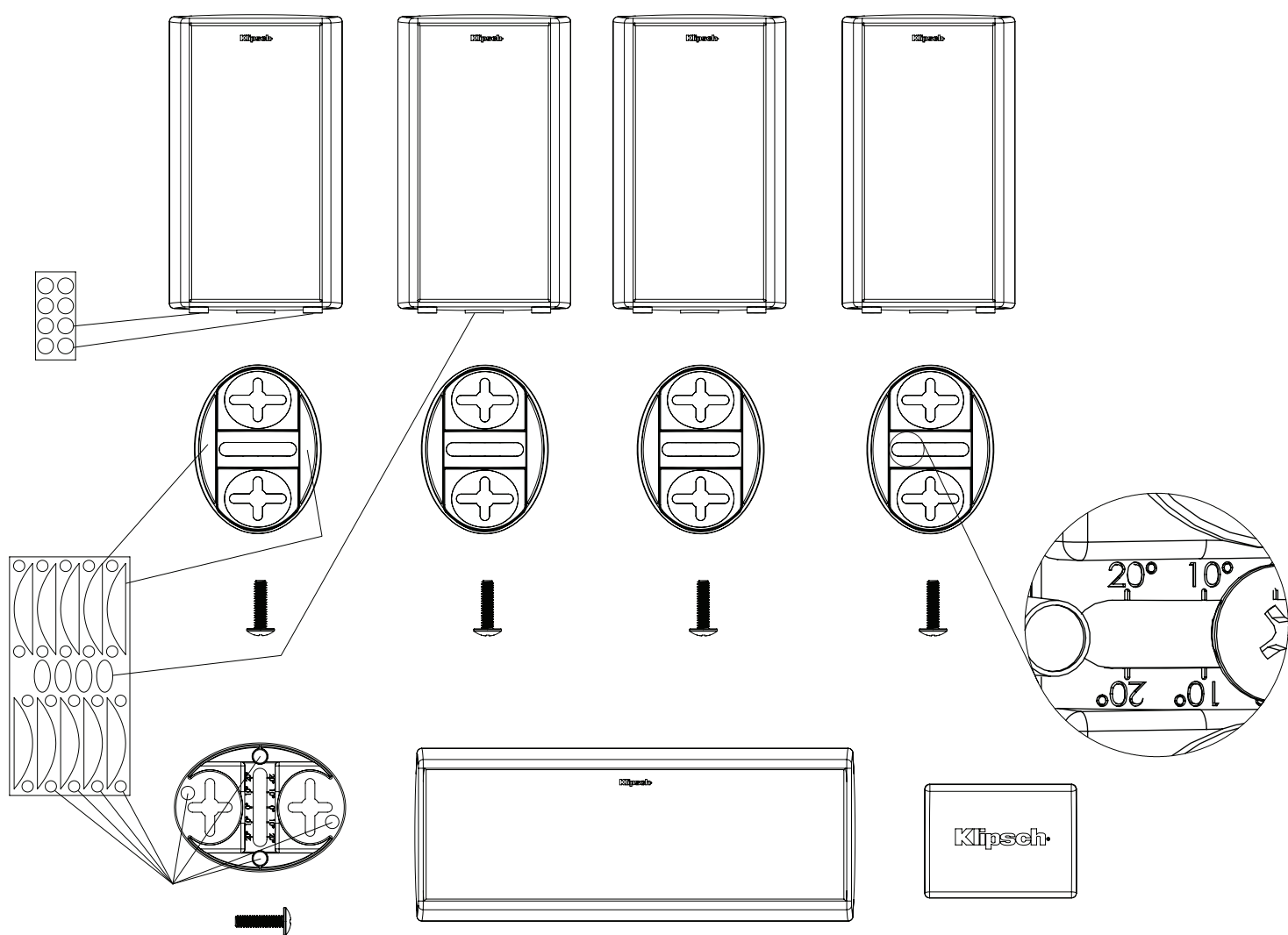
1-800-KLIPSCH • klipsch.com

© 2012 Klipsch Group, Inc.

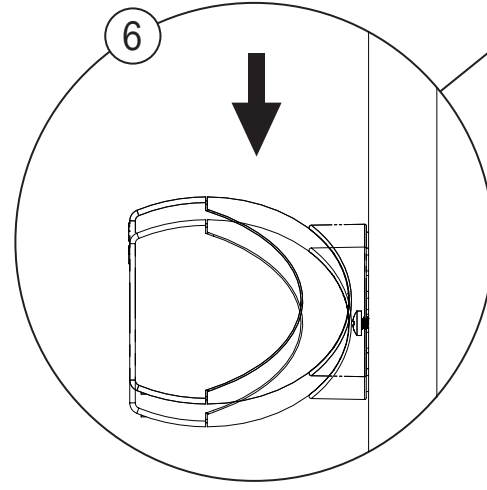
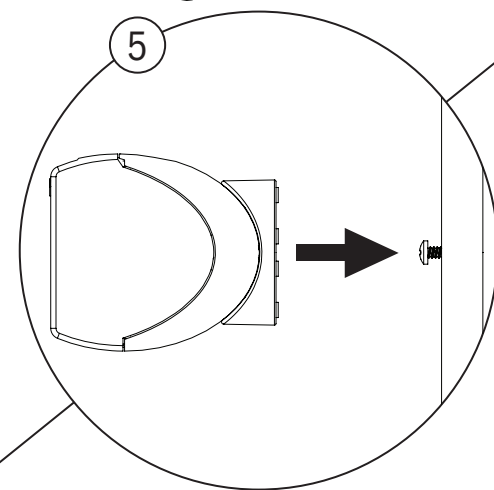
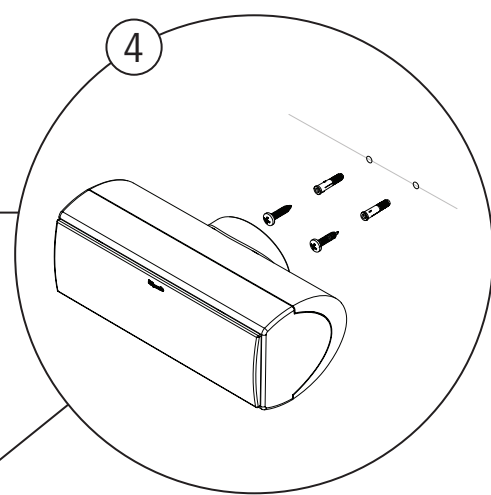
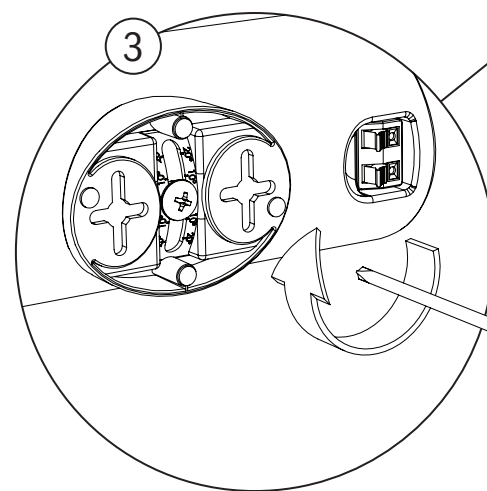
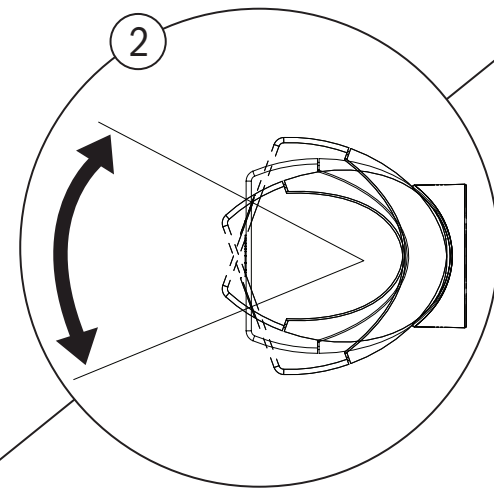
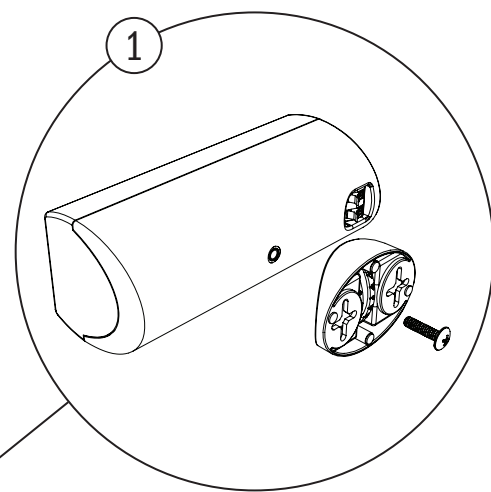
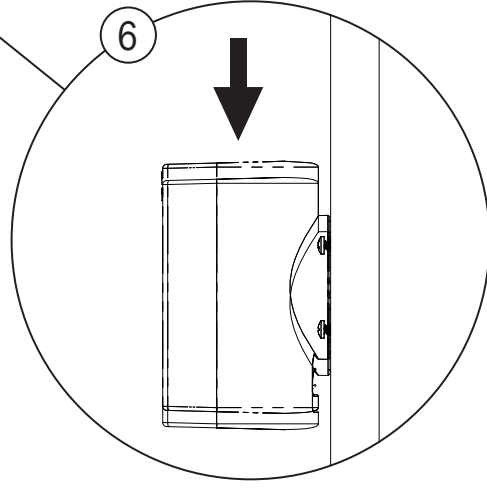
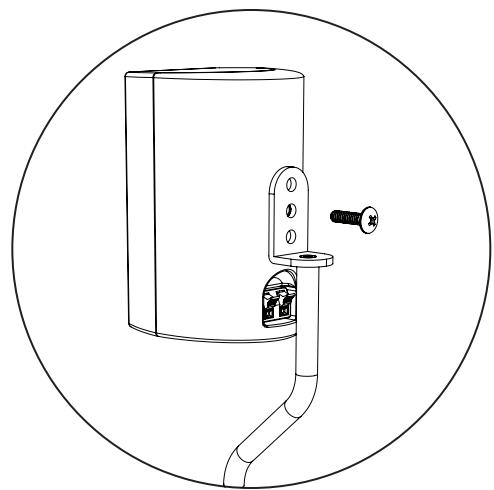
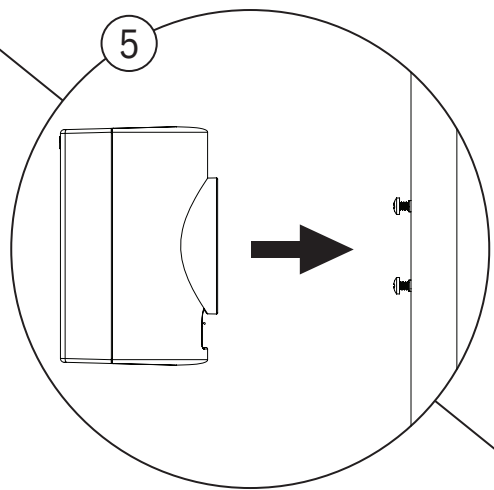
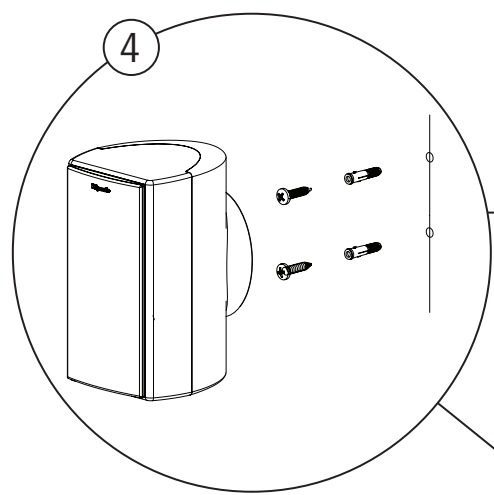
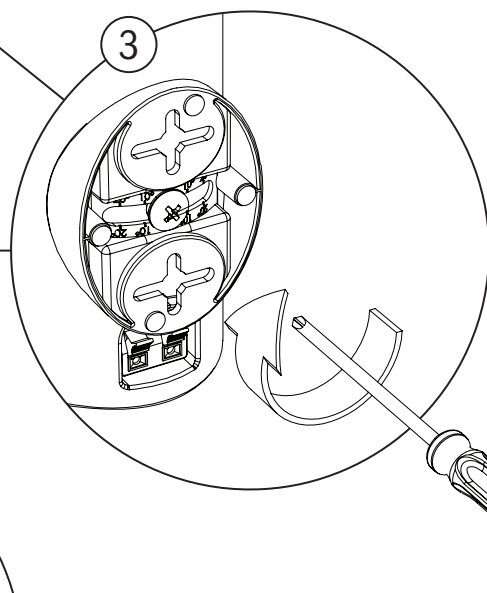
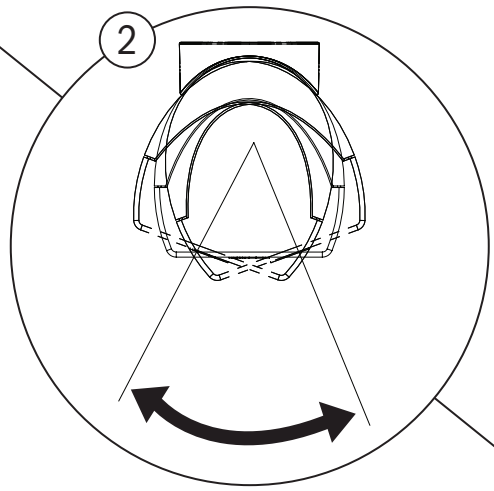
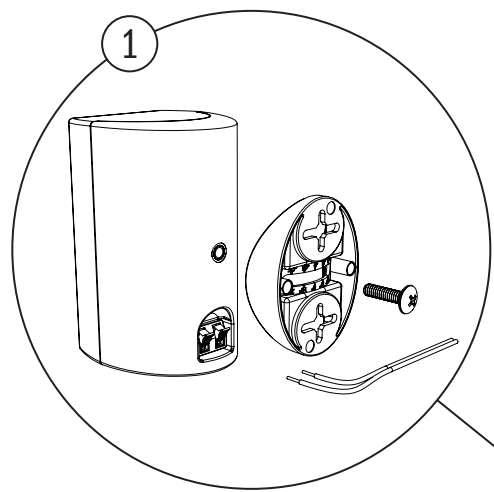
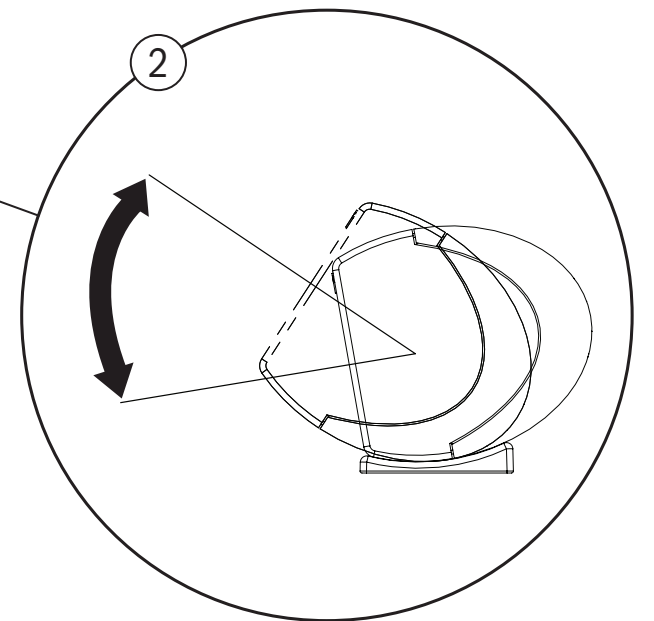
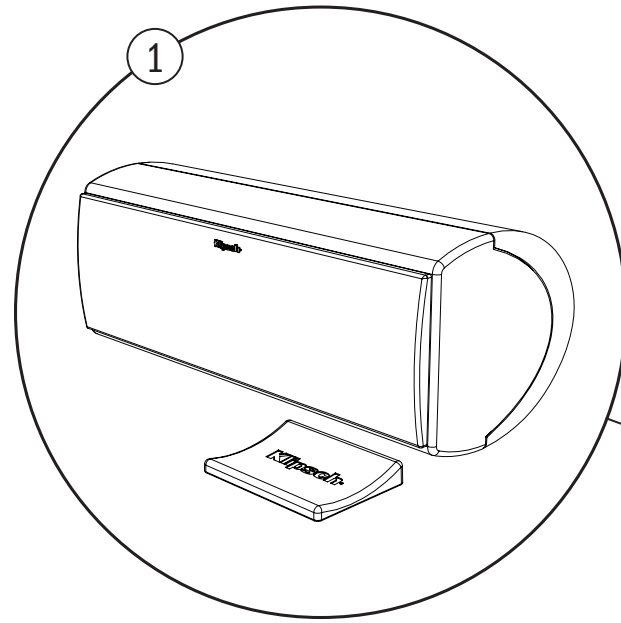
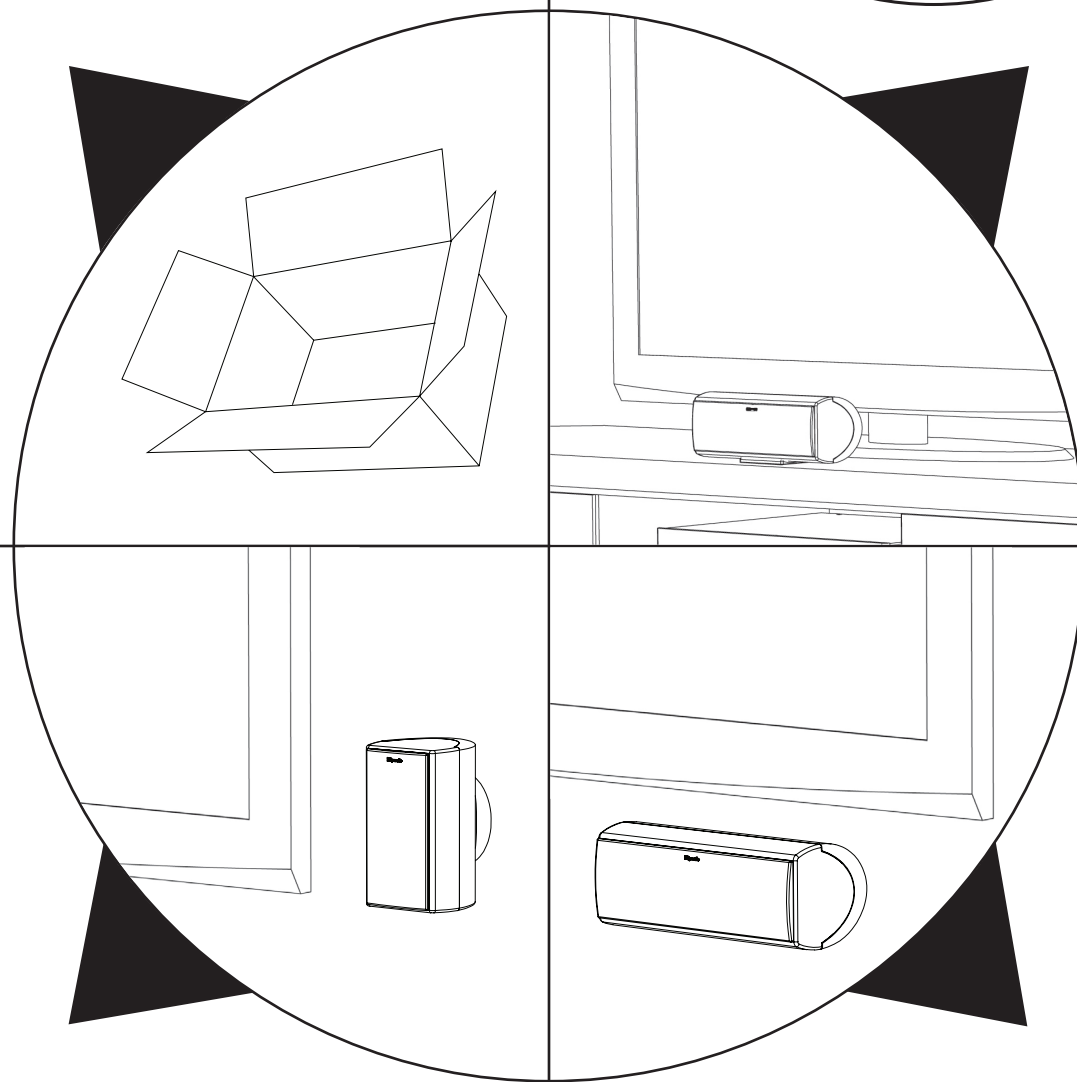
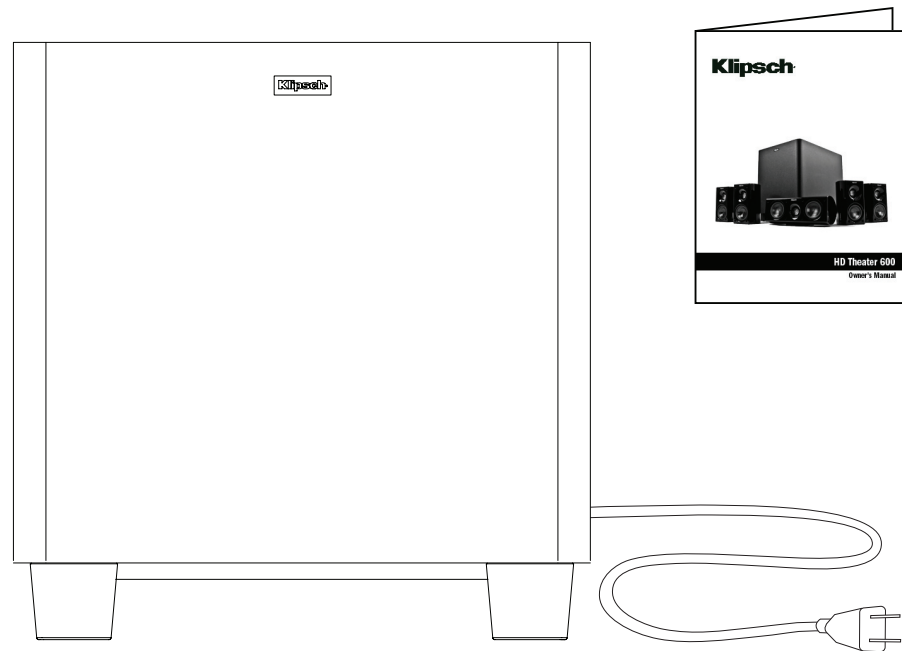
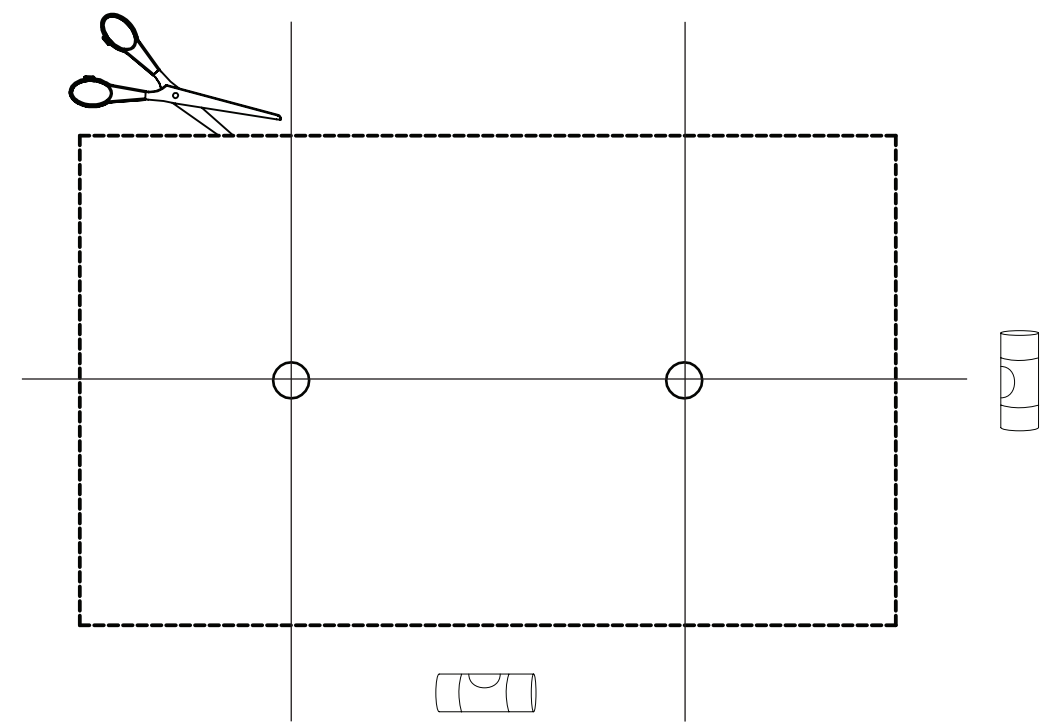
klipsch

Home Theater 600

Owner's Manual



Mounting Template
Modèle de montage
Montage-Vorlage
Montaggio Template
Modelo de montaje
Plantilla de montaje
安装模板



Free Manuals Download Website

<http://myh66.com>

<http://usermanuals.us>

<http://www.somanuals.com>

<http://www.4manuals.cc>

<http://www.manual-lib.com>

<http://www.404manual.com>

<http://www.luxmanual.com>

<http://aubethermostatmanual.com>

Golf course search by state

<http://golfingnear.com>

Email search by domain

<http://emailbydomain.com>

Auto manuals search

<http://auto.somanuals.com>

TV manuals search

<http://tv.somanuals.com>