

Warranty

Knoll Systems warrants the MR216 sold in the USA and Canada by authorized Knoll dealers to be free of defects in materials and workmanship. This warranty extends for three full years from the date of purchase by the original consumer. Any products returned to Knoll Systems and found to be defective by Knoll Systems within the warranty period will be repaired or replaced at Knoll Systems option, at no charge. Knoll Systems will not be responsible for the actual cost of installation or removal of the product, nor for any incidental or consequential damages. Some states do not allow the exclusion or limitation of incidental or consequential damages, so the above limitation may not apply to you. This warranty gives you specific legal rights. You may have additional legal rights that vary from state-to-state.

Specifications

Trigger Signal	12 VDC 150 mA maximum
Color	Black
Power Requirements	100-240 VAC 50/60 Hz
Power Connector	2.1mm center positive
Dimensions	2-1/2 x 1 x 2-5/8" (63 x 26 x 67 mm)
Audio Connectors	Gold RCA Inputs and Outputs
Trigger Connector	Mono 3.5mm

Knoll Systems

145 Tye Drive Point Roberts, WA 98281 USA
14-7163 Vantage Way, Delta BC V4G 1N1 Canada
Tel: (604) 940-1689, fax (855) 734-3363

www.knollsystems.com



MR216

Eco-System™ Trigger Instructions v1.0



Warning: To be installed and/or used in accordance with appropriate electrical codes and regulations.

Description: The Knoll Systems MR216 Eco-System™ Trigger allows amplifiers, subwoofers and other products to be activated or powered on when an audio signal is present. When the audio signal is lost the activation is stopped.

The most important feature of the Eco-System™ circuit in the MR216 is the energy or electrical savings that is delivered to the owner over a period of time. The typical home owner will see a savings of hundreds of dollars or more per year in actual electrical costs and that can be multiplied when taking into account the increased costs of air conditioning the home to extract unwanted heat produced by a products powered up and not in use.



Basic System Layout and Pre-Wiring

The MR216 can be used with amplifiers that have a trigger input to turn the amp on and off remotely. The MR216 trigger signal is a 12 volt DC (150 mA maximum) when an audio signal is detected by the MR216.

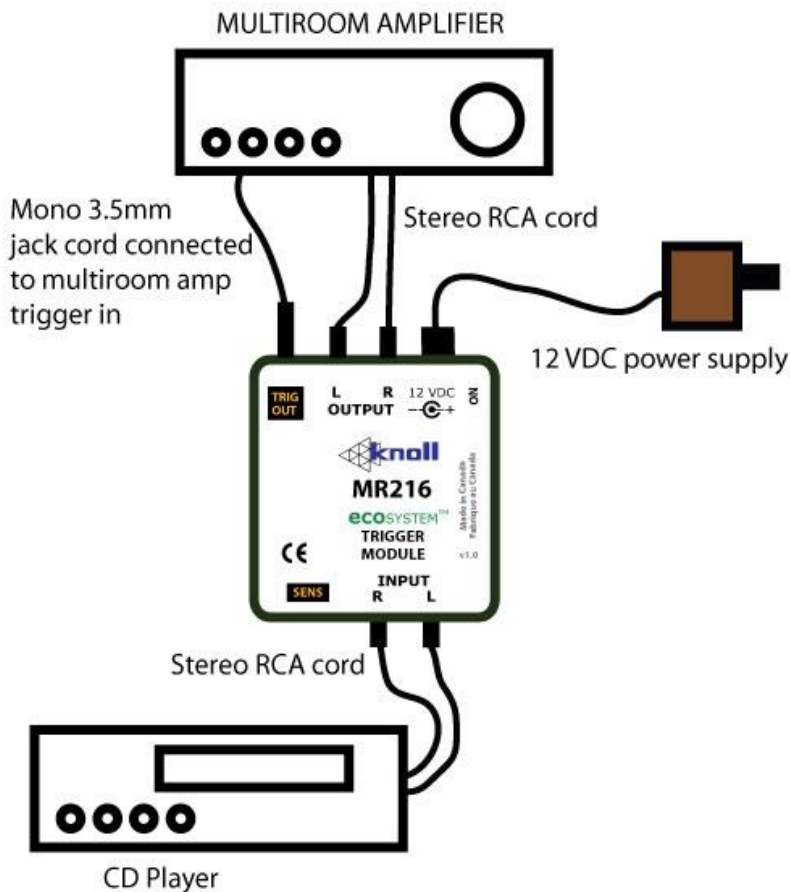
The MR216 is usually placed near the amplifier or multiroom amplifier. Connect the MR216 RCA jacks labelled "OUTPUT" to the stereo input of the amplifier with the trigger using a short as possible RCA stereo cable (an adaptor may be needed) and the included 3.5mm mono jack cord as shown in the example.

Connect the MR216 stereo jacks labelled "INPUT" to the stereo source (a CD player is shown in the example). Connect the MR216 included 12 VDC power supply and shown and plug it in.

Turn the CD player on and observe if the amplifier switches on. If it does not try adjusting the MR216 sensitivity pot labelled "SENS". After the source signal is switched off the MR216 should switch off the amplifier in about 20 seconds to 5 minutes. Adjusting the sensitivity may require a bit of experimenting. Ideally the amp should switch off about 2 minutes after the source signal is switched off.

Note: This product may contain trace amounts of lead that some states have deemed as harmful. Wash your hands after touching inside portions.

If you have any questions or concerns, please call and ask for audio technical support at 1 800 566 5579. The help line is open from 7:30 a.m. to 4:00 p.m., Monday to Friday, Pacific time.



Free Manuals Download Website

<http://myh66.com>

<http://usermanuals.us>

<http://www.somanuals.com>

<http://www.4manuals.cc>

<http://www.manual-lib.com>

<http://www.404manual.com>

<http://www.luxmanual.com>

<http://aubethermostatmanual.com>

Golf course search by state

<http://golfingnear.com>

Email search by domain

<http://emailbydomain.com>

Auto manuals search

<http://auto.somanuals.com>

TV manuals search

<http://tv.somanuals.com>