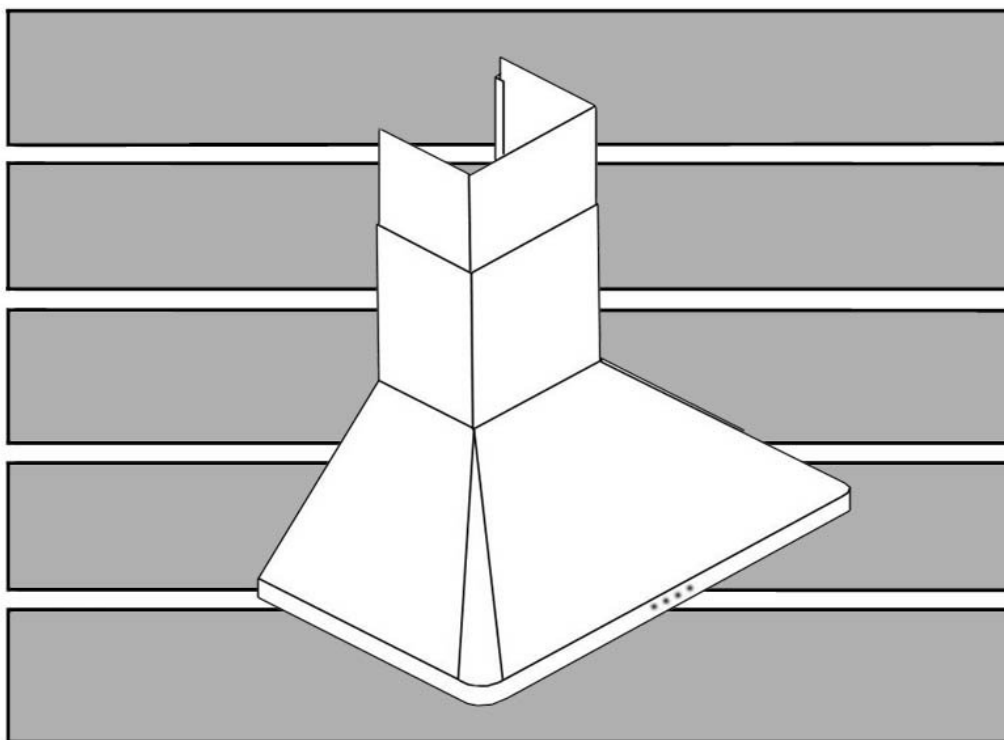


# **KOBE**® **KOBE Brand Range Hood**

**Model No. RA9430SQB  
RA9436SQB**

**RA-094 SERIES – 12” HEIGHT**



**INSTALLATION INSTRUCTIONS  
AND OPERATION MANUAL**

- READ AND SAVE THESE INSTRUCTIONS -

## CONTENTS

IMPORTANT SAFETY INSTRUCTIONS.....	1
COMPONENTS OF PACKAGE.....	3
INSTALLATION .....	4
OPERATION INSTRUCTIONS.....	8
MAINTENANCE .....	9
SPECIFICATIONS.....	11
MEASUREMENTS & DIAGRAMS.....	12
PARTS LIST .....	13
CIRCUIT DIAGRAM .....	15
TROUBLE SHOOTING .....	16
DISCLAIMER .....	17
WARRANTY.....	18
PRODUCT REGISTRATION .....	20

- READ ALL INSTRUCTIONS CAREFULLY BEFORE STARTING -

ALL WIRING MUST BE DONE BY A PROFESSIONAL AND IN ACCORDANCE WITH NATIONAL AND LOCAL ELECTRICAL CODES



## IMPORTANT SAFETY INSTRUCTIONS

- PLEASE READ THIS SECTION CAREFULLY BEFORE INSTALLATION -

**⚠WARNING:** TO REDUCE THE RISK OF FIRE, ELECTRIC SHOCK OR PERSONAL INJURY, OBSERVE THE FOLLOWING:

- 1) Installation and electrical wiring must be done by qualified professionals and in accordance with all applicable codes and standards, including fire-rated construction.
- 2) When cutting or drilling into wall or ceiling, be careful not to damage electrical wiring or other hidden utilities.
- 3) Ducted fans must be vented to the outside.
  - a) Before servicing or cleaning unit, open the light panel and SWITCH POWER OFF AT SERVICE PANEL.
  - b) Clean all grease laden surfaces frequently. To reduce the risk of fire and to disperse air properly, make sure to vent air outside. DO NOT vent exhaust air into wall spaces, attics, crawl spaces or garages.

NOTE - This warranty is invalid without an authorized agent's receipt or if unit is damaged due to misuse, poor installation, improper use, mistreatment, negligence or any other circumstances beyond the control of KOBE RANGE HOODS authorized agents. Any repair carried out without the supervision of KOBE RANGE HOODS authorized agents will automatically void the warranty.

- KOBE RANGE HOODS will not be held responsible for any damages to personal property or real estate or any bodily injuries whether caused directly or indirectly by the range hood.

**⚠WARNING:** TO REDUCE THE RISK OF PERSONAL INJURY IN THE EVENT OF A RANGE TOP GREASE FIRE:

- Keep all fan, baffle/spacer/filter/oil tunnel/oil container and grease-laden surfaces clean. Grease should not be allowed to accumulate on fan, baffle/spacer/filter/oil tunnel/oil container.
- Always turn hood ON when cooking.
- Use high settings on cooking range ONLY when necessary.
- Do not leave cooking range unattended when cooking.
- Always use cookware and utensils appropriate for the type and amount of food prepared.
- Use this unit only in the manner intended by the manufacturer.
- Before servicing, switch power off at service panel and lock service panel (if possible) to prevent power from switching on accidentally.
- Clean ventilating fan frequently.

### What to Do In The Event Of a Range Top Grease Fire

- SMOTHER FLAMES with a tight fitting lid, cookie sheet, or metal tray, and then turn off the burner. KEEP FLAMMABLE OR COMBUSTIBLE MATERIAL AWAY FROM FLAMES. If the flames do not go out immediately, EVACUATE THE AREA AND CALL THE FIRE DEPARTMENT or 911.
- NEVER PICK UP A BURNING PAN – You May Get Burned.
- DO NOT USE WATER, including wet dishcloths or towels – a violent steam blast will result.
- Use an extinguisher ONLY if:
  - a) You have a Class A, B, C extinguisher and know how to operate it.
  - b) The fire is small and contained in the area where it started.
  - c) The fire department has been called.
  - d) You can fight the fire with your back to an exit.

### What to Do If You Smell Gas

- Extinguish any open flame.
- Do not try to turn on the lights or any type of appliance.
- Open all doors and windows to disperse the gas. If you still smell gas, call the Gas Company and Fire Department right away.

## **⚠ CAUTION**

- 1) For general ventilation use only. Do not use to exhaust hazardous or explosive materials and vapors.
- 2) To reduce the risk of fire, use only metal ductwork. Sufficient air is needed for proper combustion and exhausting of gases through the flue (chimney) to prevent back drafting.
- 3) Follow the heating equipment manufacturer's guideline and safety standards such as those published by the National Fire Protection Association (NFPA), and the American Society for Heating, Refrigeration and Air Conditioning Engineers (ASHRAE), and code authorities.
- 4) Activating any switch on may cause ignition or an explosion.
- 5) Due to the size and weight of this hood, two people installation is recommended.

## **⚠ WARNING**



**ELECTRICAL SHOCK HAZARD – Can result in serious injury or death. Disconnect appliance from electric power before servicing. If equipped, the fluorescent light bulb contains small amounts of mercury, which must be recycled or disposed of according to Local, State, and Federal Codes.**

# COMPONENTS OF PACKAGE

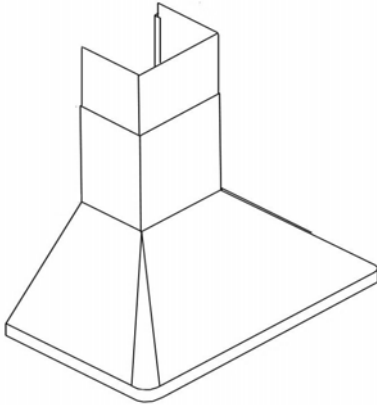
(Must keep all material for returns or refunds)

## Range Hood Box

Model No. RA9430SQB  
RA9436SQB

- {A} KOBE Range Hood – 1
- {B} Warranty Registration Card – 1
- {C} Instructions Manual – 1
- {D} Hood-Mounting Bracket – 2
- {E} Screws Package – 1

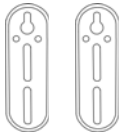
{A}



{B}  
{C}



{D}



{E}



M 4 x 8 mm (6 pcs)

\*Attached to Hood

- {F} Baffle Filter - 2 (for 30" hood)  
- 3 (for 36" hood)
- {G} Baffle Handle - 2 (for 30" hood)  
- 3 (for 36" hood)
- {H} Screws Package – 1

{F}



{G}



{H}



M 4 x 8 mm (4 pcs)

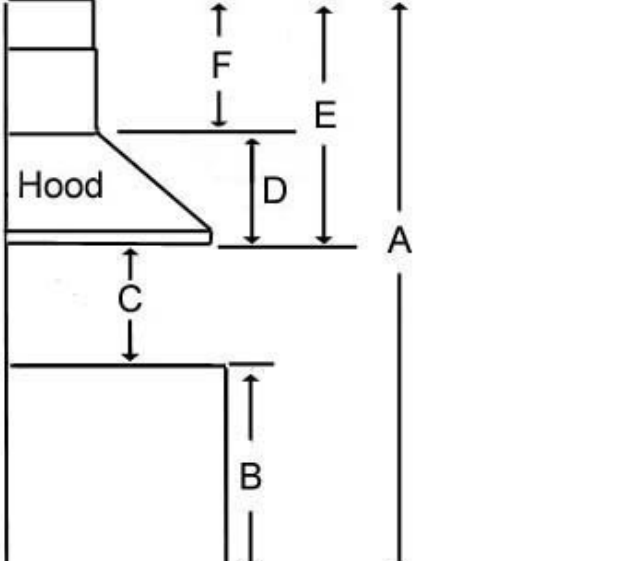
◆ FOR MORE INFORMATION, PLEASE VISIT OUR WEBSITE [www.KOBERangeHoods.com](http://www.KOBERangeHoods.com) OR CONTACT KOBE RANGE HOODS AT (626) 775-8880.

## INSTALLATION

PLEASE READ ENTIRE INSTRUCTIONS BEFORE PROCEEDING

Calculation before Installation

To calculate installation, please refer to TABLE 1. (All calculation in inches.)

TABLE 1	
A = Height of Floor to Ceiling B = Height of Floor to Counter Top (Standard: 36") C = Preferred Height of Counter Top to Hood Bottom (Recommended 27" to 30") D = Height of Hood E = Height of the Hood Installation [A - (B+C)] F = Height of Duct Cover [E - D]	 A cross-sectional diagram of a kitchen wall and ceiling. A counter top is shown at height B from the floor. A range hood is mounted on the wall, with its bottom edge at height C from the floor. The hood has a height of D. The distance from the floor to the ceiling is A. The hood is installed such that the top of the hood is at height E from the floor. A duct cover is shown above the hood, with a height of F from the top of the hood to the top of the duct cover. The hood is labeled "Hood".

### **⚠ SAFETY WARNING**

HOOD MAY HAVE VERY SHARP EDGES; PLEASE WEAR PROTECTIVE GLOVES IF REMOVING ANY PARTS FOR INSTALLING, CLEANING OR SERVICING.

**NOTE: BE CAREFUL WHEN USING ELECTRICAL SCREWDRIVER, DAMAGE TO THE HOOD MAY OCCUR.**

## Preparation before Installation

NOTE: TO AVOID DAMAGE TO YOUR HOOD, PREVENT DEBRIS FROM ENTERING THE VENT OPENING.

- Decide the location of the venting pipe from the hood to the outside. (Figure 1)
- A straight, short venting run will allow the hood to perform more efficiently.
- Try to avoid as many transitions, elbows, and long run as possible. This may reduce the performance of the hood.
- Temporarily wire the hood to test for proper operation before installing. Refer to step 8 & 9 and figure 8 on page 6.
- Important: Peel any protective film off the hood.
- Use duct tape to seal the joints between pipe sections.
- If necessary, prepare back wall frame with cross framing lumber for secure installation. Refer to Table 1 and measurements on Page 11 to decide the level of the lumber. (Figure 2)
- Loosen hood-mounting brackets at the back of the hood, adjust brackets and tighten screws as shown in Figure 3.
- If necessary, remove the rubber stand on the back of the hood and discard. (Figure 4)

## Hood Installation

CAUTION: If it is necessary to move the cooking range to install the hood, be sure to turn off the power on an electric range at the main electrical box. SHUT OFF THE GAS BEFORE MOVING A GAS RANGE.

1. Using references in Table 1 and measurements on Page 11, mark the leveling locations point for hood-mounting bracket on the wall.
2. Secure two mounting screws (not provided) to the wall, leaving an 1/8" space from the wall. (Figure 5)
3. Align the hood-mounting bracket to the mounting screws on the wall and hang hood into place.

Figure 1

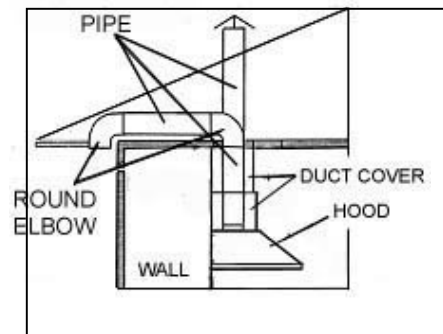


Figure 2

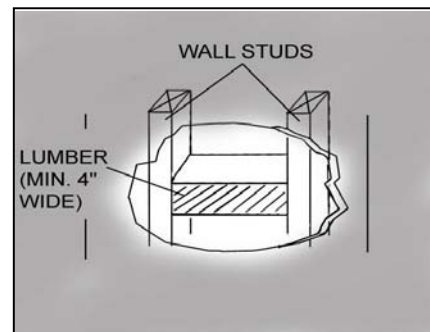


Figure 3

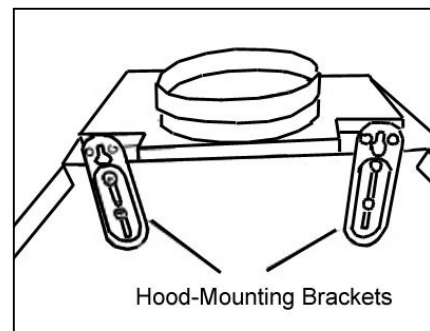
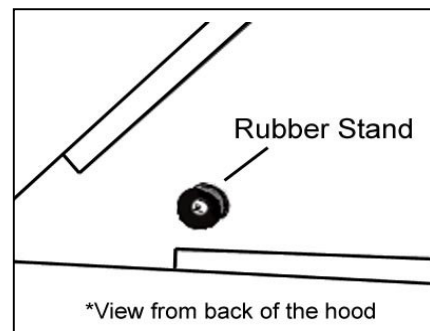


Figure 4



- Secure and tighten the mounting screws.  
CAUTION: MAKE SURE THE HOOD IS SECURE BEFORE RELEASING.

### Ductwork Installation

- Using Reference **E** from Table 1 and measurements on Page 11, mark the leveling point for duct cover-mounting bracket.
- Secure the duct cover-mounting bracket to the wall with two screws (not provided). (Figure 6) Make sure all screws are tightened. NOTE: Inner duct cover will cover the duct cover-mounting bracket.
- Use aluminum or steel pipe (not provided) to connect the plastic exhaust on the hood to the ductwork above. Use duct tape to ensure all joints are secure and air tight as shown in Figure 7.

### Wiring to Power Supply

#### **SAFETY WARNING**

RISK OF ELECTRICAL SHOCK. THIS RANGE HOOD MUST BE PROPERLY GROUNDED. MAKE SURE THIS IS DONE BY A SPECIALIZED ELECTRICIAN IN ACCORDANCE WITH ALL APPLICABLE NATIONAL AND LOCAL ELECTRICAL CODES. BEFORE CONNECTING WIRES, SWITCH POWER OFF AT SERVICE PANEL AND LOCK SERVICE PANEL TO PREVENT POWER FROM BEING SWITCHED ON ACCIDENTALLY.

- Connect three wires (black, white and green) to house wires and cap with wire connectors. Connect according to color: black to black, white to white, and green to green as shown in Figure 8
- Test the operation of the hood before performing the next step. Make sure power is supplied to the hood.

### Duct Cover Installation

- Slide inner duct cover up 2 inches before sliding entire duct cover onto the hood. (Figure 9)
- Align the inner duct cover to the duct cover-mounting bracket. Secure

Figure 5

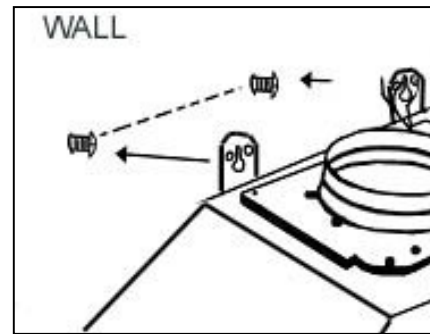


Figure 6

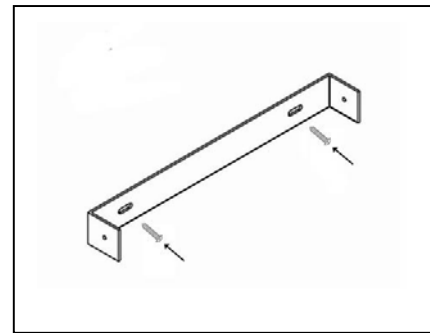


Figure 7

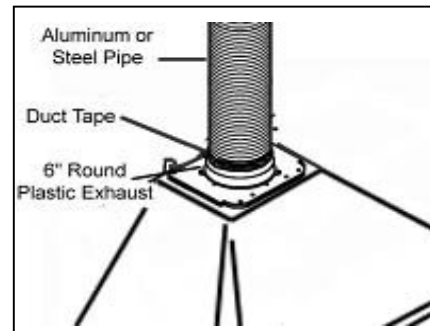
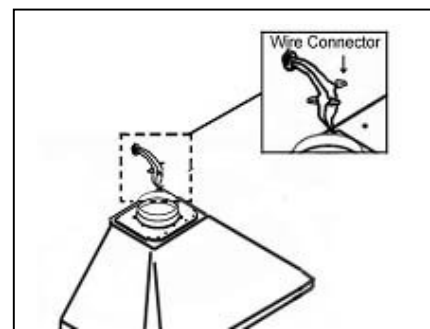


Figure 8





inner duct cover with two (4x8 mm) screws (provided).

12. Fasten outer duct cover to plastic plate on the hood with four (4x8 mm) screws (provided).

### Install Accessories

13. Place baffle filters underneath the hood. Refer to Figure 10.

### Final Assembly

14. Turn power ON in control panel. Check all lights and fan operation.

15. Leave this Installation Instructions and Operation Manual for the homeowner.

Figure 9

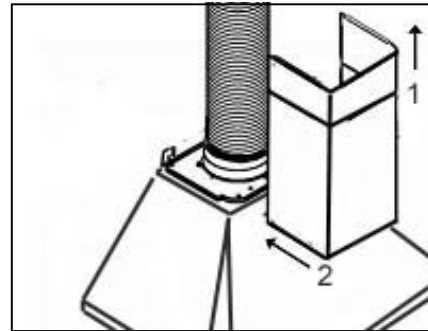
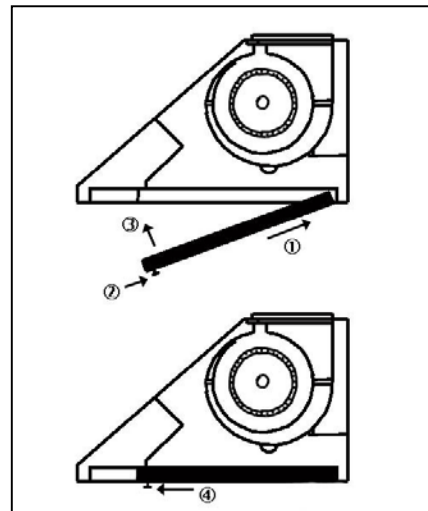


Figure 10



## OPERATION INSTRUCTIONS

This KOBE hood is equipped with four electronic controls with a 10-second standby startup & 30-second delay shutoff, one powerful centrifugal squirrel with baffle filters, and two bright 12-volt 20-watt halogen lights.

The four electronic controls are Light Control, Speed Control A, Speed Control B and the Power Control (On/Off). Refer to Figure 11.

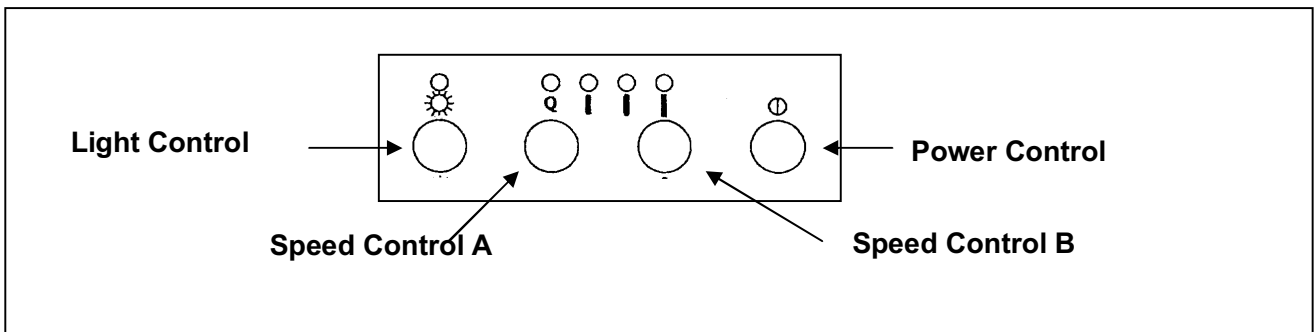


Figure 11

### TURN ON:

- **Press Power Control (On/Off) button once.**  
*(Note: If any control button is not pressed within 10 seconds, power will be automatically turned off).*
- **The KOBE hood will start on Low speed. Each press of the Speed Control button will cycle through the various speeds.**
- **Press Speed Control A button to cycle from Low, Medium, High, or QuietMode™. Press Speed Control B button to cycle from Low, QuietMode™, High or Medium.**  
*(Note: Speed Control A or B will operate both fans.)*
- **Press Light Control button to turn on halogen light.**

### TURN OFF:

- **Press Power Control (On/Off) button once, panel lights will flash and power will be completely shut off after 30 seconds.**  
**OR**
- **Press Power Control (On/Off) button twice, and all power will be completely shut off immediately.**
- **If only the lights are on, pressing Power Control (On/Off) button once will turn power off after 30 seconds.**

## MAINTENANCE

### SAFETY WARNING

NEVER PUT YOUR HAND INTO AREA HOUSING THE FAN WHILE THE FAN IS OPERATING.

#### Cleaning Hood Surface

 **CAUTION:** NEVER USE ABRASIVE CLEANERS, PADS, OR CLOTHS. DO NOT USE PAPER TOWEL ON STAINLESS STEEL.

For optimal operation, clean range hood and all baffle/spacer/filter/oil tunnel/oil container regularly.

\*\*\* Regular care will help preserve the appearance of the hood.

1. Use only mild soap or detergent solutions. Dry surfaces using soft cloth.
2. If hood looks splotchy (stainless steel hood), use a stainless steel cleaner to clean the surface of the hood. Avoid getting cleaning solution onto or into the control panel. Follow directions of the stainless steel cleaner. **Caution: Do not leave on too long as this may cause damage to hood finish.** Use soft towel to wipe off the cleaning solution, gently rub off any stubborn spots. Use dry soft towel to dry the hood.
3. DO NOT allow deposits to accumulate or remain on the hood.
4. DO NOT use ordinary steel wool or steel brushes. Small bits of steel may adhere to the surface and cause rusting.
5. DO NOT allow salt solutions, disinfectants, bleaches, or cleaning compounds to remain in contact with stainless steel for extended periods. Many of these compounds contain chemicals, which may be harmful. Rinse with water after exposure and wipe dry with a clean lint free cloth.

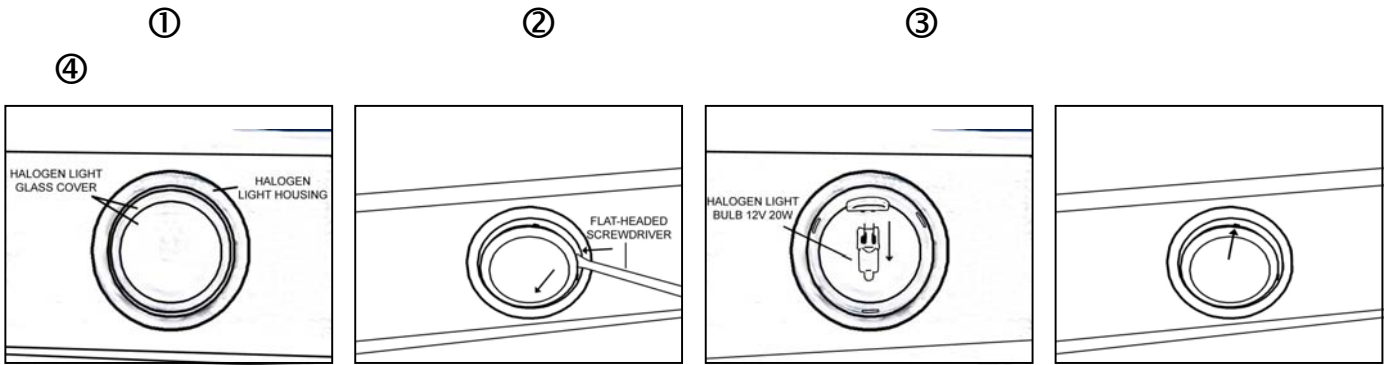
#### To Clean Baffle Filter

**CAUTION: DRAIN OIL FROM BAFFLE FILTERS BEFORE OIL OVERFLOW.**

1. Remove all the baffle filters.
2. Wash with warm soapy water. Dry completely before returning into place.  
(Note: Baffle Filters are top rack dishwasher safe.)

## Replacing Light Bulb

**CAUTION: HALOGEN LIGHT UNIT MAY BE HOT! WAIT UNTIL UNIT IS COOL.**



1. Make sure all controls are off, and range hood is unplugged.
2. Place the flat-headed screwdriver into the groove of the halogen light glass covering and the housing. ①
3. Pop out the halogen light glass covering. ②
4. Gently pull out the defective light bulb and discard. Light bulbs should be 12V 20W maximum. ③
5. Using a cloth, hold the new light bulb and push securely into light socket.
6. Return halogen light glass cover to the housing. ④
7. Turn range hood ON to test for operation.

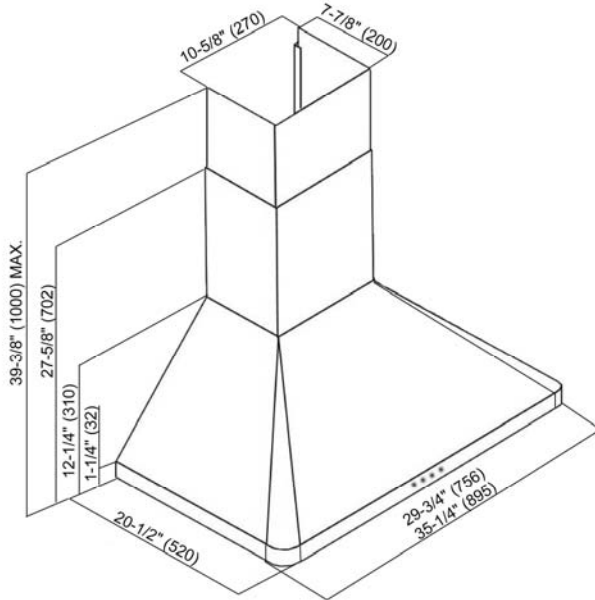
## SPECIFICATIONS

MODEL / SIZE	RA9430SQB / 30" RA9436SQB / 36"			
COLOR	Commercial Grade Stainless Steel			
CONSUMPTION AMPERE	/ RA9430SQB - 215W / 1.79A RA9436SQB - 215W / 1.79A			
VOLTAGE	120V 60Hz			
NUMBER OF MOTORS	1			
DESIGN	18-Gauge Seamless / Satin Finish			
FAN TYPE	Double Horizontal Squirrel Cage			
EXHAUST	Top 6" Round			
CONTROLS	Electronic Control (4 Buttons) – 10-Second Standby Startup 30-Second Delay Shutoff			
HALOGEN LIGHTS	RA9430SQB - 12V 20W x 2 RA9436SQB - 12V 20W x 2			
HOOD DIMENSION (W x D x H)	(RA9430SQB) 29-3/4" x 20-1/2" x 12-1/4" (RA9436SQB) 35-1/4" x 20-1/2" x 12-1/4"			
OPTIONAL ACCESSORIES (W x D x H)	1) Model No. RA0930DC 1-Piece Extension Duct Cover for 9'~10' Ceiling 2) Model No. RA0946DC 1-Piece Extension Duct Cover for 10'~11' Ceiling 3) Model No. SSP30 30" Stainless Steel Back Panel (30" x 1/10" x 32") 4) Model No. SSP36 36" Stainless Steel Back Panel (36" x 1/10" x 32")			
WEIGHT (lbs)		Net	Gross	
	(RA9430SQB)	42.0	62.0	
	(RA9436SQB)	46.0	68.0	
SPEED	QuietMode™	Low	Medium	High
Air Capacity (cfm)	280	420	580	760
Sone*	1.2*	2.0	2.8	4.5

\*One sone is equivalent to the sound of a refrigerator at 40 decibels.

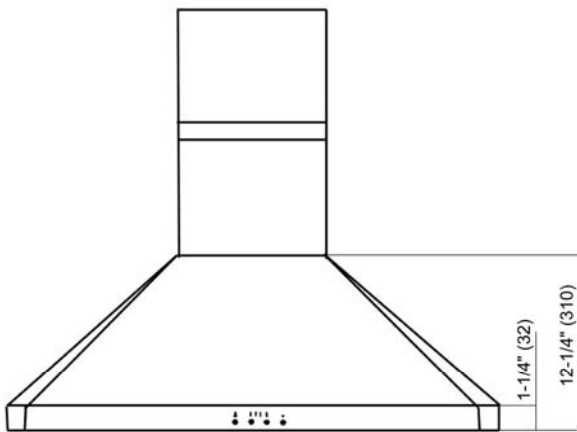
\*\*Specifications information is subject to change without notice.

# MEASUREMENTS & DIAGRAMS

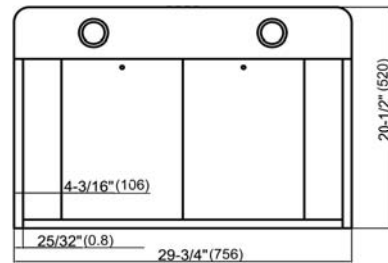


Front View

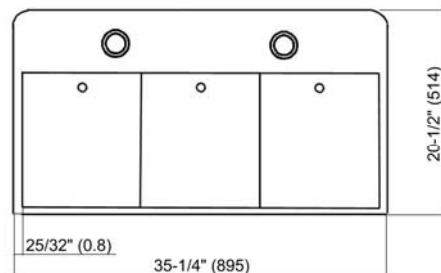
Bottom View



30" Hood



36" Hood

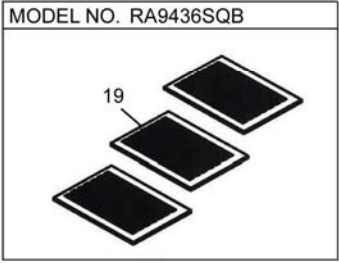
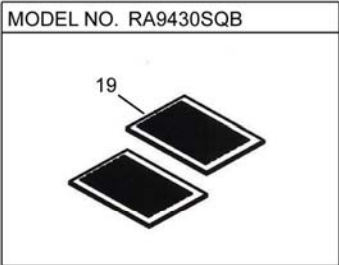
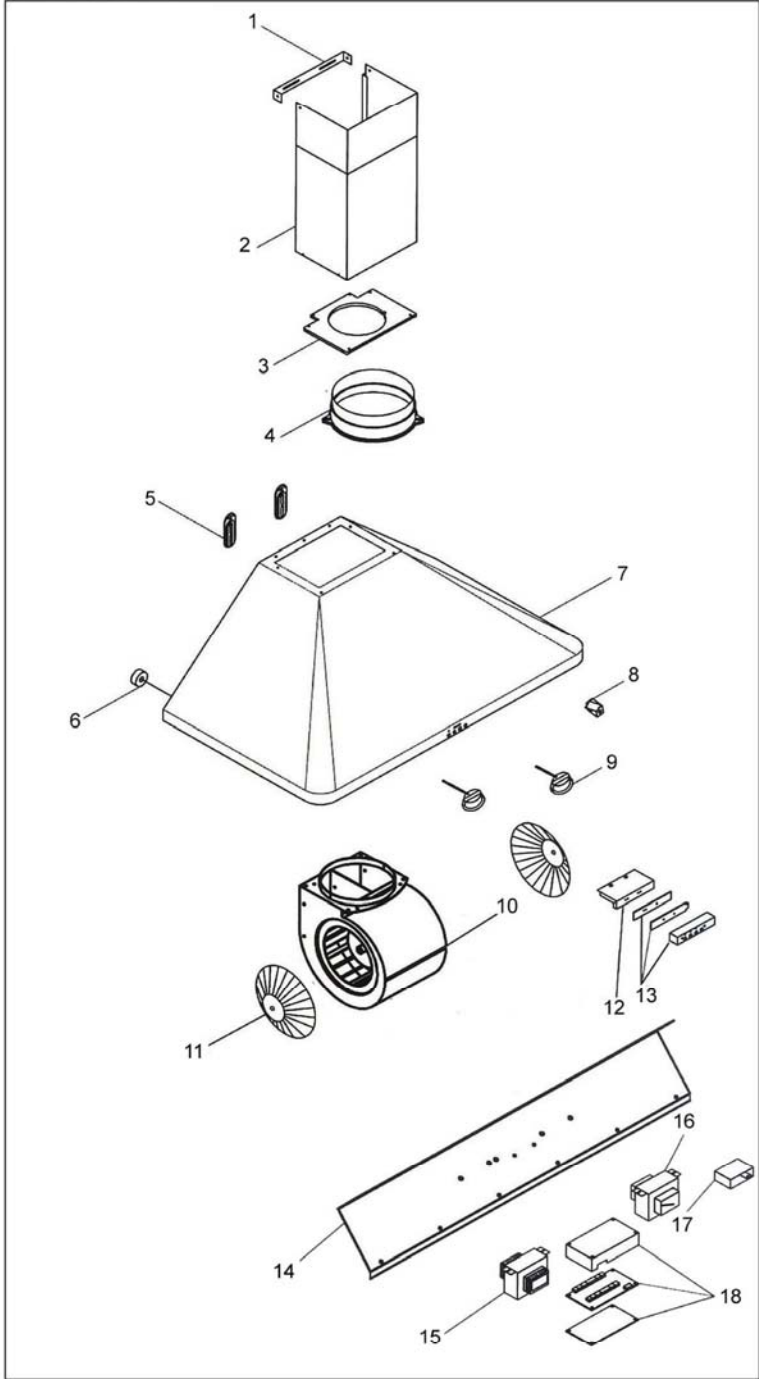


## PARTS LIST

MODEL        RA9430SQB  
 NO.:         RA9436SQB

NO.	DESCRIPTION	MODEL / PART NO. SIZE	
1	Duct Cover-Mounting Bracket		C1-0203-0092
2	Duct Cover	RA9236DC	B102-0192
3	Plastic Plate		C1-0506-0092
4	6" round Plastic Exhaust		C1-0505-0001
5	Hood-Mounting Bracket		C1-0221-0001
6	Rubber Stand		C1-0510-0101
7	Hood Casing	RA9430SQB	RA-2530-A
		RA9436SQB	RA-25900-A
8	Wiring Box		C1-0231-2590
9	Halogen Lights (12V 20W)		C1-0403-0001
10	Air Chamber & Motor		C1-0302-A120-01
11	Safety Screen		C1-0602-0103
12	Control Panel Support		C1-0207-2590
13	Control Panel		C1-0404-4001
14	Electric Component Support	RA9430SQB	C1-0201-2530
		RA9436SQB	C1-0201-2590
15	Transformer (Light)		C1-0402-0120-40
16	Transformer (Motor)		C1-0402-A120-01
17	Capacitor		C1-0401-0240-03
18	Processor Board		C1-0404-0401-B
19	Baffle Filter		B101-2590-15

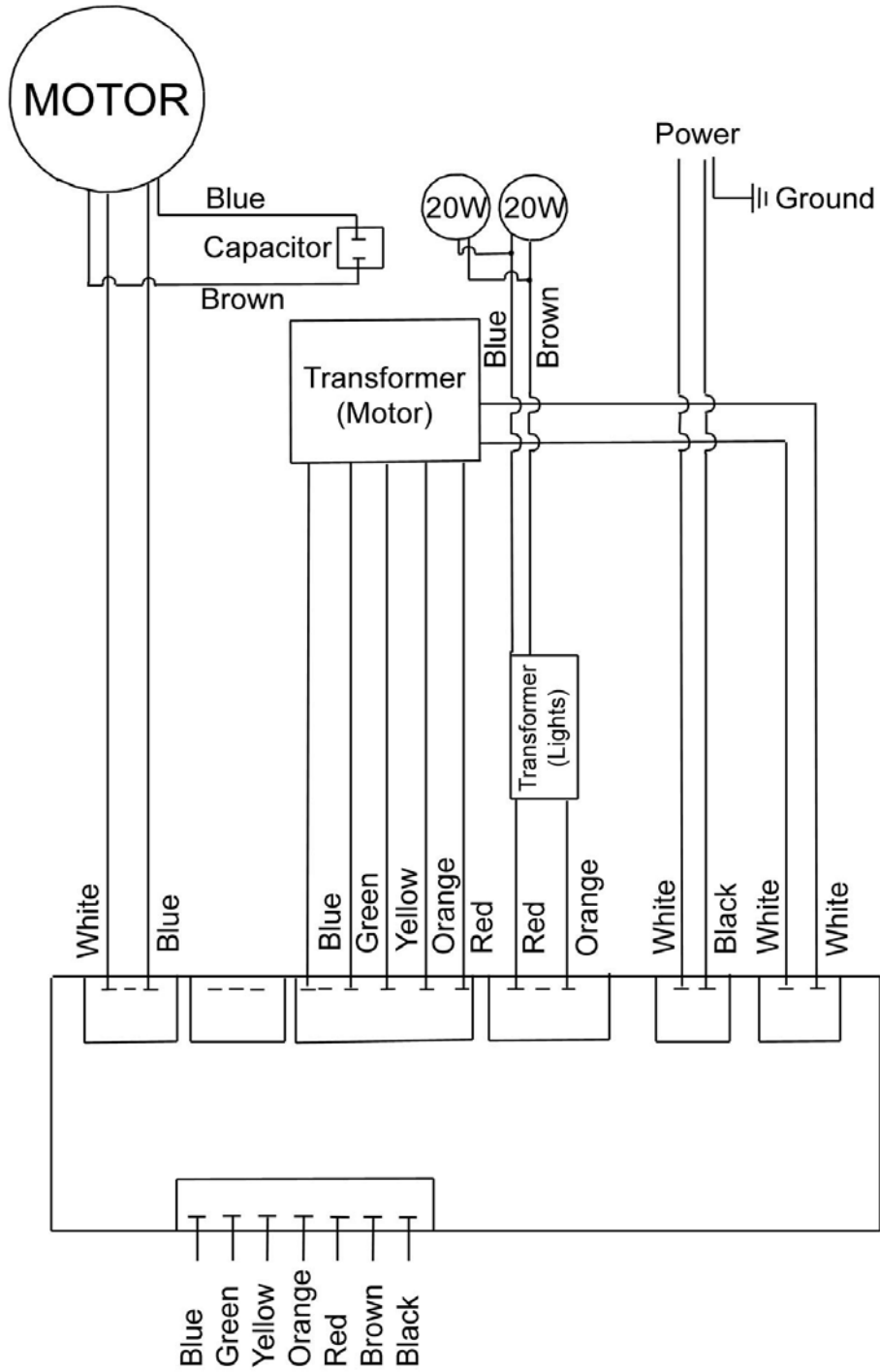
MODEL RA9430SQB  
NO.: RA9436SQB





# CIRCUIT DIAGRAM

MODEL RA9430SQB  
 NO.: RA9436SQB



## TROUBLE SHOOTING

Issue	Possible Cause	Solution
After Installation, both motors and lights are not working.	The power is not on.	Make sure the circuit breaker and the unit's power is ON. Use a voltage meter to check the power supply.
	The wire connection is not secure.	Check and tighten wire connection.
	The control panel and processor board wiring are disconnected.	Check wire continuity from control panel to processor board.
	The motor transformer is defective.	Check the power input and power output on the motor transformer. If it's needed, replace the motor transformer.
	The control panel and processor board is defective.	Replace the control panel or processor board.
Lights are working, but motor(s) is not.	The motor(s) is defective.	Replace the motor.
	The capacitor(s) is defective.	Replace capacitor(s).
	The control panel or processor board is defective.	Replace the control panel or processing board.
The range hood is vibrating.	The blower system is not secure.	Tighten the turbine impeller/squirrel cage and air chamber.
	The turbine impeller/squirrel cage is not balanced.	Replace the turbine impeller/squirrel cage.
	Hood is not secured in place.	Check the installation of hood, tighten the mounting bracket.
The motor is working, but the lights are not working.	Halogen Light bulb(s) is defective.	Try placing the trouble light bulb(s) to a working socket, if the bulb(s) still doesn't work; replace the halogen light bulb(s).
	The light wiring(s) is loose.	Check wire continuity from processor board to light transformer to halogen light housing(s).
	Light transformer is defective.	Check power input and power output on the light transformer. If it's needed, replace the light transformer.
	The control panel or processor board is defective.	Replace the control panel or processing board.
The range hood is not venting out correctly.	The range hood is installed outside of the manufacture recommended clearance.	Adjust the clearance between the range hoods and cook top to 27" to 30". For Island range hood, the clearance between the range hoods and cook top is 30" to 36".
	There is no make-up air inside the house.	Open the window to enhance the performance of the range hood by creating a sufficient make-up air.
	Obstacle blocking the pipe work.	Remove all obstacles from the duct work.
	The pipe size is smaller than the suggested pipe size.	Change the ducting according to the manufacture suggestion.
Cold air is coming into the home.	The pipe connection is not properly sealed.	Check the pipe installation.
	The damper is not properly installed or is missing from the installation.	Check the damper installation.
	The damper is not installed.	By installing the damper, it will help to eliminate air backflow.

## DISCLAIMER

CAREFULLY INSPECT ALL ITEMS FOR DAMAGES BEFORE ACCEPTING DELIVERY. NOTE ANY DAMAGES ON THE FREIGHT BILL OR EXPRESS RECEIPT. REQUEST NAME AND SIGNATURE OF THE CARRIER'S AGENT AND KEEP COPY TO SUPPORT YOUR CLAIM.

Upon acceptance of items, owner assumes responsibility for its safe arrival. Report damages to the carrier and file a claim immediately. Failure to do so may result in the denial of your claim. The carrier will furnish you with necessary forms for filing a claim.

DAMAGES CAUSED DURING TRANSIT ARE NOT COVERED UNDER OUR WARRANTY.

PLEASE INSPECT CONTENTS OF PACKAGE(S) CAREFULLY UPON RECEIVING!

We must be notified in writing of any damages and/or missing parts within the allocated days upon your receipt of package(s). Contact your local KOBE dealer or distributor or call KOBE for the time limit.

CLAIMS WILL NOT BE ACCEPTED AFTER THE ALLOCATED DAYS.

NOTE: ITEMS WERE THOROUGHLY TESTED AND CAREFULLY PACKED IN OUR FACTORY BEFORE SHIPPING.

Products must be returned in good working condition with ALL original parts and documentation packed in ALL original cartons, fillers and shipping cartons. A restocking fee of 25% will be charged for all approved return(s).

EXCHANGES OR RETURNS MAY NOT BE ACCEPTED IF ANY PACKAGING IS MISSING.

**MAKE SURE TO INSPECT THE HOOD FOR DAMAGES AND DEFECTS BEFORE INSTALLATION.** Appearance flaws of the hood found after installation and not affecting hood performance is not covered under our warranty for returns or exchanges. Service visits not covered under warranty will carry a service charge.

Before Installation: Return for exchange or refund (please see above for acceptable returns).

After Installation: **NO** exchange or refund.

# WARRANTY

## WARRANTY CERTIFICATE

KOBE Range Hoods, Inc. warrants all products manufactured or supplied by it to be free from defects in workmanship and materials. Its obligations pursuant to this warranty are limited to a period of two years from the date of purchase and to the repair or replacement at its option and subject to the terms and conditions stated below, of any component part, which its examination shall disclose to be so defective.

### TWO-YEAR WARRANTY SERVICE PERIOD

Any covered failure occurring within two years of original purchase arising from defective workmanship or material in manufacture will be repaired (or at our discretion, replaced) free of charge by an authorized KOBE Range Hoods Agent or KOBE Range Hoods as applicable. Keep proof of purchase (or original invoice) handy for inspection.

If the range hood is sold by the original purchaser during the warranty period the new owner is protected until expiration of the original purchaser's warranty.

### CONDITIONS

The following conditions apply only in relation to the warranty expressly given in this certificate.

- 1) This warranty applies only:
  - a) within U.S.A. and Canada.
  - b) to range hoods used for PRIVATE SINGLE FAMILY USE (if used for COMMERCIAL or MULTIPLE FAMILY USE or other purposes, warranty will be voided).
- 2) Repair of any fault to be provided under this warranty shall not be provided:
  - a) if the identification number attached to the range hood has been altered, rendered illegible or removed;
  - b) if notice of the defect has not been given within the period applicable;
  - c) for failure of light bulbs or heat lamps;
  - d) for physical damage;
  - e) for surfaces damaged by use of improper chemical cleaning agents;
  - f) if the appliance has been:
    - i) subject to misuse, abuse, negligence, accident, incorrect installation or failure to follow the operating instructions;
    - ii) connected to improper, inadequate or faulty electricity service or exhaust ducts, flues or duct cover, or operated using incorrect or contaminated lubricants;
    - iii) installed, maintained or operated otherwise than in accordance with the instructions furnished by KOBE Range Hoods including the improper use of detergents, bleaches, or cleaners.
  - g) for damage to range hood during transit, delivery, installation or removal;
  - h) for damage by or resulting from attempted repairs conducted by anyone other than our Authorized Service Agent.
  - i) noise or vibration caused by improper installation of range hood and/or damper.

- 3) The purchaser shall be responsible for any expenses involved in making the range hood readily accessible for servicing and where the range hood is installed outside the main sales territory of the retailer or service territory of the nearest approved KOBE Range Hoods Agent as applicable, for any traveling expenses and any costs of transporting the range hood or parts thereof to and from the dealer or Service Agent
- 4) The purchaser must produce proof of purchase together with this warranty certificate when making the claim.
- 5) Damages caused during shipment are not covered under our warranty.

### CONSEQUENTIAL DAMAGE

The warrantor is not responsible for any consequential damage. SOME STATES DO NOT ALLOW THE EXCLUSION OF CONSEQUENTIAL DAMAGE SO THE ABOVE EXCLUSION MAY NOT APPLY TO YOU.

### IMPLIED WARRANTIES/STATE LAW

Any implied warranties, including the implied warranty of merchantability and fitness for purpose, imposed on the sale by the laws of the state of sale are limited to two year from the date of original purchase. Some states do not allow limitations on the duration of implied warranties. This warranty gives you specific legal rights, and may also have rights, which vary from state to state.

### SERVICE

For service contact:

KOBE Range Hoods  
11775 Clark Street  
Arcadia, CA 91006  
U.S.A.  
Tel: (626) 775-8880  
Email: [customer.service@KOBERangeHoods.com](mailto:customer.service@KOBERangeHoods.com)  
Website: [www.KOBERangeHoods.com](http://www.KOBERangeHoods.com)

## PRODUCT REGISTRATION

### Register Your Product!

Any covered failure occurring within two years of original purchase arising from defective workmanship or material in manufacture will be repaired or at our option the unit will be replaced free of charge by an authorized KOBE Range Hoods Agent or KOBE Range Hoods as applicable. Keep proof of purchase (original invoice) handy for inspection.

If the range hood is sold by the original purchaser during the warranty period the new owner is protected until expiration of the original purchaser's warranty. See warranty section for complete warranty coverage information.

This appliance has been manufactured, tested, and inspected to the standards required by KOBE Range Hoods.

### PLEASE MAIL IN YOUR WARRANTY REGISTRATION CARD AND PROOF OF PURCHASE TO:

KOBE Range Hoods  
Warranty Registration  
11775 Clark Street  
Arcadia, CA 91006  
U.S.A.

### RECORD THE FOLLOWING INFORMATION FOR YOUR RECORD:

Model No. \_\_\_\_\_

Serial No. \_\_\_\_\_

Purchased Date                    \_\_\_\_ / \_\_\_\_ / \_\_\_\_

Purchased From:

\_\_\_\_\_  
\_\_\_\_\_  
\_\_\_\_\_

**IMPORTANT:**     PLEASE KEEP A COPY OF YOUR SALE RECEIPT OR INVOICE HANDY  
WHEN REQUESTING SERVICE.

**KOBE**<sup>®</sup>

KOBE Range Hoods  
11775 Clark Street  
Arcadia, CA 91006

<http://www.KOBERangeHoods.com>

This KOBE hood is manufactured for use in the USA and CANADA only. We do not recommend using this hood overseas as the power supply may not be compatible and may violate the electrical code of that country. **Using a KOBE hood overseas is at your own risk and will void your warranty.**

Information subject to change without notice.

VER.091210

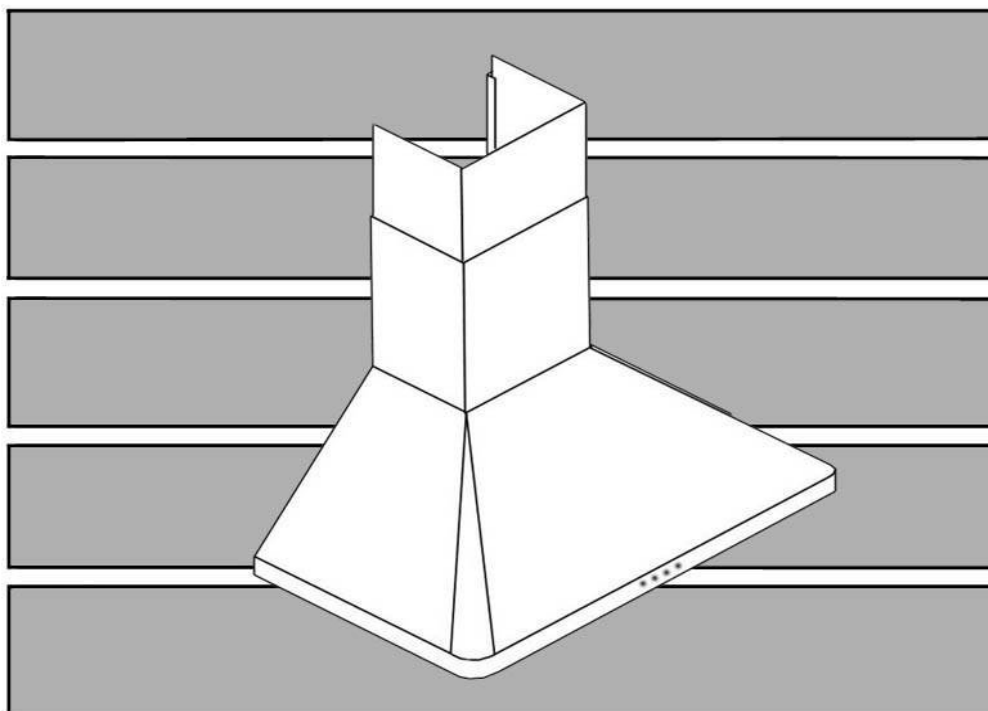




# KOBE® HOTTE DE CUISINIÈRE KOBE

N<sup>os</sup> de modèles RA9430SQB  
RA9436SQB

## SÉRIE RA-094



NOTICE D'INSTALLATION  
ET MODE D'EMPLOI

## LIRE ET CONSERVER CES INSTRUCTIONS

### TABLE DES MATIÈRES

CONSIGNES DE SÉCURITÉ IMPORTANTES .....	25
CONTENU DE L'EMBALLAGE.....	27
INSTALLATION.....	28
MODE D'EMPLOI.....	32
ENTRETIEN PRÉVENTIF .....	33
SPÉCIFICATIONS.....	35
MESURES ET SCHÉMAS.....	36
LISTE DES PIÈCES .....	37
SCHEMA DE CABLAGE .....	39
TROUBLE SHOOTING.....	40
AVIS DE NON-RESPONSABILITÉ.....	41
GARANTIE .....	42
ENREGISTREMENT DU PRODUIT .....	42

### LIRE ATTENTIVEMENT TOUTES LES CONSIGNES AVANT DE COMMENCER

TOUT LE CÂBLAGE ÉLECTRIQUE DOIT ÊTRE EFFECTUÉ  
PAR UN PROFESSIONNEL  
EN CONFORMITÉ AVEC LES CODES D'ÉLECTRICITÉ  
LOCAUX ET NATIONAUX



## CONSIGNES DE SÉCURITÉ IMPORTANTES

- SVP LIRE CETTE SECTION ATTENTIVEMENT AVANT L'INSTALLATION -

**⚠ AVERTISSEMENT: AFIN DE RÉDUIRE LES RISQUES D'INCENDIE, DE CHOC ÉLECTRIQUE ET DE BLESSURES, RESPECTER LES CONSIGNES SUIVANTES :**

- 1) L'installation et le câblage électrique doivent être effectués par des techniciens qualifiés et en conformité avec tous les codes et toutes les normes qui s'appliquent même pour les constructions ignifugées.
- 2) Lorsque vous découpez ou percez un mur ou un plafond, prendre soin de ne pas endommager le filage électrique ou autres conduits cachés.
- 3) Les hottes à évacuation doivent être évacuées à l'extérieur.
  - a) Avant une réparation, un entretien préventif ou un nettoyage, ouvrir le panneau de la lumière et **COUPER LE COURANT ÉLECTRIQUE SUR LE TABLEAU DE DISTRIBUTION.**
  - b) Nettoyer le ventilateur, le filtre optionnel et les surfaces chargées de graisse fréquemment. Afin de réduire les risques d'incendie et afin de disperser l'air adéquatement, évacuer l'air à l'extérieur. **NE PAS ventiler l'air d'évacuation dans les murs, les greniers, les vides sanitaires ou les garages.**

**NOTE** - La garantie de cet appareil sera nulle sans le reçu d'un distributeur autorisé de KOBE ou si l'appareil est endommagé par une utilisation inadéquate, une installation déficiente, un usage inapproprié, un mauvais traitement, de la négligence ou par toute autre circonstance échappant au contrôle des distributeurs autorisés de KOBE. Toute réparation effectuée sans la supervision d'un agent autorisé de KOBE annulera automatiquement la garantie.

- KOBE se dégage de toute responsabilité face à des dommages à la propriété personnelle ou aux biens immeubles ou encore à des blessures corporelles causées directement ou indirectement par la hotte de cuisinière.

**⚠ AVERTISSEMENT : AFIN DE RÉDUIRE LES RISQUES DE BLESSURES CORPORELLES DANS L'ÉVENTUALITÉ D'UN INCENDIE DE GRAISSE SE DÉCLARANT SOUS LA HOTTE DE CUISINIÈRE :**

1. Tenir toujours propres le ventilateur, les filtres déflecteurs, s'il y en a, et les surfaces chargées de graisse.
2. Toujours faire fonctionner la hotte lors d'une cuisson à température élevée.
3. Utiliser les vitesses élevées de la hotte **UNIQUEMENT** lorsque nécessaire. Chauffer l'huile lentement aux réglages de basses ou de moyennes vitesses.
4. Ne pas laisser la cuisinière sans surveillance lors de la cuisson.
5. Toujours utiliser les articles de cuisson et les ustensiles appropriés au type et à la quantité d'aliments préparés.
6. Utiliser l'appareil seulement pour l'usage auquel le fabricant l'a destiné.
7. Avant l'entretien courant, couper l'alimentation électrique au tableau de distribution principal et verrouiller ce dernier (si possible) pour éviter une mise en marche accidentelle.
8. Nettoyer les ventilateurs fréquemment.

### Que faire en cas d'un incendie de graisse sur la cuisinière

- ÉTOUFFER LES FLAMMES à l'aide d'un couvercle hermétique, une plaque à biscuits ou un plateau métallique, puis fermer le rond ou le brûleur. GARDER LES MATÉRIAUX INFLAMMABLES OU COMBUSTIBLES LOIN DES FLAMMES. Si les flammes ne s'éteignent pas immédiatement, ÉVACUER LA ZONE ET APPELER LE SERVICE D'INCENDIE ou le 911.
- NE JAMAIS SOULEVER UNE CASSEROLE EN **FEU** - Il y a risque de brûlure.
- NE PAS UTILISER D'EAU incluant serviettes ou linges à vaisselle mouillés - cela provoquerait un violent jet de vapeur.
- Utiliser un extincteur SEULEMENT si:
  - a) vous possédez un extincteur de classe A, B ou C et si vous savez vous en servir ;
  - b) le feu est petit et est contenu dans la zone de départ ;
  - c) vous avez appelé le service d'incendie ;
  - d) vous pouvez combattre le feu le dos près d'une sortie.

### Que faire si une odeur de gaz se dégage

- Éteindre toute flamme nue.
- Ne pas essayer d'allumer des lumières ou tout type d'appareil électroménager.
- Ouvrir toutes les portes et fenêtres afin de chasser le gaz. Si une odeur de gaz est toujours perceptible, appeler votre fournisseur de gaz ainsi que le service d'incendie immédiatement.

### **⚠ ATTENTION !**

- 1) Cette hotte doit être utilisée uniquement pour une ventilation normale. Ne pas s'en servir pour évacuer des substances et vapeurs dangereuses ou explosives.
- 2) Afin de réduire les risques d'incendie, employer seulement des conduits de métal. Il doit y avoir suffisamment d'air pour une combustion et une évacuation des gaz appropriées par le conduit de fumée (cheminée) afin d'éviter le refoulement d'air.
- 3) Suivre les directives et les consignes de sécurité des fabricants d'équipement de chauffage comme celles publiées par le *National Fire Protection Association (NFPA)* et l'*American Society for Heating, Refrigeration and Air Conditioning Engineers (ASHRAE)* de même que les codes en vigueur.
- 4) L'activation de tout interrupteur peut provoquer l'allumage ou une explosion.
- 5) En raison de la taille et du poids de la hotte, il est recommandé que deux personnes participent à l'installation.

#### **⚠ AVERTISSEMENT**



**RISQUE DE CHOC ÉLECTRIQUE -** Pouvant entraîner la mort ou des blessures graves. Couper l'alimentation électrique à l'appareil avant tout entretien ou toute réparation. Si la hotte est munie d'une ampoule fluorescente, cette dernière contient une petite quantité de mercure et, en conséquence, elle doit être recyclée ou éliminée conformément aux codes locaux, provinciaux et fédéraux qui s'appliquent

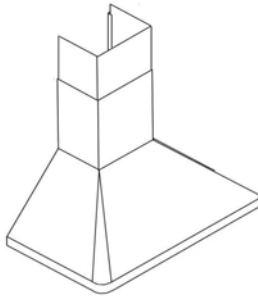
# CONTENU DE L'EMBALLAGE

POUR TOUT RETOUR OU REMBOURSEMENT  
CONSERVER TOUT LE MATÉRIEL AINSI QUE L'EMBALLAGE D'ORIGINE

## Boîte de la hotte de cuisine

1. Hotte de cuisinière KOBE - 1
2. Fiche d'enregistrement à la garantie - 1
3. Notice d'installation et mode d'emploi - 1
4. Support de fixation - hotte - 2
5. Ensemble de vis - 1

1.



2. WARRANTY REGISTRATION CARD

PLEASE CIRCLE IN INK: MA, MI, MN

FIRST NAME: \_\_\_\_\_ LAST NAME: \_\_\_\_\_  
 STREET: \_\_\_\_\_ APT. NO.: \_\_\_\_\_ ZIP CODE: \_\_\_\_\_  
 CITY: \_\_\_\_\_ STATE: \_\_\_\_\_  
 DATE OF PURCHASE: \_\_\_\_/\_\_\_\_/\_\_\_\_ EMAIL: \_\_\_\_\_  
 TEL. NO.: \_\_\_\_\_ EXT. NO.: \_\_\_\_\_  
 MODEL NO.: \_\_\_\_\_ SERIAL NO.: \_\_\_\_\_

PLEASE PRINT OR TYPE IN INK: MAKE (Full Name) \_\_\_\_\_

**IMPORTANT:** Without the warranty registration card and proof of purchase, KOBE cannot be held liable in future. Please complete and return this registration card along with proof of purchase to KOBE Range Hoods.

**KOBE RANGE HOODS**

THIS APPLIANCE HAS BEEN MANUFACTURED, TESTED AND INSPECTED TO THE STANDARDS REQUIRED BY THESE RANGE HOODS.

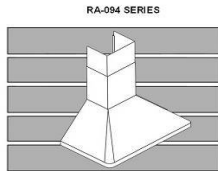
MODEL NO. \_\_\_\_\_ SERIAL NO. \_\_\_\_\_

LOW TEST	PERFORMANCE TESTED	FINAL INSPECTION

IF YOU HAVE ANY QUESTIONS, PLEASE CONTACT OUR CUSTOMER SERVICE AT (800) 868-1000 OR EMAIL [customerservice@kobehoods.com](mailto:customerservice@kobehoods.com)

[www.kobehoods.com](http://www.kobehoods.com)

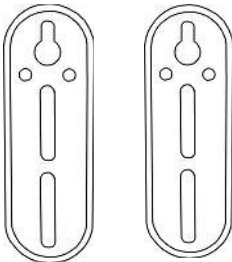
3. **KOBE** KOBE Brand Range Hood  
Model No. RA9436SQF  
RA9436SQB



INSTALLATION INSTRUCTIONS  
AND OPERATION MANUAL

\* supports fixés à la hotte

4.



5.



M 4 x 8 mm (6 pcs)

L'UN DES DEUX ARTICLES SUIVANTS  
EST REQUIS:

(N° de modèle RA9436SQB)

6. Filtre déflecteur – 2 (RA9430SQB)  
-- 3 (RA9436SQB)

7. Poignée de déflecteur – 2 (RA9430SQB)  
-- 3 (RA9436SQB)

8. Ensemble de vis - 1

6.



7.



8.



M 4 x 8 mm (6 pcs)

## INSTALLATION

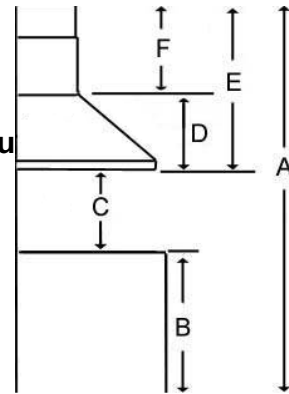
SVP LIRE AU COMPLET AVANT L'INSTALLATION

### Mesures à prendre avant l'installation

Pour calculer la longueur de l'installation, vous référer au Tableau 1 qui suit. (Toutes les mesures sont données en pouces).

#### TABLEAU 1

- A = Hauteur entre le plancher et le plafond
- B = Hauteur entre le plancher et le plan de travail  
(hauteur standard: 36 po)
- C = Hauteur désirée entre le plan de travail et le dessous**  
(dégagement recommandé: de 27 à 30 po)
- D = Hauteur de la hotte
- E = Hauteur de l'installation de la hotte  
[A - (B + C)]
- F = Hauteur du couvre-conduit [E - D]



### CONSIGNE DE SÉCURITÉ

LES HOTTES PEUVENT AVOIR DES BORDS TRÈS TRANCHANTS ; PORTER DES GANTS DE PROTECTION SI NÉCESSAIRE POUR RETIRER DES PIÈCES LORS DE L'INSTALLATION, DU NETTOYAGE, DE L'ENTRETIEN ET DES RÉPARATIONS.

## Préparation avant l'installation

NOTE: AFIN DE PRÉVENIR TOUT DOMMAGE À LA HOTTE, IL FAUT EMPÊCHER LES DÉBRIS DE PÉNÉTRER DANS L'OUVERTURE DE VENTILATION.

- Choisir l'emplacement du conduit de ventilation de la hotte à l'extérieur. Voir photo 1.
- Un conduit court et droit permet de maximiser le rendement de la hotte.
- Essayer d'éviter autant que possible les raccords, les coudes et les longues sections de conduit puisque ceux-ci peuvent réduire le rendement de la hotte.
- Avant de l'installer, brancher la hotte temporairement pour vérifier si son fonctionnement est adéquat. Voir les étapes 8 et 9 et la photob8 à la page 30.
- **Important: enlever la pellicule protectrice de la hotte (s'il y a lieu).**
- Utiliser du ruban adhésif entoilé d'aluminium pour sceller les raccords entre les sections de tuyau.
- Si nécessaire, renforcer le mur arrière en y ajoutant du bois de charpente pour une installation sécuritaire. À l'aide des références du Tableau 1 et des mesures à la page 36, déterminer la hauteur du soutien de bois supplémentaire. Voir photo 2.
- Desserrer les supports de fixation à l'arrière de la hotte; régler les supports et serrer les vis comme illustré à la Figure 3.
- Si nécessaire, retirer la cale de caoutchouc à l'arrière de la hotte et la jeter. Voir photo 4.

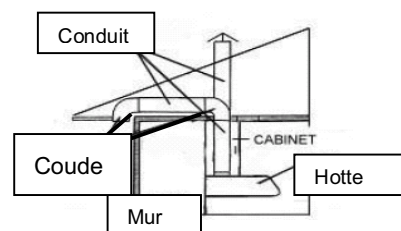


Photo 1

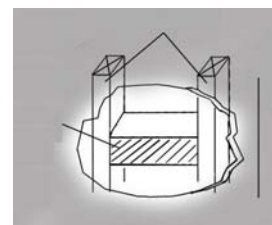


Photo 2

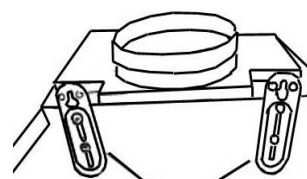


Photo 3

## Installation de la hotte

**AVERTISSEMENT: S'il faut déplacer une cuisinière électrique pour installer la hotte, couper d'abord l'alimentation électrique à cette cuisinière par le tableau de distribution principal. COUPER LE GAZ AVANT DE DÉPLACER UNE CUISINIÈRE À GAZ**

1. À l'aide des références du Tableau 1 et des mesures à la page 36, marquer les repères de mise à niveau des supports de fixation de la hotte sur le mur.
2. Fixer deux vis (non fournies) au mur en laissant un jeu de 1/8 po du mur comme illustré à la Figure 5.
3. Aligner le support de fixation de la hotte aux deux vis au mur et accrocher la hotte en place.

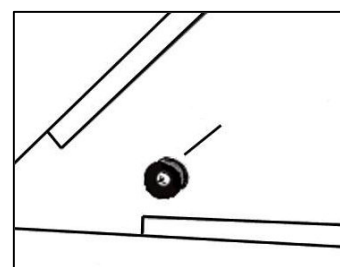


Photo 4

- Serrer les vis pour bien fixer la hotte au mur. **AVERTISSEMENT: S'ASSURER QUE LA HOTTE EST SOLIDEMENT FIXÉE AVANT DE LA LÂCHER.**

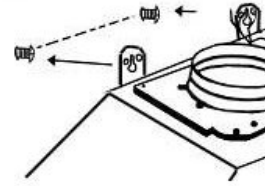


Photo 5

### Installation du conduit

- Marquer le repère de mise à niveau du support de fixation du couvre-conduit à l'aide de la référence **E** du Tableau 1 ainsi que des mesures à la page 36.
- Attacher solidement le support de fixation du couvre-conduit au mur avec deux vis (non fournies). Voir photo 6. S'assurer que toutes les vis sont bien serrées. NOTE: Le couvre-conduit intérieur recouvrira le support de fixation.
- Utiliser un tuyau rond d'aluminium ou d'acier (non fourni) pour raccorder l'évent de sortie en plastique de la hotte au conduit au-dessus. Utiliser du ruban adhésif entoilé d'aluminium pour rendre tous les raccords sécuritaires et hermétiques. Voir photo 7.

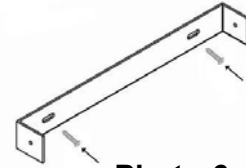


Photo 6

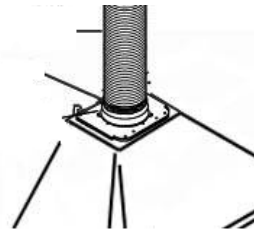


Photo 7

### Branchement des fils électriques



### CONSIGNE DE SÉCURITÉ

RISQUE DE CHOC ÉLECTRIQUE. CETTE HOTTE DE CUISINIÈRE DOIT ÊTRE MISE À LA TERRE ADÉQUATEMENT. CE TRAVAIL DOIT ÊTRE EXÉCUTÉ PAR UN ÉLECTRICIEN PROFESSIONNEL EN CONFORMITÉ AVEC TOUS LES CODES D'ÉLECTRICITÉ LOCAUX ET NATIONAUX QUI S'APPLIQUENT. AVANT DE BRANCHER DES FILS, COUPER LE COURANT ÉLECTRIQUE AU TABLEAU DE DISTRIBUTION PRINCIPAL ET VERROUILLER CE DERNIER POUR ÉVITER QUE LE COURANT SOIT REMIS ACCIDENTELLEMENT.

- Raccorder les trois fils (noir, blanc et vert) aux fils de la maison et couvrez-les avec des capuchons de connexion. Raccorder les fils selon la couleur : noir avec noir, blanc avec blanc et vert avec vert.
- Vérifier le bon fonctionnement de la hotte avant de poursuivre. S'assurer que la hotte est alimentée en courant.

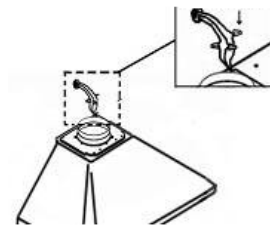


Photo 8



## Installation du couvre-conduit

10. Faire glisser le couvre-conduit intérieur vers le haut de 2 po avant de glisser le couvre-conduit entier sur la hotte. Voir photo 9.
11. Ajuster la hauteur du couvre-conduit intérieur à celle du support de fixation du couvre-conduit. Fixer solidement le couvre-conduit intérieur avec deux vis 4 x 8 mm (fournies).
12. Attacher le couvre-conduit extérieur à la plaque en plastique de la hotte à l'aide de quatre vis 4 x 8 mm (fournies).

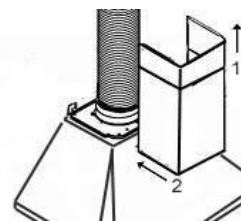
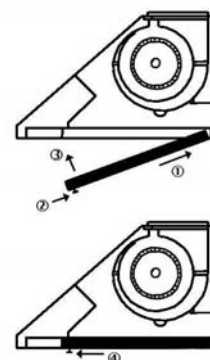


Photo 9

## Installation des accessoires

13. Placer les filtres déflecteurs sous la hotte. Voir photo 10.

Photo 10



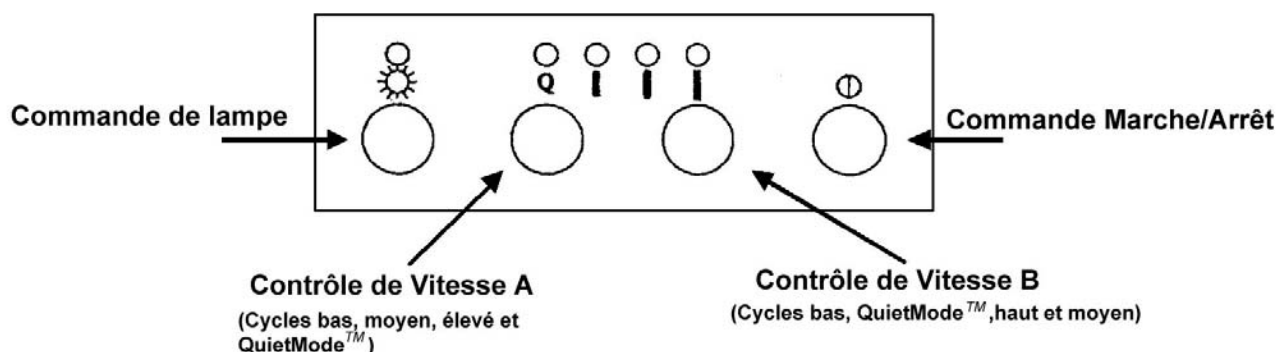
## Assemblage final

14. Démarrer la hotte par la commande marche/arrêt. Vérifier le fonctionnement de toutes les lampes et du ventilateur.
15. Remettre ce manuel au propriétaire pour consultation future.

## MODE D'EMPLOI

Cette hotte de cuisinière KOBE® possède quatre commandes électroniques munies d'un démarrage avec garde de 10 secondes et d'un dispositif d'arrêt à retardement de 30 secondes, un puissant ventilateur centrifuge à pales (cage à écureuil), des filtres déflecteurs et deux lampes halogènes 12 volts, 20 watts.

Ces quatre commandes électroniques sont: la commande des lampes « Light control », la commande des vitesses A « Speed Control A », la commande des vitesses B « Speed Control B » et la commande marche/arrêt « Power Control ». Voir photo 11.



### MISE EN MARCHÉ

- **Presser une fois sur le bouton marche/arrêt.**  
(Si aucun des autres boutons n'est enfoncé en-dedans de 10 secondes, la hotte se fermera automatiquement.)
- **La hotte KOBE® démarre à basse vitesse. Chaque fois que la commande des vitesses est enfoncée, le cycle passe à la vitesse suivante.**
- **Presser sur le bouton de commande des vitesses A pour passer d'un cycle à l'autre: bas, moyen, élevé et QuietMode™.**
- **Presser sur le bouton de commande des vitesses B pour passer d'un cycle à l'autre: bas, QuietMode™, haut et moyen.**  
(Note: les commandes des vitesses A et B font fonctionner les deux ventilateurs).
- **Presser sur le bouton de commande des lampes pour allumer les lampes halogènes.**

### ARRÊT

- **Presser une fois sur le bouton marche/arrêt, les lampes vont clignoter et le courant sera coupé entièrement après 30 secondes.**

### OU

- **Presser deux fois sur le bouton marche/arrêt, le courant se coupera immédiatement.**
- **Si seules les lampes sont allumées, en pressant une fois sur le bouton marche/arrêt, le courant se fermera après 30 secondes.**

## ENTRETIEN PRÉVENTIF

Pour favoriser un rendement optimal, nettoyer régulièrement les surfaces de la hotte et les filtres.

### NETTOYAGE DES SURFACES DE LA HOTTE

**AVERTISSEMENT: NE JAMAIS EMPLOYER DE NETTOYANTS ABRASIFS, DE LAINES À RÉCURER OU DE TISSUS ABRASIFS.**

\*\*\*Un entretien fréquent aidera à conserver une belle apparence à la hotte.

1. Utiliser seulement du savon doux ou du détergent. Sécher les surfaces avec un chiffon doux.
2. Si la hotte est tachée (hotte en acier inoxydable), utiliser un nettoyeur à base d'agrumes pour nettoyer les surfaces. Éviter de mettre du nettoyeur sur les boutons de commande. Étendre une petite quantité sur les surfaces et laisser reposer quelques minutes (ne pas laisser trop longtemps car cela pourrait endommager le fini de la hotte). À l'aide d'un chiffon doux, enlever la solution nettoyante et frotter doucement les taches rebelles. Utiliser un chiffon légèrement humide pour enlever tout résidu de solution nettoyante. Sécher la hotte avec un chiffon doux.
3. Pour redonner du brillant au fini en acier inoxydable, utiliser un nettoyeur pour acier inoxydable.
4. NE PAS laisser les dépôts s'accumuler durant de longues périodes de temps.
5. NE PAS utiliser de laines ou de brosses à récurer ordinaires. Des particules d'acier peuvent adhérer à la surface et la faire rouiller.
6. NE PAS permettre à des solutions salines, des désinfectants, des javellisants ou des agents nettoyants de rester en contact avec l'acier inoxydable durant de longues périodes. Plusieurs de ces nettoyeurs contiennent des produits chimiques pouvant causer du tort à l'acier inoxydable. Après tout contact de ce type, rincer à l'eau et essuyer avec un chiffon doux.

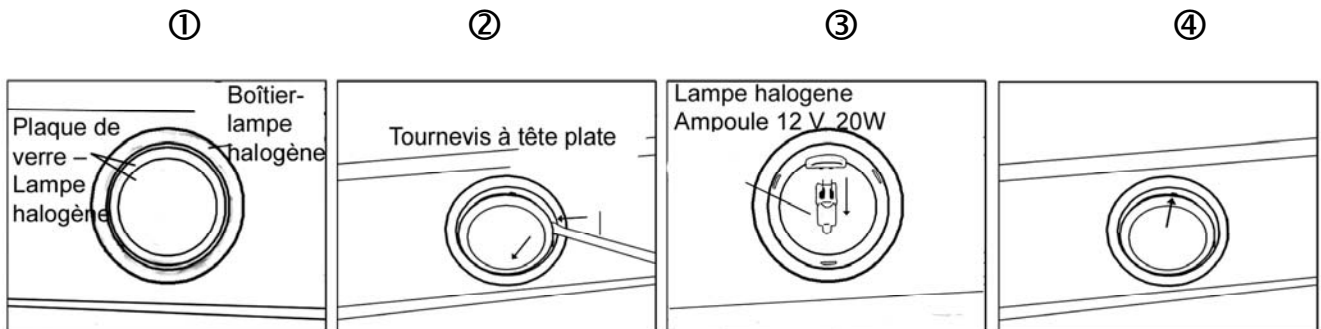
### NETTOYAGE DES FILTRES DÉFLECTEURS

**AVERTISSEMENT: VIDER LA GRAISSE DES FILTRES DÉFLECTEURS AVANT QU'ELLE NE S'ACCUMULE TROP.**

1. Retirer tous les filtres déflecteurs.
2. Laver dans une eau chaude savonneuse.  
Sécher entièrement avant de remettre en place.  
*(Note: les filtres déflecteurs peuvent se laver en toute sécurité dans le haut du lave-vaisselle.)*

## REPLACEMENT D'UNE AMPOULE

**AVERTISSEMENT : LA LAMPE HALOGÈNE PEUT ÊTRE BRÛLANTE ! ATTENDRE QU'ELLE SE REFROIDISSE AVANT DE PROCÉDER.**



1. S'assurer que toutes les commandes sont en mode ARRÊT et que la hotte de cuisinière est débranchée.
2. Glisser le tournevis à tête plate dans l'espace entre la plaque de verre et le boîtier de la lampe. ①
3. Retirer la plaque de verre. ②
4. En douceur, tirer sur l'ampoule défectueuse pour l'enlever et la jeter. Les ampoules à utiliser doivent être de 12 V et de 20 W au maximum. ③
5. À l'aide d'un linge, tenir la nouvelle ampoule et la pousser fermement dans la douille.
6. Remettre la plaque de verre par-dessus le boîtier. ④
7. Brancher la hotte de cuisinière pour en vérifier le fonctionnement.

## SPÉCIFICATIONS

MODÈLE / FORMAT	RA9430SQB - 30 po RA9436SQB - 36 po
COULEUR	Acier inoxydable de qualité commerciale n° 304
VOLTAGE	215 W - 1,79 A
NOMBRE DE MOTEURS	1
DESIGN	Fini satiné sans joints de calibre 18
TYPE DE VENTILATEUR	Centrifuge à pales (cage à écureuil)
ÉVACUATION	évent rond de 6 po
COMMANDES	Commandes électroniques (4 boutons) – <ul style="list-style-type: none"> <li>▪ démarrage avec garde de 10 secondes</li> <li>▪ dispositif d'arrêt à retardement de 30 secondes</li> </ul>
LAMPES HALOGÈNES	RA9430SQB - 12V 20W x 2 RA9436SQB - 12V 20W x 2
DIMENSIONS DE LA HOTTE (LARGEUR X PROFONDEUR X HAUTEUR)	RA9430SQB - 29 3/4 po x 20 1/2 po x 12 1/4 po RA9436SQB - 35 1/4 po x 20 1/2 po x 12 1/4 po
ACCESSOIRES EN OPTION (LARGEUR X PROFONDEUR X HAUTEUR)	<ol style="list-style-type: none"> <li>1) <b>N° de modèle RA0930DC</b> Rallonge monopiece de couvre-conduit pour plafonds de 9 à 10 pieds</li> <li>2) <b>N° de modèle RA0946DC</b> Rallonge monopiece de couvre-conduit pour plafonds de 10 à 11 pieds</li> <li>3) <b>N° de modèle SSP30</b> Panneau arrière en acier inoxydable - 30 po (30 po x 1/10 po)</li> <li>4) <b>N° de modèle SSP36</b> Panneau arrière en acier inoxydable - 30 po (30 po x 1/10 po)</li> </ol>

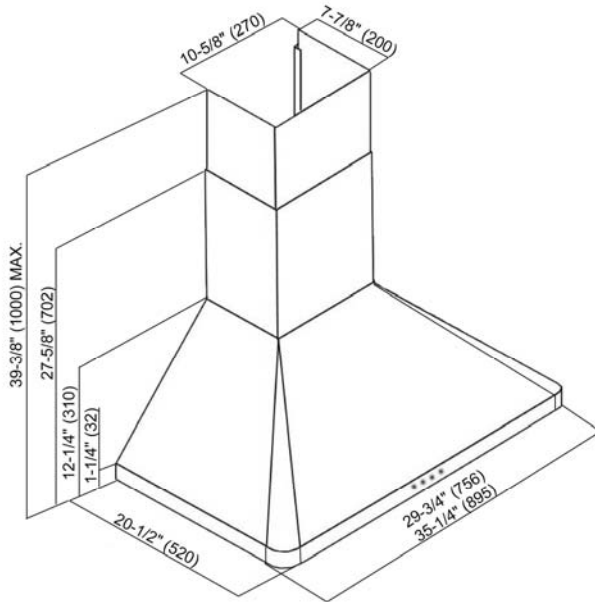
POIDS (lb)			NET	BRUT
		RA9436SQF	RA9436SQB	37,5 46,0
VITESSE	QuietMode™	Basse	Moyenne	Élevée
Capacité d'air (cfm)	280	420	580	760
Sone*	1.2*	2.0	2.8	4.5

\* Un sone équivaut au son d'un réfrigérateur à 40 décibels.

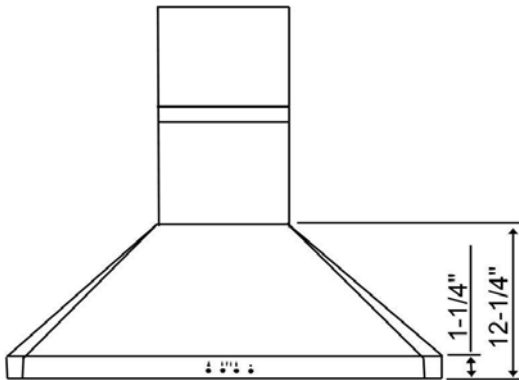
\*\* Les spécifications sont sujettes à changement sans préavis.

# MESURES ET SCHÉMAS

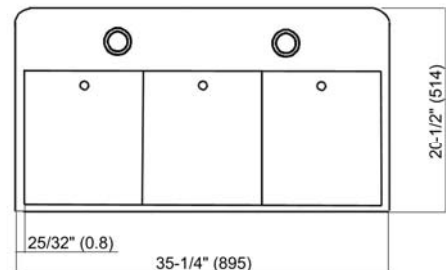
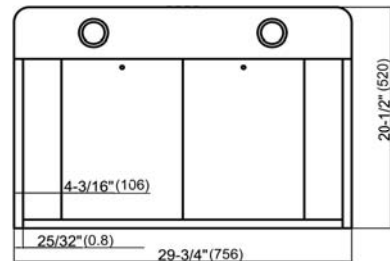
\*\*\* Toutes les mesures en pouces sont converties à partir de millimètres. Les mesures en pouces sont estimées.  
 \*\*\* Toutes les mesures entre parenthèses sont en millimètres.



Vue de l'avant



Vue de fond

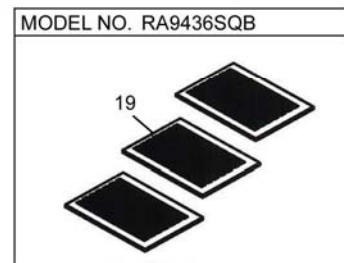
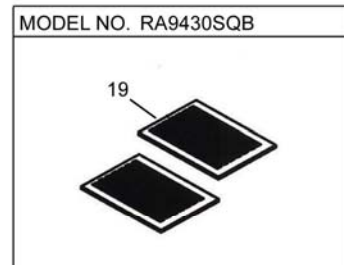
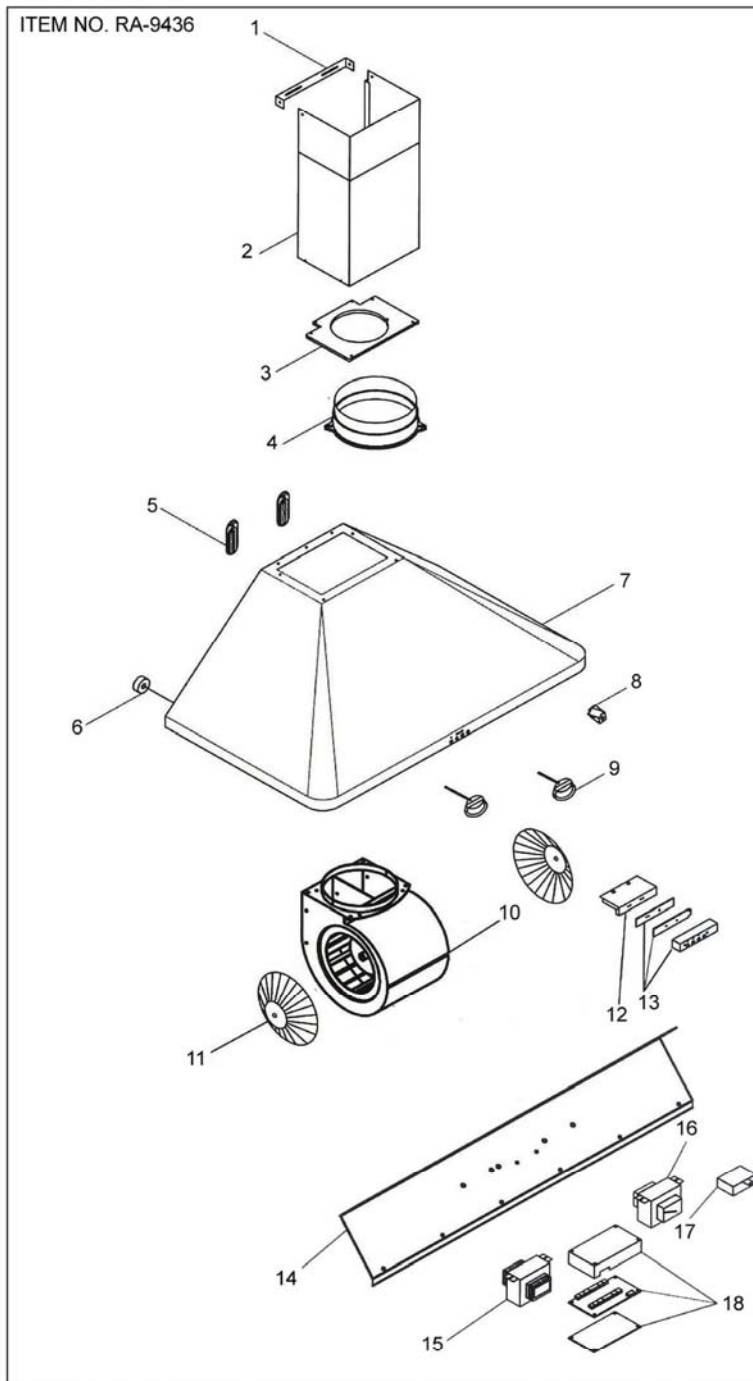


## LISTE DES PIÈCES

N<sup>os</sup> de modèles:     **RA9430SQB**  
                               **RA9436SQB**

N <sup>o</sup>	DESCRIPTION	MODÈLE/FORMAT	N <sup>o</sup> DE PIÈCE
1	Support de fixation - couvre-conduit		C1-0203-0092
2	Couvre-conduit	RA9236DC	B102-0192
3	Plaque en plastique		C1-0506-0092
4	Évent rond en plastique - 6 po		C1-0505-0001
5	Support de fixation - hotte		C1- 0221-0001
6	Cale de caoutchouc		C1-0510-0101
7	Caisson supérieur de la hotte		RA-25900-A
8	Boîtier de connexions		C1-0231-2590
9	Lampe halogène ( 12 V, 20 W max.)		C1-0403-0001
10	Boîtier de moteur et moteur		C1-0302-A120-01
11	Grille de protection		C1-0602-0103
12	Support - tableau des commandes		C1-0207-2590
13	Tableau des commandes		C1-0404-4001
14	Support - composants électriques		C1-0201-2590
15	Transformateur (lampe)		C1-0402-0120-40
16	Transformateur (moteur)		C1-0402-A120-01
17	Condensateur		C1-0401-0240-03
18	Processeur		C1-0404-0401-B
19	Filtre déflecteur		B101-2590-15

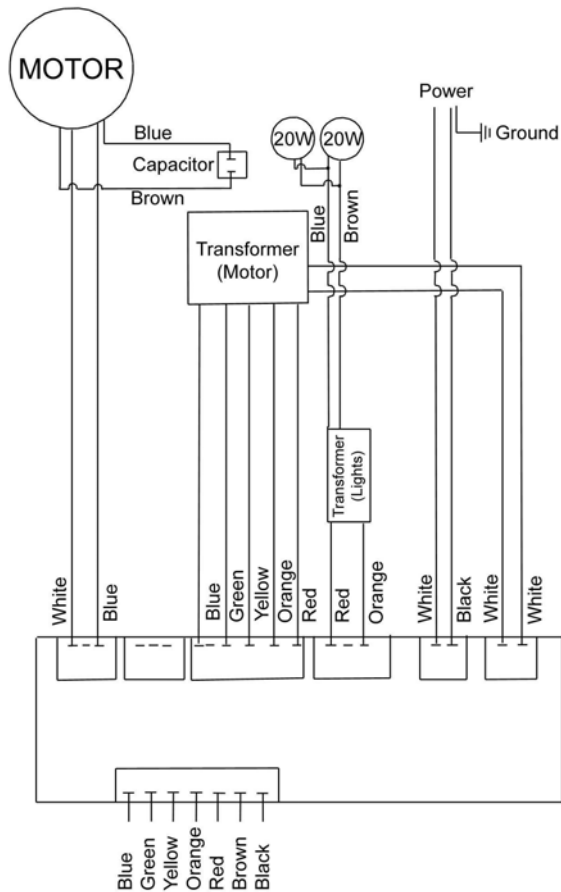
N<sup>os</sup> de modèles: RA9430SQB  
RA9436SQB





# SCHEMA DE CABLAGE

N<sup>os</sup> de modèles: RA9430SQB  
RA9436SQB



## ENGLISH

MOTOR  
CAPACITOR  
TRANSFORMER (MOTOR)  
POWER  
GROUND  
TRANSFORMER (LIGHTS)  
BLUE  
BLACK  
BROWN  
RED  
WHITE  
GREEN  
YELLOW  
ORANGE

## FRANÇAIS

MOTEUR  
CONDENSATEUR  
TRANSFORMATEUR (MOTEUR)  
ALIMENTATION ÉLECTRIQUE  
MISE À LA TERRE  
TRANSFORMATEUR (LAMPES)  
BLEU  
NOIR  
BRUN  
ROUGE  
BLANC  
VERT  
JAUNE  
ORANGE

## TROUBLE SHOOTING

Problème	Cause probable	Solution
Après l'installation, les deux moteurs et les lumières ne fonctionnent pas.	Pas d'alimentation électrique. Assurez-vous que le disjoncteur et que l'alimentation électrique soient en marche.	Utilisez un voltmètre pour vérifier l'alimentation en électricité.
	Le câblage n'est pas bien installé.	Vérifiez et serrez les connexions de fils.
	Le câblage du panneau de commande et de la carte processeur est débranché.	Vérifiez le câblage au complet à partir du panneau de commande jusqu'à la carte processeur.
	Le transformateur du moteur est défectueux	Vérifiez l'entrée de courant et la sortie de courant du transformateur du moteur. Si nécessaire, remplacez le transformateur du moteur.
Le panneau de commande ou la carte processeur est défectueux.		Remplacez le panneau de commande ou la carte processeur.
Les lumières fonctionnent, mais pas le(s) moteur(s).	Le(s) moteur(s) est (sont) défectueux.	Remplacez le(s) moteur(s).
	Le(s) condensateur(s) est (sont) défectueux.	Remplacez le(s) condensateur(s).
	Le panneau de commande ou la carte processeur est défectueux.	Remplacez le panneau de commande ou la carte processeur.
La hotte de cuisine vibre.	Le système de ventilation n'est pas bien installé.	Serrez la pale turbine/cage d'écureuil et le réservoir d'air.
	La pale turbine/cage écureuil n'est pas bien balancée.	Remplacez la pale turbine/cage d'écureuil.
	La hotte n'est pas assez bien serrée.	Vérifiez l'installation de la hotte, serrez le support de fixation.
Le moteur fonctionne, mais pas les lumières.	L'ampoule de la lampe halogène est défectueuse.	Essayez l'ampoule de lampe défectueuse sur une douille qui fonctionne. Si l'ampoule ne fonctionne toujours pas, remplacez-la.
	Le câblage de la lampe n'est pas assez serré.	Vérifiez le câblage au complet à partir de la carte processeur jusqu'au transformateur puis jusqu'au boîtier.
	Le transformateur de la lumière est défectueux.	Vérifiez l'entrée de courant et la sortie de courant du transformateur de lampe. Si nécessaire, remplacez le transformateur de lampe.
	Le panneau de commande ou la carte processeur est défectueux.	Remplacez le panneau de commande ou la carte processeur.
La hotte de cuisine ne ventile pas correctement.	La hotte de cuisine est installée hors des limites recommandées par le fabricant.	Ajustez le dégagement entre la hotte de cuisine et la table de cuisson pour qu'il soit de 27" à 30". Pour une hotte de cuisinière sur îlot, le dégagement entre la hotte de cuisine et la table de cuisson est de 30" à 36".
	Il n'y a pas d'air d'appoint à l'intérieur de la maison.	Ouvrez la fenêtre pour améliorer la performance de la hotte en créant suffisamment d'air d'appoint.
	Un obstacle bloque la canalisation.	Enlevez tous les obstacles de la canalisation.
	La canalisation est plus petite que la canalisation suggérée.	Changez la canalisation en accord avec les suggestions du fabricant.
De l'air froid entre dans la maison.	La connexion du conduit n'est pas scellée correctement.	Vérifiez l'installation du conduit.
	Le clapet n'est pas bien installé ou manque à l'installation.	Vérifiez l'installation du clapet.
	Le clapet n'est pas installé.	En installant le clapet, vous aiderez à éliminer le retour d'air.

## AVIS DE NON-RESPONSABILITÉ

1. **INSPECTER ATTENTIVEMENT TOUS LES ARTICLES POUR DÉCELER TOUT DOMMAGE, S'IL Y A LIEU, AVANT D'ACCEPTER LA LIVRAISON. NOTER TOUT DOMMAGE SUR LA FACTURE DE TRANSPORT OU LE CONNAISSEMENT. EXIGER LE NOM ET LA SIGNATURE DE L'EMPLOYÉ DU TRANSPORTEUR ET CONSERVER UNE COPIE COMME PIÈCE JUSTIFICATIVE DE LA RÉCLAMATION.**

Sur acceptation des articles, le propriétaire assume la responsabilité de l'état dans lequel se trouvent les articles à la livraison. Les dommages doivent être déclarés au transporteur et une réclamation doit être déposée à défaut de quoi le transporteur pourrait refuser d'honorer la réclamation. Le transporteur fournira les formulaires nécessaires pour effectuer une réclamation.

**LES DOMMAGES CAUSÉS DURANT LE TRANSPORT NE SONT PAS COUVERTS PAR NOTRE GARANTIE.**

2. **PRIÈRE DE BIEN VÉRIFIER LE CONTENU DE L'EMBALLAGE (DES EMBALLAGES) À LA RÉCEPTION!** Vous devez nous aviser par écrit de tout dommage ou de toute pièce manquante à l'intérieur du délai alloué à partir de la réception de la marchandise. Communiquer avec votre représentant ou distributeur local de KOBE ou appeler chez KOBE pour connaître le délai alloué. **LES RÉCLAMATIONS QUI NOUS PARVIENDRONT APRÈS LE DÉLAI ALLOUÉ SERONT REFUSÉES.**

NOTE : TOUS LES ARTICLES ONT ÉTÉ MIS À L'ESSAI MINUTIEUSEMENT ET EMBALLÉS AVEC SOIN À NOTRE USINE.

3. Les produits doivent être retournés en bonne condition de fonctionnement avec TOUTES les pièces d'origine et la documentation et dans TOUS les emballages d'origine (boîtes de carton et matériel de remplissage). Des frais de reconstitution de stocks de 25 % seront facturés pour tous les retours autorisés.

**LES ÉCHANGES OU LES RETOURS PEUVENT ÊTRE REFUSÉS SI UNE PARTIE DE L'EMBALLAGE EST MANQUANTE.**

4. **INSPECTER AVEC SOIN LA HOTTE POUR DÉCELER TOUT DOMMAGE OU DÉFAUT AVANT L'INSTALLATION.** Les défauts dans l'apparence de la hotte décelés après l'installation et n'ayant aucune incidence sur son rendement ne sont pas couverts par notre garantie et ne peuvent constituer une raison valable pour un retour ou un échange. Des frais seront facturés pour les appels de service non couverts par notre garantie.

A) Avant l'installation : retour pour échange ou remboursement (veuillez voir plus haut les raisons valables pour un retour).

B) Après l'installation : **AUCUN** échange ou remboursement.

# GARANTIE

## CERTIFICAT DE GARANTIE

Tous les produits fabriqués ou fournis par KOBE Range Hoods sont garantis contre tout défaut de fabrication et de matière première. Les obligations du fabricant dans le cadre de la présente garantie sont limitées à une période de deux (2) ans à partir de la date d'achat et à la réparation ou au remplacement, à sa discrétion, conformément aux modalités et conditions énoncées plus bas, de tout composant qu'il jugera défectueux après examen.

### PÉRIODE DE GARANTIE DE DEUX (2) ANS

Toute défaillance couverte par la garantie se produisant dans les deux (2) ans à compter de la date d'achat d'origine et découlant d'une fabrication ou d'une matière première défectueuse sera réparée (ou, à notre discrétion, l'appareil pourra être remplacé), sans frais, par un agent autorisé de KOBE Range Hoods ou par KOBE Range Hoods selon le cas. Conservez votre preuve d'achat (ou facture d'origine) pour inspection.

Si la hotte de cuisinière est vendue par l'acheteur d'origine au cours de la période de garantie, le nouveau propriétaire sera protégé jusqu'à l'expiration de la garantie de l'acheteur d'origine.

### CONDITIONS

Les conditions suivantes s'appliquent seulement en relation avec la garantie accordée expressément par le présent certificat.

- 1) La présente garantie est valide uniquement :
  - a) aux États-Unis et au Canada;
  - b) si la hotte de cuisinière est utilisée pour un USAGE FAMILIAL UNIQUE (si la hotte sert à un USAGE COMMERCIAL OU À PLUSIEURS FAMILLES OU À D'AUTRES FINS, la garantie sera nulle et non avenue).
- 2) La réparation de tout défaut couvert par la présente garantie ne sera pas couverte :
  - a) si le numéro d'identification de la hotte a été altéré, rendu illisible ou enlevé;
  - b) si le défaut n'a pas été déclaré au cours de la période de garantie applicable;
  - c) dans le cas de défectuosité des ampoules ou des lampes à rayons infrarouges;
  - d) dans le cas de tout dommage physique;
  - e) pour des surfaces endommagées par l'utilisation de produits nettoyants inappropriés;
  - f) si l'appareil a été:
    - i). soumis à un mauvais usage, un abus, une négligence, un accident, une installation inadéquate ou si les instructions du mode d'emploi n'ont pas été respectées;
    - ii). branché à une alimentation électrique ou à des conduits d'évacuation inappropriés, inadéquats ou défectueux ou opéré avec l'emploi de lubrifiants inadéquats ou contaminés;
    - iii). installé, entretenu ou opéré autrement qu'en conformité avec les instructions fournies par KOBE Range Hoods incluant l'utilisation inappropriée de détergents, javellisants ou nettoyants.
  - g) pour tout dommage à la hotte durant le transport, la livraison, l'installation ou l'enlèvement ;
  - h) pour tout dommage résultant d'un essai de réparation effectué par une autre personne que par un technicien de service autorisé par KOBE.
  - i) le bruit ou la vibration causé par une installation inappropriée de la hotte de ventilation et/ou du clapet.

- 3) L'acheteur sera responsable de tous les frais requis pour rendre la hotte facilement accessible au service et, lorsque la hotte est installée à l'extérieur du territoire de ventes principal du détaillant ou du territoire de service de l'agent autorisé de KOBE Range Hoods le plus près, selon le cas, de tous les frais de déplacement et de tous les frais de transport de la hotte ou de pièces de celle-ci jusqu'au détaillant ou au technicien de service (aller-retour).
- 4) L'acheteur doit fournir la preuve d'achat de même que le présent certificat de garantie au moment de faire une réclamation.
- 5) Les dommages causés durant l'expédition ne sont pas couverts sous la présente garantie.

### **DOMMAGES INDIRECTS**

KOBE Range Hoods, Inc. ne sera pas tenue responsable des dommages indirects. CERTAINS ÉTATS ET CERTAINES PROVINCES NE PERMETTENT PAS L'EXCLUSION DES DOMMAGES INDIRECTS. EN CONSÉQUENCE, LA PRÉSENTE EXCLUSION PEUT NE PAS S'APPLIQUER DANS VOTRE CAS.

### **GARANTIES TACITES / RÉGLEMENTATION**

Toutes les garanties tacites, incluant la garantie implicite de qualité marchande et de pertinence dans un but particulier, imposées par la réglementation de l'état ou de la province d'achat, sont limitées à une durée de deux (2) ans à compter de la date d'achat d'origine. Certains états ou provinces ne permettent pas les limitations ayant trait à la durée d'une garantie tacite. La présente garantie vous donne des droits légaux précis et vous pouvez avoir d'autres droits pouvant varier d'un état à l'autre ou d'une province à l'autre.

### **SERVICE**

Pour obtenir du service :

KOBE Range Hoods  
11775 Clark Street  
Arcadia, CA 91006  
U.S.A  
Tél.: (626) 775-8880  
Courriel: [customer.service@KOBERangeHoods.com](mailto:customer.service@KOBERangeHoods.com)  
Site Web: [www.KOBERangeHoods.com](http://www.KOBERangeHoods.com)

## ENREGISTREMENT DU PRODUIT

### Enregistrez votre produit !

Toute défaillance couverte par la garantie se produisant dans les deux ans à compter de la date d'achat d'origine et découlant d'une fabrication ou d'une matière première défectueuse sera réparée (ou, à notre discrétion, l'appareil pourra être remplacé), sans frais, par un agent autorisé de KOBE Range Hoods. ou par KOBE Range Hoods. selon le cas. Conservez votre preuve d'achat (ou facture d'origine) pour inspection.

Si la hotte de cuisinière est vendue par l'acheteur d'origine au cours de la période de garantie, le nouveau propriétaire sera protégé jusqu'à l'expiration de la garantie de l'acheteur d'origine. Voir le certificat de garantie pour la couverture complète de la garantie.

Cet appareil a été fabriqué, mis à l'essai et inspecté conformément aux normes exigées par KOBE Range Hoods.

### SVP, POSTER VOTRE FICHE D'ENREGISTREMENT DE PRODUIT AVEC VOTRE PREUVE D'ACHAT À:

KOBE Range Hoods  
Warranty Registration  
11775 Clark Street  
Arcadia, CA 91006  
U.S.A.

### INSCRIRE LES RENSEIGNEMENTS SUIVANTS POUR NOS DOSSIERS :

N° de modèle \_\_\_\_\_

N° de série \_\_\_\_\_

Date d'achat \_\_\_\_ / \_\_\_\_ / \_\_\_\_

Nom et adresse du détaillant :

\_\_\_\_\_  
\_\_\_\_\_  
\_\_\_\_\_

**IMPORTANT : VEUILLEZ AVOIR EN MAIN UNE COPIE DE VOTRE FACTURE LORSQUE VOUS EFFECTUEZ UN APPEL DE SERVICE.**

**KOBE**<sup>®</sup>

KOBE Range Hoods  
11775 Clark Street  
Arcadia, CA 91006

<http://www.KOBERangeHoods.com>

Cette hotte KOBE est fabriquée pour utilisation aux ÉTATS-UNIS et au CANADA uniquement. Nous ne recommandons pas l'utilisation de cette hotte outremer puisque l'alimentation électrique peut ne pas être compatible et peut enfreindre le code électrique de ce pays. **Utiliser une hotte KOBE outremer est à vos propres risques et annulera toute garantie.**

Information subject to change without notice.

VER.091210

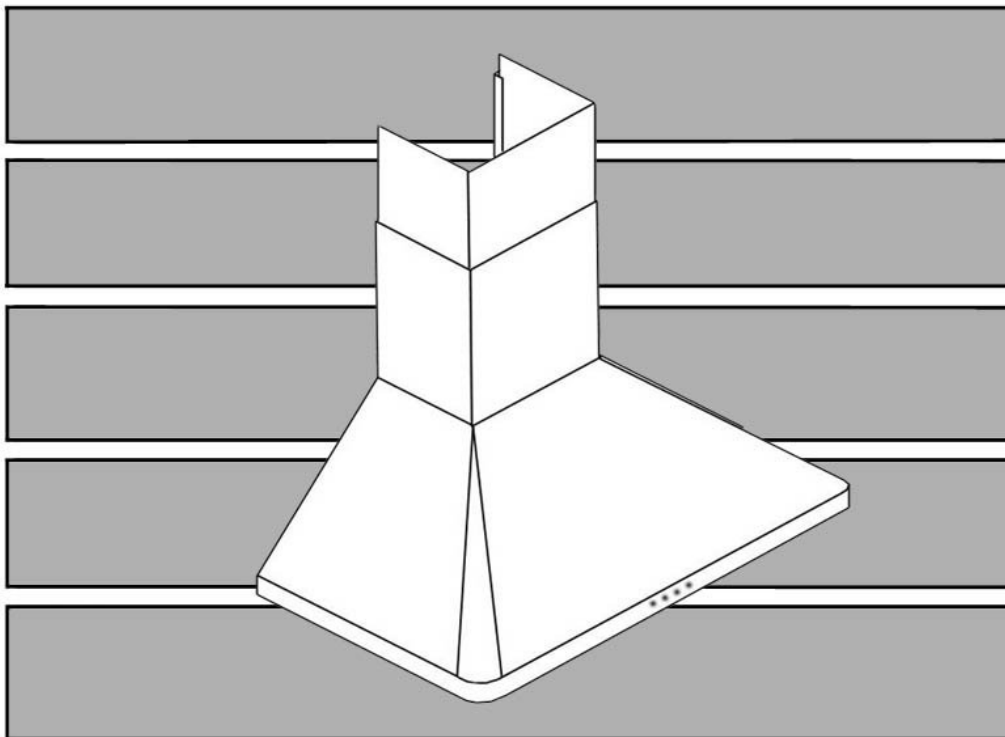




**KOBE**® Campana de Extracción  
**KOBE**

**Modelo No. RA9430SQB  
RA9436SQB**

**SERIE RA-094 – 12” DE ALTURA**



**INSTRUCCIONES DE INSTALACIÓN Y MANUAL DE  
OPERACIÓN**

- LEA Y CONSERVE ESTAS INSTRUCCIONES -

## ÍNDICE

INSTRUCCIONES IMPORTANTES DE SEGURIDAD .....	49
COMPONENTES DEL PAQUETE.....	51
INSTALACIÓN.....	52
INSTRUCCIONES DE OPERACIÓN .....	56
MANTENIMIENTO .....	57
ESPECIFICACIONES .....	59
MEDIDAS Y DIAGRAMAS .....	60
LISTADO DE PIEZAS .....	61
DIAGRAMA DE CIRCUITO .....	63
INSTRUCCIONES IMPORTANTES DE SEGURIDAD.....	64
CLÁUSULA DE EXENCIÓN.....	65
GARANTÍA.....	66
REGISTRO DEL PRODUCTO .....	68

- LEA CUIDADOSAMENTE TODAS LAS INSTRUCCIONES ANTES DE  
COMENZAR -

TODO EL CABLEADO DEBE HACERLO UN PROFESIONAL Y  
DE ACUERDO CON LOS CÓDIGOS ELÉCTRICOS NACIONALES Y  
LOCALES



## INSTRUCCIONES IMPORTANTES DE SEGURIDAD

- POR FAVOR, LEA CUIDADOSAMENTE ESTA SECCIÓN ANTES DE LA INSTALACIÓN -

**⚠️ ADVERTENCIA:** PARA REDUCIR EL RIESGO DE INCENDIO, ELECTROCUCIÓN O LESIONES PERSONALES, TOMA EN CUENTA LO SIGUIENTE:

- 1) La instalación y el cableado eléctrico deben hacerse por profesionales calificados y de acuerdo con todos los códigos y estándares aplicables, incluyendo los códigos y normas sobre la construcción para prevenir incendios.
- 2) Cuando corte o barrene en paredes o techo, tenga cuidado de no dañar el cableado eléctrico u otras instalaciones de servicios ocultas.
- 3) Los ventiladores con conductos deben ventilarse hacia afuera.
  - a) Antes de hacerle servicio o limpiar la unidad, abra el panel de luz y **DESCONECTE EL SUMINISTRO ELÉCTRICO EN EL PANEL DE SERVICIO.**
  - b) Limpie con frecuencia todas las superficies saturadas con grasa. Para reducir el riesgo de incendios y para dispersar el aire apropiadamente, asegúrese de ventilar el aire hacia afuera. **NO ventile el aire del escape en paredes, áticos, espacios entre pisos o garajes.**

NOTA - Esta garantía no es válida sin un recibo de un agente autorizado o si la unidad está dañada debido al uso incorrecto, mala instalación, uso inapropiado, maltrato, negligencia o cualquier otra circunstancia fuera de control de los agentes autorizados de KOBE RANGE HOODS. Cualquier reparación realizada sin la supervisión de los agentes autorizados de KOBE RANGE HOODS automáticamente invalida la garantía.

- KOBE RANGE HOODS no se hace responsable por cualquier daño a la propiedad privada o inmueble o cualquier herida a personas que hayan sido causadas directa o indirectamente por la campana de extracción.

**⚠️ ADVERTENCIA:** PARA REDUCIR EL RIESGO QUE OCURRAN LESIONES PERSONALES EN CASO DE UN INCENDIO CAUSADO POR LA GRASA ACUMULADA EN LAS HORNILLAS DE LA ESTUFA:

- Mantenga todos los ventiladores, deflectores/separadores/filtros/conductos de aceite/recipientes para aceite y superficies con grasa acumulada limpias. No debe permitirse la acumulación de grasa en ventiladores, deflectores/separadores/filtros/conductos de aceite/recipientes para aceite.
- Siempre mantenga ENCENDIDO su extractor cuando cocine.
- Utilice las configuraciones altas en la estufa SOLAMENTE cuando sea necesario.
- No deje la estufa sin supervisión cuando esté cocinando.
- Siempre utilice utensilios de cocina apropiados para el tipo y cantidad de comida que prepare.
- Utilice esta unidad en la forma indicada por el fabricante.
- Antes de darle servicio, desconecte el suministro eléctrico en el panel de servicio y cierre bajo llave el panel de servicio (de ser posible) para prevenir que la unidad se encienda accidentalmente.
- Limpie el ventilador con frecuencia.

### Qué hacer en caso de Incendio por Grasa Acumulada en las Hornillas de la Estufa

- SOFOQUE LAS LLAMAS con una tapadera, bandeja para hornear galletas o bandeja de metal, y luego apague la hornilla. MANTENGA EL MATERIAL INFLAMABLE O COMBUSTIBLE LEJOS DE LAS LLAMAS. Si las llamas no se apagan inmediatamente, EVACUE EL ÁREA Y LLAME AL DEPARTAMENTO DE BOMBEROS o al 911.
- NUNCA LEVANTE UN SARTÉN QUE SE ESTÉ QUEMANDO – Usted Podría Quemarse.
- NO UTILICE AGUA, incluyendo paños o toallas mojadas- esto resultará en una explosión violenta de vapor.
- Utilice un extinguidor SOLO si:
  - a) Cuenta con un extinguidor Clase A, B, C y sabe como utilizarlo.
  - b) El incendio es pequeño y se ha contenido en el área donde comenzó.
  - c) Ha llamado al departamento de bomberos.
  - d) Puede combatir el incendio con su espalda dirigida hacia una salida.

### Qué hacer si Siente Olor a Gas

- Apague cualquier llama abierta.
- No intente encender las luces o cualquier otro tipo de aparato.
- Abra todas las puertas y ventanas para dispersar el gas. Si aún siente olor a gas, llame a la Compañía de Gas o al Departamento de Bomberos inmediatamente.

## **⚠ PRECAUCIÓN**

- 1) Solamente para ventilación general. No utilizar para eliminar materiales y vapores peligrosos o explosivos.
- 2) Para reducir el peligro de incendio, utilice solamente una red de conductos metálicos. Necesita aire suficiente para la combustión y eliminación de gases por medio del conducto de ventilación (chimenea) para prevenir la explosión de flujo de aire en retroceso.
- 3) Siga las directrices y estándares de seguridad del fabricante del equipo de calefacción, tales como aquellos publicados por la Asociación de Protección contra Incendios (National Fire Protection Association – NFPA) y la Sociedad Americana de Ingenieros en Calefacción, Refrigeración y Aire Acondicionado (American Society for Heating, Refrigeration and Air Conditioning Engineers – ASHRAE) y las autoridades normativas.
- 4) Activar cualquier interruptor podría causar una explosión o ignición.
- 5) Debido al tamaño y peso de esta campana de extracción, se recomienda que la instalación sea realizada por dos personas.

### **⚠ ADVERTENCIA**



**RIESGO DE ELECTROCUCIÓN – Puede resultar en lesiones serias o la muerte. Desconecte el aparato del suministro eléctrico antes de darle servicio. Si estuviera equipado con éste, el foco fluorescente debido a que contiene pequeñas cantidades de mercurio, deberá reciclarse o desecharse según los Códigos Locales, Estatales y Federales.**

## COMPONENTES DEL PAQUETE

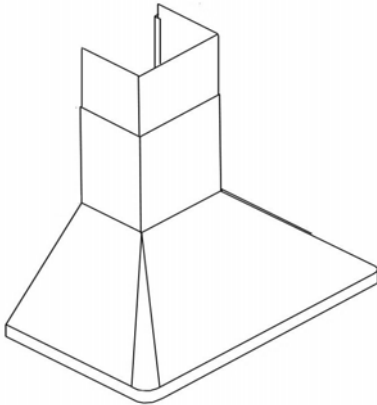
(Debe conservar todo el material en caso de devolverlo o solicitar un reembolso)

### Caja de la Campana de Extracción

Modelo No. RA9430SQB  
RA9436SQB

- {A} Campana de Extracción KOBE-1
- {B} Tarjeta de Registro para Garantía-1
- {C} Manual de Instrucciones-1
- {D} Soporte de Montaje para la Campana – 2
- {E} Paquete de Tornillos – 1

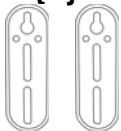
{A}



{B}  
{C}



{D} {E}



M4 x 8mm (6 piezas)

**\*Adheridos a la Campana**

{F} Filtros Deflectores

- 2 (para campana de 30")
- 3 (para campanas de 36")

{G} Manija del Deflector

- 2 (para campanas de 30")
- 3 (para campanas de 36")

{H} Paquete de Tornillos – 1

{F}



{G}



{H}



M4 x 8mm (4 piezas)

◆ PARA MÁS INFORMACIÓN, POR FAVOR VISITE NUESTRO SITIO EN INTERNET [www.KOBERangeHoods.com](http://www.KOBERangeHoods.com) O CONTACTE A KOBE RANGE HOODS AL TELÉFONO (626) 775-8880.

## INSTALACIÓN

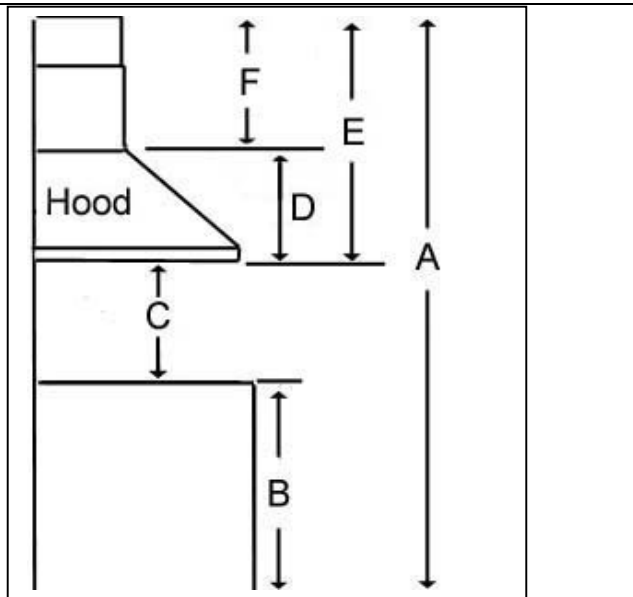
POR FAVOR, LEA LAS INSTRUCCIONES COMPLETAMENTE ANTES DE CONTINUAR

### Cálculo antes de la Instalación

Para realizar el cálculo para la instalación, por favor consulte la TABLA 1. (Todos los cálculos están hechos en pulgadas).

**TABLA 1**

A = Altura del Piso al Techo  
B = Altura del Piso a la Superficie del Mostrador  
(Estándar: 36")  
C = **Altura Preferida de la Superficie del Mostrador a Parte Inferior de la Campana (Se recomienda de 27" a 30")**  
D = Altura de la Campana  
E = Altura de Instalación de la Campana  
[A - (B+C)]  
F = Altura de la Cubierta de Conductos  
[E - D]



### **⚠ ADVERTENCIA DE SEGURIDAD**

LA CAMPANA PODRÍA TENER EXTREMOS SUMAMENTE FILOSOS; FAVOR DE UTILIZAR GANTES PROTECTORES SI VA A RETIRAR CUALQUIER PIEZA PARA INSTALAR, LIMPIAR O DARLE SERVICIO.

NOTA: TENGA MUCHO CUIDADO AL UTILIZAR UN DESTORNILLADOR ELÉCTRICO; PODRÍA CAUSAR DAÑOS A LA CAMPANA.

## Preparación antes de la Instalación

NOTA: PARA EVITAR CAUSAR DAÑOS A SU CAMPANA, EVITE QUE DESECHOS PENETREN EN LA RENDIJA DE VENTILACIÓN

- Decida la ubicación para colocar el conducto de ventilación de la campana hacia el exterior. (Figura 1)
- Un ducto de escape recto y corto permitirá que la campana trabaje con más eficiencia.
- Intente evitar tantas conexiones, codos y ductos largos como sea posible. Esto podría reducir el rendimiento de la campana.
- Antes de instalar, conecte temporalmente la campana para verificar que funcione adecuadamente. Consulte el paso 8 y 9 y la figura 8 en la página 54.
- **Importante: Retire la película protectora de la campana.**
- Utilice cinta aislante (duct tape) para sellar las uniones entre las secciones de los conductos.
- Si fuera necesario, prepare un marco de respaldo para la pared con madera de entramado para asegurar la instalación. Consulte la Tabla 1 y a las medidas en la página 60 para decidir el nivel de la madera. (Figura 2)
- Afloje los soportes de montaje para la campana en la parte posterior de la misma. Ajuste los soportes y apriete los tornillos como se muestra en la Figura 3.
- Si fuera necesario, remueva la base de goma en la parte posterior de la campana y deséchela. (Figura 4)

## Instalación de la Campana

**PRECAUCIÓN:** Si fuera necesario mover la estufa para instalar la campana, asegúrese de desconectar el suministro eléctrico en una estufa eléctrica, en la caja eléctrica principal. APAGUE EL GAS ANTES DE MOVER UNA ESTUFA DE GAS.

1. Utilizando las referencias en la Tabla 1 y las medidas en la Página 60, marque el punto de los lugares de nivel para colocar los soportes de montaje de la campana en la pared.
2. Coloque dos tornillos de montaje en la pared (no incluidos), dejando un espacio de 1/8" desde la pared. (Figura 5)
3. Alinee los soportes de montaje de la campana con los tornillos de montaje en la pared y cuelgue la campana en su lugar.

Figura 1

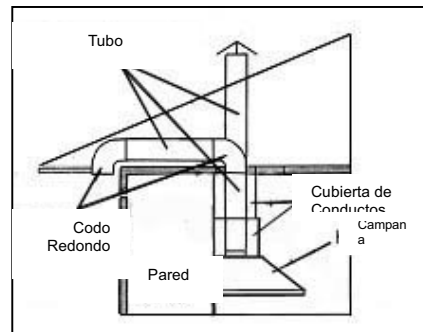


Figura 2

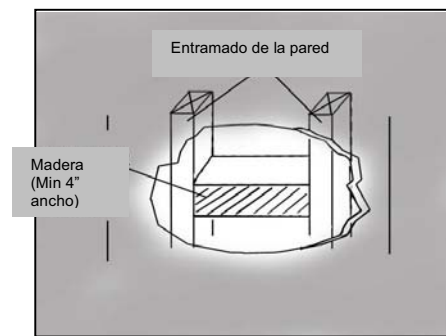


Figura 3

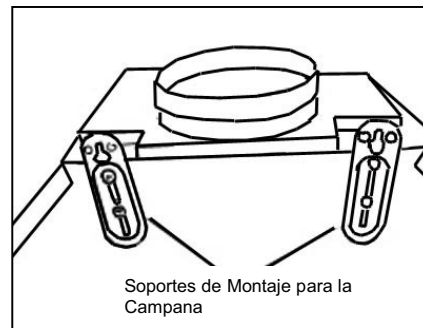
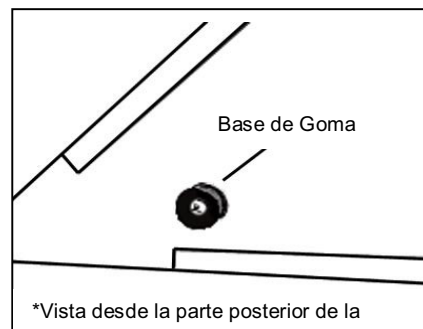
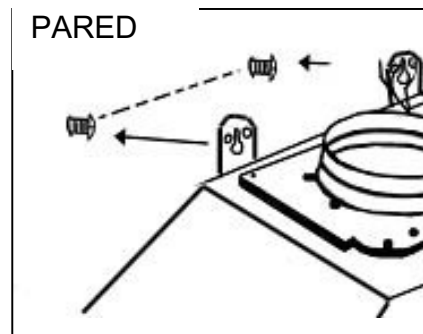


Figura 4



- Asegure y apriete los tornillos del soporte. **PRECAUCIÓN: ASEGÚRESE QUE LA CAMPANA ESTÉ FIJA ANTES DE SOLTARLA.**

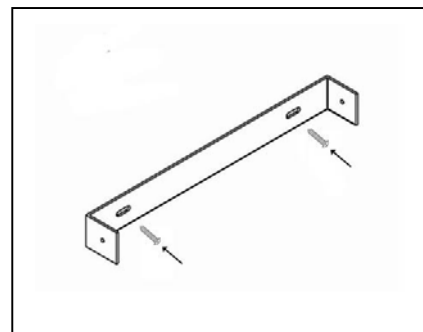
Figura 5



### Instalación de la Red de Conductos

- Utilizando la Referencia E de la Tabla 1 y las medidas en la Página 60, marque el punto de nivel para el soporte para el montaje de la cubierta de conductos.
- Asegure el soporte de montaje de la cubierta de conductos en la pared con dos tornillos (no incluidos). (Figura 6) Asegúrese que todos los tornillos estén apretados. **NOTA:** La cubierta de conductos interna cubrirá el soporte de montaje para la cubierta de conductos.
- Utilice un tubo de aluminio o acero (no incluido) para conectar escape plástico de la campana con la red de conductos de arriba. Utilice cinta aislante para asegurarse que todas las uniones estén seguras y herméticas como se muestra en la Figura 7.

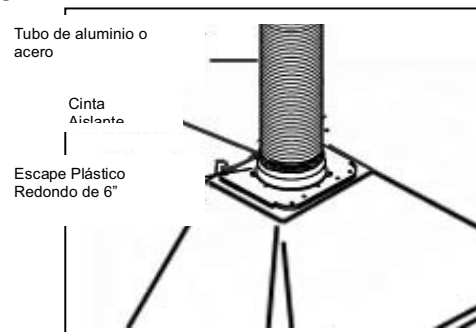
Figura 6



### Cableado Hacia la Fuente de Alimentación

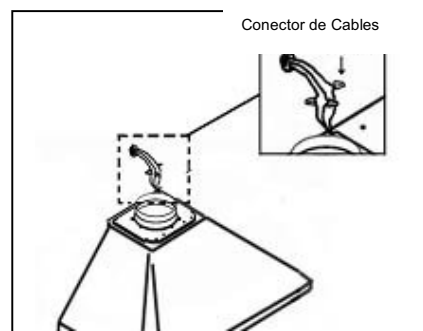
**⚠️ ADVERTENCIA DE SEGURIDAD**  
**RIESGO DE ELECTROCUCIÓN. ESTA CAMPANA DE EXTRACCIÓN DEBERÁ TENER UNA CONEXIÓN A TIERRA ADECUADA. ASEGÚRESE QUE ESTO SE REALICE POR UN ELECTRICISTA CALIFICADO Y DE ACUERDO CON TODOS LOS CÓDIGOS ELÉCTRICOS NACIONALES Y LOCALES CORRESPONDIENTES. ANTES DE CONECTAR LOS CABLES, DESCONECTE EL SUMINISTRO ELÉCTRICO EN EL PANEL DE SERVICIO Y CIERRE BAJO LLAVE EL PANEL PARA PREVENIR QUE LA UNIDAD SE ENCIENDA ACCIDENTALMENTE.**

Figura 7



- Conecte los tres cables (negro, blanco y verde) y tape con conectores de cables. Conecte de acuerdo a su color: negro con negro, blanco con blanco, y verde con verde como se muestra en la Figura 8
- Pruebe el funcionamiento de la campana antes de realizar el siguiente paso. Asegúrese que la electricidad llegue a la campana.

Figura 8



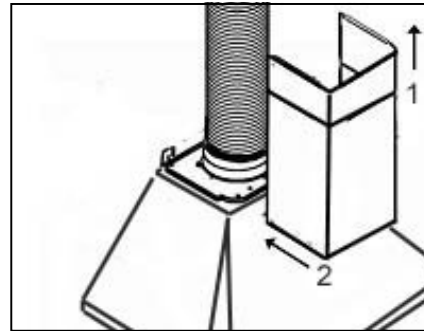
### Instalación de la Cubierta de Conductos

- Deslice la cubierta de conductos interior hacia arriba 2 pulgadas antes de deslizar completamente la cubierta de conductos sobre la campana. (Figura 9)
- Alinee la cubierta de conductos interior sobre el soporte de montaje para la cubierta de conductos.



Asegure la cubierta de conductos interna Figura 9 con dos tornillos (4x8 mm) (incluidos).

12. Sujete la cubierta de conductos exterior a la placa plástica en la campana, utilizando cuatro tornillos (4x8 mm) (incluidos).



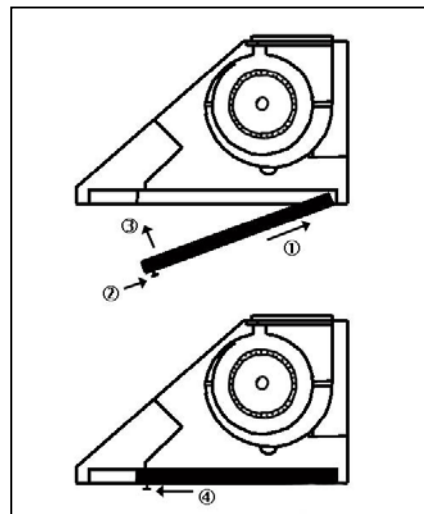
### Instalación de Accesorios

13. Coloque los filtros deflectores debajo de la campana. Consulte la Figura 10.

### Ensamblaje Final

14. Encienda la unidad en el panel de control. Verifique el funcionamiento de todas las luces y el ventilador.
15. Asegúrese de dejar este manual con el propietario de la vivienda.

Figura 10

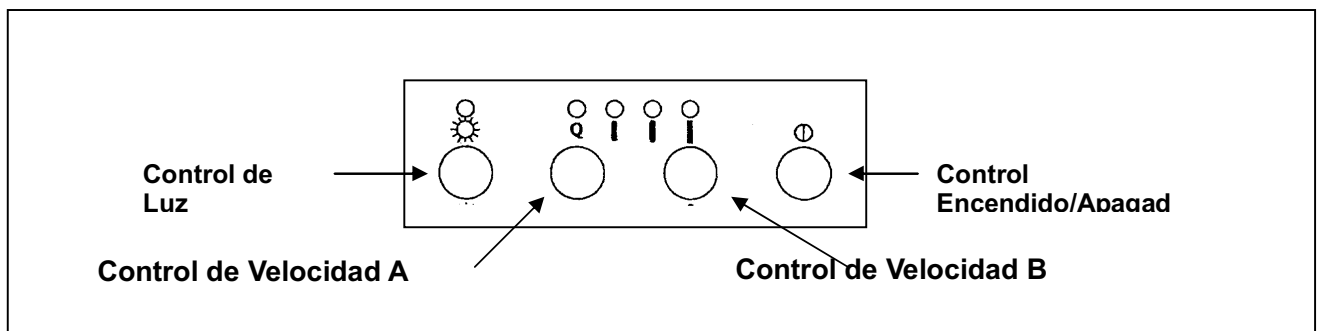


## INSTRUCCIONES DE OPERACIÓN

Esta campana de extracción KOBE está equipada con cuatro controles electrónicos con una función de encendido con modalidad de espera de 10 segundos y una función de apagado retardado de 30 segundos, una poderosa jaula de ardilla centrífuga con filtros deflectores y dos focos brillantes de halógeno de 12 voltios 20 vatios.

Los cuatro controles electrónicos son Control de Luz, Control de Velocidad A, Control de Velocidad B y Control Encendido/Apagado. Consulte la Figura 11.

Figura 11



### ENCENDIDO:

- Oprima el Botón de Control de Encendido/Apagado una vez.  
(Nota: Si cualquiera de los botones de control no se presionan en 10 minutos, la unidad será apagada automáticamente).
- La campana de extracción KOBE iniciará en velocidad Baja. Cada vez que se presione el botón de Control de Velocidad se irá avanzando en los varios ciclos de velocidad.
- Oprima el botón de Control de Velocidad A para avanzar del ciclo Bajo, a Medio, a Alto o Modo Silencioso (QuietMode™). Oprima el botón de Control de Velocidad B para avanzar del ciclo Bajo, Modo Silencioso (QuietMode™), a Alto o Medio.  
(Nota: El Control de Velocidad A o B operará ambos ventiladores.)
- Oprima el botón de Control de Luz para encender el foco de halógeno.

### APAGADO:

- Oprima el botón de Control de Encendido/Apagado una vez, las luces del panel titilarán y la unidad se apagará completamente luego de 30 segundos.

U

- Oprima el botón de Control de Encendido/Apagado dos veces y la unidad se apagará inmediatamente.
- Si solamente las luces están encendidas, presionar el botón de Control de Encendido/Apagado apagará la unidad luego de 30 segundos.

## MANTENIMIENTO

### **⚠ ADVERTENCIA DE SEGURIDAD**

**NUNCA COLOQUE SUS MANOS DENTRO DE LA CAJA DEL VENTILADOR MIENTRAS ESTE SE ENCUENTRE FUNCIONADO.**

### **Limpieza de la Superficie de la Campana de Extracción**

**⚠ PRECAUCIÓN:** NUNCA UTILICE LIMPIADORES, ALMOHADILLAS O PAÑOS ABRASIVOS. NO UTILICE TOALLAS DE PAPEL SOBRE EL ACERO INOXIDABLE.

Para un funcionamiento óptimo, limpie la campana de extracción y todos los deflectores/separadores/filtros/conductos de aceite/recipientes para aceite con regularidad.

\*\*\* El cuidado regular ayudará a preservar la apariencia de la campana.

1. Utilice solamente jabón o soluciones detergentes suaves. Seque las superficies utilizando un paño suave.
2. Si la campana se ve manchada (campana de acero inoxidable), utilice un limpiador para acero inoxidable para limpiar la superficie de la campana. Evite que la solución de limpieza caiga sobre o en el panel de control. Siga las instrucciones del limpiador de acero inoxidable. **Precaución: No lo deje por mucho tiempo pues podría dañar el acabado de la campana.** Utilice una toalla suave para limpiar la solución de limpieza y frote cuidadosamente cualquier área difícil de limpiar. Utilice una toalla suave y seca para secar la campana.
3. NO permita que depósitos se acumulen o permanezcan sobre la campana.
4. NO utilice lana de acero o cepillos de acero ordinarios. Pequeños pedazos de acero podrían adherirse a la superficie y causar óxido.
5. NO permita que soluciones de sal, desinfectantes, blanqueadores o compuestos de limpieza permanezcan en contacto con el acero inoxidable por periodos de tiempo prolongados. Muchos de estos compuestos contienen químicos, que podrían ser perjudiciales. Enjuague con agua después del contacto y seque con un paño limpio libre de pelusas.

### **Para Limpiar el Filtro Deflector**

**PRECAUCIÓN: ESCURRA EL ACEITE DE LOS FILTROS DEFLECTORES ANTES QUE EL ACEITE PUEDA DERRAMARSE.**

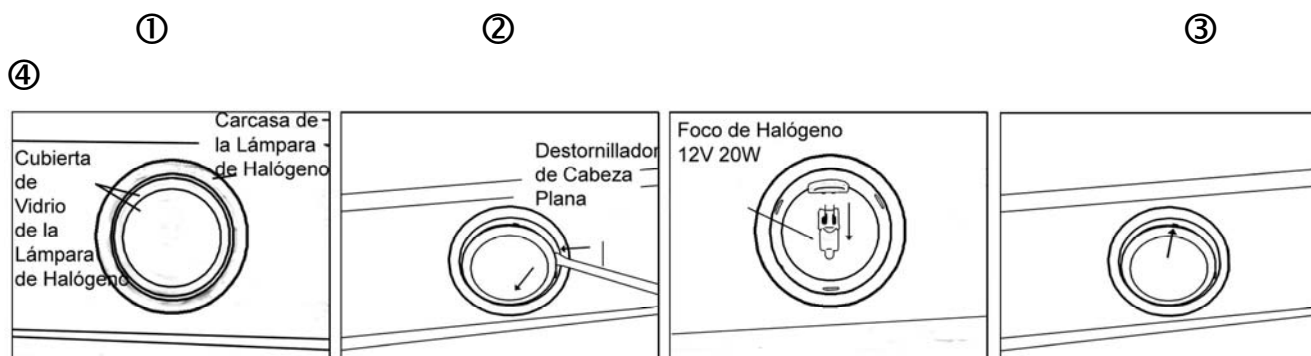
1. Remueva todos los filtros deflectores.
2. Lave con agua tibia jabonosa. Seque completamente antes de colocarlo de nuevo en su lugar.

*(Nota: Los Filtros Deflectores pueden colocarse en el tramo superior del lavaplatos automático.)*

## Para Reemplazar el Foco

**PRECAUCIÓN: ¡LA UNIDAD DE LA LÁMPARA DE HALÓGENO PODRÍA ESTAR CALIENTE! ESPERE HASTA QUE SE ENFRÍE**

**NOTA: NO TOQUE LA LÁMPARA DE HALÓGENO CON LAS MANOS DESPROTEGIDAS, PUES PODRÍA CAUSAR SOBRECALENTAMIENTO Y REDUCIR EL TIEMPO DE VIDA DE LOS FOCOS.**



1. Asegúrese que todos los controles se encuentren APAGADOS y que la campana de extracción se encuentre desconectada.
2. Coloque el destornillador de cabeza plana en la ranura localizada entre la cubierta de vidrio de los focos de halógeno y la carcasa ①.
3. Retire cuidadosamente la cubierta de vidrio de la carcasa ②.
4. Hale suavemente el foco inservible ③ y deséchelo. Los focos deberán ser de 12V 20W como máximo.
5. Utilice un guante o un paño para sujetar el nuevo foco y empújelo para colocarlo en el receptáculo para focos. NOTA: NO LO EMPUJE DEMASIADO FUERTE PUES PODRÍA QUEBRAR EL CONECTOR PARA FOCO.
6. Coloque nuevamente la cubierta de vidrio de los focos de halógeno ④.
7. Enchufe nuevamente el cable de corriente y encienda la campana de extracción para verificar su funcionamiento.

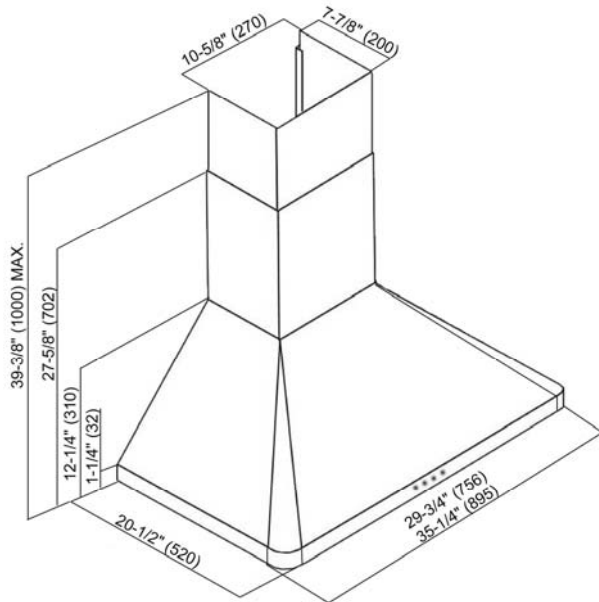
## ESPECIFICACIONES

<b>MODELO /TAMAÑO</b>	RA9430SQB / 30" RA9436SQB / 36"				
<b>COLOR</b>	Acero Inoxidable de Clasificación Comercial				
<b>CONSUMO/ AMPERAJE</b>	RA9430SQB - 215W / 1.79A RA9436SQB - 215W / 1.79A				
<b>VOLTAJE</b>	120V 60Hz				
<b>NUMERO DE MOTORES</b>	1				
<b>DISEÑO</b>	Liso Calibre 18/ Acabado Satinado				
<b>TIPO DE VENTILADOR</b>	Jaula de Ardilla Horizontal Doble				
<b>EXTRACTOR</b>	Superior Circular de 6"				
<b>CONTROLES</b>	Control Electrónico (4 Botones) – Función de Activación con 10 segundos en Espera Función de Desactivación con 30 segundos de Retraso				
<b>FOCOS DE HALÓGENO</b>	RA9430SQB - 12V 20W x 2 RA9436SQB - 12V 20W x 2				
<b>DIMENSIÓN DE LA CAMPANA</b>	(RA9430SQB) 29-3/4" x 20-1/2" x 12-1/4" (RA9436SQB) 35-1/4" x 20-1/2" x 12-1/4"				
<b>ACCESORIOS OPCIONALES</b>	<b>1) Modelo No. RA0931DC</b> 1-Pieza de Extensión de la Cubierta de Conductos para Techos de 9'~10' <b>2) Modelo No. RA0946DC</b> 1-Pieza de Extensión de la Cubierta de Conductos para Techos de 10'~11' <b>3) Modelo No. SSP36 SSP30</b> Panel Posterior de Acero Inoxidable de 30" (30" x 1/10" x 32") Panel Posterior de Acero Inoxidable de 36" (36" x 1/10" x 32")				
<b>PESO (lbs)</b>			<u><b>Neto</b></u>	<u><b>Bruto</b></u>	
	<b>(RA9430SQB)</b>		42.0	62.0	
	<b>(RA9436SQB)</b>		46.0	68.0	
<b>VELOCIDAD</b>	<b>Modo</b>	<b>Silencioso</b>	<b>Baja</b>	<b>Media</b>	<b>Alta</b>
	<b>(QuietMode™)</b>				
<b>Capacidad de Aire (cfm)</b>	280		420	580	760
<b>Sonio*</b>	1.2*		2.0	2.8	4.5

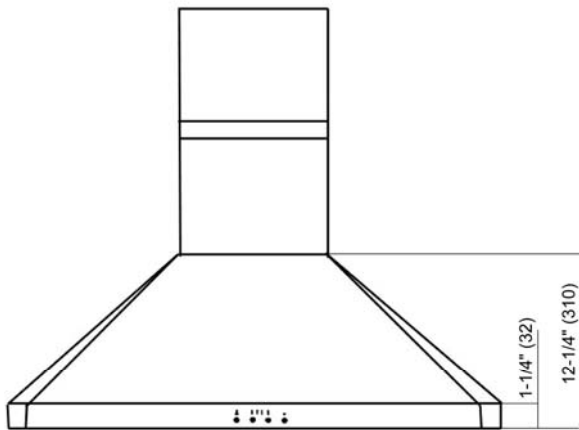
\*Un Sonio equivale al sonido de un refrigerador a 40 decibeles.

\*\*Información de las especificaciones está sujeta a cambio sin previo aviso.

# MEDIDAS Y DIAGRAMAS

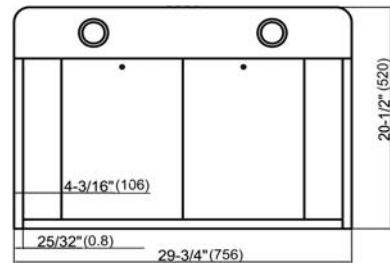


Vista Frontal

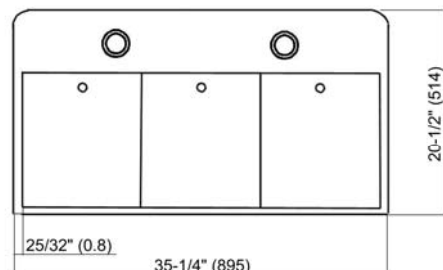


Vista desde Abajo

Campana de 30"



Campana de 36"

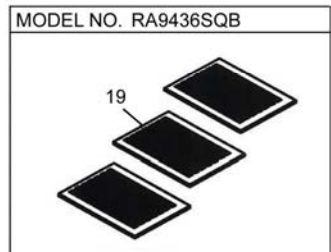
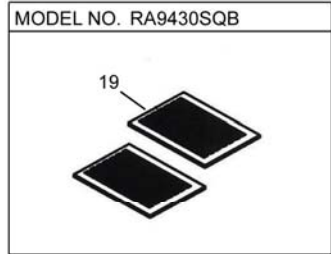
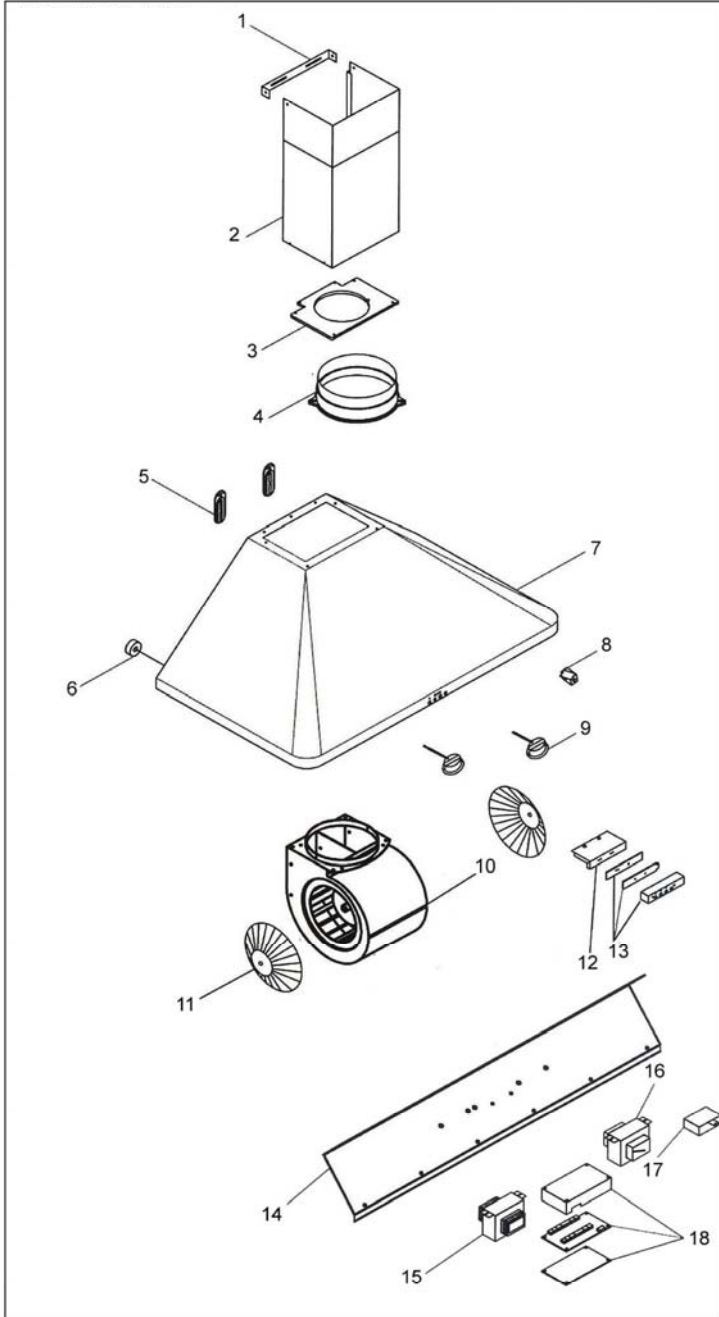


## LISTADO DE PIEZAS

**MODELO**      **RA9430SQB**  
**NO.:**            **RA9436SQB**

NO.	DESCRIPCIÓN	MODELO TAMAÑO	/    PIEZA NO.
1	Soporte de Montaje de Cubierta de Conductos		C1-0203-0092
2	Cubierta de Conductos	RA9236DC	B102-0192
3	Placa de Plástico		C1-0506-0092
4	Escape Redondo Plástico de 6"		C1-0505-0001
5	Soporte de Montaje de la Campana		C1-0221-0001
6	Base de Goma		C1-0510-0101
7	Carcasa de la Campana	RA9430SQB	RA-2530-A
		RA9436SQB	RA-25900-A
8	Caja de Cableado		C1-0231-2590
9	Focos de Halógeno (12V 20W)		C1-0403-0001
10	Cámara de Aire y Motor		C1-0302-A120-01
11	Pantalla de Seguridad		C1-0602-0103
12	Soporte del Panel de Control		C1-0207-2590
13	Panel de Control		C1-0404-4001
14	Soporte del Componente Eléctrico	RA9430SQB	C1-0201-2530
		RA9436SQB	C1-0201-2590
15	Transformador (Luz)		C1-0402-0120-40
16	Transformador (Motor)		C1-0402-A120-01
17	Condensador		C1-0401-0240-03
18	Placa del Procesador		C1-0404-0401-B
19	Filtro Deflector		B101-2590-15

MODELO RA9430SQB  
NO.: RA9436SQB

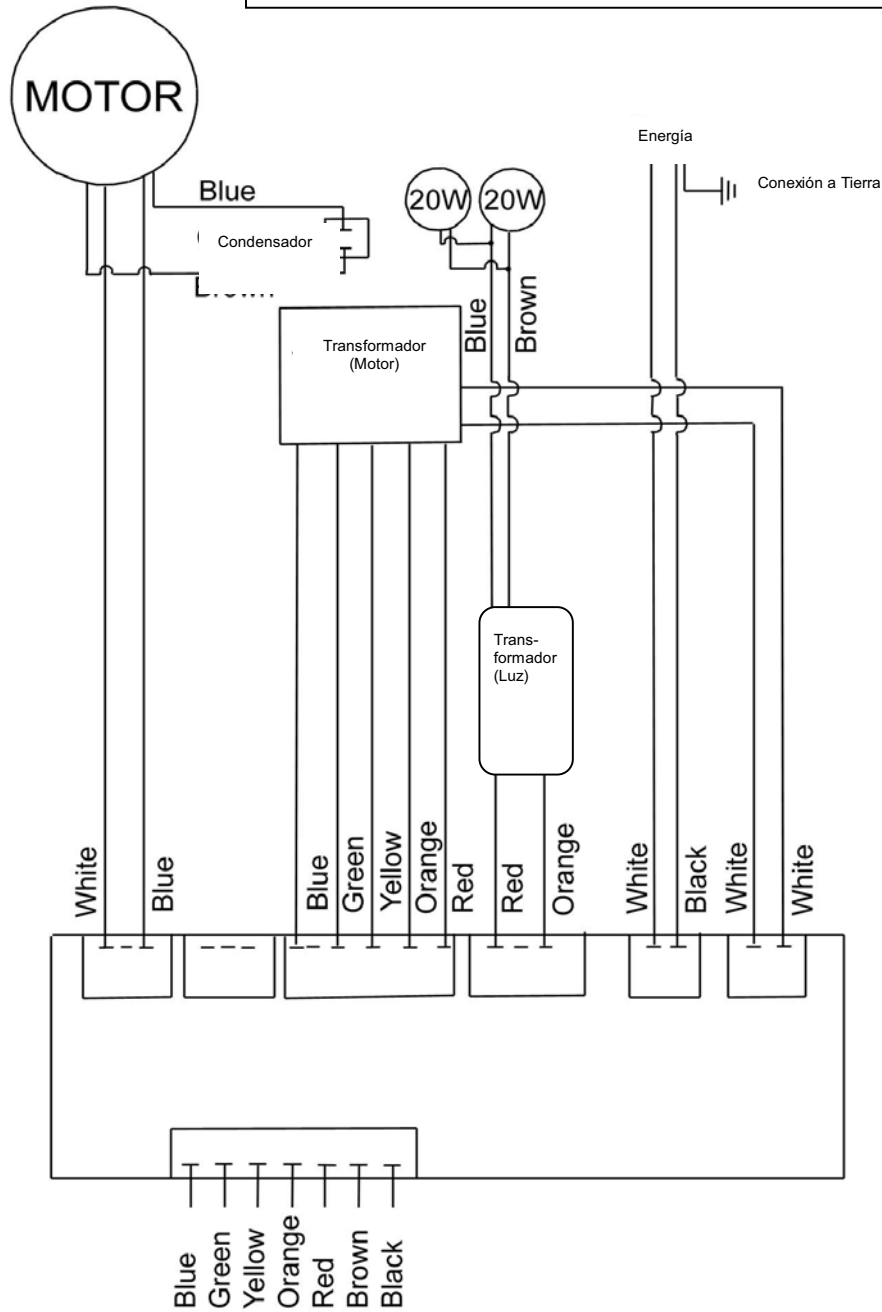




# DIAGRAMA DE CIRCUITO

**MODELO** RA9430SQB  
**NO.:** RA9436SQB

White = Blanco	Blue = Azul	Green = Verde
Yellow = Amarillo	Orange = Naranja	Red = Rojo
Brown = Café	Black = Negro	



## INSTRUCCIONES IMPORTANTES DE SEGURIDAD

Problema	Posible Causa	Solución
Después de la Instalación, ninguno de los motores ni las luces están funcionando.	No está encendido.	Asegúrese que el interruptor de circuitos y la unidad se encuentren encendidos. Utilice un medidor de voltaje para verificar la energía de entrada.
	La conexión de cables no está bien sujeta.	Verifique y ajuste la conexión de cables.
	El cableado del panel de control y la placa de procesador está desconectado.	Verifique la continuidad del cable desde el panel de control hasta la placa de procesador.
	El transformador del motor está defectuoso.	Verifique la entrada y salida de la corriente el transformador del motor. De ser necesario, reemplace el transformador del motor.
	El panel de control y la placa de procesador están defectuosos.	Reemplace el panel de control o la placa de procesador.
Las luces están funcionando pero el(los) motor(es) no.	El/los motor(es) está(n) defectuoso(s).	Reemplace el motor.
	El/los condensador(es) está(n) defectuoso(s).	Reemplace el(los) condensador(es).
	El panel de control o la placa de procesador están defectuosos.	Reemplace el panel de control o la placa de procesador.
La campana de extracción está vibrando.	El sistema de ventilador no está bien sujeto.	Tighten the turbine impeller/squirrel cage and air chamber.
	El impulsor de turbina/jaula de ardilla no está balanceado.	Ajuste el impulsor de turbina/jaula de ardilla y la cámara de aire.
	La campana no está bien sujeta en su lugar	Verifique la instalación de la campana, ajuste el soporte de montaje.
El motor está funcionando pero las luces no.	El(los) foco(s) de la Lámpara de Halógeno está(n) defectuoso(s).	Intente colocar el foco que le está dando problemas en otro receptáculo que funcione, si aún así éste no funciona, reemplace el foco de halógeno.
	El cableado de la luz está flojo.	Verifique la continuidad del cable desde la placa de procesador al transformador de la luz hasta la caja de la lámpara de halógeno.
	El transformador de la luz está defectuoso.	Verifique la entrada y salida de la corriente en el transformador de la luz. De ser necesario, reemplace el transformador de la luz.
	El panel de control o la placa de procesador están defectuosos.	Reemplace el panel de control o la placa de procesador.
La campana de extracción no está ventilando correctamente.	La campana de extracción no se encuentra instalada en el espacio recomendando por el fabricante.	Ajuste el espacio entre la campana y la parte superior de la estufa a 27" a 30". Para la campana de cocina de isla, el espacio entre la campana y la parte superior de la estufa deberá ser de 30" a 36"
	No hay aire de reposición en la casa.	Abra la ventana para optimizar el rendimiento de la campana de extracción creando suficiente aire de reposición.
	Una obstrucción bloquea la red de conductos.	Remueva todas las obstrucciones de la red de conductos.
	El tamaño del tubo es más pequeño que el tubo recomendado.	Cambie los tubos de acuerdo con la recomendación del fabricante.
Aire frío entra en la casa	La conexión de los conductos no está sellada correctamente.	Verifique la instalación de los tubos
	El regulador no está instalado adecuadamente o no ha sido instalado.	Verifique la instalación del regulador.
	El regulador no está instalado.	Instalar el regulador le ayudará a eliminar el reflujó de aire.

## CLÁUSULA DE EXENCIÓN

1. **INSPECCIONE CUIDADOSAMENTE TODOS LOS ARTÍCULOS VERIFICANDO QUE NO EXISTAN DAÑOS ANTES DE ACEPTAR LA ENTREGA. ANOTE CUALQUIER DAÑO EN LA FACTURA DE TRANSPORTE O EN EL RECIBO. PIDA EL NOMBRE Y FIRMA DEL AGENTE DE TRANSPORTE Y CONSERVE UNA COPIA PARA RESPALDAR SU RECLAMO.** Al momento de aceptar los artículos, el propietario asume la responsabilidad de que lleguen de manera segura. Reporte los daños al transportista y presente un reclamo inmediatamente. El no hacerlo podría resultar en un rechazo de su reclamo. El transportista le entregará los formularios necesarios para presentar un reclamo.  
**LOS DAÑOS CAUSADOS DURANTE EL TRANSPORTE NO SE ENCUENTRAN CUBIERTOS BAJO NUESTRA GARANTÍA.**
  
2. **POR FAVOR, ¡INSPECCIONE LOS CONTENIDOS DEL PAQUETE(S) CUIDADOSAMENTE AL RECIBIRLOS!**  
Se nos deberá notificar por escrito sobre cualquier daño y/o piezas faltantes dentro del período de días establecidos luego de haber recibido su paquete(s). Contacte a su distribuidor o concesionario KOBE o llame a KOBE para obtener información sobre el límite de tiempo.  
**LOS RECLAMOS NO SERÁN ACEPTADOS DESPUÉS DEL PERIODO DE DÍAS ESTABLECIDOS.**  
NOTA: LOS ARTÍCULOS FUERON SOMETIDOS A PRUEBAS Y EMPACADOS CUIDADOSAMENTE EN NUESTRA FÁBRICA ANTES DE SU ENVÍO.
  
3. Los productos deberán ser devueltos en buen funcionamiento con TODAS las piezas y documentación originales empacados en TODAS los cartones, rellenos y cajas de envío originales. Se cobrará una tarifa por reposición de existencias del 25% para todas las devoluciones aprobadas. **LOS CAMBIOS O DEVOLUCIONES PODRÍAN NO ACEPTARSE SI FALTARA ALGÚN MATERIAL DE EMPAQUE.**
4. **ASEGÚRESE DE INSPECCIONAR LA CAMPANA VERIFICANDO QUE NO EXISTAN DAÑOS O DEFECTOS ANTES DE INSTALARLA.** Las imperfecciones en la apariencia de la campana que se encuentren después de que ésta haya sido instalada y que no afecten el rendimiento de la misma, no se encuentran cubiertas bajo nuestra garantía sobre devoluciones o cambios. Las visitas de servicio que no se encuentran cubiertas bajo la garantía incurrirán un cargo por servicio.
  - A) Antes de la Instalación: Envíe de vuelta para cambio o reembolso (por favor consultar lo anterior para averiguar sobre las devoluciones aceptadas).
  
  - B) Después de la Instalación: **NO** habrá ningún cambio ni reembolso.

# GARANTÍA

## CERTIFICADO DE GARANTÍA

KOBE Range Hoods, garantiza que todos los productos fabricados o proporcionados por la compañía se encontrarán libres de defectos en cuanto a mano de obra y materiales. Sus obligaciones según esta garantía se encuentran limitadas a un periodo de dos años a partir de la fecha de compra y a reparar o reemplazar a su elección y sujeto a los términos y condiciones establecidas a continuación, cualquier pieza, que luego de ser examinada demuestre que estaba defectuosa.

### PERIODO DE SERVICIO DE LA GARANTÍA DE DOS AÑOS

Cualquier avería cubierta que ocurra dentro de un periodo de dos años a partir de la fecha de compra original que surja a causa de mano de obra o material defectuoso de fábrica será reparada (o reemplazada a nuestra discreción) sin costo alguno por parte de un Agente autorizado de KOBE Range Hoods o KOBE Range Hoods según corresponda. Tenga a la mano un comprobante de compra (o la factura original) para su verificación.

Si la campana de extracción ha sido vendida por el comprador original durante el periodo de garantía, el nuevo propietario estará protegido hasta que la garantía del comprador original se venza.

### CONDICIONES

Las siguientes condiciones aplican solamente en relación a la garantía otorgada explícitamente por este certificado.

- 1) Esta garantía aplica solamente:
  - a) dentro de EE.UU. y Canadá.
  - b) a las campanas de extracción de USO UNIFAMILIAR PRIVADO (si han sido utilizadas COMERCIALMENTE o USO MULTIFAMILIAR u otros propósitos, la garantía se anulará).
- 2) La reparación de cualquier avería a proporcionarse bajo esta garantía no se proporcionará:
  - a) si el número de identificación colocado en la campana de extracción ha sido alterado, se considera ilegible o ha sido removido;
  - b) si no se ha presentado una notificación del defecto dentro del periodo de tiempo correspondiente;
  - c) fallo de los focos de la luz o lámparas de calor;
  - d) por daños físicos;
  - e) por superficies dañadas por la utilización de agentes de limpieza químicos no adecuados;
  - f) si el aparato ha:
    - i) estado sujeto a uso inadecuado, abuso, negligencia, accidentes, instalación incorrecta o el no seguir las instrucciones de operación;
    - ii) sido conectado a fuentes eléctricas, conductos de extracción, tubos o cubierta de conductos inadecuados, incorrectos o defectuosos, u operado utilizando lubricantes contaminados o incorrectos;
    - iii) sido instalado, mantenido u operado de manera distinta a lo que se ha estipulado en las instrucciones proporcionadas por KOBE Range Hoods incluyendo el uso inadecuado de detergentes, blanqueadores o limpiadores.

- g) por daños causados a la campana de extracción durante su transporte, entrega, instalación o al quitarla;
  - h) por daños causados por o que resulten de reparaciones conducidas por cualquier otra persona que no sea nuestro Agente de Servicio Autorizado.
  - i) ruido o vibración causada por una instalación incorrecta de la campana de extracción y/o el regulador.
- 3) El comprador será el responsable de cualquier gasto relacionado por hacer que la campana de extracción se encuentre disponible para que se le dé servicio y en caso de que la campana de extracción se encuentre instalada fuera del territorio de venta principal del minorista o el territorio de servicio del Agente autorizado de KOBE Range Hoods más cercano según corresponda, así como de cualquier gasto de viaje y cualquier costo de transporte de la campana de extracción y piezas desde y hacia el concesionario y Agente de Servicio.
- 4) El comprador deberá proporcionar un comprobante de compra junto con este certificado de garantía al presentar un reclamo.
- 5) Los daños causados durante el envío no se encuentran cubiertos bajo nuestra garantía.

### **DAÑOS EMERGENTES**

El garante no se hace responsable por ningún daño emergente. ALGUNOS ESTADOS NO PERMITEN LA EXCLUSIÓN DE DAÑOS EMERGENTES ASÍ QUE LA EXCLUSIÓN ANTERIOR PODRÍA NO CORRESPONDERLE.

### **GARANTÍAS IMPLÍCITAS/LEY ESTATAL**

Cualquier garantía implícita, incluyendo la garantía implícita de comerciabilidad y adecuación al objetivo, impuestas al momento de la venta por las leyes del estado de venta se encuentran limitadas a dos años a partir de la fecha original de compra. Algunos estados no permiten límites en cuanto a la duración de las garantías implícitas. Esta garantía le otorga derechos legales específicos y podría también incluir derechos, que varían de estado en estado.

### **SERVICIO**

Para servicio contacte a:

KOBE Range Hoods  
11775 Clark Street  
Arcadia, CA 91006  
U.S.A  
Tel: (626) 775-8880  
Correo electrónico: [customer.service@KOBERangeHoods.com](mailto:customer.service@KOBERangeHoods.com)  
Sitio de Internet: [www.KOBERangeHoods.com](http://www.KOBERangeHoods.com)

## REGISTRO DEL PRODUCTO

### ¡Registre su Producto!

Cualquier avería cubierta que ocurra dentro de un periodo de dos años a partir de la fecha de compra original, que surja a causa de mano de obra o material defectuoso de fábrica, será reparada, o a nuestra discreción, la unidad será reemplazada sin costo alguno por parte de un Agente autorizado de KOBE Range Hoods o KOBE Range Hoods según corresponda. Tenga a la mano un comprobante de compra (factura original) para su verificación.

Si la campana de extracción ha sido vendida por el comprador original durante el periodo de garantía, el nuevo propietario estará protegido hasta que la garantía del comprador original se venza. Consulte la sección de la garantía para obtener la información completa sobre la cobertura de la garantía.

Este aparato ha sido fabricado, sometido a pruebas e inspección según los estándares requeridos por KOBE Range Hoods.

### **POR FAVOR, ENVÍE POR CORREO SU TARJETA DE REGISTRO DE GARANTÍA Y EL COMPROBANTE DE COMPRA A:**

KOBE Range Hoods  
Warranty Registration  
11775 Clark Street  
Arcadia, CA 91006 U.S.A

### **ESCRIBA LA SIGUIENTE INFORMACIÓN PARA SUS ARCHIVOS:**

Modelo No. \_\_\_\_\_

No. de Serie \_\_\_\_\_

Fecha de Compra                    \_\_\_\_ / \_\_\_\_ / \_\_\_\_

Comprado En:

\_\_\_\_\_  
\_\_\_\_\_  
\_\_\_\_\_

**IMPORTANTE: POR FAVOR, TENGA A LA MANO UNA COPIA DE SU RECIBO DE VENTA O FACTURA AL SOLICITAR SERVICIO.**

**KOBE**<sup>®</sup>

KOBE Range Hoods  
11775 Clark Street  
Arcadia, CA 91006

<http://www.KOBERangeHoods.com>

Esta campana de extracción KOBE ha sido fabricada para ser utilizada únicamente en EE.UU. y CANADÁ. No recomendamos la utilización de esta campana en el extranjero debido a que la fuente de energía podría no ser compatible y podría violar el código eléctrico de dicho país. **Utilizar una campana KOBE en el extranjero será a su propio riesgo y anulará la garantía.**

Information subject to change without notice.

VER.090327

## Free Manuals Download Website

<http://myh66.com>

<http://usermanuals.us>

<http://www.somanuals.com>

<http://www.4manuals.cc>

<http://www.manual-lib.com>

<http://www.404manual.com>

<http://www.luxmanual.com>

<http://aubethermostatmanual.com>

Golf course search by state

<http://golfingnear.com>

Email search by domain

<http://emailbydomain.com>

Auto manuals search

<http://auto.somanuals.com>

TV manuals search

<http://tv.somanuals.com>