

# KORG C-320

*Digital Piano / Piano Numérique / Digital-Piano / Pianoforte Digitale  
User's Manual / Mode d'emploi / Bedienungsanleitung / Manuale d'istruzioni*

ENGLISH  
FRANÇAIS  
DEUTSCH  
ITALIANO




**English**

*User's Manual*



**Français**

*Mode d'emploi*



**Deutsch**

*Bedienungseinleitung*



**Italiano**

*Manuale di istruzioni*





# KORG

## *CONCERT*

## *C-320*

# *User's Manual*

## PRECAUTIONS

### Location

Using the unit in the following locations can result in a malfunction.

- In direct sunlight
- Locations of extreme temperature or humidity
- Excessively dusty or dirty locations
- Locations of excessive vibration

### Power supply

Please connect the designated AC adapter to an AC outlet of the correct voltage. Do not connect it to an AC outlet of voltage other than that for which your unit is intended.

### Interference with other electrical devices

This product contains a microcomputer. Radios and televisions placed nearby may experience reception interference. Operate this unit at a suitable distance from radios and televisions.

### Handling

To avoid breakage, do not apply excessive force to the switches or controls.

### Care

If the exterior becomes dirty, wipe it with a clean, dry cloth. Do not use liquid cleaners such as benzene or thinner, or cleaning compounds or flammable polishes.

### Keep this manual

After reading this manual, please keep it for later reference.

### Keeping foreign matter out of your equipment

- Never set any container with liquid in it near this equipment. If liquid gets into the equipment, it could cause a breakdown, fire, or electrical shock.
- Be careful not to let metal objects get into the equipment. If something does slip into the equipment, unplug the AC adapter from the wall outlet. Then contact your nearest Korg dealer or the store where the equipment was purchased.

## CE MARK FOR EUROPEAN HARMONIZED STANDARDS

The CE mark that is attached to our company's products of AC mains operated apparatus until December 31, 1996 means it conforms to the EMC Directive (89/336/EEC) and to the CE mark Directive (93/68/EEC).

The CE mark that is attached after January 1, 1997 means it conforms to the EMC Directive (89/336/EEC), to the CE mark Directive (93/68/EEC) and to the Low Voltage Directive (73/23/EEC).

In addition, the CE mark that is attached to our company's products of Battery operated apparatus means it conforms to the EMC Directive (89/336/EEC) and to the CE mark Directive (93/68/EEC).

## THE FCC REGULATION WARNING (FOR THE U.S.A. ONLY)

This equipment has been tested and found to comply with the limits for a Class B digital device, pursuant to Part 15 of the FCC Rules. These limits are designed to provide reasonable protection against harmful interference in a residential installation. This equipment generates, uses, and can radiate radio frequency energy and, if not installed and used in accordance with the instructions, may cause harmful interference to radio communications. However, there is no guarantee that interference will not occur in a particular installation. If this equipment does cause harmful interference to radio or television reception, which can be determined by turning the equipment off and on, the user is encouraged to try to correct the interference by one or more of the following measures:

- Reorient or relocate the receiving antenna.
- Increase the separation between the equipment and receiver.
- Connect the equipment into an outlet on a circuit different from that to which the receiver is connected.
- Consult the dealer or an experienced radio/TV technician for help.

Unauthorized changes or modification to this system can void the user's authority to operate this equipment.

## **DISCLAIMER**

The information contained in this manual has been carefully revised and checked through. Due to our constant efforts to improve our products, the specifications might differ to those in the manual. Korg is not responsible for any eventual differences found between the specifications and the contents of the instruction manual - the specifications being subject to change without prior notice

## **WARRANTY**

KORG products are manufactured according to the strictest electrical and mechanical regulations that exist in various countries of the world. These products are warranted by the KORG distributor only in each country. Any KORG product that is not sold with the manufacturer's or distributor's warranty, or without a serial number, cannot benefit from servicing under the warranty. This regulation is for the consumer's own protection.

## **ASSISTANCE AND SERVICE FOR MUSICIANS**

For repairs, contact your nearest Authorized KORG Service Center. For more information on KORG products, and to find software and accessories for your piano, please contact your local Authorized KORG distributor.

## **KORG ON THE INTERNET**

Home page Korg Inc.: "<http://www.korg.co.jp>"

Home page Korg USA: "<http://www.korg.com>"

Home page Korg UK: "<http://www.korg.co.uk>"

Home page Korg Canada:  
"<http://www.korgcanada.com>"

## **DATA RESET**

When the instrument is turned off, all parameters are reset.

© 2005 Korg Inc. Printed in Japan.

# CONTENTS

-----

	Introduction .....	7
	Main features .....	7
1	Panels .....	9
	Front panel .....	9
	Bottom panel .....	11
2	Before you begin .....	12
	Connecting to an external amplification system .....	12
	Using the headphones .....	12
	Open the key cover .....	13
	Turning the instrument on .....	13
	Using the music stand .....	13
	Adjusting the volume .....	14
	Listening to the Demo .....	14
3	Basic functions .....	16
	Playing a single sound (Single mode) .....	16
	Playing two sounds at the same time (Layer mode) .....	16
	Choosing the reverb and the chorus .....	17
	Using the pedals .....	18
	Pedal settings for the Layer mode .....	19
	The metronome .....	19
4	Other functions .....	22
	Touch settings .....	22
	Transpose .....	23
	Fine tuning .....	23
	Selecting a temperament .....	24
5	MIDI .....	26
	What is MIDI? .....	26
	What can you do with MIDI? .....	26
	Connections .....	26
	Standard MIDI settings .....	27
	Selecting the transmission channel .....	27
	Using the C-320 as a multitimbral tone generator .....	28
	Local On/Off .....	29
	Program Change .....	29
	Control Change .....	31
	MIDI Data Dump .....	32
6	Assembling the stand .....	34
	Cautions for assembly .....	34
	Assembling procedure .....	34
	Check after assembly .....	40
	Caution .....	40
7	Appendix .....	41
	Troubleshooting .....	41
	Polyphony .....	41
	Technical specifications .....	42
	Control panel shortcuts .....	43
	Control panel and keyboard .....	43
	MIDI Implementation Chart .....	178



# Introduction

## Main features

**Wide range of sounds.** Thirty different and expressive high-quality sounds, including a Stereo Concert Grand Piano. You can use the Layer function to simultaneously play two sounds.

**Effects.** The C-320 provides built-in digital effects that can simulate the natural ambience of a concert hall (Reverb) and add richness to the sound (Chorus).

**Pedal effects.** The C-320 provides the same three pedals as a grand piano, controlling the soft, sostenuto, and damper functions respectively. The damper pedal simulates the natural string resonances of an acoustic piano. Both the damper pedal and the soft pedal let you vary the amount of the effect by how far you press down on the pedal (“half-pedal” function).

**Metronome.** The built-in metronome allows you to select the time signature, tempo, and volume, and even use a bell sound as the accent.

**Touch control.** You can choose from three different settings to adjust how the sound will respond to your keyboard playing dynamics.

**Temperaments.** In addition to the Equal temperament, the C-320 allows you to select two alternative classical temperaments (Kirnberger and Werckmeister) for historically accurate performance of classical music. When selecting an acoustic piano sound, the typical Stretched Tuning is automatically selected.

**Adjustable pitch.** The Transpose function lets you change the pitch of the piano, and the Pitch Control function allows you to make fine tune adjustments.

**MIDI capabilities.** The C-320 supports the MIDI protocol, the standard that allows music data to be transferred between musical instruments and computers. MIDI

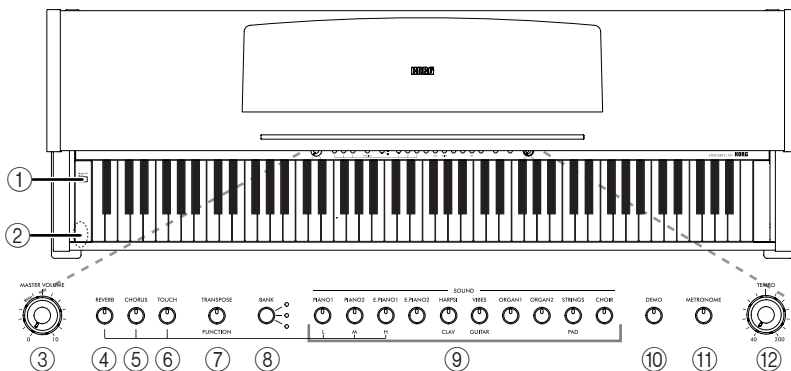
allows two or more devices to control or be controlled by each other, and also allows you to use the C-320 as a 16-part multitimbral tone generator.

**Powerful integrated amplification.** C-320 includes a powerful, 25 Watt amplifier, with two 13cm speakers.

**Two sets of headphones.** You can connect two stereo headphones, to play with your teacher or another musician.

## Panels

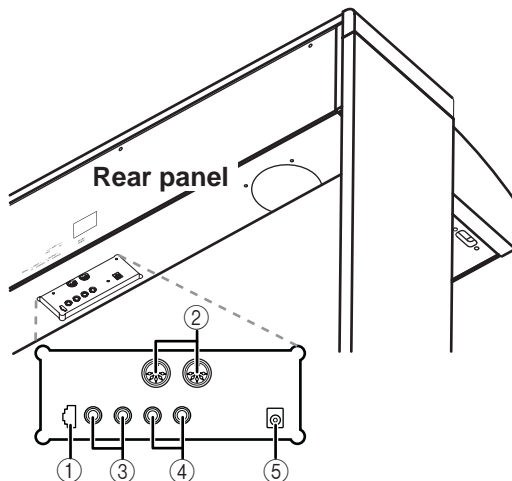
### Front panel



- 1 POWER switch:** On/off switch.
- 2 PHONES connector:** Connect one or two pairs of headphones to these jacks. The integrated speakers will turn off.
- 3 MASTER VOLUME knob:** Adjusts the volume for the speakers, the Output and the Phones connectors.
- 4 REVERB button:** Turns the reverb on/off. This adds ambience to the sound.
- 5 CHORUS button:** Turns the chorus on/off. This makes the sound richer.
- 6 TOUCH button:** Lets you select the keyboard sensitivity.
- 7 TRANSPOSE/FUNCTION button:** Multifunction button to be used in order to modify the transpose and fine tuning functions, to program the MIDI parameters and to carry on other adjustments.  
**Note:** When the instrument is turned off, all parameters are reset.
- 8 BANK button:** Selects one of the 3 available banks of sounds.

- 9 SOUND SELECTION buttons:** Press a button to select a sound (Single mode). You can press two buttons at the same time, to play two sounds at the same time on the keyboard (Layer mode).
- 0 DEMO button:** Turns the demo mode on/off, to listen to the demo songs. Select the songs with the sound selection buttons (see above).
- A METRONOME button:** Turns the metronome click on/off.
- B TEMPO knob:** Adjusts the metronome tempo.

## Bottom panel



- 1 Pedal connector:** Connect the supplied pedal to this connector.
- 2 MIDI (IN, OUT) connectors:** Connectors that are used to connect other MIDI devices (sequencer, keyboards, etc.). OUT: Data output (to be connected to the MIDI IN connector of another MIDI device). IN: Data input (to be connected to the MIDI OUT connector of another MIDI device).
- 3 INPUT (L/MONO, R) connectors:** Audio inputs. Connect to these connectors an external audio source, such as a CD/MP3/tape player, a mixer, or another keyboard.

---

**Warning:** Avoid connecting the output of a power amplifier to these inputs!

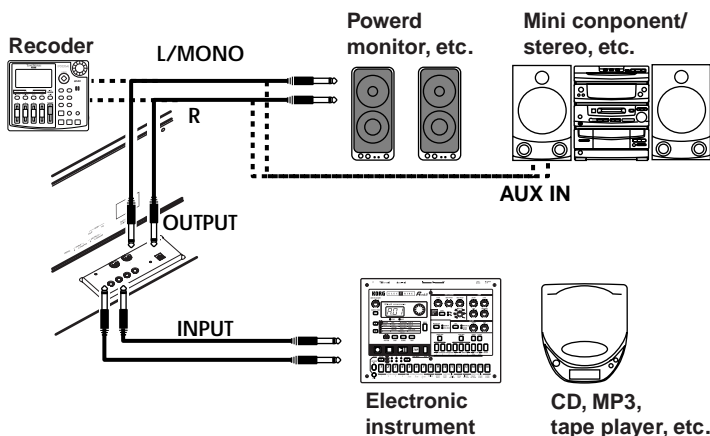
---

- 4 OUTPUT (L/MONO, R) connectors:** Audio outputs. Connect these connectors to an external amplifying system. (With a hi-fi system use the AUX or TAPE connectors, not the PHONO connector). To amplify the C-320 in mono, connect the single L/MONO connector. Use the MASTER VOLUME knob to set the output volume.
- 5 AC ADAPTER connector:** Connect the supplied AC/DC adapter to this connector.

## Before you begin

### Connecting to an external amplification system

Use the OUTPUT connectors, if you like to connect your C-320 to a high-quality mixer, stereo hi-fi, or a couple of active monitors. When using a stereo hi-fi, connect the OUTPUTs to the AUX or TAPE inputs (never use the PHONO inputs). For mono amplification, connect only the L/MONO output.



### Using the headphones

For playing or practicing during night hours, or when you don't want to be heard by others in the same room, connect one or two pairs of high-quality headphones (32Ω impedance suggested) to the appropriate PHONES connectors. These connectors are standard 1/4" phone jacks. If your headphones have a mini-jack adapter, grasp the adapter when plugging in or out the headphones.

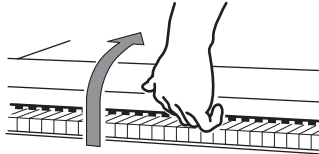
---

**Warning:** When using headphones, protect your hearing by avoiding extended listening at high volumes.

---

## Open the key cover

Gently lift the center of the sliding key cover by the indented portion, and support it while you slide it carefully and fully into the C-320.



To close the key cover, gently lift the center by the indented portion, and slide it forward.

---

**Note:** Be careful not to pinch your fingers or hand while opening or closing the key cover.

---

---

**Note:** The key cover may be damaged if you use excessive force when opening or closing it.

---

---

**Note:** Before you open the key cover, make sure that no foreign objects such as papers or coins are on the top of the key cover itself. Otherwise, these objects may fall into the instrument.

---

## Turning the instrument on

Insert the DC plug of the supplied AC adapter into the DC inlet of the C-320, then connect the AC plug to a wall socket.

After having connected the power cable, press the POWER switch. When the instrument is turned on, the buttons on the control panel will light up. To turn the instrument off, press the POWER switch again.

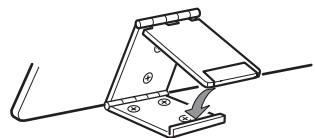
---

**Note:** When the instrument is turned off, all parameters are reset.

---

## Using the music stand

Tilt the music stand upright, and use the two stoppers located on the rear to hold the music stand in place.



## Adjusting the volume

Move the MASTER VOLUME knob towards the right to increase the volume; towards the left to decrease the volume. The maximum is “10”; the minimum (silence) is “0”. This control adjusts the output level of the headphones, the internal speakers and of the OUTPUTs.

---

**Note:** It is always better to start with a low volume and then increase gradually.

---

## Listening to the Demo

The C-320 contains 30 pre-recorded demo songs. Listen to them to experience the rich sound and expressive potential of this instrument.

**Listen to all songs at once.** You can listen to all demo songs with a single command.

- 1 Press the DEMO button. The sound selection buttons will blink sequentially from left to right. After a few seconds, playback will begin. All demo songs will be played back. After the last song, the playback will begin again from the first song.

---

**Note:** Keep the TRANSPOSE/FUNCTION button pressed, and press E1 on the keyboard. All demo songs will be played back immediately.

---

- 2 During playback, you can press a sound selection button to repeat just the current bank of ten demo songs. (There are three banks of ten demo songs each: 1-10, 11-20, 21-30).  
For example, if you press the CHOIR button while song number 1 is playing, song number 10 will immediately start playing, and the playback will cycle from song 1 through song 10.
- 3 Press the DEMO button to stop the playback and exit the demo mode.

**Listen to a specified song.** You can select just one demo song to be played back.

- 1 First of all, you must select one of the three demo song banks.
  - To select the first bank (1-10), press the DEMO button once. The indicators will blink sequentially, from left to right.
  - To select the second bank (11-20), press the DEMO button a second time. All indicators will blink at the same time.
  - To select the third bank (21-30), press the DEMO button a third time. Adjacent indicators will blink alternatively



- 2 Press one of the sound selection buttons to select the corresponding song in the selected bank. The indicator on the selected demo button will stay on, while the other indicators will turn off.

After the end of the selected song, all the songs of the selected bank will be played back in cycle.

Button	Bank 1 (1-10)	Bank 2 (11-20)	Bank 3 (21-30)
PIANO 1	F. Mendelssohn-Bartholdy: Prelude Op.104a, no.2	Korg Original (M. Tem-pia): Reflection	C.A. Debussy: Arabesque no.1
PIANO 2	F. Chopin: Nocturne Op.9, no.2	S. Joplin: The Enter-tainer	J.S. Bach: Two-voice invention no.13
E.PIANO 1	C.A. Debussy: Clair de lune	Korg Original (M. Tem-pia): Jumper	F. Chopin: Fantasie-Impromptu Op.66
E.PIANO 2	Korg Original (M. Tem-pia): Lullaby for a Little Star	Korg Original (M. Tem-pia): All the Ones You Don't Know	J.S. Bach: Prelude in C major (from Das Wohltemperierte Klavier)
HARPSI /CLAV	L. van Beethoven: Für Elise	J.S. Bach: Italian Concert	Korg Original (M. Tem-pia): Rubber Bob
VIBES /GUITAR	F. Chopin: Etude Op.10, no.3	Korg Original (M. Tem-pia): Jazz in Spain	R. Schumann: Trau-meri, Op.15, no.7
ORGAN 1	W.A. Mozart: A la turque (from the Sonata in A-major K.331)	Korg Original (M. Tem-pia): Cool "B"	F. Mendelssohn-Bartholdy: Spring Song, Op.62, no.6
ORGAN 2	F. Chopin: Valse no.6 in D <sub>5</sub> -major Op.64, no.1	F. Mendelssohn-Bartholdy: Wedding March	Korg Original (M. Tem-pia): Sunflowers
STRINGS /PAD	Korg Original (M. Tem-pia): Old Feather Blues	J.S. Bach: Air on the G string	P.D. Paradisi: Toccata in A major
CHOIR	Korg Original (M. Tem-pia): Noise of time	Korg Original (M. Tem-pia): Voice Texture	Korg Original (M. Tem-pia): Wet Raccoon Rag

- 3 Press the DEMO button to stop the playback and exit the demo mode.

**Note:** During the demo playback you can't use the sound selection buttons to select sounds, or the REVERB and CHORUS buttons.

**Adjusting the tempo of the demo songs.** Use the TEMPO knob to change the tempo of the selected demo song. Normally, the playback tempo of the demo song will not match the markings of the TEMPO knob.

**Note:** You can't use the metronome during the demo playback.

**Note:** When a demo is selected, its original tempo is recalled.

## Basic functions

### Playing a single sound (Single mode)

You can select a sound from the thirty sounds supplied with the instrument.

- 1 Press one of the sound selection buttons in order to select a sound. The indicator on the button you pressed will light.
- 2 Use the BANK button to select one of the three available banks (1-10, 11-20, 21-30). Pressed a first time it selects Bank 2; pressed a second time it selects Bank 3; pressed a third time it selects Bank 1 again.

Button	Bank 1	#	Bank 2	#	Bank 3	#
PIANO 1	Grand Piano	2	Bright Piano	2	Mellow Piano	2
PIANO 2	Honky-Tonk	2	Detune Piano	2	E.Grand Piano	1
E.PIANO 1	Club E.Piano	2	Stage E.Piano	1	Thin E.Piano	2
E.PIANO 2	80's E. Piano	2	Digital E.Piano	1	Vintage E. Piano	1
HARPSI/CLAV	Harpichord	1	Clav.	1	Wah Clav.	1
VIBES/GUITAR	Vibraphone	1	Marimba	1	Acoustic Guitar	1
ORGAN 1	Jazz Organ 1	2	Jazz Organ 2	2	Jazz Organ 3	2
ORGAN 2	Church Organ 1	3	Church Organ 2	1	Church Organ 3	1
STRINGS/PAD	Slow Strings	2	Warm Pad	2	Strings	1
CHOIR	Choir Hoo	1	Choir Doo	2	Choir Pad	2

(#) These columns show the number of oscillators per voice used by each sound

### Playing two sounds at the same time (Layer mode)

You can play two sounds at the same time on the keyboard. This is called the Layer mode.

---

**Note:** When selecting the Layer mode, the total number of voices that can play at the same time is reduced, depending on the total number of oscillators used by the selected sounds.

---

---

**Note:** You can't select two sounds included under the same button.

---

- 1 Press one of the sound selection buttons in order to select the first sound. The indicator on the button you pressed will light. Use the BANK button to select a sound in one of the other banks.
- 2 Press another sound selection button to select the second sound. The indicator on the button you pressed will light. Use the BANK button to select a sound in one of the other banks.
- 3 Press both buttons at the same time to select the sounds. Both indicators will light.

---

**Note:** Steps 1 and 2 are not required, if the right banks are already selected.

---

**Returning to the Single mode.** To return to the Single mode, just press a single sound selection button.

**Adjusting the volume of sounds in Layer mode.** To adjust the balance between the sounds in Layer mode, hold down the button of the sound whose level you wish to decrease, and repeatedly press the button of the sound whose level you wish to raise.

---

**Note:** This setting will be memorized even after turning the Layer mode off, but will be lost when turning the instrument off. To save these settings, save them using the Data Dump function (see "MIDI Data Dump" on page 32).

---

## Choosing the reverb and the chorus

The C-320 has two effects: reverb and chorus. The reverb simulates the sound reverberation in a room, while the chorus simulates a modulating effect that makes the sounds richer. The effect settings will be remembered even when selecting a different sound.

---

**Note:** Effect settings made in Single mode are memorized even when selecting the Layer mode, but no change made in Layer mode will be preserved.

When the instrument is turned on, the effect settings are reset to the factory settings. To save the Single mode settings, save them using the Data Dump function (see "MIDI Data Dump" on page 32).

---

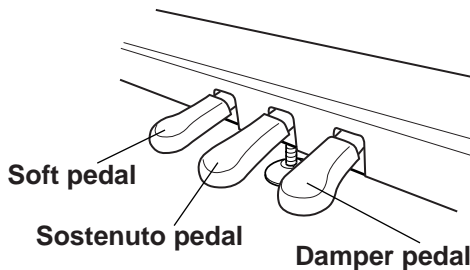
- 1 Hold down the REVERB or CHORUS button, and press either the PIANO 1/L, PIANO 2/M, or E.PIANO1/H sound selection button to select the reverb or chorus depth.

Button	Reverb depth	Chorus depth
PIANO 1/L	Light reverb	Light chorus
PIANO 2/M	Normal reverb	Normal chorus
E.PIANO 1/H	Deep reverb	Deep chorus

- 2 To check the currently selected reverb or chorus depth, hold down the REVERB or CHORUS button, and look at which of the indicators is turned on.
- 3 To turn the reverb or chorus off, press the REVERB or CHORUS button. The indicator on the button will turn off.

## Using the pedals

The C-320 has three pedals: soft, sostenuto, and damper. You can use these pedals to add expression to your playing, as on a traditional piano.



**Soft pedal.** Pressing this pedal will make the tone softer. You can control the softness of the tone by how far down you press the on pedal (“half-pedaling”).

**Sostenuto pedal.** Pressing this pedal will apply the damper effect only to the notes that are already being held down on the keyboard, and will sustain only those notes. The damper effect will not be applied to any additional notes that you play while holding down the Sostenuto pedal.

**Damper pedal.** Pressing this pedal will sustain the sound, producing a richly resonant decay. You can control the damper depth by how far down you press the on pedal (“half-pedaling”).

## Pedal settings for the Layer mode

You can select which sound(s) will be affected by the damper pedal when using the Layer mode.

---

**Note:** When the instrument is turned on, the pedal settings are reset. To save these settings, save them using the Data Dump function (see “MIDI Data Dump” on page 32).

---

- 1 Hold the TRANSPOSE/FUNCTION button, and press the damper pedal. Each time you press the pedal, the indicator on the sound selection button(s) where the damper pedal is active will light.
- 2 When the pedal is assigned to the desired sound(s), release the TRANSPOSE/FUNCTION button.

## The metronome

The C-320 incorporates a metronome, with which you can set the tempo during practice.

**Starting and stopping the metronome.** Press the METRONOME button to make the metronome start or stop. When turning on, the metronome is set according to the knob position, but you can adjust it with the procedure described below. After having listened to the demo, the tempo will be that of the last demo that had been listened to.

**Adjusting the metronome volume.** While the metronome is playing, keep the METRONOME button pressed and repeatedly press the STRINGS/PAD button (or the B5 key) to lower the volume, or the CHOIR button (or the C6 key) to raise it. To reset the volume, simultaneously press the STRINGS/PAD and CHOIR buttons (or the B5 and C6 keys on the keyboard) while holding the METRONOME button.



Key	Effect	Key	Effect
B5	Lower volume	C6	Higher volume

**Adjusting the tempo using the TEMPO knob.** Use the TEMPO knob to adjust the tempo. The range is ♩ = 40 ~ 200.

**Numeric tempo input.** In some cases, you may require an exact tempo (like 127 BPM). It is possible to enter a precise tempo, using the numeric input.

- 1 Hold down the METRONOME button.
- 2 Use the keyboard to input the three-digit tempo value (insert a “0” before a two-number value).



Key	Number	Key	Number
C5	0	C#5	1
D5	2	D#5	3
E5	4	F5	5
F#5	6	G5	7
G#5	8	A5	9

For example, to select a tempo value of 168, keep the METRONOME button pressed, then press C#5 (1), F#5 (6), G#5 (8). To select a tempo value of 85, keep the METRONOME button pressed, then press C5 (0), G#5 (8), F5 (5).

**Selecting the time signature.** You can add an accent to the first beat of a measure.

Button	Time signature
PIANO 1	2 movements (2/4, 2/8...)
PIANO 2	3 movements (3/4, 3/8...)
E.PIANO 1	4 movements (4/4, 4/8...)
E.PIANO 2	6 movements (6/4, 6/8...)

- 1 While the metronome is working, keep the METRONOME button pressed and press the button that corresponds to the time signature you wish to use (see table above). The first movement of the measure will be accented.
- 2 To deactivate the accent, keep the METRONOME button pressed and press the sound selection button whose indicator is lit.

**Note:** When the instrument is turned on, the accent is automatically disabled.

**Selecting a bell for the accent.** The accented beat can be changed to a bell sound.

- 1 While the metronome is playing, hold down the METRONOME button, then press the VIBES/GUITAR sound selection button. The indicator on the button will light, and a bell sound will be heard on the first beat of the bar.
- 2 To return to the normal accent, hold down the METRONOME button and press the HARPSI/CLAV sound selection button to switch on the indicator on the HARPSI/CLAV button.

---

**Note:** When the instrument is turned on, the bell is automatically disabled.

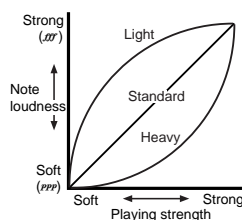
---

## Other functions

### Touch settings

The keyboard sensitivity, or touch, can be programmed. Keep the TOUCH button pressed, and press the appropriate button to select one of the available touch settings.

Button	Touch sensitivity
PIANO 1/L	Light. Loud notes can be produced even by playing lightly.
PIANO 2/M	Normal. Normal piano touch.
E.PIANO 1/H	Heavy. Loud notes can be produced only by playing very hard.



To check the currently selected setting, hold down the TOUCH button, and look at which of the indicators is turned on.

**Note:** When the instrument is turned on, the touch setting is reset to Normal.

Alternatively, you can use the TRANSPOSE/FUNCTION button and the keyboard. Hold the TRANSPOSE/FUNCTION button, and press the key on keyboard that corresponds to the touch setting you wish to carry out (see table).



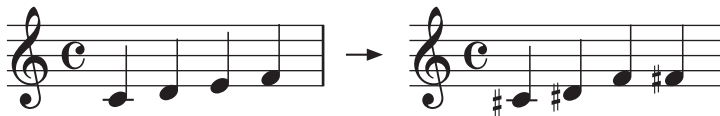
Key	Touch sensitivity
B3	Light. Loud notes can be produced even by playing lightly.
C4	Normal. Normal piano touch.
D4	Heavy. Loud notes can be produced only by playing very hard.



## Transpose

In some cases, a song may be written in a difficult key (e.g., many black keys), or you may wish to shift the pitch to match another instrument or vocalist. In such cases, you can transpose (shift the pitch) so that you can use an easier fingering, or use the same familiar fingering to play at a different pitch. This is called the Transpose function.

For example if you transpose upward by one semitone, playing the notes shown at the lower left will produce the pitches shown at the right.



---

**Note:** When the instrument is turned on, the transposing is reset.

---

- 1 Hold the TRANSPOSE/FUNCTION button, and press the key on keyboard that corresponds to the transpose you wish to carry out (see table). The TRANSPOSE/FUNCTION indicator will remain lit up, to indicate that the transpose function is active.



Key	Effect
F#6 — B6	6 — 1 semitones below
C7	Standard pitch
C#7 — F7	1 — 5 semitones higher

- 2 To get back to standard pitch, hold the TRANSPOSE/FUNCTION button and press the C7 key. The TRANSPOSE/FUNCTION indicator will turn off.

## Fine tuning

In order to adapt the C-320 pitch to that of another instrument, you can adjust the pitch in steps of 0.5 Hz over a range of A4 = 427.5 ~ 452.5 Hz. The standard tuning is A4 = 440 Hz.

---

**Note:** The pitch will go back to standard level (A4 = 440 Hz) when the instrument is turned off, then on again.

---

- 1 Hold the TRANSPOSE/FUNCTION button, and press the corresponding key to change the pitch. Each time the B5 or C6 key is pressed, the pitch will be raised or lowered by 0.5 Hz.
- 2 To get back to standard pitch, hold the TRANSPOSE/FUNCTION button and press the B5 and C6 buttons at the same time.



Key	Fine tuning
B5	Lowers the pitch by 0.5 Hz
B5+C6	Standard pitch (A4 = 440 Hz)
C6	Raises the pitch by 0.5 Hz

## Selecting a temperament

There are numerous classical compositions that were composed using temperaments that differ from the “equal temperament” commonly used today. In order to reproduce the original sound of such compositions, the C-320 provides Kirnberger and Werckmeister classical temperaments, in addition to the equal temperament, allowing you to select from a total of three temperaments.

To select one of the available temperaments, hold down the TOUCH button, then press the button corresponding to the desired temperament. To return to the equal tuning hold down the TOUCH button, then press the sound selection button whose indicator is lit.

Button	Temperament
Both indicators turned off	Equal temperament. Nearly all keyboard instruments today use equal temperament. This temperament spaces all semitones at equal distances, and allows identical scales to be played in any key.
HARPSI/CLAV	Werckmeister. This is the Werckmeister III scale invented by Andreas Werckmeister, the German organist and music theoretician. This scale was created in the later Baroque period to allow relatively free transposition.
VIBES/GUITAR	Kirnberger. This is the Kirnberger III scale invented by Johann Phillip Kirnberger in the early 18th century, and is used mainly for tuning harpsi-chords.

To check the currently selected temperament, hold down the TOUCH button, and look at which of the indicators is turned on.

---

**Note:** When the power is turned on, the equal temperament will be automatically selected.

---

**About stretched tuning.** In order to produce the most natural resonance, PIANO 1 and PIANO 2 sounds use a “stretched tuning” that makes the notes of the lower range slightly flatter than equal temperament, and the upper range slightly sharper. This is how an acoustic piano is normally tuned by professional tuners.

## MIDI

### What is MIDI?

MIDI, is the abbreviation of Musical Instrument Digital Interface. It is an international standard that was created to connect and transfer data between electronic musical instruments, computers and other devices.

### What can you do with MIDI?

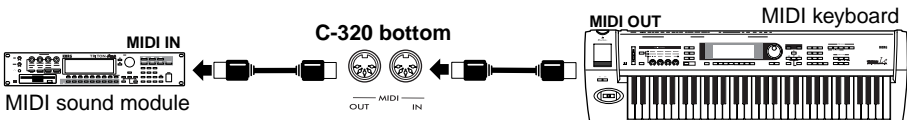
Thanks to MIDI, you can use the C-320 to control other instruments, use other instruments to control the C-320, and use a sequencer to create complex musical pieces.

When you use the C-320 keyboard or pedal, or select a sound, the notes, pedal activation and change in sound are transmitted to another instrument, or are recorded by a sequencer.

### Connections

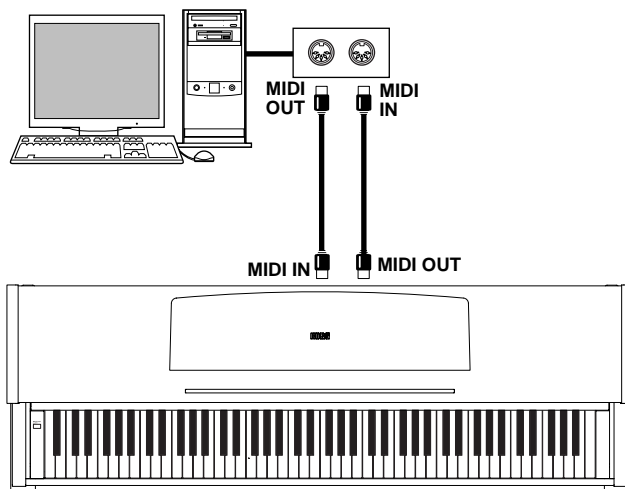
Always connect the MIDI OUT connector of the instrument to the MIDI IN connector of another instrument. Never connect two connectors of the same instrument to each other.

Connect the MIDI OUT connector of the transmitting (master) device to the MIDI IN connector of the receiving (slave) device.



To connect the C-320 to a computer, you need a MIDI interface for the computer, sequencing or musical notation software, and two standard MIDI cables. Connect

the C-320 MIDI OUT connector to the MIDI IN connector of the computer. Connect the C-320 MIDI IN connector to the MIDI OUT connector of the computer.



## Standard MIDI settings

When turning the instrument on, the MIDI parameters of the C-320 are programmed as follows:

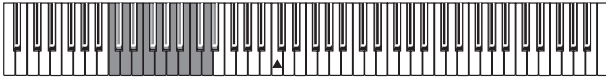
Parameter	Setting
Transmission channel	1
Reception channel(s)	All 16 (1-16)*
Local	ON
Omni	OFF

(\* ) On channel 10, only metronome notes are received (D#5, E5).

## Selecting the transmission channel

The standard MIDI has 16 separate channels available for transmission and reception of data. C-320 always receives on all 16 channels, and transmits on a single channel. To transmit data from the C-320, you need to choose which of the 16 channels you wish to transmit data on.

Hold down the TRANSPOSE/FUNCTION button, and press the note in the range C2–D#3 corresponding to the desired MIDI channel.



Key	Channel	Key	Channel
C2	1	C#2	2
D2	3	D#2	4
E2	5	F2	6
F#2	7	G2	8
G#2	9	A2	10
A#2	11	B2	12
C3	13	C#3	14
D3	15	D#3	16

---

**Note:** When the power is turned on, channel 1 will automatically be selected.

---

**Note:** By default, channel 10 will automatically be assigned to the metronome sound (notes D#5–E5).

---

**Note:** In Layer mode, the second sound transmits on the following channel. For example, if you select channel 7, the first sound will transmit on channel 7, while the second sound will transmit on channel 8. If you select channel 16, the first sound will transmit on channel 16, while the second sound will transmit on channel 1 (cycling back to the first channel).

---

## Using the C-320 as a multitimbral tone generator

When C-320 is controlled from an external MIDI device, it can work as a 16-part multitimbral tone generator. You can select a different sound on each of the 16 MIDI channels.

- 1 Use a MIDI cable to connect the C-320's MIDI IN to the MIDI OUT of a sequencer etc.
- 2 Transmit MIDI data from the connected sequencer (or other device). See "Program Change" on page 29 for instructions on how to select a sound using the MIDI Program Change message. Program Change reception must be activated on the C-320 (it is by default).

Read the other devices user's manual for details on sending Program Change messages.

## Local On/Off

Local is the parameter that allows you to establish whether the keyboard has to play the internal sounds and transmit MIDI data at the same time (Local On), or whether it just has to transmit MIDI data and not play the internal sound (Local Off).

Local Off should be chosen when you wish to use the C-320 as a mute keyboard, to play another instrument. It should be chosen also when C-320 is connected to a sequencer via its MIDI IN and MIDI OUT connectors. This will avoid the notes to be played twice, by the keyboard and by the sequencer, producing an annoying "echo" effect.

Normally, you will choose Local On (automatically selected when turning the C-320 on), so that playing the keyboard will produce sound.

Hold down the TRANSPOSE/FUNCTION button, and press the PIANO 1 sound selection button. The Local setting will alternate to On/Off each time you press this button.

Local status	PIANO 1 indicator status
Local On	Lit
Local Off	Dark

---

**Note:** When the power is turned on, the Local will be automatically set to On.

---

## Program Change

The sound of the C-320 can be selected via MIDI, by sending a Program Change message on the channel where you wish to assign the sound. The table enlists the Program Change numbers (numbering from 0-29; if the transmitting device uses numbers from 1-30, you will need to increment the number by one).

**Transmitting Program Change messages.** You can send a MIDI Program Change message to a MIDI device connected to the C-320 MIDI OUT, to change its sound. When selecting one of the internal sounds of the C-320 by using the sound selection buttons, a MIDI Program Change number will be transmitted, as shown in the table below.

**Receiving Program Change messages.** When a Program Change message is received from an external device, the corresponding internal sound will be selected

on the C-320, as shown in the following table. Only Program Change (PC) numbers in the range 0–29 have effect on the C-320, while other numbers (30-127) are ignored.

PC#	Button	Bank	Sound
0		1	Grand Piano
1	PIANO 1	2	Bright Piano
2		3	Mellow Piano
3		1	Honky-Tonk
4	PIANO 2	2	Detune Piano
5		3	E.Grand Piano
6		1	Club E.Piano
7	E.PIANO 1	2	Stage E.Piano
8		3	Thin E.Piano
9		1	80's E.Piano
10	E.PIANO 2	2	Digital E.Piano
11		3	Vintage E.Piano
12		1	Harpsichord
13	HARPSI/CLAV	2	Clav.
14		3	Wah Clav.
15		1	Vibraphone
16	VIBES/GUITAR	2	Marimba
17		3	Acoustic Guitar
18		1	Jazz Organ 1
19	ORGAN1	2	Jazz Organ 2
20		3	Jazz Organ 3
21		1	Church Organ 1
22	ORGAN2	2	Church Organ 2
23		3	Church Organ 3
24		1	Slow Strings
25	STRINGS/PAD	2	Warm Pad
26		3	Strings
27		1	Choir Hoo
28	CHOIR	2	Choir Doo
29		3	Choir Pad



**Program Change enable/disable.** To transmit and receive this kind of data, you must enable Program Change messages transmission and reception. Otherwise, you can disable Program Changes data.

Hold down the TRANSPOSE/FUNCTION button, and press the PIANO 2 sound selection button. Each time you press the switch, the setting will alternate between Enabled and Disabled.

Program Change status	PIANO 2 indicator status
Enable	Lit
Cancel	Dark

---

**Note:** When the power is turned on, program changes will be enabled for all MIDI channels.

---

## Control Change

When you operate the damper pedal, adjust the balance in Layer mode, or make other adjustments on the control panel, a Control Change message is sent to a connected external MIDI device. At the same time, C-320 can receive a Control Change message from an external MIDI device connected to its MIDI IN, to control the damper pedal, volume adjustment, and other data.

**Control Change enable/disable.** To transmit and receive this kind of data, you must enable Control Change messages transmission and reception. Otherwise, you can disable Control Changes data.

Hold down the TRANSPOSE/FUNCTION button, and press the E.PIANO 1 sound selection button. Each time you press this button, the setting will alternate between Enabled and Disabled.

Control Change status	E.PIANO 1 indicator status
Enabled	Lit
Disabled	Dark

---

**Note:** When the power is turned on, Control Change messages will be enabled on all MIDI channels.

---

## MIDI Data Dump

You can save the current sound settings (Single or Layer mode) on an external MIDI storage device, like a sequencer or a MIDI data filer. You can later reload these data into the C-320, to restore a saved set of data.

---

**Warning:** To avoid loosing data, carefully read the owner's manual of your MIDI data filer. Loading data into the memory of the C-320 will erase all existing data.

---

**Hint:** To avoid any trouble, don't forget to deactivate System Exclusive data reception on the connected device.

---

The following table shows which data are saved with the Data Dump.

Category	Data
Single mode	Reverb and chorus settings (on/off status, send level)
Layer mode	Balance between sounds, damper pedal on/off status for each sound.

**Saving data to the data filer.** Here is how to save the data of the C-320.

- 1 Use a MIDI cable to connect the C-320 MIDI OUT to the MIDI IN of the data filer.
- 2 Prepare the data filer to receive MIDI data.
- 3 On the C-320, hold down the TRANSPOSE/FUNCTION button, and press the VIBES/GUITAR sound selection button. The indicators of the TRANSPOSE/FUNCTION and VIBES/GUITAR buttons will blink, indicating that the C-320 is ready to transmit the data dump.
- 4 Press the TOUCH button. The data dump will begin, and the sound setting data will be transmitted to the data filer.

During a data dump operation, the C-320 will not produce sound, and no other function will work. When the data dump is completed, you will return to normal playing condition.

You may cancel a data dump operation before the data dump begins, by pressing the TRANSPOSE/FUNCTION or VIBES/GUITAR button.

**Loading data from the data filer.** You can load into the C-320 data you previously saved on a data filer.

- 1 Use a MIDI cable to connect the MIDI IN of the C-320 to the MIDI OUT of the data filer.

- 2 On the C-320, hold down the TRANSPOSE/FUNCTION button and press the VIBES/GUITAR sound selection button. The indicators of the TRANSPOSE/FUNCTION and VIBES/GUITAR buttons will blink, and the C-320 will wait to receive the data dump.
- 3 Set the data filer to send the sound setting data that were previously saved from the C-320. Please read the data filer owner's manual for details on data transmission.

The C-320 will receive the data.

When the data dump is finished, the C-320 will return to the same status it was before the data dump.

During a data dump operation, the C-320 will not produce sound, and no other function will work.

You may cancel a data dump operation before the data dump begins, by pressing the TRANSPOSE/FUNCTION or VIBES/GUITAR button.

---

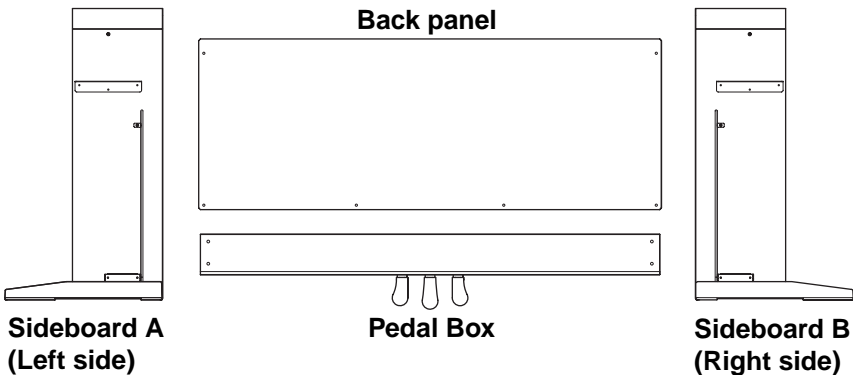
## Assembling the stand

### Cautions for assembly

- When placing the piano on the stand, be careful not to pinch your hands.
- Be sure that the correct parts are assembled in the correct orientation and position, and follow the steps in order.
- Do not apply weight to the front edge of the piano before tightening the screws, otherwise the piano may fall down.

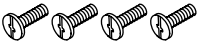
### Assembling procedure

- 1 Open the packing carton and take out the contents. Check that all of the following items are available.



## Assembly Accessories

Screws (a)  
(M6 x 20)...4pcs.



Cable holder  
...2 pcs.



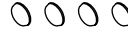
Screws (b)  
(M4 x 14)...6pcs.



Piano Fasteners  
...2 pcs.



Caps...4pcs.

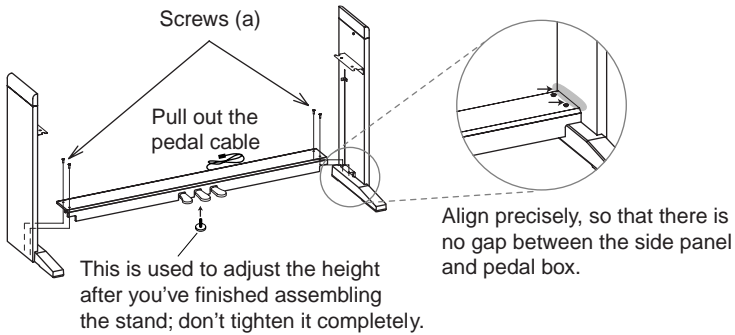


Adjuster...1pc.

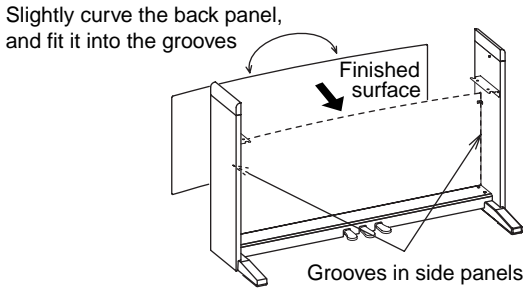


**NB:** You will need a cross-point (Phillips #2) screwdriver for assembly.

- 2 Screw the adjuster into the pedal box as far as it will go, and attach the pedal cable. Use screws (a) to fasten the side panels to the pedal box. Make sure that there is no gap between the side panels and the pedal box.



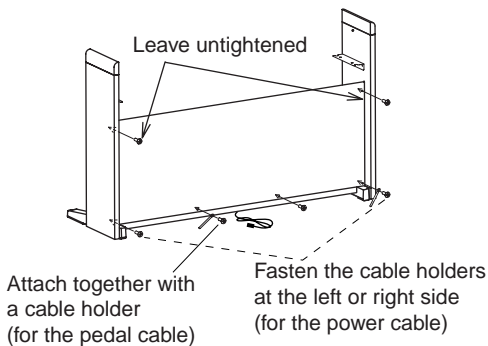
- 3 With the finished surface (woodgrain) facing forward, curve (bow) the back panel slightly and fit it into the grooves of the side panel.



- 4 Use screws (b) to fasten the side panels.

Start by fastening the bottom edge of the back panel (four locations). In two locations, pass the screw through a cable holder to attach it to the stand. Attach the power cable holder at either the right side or the left side depending on the location of the AC outlet you'll be using.

Then fasten the top edge of the back panel (two locations). Don't tighten these screws completely yet, since you'll be adjusting this area after you attach the instrument to the stand.



- 5 Make sure that the stand is not tilted and that there are no gaps in it, and then firmly tighten all of the screws, except for the two screws you left untightened.

## 6 Attach the instrument.

Position the screw heads protruding from the inside of the left and right sides of the stand, so that they are aligned with the grooves of the metal fitting at the left and right ends of the instrument, and gently lower the instrument onto the stand. If the instrument is aligned correctly, the screws on the inside of the side panels will fit firmly into the grooves of the metal fittings.

You can perform this step more easily if you use your body to apply pressure to the side panel of the stand while sliding the instrument onto the stand.

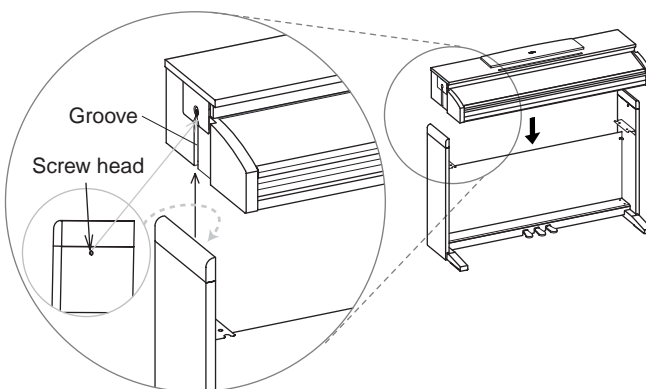
---

**Note:** Carefully lower the left and right ends of the instrument evenly, keeping the instrument level, and being careful not to pinch your hand or drop the instrument.

---

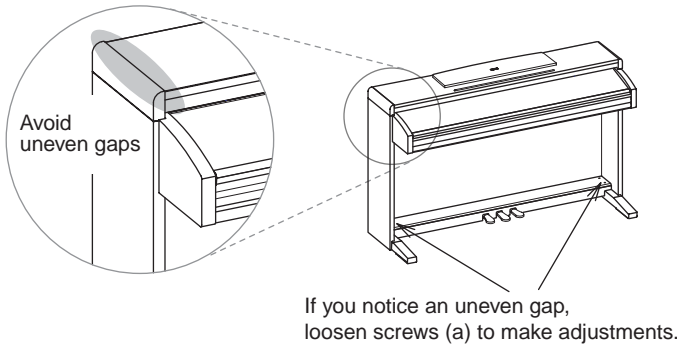
**Note:** The side panels are easily scratched; please use caution.

---



- 7 Make sure that there are no uneven gaps between the top surface of the instrument and the top of the side panels.

If you notice any unsightly gap, make adjustments by loosening the screws (a) that fasten the side panel to the pedal box.



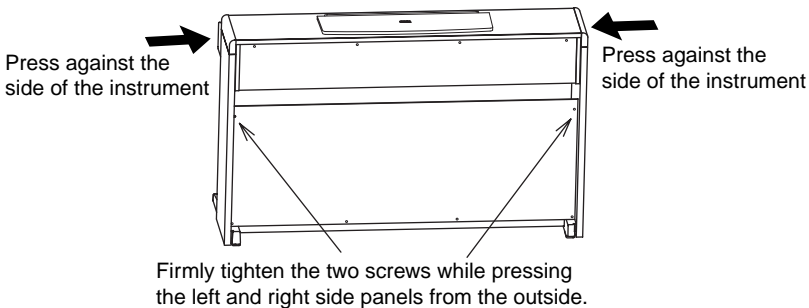
If there is a very noticeable gap between the instrument and the side panels of the stand, or if the gap is uneven, it may be that the instrument was not placed correctly on the stand. If so, lift up the entire instrument and place it correctly on the stand.

---

**Note:** Lifting only one side is very dangerous and may also damage the metal fixtures of the instrument itself. You must raise or lower both left and right ends of the instrument simultaneously, keeping the instrument level.

---

- 8 While pressing the upper edge of the stand, tighten the two back panel screws that you had left untightened.

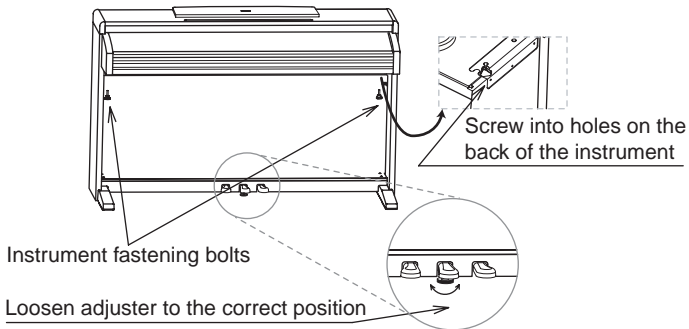


- 9 Fasten the instrument fastening bolts from below the instrument.

Then loosen the adjuster, and adjust it so that it is in firm contact with the floor.



**Note:** Unless the adjuster is in firm contact with the floor, the pedal will wobble, possibly causing malfunctions



Verify that all screws are firmly tightened. Finally, place caps on the heads of pedal box screws (a).

- 10 Connect the included power cable to the AC adaptor.

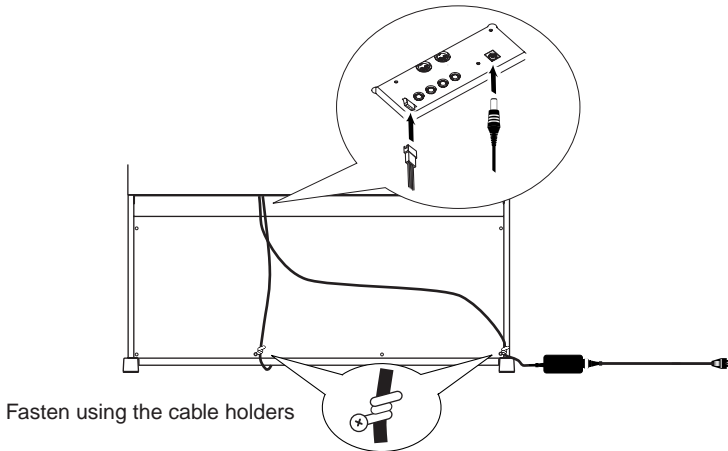


- 11 Connect the pedal cable and the DC plug of the AC adaptor to the bottom of the instrument, and use the cable retainers to fasten the cables.

---

**Note:** Pay attention to the orientation of the connector when connecting the pedal cable.

---



---

**Note:** When placing your digital piano, be careful that the stand is not resting on the AC adaptor cable.

---

## Check after assembly

[•] Are any parts left over?

If any parts are left over, check the diagrams to see where they should be used.

[•] Make sure that all screws are tight.

## Caution

**Caution when transporting the instrument.** Remove the piano from its stand, and transport them separately. After transportation, refer to these instructions and re-assemble the piano and stand.

**Screw loosening.** After assembly, the various screws and bolts of the stand may loosen as time goes by, causing the stand to wobble. If this occurs, re-tighten the screws.

**Disassembly.** If you need to pack up the piano, reverse the assembly order by which the piano was attached to the stand and the stand was assembled. After disassembly, save the screws and other parts so that no parts are lost.

## Appendix

### Troubleshooting

If during use any of the following problems should occur, carefully examine the instrument to see if you can find out what the problem is, and try resolving it by following the suggestions below. If the instrument will still not function properly refer to your dealer or to an Authorized Korg Service Center.

Problem	Possible remedy	Page
The instrument will not turn on.	Check that the AC adapter is correctly connected to the piano and the outlet.	11
No sound.	(1) Make sure that the volume is not set on 0. If it is, bring it up to an adequate level.	13
	(2) Make sure there is not a jack plugged into one of the PHONES connectors. This would turn the internal speakers off. if so, unplug the jack.	12
	(3) Make sure that the MIDI Local function is not set on OFF. If it is, set it to ON (or turn the instrument off and then on again).	29

### Polyphony

The C-320 contains sampled sounds, which have been recorded, analyzed and processed from the actual sounds of the original musical instruments. These sounds usually consist of one or more different samples reproduced by pressing a key. Each sample is played back by a single oscillator. Sounds using just one oscillator have a full polyphony of max. 60 voices, while sounds using two oscillators have a limited polyphony of max. 30 notes. Sounds using more oscillators have a more limited polyphony. When the number of notes exceeds the limit of the sound, some notes will be stopped, so that the new ones can be heard.

Furthermore, when playing in Layer mode with more than two notes, the max. polyphony depends on how many oscillators are used in total. Using the REVERB, CHORUS further reduces the polyphony, respectively, by 10 and 3 notes.

Please refer to the table on page 16 for more information about the number of oscillators used by each sound.

## Technical specifications

Specifications	C-320
Keyboard	88 notes, velocity sensitive, with Korg RH3, Real Weighted Hammer Action
Touch selection	Light, Normal, Heavy
Tuning	Transpose, Fine tuning, Temperament (Equal, Kirnberger, Werckmeister)
Sound generation	Stereo PCM System
Polyphony	60 notes (max). The use of 2-oscillator sounds, the Layer mode and/or the reverb or chorus reduces the maximum number of simultaneous notes.
Sounds	30 sounds in ROM
Effects	Reverb, Chorus (3 levels each)
Demo	30 incorporated demos
Metronome	Tempo, Time signature, Accent and Volume controls
Pedals	Damper, Soft, Sostenuato (Damper and Soft with half-pedalling)
Connections	Audio output (OUTPUT L/MONO, R), Audio input (INPUT L/MONO, R), 2 x Headphones, MIDI (IN, OUT), Pedals
Controls	Power switch, Master Volume, Reverb, Chorus, Touch, Transpose/Function, Bank, Sound selectors, Tempo, Metronome, Demo
Amplification	2 x 25 Watt amplifier, 2 x 13cm speakers
Power supply	External switching adapter, AC100~240V, 50/60Hz, to DC18V, 3.3A
Dimensions (W x D x H)	55.0 x 18.2 x 34.2 inch (1396 x 462 x 869 mm), including stand; with music stand folded down
Weight	110 lbs (50 kg), including stand
Included accessories	AC adapter; Special chair; Special stand

*Sounds processed with INFINITY™.*

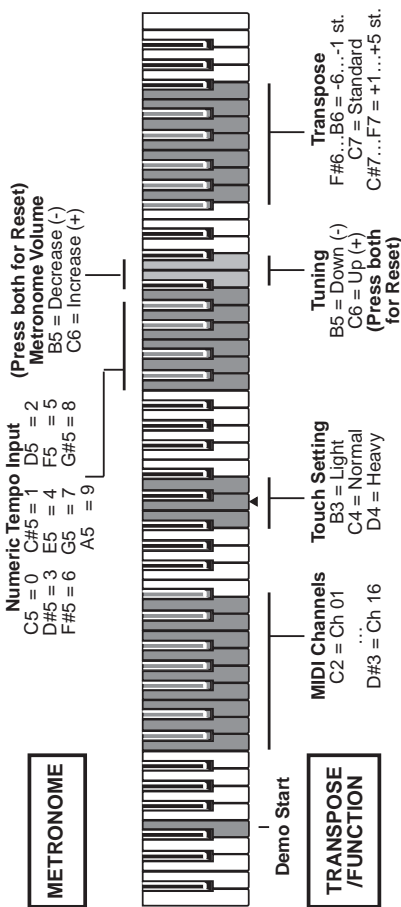
*Korg reserves the right to change the specifications without notice.*

# Control panel shortcuts

...While pressing this one Keep this button pressed...	PIANO 1	PIANO2	E.PIANO 1	E.PIANO 2	HARPSI/CLAV	VIBES/GUITAR	ORGAN 1	ORGAN 2	STRINGS/PAD	CHOIR
<b>REVERB</b>	Depth = Low	Depth = Medium	Depth = High							
<b>CHORUS</b>	Depth = Low	Depth = Medium	Depth = High							
<b>TOUCH</b>	Light	Normal	Heavy		Werkmeister	Kirnbeger				
<b>METRONOME</b>	Time: 2/4	Time: 3/4	Time: 4/4	Time: 6/4	Accent	Bell sound			Metro Vol. Dec.	Metro Vol. Inc.
<b>TRANSPOSE/FUNCTION</b>	Local On/Off	Prg.Change Rx/Tx	Ctrl.Change Rx/Tx			Data Dump				

## Control panel and keyboard

The following diagram shows the various functions you can access by holding the METRONOME or TRANSPOSE/FUNCTION button down, while pressing one of the notes on the keyboard.





# KORG

## *CONCERT*

### *C-320*

## *Mode d'emploi*

## PRECAUTIONS

### Position de l'instrument

L'instrument ne doit jamais être installé :

- Aux rayons directs du soleil
- Dans des milieux extrêmement froids ou humides
- Dans des milieux particulièrement sales ou poussiéreux
- Dans des milieux soumis à de fortes vibrations

### Alimentation

Brancher l'adaptateur AC fourni à une prise secteur ayant un voltage adapté. Ne jamais brancher l'instrument à une prise secteur dont le voltage est différent de celui pour lequel l'appareil est prédisposé.

### Interférences avec d'autres dispositifs électriques

Cet instrument est doté d'un micro-ordinateur. Des appareils tels que radios ou postes de télévision peuvent interférer sur son fonctionnement. Il faut donc l'installer à une distance appropriée de tels appareils.

### Manipulation

Ne jamais appliquer une force excessive aux interrupteurs ou aux contrôles car ceci peut les endommager.

### Nettoyage

Si le boîtier de l'appareil est sale, le nettoyer à l'aide d'un chiffon sec. Ne jamais utiliser des détergents liquides tels que mazout ou alcool, ou abrasifs ou détergents inflammables.

### Conservation ce mode d'emploi

Après l'avoir lu, conserver le mode d'emploi pour de futures références.

### Ne jamais introduire dans l'appareil des objets ou des choses

- En aucun cas l'instrument ne doit être en contact avec des liquides. Si un liquide pénètre dans l'instrument, il y a danger de panne de courant, de feu, voire d'électrocution.
- Ne jamais introduire des objets métalliques dans l'instrument. Si de tels objets pénètrent dans l'instrument, déconnecter l'adaptateur

AC de la prise secteur et contacter le revendeur Korg ou le magasin le plus proche.

### MARQUE CE POUR L'HARMONISATION DES STANDARDS EUROPEENS

La marque CE est apposée depuis le 31 décembre 1996 sur nos produits qui utilisent la tension AC, conformément à la Directive EMC (89/336/CEE) et à la Directive sur la marque CE (93/68/CEE).

La marque CE apposée depuis le 1<sup>er</sup> janvier 1997 indique la conformité aux Directives EMC (89/336/CEE), sur la marque CE (93/68/CEE) et à la Directive concernant la Basse Tension (73/23/EEC).

De même, la marque CE apposée sur nos appareils faisant appel à l'alimentation sur piles indique la conformité à la Directive EMC (89/336/CEE) et à la Directive sur la marque CE (93/68/EEC).

### THE FCC REGULATION WARNING (FOR THE U.S.A. ONLY)

This equipment has been tested and found to comply with the limits for a Class B digital device, pursuant to Part 15 of the FCC Rules. These limits are designed to provide reasonable protection against harmful interference in a residential installation. This equipment generates, uses, and can radiate radio frequency energy and, if not installed and used in accordance with the instructions, may cause harmful interference to radio communications. However, there is no guarantee that interference will not occur in a particular installation. If this equipment does cause harmful interference to radio or television reception, which can be determined by turning the equipment off and on, the user is encouraged to try to correct the interference by one or more of the following measures:

- Reorient or relocate the receiving antenna.
- Increase the separation between the equipment and receiver.
- Connect the equipment into an outlet on a circuit different from that to which the receiver is connected.



- Consult the dealer or an experienced radio/TV technician for help.

Unauthorized changes or modification to this system can void the user's authority to operate this equipment.

## RETABLISSEMENT DES DONNEES

Lors de la mise hors tension de l'instrument, tous les paramètres se rétablissent à leur valeur d'usine.

## RECLAMATIONS

Les informations contenues dans cette publication ont été soigneusement préparées et vérifiées. Vu notre continuel engagement à l'amélioration de nos produits, il se peut que des spécifications soient différentes de celles détaillées dans le mode d'emploi. Korg décline toute responsabilité envers les éventuelles différences qui peuvent se présenter entre les spécifications et la description détaillée dans le mode d'emploi - les spécifications sont sujettes à modifications sans préavis.

## GARANTIE

Les produits KORG sont fabriqués conformément aux plus rigoureuses spécifications en vigueur dans chaque pays. Ces produits sont garantis par le distributeur KORG dans le pays où ils ont été vendus. Le fabricant/distributeur décline toute responsabilité ou garantie envers tout produit KORG vendu démuné de garantie ou de numéro de série. Ceci afin de mieux garantir la protection et la sécurité de l'acheteur.

## SERVICE ET ASSISTANCE AU MUSICIEN

Contactez le Service d'Assistance Agréé KORG le plus proche. Le revendeur Agréé KORG est à votre disposition pour toute ultérieure information concernant les produits, les logiciels et les accessoires pour piano.

## KORG SUR INTERNET

Accueil Korg Inc. : [www.korg.co.jp](http://www.korg.co.jp)

Accueil Korg France : [www.korgfr.net](http://www.korgfr.net)

Accueil Korg Canada : [www.korgcanada.com](http://www.korgcanada.com)

Accueil Korg USA : [www.korg.com](http://www.korg.com)

© 2005 Korg Italy Spa. Imprimé en Japon

## SOMMAIRE

-----

Introduction	49
Caractéristiques principales	49
1 Faces avant et arrière	51
Face avant	51
Face arrière	53
2 A lire en premier	54
Branchement à un système d'amplification externe	54
Utiliser les casques	54
Ouvrir le clavier	55
Mettre l'instrument sous tension	55
Monter le pupitre	56
Régler le volume	56
Reproduire les Morceaux de Démonstration	56
3 Fonctions de base	59
Jouer un timbre (mode Single)	59
Jouer deux timbres à la fois (mode Layer)	60
Choisir les effets de réverbération et de chorus	60
Utiliser les pédales	61
Régler les pédales pour le mode Layer	62
Le métronome	62
4 Fonctions diverses	66
Réglage du toucher	66
Fonction Transpose	67
Accordage fin	68
Sélectionner un tempérament	69
5 MIDI	70
Le MIDI, qu'est-ce que c'est ?	70
Que peut-on faire avec le MIDI?	70
Connexions	70
Réglages MIDI standards	71
Sélectionner le canal de transmission	71
Utiliser le C-320 en tant que générateur de sons multimbres	72
Local On/Off	73
Program Change	73
Control Change	75
MIDI Data Dump	76
6 Assembler le stand	78
Précautions à adopter pendant les opérations d'assemblage	78
Instructions	78
Tests à effectuer après l'assemblage	84
Précautions	84
7 Appendice	86
Problèmes et solutions	86
Polyphonie	86
Spécifications techniques	88
Détails du tableau de commande	89
Tableau de commande et clavier	89
MIDI Implementation Chart	178

-----

# Introduction

## Caractéristiques principales

**Vaste gamme de timbres.** Trente timbres différents, d'excellente qualité, y inclut un timbre "Stereo Concert Grand Piano". La fonction Layer permet de jouer deux timbres ensemble.

**Effets.** Le C-320 est doté d'effets numériques qui simulent une salle de concert (Reverb) et étoffent le timbre (Chorus).

**Pédale des effets.** Le C-320 est doté des trois mêmes pédales d'un piano à queue, de manière à pouvoir régler la pédale douce (soft), de soutien (sostenuto) et de résonance (damper). La pédale de résonance (ou damper) simule la résonance naturelle des cordes pincées d'un piano acoustique. La pédale de résonance et la pédale douce (ou soft) vous permettent les deux de régler le niveau d'effet de résonance en fonction de la pression exercée sur la pédale (effet "mi-pédale").

**Métronome.** Le métronome incorporé permet de sélectionner la métrique du tempo, le tempo, le volume et, éventuellement, d'utiliser une clochette pour mettre l'accent.

**Contrôle du Toucher.** Trois différents réglages de dynamique sont disponibles pour la réponse du clavier au toucher.

**Tempéraments.** Le C-320 joue le tempérament Egal (Equal), ainsi que deux autres tempéraments classiques (Kirnberger et Werckmeister) pour une attentive reproduction historique de la musique classique. En sélectionnant un timbre de piano acoustique, le typique "Stretched Tuning" (cordes pincées) correspondant est automatiquement choisi.

**Réglage de la hauteur.** La fonction Transpose permet de modifier la hauteur du timbre, tandis que la fonction Pitch Control permet d'effectuer un accordage fin.

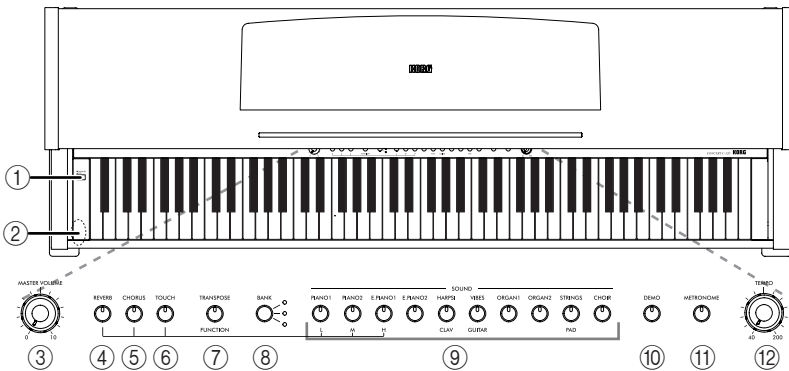
**Caractéristiques MIDI.** Le C-320 supporte le protocole MIDI, c'est à dire un protocole standard qui permet d'échanger des données musicales entre instruments musicaux et ordinateurs. Le protocole MIDI permet à deux dispositifs (ou plus) de piloter ou d'être pilotés l'un l'autre ; le C-320 peut ainsi fonctionner comme un générateur sonore à 16 parties multitimbres.

**Amplification de puissance intégrée.** Le C-320 est intégré d'un amplificateur de puissance de 25 Watts et de deux haut-parleurs de 13 cm.

**Deux paires de casques.** Vous pouvez brancher deux casques stéréos et ainsi jouer avec votre professeur ou un autre musicien.

## Faces avant et arrière

### Face avant

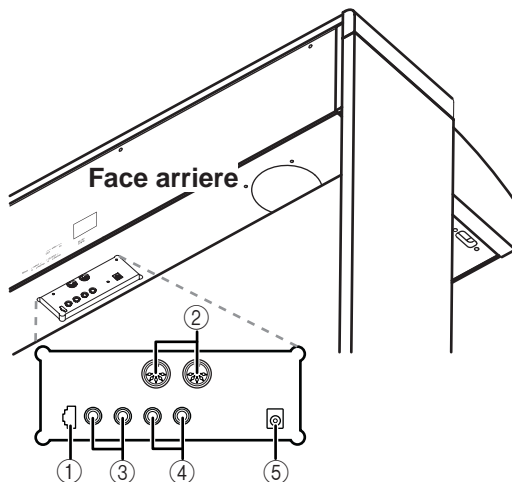


- 1 **Interrupteur POWER** : Interrupteur de mise sous/hors tension de l'instrument.
- 2 **Borne PHONES** : Permet de brancher un ou deux casques. Dans ce cas, les haut-parleurs intégrés sont coupés.
- 3 **Molette MASTER VOLUME** : Règle le volume des haut-parleurs, et des bornes Output et Phones.
- 4 **Bouton REVERB** : Active/coupe l'effet de réverbération. Etouffe le son.
- 5 **Bouton CHORUS** : Active/coupe l'effet de Chorus. Enrichit le son.
- 6 **Bouton TOUCH** : Sélectionne la courbe de dynamique du toucher du clavier.
- 7 **Bouton TRANSPOSE/FUNCTION** : Bouton multifonctions que l'on utilise pour modifier la transposition et l'accordage fin, pour programmer les paramètres MIDI et effectuer d'autres réglages.

**Note** : Lors de la mise hors tension de l'instrument, les paramètres se rétablissent à leur valeur d'usine.

- 8 Bouton BANK :** Sélectionne l'une des 3 banques de timbres disponibles.
- 9 Boutons de sélection des timbres (SOUND SELECTION) :** Appuyez sur l'un des boutons pour jouer le timbre indiqué (mode Single). Appuyez simultanément sur deux boutons pour jouer deux timbres (mode Layer).
- 0 DEMO:** Active/coupe le mode Demo, pour reproduire les morceaux de démonstration. Pour sélectionner les morceaux, appuyez sur les boutons de sélection des timbres (voir ci-dessus).
- A Bouton METRONOME :** Active/coupe le clic du métronome.
- B Molette TEMPO :** Règle le tempo du métronome.

## Face arrière



- 1 Borne PEDAL:** Connectez les pédales fournies à cette borne.
- 2 Bornes MIDI (IN, OUT) :** Bornes pour connecter des dispositifs tels que séquenceurs, claviers, etc. OUT : Sortie des données (à connecter à la borne MIDI IN d'un autre dispositif MIDI). IN : Entrée de données (à connecter la borne MIDI OUT d'un autre dispositif MIDI).
- 3 Bornes INPUT (L/MONO, R) :** Entrées Audio. Via ces bornes, vous pouvez brancher une source audio externe, par exemple un reproducteur CD, une table de mixage ou un autre clavier.

---

**Attention :** Il ne faut jamais brancher à ces bornes la sortie d'un amplificateur de puissance !

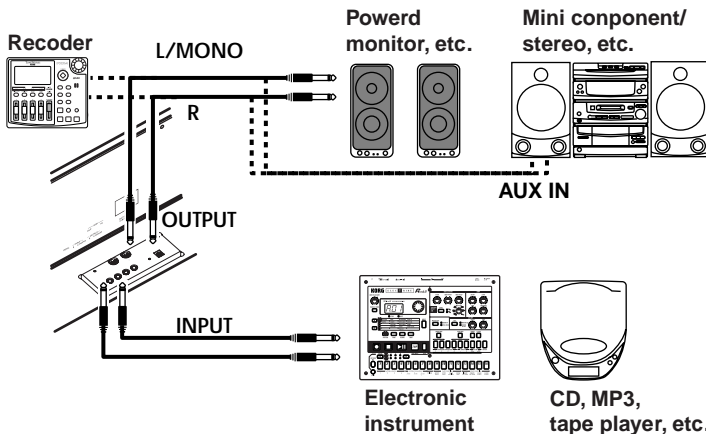
---

- 4 Bornes OUTPUT (L/MONO, R) :** Sorties Audio. Un système d'amplification externe peut être branché à ces bornes. (Avec un système hi-fi, utilisez les bornes AUX ou TAPE et non pas la borne PHONO). Pour amplifier votre C-320 en mono, branchez-vous à la borne individuelle L/MONO. Pour régler le volume de sortie, utilisez la molette MASTER VOLUME.
- 5 Borne AC ADAPTER:** Pour connecter l'adaptateur AC/DC fourni.

## A lire en premier

### Branchement à un système d'amplification externe

Utilisez les bornes OUTPUT pour brancher une table de mixage de qualité élevée, un hi-fi stéréo ou une paire de retours de scène à votre C-320. Si vous utilisez un hi-fi stéréo, branchez les bornes OUTPUT de l'appareil aux bornes d'entrée AUX ou TAPE de votre C-320 (ne jamais utiliser les entrées PHONO). Si l'amplification est en mono, utilisez uniquement la borne de sortie L/MONO.



### Utiliser les casques

Pour jouer ou s'exercer la nuit, ou pour ne pas déranger d'autres personnes présentes dans la même pièce, vous pouvez utiliser un ou deux casques de qualité élevée (on conseille une impédance de 32Ω) en les branchant aux bornes PHONES. Le standard de ces bornes est de 1/4". Si la prise de votre casque présente un adaptateur mini, lorsque vous branchez/débranchez le casque, ne tirez pas sur le cordon : prenez en main l'adaptateur et tirez-le.



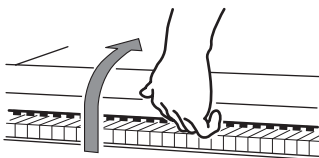
---

**Attention :** Pour protéger l'ouïe, on déconseille une écoute prolongée à volume élevé avec le casque.

---

## Ouvrir le clavier

Soulevez avec précaution le couvercle du clavier : empoignez-le en posant la main sur la coche située à mi-couvercle et soulevez-le en le soutenant et en le faisant glisser entièrement dans le C-320.



Pour fermer le couvercle, procédez à l'inverse en l'empoignant par la coche située au centre et en le tirant avec précaution.

---

**Note :** Faites attention à ne pas vous coincer les doigts ou les mains lorsque vous manipulez le couvercle pour l'ouvrir ou le fermer.

---

---

**Note :** Ne jamais exercer une force excessive lors de l'ouverture ou de la fermeture du couvercle car cela peut l'endommager.

---

---

**Note :** Avant d'ouvrir le couvercle, vérifiez qu'aucun objet (papiers, pièces de monnaies, etc.) ne soit posé dessus car ces objets pourraient tomber dans l'instrument.

---

## Mettre l'instrument sous tension

Introduire la fiche DC de l'adaptateur AC fourni dans la borne DC du C320 et ensuite connecter la fiche AC à la prise secteur.

Après avoir connecté le câble d'alimentation, appuyez sur l'interrupteur POWER. Lorsque l'instrument est sous tension, les témoins du tableau de commande s'allument. Pour mettre l'instrument hors tension, appuyez de nouveau sur POWER.

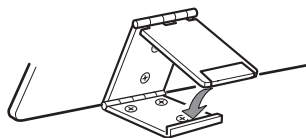
---

**Note :** Lorsque vous mettez hors tension l'instrument, tous les paramètres se rétablissent aux valeurs d'usine.

---

## Monter le pupitre

Soulevez le pupitre et posez-le sur les deux arrêts prévus en face arrière, de façon à ce qu'il ne tombe pas.



---

**Note :** Gardez enfoncé le bouton TRANSPOSE/FUNCTION et appuyez sur le bouton E1 du clavier pour lancer immédiatement la reproduction de tous les morceaux de démonstration.

---

## Régler le volume

Déplacez la molette MASTER VOLUME vers la droite pour augmenter le volume ; vers la gauche pour le diminuer. La valeur maximum est “10” ; celle minimum (silence) est “0”. Ce contrôle règle le niveau de sortie des casques, des haut-parleurs internes et des bornes OUTPUT.

---

**Note :** On conseille de toujours commencer à jouer à faible volume et de l'augmenter par la suite.

---

## Reproduire les Morceaux de Démonstration

30 morceaux de démonstration sont stockés dans le C-320. Reproduisez-les pour écouter les riches timbres et le potentiel d'expression sonore de votre instrument.

**Reproduire tous les morceaux.** Il suffit d'une seule commande pour reproduire tous les morceaux.

- 1 Appuyez sur le bouton DEMO (ou enfoncez le bouton TRANSPOSE/FUNCTION et appuyez sur la note E1 du clavier). Les témoins des boutons de sélection des timbres clignotent en séquence de gauche à droite. Après quelques secondes, la reproduction commence. Tous les morceaux de démonstration sont reproduits. A la fin du dernier morceau, la reproduction recommence depuis le premier.
- 2 Pendant la reproduction, appuyez sur l'un des boutons de sélection des timbres pour répéter uniquement les dix morceaux de démonstration de la banque en cours. (Il y a trois banques de dix morceaux de démonstration chacune : 1-10, 11-20, 21-30). Par exemple, si vous appuyez sur le bouton CHOIR pendant la reproduction du morceau 1, le morceau 10 est immédiatement reproduit et ensuite le cycle recommence de 1 à 10.
- 3 Appuyez sur DEMO pour arrêter la reproduction et quitter le mode de démonstration.

**Reproduire un morceau individuel.** Vous pouvez sélectionner un morceau spécifique et le reproduire.

- 1 D'abord, vous devez sélectionner l'une des trois banques de timbres disponibles.
  - Pour sélectionner la première banque (1-10), appuyez une fois sur le bouton DEMO. Les témoins clignotent l'un après l'autre, de gauche à droite.
  - Pour sélectionner la deuxième banque (11-20), appuyez de nouveau sur le bouton DEMO. Tous les témoins clignotent simultanément.
  - Pour sélectionner la troisième banque (21-30), appuyez une troisième fois sur le bouton DEMO. Les témoins adjacents clignotent de manière alternée.
- 2 Appuyez sur le bouton de sélection des timbres correspondant à la banque sélectionnée. Le témoin du bouton de démonstration sélectionné reste allumé, tandis que les autres s'éteignent.

A la fin de la reproduction du morceau sélectionné, tous les morceaux de la banque sélectionnée seront reproduits en cycle.

Bouton	Banque1 (1-10)	Banque 2 (11-20)	Banque 3 (21-30)
PIANO 1	F. Mendelssohn-Bartholdy: Prelude Op.104a, no.2	Korg Original (M. Tempia): Reflection	C.A. Debussy: Arabesque no.1
PIANO 2	F. Chopin: Nocturne Op.9, no.2	S. Joplin: The Entertainer	J.S. Bach: Two-voice invention no.13
E.PIANO 1	C.A. Debussy: Clair de lune	Korg Original (M. Tempia): Jumper	F. Chopin: Fantasie-Impromptu Op.66
E.PIANO 2	Korg Original (M. Tempia): Lullaby for a Little Star	Korg Original (M. Tempia): All the Ones You Don't Know	J.S. Bach: Prelude in C major (from Das Wohltemperierte Klavier)
HARPSI /CLAV	L. van Beethoven: Für Elise	J.S. Bach: Italian Concert	Korg Original (M. Tempia): Rubber Bob
VIBES /GUITAR	F. Chopin: Etude Op.10, no.3	Korg Original (M. Tempia): Jazz in Spain	R. Schumann: Trauerei, Op.15, no.7
ORGAN 1	W.A. Mozart: A la turque (from the Sonata in A-major K.331)	Korg Original (M. Tempia): Cool "B"	F. Mendelssohn-Bartholdy: Spring Song, Op.62, no.6
ORGAN 2	F. Chopin: Valse no.6 in D <sub>3</sub> -major Op.64, no.1	F. Mendelssohn-Bartholdy: Wedding March	Korg Original (M. Tempia): Sunflowers
STRINGS /PAD	Korg Original (M. Tempia): Old Feather Blues	J.S. Bach: Air on the G string	P.D. Paradisi: Toccata in A major
CHOIR	Korg Original (M. Tempia): Noise of time	Korg Original (M. Tempia): Voice Texture	Korg Original (M. Tempia): Wet Raccoon Rag

- 3 Appuyez sur DEMO pour arrêter la reproduction et quitter le mode de démonstration.

---

**Note :** Pendant la reproduction des morceaux de démonstration, vous ne pouvez pas sélectionner un timbre en appuyant sur les boutons de sélection des timbres ou sur les boutons REVERB et CHORUS.

---

**Régler le tempo des morceaux de démonstration.** A l'aide de la molette TEMPO, vous pouvez modifier le tempo du morceau de démonstration sélectionné. Normalement, le tempo de reproduction des morceaux de démonstration n'est pas influencé par les positions de la molette TEMPO.

---

**Note :** Vous ne pouvez pas utiliser le métronome pendant la reproduction d'un morceau de démonstration.

---

**Note :** Lorsqu'un morceau de démonstration est sélectionné, c'est son tempo original qui est reproduit.

---

## Fonctions de base

### Jouer un timbre (mode Single)

Sélectionner l'un des trente timbres à disposition.

- 1 Appuyez sur l'un des boutons de sélection des timbres. Le témoin du bouton enfoncé s'allume.
- 2 Appuyez sur le bouton BANK pour sélectionner l'une des trois banques disponibles (1-10, 11-20, 21-30). En appuyant une fois sur ce bouton, c'est la Banque 2 qui est sélectionnée ; en l'appuyant deux fois, c'est la Banque 3 qui est sélectionnée ; en l'appuyant trois fois, c'est la Banque 1 qui est de nouveau sélectionnée.

Bouton	Banque 1	#	Banque 2	#	Banque 3	#
PIANO 1	Grand Piano	2	Bright Piano	2	Mellow Piano	2
PIANO 2	Honky-Tonk	2	Detune Piano	2	E.Grand Piano	1
E.PIANO 1	Club E.Piano	2	Stage E.Piano	1	Thin E.Piano	2
E.PIANO 2	80's E. Piano	2	Digital E.Piano	1	Vintage E. Piano	1
HARPSI/CLAV	Harpsichord	1	Clav.	1	Wah Clav.	1
VIBES/GUITAR	Vibraphone	1	Marimba	1	Acoustic Guitar	1
ORGAN 1	Jazz Organ 1	2	Jazz Organ 2	2	Jazz Organ 3	2
ORGAN 2	Church Organ 1	3	Church Organ 2	1	Church Organ 3	1
STRINGS/PAD	Slow Strings	2	Warm Pad	2	Strings	1
CHOIR	Choir Hoo	1	Choir Doo	2	Choir Pad	2

(#) Cette colonne détaille le nombre d'oscillateurs par voix exploités par chaque timbre

## Jouer deux timbres à la fois (mode Layer)

Vous pouvez jouer deux timbres ensemble sur le clavier. C'est le mode Layer.

---

**Note :** Lorsque le mode Layer est sélectionné, le nombre total de voix pouvant jouer simultanément est réduit, en fonction du nombre total d'oscillateurs exploités par les timbres sélectionnés.

---

**Note :** Deux timbres prévus sous le même bouton ne peuvent pas être sélectionnés simultanément.

---

- 1 Appuyez sur l'un des boutons de sélection des timbres pour sélectionner le premier timbre. Le témoin du bouton enfoncé s'allume. Appuyez sur le bouton BANK pour sélectionner un timbre dans une autre banque.
- 2 Appuyez sur un autre bouton de sélection des timbres pour sélectionner le second timbre. Le témoin du bouton enfoncé s'allume. Appuyez sur le bouton BANK pour sélectionner un timbre dans une autre banque.
- 3 Appuyez sur les deux boutons en même temps pour sélectionner les timbres. Les deux témoins s'allument.

---

**Note :** Les opérations des postes 1 et 2 ne sont pas nécessaires si la bonne banque est sélectionnée.

---

**Rétablir le mode Single.** Pour rétablir le mode Single, il suffit d'appuyer sur un seul bouton de sélection des timbres.

**Régler le volume des timbres en mode Layer.** Pour régler le balancement des timbres en mode Layer, maintenez enfoncé le bouton du timbre duquel vous souhaitez diminuer le niveau et appuyez autant de fois que nécessaire sur le bouton du timbre duquel vous souhaitez augmenter le volume.

---

**Note :** Ce réglage reste mémorisé même lorsque vous coupez le mode Layer, mais s'annule lors de la mise hors tension de l'instrument. Pour mémoriser ces réglages, il faut les sauvegarder par le biais de la fonction Data Dump (voir "MIDI Data Dump" on page 76).

---

## Choisir les effets de réverbération et de chorus

Le C-320 est doté de deux effets : réverbération et chorus. La réverbération simule la réflexion du son dans une salle, tandis que le chorus simule un effet modulant qui étoffe le son. Les réglages de l'effet sont mémorisés même lorsque vous sélectionnez un timbre différent.

**Note :** Les réglages des effets effectués en mode Single restent mémorisés même si vous sélectionnez le mode Layer, mais aucune des modifications effectuées en mode Layer ne sera mémorisée.

Lors de la mise hors tension de l'instrument, les réglages des effets se rétablissent à leur valeur d'usine. Pour mémoriser les réglages du mode Single, il faut les sauvegarder par le biais de la fonction Data Dump (voir "MIDI Data Dump" on page 76).

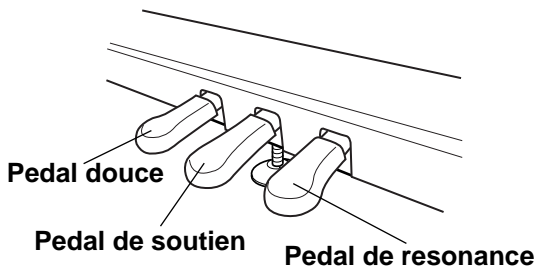
- 1 Enfoncez le bouton REVERB ou CHORUS et appuyez sur l'un des boutons de sélection des timbres PIANO 1/L, PIANO 2/M ou E.PIANO1/H pour sélectionner la profondeur de l'effet de réverbération ou de chorus.

Bouton	Profondeur de la réverbération	Profondeur du chorus
PIANO 1/L	Réverbération faible	Chorus faible
PIANO 2/M	Réverbération normale	Chorus normal
E.PIANO 1/H	Réverbération profonde	Chorus profond

- 2 Pour vérifier la profondeur de la réverbération ou du chorus en cours, enfoncez le bouton REVERB ou CHORUS et regardez quel témoin s'allume.
- 3 Pour couper l'effet de réverbération ou de chorus, appuyez sur le bouton REVERB ou CHORUS. Le témoin du bouton s'éteint.

## Utiliser les pédales

Le C-320 est doté de trois pédales : douce (soft), de soutien (sostenuto) et de résonance (damper). Utilisez-les pour enrichir votre morceau d'expressions.



**La pédale douce (ou soft).** Lorsque vous appuyez sur cette pédale, le son sera plus doux et mélodieux. La pression exercée sur la pédale règle l'application de l'effet "soft" du son (effet mi-pédale).

**La pédale de soutien (ou Sostenuato).** L'effet "damper" s'applique uniquement aux notes effectivement jouées lorsque vous appuyez sur la pédale ; c'est ainsi que ces notes continuent à résonner tant que vous appuyez sur la pédale. L'effet "damper" ne s'applique à aucune nouvelle note jouée après avoir appuyé sur la pédale de soutien.

**La pédale de résonance (ou damper).** Tant que vous appuyez sur cette pédale, le son sera soutenu et enrichi d'une résonance. La pression que vous exercez sur la pédale règle le niveau de l'effet de résonance (effet mi-pédale).

## Régler les pédales pour le mode Layer

En mode Layer, vous pouvez sélectionner le(s) son(s) au(x)quel(s) appliquer l'effet de la pédale de résonance.

---

**Note :** Lors de la mise sous tension de l'instrument, les réglages de la pédale se rétablissent à leur valeur d'usine. Pour mémoriser ces réglages, les sauvegarder par le biais de la fonction Data Dump (voir "MIDI Data Dump" on page 76).

---

- 1 Enfoncez le bouton TRANSPOSE/FUNCTION et appuyez sur la pédale d'étouffement. Chaque fois que vous appuyez sur la pédale, le témoin du bouton de sélection des timbres sur lequel la pédale est activée s'allume.
- 2 Lorsque la pédale est ainsi affectée au(x) timbre(s) désiré(s), relâchez le bouton TRANSPOSE/FUNCTION.

## Le métronome

Le C-320 est doté d'un métronome qui vous permet de régler le tempo lorsque vous vous exercez.

**Lancer et arrêter le métronome.** Appuyez sur METRONOME pour lancer le métronome ou l'arrêter. Lors de la mise sous tension de l'instrument, le métronome est réglé en fonction de la position du curseur, mais vous pouvez le régler à votre gré en procédant comme expliqué successivement. Si vous reproduisez un morceau de démonstration, le tempo en cours correspondra au dernier morceau de démonstration reproduit.

**Régler le volume du métronome.** Lorsque le métronome est activé, enfoncez le bouton METRONOME et appuyez plusieurs fois sur STRINGS/PAD (ou sur la touche Si5) pour diminuer le volume, sur CHOIR (ou sur la touche Do6) pour l'augmenter. Pour rétablir le volume à ses valeurs d'usine, appuyez simultanément sur les



deux boutons STRINGS/PAD et CHOIR (ou sur les touches Si5 et Do6 du clavier) tout en maintenant enfoncé le bouton METRONOME.



Touche	Effet	Touche	Effet
Si5	Volume faible	Do6	Volume élevé

**Régler le tempo par le biais du curseur TEMPO.** La molette TEMPO permet de régler le tempo dans une plage de ♩ = 40 ~ 200.

**Saisie numérique du tempo.** Parfois, le tempo doit être très précis (par exemple 127 BPM). Vous pouvez saisir un tempo exact via l'entrée digitale.

- 1 Maintenez enfoncé le bouton METRONOME.
- 2 Appuyez sur les touches du clavier pour saisir la valeur du tempo sur trois chiffres (insérer "0" avant une valeur à deux chiffres).



Touche	Numéro	Touche	Numéro
Do5	0	Do#5	1
Ré5	2	Ré#5	3
Mi5	4	Fa5	5
Fa#5	6	Sol5	7
Sol#5	8	La5	9

Par exemple, pour saisir la valeur 168, enfoncez le bouton METRONOME et appuyez sur Do#5 (1), Fa#5 (6), Sol#5 (8). Pour saisir une valeur de 85, enfoncez le bouton METRONOME et appuyez sur Do5 (0), Sol#5 (8), Fa5 (5).

**Sélectionner la "time signature".** Cette fonction permet d'accentuer le premier battement de la mesure.

Bouton	Métrique (Time signature)
PIANO 1	2 mouvements (2/4, 2/8...)
PIANO 2	3 mouvements (3/4, 3/8...)
E.PIANO 1	4 mouvements (4/4, 4/8...)
E.PIANO 2	6 mouvements (6/4, 6/8...)

- 1 Avec le métronome activé, enfoncez le bouton METRONOME et appuyez sur le bouton correspondant à la time signature désirée (voir tableau précédent). Le premier mouvement de la mesure sera accentué.
- 2 Pour couper l'accent, enfoncez le bouton METRONOME et appuyez sur le bouton de sélection des timbres dont le témoin est allumé.

**Note :** Lors de la mise hors tension de l'instrument, l'accent est automatiquement désactivé.

**Sélectionner une clochette pour l'accent.** Le battement accentué peut être remplacé par le son d'une clochette.

- 1 Avec le métronome activé, enfoncez le bouton METRONOME et appuyez sur le bouton de sélection des timbres VIBES/GUITAR. Le témoin de ce bouton s'allume et une clochette résonne sur le premier battement de la mesure.
- 2 Pour rétablir l'accent normal, enfoncez le bouton METRONOME et appuyez sur le bouton de sélection des timbres HARPSI/CLAV pour allumer le témoin du bouton HARPSI/CLAV.

---

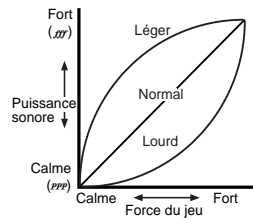
**Note :** Lors de la mise hors tension de l'instrument, la clochette est automatiquement désactivée.

---

Fonctions diverses

Réglage du toucher

Vous pouvez régler la sensibilité du clavier ou réponse au toucher. Maintenez enfoncé le bouton TOUCH et appuyez sur le bouton correspondant au réglage de dynamique souhaité.



Bouton	Toucher
PIANO 1/L	Léger. Les notes graves sont reproduites même en appliquant un toucher léger.
PIANO 2/M	Normal. Toucher normal d'un piano.
E.PIANO 1/H	Lourd. Les notes graves ne sont reproduites que si l'on joue très fort.

Pour vérifier le réglage en cours, enfoncez le bouton TOUCH et regardez lequel des témoins s'allume.

**Note :** Lors de la mise sous tension de l'instrument, le toucher est réglé à Normal.

Vous pouvez également utiliser le bouton TRANSPOSE/FUNCTION et le clavier. Enfoncez le bouton TRANSPOSE/FUNCTION et appuyez sur la touche du clavier correspondante au réglage désiré (voir tableau).

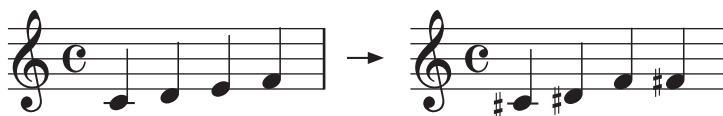


Bouton	Toucher
Si3	Léger. Les notes graves sont reproduites même en appliquant un toucher léger.
Do4	Normal. Toucher normal d'un piano.
Ré4	Lourd. Les notes graves ne sont reproduites que si l'on joue très fort.

## Fonction Transpose

Parfois, la clé d'écriture d'un morceau est particulièrement difficile (par ex. beaucoup de bémols) ou vous désirez modifier la hauteur pour insérer un autre instrument ou voix. Dans ce cas, vous pouvez transposer (décaler, modifier la hauteur) de manière à faciliter le jeu ou jouer avec une hauteur différente. C'est la fonction "Transpose".

Par exemple, si vous transposez les notes d'un demi-ton vers l'aiguë, lorsque vous jouerez les notes illustrées à gauche, elles seront reproduites à la hauteur représentée à droite.



**Note :** Lors de la mise sous tension de l'instrument, la transposition est réglée à ses valeurs d'usine.

- 1 Appuyez sur TRANSPOSE/FUNCTION. Sur le clavier, appuyez sur la touche correspondante à la transposition souhaitée (voir tableau). Le témoin de TRANSPOSE/FUNCTION reste allumé en indiquant que la fonction de transposition est activée.



Touche	Effet
Fa#6 — Si6	6 — 1 demi-tons plus graves
Do7	Accordage standard
Do#7 — Fa7	1 — 5 demi-tons plus aigus

- 2 Pour rétablir la hauteur standard, enfoncez le bouton TRANSPOSE/FUNCTION et appuyez sur la touche Do7. Le témoin de TRANSPOSE/FUNCTION s'éteint.

## Accordage fin

Pour adapter la hauteur de votre C-320 à celle d'un autre instrument, vous pouvez la régler par pas de 0.5 Hz, dans la plage La4 = 427.5 ~ 452.5 Hz. L'accordage standard correspond à La4 = 440 Hz.

**Note :** La hauteur est rétablie à l'accordage standard (La4 = 440 Hz) lors de la mise hors tension et de nouveau sous tension de l'instrument.

- 1 Appuyez sur TRANSPOSE/FUNCTION et appuyez sur la touche correspondante à la hauteur à modifier. Chaque fois que vous appuyez sur Si5 ou sur Do6, la hauteur augmentera ou diminuera de 0.5 Hz.
- 2 Pour rétablir l'accordage standard, maintenez enfoncé le bouton TRANSPOSE/FUNCTION et appuyez sur les deux touches Si5 et Do6 simultanément.



Touche	Accordage fin
Si5	Diminue la hauteur de 0.5 Hz
Si5+Do6	Hauteur normale (La4 = 440 Hz)
Do6	Augmente la hauteur de 0.5 Hz

## Sélectionner un tempérament

La plupart des compositions classiques utilisent des tempéraments différents du “tempérament égal” utilisé de nos jours. Afin de reproduire les timbres originaux de ces compositions, votre C-320 est doté des tempéraments classiques Kirnberger et Werckmeister, outre le tempérament égal. Il y a donc trois tempéraments à votre disposition.

Pour en sélectionner un, enfoncez le bouton TOUCH et ensuite appuyez sur le bouton correspondant au tempérament souhaité. Pour rétablir le tempérament égal, enfoncez le bouton TOUCH et appuyez sur le bouton de sélection des timbres dont le témoin est allumé.

Bouton	Tempérament
Les deux témoins éteints	Tempérament égal. C'est la gamme normalement utilisée de nos jours dans le monde occidental, caractérisée par un intervalle égal entre tous les 12 demi-tons.
HARPSI/CLAV	Werckmeister. C'est la gamme Werckmeister III inventée par Andreas Werckmeister, un organiste et théoricien musical allemand. Gamme du bas baroque/classique.
VIBES/GUITAR	Kirnberger. C'est la gamme Kirnberger III inventée par Johann Phillip Kirnberger au début du XVIII <sup>e</sup> siècle, pour clavecins.

Pour vérifier le tempérament en cours, maintenez enfoncé le bouton TOUCH et regardez lequel des témoins s'allume.

---

**Note :** L'instrument se prédispose automatiquement avec le tempérament égal sélectionné lors de la mise sous tension.

---

**Stretched Tuning (cordes “pincées”).** Afin de reproduire la résonance la plus naturelle, les timbres PIANO 1 et PIANO 2 utilisent la technique des “cordes pincées” : les notes graves seront légèrement plus altérées vers la grave que dans le tempérament égal, tandis que celles plus aiguës seront légèrement plus altérées vers l'aiguë. C'est ainsi que les accordeurs professionnels règlent normalement les pianos acoustiques.

## MIDI

### Le MIDI, qu'est-ce que c'est ?

MIDI est l'abréviation de Musical Instrument Digital Interface (interface numérique pour instruments musicaux). C'est un standard international conçu pour connecter et transférer des données entre instruments musicaux électroniques, ordinateurs et dispositifs divers.

### Que peut-on faire avec le MIDI ?

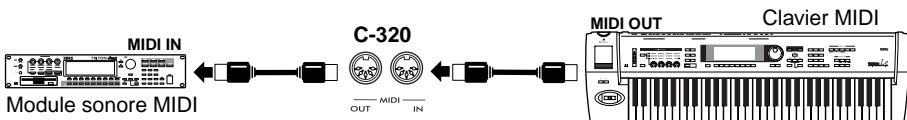
Le MIDI vous permet d'utiliser votre C-320 pour piloter d'autres instruments ou d'utiliser d'autres instruments pour piloter votre C-320, ainsi que d'utiliser un séquenceur pour composer des morceaux musicaux complexes.

Lorsque vous jouez sur le clavier de votre C-320, ou vous appuyez sur la pédale, ou vous sélectionnez un timbre, les notes, l'activation de la pédale et le changement de timbres sont transmis à l'instrument connecté ou enregistré par le séquenceur.

### Connexions

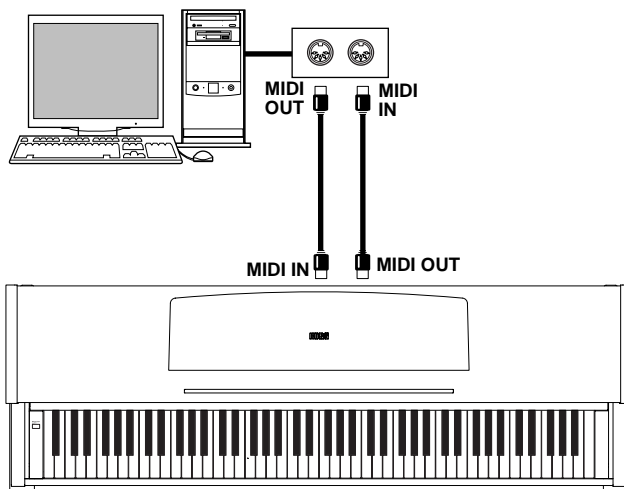
Il faut toujours connecter la borne MIDI OUT de l'instrument à la borne MIDI IN d'un autre instrument. Ne jamais connecter deux bornes du même instrument entre elles.

Connectez la borne MIDI OUT du dispositif transmetteur (master-maître) à la borne MIDI IN du dispositif récepteur (slave-esclave).





Pour connecter votre C-320 à un ordinateur, ce dernier doit être doté d'une interface MIDI, d'un logiciel de "sequencing" ou de notation musicale et de deux câbles MIDI standards. Connectez la borne MIDI OUT de votre C-320 à la borne MIDI IN de l'ordinateur. Connectez la borne MIDI IN de votre C-320 à la borne MIDI OUT de l'ordinateur.



## Réglages MIDI standards

Lors de la mise sous tension de l'instrument, les paramètres MIDI de votre C-320 sont réglés comme suit :

Paramètre	Réglage
Canal de transmission	1
Canaux de réception	Tous les 16 (1-16)*
Local	ON
Omni	OFF

(\*) Le canal 10 ne reçoit que les notes du métronome (Ré#5, Mi5)

## Sélectionner le canal de transmission

Le standard MIDI prévoit la transmission et la réception des données sur 16 canaux séparés. Votre C-320 reçoit sur les 16 canaux et transmet sur un seul canal. Pour transmettre des données depuis votre C-320, vous devez sélectionner le canal de transmission.

Maintenez enfoncé le bouton TRANSPOSE/FUNCTION et appuyez sur une touche, dans la plage de notes Do2–Ré#3, correspondante au canal MIDI souhaité.



Touche	Canal	Touche	Canal
Do2	1	Do#2	2
Ré2	3	Ré2	4
Mi2	5	Fa2	6
Fa#2	7	Sol2	8
Sol#2	9	La2	10
La#2	11	Si2	12
Do3	13	Do#3	14
Ré3	15	Ré#3	16

**Note :** lors de la mise sous tension, l’instrument se prédispose automatiquement avec le canal 1 sélectionné.

**Note :** D’usine, le canal 10 est automatiquement affecté au métronome (notes Ré#5–Mi5).

**Note :** En mode Layer, le second timbre est transmis sur le canal successif. Par exemple, si vous choisissez le canal 7, le premier timbre est transmis sur le canal 7, tandis que le second sur le canal 8. Si vous choisissez le canal 16, le second timbre est transmis sur le canal 1 (retour en cycle au premier canal).

## Utiliser le C-320 en tant que générateur de sons multimbres

Si le C-320 est piloté par un dispositif MIDI externe, il peut fonctionner en tant que générateur de sons à 16 parties. Vous pouvez sélectionner un timbre différent sur chacun des 16 canaux MIDI.

- 1 Utilisez un câble MIDI pour connecter la borne MIDI IN de votre C-320 à la borne MIDI OUT d’un séquenceur, etc.
- 2 Transmettez les données MIDI depuis le séquenceur connecté (ou autre dispositif). Voir les instructions détaillées relatives à la sélection d’un timbre via un message de Changement de Program dans le chapitre “Program Change” on page 73. La

réception de “Program Change” (changement de Program) doit être activée sur votre C-320 (valeur d’usine).

Voir le mode d’emploi du dispositif connecté pour des informations détaillées relativement à l’envoi des messages de Changement de Program (Program Change).

## Local On/Off

Local est un paramètre vous permettant de déterminer si le clavier doit jouer ses sons internes et transmettre simultanément les données MIDI (Local On) ou transmettre uniquement les données MIDI, sans jouer ses sons internes (Local Off).

Local Off est utile si votre C-320 doit fonctionner en tant que clavier étouffé et donc pour jouer d’un autre instrument. Ce paramètre peut être sélectionné même si le C-320 est connecté à un séquenceur via ses bornes MIDI IN et MIDI OUT. Ainsi, les notes ne seront pas jouées deux fois, c’est à dire par le clavier et par le séquenceur, car cela produit un ennuyeux effet d’“écho”.

Normalement, c’est Local On qui est automatiquement sélectionné lors de la mise sous tension de votre C-320 ; le clavier reproduit donc les sons.

Maintenez enfoncé le bouton TRANSPOSE/FUNCTION et appuyez sur le bouton de sélection des timbres [PIANO 1]. Le réglage de Local s’alterne de On à Off chaque fois que vous appuyez sur ce bouton.

Etat de Local	Etat du témoin de PIANO 1
Local On	Allumé
Local Off	Eteint

---

**Note :** Lors de la mise sous tension de l’instrument, le paramètre Local est automatiquement réglé à On.

---

## Program Change

Vous pouvez sélectionner les timbres de votre C-320 via MIDI, en envoyant un message de Program Change (Changement de Program) sur le canal auquel vous voulez affecter ce timbre. Le tableau liste les numéros de Program Change (numérotation de 0 à 29 ; si le dispositif qui transmet utilise la numérotation de 1 à 30, vous devez augmenter d’un la valeur du numéro).

**Transmission des messages de Program Change.** Vous pouvez envoyer un message de Program Change MIDI à un dispositif MIDI connecté à la borne MIDI OUT de votre C-320 MIDI OUT, pour changer ses timbres. Si vous sélectionnez

l'un des sons internes du C-320 en appuyant sur l'un des boutons de sélection des timbres, un numéro de Program Change MIDI sera transmis, comme indiqué dans le tableau.

**Réception des messages de Program Change.** Lorsque vous recevez un message de Program Change transmis par un dispositif externe, le son interne correspondant sera sélectionné sur votre C-320, comme indiqué dans le tableau. Uniquement les numéros de Program Change (PC) compris dans la plage 0–29 sont reconnus par le C-320, tandis que les autres numéros (30-127) sont ignorés.

PC#	Bouton	Banque	Timbre
0	PIANO 1	1	Grand Piano
1		2	Bright Piano
2		3	Mellow Piano
3	PIANO 2	1	Honky-Tonk
4		2	Detune Piano
5		3	E.Grand Piano
6	E.PIANO 1	1	Club E.Piano
7		2	Stage E.Piano
8		3	Thin E.Piano
9	E.PIANO 2	1	80's E.Piano
10		2	Digital E.Piano
11		3	Vintage E.Piano
12	HARPSI/CLAV	1	Harpsichord
13		2	Clav.
14		3	Wah Clav.
15	VIBES/GUITAR	1	Vibraphone
16		2	Marimba
17		3	Acoustic Guitar
18	ORGAN1	1	Jazz Organ 1
19		2	Jazz Organ 2
20		3	Jazz Organ 3
21	ORGAN2	1	Church Organ 1
22		2	Church Organ 2
23		3	Church Organ 3

PC#	Bouton	Banque	Timbre
24	STRINGS/PAD	1	Slow Strings
25		2	Warm Pad
26		3	Strings
27	CHOIR	1	Choir Hoo
28		2	Choir Doo
29		3	Choir Pad

**Activer/couper Program Change.** Pour transmettre et recevoir ce type de données, vous devez activer la transmission et la réception des messages de Program Change. Sinon, vous devez couper les données de Program Changes.

Maintenez enfoncé le bouton TRANSPOSE/FUNCTION et appuyez sur le bouton de sélection des timbres PIANO 2. Chaque fois que vous appuyez sur ce bouton, les messages de Program Change seront activés/coups.

Etat de Program Change	Etat du témoin de PIANO 2
Activé	Allumé
Coupé	Eteint

**Note :** Lors de la mise sous tension de l'instrument, les messages de Program Change sont activés sur tous les canaux MIDI.

## Control Change

Lorsque vous appuyez sur la pédale Damper, ou que vous réglez le balancement en mode Layer, ou que vous effectuez un réglage sur le tableau de commande, un message de Control Change (Changement de Contrôle) est envoyé au dispositif MIDI externe connecté. De même, votre C-320 reçoit les messages de Control Change transmis par un dispositif MIDI connecté à sa borne MIDI IN, qui pilote ainsi la pédale Damper, le réglage du volume et des réglages divers.

**Activer/couper les messages de Control Change.** Pour transmettre et recevoir ce type de données, vous devez activer la transmission et la réception des messages de Control Change. Sinon, vous devez couper les données de Control Change.

Maintenez enfoncé le bouton TRANSPOSE/FUNCTION et appuyez sur le bouton de sélection des timbres E.PIANO 1. Chaque fois que vous appuyez sur ce bouton, les messages de Control Change seront activés/coupés.

Etat de Control Change	Etat du témoin de E.PIANO 1
Activé	Allumé
Coupé	Eteint

**Note :** Lors de la mise sous tension de l'instrument, les messages de Control Change sont activés sur tous les canaux MIDI.

## MIDI Data Dump

Vous pouvez sauvegarder les réglages des timbres en cours (mode Single ou Layer) sur un dispositif MIDI externe de sauvegarde, tel un séquenceur ou un MIDI "data filer" (dispositif de stockage). Successivement, vous pourrez ainsi recharger sur votre C-320 ces données.

**Attention :** Pour éviter la perte de données, lire attentivement le mode d'emploi du MIDI "data filer". Le chargement de nouvelles données dans la mémoire du C-320 supprime toutes les données qui y sont sauvegardées.

**Astuce :** Pour éviter tout inconvénient, rappelez-vous de couper la réception des données en "System Exclusive" sur le dispositif connecté.

Le tableau suivant liste les données sauvegardées via la fonction Data Dump.

Catégorie	Données
Mode Single	Réglages des effets de Réverbération et de Chorus (état on/off, niveau d'envoi)
Mode Layer	Réglages du balancement des timbres, état on/off de la pédale Damper pour chaque timbre.

**Sauvegarder les données sur un "data filer".** Pour sauvegarder les données de votre C-320, procédez comme suit :

- 1 A l'aide d'un câble MIDI, connectez la borne MIDI OUT de votre C-320 à la borne MIDI IN du "data filer".
- 2 Prédisposez le "data filer" à la réception des données MIDI.

- 3 Sur le C-320, maintenez enfoncé le bouton TRANSPOSE/FUNCTION et appuyez sur le bouton de sélection des timbres VIBES/GUITAR. Les témoins des boutons TRANSPOSE/FUNCTION et VIBES/GUITAR clignotent, en indiquant ainsi que le C-320 est prêt au transfert de données.
- 4 Appuyez sur le bouton TOUCH. Le transfert de données commence et les réglages des timbres sont transmis au “data filer”.

Pendant l’opération de “data dump”, le C-320 est coupé et vous ne pouvez procéder à aucune autre opération. Lorsque le transfert de données est complété, le clavier se prédispose de nouveau à son fonctionnement normal.

Pour annuler une opération de transfert de données avant qu’elle ne commence, appuyez sur le bouton TRANSPOSE/FUNCTION ou VIBES/GUITAR.

**Charger des données sauvegardées sur un “data filer”.** Les données précédemment sauvegardées sur un “data filer” peuvent être rechargées sur votre C-320.

- 1 A l’aide d’un câble MIDI, connectez la borne MIDI IN de votre C-320 à la borne MIDI OUT du “data filer”.
- 2 Sur le C-320, maintenez enfoncé le bouton TRANSPOSE/FUNCTION et appuyez sur le bouton de sélection de timbres VIBES/GUITAR. Les témoins des boutons TRANSPOSE/FUNCTION et VIBES/GUITAR clignotent, en indiquant ainsi que le C-320 est prêt à la réception du transfert de données.
- 3 Prédisposez le “data filer” à retransmettre les réglages de timbres précédemment sauvegardés. Voir les informations détaillées relativement à la transmission de données sur le mode d’emploi du “data filer”.

Le C-320 reçoit les données.

Lorsque l’opération de “data dump” est terminée, votre C-320 se rétablit à l’état précédent à la réception des données.

Pendant l’opération de “data dump”, le C-320 est coupé et vous ne pouvez procéder à aucune autre opération. Lorsque la réception de données est complétée, le témoin du bouton TOUCH s’éteint et l’instrument se rétablit à son fonctionnement normal.

Pour annuler une opération de réception de données avant qu’elle ne commence, appuyez sur le bouton TRANSPOSE/FUNCTION ou VIBES/GUITAR.

.....

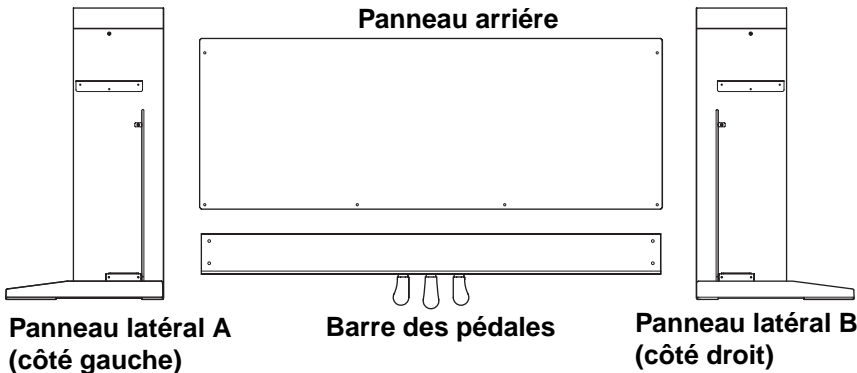
## Assembler le stand

### Précautions à adopter pendant les opérations d'assemblage

- Attention : ne vous coincez pas les mains sous le piano lorsque vous positionnez le stand.
- Vérifiez que les divers éléments sont assemblés dans la bonne position et correctement orientés ; suivez attentivement, et dans l'ordre exact, les opérations détaillées dans les instructions.
- Attention : ne placez pas des objets lourds sur la face avant du piano avant de n'avoir serré à fond les vis car le piano pourrait tomber.

### Instructions

- 1 Ouvrez le carton et prélevez toutes les pièces. Vérifiez que l'emballage contient bien toutes les pièces.



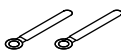


## Accessoires pour l'assemblage

Vis (a) (M6 x 20)  
...4 pièces



Serre-câble  
...2 pièces



Vis (b) (M4 x 14)  
...6 pièces



Écrous à ailettes  
...2 pièces



Capots  
...4 pièces

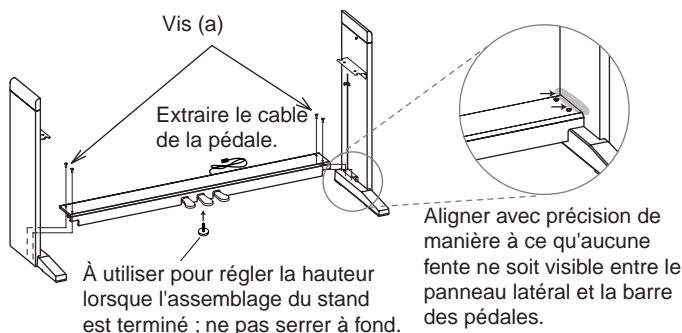


Vis d'ajustage  
...1 pièce

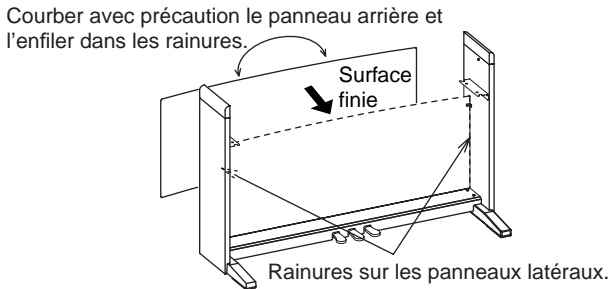


**NB** : Munissez-vous d'un tournevis cruciforme (Phillips #2) pour procéder à l'assemblage.

- 2 Vissez autant qu'elle s'enfonce la vis d'ajustement sur la barre des pédales et connectez le câble des pédales. Utilisez les vis (a) pour fixer les panneaux latéraux à la barre des pédales. Attention : les panneaux latéraux doivent être étroitement fixés à la barre des pédales ; aucune fente ne doit être visible.



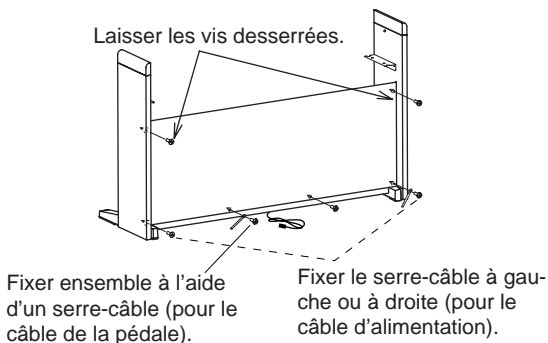
- 3 Prenez le panneau arrière et, avec la surface finie (type bois) en avant, courbez-le avec précaution et insérez-le dans les rainures prévues à cet effet sur les panneaux latéraux.



- 4 Utilisez les vis (b) pour fixer les panneaux latéraux.

Commencez par le bas du panneau arrière (quatre emplacements). Sur deux des emplacements, vissez la vis à travers un serre-câble de manière à fixer ce dernier sur le stand. Fixez le serre-câble soit à gauche, soit à droite, en fonction de la direction de la sortie de l'alimentation AC que vous utiliserez.

Ensuite, vissez la partie supérieure du panneau arrière (deux emplacements). Ne serrez pas à fond ces vis car vous devrez procéder à des ajustements par la suite, lorsque vous fixerez l'instrument au stand.



- 5 Vérifiez la stabilité du stand, ainsi que l'absence de toutes fentes ; vérifiez de même que toutes les vis sont serrées à fond, sauf bien sûr, celle que vous devez laisser desserrées.

## 6 Fixez l'instrument.

Positionnez les écrous à ailette qui font saillie des deux côtés internes des panneaux latéraux (droit et gauche) de manière à les aligner aux rainures métalliques de fixation présentes sur les extrémités droite et gauche de l'instrument et, avec beaucoup de précautions, insérez l'instrument sur le stand. Si l'instrument est correctement aligné, les écrous positionnés sur les côtés internes des panneaux latéraux s'insèrent solidement dans les rainures métalliques de fixation.

Ce passage est facilité si vous exercez une pression avec le corps sur le panneau latéral pendant que l'instrument s'enfile sur le stand.

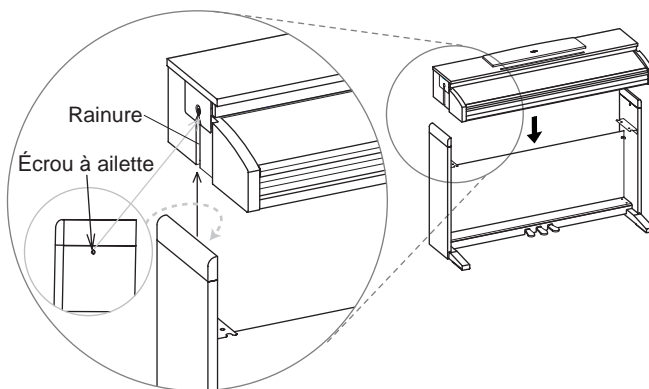
---

**Note :** Manipulez toujours avec beaucoup de précautions les extrémités droite et gauche de l'instrument lorsque vous l'enfilez sur le stand, en maintenant toujours l'instrument bien droit ; faites très attention à ne pas vous coincer les doigts ou les mains et à ne pas renverser l'instrument.

---

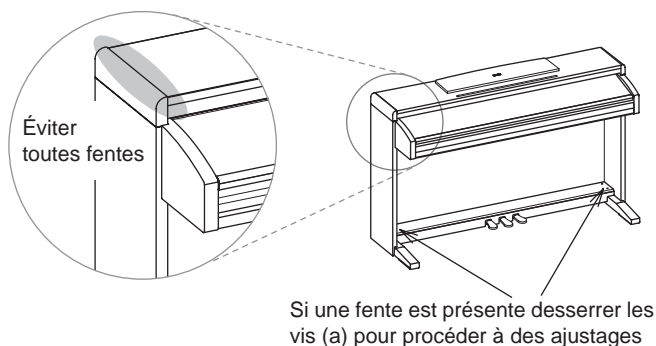
**Note :** Attention : les panneaux latéraux peuvent s'endommager ; procédez avec beaucoup de précautions.

---



- 7 Vérifiez attentivement qu'aucune fente n'est visible entre la surface de l'instrument et les panneaux latéraux.

Si vous voyez une fente, procédez à des ajustages en desserrant les vis (a) qui fixent le panneau latéral à la barre des pédales.



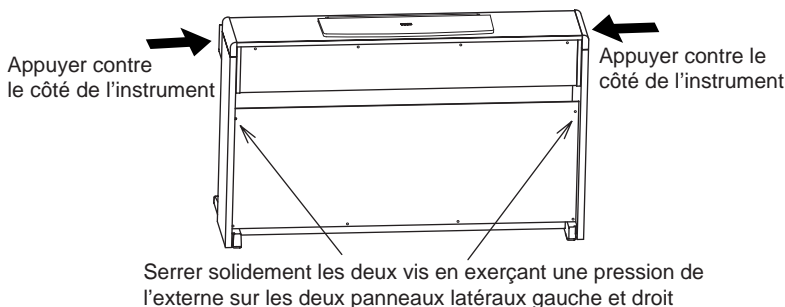
Si une fente importante est visible entre l'instrument et les panneaux latéraux, ou si vous avez déjà procédé à des ajustages pour éliminer cet inconvénient mais que la fente est toujours visible, probablement l'instrument n'est pas correctement positionné sur le stand. Si c'est le cas, enlevez l'instrument et remettez-le correctement sur le stand.

---

**Note :** Ne jamais soulever l'instrument d'un seul côté car cela peut endommager les fixations métalliques de l'instrument même. Vous devez toujours soulever ou abaisser en même temps les deux extrémités droite et gauche de l'instrument, en le maintenant bien droit.

---

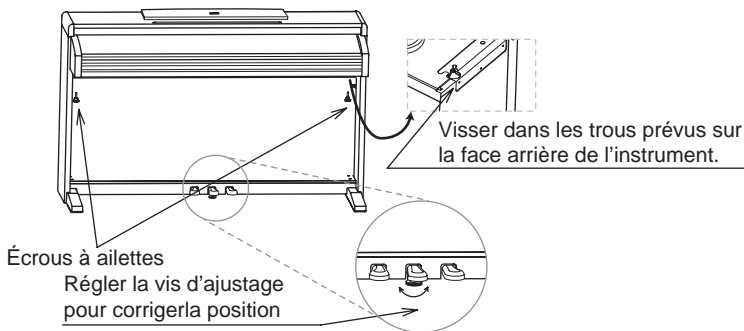
- 8 Appuyez sur les bords supérieurs du stand pour vérifier d'avoir bien serré les deux vis du panneau arrière que vous aviez laissées desserrées auparavant pour procéder à des éventuels ajustages.



- 9 Fixez les écrous de serrage en les enfilant sous l'instrument.

Ensuite desserrez la vis d'ajustement et ajustez-la jusqu'à ce qu'elle soit bien en contact avec le sol.

**Note :** Tant que la vis d'ajustement ne touche pas solidement le sol, la pédale bouge ; cela peut provoquer un mauvais fonctionnement de la pédale



Vérifiez que toutes les vis sont serrées à fond. Pour finir, positionnez les capots sur la tête des vis (a) de la barre des pédales.

- 10 Connectez le câble d'alimentation fourni à l'adaptateur AC.

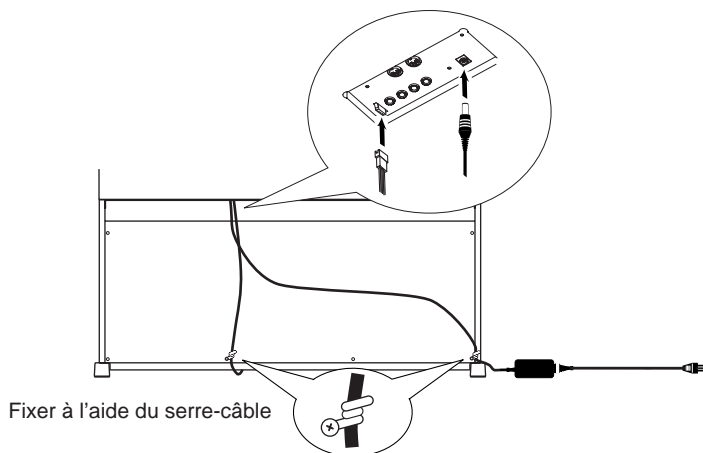


- 11 Connectez le câble du pédalier et la fiche DC de l'adaptateur AC sous l'instrument et utilisez le serre-câble pour fixer les câbles.

---

**Note :** Vérifiez l'orientation du connecteur lorsque vous connectez le câble du pédalier.

---



---

**Note :** Lorsque vous installez votre piano numérique dans les lieux où vous en jouerez, vérifiez que le stand ne piétine pas le câble de l'adaptateur AC.

---

## Tests à effectuer après l'assemblage

- [•] Vous avez des pièces en surplus ?

Si vous avez des pièces en surplus, vérifiez sur les diagrammes où elles doivent être installées.

- [•] Vérifiez attentivement que toutes les vis sont bien serrées.

## Précautions

**Précautions à adopter lorsque vous transportez votre instrument.** Enlevez le piano du stand et transportez-les séparément. Lorsque le transport a été effectué, reprenez ces instructions et assemblez de nouveau le piano et son stand.

**Perte de vis.** Après l'assemblage, il se peut que les vis et les écrous se desserrent au fur et à mesure que vous utilisez l'instrument ; ceci peut provoquer un manque de stabilité du stand. Si c'est le cas, serrez de nouveau les vis et les écrous.

**Démonter le stand.** Si vous devez déplacer votre piano, vous devez démonter le stand en procédant aux opérations de fixation du piano au stand et d'assemblage du stand dans l'ordre inverse. Lorsque le démontage a été effectué, mettez de côté toutes les vis, tous les écrous et toutes les pièces de manière à n'en perdre aucune.

## Appendice

### Problèmes et solutions

Si lors de l'utilisation vous détectez les problèmes décrits, examinez l'instrument pour comprendre le problème et essayez de le résoudre en recourant aux conseils proposés. Si l'instrument continue à ne pas fonctionner correctement, adressez-vous à votre revendeur de confiance ou au Centre d'Assistance Agréé Korg le plus proche.

Problème	Possible solution	Page
L'instrument ne s'active pas lors de la mise sous tension.	Vérifiez que l'adaptateur AC est correctement connecté au piano et à la prise secteur.	53
L'instrument n'émet aucun son.	(1) Contrôlez que le réglage du volume n'est pas à 0. Dans cette éventualité, réglez-le à un niveau approprié.	56
	(2) Vérifiez qu'aucun jack n'est inséré dans l'une des bornes PHONES car ceci coupe les haut-parleurs intégrés. Si c'est le cas, enlevez le jack.	54
	(3) Contrôlez que la fonction MIDI Local n'est pas réglée à OFF, sinon réglez-la à ON (ou mettre hors tension et de nouveau sous tension l'instrument).	73

### Polyphonie

Votre C-320 contient des sons échantillonnés, qui ont été enregistrés, analysés et traités à partir de sons actuels d'instruments musicaux originaux. Ces sons consistent généralement d'un ou de plusieurs échantillons différents reproduits en appuyant sur une touche. Chaque échantillon est reproduit par un oscillateur individuel. La polyphonie des sons qui n'utilisent qu'un seul oscillateur est totale, c'est à dire qu'elle est composée au maximum de 60 voix, tandis que la polyphonie des sons qui utilisent deux oscillateurs est limitée à 30 notes maximum. Plus les sons



utilisent d'oscillateurs, plus la polyphonie est limitée. Lorsque le nombre de notes excède la limite du son, certaines notes sont "stoppées" et les nouvelles notes ne sont pas reproduites.

Par conséquent, en jouant plus de deux notes en mode Layer, la polyphonie maximum dépend du nombre d'oscillateurs utilisés au total. Si en plus vous appliquez un REVERB ou un CHORUS, la polyphonie est ultérieurement réduite, respectivement de 10 et de 3 notes.

Voir les informations détaillées du nombre d'oscillateurs de chaque son dans le tableau à la page 59.

## Spécifications techniques

Spécifications	C-320
Clavier	88 notes lestées, sensibles à la dynamique du toucher, avec simulation de marteau (Korg RH3, "Real Weighted Hammer Action")
Réglage du toucher	Léger, Normal, Lourd
Accordage	Transposition, Accordage fin, Tempérament (Egal, Kirnberger, Werckmeister)
Génération de sons	Stereo PCM System
Polyphonie	60 notes (max). L'utilisation de timbres à 2 oscillateurs, du mode Layer et/ou des effets de réverbération ou chorus réduit le nombre maximum de notes jouées simultanément.
Timbres	30 timbres en ROM
Effets	Réverbération, Chorus (chacun avec 3 niveaux)
Démo	30 morceaux de démonstration incorporés
Métronome	Réglages du Tempo, de la Time signature (métrique), de l'Accent et du Volume
Pédales	Damper, Sostenuato, Soft (fournie). Mi-pédale supportée (Damper et Soft).
Connexions	Sorties Audio (OUTPUT L/MONO, R), Entrées Audio (INPUT L/MONO, R), 2 x Casques, MIDI (IN, OUT), Damper
Contrôles	Interrupteur, Master Volume, Reverb, Chorus, Touch, Transpose/Fonction, Bank, Sélecteurs de timbres, Tempo, Métronome, Démo
Amplification	2 amplificateurs de 25 Watts, 2 haut-parleurs de 13cm
Alimentation	Adaptateur externe, de AC100~240V, 50/60Hz, a DC18V, 3.3A (fourni)
Dimensions (L x P x H)	1396 x 462 x 869 mm (55.0" x 18.2" x 34.2"), avec le stand
Poids	50 kg (110 lbs), avec le stand
Accessoires (tous fournis)	Adaptateur AC ; Chaise ; Stand

*Sons élaborés avec INFINITY™.*

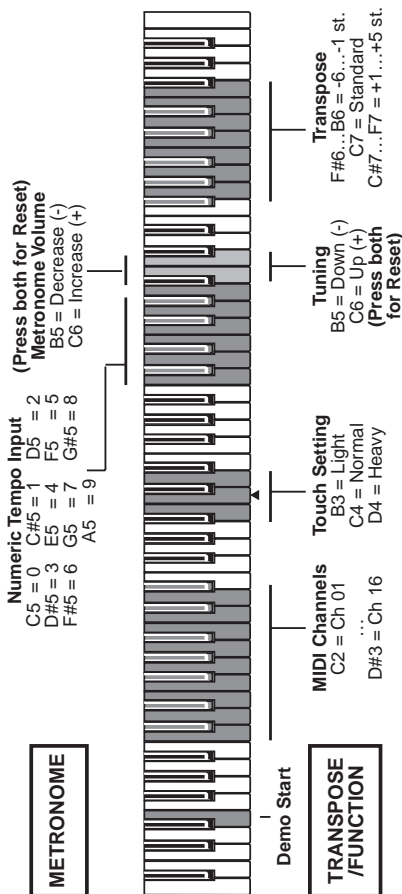
*Korg se réserve le droit de modifier les spécifications sans préavis.*

# Détails du tableau de commande

...peritriqevousappuyezsurcertain Maintenezce bouton enfoncé...	PIANO 1	PIANO2	E.PIANO 1	E.PIANO 2	HARPSI/CLAV	VIBES/GUITAR	ORGAN 1	ORGAN 2	STRINGS/PAD	CHOIR
REVERB	Prof = Grave	Prof = Moyen	Prof = Aigu							
CHORUS	Prof = Grave	Prof = Moyen	Prof = Aigu							
TOUCH	Léger	Normal	Lourd		Werckmeister	Kirnbeger				
METRONOME	Tempo: 2/4	Tempo: 3/4	Tempo: 4/4	Tempo: 6/4	Accent	Bell sound			Metro Vol. Dec.	Metro Vol. Inc.
TRANSPOSE/FUNCTION	Local On/Off	Prg.Change Rv/Tx	Ctrl.Change Rv/Tx			Data Dump				

## Tableau de commande et clavier

Le diagramme suivant indique les diverses fonctions accessibles en maintenant enfoncé le bouton METRONOME ou TRANSPOSE/FUNCTION et en appuyant sur l'une des touches du clavier.





# KORG

## *CONCERT*

### *C-320*

# *Bedienungsanleitung*

## VORSICHTSMASSNAHMEN

### Aufstellungsort

Bei Benutzung des Instruments an folgenden Orten kann es zu Funktionsstörungen kommen.

- In direktem Sonnenlicht
- bei hohen Temperaturen oder hoher Luftfeuchtigkeit
- in sehr staubigen oder schmutzigen Räumen
- bei starken Vibrationen

### Stromversorgung

Schließen Sie den Wechselstromstecker des Instruments an eine WS-Steckdose mit der richtigen Spannung an. Schließen Sie das Instrument keinesfalls an eine WS-Steckdose mit einer anderen als der angegebenen Spannung an.

### Interferenzen mit anderen elektrischen Geräten

Das Instrument ist mit einem Computer ausgestattet. In der Nähe des Instruments befindliche Radio- und Fernsehgeräte können Empfangsstörungen erleiden. Stellen Sie das Instrument deshalb in einem gewissen Abstand von diesen Geräten auf.

### Handhabung

Zur Vermeidung von Beschädigungen sind Schalter und Regler des Instruments ohne übertriebenen Kraftaufwand zu bedienen.

### Pflege

Wenn die Außenseite des Instruments schmutzig ist, wischen Sie sie mit einem trockenen, sauberen Tuch ab. Verwenden Sie weder Flüssigreiniger wie Benzin oder Verdünner, noch Reinigungs- oder brennbare Poliermittel.

### Aufbewahrung des Handbuchs

Nach Durchlesen des Handbuchs ist dieses sorgfältig aufzubewahren, um jederzeit eingesehen werden zu können.

### Vermeidung von Fremdkörpern im Instrument

- Stellen Sie keine Behältnisse mit Flüssigkeiten auf dem Instrument ab. Eindringende Flüssigkeiten können einen Geräteausfall, Brand oder Stromschlag verursachen.
- Achten Sie darauf, dass keine Metallgegenstände ins Innere des Instruments geraten. Sollte dies dennoch einmal geschehen, ziehen Sie sofort den Stecker aus der Steckdose und wenden Sie sich an Ihren Korg Händler, bei dem Sie das Instrument gekauft haben.

### CE-ZEICHEN ZUR VEREINHEITLICHUNG DER EUROPÄISCHEN STANDARDS

Das bis 31. Dezember 1996 vergebene CE-Zeichen, das unsere mit Wechselstrom betriebenen Produkte tragen, zeigt an, dass diese Instrumente der EMC Richtlinie (89/336/EWG) und der CE-Zeichen-Richtlinie (93/68/EEC) entsprechen.

Das nach dem 1. Januar 1997 vergebene CE-Zeichen zeigt an, dass die Instrumente der EMC Richtlinie (89/336/EEC), der CE-Zeichen-Richtlinie (93/68/EEC) und der Niederspannungsrichtlinie (73/23/EEC) entsprechen

Das CE-Zeichen auf unserern batteriegespeisten Instrumenten zeigt an, dass diese der EMC Richtlinie (89/336/EEC) und der CE-Zeichen-Richtlinie (93/68/EEC) entsprechen.

### HAFTUNGSAUSSCHLUSS

Die im vorliegenden Handbuch enthaltenen Informationen wurden mit großer Sorgfalt geprüft und überarbeitet. Aufgrund des Bemühens, unsere Produkte ständig zu verbessern, können die technischen Daten jedoch von den Beschreibungen des Handbuchs abweichen. Korg ist nicht verantwortlich für eventuelle Abweichungen zwischen den technischen Daten und den im Handbuch enthaltenen Beschreibungen. Technische Daten können jederzeit ohne Vorankündigung geändert werden.

## **HAFTUNG**

Alle KORG Produkte werden entsprechend den in den verschiedenen Ländern geltenden Spezifikationen und erforderlichen Spannungen hergestellt. Sie unterliegen den Garantiebestimmungen der KORG Vertriebsfirmen in den einzelnen Ländern. KORG Produkte, die ohne Garantiekarte und Seriennummer verkauft wurden, sind von Garantieleistungen und Haftungsansprüchen durch den Hersteller/Händler ausgeschlossen. Diese Vorschrift dient zu Ihrer eigenen Sicherheit.

## **SERVICE UND KUNDENDIENSTLEISTUNGEN FÜR MUSIKER**

Wenden Sie sich zwecks Kundendienstleistungen bitte an das nächste KORG Kundendienstzentrum. Ausführliche Informationen über KORG Produkte sowie über Software und Zubehör für Ihr Klavier erhalten Sie bei Ihrem KORG Händler.

## **KORG IM INTERNET**

Home page Korg Deutschland.: [www.korg.de](http://www.korg.de)

Home page Korg Inc.: [www.korg.co.jp](http://www.korg.co.jp)

Home page Korg USA: [www.korg.com](http://www.korg.com)

## **DATEN-RESET**

Wenn das Instrument ausgeschaltet wird, werden alle Parameter zurückgesetzt.

# INHALTSVERZEICHNIS

-----

Einführung	95
Hauptfunktionen	95
1 Paneele	97
Vorderseite	97
Rückseite	99
2 Bevor Sie beginnen	100
Anschluss an einen externen Verstärker	100
Verwendung der Kopfhörer	100
Öffnen der Tastenklappe	101
Einschalten des Instruments	101
Verwendung des Notenpultes	102
Lautstärke einstellen	102
Demos abspielen	102
3 Basisfunktionen	105
Mit nur einem Klang spielen (Single-Modus)	105
Mit zwei Klängen gleichzeitig spielen (Layer Modus)	105
Hall- und Chorus-Effekt wählen	106
Verwendung der Pedale	107
Pedaleinstellungen für den 'Layer'-Modus	108
Das Metronom	108
4 Weitere Funktionen	111
Einstellung des Anschlags	111
Transponierung	112
Feinstimmung	113
Temperierung selektieren	113
5 MIDI	115
Was ist MIDI?	115
Was leistet MIDI?	115
Anschlüsse	115
Standard MIDI Einstellungen	116
Übertragungskanal selektieren	116
C-320 als multitimbraler Tongenerator	117
Local On/Off	118
Program Change	118
Control Change	120
MIDI Data Dump	121
6 Zusammenbau der Ständereinheit	123
Vorsicht beim Zusammenbau	123
Zusammenbauverfahren	123
Kontrolle nach dem Zusammenbau	129
Vorsicht	129
7 Anhang	131
Fehlerbeseitigung	131
Polyphonie	131
Technische Daten	133
Bedienfeld-Kurzbefehle	134
Bedienfeld und Tastatur	134
MIDI Implementation Chart	178



# Einführung

## Hauptfunktionen

**Großer Klangbereich.** Dreißig verschiedene, ausdrucksstarke Hochqualitätsklänge einschließlich ein Stereo-Konzertflügelklang. Sie können die Layer Funktion zum gleichzeitigen Spielen von zwei Klängen nutzen.

**Effekte.** Das C-320 enthält digitale Effekte, die die Klangeigenschaften einer Konzerthalle (Reverb) nachahmen und den Klang voller machen (Chorus).

**Pedalfunktionen.** Das C-320 ist mit den gleichen Pedalen wie ein Flügel ausgestattet: Leise, Sostenuto und Dämpfer. Das Dämpferpedal hat die gleiche Funktion wie das Fortepedal eines Klaviers: Es dient zum Halten der Noten und simuliert die reichhaltigeren Saitenschwingungen. Sowohl das Dämpfer- als auch das Leisepedal dieses Instruments arbeiten stufenlos (was man hier und da „Halbpedal“ nennt).

**Metronom.** Beim eingebauten Metronom können Sie die Taktunterteilung, das Tempo und die Lautstärke einstellen und darüber hinaus einen Glockenton zur Akzentuierung einsetzen.

**Anschlagsteuerung.** Sie können drei verschiedene Einstellungen wählen, mit denen Sie festlegen, wie der Klang sich mit der Anschlagstärke verändern soll.

**Temperierungen.** Neben der wohltemperierten Stimmung besitzt das C-320 zwei weitere klassische Stimmungen (Kirnberger und Werckmeister) zur historisch korrekten Wiedergabe klassischer Stücke. Wenn Sie einen akustischen Klavierklang wählen, wird automatisch die typisch gedehnte Temperierung selektiert.

**Einstellbare Tonhöhe.** Die Transpose Funktion ermöglicht es, die Tonhöhe des Klaviers zu ändern, während die Pitch Control Funktion zur Feinabstimmung dient.

**MIDI-Funktionen.** Das C-320 unterstützt das MIDI Protokoll, ein Standard, mit welchem Musikdaten zwischen Musikinstrumenten und Computern ausgetauscht werden können Mit

MIDI können zwei oder mehr Instrumente gesteuert werden oder zur Steuerung eingesetzt werden; das C-320 kann als 16-Part multitimbraler Tongenerator eingesetzt werden.

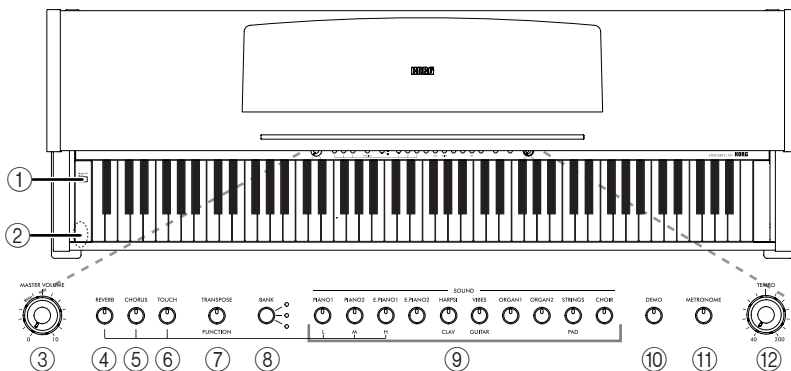
**Leistungsstarke integrierte Verstärkeranlage.** Das C-320 besitzt einen leistungsstarken, 25 Watt Verstärker mit zwei 13cm Lautsprechern.

**Zwei Kopfhörerpaare.** Sie können zwei Stereokopfhörer anschließen, um zusammen mit Ihrem Lehrer oder einem anderen Musiker zu spielen.

## -----

# Paneele

### Vorderseite

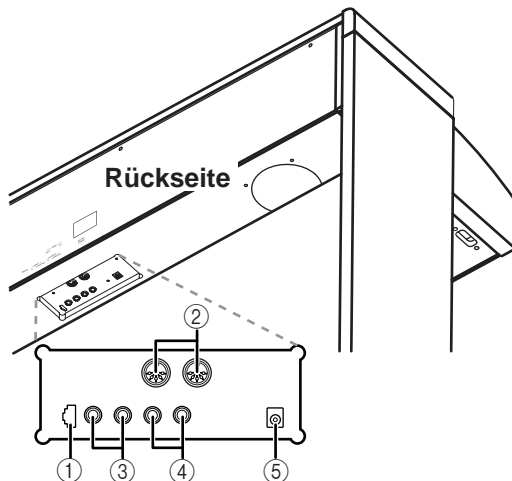


- 1 **POWER Schalter:** Dient zum Ein- und Ausschalten des Instruments.
- 2 **PHONES Buchsen:** Schließen Sie an diese Buchsen ein oder zwei Paar Kopfhörer an. Die eingebauten Lautsprecher werden ausgeschaltet.
- 3 **MASTER VOLUME-Regler:** Regelt die Lautstärke an den Ausgängen und Kopfhörerbuchsen.
- 4 **REVERB-Taster:** Schaltet den Halleffekt ein oder aus. Verleiht dem Klang einen Raumeffekt.
- 5 **CHORUS-Taster:** Schaltet den Choruseffekt ein oder aus. Damit erhält der Klang mehr Fülle.
- 6 **TOUCH-Taster:** Dient zur Einstellung der Anschlagdynamik.
- 7 **TRANSPOSE/FUNCTION-Taster:** Multifunktionstaste zur Änderung der Transponier- und Feinstimmungsfunktionen, zur Programmierung der MIDI-Parameter sowie zur Ausführung weiterer Einstellungen.

**Anmerkung:** Wenn das Instrument ausgeschaltet wird, werden alle Parameter wieder zurückgesetzt.

- 8 BANK-Taster:** Selektiert eine der 3 verfügbaren Klangbänke.
- 9 SOUND SELECTION-Taster:** Drücken Sie einen Taster zur Selektion eines Klangs (Single Modus). Sie können auch zwei Taster gleichzeitig drücken, wenn Sie zwei Klänge zur selben Zeit auf der Tastatur spielen wollen (Layer Modus).
- 0 DEMO-Taster:** Schaltet den Demo Modus zum Abspielen der Demo Songs ein oder aus. Selektieren Sie den gewünschten Song mit den Sound Selection-Tastern (siehe Nummer 7 oben).
- A METRONOME-Taster:** Schaltet das Ticken des Metronoms ein oder aus.
- B TEMPO- Regler:** Dient zur Regelung des Metronom Tempos.

## Rückseite



- 1 **DAMPER Buchse:** Schließen Sie hier die beiliegenden Pedale an.
- 2 **MIDI (IN, OUT) Buchsen:** Buchsen für den Anschluss anderer MIDI Geräte (Sequencer, Keyboards usw.). OUT: Datenausgang (muss an die MIDI IN Buchse des anderen MIDI Geräts angeschlossen werden). IN: Dateneingang (muss an die MIDI OUT Buchse des anderen MIDI Geräts angeschlossen werden).
- 3 **INPUT-Buchsen (L/MONO, R):** Audio-Eingänge. Verbinden Sie diese Buchsen mit einer externen Signalquelle (z.B. einem CD-Spieler, einem Kassettendeck, einem Mischpult oder einem anderen Tasteninstrument).

---

**Vorsicht:** Schließen Sie hier niemals die Ausgänge einer Endstufe an!

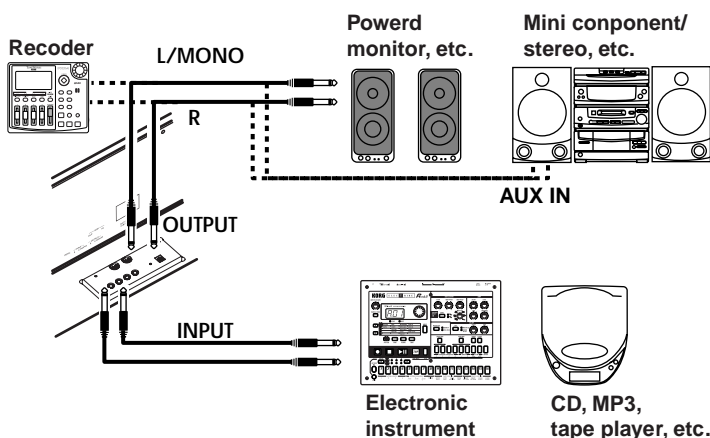
---

- 4 **OUTPUT (L/MONO, R) Buchsen:** Audio-Ausgänge. Schließen Sie an diese Buchsen eine externe Verstärkeranlage an. (Für HiFi-Systeme ist nicht die PHONE-Buchse, sondern die AUX oder TAPE Buchsen zu verwenden). Zur Mono-Verstärkung des C-320 ist die Einzelbuchse L/MONO zu benutzen. Mit dem MASTER VOLUME-Regler können Sie die Lautstärke einstellen.
- 5 **AC ADAPTER-Buchse:** Schließen Sie den mitgelieferten Wechselstrom-Adapter an diese Buchse an.

## Bevor Sie beginnen

### Anschluss an einen externen Verstärker

Zur Verstärkung schließen Sie die OUTPUT Ausgänge Ihres C-320 an einen hochwertigen Mixer, eine Stereo-HiFi-Anlage oder aktive Bühnenlautsprecher an. Wenn Sie ein Stereo-HiFi benutzen, schließen Sie die OUTPUT Ausgänge an die AUX oder TAPE Eingänge an (benutzen Sie keinesfalls die PHONO Eingänge). Zur Mono-Verstärkung sind nur die L/MONO Ausgänge anzuschließen.



### Verwendung der Kopfhörer

Wenn Sie zu späten Stunden spielen oder üben wollen oder wenn Sie von anderen, im Raum anwesenden Personen nicht gehört werden wollen, schließen Sie ein oder zwei Paar hochwertige Qualitätskopfhörer (empfohlen wird eine Impedanz von  $32\Omega$ ) an die entsprechenden Buchsen an. Es handelt sich um 1/4" Standard-Kopfhörerbuchsen. Wenn Sie Kopfhörer mit Minibuchsen-Adapter besitzen, ziehen Sie den Adapter ab, wenn Sie diese Kopfhörer ein- oder ausstecken.

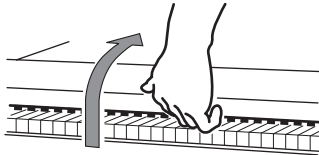
---

**Warnung:** Wenn Sie Kopfhörer benutzen, sollten Sie sich nicht zu lange hohen Lautstärken aussetzen.

---

## Öffnen der Tastenklappe

Heben Sie die Mitte der Tastenklappe (siehe den Schlitz) leicht an und schieben Sie die Klappe vollständig zur Rückseite des C-320.



Um die Tastenklappe wieder zu schließen, müssen Sie sie wiederum leicht anheben und zu sich hin ziehen.

---

**Anmerkung:** Seien Sie vorsichtig, um sich beim Öffnen oder Schließen der Klappe nicht die Finger zu klemmen.

---

---

**Anmerkung:** Wenden Sie beim Öffnen/Schließen der Klappe niemals Gewalt an, um sie nicht zu beschädigen.

---

---

**Anmerkung:** Überzeugen Sie sich vor Öffnen der Tastenklappe, dass keine Gegenstände (Blätter, Münzen usw.) darauf liegen. Diese könnten nämlich ins Instrument rutschen.

---

## Einschalten des Instruments

Verbinden Sie das Gleichstromkabel mit dem beiliegenden AC-Netzteil und dem DC-Eingang des C-320. Schließen Sie das Netzteil danach an eine Steckdose an.

Drücken Sie nach Herstellen des Netzanschlusses den POWER-Taster. Die Taster des Bedienfeldes leuchten beim Einschalten. Drücken Sie den POWER-Taster erneut, um das Instrument wieder auszuschalten.

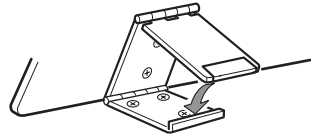
---

**Anmerkung:** Beim Einschalten werden alle Funktionen auf die Werksvorgaben zurückgestellt.

---

## Verwendung des Notenpultes

Stellen Sie das Notenpult aufrecht und klappen Sie die beiden Stützfüße aus, damit das Pult stehen bleibt.



---

**Anmerkung:** Halten Sie den TRANSPOSE/FUNCTION-Taster gedrückt, während Sie die Taste E1 betätigen. Nun beginnt die Wiedergabe aller Demosongs.

---

## Lautstärke einstellen

Schieben Sie den MASTER VOLUME-Regler nach rechts, um die Lautstärke zu erhöhen bzw. nach links, um die Lautstärke zu vermindern. Der Maximalwert beträgt "10", der Minimalwert (stumm) "0". Mit diesem Regler wird der Ausgangspegel der Kopfhörer, der internen Lautsprecher und der OUTPUT Ausgänge eingestellt.

---

**Anmerkung:** Es empfiehlt sich, bei geringer Lautstärke zu beginnen und diese dann allmählich zu erhöhen.

---

## Demos abspielen

Das C-320 enthält 30 werkseitig aufgenommene Demosongs. Spielen Sie die Songs ab, um einen Eindruck von der Klangfülle und den Ausdrucksmöglichkeiten Ihres Instruments zu erhalten.

**Alle Songs auf einmal abspielen.** Mit einem einfachen Befehl können Sie alle Demosongs hintereinander abspielen.

- 1 Drücken Sie den DEMO-Taster (oder halten Sie den TRANSPOSE/FUNCTION-Taster gedrückt und drücken Sie gleichzeitig die Notentaste E1). Die LEDs der Klangauswahltaster blinken nacheinander von links nach rechts. Nach wenigen Sekunden beginnt die Wiedergabe. Nach dem letzten Song wird erneut der erste Song abgespielt.
- 2 Während der Wiedergabe können Sie einen Klangauswahltaster drücken, um nur die Wiedergabe der zehn in der aktuellen Bank vorhandenen Demosongs zu wiederholen. (Es gibt drei Bänke mit je zehn Demosongs: 1-10, 11-20, 21-30). Wenn Sie beispielsweise den CHOIR-Taster drücken, während Song Nummer 1 abgespielt wird, wird sofort darauf Song Nummer 10 gespielt und die Wiedergabe erfolgt zyklisch von Nummer 1 bis Nummer 10.



- 3 Drücken Sie nochmals den DEMO-Taster, um die Wiedergabe zu unterbrechen und den Demo Modus zu verlassen.

**Einen bestimmten Song abspielen.** Sie können auch einen ganz bestimmten Song wählen, den Sie abspielen möchten.

- 1 Hierzu müssen Sie zuerst eine der drei Demosong Bänke wählen.
- Zur Selektion der ersten Bank (1-10) drücken Sie einmal den DEMO-Taster. Daraufhin blinken die LEDs hintereinander von links nach rechts.
  - Zur Selektion der zweiten Bank (11-20) drücken Sie den DEMO-Taster ein zweites Mal. Nun blinken alle LEDs gleichzeitig.
  - Zur Selektion der dritten Bank (21-30) drücken Sie den DEMO-Taster ein drittes Mal. Nun blinken abwechselnd die nebeneinander liegenden LEDs.
- 2 Drücken Sie einen der Klangauswahl-taster zur Selektion des gewünschten Song in der gewählten Bank. Die LED des selektierten Demosong leuchtet, während sich die übrigen LEDs ausschalten.  
Nach Beendigung der Wiedergabe des selektierten Song werden alle übrigen Songs der selektierten Bank zyklisch abgespielt.

Taster	Bank 1 (1-10)	Bank 2 (11-20)	Bank 3 (21-30)
PIANO 1	F. Mendelssohn-Bartholdy: Prelude Op.104a, no.2	Korg Original (M. Tempia): Reflection	C.A. Debussy: Arabesque no.1
PIANO 2	F. Chopin: Nocturne Op.9, no.2	S. Joplin: The Entertainer	J.S. Bach: Two-voice invention no.13
E.PIANO 1	C.A. Debussy: Clair de lune	Korg Original (M. Tempia): Jumper	F. Chopin: Fantasie-Impromptu Op.66
E.PIANO 2	Korg Original (M. Tempia): Lullaby for a Little Star	Korg Original (M. Tempia): All the Ones You Don't Know	J.S. Bach: Prelude in C major (from Das Wohltemperierte Klavier)
HARPSI /CLAV	L. van Beethoven: Für Elise	J.S. Bach: Italian Concert	Korg Original (M. Tempia): Rubber Bob
VIBES /GUITAR	F. Chopin: Etude Op.10, no.3	Korg Original (M. Tempia): Jazz in Spain	R. Schumann: Trauerrei, Op.15, no.7
ORGAN 1	W.A. Mozart: A la turque (from the Sonata in A-major K.331)	Korg Original (M. Tempia): Cool "B"	F. Mendelssohn-Bartholdy: Spring Song, Op.62, no.6
ORGAN 2	F. Chopin: Valse no.6 in D <sub>♭</sub> -major Op.64, no.1	F. Mendelssohn-Bartholdy: Wedding March	Korg Original (M. Tempia): Sunflowers

Taster	Bank 1 (1-10)	Bank 2 (11-20)	Bank 3 (21-30)
STRINGS /PAD	Korg Original (M. Tem-pia): Old Feather Blues	J.S. Bach: Air on the G string	P.D. Paradisi: Toccata in A major
CHOIR	Korg Original (M. Tem-pia): Noise of time	Korg Original (M. Tem-pia): Voice Texture	Korg Original (M. Tem-pia): Wet Raccoon Rag

- 3 Drücken Sie den DEMO-Taster, um die Wiedergabe zu unterbrechen und den Demo Modus zu verlassen.

---

**Anmerkung:** Während der Wiedergabe der Demosongs ist es nicht möglich, die Klangauswahl-taster zur Auswahl der Klänge sowie die Taster REVERB und CHOIRUS zu betätigen.

---

**Regelung des Tempo der Demosongs.** Wenn Sie das Tempo des selektierten Demosong ändern wollen, betätigen Sie den TEMPO-Regler. Normalerweise entspricht das Tempo des Demosong nicht den Markierungen des TEMPO-Reglers.

---

**Anmerkung:** Während der Wiedergabe der Demosongs kann das Metronom nicht eingesetzt werden.

---



---

**Anmerkung:** Bei Selektion eines Demosongs wird dessen ursprüngliches Tempo aufgerufen.

---

## Basisfunktionen

### Mit nur einem Klang spielen (Single-Modus)

Sie können einen der dreißig im Instrument enthaltenen Klänge auswählen.

- 1 Drücken Sie einen der Klangauswahltaster, um einen Klang zu selektieren. Die LED des Tasters schaltet sich ein.
- 2 Mit dem BANK-Taster selektieren Sie eine der drei verfügbaren Bänke (1-10, 11-20, 21-30). Bei einmaligen Drücken wird Bank 2, beim zweiten Drücken Bank 3 und beim dritten Drücken erneut Bank 1 selektiert.

Taster	Bank 1	#	Bank 2	#	Bank 3	#
PIANO 1	Grand Piano	2	Bright Piano	2	Mellow Piano	2
PIANO 2	Honky-Tonk	2	Detune Piano	2	E.Grand Piano	1
E.PIANO 1	Club E.Piano	2	Stage E.Piano	1	Thin E.Piano	2
E.PIANO 2	80's E. Piano	2	Digital E.Piano	1	Vintage E. Piano	1
HARPSI/CLAV	Harpsichord	1	Clav.	1	Wah Clav.	1
VIBES/GUITAR	Vibraphone	1	Marimba	1	Acoustic Guitar	1
ORGAN 1	Jazz Organ 1	2	Jazz Organ 2	2	Jazz Organ 3	2
ORGAN 2	Church Organ 1	3	Church Organ 2	1	Church Organ 3	1
STRINGS/PAD	Slow Strings	2	Warm Pad	2	Strings	1
CHOIR	Choir Hoo	1	Choir Doo	2	Choir Pad	2

(#) In diesen Spalten ist die Anzahl der Oszillatoren pro Stimme angegeben, die von den einzelnen Klängen benutzt werden.

### Mit zwei Klängen gleichzeitig spielen (Layer Modus)

Sie können mit zwei Klängen gleichzeitig auf der Tastatur spielen. Diese Spielweise wird Layer Modus genannt.

---

**Anmerkung:** Wenn Sie den Layer Modus selektieren, ist die Anzahl der Stimmen, die gleichzeitig spielen können, herabgesetzt. Dies hängt von der Gesamtzahl der vom selektierten Klang benutzten Oszillatoren ab.

---

**Anmerkung:** Es ist nicht möglich, zwei Klänge zu selektieren, die vom gleichen Taster angesteuert werden.

---

- 1 Drücken Sie einen der Klangauswahltaster, um den ersten Klang zu selektieren. Die LED des gedrückten Tasters schaltet sich ein. Benutzen Sie den BANK-Taster, um einen Klang in einer anderen Bank zu selektieren.
- 2 Drücken Sie einen anderen Klangauswahltaster, um den zweiten Klang zu selektieren. Die LED des gedrückten Tasters schaltet sich ein. Benutzen Sie den BANK-Taster, um einen Klang in einer anderen Bank zu selektieren.
- 3 Drücken Sie beide Taster gleichzeitig, um die Klänge zu selektieren. Beide LEDs schalten sich ein.

---

**Anmerkung:** Die Schritte 1 und 2 sind nicht erforderlich, wenn bereits die richtige Bank selektiert ist.

---

**Zum Single Modus zurückkehren.** Um zum Single Modus zurückzukehren, drücken Sie einfach einen beliebigen Klangauswahltaster.

**Lautstärke der Klänge im Layer Modus regeln.** Um die Lautstärke der Klänge im Layer Modus untereinander abzustimmen, halten Sie den Taster des Klanges gedrückt, dessen Lautstärke Sie vermindern wollen und drücken Sie mehrmals den Taster des Klanges, der lauter erklingen soll.

---

**Anmerkung:** Diese Einstellung bleibt auch nach Ausschalten des Layer Modus gespeichert, wird bei Ausschalten des Instruments jedoch gelöscht. Wenn Sie diese Einstellungen erhalten wollen, müssen sie mit der Data Dump Funktion gespeichert werden (siehe "MIDI Data Dump" auf S. 121).

---

## Hall- und Chorus-Effekt wählen

Das C-320 besitzt zwei Effekte: Hall und Chorus. Der Halleffekt ahmt die Klangeigenschaften eines Raumes nach, während Chorus einen Modulationseffekt nachahmt, der den Klang voller macht. Diese Effekteinstellungen bleiben auch dann erhalten, wenn ein anderer Klang selektiert wird.

---

**Anmerkung:** Effekteinstellungen, die im Single Modus vorgenommen werden, bleiben auch im Layer Modus erhalten. Änderungen, die im Layer Modus vorgenommen werden, werden jedoch nicht gespeichert.

Wenn das Instrument ausgeschaltet wird, werden die Effekte wieder auf die werkseitigen Einstellungen zurückgesetzt. To save the Single mode settings, mit der Data Dump Funktion speichern (siehe “MIDI Data Dump” auf S. 121).

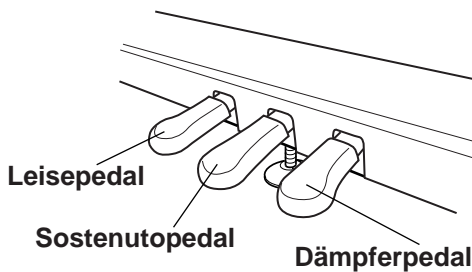
- 1 Halten Sie den Taster REVERB oder CHORUS gedrückt und drücken Sie gleichzeitig einen der Klanguauswahl-taster PIANO 1/L, PIANO 2/M oder E.PIANO1/H, um die Intensität des Hall- oder Chorus-Effekts einzustellen.

Taster	Hall-Intensität	Chorus-Intensität
PIANO 1/L	Leichter Hall	Leichter Chorus
PIANO 2/M	Normaler Hall	Normaler Chorus
E.PIANO 1/H	Starker Hall	Starker Chorus

- 2 Zur Überprüfung der Intensität des selektierten Hall- oder Chorus-Effekts, halten Sie den REVERB- oder CHORUS-Taster gedrückt, um zu sehen, welche der oben genannten LEDs eingeschaltet ist.
- 3 Zum Ausschalten des Hall- oder Chorus-Effekts drücken Sie den REVERB- oder CHORUS-Taster. Die LED des Tasters schaltet sich aus.

## Verwendung der Pedale

Das C-320 bietet drei Pedale: Leise, Sostenuito und Dämpfer. Diese Pedale verhalten sich genau wie ihre Pendanten auf einem Flügel und erlauben demnach ein expressiveres Spiel.



**Leisepedal.** Hiermit erzielen Sie einen leiseren und runderen Klang. Das Pedal arbeitet stufenlos, so dass sich die Effektintensität danach richtet, wie weit man es hinunterdrückt.

**Sostenutopedal.** Bei Betätigen dieses Pedals werden nur die Noten gehalten, deren Tasten Sie zu jenem Zeitpunkt drücken. Später gespielte Noten werden nicht gehalten.

**Dämpferpedal.** Mit diesem Pedal können alle gespielten Noten gehalten werden, was einen volleren Klang bewirkt. Das Pedal arbeitet stufenlos, so dass sich die Effektintensität danach richtet, wie weit man es hinunterdrückt.

## Pedaleinstellungen für den 'Layer'-Modus

Im „Layer“-Modus können Sie einstellen, welcher Klang vom Dämpferpedal beeinflusst wird.

---

**Anmerkung:** Wenn das Instrument ausgeschaltet wird, wird das Pedal wieder auf die werkseitigen Einstellungen zurückgesetzt. Wenn Sie wollen, dass Ihre Einstellungen erhalten bleiben, müssen Sie diese mit der Data Dump Funktion speichern (see “MIDI Data Dump” auf S. 121).

---

- 1 Halten Sie den TRANSPOSE/FUNCTION-Taster gedrückt und drücken Sie gleichzeitig das Damper-Pedal. Bei jeder Betätigung des Pedals leuchtet die LED des/der Klangauswahltaster(s) auf, auf den das Pedal wirkt.
- 2 Wenn das Pedal dem/den gewünschten Klang/Klängen zugewiesen ist, können Sie den TRANSPOSE/FUNCTION-Taster loslassen.

## Das Metronom

Das C-320 besitzt ein eingebautes Metronom, mit dem das Tempo beim Üben vorgegeben werden kann.

**Metronom starten und stoppen.** Drücken Sie den METRONOME-Taster, um das Metronom zu starten oder zu stoppen. Beim Einschalten ist das Metronom entsprechend der Schieberegler-Position eingestellt. Sie können diese Einstellung jedoch in der nachstehend beschriebenen Weise verändern. Nach dem Abspielen der Demosongs bleibt das Tempo des zuletzt abgespielten Demos eingestellt.

**Metronom-Lautstärke einstellen.** Drücken Sie den METRONOME-Taster, während das Metronom in Funktion ist. Drücken Sie dann mehrmals den STRINGS/PAD-Taster (oder die Taste B5), um die Lautstärke zu vermindern, bzw. CHOIR (oder die Taste C6), um sie zu erhöhen. Um zur ursprünglichen Lautstärke zurückzukehren, drücken Sie gleichzeitig die beiden Taster STRINGS/PAD und CHOIR

(oder die Tasten B5 und C6), während Sie den METRONOME-Taster gedrückt halten.



Notentaste	Effekt	Notentaste	Effekt
B5	geringere Lautstärke	C6	höhere Lautstärke

**Tempo mit Hilfe des TEMPO Schieberegler regulieren.** Benutzen Sie den TEMPO-Regler, um das Tempo zu verändern. Das Tempo kann im Bereich ♩ = 40 ~ 200 verändert werden.

**Numerische Tempoeingabe.** In manchen Fällen ist eine exakte Tempoeinstellung (beispielsweise 127 BPM) erforderlich. Sie können das gewünschte Tempo mit Hilfe der numerischen Eingabe ganz exakt einstellen.

- 1 Halten Sie den METRONOME-Taster gedrückt.
- 2 Benutzen Sie die Tastatur, um den dreistelligen Tempowert einzugeben (bei zweistelligen Werten ist eine "0" voranzustellen).



Taste	Nummer	Taste	Nummer
C5	0	C#5	1
D5	2	D#5	3
E5	4	F5	5
F#5	6	G5	7
G#5	8	A5	9

Um beispielsweise den Tempowert 168 einzustellen, halten Sie den METRONOME-Taster gedrückt und drücken Sie gleichzeitig die Tasten C#5 (1), F#5 (6), G#5 (8). Zur Einstellung des Tempowertes 85 halten Sie den METRONOME-Taster gedrückt und drücken gleichzeitig die Tasten C5 (0), G#5 (8), F5 (5).

**Taktunterteilung selektieren.** Sie können den ersten Taktschlag betonen.

<b>Taster</b>	<b>Taktunterteilung</b>
PIANO 1	2 Viertelnoten (2/4, 2/8...)
PIANO 2	3 Viertelnoten (3/4, 3/8...)
E.PIANO 1	4 Viertelnoten (4/4, 4/8...)
E.PIANO 2	6 Viertelnoten (6/4, 6/8...)

- 1 Halten Sie den METRONOME-Taster bei laufendem Metronom gedrückt und drücken Sie gleichzeitig den Taster, der der gewünschten Taktunterteilung entspricht (siehe Tabelle oben). Nun wird die erste Viertelnote des Taktes betont.
- 2 Zur Deaktivierung der Betonung halten Sie den METRONOME-Taster gedrückt und drücken gleichzeitig den Klangauswahltaster, dessen LED leuchtet.

---

**Anmerkung:** Beim Ausschalten des Instruments wird automatisch die Betonung deaktiviert.

---

**Glockenton für die Betonung selektieren.** Der betonte Taktschlag kann auch in einen Glockenton verwandelt werden.

- 1 Halten Sie den METRONOME-Taster bei laufendem Metronom gedrückt und drücken Sie gleichzeitig den VIBES/GUITAR Klangauswahltaster. Die LED des Tasters leuchtet auf und ein Glockenklang ertönt bei jeder ersten Viertelnote eines Taktes.
- 2 Um wieder zur normalen Betonung zurückzukehren, halten Sie den METRONOME-Taster gedrückt und drücken gleichzeitig den HARPSI/CLAV Klangauswahltaster, so dass sich die LED des HARPSI/CLAV-Tasters einschaltet.

---

**Anmerkung:** Beim Ausschalten des Instruments wird automatisch die Betonung deaktiviert.

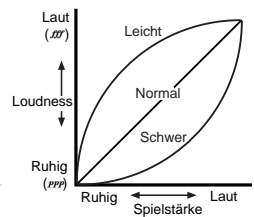
---



## Weitere Funktionen

### Einstellung des Anschlags

Die Anschlagempfindlichkeit der Tastatur kann unterschiedlich eingestellt werden. Halten Sie den TOUCH-Taster gedrückt und drücken Sie gleichzeitig den entsprechenden Taster zur Einstellung der gewünschten Anschlagempfindlichkeit.



Taster	Anschlagempfindlichkeit
PIANO 1/L	Leicht. Selbst bei leichtem Anschlag können laute Noten gespielt werden.
PIANO 2/M	Normal. Normaler Klavieranschlag.
E.PIANO 1/H	Schwer. Nur bei sehr starkem Anschlag werden laute Noten gespielt.

Um die jeweilige Einstellung zu überprüfen, halten Sie den TOUCH-Taster gedrückt und kontrollieren, welche der obigen LEDs eingeschaltet ist.

**Anmerkung:** Beim Ausschalten des Instruments wird wieder die normale Anschlagempfindlichkeit eingestellt.

Alternativ können auch TRANSPOSE/FUNCTION-Taster und Tastatur benutzt werden. TRANSPOSE/FUNCTION-Taster gedrückt halten und gleichzeitig die Notentaste drücken, die der gewünschten Einstellung entspricht (siehe Tabelle).

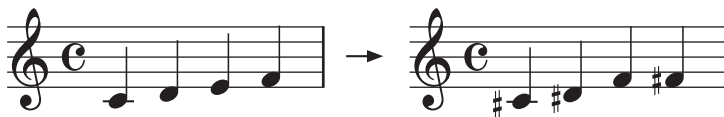


Taste	Anschlagempfindlichkeit
B3	Leicht. Selbst bei leichtem Anschlag können laute Noten gespielt werden.
C4	Normal. Normaler Klavieranschlag.
D4	Schwer. Nur bei sehr starkem Anschlag werden laute Noten gespielt.

## Transponierung

Bisweilen kommt es vor, dass Stücke in einer schwierig zu spielenden Tonart geschrieben sind (z.B. mit vielen schwarzen Tasten) oder die Tonhöhe zur Abstimmung auf ein anderes Instrument oder einen Sänger verändert werden muss. In diesen Fällen können Sie transponieren (Tonhöhe verändern), um die Fingerläufe zu vereinfachen oder mit denselben Fingerläufen in einer anderen Tonhöhe zu spielen. Diese Funktion wird Transponierung genannt.

Wenn Sie beispielsweise um einen Halbton nach oben transponieren, erklingen beim Spielen der links unten angezeigten Noten die rechts angezeigten Tonhöhen.



**Anmerkung:** Beim Ausschalten des Instruments wird die Transponierung wieder aufgehoben.

- 1 Halten Sie den TRANSPOSE/FUNCTION-Taster gedrückt und drücken Sie gleichzeitig die der gewünschten Transponierung entsprechende Taste auf der Tastatur (siehe Tabelle). Die LED des TRANSPOSE/FUNCTION-Tasters leuchtet und zeigt dadurch an, dass die Transponierfunktion aktiviert wurde.



Note	Effekt
F#6 — B6	6 — 1 Halbtöne nach unten

Note	Effekt
C7	Standardstimmung
C#7 — F7	1 — 5 Halbtöne nach oben

- Um zur Standardstimmung zurückzukehren, drücken Sie den TRANSPOSE/FUNCTION-Taster und schlagen gleichzeitig die Taste C7 an. Die LED des TRANSPOSE/FUNCTION-Tasters erlischt.

## Feinstimmung

Um die Stimmung des C-320 der eines anderen Instruments anzupassen, können Sie die Stimmung in Intervallen von 0.5 Hz im Bereich von A4 = 427.5 ~ 452.5 Hz einstellen. Die Standardstimmung ist A4 = 440 Hz.

**Anmerkung:** Beim Aus- und erneuten Einschalten des Instruments wird automatisch wieder die Standardstimmung (A4 = 440 Hz) eingestellt.

- Drücken Sie den TRANSPOSE/FUNCTION-Taster.
- Schlagen Sie die entsprechende Notentaste zur Veränderung der Stimmung an. Bei jedem Drücken der Taste B5 oder C6 wird die Stimmung um 0.5 Hz höher oder tiefer.
- Um erneut die Standardstimmung einzustellen, halten Sie den TRANSPOSE/FUNCTION-Taster gedrückt und drücken gleichzeitig die Tasten B5 und C6.



Note	Feinstimmung
B5	Stimmung wird um 0.5 Hz tiefer
B5+C6	Standardstimmung (A4 = 440 Hz)
C6	Stimmung wird um 0.5 Hz höher

## Temperierung selektieren

Zahlreiche klassische Stücke wurden in anderen Stimmungen komponiert als der heute gebräuchlichen wohltemperierten Stimmung. Um den ursprünglichen Klang dieser Kompositionen originalgetreu wiedergeben zu können, bietet das C-320 neben der wohltemperierten Stimmung auch die klassischen Stimmungen Kirnber-

ger und Werckmeister, so dass Sie aus insgesamt drei Stimmungen die jeweils am besten geeignete auswählen können.

Zur Einstellung der gewünschten Stimmung halten Sie den TOUCH-Taster gedrückt und drücken gleichzeitig den Taster, der gewünschten Stimmung. Um zur wohltemperierten Stimmung zurückzukehren halten Sie den TOUCH-Taster gedrückt und drücken gleichzeitig den Klanguauswahl-taster, dessen LED eingeschaltet ist.

Taster	Temperament
Beide LEDs sind ausgeschaltet	Wohltemperierten Stimmung. Beinahe alle modernen Tasteninstrumente basieren auf dieser Stimmung. Die Halbtöne sind vollkommen gleichmäßig voneinander entfernt.
HARPSI/CLAV	Werckmeister. Die Stimmung Werckmeister III wurde von dem deutschen Organisten und Musikgelehrten Andreas Werckmeister entwickelt. Sie entstand in der Zeit des Spätbarocks zur Ermöglichung relativ freier Transponierungen.
VIBES/GUITAR	Kirnberger. Die Stimmung Kirnberger III wurde von Johann Phillip Kirnberger zu Beginn des 18. Jahrhunderts entwickelt und wird vorzugsweise für Cembali verwendet.

Um die eingestellte Stimmung überprüfen zu können, halten Sie den TOUCH-Taster gedrückt und kontrollieren, welche der obigen LEDs aufleuchtet.

---

**Anmerkung:** Beim Ausschalten des Instruments wird automatisch wieder die wohltemperierten Stimmung eingestellt.

---

**Zum Thema “gedehnte Stimmung”.** Zur Erzielung möglichst natürlicher Resonanzen wird bei den Klängen PIANO 1 und PIANO 2 eine “gedehnte Stimmung” verwendet, um die Noten in den tiefen Bereichen etwas dunkler und in den hohen Bereichen heller klingen zu lassen. Akustische Klaviere werden von professionellen Klavierstimmern normalerweise auf diese Weise gestimmt.

---

## MIDI

### Was ist MIDI?

MIDI ist die Abkürzung für *Musical Instrument Digital Interface*. Dies ist ein internationaler Standard für die Verbindung und die Datenübertragung zwischen elektronischen Instrumenten, Computern und anderen Geräten.

### Was leistet MIDI?

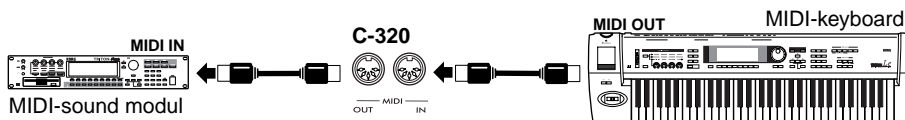
Dank MIDI können Sie das C-320 zur Steuerung anderer Instrumente, oder umgekehrt, andere Instrumente zur Steuerung des C-320 einsetzen und einen Sequenzer zur Kreation komplexer Musikstücke benutzen.

Wenn Sie die Tastatur oder das Pedal des C-320 benutzen oder einen Klang selektieren, werden die Noten, die Pedalaktivierung und die Klangänderungen an ein anderes Instrument übertragen oder von einem Sequenzer aufgenommen.

### Anschlüsse

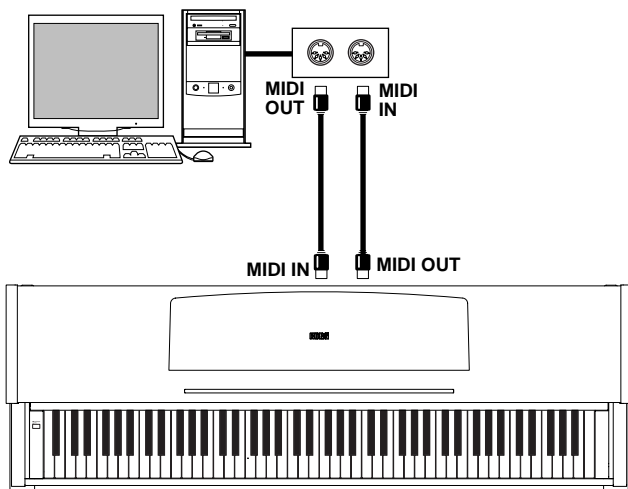
Schließen Sie stets die MIDI OUT Buchse des Instruments an die MIDI IN Buchse des anderen Instruments an. Verbinden Sie keinesfalls die beiden Buchsen desselben Instruments miteinander.

Schließen Sie die MIDI OUT Buchse des übertragenden Instruments (Master) an die MIDI IN Buchse des empfangenden Instruments (Slave) an.



Um das C-320 an einen Computer anzuschließen, benötigen Sie eine MIDI Schnittstelle am Computer, Software für Sequencing oder Notenaufzeichnung sowie zwei

Standard MIDI Kabel. Schließen Sie die MIDI OUT Buchse des C-320 an die MIDI IN Buchse des Computers und die MIDI IN Buchse des C-320 an die MIDI OUT Buchse des Computers an.



## Standard MIDI Einstellungen

Beim Einschalten des Instruments sind die MIDI Parameter des C-320 wie folgt programmiert:

Parameter	Einstellung
Übertragungskanal	1
Empfangskanal/kanäle	Alle 16 (1-16)*
Local	ON
Omni	OFF

(\*) Auf Kanal 10 werden ausschließlich Metronomnoten (D#5, E5) empfangen.

## Übertragungskanal selektieren

Bei Standard MIDI stehen 16 Kanäle für die Übertragung und den Empfang von Daten zur Verfügung. Das C-320 empfängt immer auf allen 16 Kanälen und überträgt auf nur einem Kanal. Um Daten vom C-320 zu übertragen, müssen Sie zunächst festlegen, welcher der 16 Kanäle hierfür vorgesehen sein soll.

Halten Sie den TRANSPOSE/FUNCTION-Taster gedrückt und drücken gleichzeitig die Notentaste im Bereich zwischen C2 und D#3, die dem vorgesehenen MIDI Kanal entspricht.



Notentaste	Kanal	Notentaste	Kanal
C2	1	C#2	2
D2	3	D#2	4
E2	5	F2	6
F#2	7	G2	8
G#2	9	A2	10
A#2	11	B2	12
C3	13	C#3	14
D3	15	D#3	16

---

**Anmerkung:** Beim Einschalten des Instruments ist automatisch Kanal 1 eingestellt.

---

**Anmerkung:** Als Default-Einstellung wird der Kanal 10 automatisch dem Metronom-Klang zugewiesen (Noten D#5-E5).

---

**Anmerkung:** Im Layer Modus wird der zweite Klang jeweils auf dem nächsthöheren Kanal übertragen. Wenn Sie beispielsweise Kanal 7 selektieren, wird der erste Klang auf Kanal 7, der zweite Klang hingegen auf Kanal 8 übertragen. Wenn Sie Kanal 16 selektieren, wird der erste Klang auf Kanal 16, der zweite Klang hingegen auf Kanal 1 übertragen (nach 16 kehrt der Zähler auf 1 zurück).

---

## C-320 als multitimbraler Tongenerator

Wenn das C-320 von einem externen MIDI-Gerät gesteuert wird, kann es als multitimbraler Tongenerator verwendet werden. Sie können auf jedem der 16 MIDI Kanäle einen anderen Klang wählen.

- 1 Schließen Sie die MIDI In Buchse des C-320 mit einem MIDI Kabel an die MIDI OUT Buchse eines Sequenzers o.ä. an.
- 2 Übertragen Sie MIDI Daten vom angeschlossenen Sequenzer (oder einem anderen Gerät). Detaillierte Anweisungen zur Selektion der Klänge unter Verwendung der MIDI Program Change Befehle finden Sie unter "Program Change" auf S. 118. Das

C-320 muss natürlich für den Empfang von Program Change Befehlen aktiviert werden (laut Vorgabe ist das der Fall).

Informationen zum Senden von Program Change Befehlen finden Sie in der Bedienungsanleitung des angeschlossenen Geräts.

## Local On/Off

Local ist der Parameter, mit dem Sie festlegen, ob das Klavier gleichzeitig die internen Klänge spielen und MIDI Daten übertragen soll (Local On) oder ob es nur MIDI Daten übertragen, die internen Klänge aber nicht spielen soll (Local Off).

Selektieren Sie Local Off, wenn das C-320 als stummes Keyboard verwendet werden soll, das auf einem anderen Instrument spielt. Diese Einstellung sollte auch dann gewählt werden, wenn das C-320 über seine MIDI IN und MIDI OUT Buchsen an einen Sequenzer angeschlossen ist. Auf diese Weise vermeiden Sie, dass bestimmte Noten zweimal, d.h. sowohl vom Keyboard als auch vom Sequenzer gespielt werden und einen unangenehmen Echoeffekt erzeugen.

Normalerweise wählen Sie die Einstellung Local On (wird automatisch beim Einschalten des Instruments eingestellt), so dass beim Spielen des Keyboards der entsprechende Klang zu hören ist.

Halten Sie den TRANSPOSE/FUNCTION-Taster gedrückt und drücken Sie gleichzeitig den [PIANO 1] Klangauswahltaster. Die Local Einstellung wechselt bei jedem Tastendruck zwischen On und Off.

Local Status	PIANO 1 LED Status
Local On	eingeschaltet
Local Off	ausgeschaltet

---

**Anmerkung:** Beim Einschalten des Instruments ist der Local Parameter automatisch auf On eingestellt.

---

## Program Change

Der Klang des C-320 kann über MIDI selektiert werden, indem ein Program Change Befehl auf dem Kanal gesendet wird, dem der Klang zugewiesen werden soll. In der untenstehenden Tabelle finden Sie alle Program Change Nummern (zwischen 0 und 29; wenn das übertragende Gerät Nummern zwischen 1 und 30 verwendet, muss die Nummer jeweils um eine Einheit erhöht werden).



**Program Change Befehle übertragen.** Sie können einen MIDI Program Change Befehl an ein MIDI Gerät übertragen, das an die MIDI OUT Buchse des C-320 angeschlossen ist, um dessen Klang zu ändern. Wenn Sie einen der internen Klänge des C-320 mit den Klangauswahltastern selektieren, wird eine entsprechende MIDI Program Change Nummer übertragen, wie aus der nachstehenden Tabelle zu ersehen ist.

**Program Change Befehle empfangen.** Wenn ein Program Change Befehl von einem externen Gerät empfangen wird, wird auf dem C-320 der entsprechende interne Klang selektiert, wie aus der nachstehenden Tabelle zu ersehen ist. Nur Program Change (PC) Nummern zwischen 0 und 29 werden vom C-320 berücksichtigt.

PC#	Taster	Bank	Klang
0	PIANO 1	1	Grand Piano
1		2	Bright Piano
2		3	Mellow Piano
3	PIANO 2	1	Honky-Tonk
4		2	Detune Piano
5		3	E.Grand Piano
6	E.PIANO 1	1	Club E.Piano
7		2	Stage E.Piano
8		3	Thin E.Piano
9	E.PIANO 2	1	80's E.Piano
10		2	Digital E.Piano
11		3	Vintage E.Piano
12	HARPSI/CLAV	1	Harpsichord
13		2	Clav.
14		3	Wah Clav.
15	VIBES/GUITAR	1	Vibraphone
16		2	Marimba
17		3	Acoustic Guitar
18	ORGAN1	1	Jazz Organ 1
19		2	Jazz Organ 2
20		3	Jazz Organ 3
21	ORGAN2	1	Church Organ 1
22		2	Church Organ 2
23		3	Church Organ 3

PC#	Taster	Bank	Klang
24	STRINGS/PAD	1	Slow Strings
25		2	Warm Pad
26		3	Strings
27	CHOIR	1	Choir Hoo
28		2	Choir Doo
29		3	Choir Pad

**Program Change aktivieren/deaktivieren.** Um diese Art von Daten übertragen und empfangen zu können, muss das Instrument für die Übertragung/Empfang von Program Change Befehlen aktiviert werden. Wenn dies nicht gewünscht wird, können Program Changes Daten deaktiviert werden.

Halten Sie den TRANSPOSE/FUNCTION-Taster gedrückt und drücken Sie gleichzeitig den PIANO 2 Klangauswahl-taster. Bei jedem Tasterdruck wechselt die Einstellung zwischen “aktiviert” und “deaktiviert”.

Program Change Status	PIANO 2 LED Status
Aktivieren	eingeschaltet
Deaktivieren	ausgeschaltet

**Anmerkung:** Beim Einschalten des Instruments sind Program Changes auf allen MIDI Kanälen aktiviert.

## Control Change

Wenn Sie das Lautstärkepedal betätigen, die Balance-Einstellung im Layer Modus regulieren oder die entsprechenden Einstellungen auf dem Bedienfeld vornehmen, wird ein entsprechender Control Change Befehl an ein externes MIDI Gerät gesendet. In gleicher Weise kann das C-320 Control Change Befehle von einem externen MIDI Gerät empfangen, das an der MIDI IN Buchse des Instruments angeschlossen ist, um das Lautstärkepedal zu steuern und Lautstärke- oder sonstige Regulierungen vorzunehmen.

**Control Change aktivieren/deaktivieren.** Um diese Art von Daten übertragen und empfangen zu können, muss das Instrument für die Übertragung/Empfang von Control Change Befehlen aktiviert werden. Wenn dies nicht gewünscht wird, können Control Change Daten deaktiviert werden.

Halten Sie den TRANSPOSE/FUNCTION-Taster gedrückt und drücken Sie gleichzeitig den E.PIANO 1 Klangauswahltaster. Bei jedem Tasterdruck wechselt die Einstellung zwischen “aktiviert” und “deaktiviert”.

Control Change Status	E.PIANO 1 LED Status
aktiviert	eingeschaltet
deaktiviert	ausgeschaltet

**Anmerkung:** Beim Einschalten des Instruments sind Control Change Befehle auf allen MIDI Kanälen aktiviert.

## MIDI Data Dump

Die können die vorgenommenen Klang- (Single oder Layer Modus) auf einem externen MIDI Speichergerät, beispielsweise einem Sequenzer oder einem MIDI Datafiler abspeichern. Diese Daten können dann wieder ins C-320 geladen werden, um bestimmte Dateneinstellungen wieder zur Verfügung zu haben.

**Warnung:** Zur Vermeidung von Datenverlusten sollten Sie die Bedienungsanleitung Ihres MIDI Datafiler sorgfältig durchlesen. Beim Laden von Daten in den Speicher des C-320 werden alle intern vorhandenen Daten gelöscht.

**Tipp:** Zur Vermeidung jeder Art von Problemen empfiehlt es sich, den systemexklusiven Datenempfang im angeschlossenen Gerät zu deaktivieren.

In der nachfolgenden Tabelle sind die Daten aufgeführt, die mit Data Dump gespeichert werden können.

Kategorie	Daten
Single Modus	Hall- und Chorus-Einstellungen (On/Off Status, Sendepiegel)
Layer Modus	Balance zwischen den Klängen, Lautstärkepedal On/Off Status für jeden Klang.

**Daten im Datafiler speichern.** So können Sie die Daten Ihres C-320 speichern.

- 1 Schließen Sie die MIDI OUT Buchse des C-320 mit einem MIDI Kabel an die MIDI IN Buchse des Datafiler an.
- 2 Stellen Sie den Datafiler auf den Empfang von MIDI Daten ein.

- 3 Halten Sie den TRANSPOSE/FUNCTION-Taster auf dem C-320 gedrückt und drücken Sie gleichzeitig den VIBES/GUITAR Klangauswahl-taster. Die LEDs des TRANSPOSE/FUNCTION-Tasters und des VIBES/GUITAR-Tasters blinken, um anzuzeigen, dass das C-320 für die Data Dump Übertragung bereit ist.
- 4 Drücken Sie den TOUCH-Taster. Die Data Dump Übertragung beginnt, d.h. die Klangeinstellungsdaten werden auf den Datafiler übertragen.

Während des Data Dump sind die Klangerzeugung und die sonstigen Funktionen des C-320 blockiert. Nach Abschluss des Übertragungsvorgangs werden die normalen Spielfunktionen wiederhergestellt.

Sie können den Data Dump Vorgang vor Beginn desselben durch Drücken des Tasters TRANSPOSE/FUNCTION oder VIBES/GUITAR abbrechen.

**Daten vom Datafiler laden.** Die zuvor im Datafiler gespeicherten Daten können wieder ins C-320 geladen werden.

- 1 Schließen Sie die MIDI IN Buchse des C-320 mit einem MIDI Kabel an die MIDI OUT Buchse des Datafiler an.
- 2 Halten Sie den TRANSPOSE/FUNCTION-Taster des C-320 gedrückt und drücken Sie gleichzeitig den VIBES/GUITAR Klangauswahl-taster. Die LEDs der TRANSPOSE/FUNCTION und VIBES/GUITAR-Taster blinken, um anzuzeigen, dass das C-320 für den Empfang des Data Dump bereit ist.
- 3 Stellen Sie den Datafiler entsprechend ein, um die zuvor gespeicherten Klangeinstellungsdaten des C-320 zu übertragen. Eingehende Informationen über die Datenübertragung lesen Sie bitte in der Bedienungsanleitung des Datafiler nach.

Das C-320 empfängt die übertragenen Daten.

Wenn das Data Dump beendet ist, befindet sich das C-320 wieder im gleichen Status wie vor der Übertragung.

Während des Data Dump sind die Klangerzeugung und die sonstigen Funktionen des C-320 blockiert. Wenn das Data Dump beendet ist, schaltet sich die LED des TOUCH-Tasters aus und die normalen Spielfunktionen werden wiederhergestellt.

Sie können den Data Dump Vorgang vor Beginn desselben durch Drücken des TRANSPOSE/FUNCTION- oder VIBES/GUITAR-Tasters abbrechen.

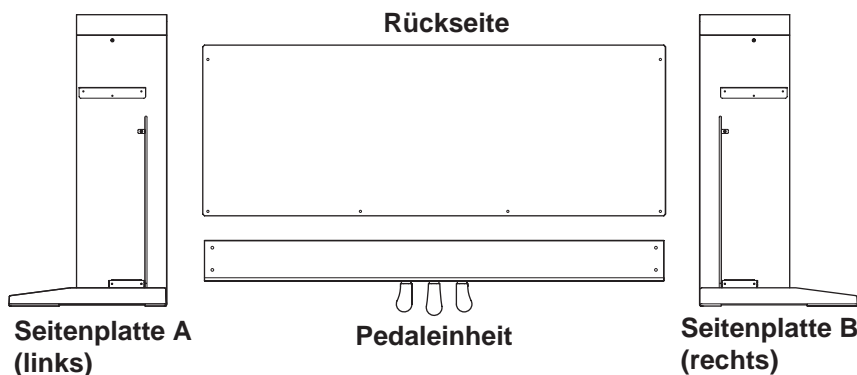
## Zusammenbau der Ständereinheit

### Vorsicht beim Zusammenbau

- Achten Sie beim Zusammenbau des Ständers darauf, dass Sie sich nicht die Finger quetschen.
- Gehen Sie besonnen vor, um die richtigen Teile an den richtigen Stellen anzubringen. Absolvieren Sie alle Schritte in der angegebenen Reihenfolge.
- Legen Sie keine schweren Gegenstände usw. auf die Pianovorderseite, solange nicht alle Schrauben festgedreht sind. Sonst kippt das Piano eventuell vom Ständer.

### Zusammenbauverfahren

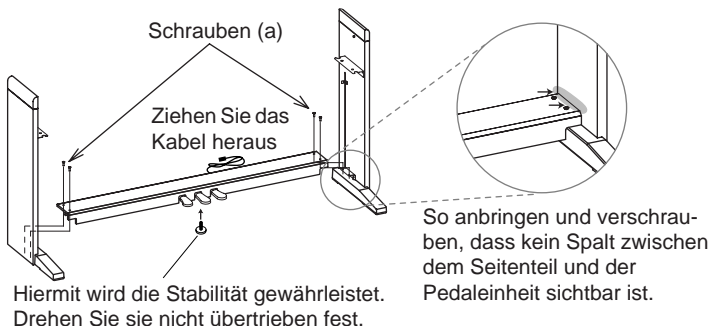
- 1 Öffnen Sie den Lieferkarton und entnehmen Sie seinen Inhalt. Überprüfen Sie, ob Sie folgende Dinge bekommen haben.



Zubehör für die Ständereinheit		
Schrauben (a) (M6 x 20)...x4	Schrauben (b) (M4 x 14)...x6	Kappen...x4
Kabelbinder ...x2	Befestigungsschrauben ...x2	Einstellschraube...x1

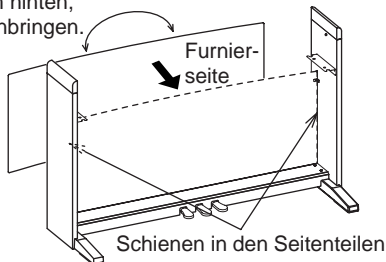
**Anm.:** Für den Zusammenbau benötigen Sie einen Kreuzkopfschraubenzieher (Phillips Nr. 2).

- 2 Drehen Sie die Einstellschraube so weit wie möglich in das Gewinde der Pedaleinheit und befestigen Sie das Pedalkabel. Befestigen Sie die Seitenteile mit den Schrauben (a) an der Pedaleinheit. Zwischen den Seitenteilen und der Pedaleinheit darf kein Spalt sichtbar sein.



- Halten Sie die Rückwand mit der Furnierseite zu den Pedalen und biegen Sie sie leicht nach hinten, während Sie sie in die „Schienen“ der Seitenteile einsetzen.

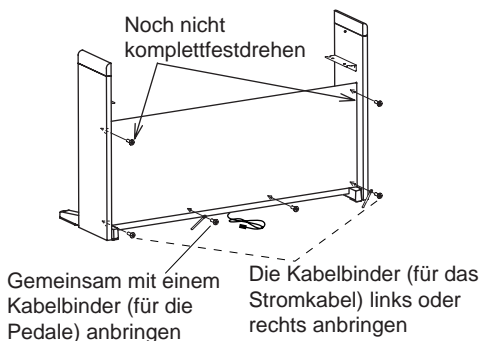
Biegen Sie die Rückwand leicht nach hinten, während Sie sie in den „Schienen“ anbringen.



- Befestigen Sie die Seitenteile mit den Schrauben (b).

Arretieren Sie zuerst die untere Partie der Rückwand (an vier Stellen). Bringen Sie an zwei Schrauben einen Kabelbinder an, bevor Sie sie in die Ständereinheit drehen. Die Kabelbinder sollten sich entweder ganz rechts oder ganz links befinden – je nachdem, wo sich die Steckdose im Verhältnis zum Instrument befindet.

Arretieren Sie jetzt die Oberseite der Rückwand (an zwei Stellen). Drehen Sie diese Schrauben noch nicht komplett fest, weil Sie zum Anbringen des Pianos noch etwas „Spielraum“ benötigen.



- Stellen Sie die Ständereinheit gerade auf und sorgen Sie dafür, dass nirgends ein Spalt sichtbar ist. Drehen Sie nun alle Schrauben bis auf die beiden lockeren noch einmal fest.

## 6 Bringen Sie das Instrument an.

Richten Sie die Schraubenköpfe im linken und rechten Seitenteil so aus, dass sie in die Metall-Aussparungen an der linken und rechten Instrumentseite gleiten und senken Sie das Instrument behutsam ab. Wenn das Instrument richtig angebracht ist, befinden sich die Schrauben der beiden Seitenteile in den Metallaussparungen.

Überzeugen Sie sich davon, dass das bei Ihnen der Fall ist und lehnen Sie sich anschließend auf das Instrument, um es in der Ständereinheit zu verankern.

---

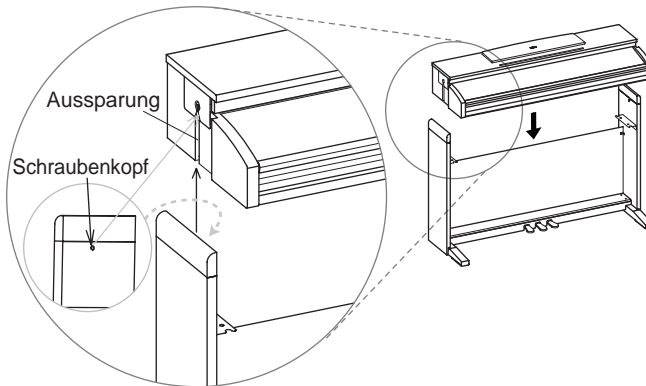
**Anmerkung:** Senken Sie das Instrument horizontal (an beiden Seiten gleichmäßig) ab. Seien Sie vorsichtig, dass Sie sich nicht die Finger klemmen.

---

---

**Anmerkung:** Gehen Sie behutsam vor, um die Seitenteile nicht zu verkratzen.

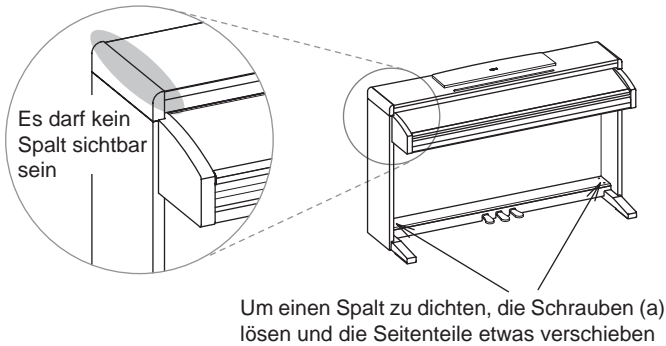
---





- 7 Schauen Sie nach, ob die Instrumentoberseite mit der Oberseite der Seitenteile fluchtet und ob kein Spalt sichtbar ist.

Wenn ein Spalt sichtbar ist, müssen Sie die Schrauben (a) lösen, mit denen die Seitenteile an der Pedaleinheit befestigt sind.



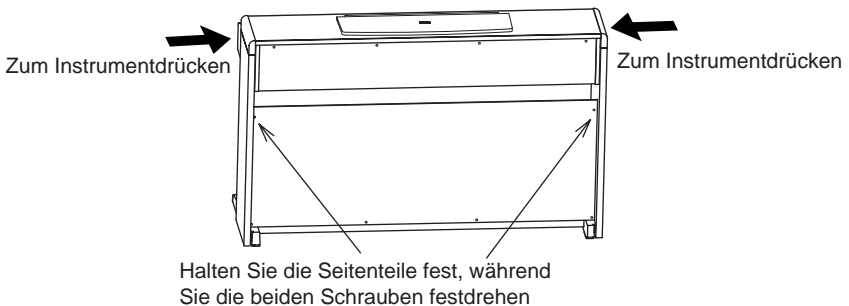
Wenn der Spalt zwischen dem Instrument und den Seitenteilen relativ groß ist, haben Sie das Instrument wahrscheinlich nicht richtig in die Ständereinheit gleiten lassen. Heben Sie das Instrument dann an und senken Sie es erneut (diesmal richtig) ab.

---

**Anmerkung:** Heben Sie das Instrument immer horizontal an, um die Metallpartien des Instruments nicht zu verbiegen. Das Instrument darf beim Anheben und absenken niemals schief gehalten werden.

---

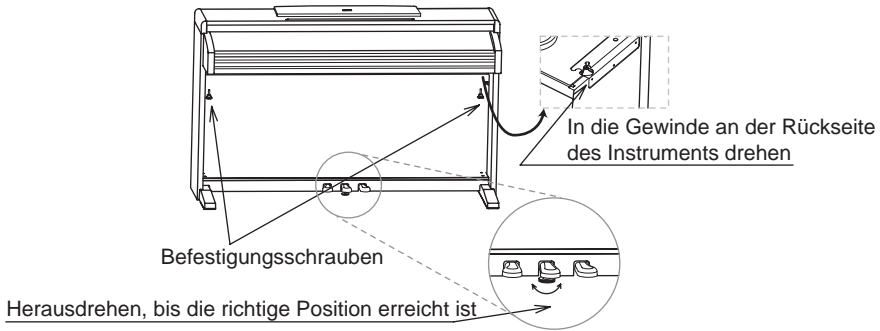
- 8 Drücken Sie auf die Oberseite der Ständereinheit, während Sie die beiden noch lockeren Schrauben festdrehen.



- 9 Arretieren Sie das Instrument an der Unterseite mit den beiden Befestigungsschrauben.

Drehen Sie die Einstellschraube so weit heraus, bis sie den Boden berührt.

**Anmerkung:** Wenn die Einstellschraube den Boden nicht berührt, bewegt sich die Pedaleinheit beim Spielen, was zu Fehlfunktionen führen kann.



Überprüfen Sie, ob alle Schrauben festsitzen. Bringen Sie schließlich die Kappen auf den Schraubenköpfen (a) der Pedaleinheit an.

10 Schließen Sie das Netzkabel an das beiliegende AC-Netzteil an.

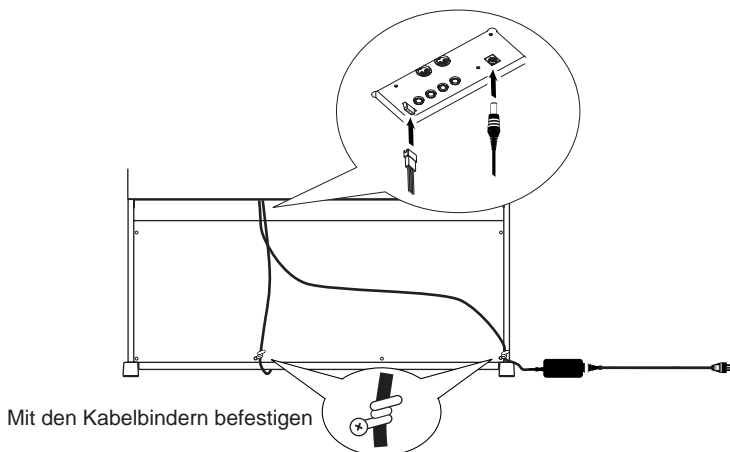


11 Schließen Sie das Pedalkabel und das DC-Ende des Netzteils an das Instrument an und befestigen Sie die Kabel mit den Bindern.

---

**Anmerkung:** Schieben Sie den Stecker des Pedalkabels richtig herum in die Buchse.

---



---

**Anmerkung:** Achten Sie beim Aufstellen der Pianoeinheit darauf, dass das Netzkabel nicht gequetscht wird.

---

## Kontrolle nach dem Zusammenbau

[•] Sind bestimmte Teile übrig geblieben?

Wenn bestimmte Gegenstände übrig geblieben sind, überprüfen Sie bitte alle Zeichnungen, um zu ermitteln, wo sie hingehören.

[•] Alle Schrauben müssen festgedreht werden.

## Vorsicht

**Vorsicht beim Transport des Instruments.** Entnehmen Sie das Pianogehäuse von der Ständereinheit und transportieren Sie beide separat. Bringen Sie das Piano am neuen Aufstellungsort wieder wie oben beschrieben am Ständer an.

**Lockere Schrauben.** Selbst nach dem ordnungsgemäßen Zusammenbau ist es durchaus denkbar, dass sich die Schrauben und Muttern nach und nach lösen, so dass die Ständereinheit zu wackeln beginnt. Dann müssen die Schrauben wieder festgedreht werden.

**Abbau.** Vor dem (regelmäßigen) Transport des Pianos müssen Sie die oben erwähnten Zusammenbauschnitte in umgekehrter Reihenfolge absolvieren. Achten Sie beim Abbau darauf, dass keine Gegenstände verloren gehen.

## Anhang

### Fehlerbeseitigung

Sollte während des Gebrauchs des Instruments eines der nachfolgend beschriebenen Probleme auftreten, kontrollieren Sie es sorgfältig und versuchen Sie, die Störung anhand der Vorschläge und Tipps zu beseitigen. Wenn das Instrument weiterhin nicht einwandfrei funktionieren sollte, wenden Sie sich bitte an Ihren Händler oder an ein autorisiertes Korg Kundendienstzentrum.

Problem	Mögliche Abhilfe	Seite
Instrument lässt sich nicht einschalten.	Prüfen Sie, ob der Ws-Adapter richtig in das Klavier und die Netzsteckdose eingesteckt ist.	99
Instrument bleibt stumm.	(1) Versichern Sie sich, dass die Lautstärke nicht auf 0 eingestellt ist. Regulieren Sie die Lautstärke ggf. auf ein angemessenes Niveau.	102
	(2) Schauen Sie nach, ob eventuell ein Stecker mit einer PHONES-Buchse verbunden ist. Dann sind die Lautsprecher nämlich stummgeschaltet. Ziehen Sie den Stecker also aus der Buchse.	100
	(3) Versichern Sie sich, dass die MIDI Local Funktion nicht auf OFF eingestellt ist. Sollte dies der Fall sein, stellen Sie ON ein (oder schalten Sie das Instrument aus und anschließend wieder ein).	118

### Polyphonie

Das C-320 enthält gesampelte Klänge, die durch Aufnahme, Analyse und Bearbeitung der Klänge von Original-Musikinstrumenten entstehen. Diese Klänge bestehen normalerweise aus einem oder mehreren unterschiedlichen Klängen, die durch Anschlagen einer Taste wiedergegeben werden. Jedes Sample wird durch einen einzelnen Oszillator wiedergegeben. Klänge, bei denen nur ein Oszillator verwendet wird, verfügen über die volle 60-stimmige Polyphonie, während Klänge, die von

zwei Oszillatoren wiedergegeben werden, über eine begrenzte, maximal 30-stimmige Polyphonie verfügen. Klänge, bei denen mehrere Oszillatoren mitwirken, haben eine begrenztere Polyphonie. Wenn die Anzahl der Noten die Klanggrenze überschreitet, werden manche Noten unterbrochen, damit neue erklingen können.

Wenn Sie im Layer Modus mit mehr als zwei Noten spielen, hängt die maximale Polyphonie davon ab, wieviele Oszillatoren insgesamt verwendet werden. Bei Verwendung der Funktionen REVERB und CHORUS vermindert sich die Polyphonie zusätzlich um 10 bzw. 3 Noten.

Weitere Informationen über die für die einzelnen Klänge verwendeten Oszillatoren finden Sie in der Tabelle auf Seite 105.

## Technische Daten

Daten	C-320
Tastatur	88 Noten, mit Anschlagdynamik und Hammersimulation (Korg RH3, "Real Weighted Hammer Action")
Anschlagempfindlichkeit	Leicht, normal, schwer
Stimmungseinstellung	Transponierung, Feinstimmung Temperierung (Equal, Kirnberger, Werckmeister)
Klangerzeugung	Stereo PCM System
Polyphonie	60 Noten (max). Bei Verwendung von 2-Oszillatorenklängen, Layer Modus und/oder Hall bzw. Chorus vermindert sich die Anzahl der gleichzeitig spielenden Noten.
Klänge	30 Klänge im ROM
Effekte	Reverb, Chorus (jeweils 3 Stufen)
Demo	30 programmierte Demosongs
Metronom	Regler für Tempo, Takt, Betonung und Lautstärke
Pedal	Damper, Sostenuto, Soft (Damper und Soft mit Halbpedalunterstützung)
Anschlussbuchsen	Audio Ausgang (OUTPUT L/MONO, R), Audio Eingang (INPUT L/MONO, R), 2 x Kopfhörer, MIDI (IN, OUT), Pedale
Regler	Netzschalter, Master Volume, Reverb, Chorus, Touch, Transpose/Function, Bank, Klang-auswahl-taster, Tempo, Metronom, Demo
Verstärkung	2x25W-Verstärker, 2x13cm-Lautsprecher
Stromversorgung	Externes Universal-Netzteil, AC100-240V, 50/60Hz, 18V Gleichstrom, 3,3A
Abmessungen (B x T x H)	1396 x 462 x 869 mm (55.0" x 18.2" x 34.2"), mit Ständereinheit, ohne Notenständer
Gewicht	50 kg (110 lbs), mit Ständereinheit
Zubehör	Ws-Adapter; Stuhl, Ständereinheit (alles im Lieferumfang enthalten)

*Klangbearbeitung durch INFINITY™*

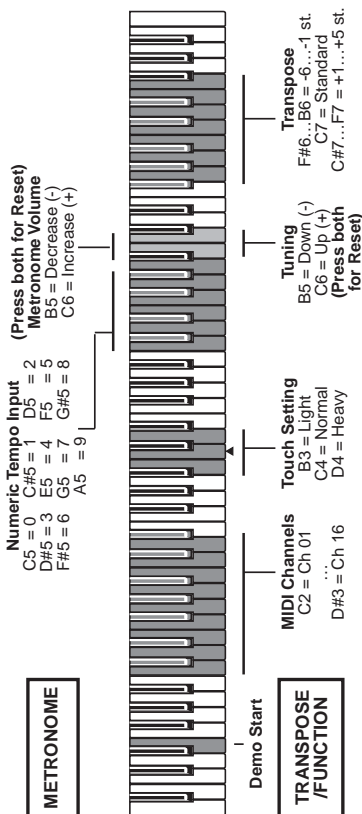
*Korg behält sich das Recht auf Änderungen ohne Vorankündigung vor.*

# Bedienfeld-Kurzbehle

...halten Sie diesen Tasten gedrückt Während des Drückens dieses Buttons...	PIANO 1	PIANO2	E.PIANO 1	E.PIANO 2	HARPSICLAV	VIBESGUITAR	ORGAN 1	ORGAN 2	STRINGS/PAD	CHOIR
REVERB	Int = geringe	Int = mittlere	Int = hoch							
CHORUS	Int = geringe	Int = mittlere	Int = hoch							
TOUCH	Leicht	Normal	Stark		Werkmeister	Kirnbeger				
METRONOME	Takt: 2/4	Takt: 3/4	Takt: 4/4	Takt: 6/4	Betonung	Glockenklang			Metro Vol. Dec.	Metro Vol. Inc.
TRANSDPOSE/FUNCTION	Local On/Off	Prg.Change Rv/Tx	Ctrl.Change Rv/Tx			Data Dump				

# Bedienfeld und Tastatur

Das nachfolgende Diagramm zeigt verschiedene Funktionen, die Sie ansteuern können, indem Sie den METRONOME oder den TRANSDPOSE/FUNCTION Taster gedrückt halten und gleichzeitig eine Notentaste auf der Tastatur anschlagen.





# KORG

## *CONCERT*

### *C-320*

# *Manuale d'uso*

## PRECAUZIONI

### Collocazione

L'uso dello strumento in una delle situazioni seguenti può causarne il malfunzionamento.

- Alla luce diretta del sole
- In ambienti particolarmente caldi o umidi
- In luoghi sporchi o polverosi
- In luoghi soggetti a eccessive vibrazioni

### Alimentazione

Collegate l'alimentatore esterno ad una presa di corrente del voltaggio indicato sull'alimentatore stesso. Non collegatelo ad una presa di corrente di voltaggio diverso.

### Interferenze con altri dispositivi elettronici

Questo prodotto contiene un microprocessore, che può interferire con il funzionamento di apparecchi radio e televisivi posti nelle sue vicinanze. Usate questo dispositivo ad una certa distanza da apparecchi radio e televisivi.

### Maneggiare con cura

Per evitarne la rottura, non forzate i pulsanti e i controlli.

### Manutenzione e pulizia

Pulite le superfici con un panno morbido e asciutto. Non usate panni ruvidi, detergenti liquidi (quali benzene o diluenti), solventi organici o liquidi infiammabili.

### Conservate questo manuale

Dopo la lettura, conservate il manuale per ulteriori consultazioni.

### Corpi estranei

- Non appoggiate vasi, recipienti o bicchieri sullo strumento. Eventuali infiltrazioni di liquidi possono causare incendi e scosse elettriche, e comunque danneggiare irreparabilmente lo strumento.
- Non fate cadere oggetti metallici, come spilli o monete, all'interno dello strumento. Se questo dovesse accadere, scollegate l'alimentatore dalla presa di corrente, e contattate il negoziante.

## MARCHIO CE PER L'ARMONIZZAZIONE DEGLI STANDARD EUROPEI

Il marchio CE apposto sui prodotti della nostra azienda per gli apparati funzionanti in CA sino al 31 Dicembre 1996 ne indica la conformità alla Direttiva EMC (89/336/EEC) e alla Direttiva sul marchio CE (93/68/EEC).

Il marchio CE apposto dopo il 1° Gennaio 1997 ne indica la conformità alla Direttiva EMC (89/336/EEC), alla Direttiva sul marchio CE (93/68/EEC) e alla Direttiva sulle Basse Tensioni (73/23/EEC).

Inoltre, il marchio CE apposto sui prodotti della nostra azienda per gli apparati funzionanti a Batteria ne indica la conformità alla Direttiva EMC (89/336/EEC) e alla Direttiva sul marchio CE (93/68/EEC).

## RESPONSABILITÀ

Le informazioni contenute in questo manuale sono state attentamente riviste e controllate. A causa del costante impegno a migliorare i nostri prodotti, le specifiche potrebbero differire da quanto descritto nel manuale. Korg non è responsabile per eventuali differenze tra le specifiche e la descrizione contenuta nel manuale d'istruzioni. Specifiche soggette a cambiamenti senza preavviso.

## GARANZIA

I prodotti Korg sono costruiti in accordo alle più rigorose normative elettriche e meccaniche in vigore in vari paesi del mondo. Questi prodotti sono garantiti in ogni paese esclusivamente dal distributore Korg. I prodotti Korg non venduti con apposita garanzia del costruttore o del distributore, o privi di numero di serie, non possono usufruire di assistenza sotto garanzia. Questa norma è ad esclusiva tutela del consumatore.

## SERVIZIO E ASSISTENZA AL MUSICISTA

Per riparazioni, rivolgetevi al più vicino Centro di Assistenza Autorizzato Korg. In Italia, per maggiori informazioni sui prodotti Korg, e per infor-

mazioni su accessori per il vostro pianoforte,  
inviatene una e-mail all'indirizzo  
infokorg@sygroup.it.

## **KORG SU INTERNET**

Home page Korg Inc.: "<http://www.korg.co.jp>"

Home page Korg Italy: "<http://www.korgpa.com>"

Home page Korg USA: "<http://www.korg.com>"

## **CONSERVAZIONE DEI DATI**

Allo spegnimento dello strumento, tutti i parametri vengono riportati alla condizione iniziale.

## INDICE GENERALE

-----

	Introduzione .....	139
	Caratteristiche principali .....	139
1	Prospetti .....	141
	Pannello frontale .....	141
	Pannello inferiore .....	143
2	Prima di iniziare .....	144
	Collegare lo strumento ad un sistema di amplificazione esterno .....	144
	Usare le cuffie .....	144
	Aprire il coperchio .....	145
	Accendere lo strumento .....	145
	Sollevare il leggio .....	146
	Regolare il volume .....	146
	Ascoltare i brani dimostrativi .....	146
3	Operazioni di base .....	149
	Selezionare un solo suono (modo Single) .....	149
	Selezionare due suoni allo stesso tempo (modo Layer) .....	149
	Scegliere il riverbero e il chorus .....	150
	Usare i pedali .....	151
	Impostare i pedali in modo Layer .....	152
	Il metronomo .....	152
4	Altre funzioni .....	155
	Regolazione del tocco .....	155
	Trasposizione .....	156
	Intonazione fine .....	157
	Selezione di un temperamento .....	157
5	MIDI .....	159
	Che cos'è il MIDI? .....	159
	Che cosa si può fare con il MIDI? .....	159
	Collegamenti .....	159
	Impostazioni standard del MIDI .....	160
	Selezionare il canale di trasmissione .....	160
	Usare C-320 come generatore sonoro multitimbrico .....	161
	Local On/Off .....	162
	Program Change .....	162
	Control Change .....	164
	MIDI Data Dump .....	165
6	Assemblaggio del supporto .....	167
	Avvertenze .....	167
	Procedura di assemblaggio .....	167
	Controlli da effettuare dopo l'assemblaggio .....	173
	Ulteriori avvertenze .....	173
7	Appendice .....	174
	Soluzione dei problemi .....	174
	Polifonia .....	174
	Notazione inglese e notazione italiana .....	175
	Specifiche tecniche .....	176
	Scorciatoie da pannello di controllo .....	177
	Pannello di controllo e tastiera .....	177
	MIDI Implementation Chart .....	178

# Introduzione

## Caratteristiche principali

**Grande quantità di suoni.** Trenta suoni espressivi e di alta qualità, compreso un pianoforte a coda campionato in stereo. La funzione Layer permette di suonare insieme due suoni.

**Effetti.** C-320 include due processori di effetti digitali, che permettono di simulare il riverbero naturale di una sala da concerto (Reverb) e aggiungere spessore al suono (Chorus).

**Simulazione del pedale di risonanza.** Il C-320 incorpora gli stessi tre pedali di un pianoforte a coda, che controllano rispettivamente le funzioni di “una corda” (soft), tonale (sostenuto) e risonanza (damper). Il pedale di risonanza simula la risonanza naturale delle corde di un pianoforte acustico. Sia il pedale di risonanza che quello di “una corda” permettono di gradualizzare il loro effetto, a seconda di quanto a fondo vengono premuti (mezzopedale).

**Metronomo.** Il metronomo incorporato permette di selezionare il metro (segnatura metrica), il tempo, il volume, e di marcare il primo movimento della misura con un suono di campanello.

**Regolazione del tocco.** Potete scegliere tre diverse regolazioni del tocco, cioè della risposta della dinamica alla forza esercitata sulla tastiera.

**Accordature storiche.** Oltre al normale temperamento equabile, con C-320 è possibile selezionare due temperamenti storici (Kirnberger e Werckmeister) per eseguire la musica classica in modo filologicamente accurato. Inoltre, quando si seleziona un suono di pianoforte acustico, viene selezionata automaticamente l'accordatura stirata.

**Intonazione regolabile.** La funzione Transpose permette di cambiare l'intonazione del pianoforte in semitoni, mentre la funzione Pitch Control permette di eseguire aggiustamenti fini dell'intonazione.

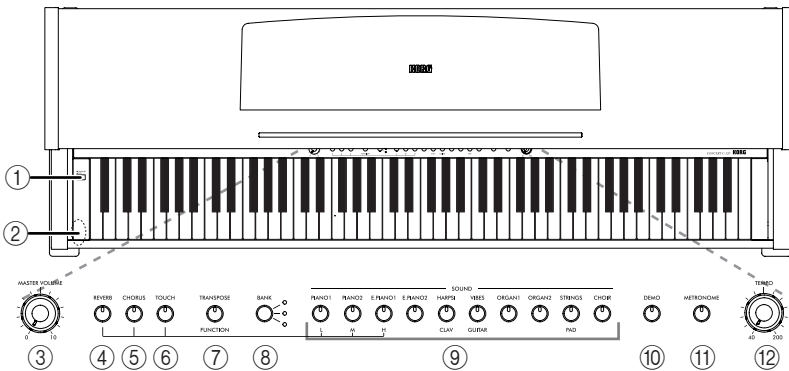
**MIDI.** C-320 è compatibile con il protocollo MIDI, lo standard che permette di collegare strumenti musicali diversi e computer. Il MIDI permette a due o più dispositivi di controllare od essere controllati, e permette di usare il C-320 come generatore sonoro multitimbrico a 16 parti.

**Potente amplificazione integrata.** C-320 include un potente amplificatore da 25 Watt, con due altoparlanti da 13cm.

**Due cuffie stereo.** Potete collegare due cuffie stereo, per suonare con l'insegnante o con un altro musicista.

# Prospetti

## Pannello frontale



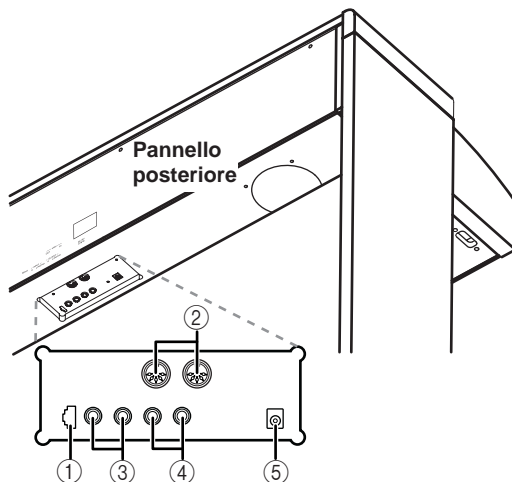
- 1 **Interruttore POWER:** Interruttore di accensione/spengimento.
- 2 **Connettori PHONES:** Collegate le cuffie stereo a queste prese.
- 3 **Manopola MASTER VOLUME:** Regola il volume delle uscite audio (Output) e delle cuffie (Phones).
- 4 **Tasto REVERB:** Attiva/disattiva il riverbero. Il riverbero aggiunge un ambiente al suono.
- 5 **Tasto CHORUS:** Attiva/disattiva il chorus. Il chorus dona spessore al suono.
- 6 **Tasto TOUCH:** Permette di regolare la sensibilità della tastiera.
- 7 **Tasto TRANSPOSE/FUNCTION:** Tasto multifunzione, da usare per cambiare la trasposizione e l'intonazione fine, per programmare i parametri del MIDI, e per eseguire altre regolazioni.

*Nota:* Quando lo strumento viene spento, tutti i parametri vengono riportati al valore iniziale.

- 8 Tasto BANK:** Seleziona uno dei tre banchi di suoni.
- 9 Tasti di SELEZIONE SUONI:** Premete uno di questi tasti per selezionare un suono (modo Single). Potete premere insieme due tasti, per suonare due suoni allo stesso tempo (modo Layer).
- 0 Tasto DEMO:** Attiva/disattiva il modo Demo, che permette di ascoltare i brani dimostrativi. Selezionate i brani con i tasti di selezione suoni (vedi punto 7).
- A Tasto METRONOME:** Attiva/disattiva il metronomo.
- B Manopola TEMPO:** Regola il tempo del metronomo.



## Pannello inferiore



- 1 Connettore pedali:** Collegate i pedali forniti di serie a questo connettore.
- 2 Connettori MIDI (IN, OUT):** Connettori da usare per collegare altri dispositivi MIDI (sequencer, tastiere, ecc.). OUT: Uscita dati (da collegare al connettore MIDI IN di un altro dispositivo MIDI). IN: Ingresso dati (da collegare al connettore MIDI OUT di un altro dispositivo MIDI).
- 3 Connettori INPUT (L/MONO, R):** Ingressi audio. Collegate questi connettori ad una sorgente audio esterna, per esempio un lettore CD/MP3, un mixer, od un'altra tastiera.

---

**Attenzione:** Non collegate a questi ingressi l'uscita di un amplificatore o un finale di potenza!

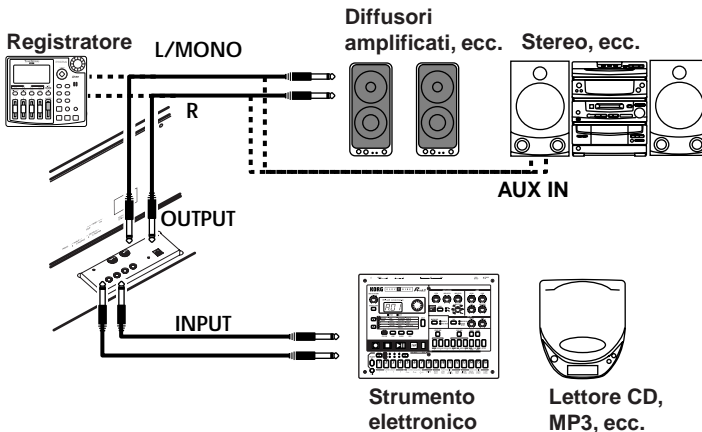
---

- 4 Connettori OUTPUT (L/MONO, R):** Uscite audio. Collegate questi connettori ad un sistema di amplificazione. (Nel caso di impianti hi-fi, usate gli ingressi AUX o TAPE, e non l'ingresso PHONO). Per prelevare il segnale audio del C-320 in mono, collegare solo il connettore L/MONO. Usate la manopola MASTER VOLUME per regolare il volume di uscita.
- 5 Connettore AC ADAPTER:** Collegate l'alimentatore AC/DC fornito di serie a questo connettore.

## Prima di iniziare

### Collegare lo strumento ad un sistema di amplificazione esterno

Se desiderate amplificare C-320 con un sistema di amplificazione esterno, collegate le prese OUTPUT agli ingressi di un mixer, di un impianto hi-fi, o di diffusori amplificati di alta qualità. In un impianto hi-fi usate le prese AUX o TAPE (e non la presa PHONO). Per amplificare lo strumento in mono, collegate la sola presa L/MONO.



### Usare le cuffie

Per suonare o esercitarsi durante le ore notturne, o quando non desiderate essere uditi da altre persone che si trovano nella stessa stanza, collegate delle cuffie di alta qualità (impedenza suggerita: 32Ω) ad uno degli appositi connettori. I connettori sono due jack standard da 1/4" (6,3mm). Se le vostre cuffie sono dotate di un adatta-

tore da mini-jack a jack da 1/4", afferrate l'adattatore quando inserite o disinserite le cuffie.

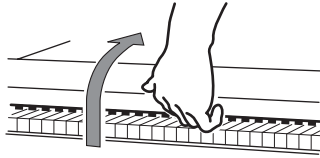
---

**Attenzione:** Quando usate le cuffie, evitate l'ascolto ad alto volume per un tempo prolungato.

---

## Aprire il coperchio

Alzate leggermente il coperchio, afferrandolo nella parte centrale (dove si trova una rientranza), poi tenetelo sollevato e spingetelo delicatamente in avanti, fino a farlo rientrare completamente all'interno del C.320.



Per richiudere il coperchio, sollevatelo leggermente, afferrandolo nella parte centrale (dove si trova la rientranza), poi tiratelo con delicatezza verso di voi.

---

**Nota:** Attenzione a non incastrarvi le dita o una mano durante l'apertura o la chiusura del coperchio.

---

---

**Nota:** Il coperchio può venir danneggiato dall'uso di forza eccessiva durante la sua apertura o chiusura.

---

---

**Nota:** Prima di aprire il coperchio, assicuratevi che non vi siano oggetti appoggiati sopra, per esempio fogli di carta o monete. In caso contrario, questi oggetti potrebbero cadere all'interno dello strumento.

---

## Accendere lo strumento

Collegate lo spinotto dell'alimentatore esterno all'apposito connettore di C-320, poi la spina del cavo di alimentazione alla presa di corrente.

Una volta collegato l'alimentatore e il cavo di alimentazione, premete l'interruttore POWER per accendere lo strumento. Quando lo strumento è acceso, gli indicatori luminosi del pannello di controllo sono accesi. Per spegnere lo strumento premete nuovamente l'interruttore POWER.

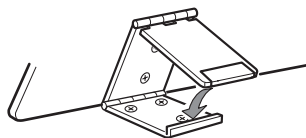
---

**Nota:** Allo spegnimento dello strumento, tutti i parametri vengono riportati alla condizione iniziale.

---

## Sollevare il leggio

Alzate il leggio, ed usate i due supporti sul retro per tenerlo sollevato.



## Regolare il volume

Ruotate la manopola MASTER VOLUME verso destra per aumentare il volume; verso sinistra per diminuire il volume. Il valore massimo è “10”; il minimo (silenzio) è “0”. Questo controllo regola il livello di uscita dei diffusori incorporati, delle uscite OUTPUT e della cuffia.

---

**Nota:** È sempre meglio accendere lo strumento con un volume basso e poi aumentare il volume gradualmente.

---

## Ascoltare i brani dimostrativi

C-320 contiene 30 brani dimostrativi preregistrati. Ascoltateli per rendervi conto della ricchezza timbrica e delle potenzialità espressive dello strumento.

**Ascoltare tutti i brani.** Potete avviare l'esecuzione di tutti i brani con un solo comando.

- 1 Premete il tasto DEMO per entrare in modo Demo. Gli indicatori luminosi dei tasti di selezione suoni iniziano a lampeggiare in sequenza da sinistra a destra. Dopo alcuni secondi, ha inizio la riproduzione dei brani. Vengono eseguiti tutti i brani dimostrativi. Dopo l'ultimo brano, la riproduzione ricomincia dal primo brano.

---

**Suggerimento:** Tenete premuto il tasto TRANSPOSE/FUNCTION, e premete la nota E1 sulla tastiera. Tutti i brani dimostrativi verranno eseguiti immediatamente.

---

- 2 Durante la riproduzione, è possibile premere uno dei tasti di selezione suoni per mettere in ripetizione il solo banco corrente di dieci brani dimostrativi. (Ci sono tre banchi, ognuno comprendente dieci brani dimostrativi: 1-10, 11-20, 21-30). Per esempio, se premete il tasto CHOIR mentre sta suonando il brano numero 1, il brano numero 10 viene messo immediatamente in riproduzione. Al termine, verranno eseguiti in ciclo tutti i brani del banco 1-10.
- 3 Premete il tasto DEMO per interrompere la riproduzione e uscire dal modo Demo.

**Ascoltare il brano selezionato.** Potete selezionare un brano dimostrativo da ascoltare singolarmente.

- 1 Innanzitutto, occorre selezionare uno dei tre banchi di brani dimostrativi.
  - Per selezionare il primo banco (1-10), premete una volta il tasto DEMO. Gli

indicatori luminosi iniziano a lampeggiare in sequenza da sinistra a destra.

- Per selezionare il secondo banco (11-20), premete il tasto DEMO una seconda volta. Gli indicatori luminosi iniziano a lampeggiare insieme.
  - Per selezionare il terzo banco (21-30), premete il tasto DEMO una terza volta. Gli indicatori luminosi adiacenti iniziano a lampeggiare alternativamente.
- 2 Premete il tasto di selezione suoni corrispondente al brano che desiderate selezionare nel banco corrente. L'indicatore luminoso del brano selezionato rimane acceso, mentre gli altri indicatori luminosi si spengono.
- Al termine del brano selezionato, tutti i brani del banco selezionato vengono eseguiti in ciclo.

Tasto	Banco 1 (1-10)	Banco (11-20)	Banco 3 (21-30)
PIANO 1	F.Mendelssohn-Bartholdy: Prelude Op.104a, no.2	Korg Original (M. Tem-pia): Reflection	C.A. Debussy: Arabesque no.1
PIANO 2	F. Chopin: Nocturne Op.9, no.2	S. Joplin: The Entertainer	J.S. Bach: Two-voice invention no.13
E.PIANO 1	C.A. Debussy: Clair de lune	Korg Original (M. Tem-pia): Jumper	F. Chopin: Fantasie-Impro-promptu Op.66
E.PIANO 2	Korg Original (M. Tem-pia): Lullaby for a Little Star	Korg Original (M. Tem-pia): All the Ones You Don't Know	J.S. Bach: Prelude in C major (from Das Wohltem-perierte Klavier)
HARPSI /CLAV	L. van Beethoven: Für Elise	J.S. Bach: Italian Concert	Korg Original (M. Tem-pia): Rubber Bob
VIBES /GUITAR	F. Chopin: Etude Op.10, no.3	Korg Original (M. Tem-pia): Jazz in Spain	R. Schumann: Trau-ma-rei, Op.15, no.7
ORGAN 1	W.A. Mozart: A la tur-que (from the Sonata in A-major K.331)	Korg Original (M. Tem-pia): Cool "B"	F. Mendelssohn-Bar-tholdy: Spring Song, Op.62, no.6
ORGAN 2	F. Chopin: Valse no.6 in D,-major Op.64, no.1	F. Mendelssohn-Bar-tholdy: Wedding March	Korg Original (M. Tem-pia): Sunflowers
STRINGS /PAD	Korg Original (M. Tem-pia): Old Feather Blues	J.S. Bach: Air on the G string	P.D. Paradisi: Toc-cata in A major
CHOIR	Korg Original (M. Tem-pia): Noise of time	Korg Original (M. Tem-pia): Voice Texture	Korg Original (M. Tem-pia): Wet Raccoon Rag

- 3 Premete il tasto DEMO per interrompere la riproduzione e uscire dal modo Demo.

**Nota:** Durante la riproduzione dei brani dimostrativi, non è possibile usare i tasti di selezione suoni per selezionare suoni diversi, né i tasti REVERB e CHORUS per attivare o disattivare gli effetti.

**Regolare il tempo dei brani dimostrativi.** Usate la manopola TEMPO per cambiare il tempo del brano dimostrativo selezionato. In genere, il tempo del brano dimostrativo in esecuzione non corrisponde a quello indicato dalla manopola TEMPO.

---

**Nota:** Non è possibile usare il metronomo durante l'ascolto dei brani dimostrativi.

---

**Nota:** Quando si seleziona un brano dimostrativo, viene automaticamente richiamato il suo tempo originale.

---

## Operazioni di base

### Selezionare un solo suono (modo Single)

Potete selezionare uno dei trenta suoni contenuti nello strumento.

- 1 Premete uno dei tasti di selezione suoni per selezionare uno dei suoni. L'indicatore luminoso del tasto premuto si accende.
- 2 Usate il tasto BANK per selezionare uno dei tre banchi disponibili (1-10, 11-20, 21-30). Premuto una prima volta, seleziona il Banco 2; premuto una seconda volta seleziona il Banco 3; premuto una terza volta, seleziona nuovamente il Banco 1.

Tasto	Banco 1	#	Banco 2	#	Banco 3	#
PIANO 1	Grand Piano	2	Bright Piano	2	Mellow Piano	2
PIANO 2	Honky-Tonk	2	Detune Piano	2	E.Grand Piano	1
E.PIANO 1	Club E.Piano	2	Stage E.Piano	1	Thin E.Piano	2
E.PIANO 2	80's E. Piano	2	Digital E.Piano	1	Vintage E. Piano	1
HARPSI/CLAV	Harpsichord	1	Clav.	1	Wah Clav.	1
VIBES/GUITAR	Vibraphone	1	Marimba	1	Acoustic Guitar	1
ORGAN 1	Jazz Organ 1	2	Jazz Organ 2	2	Jazz Organ 3	2
ORGAN 2	Church Organ 1	3	Church Organ 2	1	Church Organ 3	1
STRINGS/PAD	Slow Strings	2	Warm Pad	2	Strings	1
CHOIR	Choir Hoo	1	Choir Doo	2	Choir Pad	2

(#) Queste colonne indicano il numero di oscillatori per voce utilizzati dal suono

### Selezionare due suoni allo stesso tempo (modo Layer)

Potete suonare due suoni sulla tastiera allo stesso tempo. In questo modo, viene attivato il modo Layer.

---

**Nota:** Quando si attiva il modo Layer, il numero totale di note che possono suonare allo stesso tempo viene ridotto, e dipende dal numero di oscillatori per voce utilizzato da ognuno dei suoni selezionati.

---

**Nota:** Non è possibile selezionare due suoni accessibili mediante lo stesso tasto.

---

- 1 Premete uno dei tasti di selezione suoni per selezionare il primo suono. L'indicatore luminoso del tasto premuto si accende. Usate il tasto BANK per selezionare un suono contenuto in un altro banco.
- 2 Premete un altro tasto di selezione suoni per selezionare il secondo suono. L'indicatore luminoso del tasto premuto si accende. Usate il tasto BANK per selezionare un suono contenuto in un altro banco.
- 3 Premete insieme i due tasti, per selezionare i due suoni. Gli indicatori luminosi dei due tasti si accendono.

---

**Nota:** I passi 1 e 2 non sono necessari, se il banco giusto è già selezionato.

---

**Tornare al modo Single.** Per tornare al modo Single, basta premere un solo tasto di selezione suoni.

**Regolare il volume dei timbri in modo Layer.** Per regolare il bilanciamento tra i suoni in modo Layer, tenete premuto il tasto del suono di cui volete abbassare il volume, e premete ripetutamente il tasto del suono di cui volete alzare il volume.

---

**Nota:** Questa regolazione viene memorizzata anche dopo aver disattivato il modo Layer, ma viene riportata ai valori iniziali quando si spegne lo strumento. Per salvare queste regolazioni, usate la funzione Data Dump (vedi "MIDI Data Dump" a pagina 165).

---

## Scegliere il riverbero e il chorus

C-320 ha due effetti: riverbero e chorus. Il riverbero simula l'effetto di riverberazione del suono in una stanza, mentre il chorus riproduce un effetto di modulazione che rende il suono più ricco.

---

**Nota:** Le impostazioni degli effetti eseguite in modo Single rimangono memorizzate quando si seleziona il modo Layer, mentre le impostazioni eseguite in modo Layer non vengono conservate.

All'accensione dello strumento, gli effetti vengono riportati alle impostazioni iniziali. Per salvare le vostre impostazioni personali, usate la funzione Data Dump (vedi "MIDI Data Dump" a pagina 165).

---



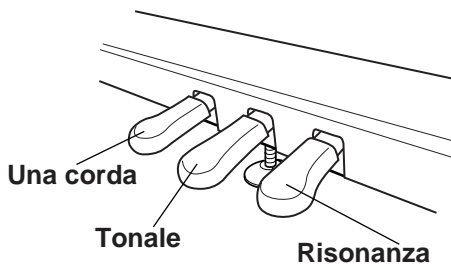
- 1 Tenete premuto il tasto REVERB o CHORUS, e premete uno dei tasti di selezione suoni PIANO 1/L, PIANO 2/M, o E.PIANO1/H per selezionare l'intensità del riverbero o del chorus.

Tasto	Intensità del riverbero	Intensità del chorus
PIANO 1/L	Riverbero leggero	Chorus leggero
PIANO 2/M	Riverbero normale	Chorus normale
E.PIANO 1/H	Riverbero intenso	Chorus intenso

- 2 Per controllare l'intensità corrente del riverbero o del chorus, tenete premuto il tasto REVERB o CHORUS, e controllate quale tasto abbia l'indicatore luminoso acceso.
- 3 Per disattivare il riverbero o il chorus, premete il tasto REVERB o CHORUS. L'indicatore luminoso del tasto premuto si spegne.

## Usare i pedali

Il C-320 è dotato di tre pedali: una corda, tonale e risonanza. È possibile usare il mezzo pedale, che permette di attivare la risonanza delle corde, o l'effetto di una corda, in maniera graduale.



**Pedale una corda.** Quando si preme il pedale, il suono diventa più morbido e scuro. A seconda di quanto viene premuto il pedale, cambia la morbidezza del suono (effetto di mezzo-pedale).

**Pedale tonale.** Le note che stanno già suonando quando si abbassa il pedale vengono tenute, e rimangono tenute finché non si rilascia il pedale. Le note suonate quando il pedale è già abbassato non vengono tenute.

**Pedale di risonanza.** Il suono viene sostenuto finché il pedale è tenuto premuto, con una sonorità più ricca del normale, dovuta alla risonanza delle corde lasciate libere dalla pressione del pedale. A seconda di quanto viene premuto il pedale, cambia l'intensità dell'effetto di risonanza (effetto di mezzo-pedale).

## Impostare i pedali in modo Layer

In modo Layer, è possibile selezionare il suono (o i suoni) su cui attivare il pedale.

**Nota:** All'accensione dello strumento, le impostazioni del pedale vengono inizializzate. Per salvare le impostazioni personali, usate la funzione Data Dump (vedi "MIDI Data Dump" a pagina 165).

- 1 Tenete premuto il tasto TRANSPOSE/FUNCTION, e premete il pedale. Ad ogni pressione del pedale, si accende l'indicatore luminoso del tasto (o dei tasti) di selezione suoni per cui il pedale è attivato.
- 2 Una volta assegnato il pedale al suono o ai suoni desiderati, rilasciate il tasto TRANSPOSE/FUNCTION.

## Il metronomo

C-320 incorpora un metronomo, con il quale si può battere il tempo quando si studia un pezzo.

**Attivare e disattivare il metronomo.** Premete il tasto METRONOME per avviare o fermare il metronomo. All'accensione dello strumento, il metronomo è regolato sul tempo della manopola METRONOME, ma è possibile selezionare un tempo diverso con la procedura descritta più avanti. Dopo aver ascoltato i brani dimostrativi, il tempo è quello dell'ultimo brano ascoltato.

**Regolare il volume del metronomo.** Mentre il metronomo sta suonando, tenete premuto il tasto METRONOME e premete ripetutamente il tasto STRINGS/PAD (o la nota B5) per ridurre il volume, oppure il tasto CHOIR (o la nota C6) per aumentarlo. Per riportare il volume alla regolazione iniziale, premete insieme i tasti STRINGS/PAD e CHOIR (o le note B5 e C6 sulla tastiera) mentre continuate a tenere premuto il tasto METRONOME.



Tasto	Effetto	Tasto	Effetto
STRINGS/PAD / B5	Volume maggiore	CHOIR / C6	Volume minore

**Regolare il tempo mediante il cursore TEMPO.** Usate la manopola TEMPO per regolare il tempo. L'ambito entro cui potete variare il tempo è ♩ = 40 ~ 200.

**Inserimento numerico del tempo.** In alcuni casi, il tempo potrebbe non corrispondere esattamente alle indicazioni del cursore TEMPO. Se desiderate inserire un valore di tempo preciso, potete inserire il valore in forma numerica.

- 1 Tenete premuto il tasto METRONOME.
- 2 Usate la tastiera per inserire un numero di tre cifre corrispondente al valore di tempo desiderato (inserite uno “0” prima di un numero a due cifre, p.es. “090”).



Tasto	Numero	Tasto	Numero
C5	0	C#5	1
D5	2	D#5	3
E5	4	F5	5
F#5	6	G5	7
G#5	8	A5	9

Per esempio, per selezionare un valore di tempo di 168, tenete premuto il tasto METRONOME, poi premete C#5 (1), F#5 (6), G#5 (8). Per selezionare un valore di tempo di 85, tenete premuto il tasto METRONOME, poi premete C5 (0), G#5 (8), F5 (5).

**Selezionare una segnatura metrica.** Potete sottolineare il primo movimento della battuta con un accento.

Tasto	Segnatura metrica
PIANO 1	2 movimenti (2/4, 2/8...)
PIANO 2	3 movimenti (3/4, 3/8...)
E.PIANO 1	4 movimenti (4/4, 4/8...)
E.PIANO 2	6 movimenti (6/4, 6/8...)

- 1 Mentre il metronomo è in funzione, tenete premuto il tasto METRONOME e premete il tasto corrispondente alla segnatura metrica che desiderate usare (vedi la tabella precedente). Il primo movimento della battuta viene accentato.
- 2 Per disattivare l’accento, tenete premuto il tasto METRONOME e premete il tasto di selezione suoni il cui indicatore luminoso sia acceso.

---

**Nota:** All'accensione dello strumento, l'accento viene automaticamente disattivato.

---

**Sottolineare l'accento con un suono di campanello.** Il movimento accentato può essere sottolineato da un suono di campanello.

- 1 Mentre il metronomo sta suonando, tenete premuto il tasto METRONOME, poi premete il tasto di selezione suoni VIBES/GUITAR. L'indicatore luminoso del tasto si accende, e il primo movimento della battuta viene sottolineato da un campanello.
- 2 Per tornare all'accento normale, tenete premuto il tasto METRONOME e premete il tasto di selezione suoni HARPSI/CLAV per accenderne l'indicatore luminoso.

---

**Nota:** All'accensione dello strumento, il campanello viene disattivato automaticamente.

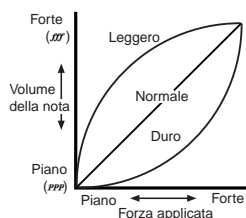
---

## Altre funzioni

### Regolazione del tocco

Potete regolare la risposta della tastiera al tocco. Tenete premuto il tasto TOUCH e premete il tasto corrispondente alla regolazione desiderata.

Tasto	Regolazione del tocco
PIANO 1/L	Leggero. È possibile produrre note a volume elevato anche suonando piano.
PIANO 2/M	Normale. Normale curva di dinamica del pianoforte.
E.PIANO 1/H	Duro. È possibile produrre note a volume elevato solo suonando molto forte.



Per controllare l'impostazione selezionata, tenete premuto il tasto TOUCH, e verificate quale degli indicatori luminosi elencati nella tabella precedente sia acceso.

**Nota:** All'accensione dello strumento, viene automaticamente selezionata la regolazione di tocco Normale.

In alternativa, potete usare il tasto TRANSPOSE/FUNCTION e la tastiera. Tenete premuto il tasto TRANSPOSE/FUNCTION, e premete sulla tastiera la nota corrispondente alla regolazione di tocco desiderata (vedi tabella).



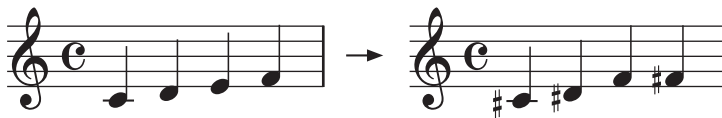
Tasto	Regolazione del tocco
B3	Leggero. È possibile produrre note a volume elevato anche suonando piano.

Tasto	Regolazione del tocco
C4	Normale. Normale curva di dinamica del pianoforte.
D4	Duro. È possibile produrre note a volume elevato solo suonando molto forte.

## Trasposizione

Può accadere che il brano da eseguire sia scritto in una tonalità complessa (che usa, cioè, molti tasti neri), o che desideriate cambiarne l'intonazione per renderlo più adatto ad un altro strumento o alla voce del cantante. In questi casi, potete trasporre il brano (cioè spostarne l'intonazione), in modo da usare una diteggiatura più comoda, o una diteggiatura che conoscete già per suonare in una tonalità diversa. Questa funzione è chiamata "Trasposizione".

Per esempio, se si attiva una trasposizione di un semitono in alto, le note che appaiono a sinistra producono il suono reale delle note mostrate a destra.



**Nota:** All'accensione dello strumento, la trasposizione viene annullata.

- 1 Tenete premuto il tasto TRANSCOPE/FUNCTION, e premete il tasto della tastiera che corrisponde alla trasposizione desiderata (vedi tabella). L'indicatore luminoso del tasto TRANSCOPE/FUNCTION rimane acceso, a ricordare che la trasposizione è attiva.



Tasto	Effetto
F#6 — B6	6 — 1 semitoni sotto
C7	Intonazione standard
C#7 — F7	1 — 5 semitoni sopra

- 2 Per tornare all'intonazione standard, tenete premuto il tasto TRANSCOPE/FUNCTION e premete il tasto C7. L'indicatore luminoso del tasto TRANSCOPE/FUNCTION si spegne.

## Intonazione fine

Per adeguare l'intonazione di C-320 a quella di un altro strumento, potete regolare l'intonazione in passi di 0,5 Hz, nell'ambito di  $A4 = 427,5 \sim 452,5$  Hz. L'intonazione standard è  $A4 = 440$  Hz.

**Nota:** All'accensione dello strumento, l'intonazione viene riportata automaticamente all'intonazione standard ( $A4 = 440$  Hz).

- 1 Tenete premuto il tasto TRANSPOSE/FUNCTION, e premete il tasto che corrisponde alla variazione di intonazione desiderata. Ogni volta che premete la nota B5 o C6, l'intonazione viene abbassata o innalzata di 0,5 Hz.
- 2 Per tornare all'intonazione standard, tenete premuto il tasto TRANSPOSE/FUNCTION e premete insieme i tasti B5 e C6.



Tasto	Intonazione fine
B5	Abbassa l'intonazione di 0,5 Hz
B5+C6	Intonazione standard ( $A4 = 440$ Hz)
C6	Alza l'intonazione di 0,5 Hz

## Selezione di un temperamento

Molte composizioni classiche sono state scritte per strumenti accordati su temperamenti diversi dal “temperamento equabile” normalmente in uso ai nostri giorni. Per riprodurre accuratamente la sonorità originale di queste composizioni, C-320 include i temperamenti classici Kirnberger e Werckmeister, in aggiunta al temperamento equabile, per un totale di tre temperamenti fra cui scegliere.

Per selezionare uno dei temperamenti disponibili, tenete premuto il tasto TOUCH e premete il tasto corrispondente al temperamento desiderato. Per tornare al temperamento equabile, tenete premuto il tasto TOUCH e premete il tasto di selezione suoni il cui indicatore luminoso sia acceso.

Tasto	Temperamento
Entrambi gli indicatori luminosi spenti	Temperamento equabile. Quasi tutti gli strumenti a tastiera dei nostri giorni seguono questa accordatura, in cui tutti i semitoni sono uguali, ed è consentita qualsiasi trasposizione.

Tasto	Temperamento
HARPSI/CLAV	Werckmeister. Si tratta della scala Werckmeister III ideata dall'organista e teorico della musica tedesco Andreas Werckmeister. Questa scala fu creata nel tardo periodo barocco per consentire una più facile trasposizione dei brani.
VIBES/GUITAR	Kirnberger. Si tratta della scala Kirnberger III ideata da Johann Phillip Kirnberger all'inizio del XVIII secolo, usata soprattutto per l'accordatura del clavicembalo.

Per verificare quale temperamento sia selezionato, tenete premuto il tasto TOUCH, e controllate quale indicatore luminoso sia acceso.

---

**Nota:** All'accensione, viene automaticamente selezionato il temperamento equabile.

---

**L'accordatura stirata.** Per produrre risonanze più naturali, i suoni dei tasti PIANO 1 e PIANO 2 fanno ricorso all'“accordatura stirata”, che rende le note più basse leggermente più basse rispetto al temperamento equabile, e le note più acute leggermente più alte. È in questo modo che il pianoforte viene accordato dagli accordatori professionali.



## MIDI

### Che cos'è il MIDI?

Il MIDI, acronimo di *Musical Instrument Digital Interface* (interfaccia digitale per strumenti musicali) è uno standard internazionale concepito per collegare e trasferire dati tra strumenti musicali elettronici, computer e altri dispositivi.

### Che cosa si può fare con il MIDI?

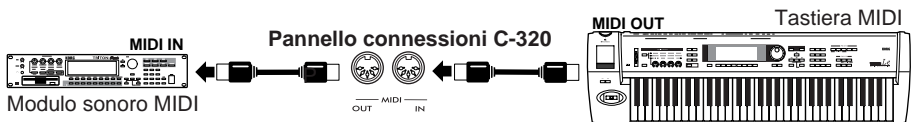
Grazie al MIDI, potete usare C-320 per controllare altri strumenti, usare altri strumenti per controllare C-320, usare un sequencer per creare complessi brani musicali.

Quando si usano la tastiera e il pedale di C-320, o si seleziona un suono, le note, l'attivazione del pedale e i cambi di suono vengono inviati ad un altro strumento, o vengono registrati da un sequencer.

### Collegamenti

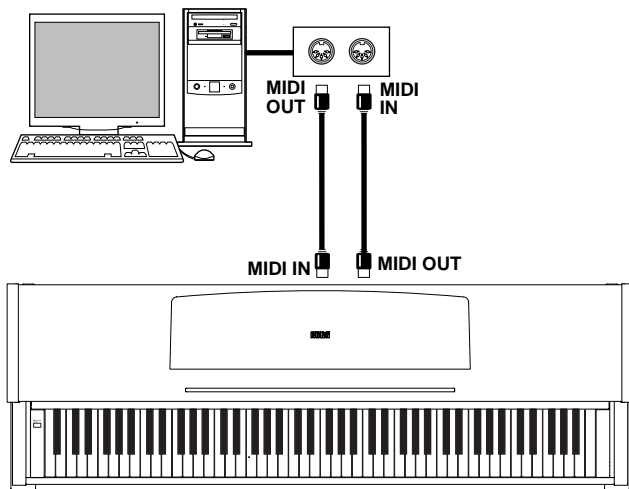
Collegate sempre la presa MIDI OUT di uno strumento alla presa MIDI IN di un altro. Non collegate mai due prese dello stesso strumento tra di loro.

Collegate la presa MIDI OUT del dispositivo trasmittente (master) al connettore MIDI IN del dispositivo ricevente (slave).



Per collegare C-320 ad un computer, occorrono un'interfaccia MIDI per il computer, un software di sequencing o notazione musicale, e due cavi MIDI standard. Col-

legare la presa MIDI OUT di C-320 alla presa MIDI IN del computer. Collegate la presa MIDI IN di SP-100 alla presa MIDI OUT del computer.



## Impostazioni standard del MIDI

All'accensione i parametri MIDI di C-320 sono programmati come segue:

Parametro	Impostazione
Canale di trasmissione	1
Canali di ricezione	Tutti (1-16)*
Local	ON
Omni	OFF

(\*) Sul canale 10 vengono ricevute solo le note del metronomo (D#5, E5).

## Selezionare il canale di trasmissione

Lo standard MIDI prevede 16 canali separati per la trasmissione e la ricezione dei dati. C-320 riceve sempre su tutti e 16 i canali, e trasmette su un solo canale. Per trasmettere dati da C-320, occorre selezionare uno dei 16 canali su cui trasmettere i dati.

Tenete premuto il tasto TRANSPOSE/FUNCTION, e premete il tasto nell'ambito C2–D#3 che corrisponde al canale MIDI desiderato.



Tasto	Canale	Tasto	Canale
C2	1	C#2	2
D2	3	D#2	4
E2	5	F2	6
F#2	7	G2	8
G#2	9	A2	10
A#2	11	B2	12
C3	13	C#3	14
D3	15	D#3	16

---

**Nota:** All'accensione, viene automaticamente selezionato il canale 1.

---

**Nota:** Normalmente, il canale 10 è assegnato automaticamente al metronomo (note D#5-E5).

---

**Nota:** In modo Layer, il secondo suono trasmette sul canale successivo a quello selezionato. Per esempio, se è selezionato il canale 7, il primo suono trasmette sul canale 7, mentre il secondo trasmette sul canale 8. Se è selezionato il canale 16, il primo suono trasmette sul canale 16, mentre il secondo trasmette sul canale 1 (una volta raggiunto l'ultimo canale, il conteggio ricomincia dal primo).

---

## Usare C-320 come generatore sonoro multitimbrico

Quando C-320 è controllato da un dispositivo MIDI esterno, può funzionare come generatore sonoro multitimbrico a 16 parti. Potete selezionare un suono diverso su ognuno dei 16 canali MIDI disponibili.

- 1 Usate un cavo MIDI per collegare la presa MIDI IN di C-320 alla presa MIDI OUT di un sequencer (o altro dispositivo master).
- 2 Trasmettete dati MIDI dal sequencer (o altro dispositivo) collegato. Vedi "Program Change" a pagina 162 per informazioni sulla selezione dei suoni mediante messaggi MIDI di Program Change. La ricezione dei messaggi di Program Change deve essere attiva su C-320 (lo è normalmente).

Consultate il manuale d'uso dell'altro dispositivo per maggiori informazioni su come inviare messaggi di Program Change.

## Local On/Off

Con il Local si può stabilire se la tastiera deve suonare il suono interno del pianoforte, e allo stesso tempo trasmettere dati attraverso il MIDI OUT (Local On), o se deve solo trasmettere dati attraverso il MIDI OUT, ma non suonare il suono interno del pianoforte (Local Off).

Il Local Off va scelto quando si vuole usare C-320 come tastiera muta, per pilotare un altro strumento MIDI. Va scelto anche quando C-320 è collegato ad un sequencer sia attraverso il MIDI IN che il MIDI OUT. Se non si ponesse C-320 in Local Off, le note già suonate dalla tastiera verrebbero rispedite ad SP-100 dal sequencer, creando un fastidioso effetto di eco.

Normalmente, va scelto il Local On (selezionato automaticamente all'accensione), in modo che suonando sulla tastiera si possano suonare i suoni interni di C-320.

Tenete premuto il tasto TRANSPOSE/FUNCTION e premete il tasto di selezione suoni PIANO 1. Ad ogni pressione del tasto, lo stato del Local alterna fra On e Off.

Stato del Local	Stato dell'indicatore luminoso di PIANO 1
Local On	Acceso
Local Off	Spento

---

**Nota:** All'accensione, viene automaticamente selezionato il Local On.

---

## Program Change

È possibile selezionare via MIDI i suoni di C-320, inviando allo strumento un messaggio di Program Change sul canale a cui desiderate assegnare il suono. La seguente tabella elenca i numeri di Program Change corrispondenti ai suoni di C-320 (numerazione 0-29; se il dispositivo trasmettente usa la numerazione 1-30, occorre aumentare il numero da trasmettere di uno).

**Trasmissione dei messaggi di Program Change.** Per selezionare un suono, potete inviare un messaggio MIDI di Program Change ad un dispositivo MIDI collegato al MIDI OUT di C-320. Quando si seleziona uno dei suoni interni di C-320 mediante i tasti di selezione suoni, viene trasmesso un messaggio MIDI di Program Change, come mostrato nella seguente tabella.

**Ricezione dei messaggi di Program Change.** Quando un messaggio di Program Change viene ricevuto da un dispositivo esterno, viene selezionato il corrispondente suono interno di C-320, come mostrato dalla seguente tabella. Solo i numeri di Program Change (PC) compresi nell'ambito 0–29 hanno effetto su C-320, mentre gli altri numeri (30-127) vengono ignorati.

PC#	Tasto	Banco	Suono
0		1	Grand Piano
1	PIANO 1	2	Bright Piano
2		3	Mellow Piano
3		1	Honky-Tonk
4	PIANO 2	2	Detune Piano
5		3	E.Grand Piano
6		1	Club E.Piano
7	E.PIANO 1	2	Stage E.Piano
8		3	Thin E.Piano
9		1	80's E.Piano
10	E.PIANO 2	2	Digital E.Piano
11		3	Vintage E.Piano
12		1	Harpichord
13	HARPSI/CLAV	2	Clav.
14		3	Wah Clav.
15		1	Vibraphone
16	VIBES/GUITAR	2	Marimba
17		3	Acoustic Guitar
18		1	Jazz Organ 1
19	ORGAN1	2	Jazz Organ 2
20		3	Jazz Organ 3
21		1	Church Organ 1
22	ORGAN2	2	Church Organ 2
23		3	Church Organ 3
24		1	Slow Strings
25	STRINGS/PAD	2	Warm Pad
26		3	Strings

PC#	Tasto	Banco	Suono
27	CHOIR	1	Choir Hoo
28		2	Choir Doo
29		3	Choir Pad

**Attivazione/disattivazione dei Program Change.** Per trasmettere e ricevere questo tipo di dati, occorre attivare la trasmissione e ricezione dei messaggi di Program Change. In caso contrario, è possibile disattivare i Program Change.

Tenete premuto il tasto TRANSPOSE/FUNCTION, e premete il tasto di selezione suoni PIANO 2. Ad ogni pressione del tasto, viene selezionato lo stato di Attivo e Non attivo.

Stato del Program Change	Stato dell'indicatore luminoso di PIANO 2
Attivo	Acceso
Non attivo	Spento

---

**Nota:** All'accensione dello strumento, la ricezione dei Program Change viene attivata su tutti i canali MIDI.

---

## Control Change

Quando si usa il pedale di risonanza, si regola il bilanciamento dei suoni in modo Layer, o si eseguono altre regolazioni sul pannello di controllo, viene inviato un messaggio di Control Change ad un dispositivo MIDI collegato al MOIDI OUT di C-320. Allo stesso modo, C-320 può ricevere messaggi di Control Change da un dispositivo MIDI collegato al suo MIDI IN, per controllare l'effetto del pedale di risonanza, la regolazione del volume e altri aspetti del funzionamento dello strumento.

**Attivazione/disattivazione dei Control Change.** Per trasmettere e ricevere questo tipo di dati, occorre attivare la trasmissione e ricezione dei messaggi di Control Change. In caso contrario, è possibile disattivare i Control Change.

Tenete premuto il tasto TRANSPOSE/FUNCTION, e premete il tasto di selezione suoni PIANO 1. Ad ogni pressione del tasto, viene selezionato lo stato di Attivo e Non attivo

Stato del Control Change	Stato dell'indicatore luminoso di E.PIANO 1
Attivo	Acceso
Non attivo	Spento

**Nota:** All'accensione dello strumento, la ricezione dei Control Change viene attivata su tutti i canali MIDI.

## MIDI Data Dump

Potete salvare le impostazioni personali dei suoni (nei modi Single o Layer) su un dispositivo di memorizzazione MIDI esterno, come un sequencer o un MIDI data filer. In seguito, potrete ricaricare questi dati in C-320, per recuperare una serie di dati memorizzati.

**Attenzione:** Per evitare di perdere dati, leggete attentamente le istruzioni fornite con il MIDI data filer. Caricare dati nella memoria del C-320 cancella tutti i dati preesistenti.

**Suggerimento:** Per evitare problemi, è meglio disattivare la ricezione dei dati di Sistema Esclusivo nel dispositivo collegato.

La seguente tabella mostra i dati salvati con il Data Dump.

Categoria	Dati
Modo Single	Impostazioni del riverbero e del chorus (stato di on/off, livello della mandata)
Modo Layer	Bilanciamento tra i suoni, stato di on/off del pedale di risonanza per ogni suono.

**Salvataggio dei dati nel data filer.** Ecco come salvare i dati di C-320.

- 1 Usate un cavo MIDI per collegare il MIDI OUT di C-320 al MIDI IN del data filer.
- 2 Preparate il data filer per ricevere dati MIDI.
- 3 In C-320, tenete premuto il tasto TRANSPOSE/FUNCTION, e premete il tasto di selezione suoni VIBES/GUITAR. L'indicatore luminoso dei tasti TRANSPOSE/

FUNCTION e VIBES/GUITAR inizia a lampeggiare, indicando che C-320 è pronto per il data dump.

- 4 Premete il tasto TOUCH. Il data dump ha inizio, e le impostazioni dei suoni vengono trasmesse al data filer.

Durante l'operazione di data dump, non è possibile suonare C-320 o attivare altre funzioni. Al termine del data dump, si ritorna al funzionamento normale.

Potete interrompere un'operazione di data dump prima del suo avvio, premendo il tasto TRANSPOSE/FUNCTION o il tasto VIBES/GUITAR.

**Caricamento dei dati dal data filer.** Potete caricare in C-320 i dati in precedenza salvati in un data filer.

- 1 Usate un cavo MIDI per collegare il MIDI IN di C-320 al MIDI OUT del data filer.
- 2 In C-320, tenete premuto il tasto TRANSPOSE/FUNCTION e premete il tasto di selezione suoni VIBES/GUITAR. L'indicatore luminoso dei tasti TRANSPOSE/FUNCTION e VIBES/GUITAR inizia a lampeggiare, e C-320 si pone in attesa dei dati.
- 3 Preparate il data filer ad inviare i dati di impostazione dei suoni in precedenza salvati da C-320. Leggete le istruzioni fornite con il data filer per informazioni sulla trasmissione dei dati.

C-320 riceve i dati.

Al termine del data dump, C-320 ritorna allo stato in cui si trovava prima del data dump.

Durante l'operazione di data dump, non è possibile suonare C-320 o attivare altre funzioni. Al termine del data dump, si ritorna al funzionamento normale.

Potete interrompere un'operazione di data dump prima del suo avvio, premendo il tasto TRANSPOSE/FUNCTION o il tasto VIBES/GUITAR.



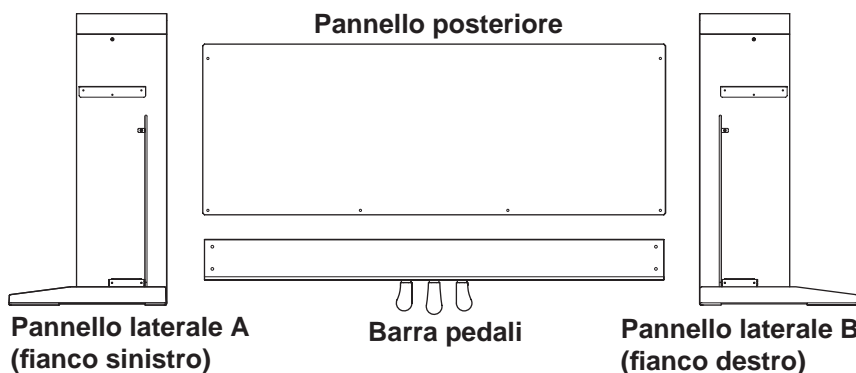
## Assemblaggio del supporto

### Avvertenze

- Quando il pianoforte viene posizionato sul supporto, fate attenzione a non schiacciarvi le dita.
- Assicuratevi di montare le parti nell'orientamento giusto, e seguite le istruzioni nell'ordine dato.
- Non esercitate pressione sulla parte frontale del pianoforte prima di stringere le viti, o potreste far cadere il pianoforte.

### Procedura di assemblaggio

- 1 Aprite lo scatolone di imballaggio, ed estraetene il contenuto. Assicuratevi di essere in possesso di tutte le parti elencate di seguito.

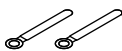


## Accessori per il montaggio

Viti (a)  
(M6 x 20) – 4pz.



Fermacavi – 2pz.



Viti (b)  
(M4 x 14) – 6pz.



Bulloni fissaggio  
piano – 2pz.



Cappucci – 4pz.

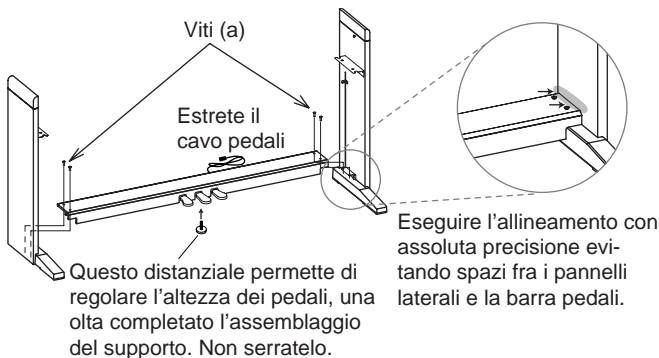


Distanziale – 1pz.



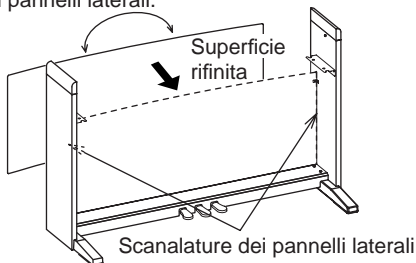
**Nota:** Per il montaggio è richiesto un cacciavite a croce.

- 2 Avvitare completamente il distanziale alla barra pedali (senza serrare), e collegare il cavo dei pedali. Usate le viti (a) per fissare i pannelli laterali alla barra pedali. Assicuratevi che non ci siano spazi tra i pannelli laterali e la barra pedali.



- 3 Prendete il pannello posteriore, e tenendo la parte rifinita (superficie in legno levigato) in avanti, piegatelo leggermente per farlo entrare nelle apposite scanalature dei pannelli laterali.

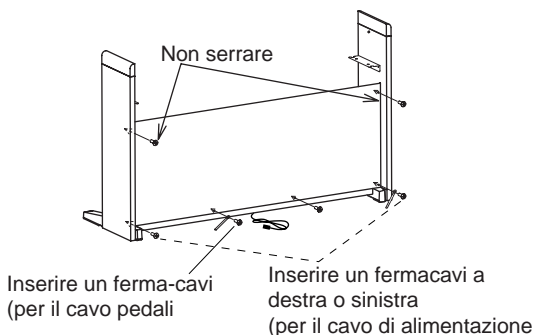
Inclinate leggermente il pannello posteriore, e fatelo entrare nelle scanalature dei pannelli laterali.



- 4 Usate le viti (b) per fissare i pannelli laterali.

Iniziate a serrare le viti del bordo inferiore del pannello posteriore (quattro punti). Inserite un fermacavi sotto due delle viti, per fissarlo al supporto e consentire il successivo fissaggio dei cavi. Inserite il fermacavi destinato al cavo di alimentazione sul lato destro o sinistro, a seconda di dove si trova la presa di corrente che intendete usare.

Poi fissate il bordo superiore del pannello posteriore (due punti). Non serrate ancora queste viti, dato che occorrerà eseguire alcuni aggiustamenti dopo aver posizionato il pianoforte sul supporto.



- 5 Assicuratevi che il supporto sia perfettamente in squadra, e che non ci siano spazi fra i vari pezzi. A questo punto serrate tutte le viti, ad eccezione delle due viti sul bordo superiore del pannello posteriore che avete lasciato lente.

## 6 Unite il pianoforte al supporto.

Allineate la testa delle viti che escono dall'interno dei pannelli laterali del supporto, alle apposite scanalature delle staffe metalliche situate nelle estremità destra e sinistra del pianoforte. Appoggiate delicatamente il pianoforte sul supporto. Se lo strumento è correttamente allineato, le viti all'interno dei pannelli laterali si incastreranno saldamente nelle scanalature delle staffe metalliche.

È più facile eseguire questa operazione, se si esercita una pressione su uno dei pannelli laterali mentre si fa scivolare il pianoforte sul supporto stesso.

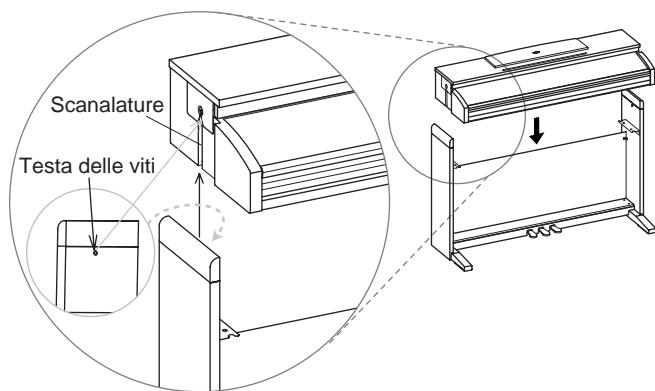
---

**Nota:** Tenete sempre lo strumento in piano, mentre abbassate insieme le estremità destra e sinistra del pianoforte. Fate attenzione a non schiacciarvi le dita o far cadere lo strumento.

---

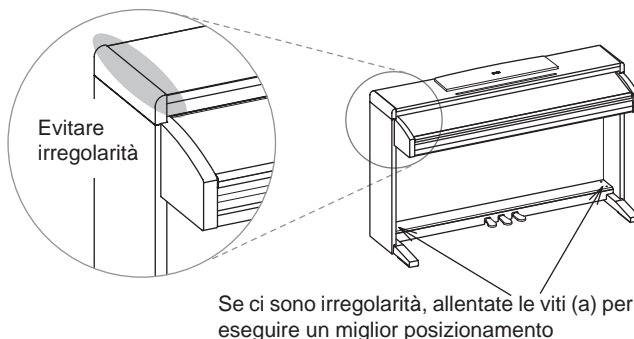
**Nota:** I pannelli laterali possono venir graffiati con facilità. Fate attenzione a non danneggiarli.

---



## 7 Assicuratevi che non ci siano spazi o irregolarità fra la parte inferiore del pianoforte e la sommità dei pannelli laterali del supporto.

Se notate delle irregolarità, allentate le viti (a), poi fate aderire meglio i pannelli laterali alla barra pedali.



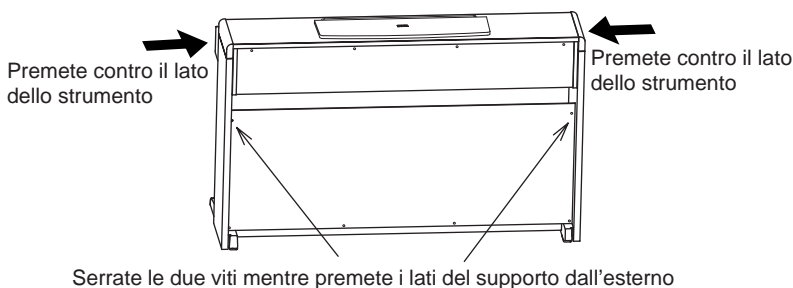
Se ci sono spazi evidenti fra il pianoforte e i pannelli laterali del supporto, o se l'aderenza è irregolare, è probabile che lo strumento non sia stato posizionato correttamente sul supporto. Se è così, sollevate il pianoforte e riposizionatelo correttamente sul supporto.

---

**Nota:** Sollevare un solo lato è molto pericoloso e può danneggiare le staffe metalliche dello strumento. Si deve sempre sollevare e abbassare insieme entrambi i lati dello strumento, tenendo lo strumento sempre perfettamente in piano.

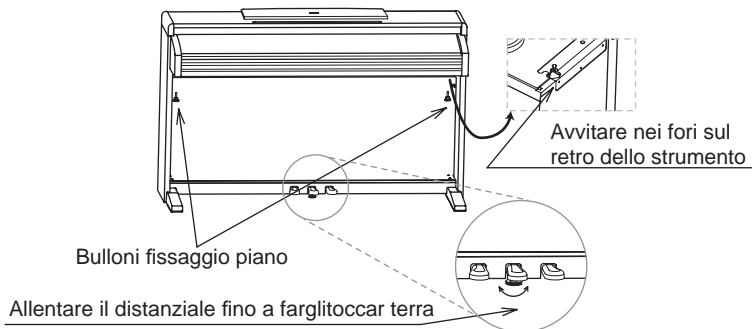
---

- 8 A questo punto premete i lati del supporto per assicurarvi che siano perfettamente aderenti, poi serrate le due viti del pannello posteriore lasciate in precedenza lente.



- 9 Stringete i bulloni di fissaggio che si trovano sotto lo strumento.  
Poi allentate il distanziale dei pedali, e regolatelo in modo che tocchi terra.

**Nota:** Se il distanziale non è perfettamente a contatto con il pavimento, i pedali possono oscillare e funzionare in maniera errata.



Assicuratevi che tutte le viti siano tirate. Infine, coprite con gli appositi cappucci la testa delle viti (a) della barra pedali.

10 Collegate il cavo di alimentazione alla presa di corrente.

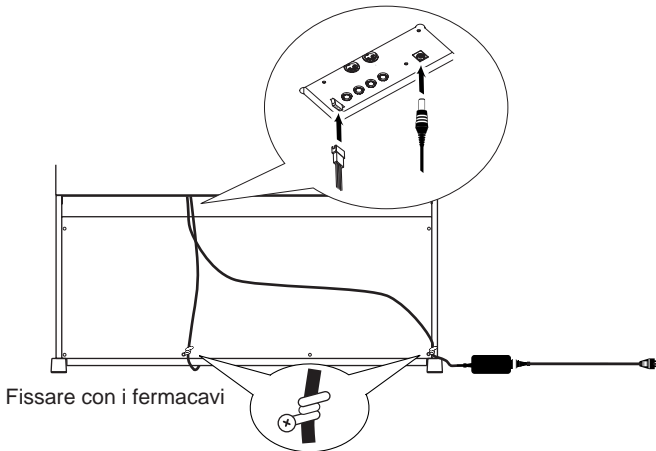


11 Collegate il cavo dei pedali e il cavo di alimentazione ai corrispondenti connettori del pianoforte. Fissate i cavi con gli appositi fermacavi.

---

**Nota:** Fate attenzione all'orientamento del connettore durante il collegamento del cavo pedali.

---



---

**Nota:** Attenzione a non schiacciare il cavo di alimentazione sotto il piede dello strumento.

---

## Controlli da effettuare dopo l'assemblaggio

[•] Alcune parti sono rimaste inutilizzate?

Se è così, verificate le istruzioni per capire dove sarebbero dovute andare.

[•] Assicuratevi che tutte le viti siano ben tirate.

## Ulteriori avvertenze

**Attenzione durante il trasporto.** Separate il pianoforte dal supporto, e trasportate le due parti separatamente. Dopo il trasporto, consultate le istruzioni per riunire il pianoforte al supporto.

**Allentamento delle viti.** Dopo il montaggio, con il passare del tempo le viti del supporto potrebbero allentarsi, facendolo oscillare. Se questo dovesse verificarsi, stringete nuovamente tutte le viti.

**Smontaggio.** Se dovete spedire il pianoforte, smontatelo seguendo le istruzioni di montaggio del supporto al contrario. Conservate le viti e le varie parti in un posto sicuro, per evitare che vengano perdute.

## Appendice

### Soluzione dei problemi

Se durante l'uso dovessero manifestarsi i problemi descritti, esaminate lo strumento per tentare di capire il problema, e cercate di risolverli seguendo i suggerimenti proposti. Se lo strumento continuasse a non funzionare correttamente, rivolgetevi al rivenditore o a un Centro di Assistenza Autorizzato Korg.

Problema	Possibile rimedio	Pag.
Lo strumento non si accende.	Verificate che l'alimentatore sia collegato al pianoforte, e che la spina dell'alimentatore sia inserita correttamente nella presa di corrente.	145
Nessun suono udibile.	(1) Verificate che il volume non sia a posto 0. Se lo è, portatelo ad un livello adeguato.	146
	(2) Assicuratevi che non ci sia un jack inserito in una delle prese PHONES. L'inserimento di un jack disattiva i diffusori. Se è così, estraete il jack.	144
	(3) Verificate che il Local non sia posto a OFF. Se lo è, ponetelo a ON. Oppure, spegnete e riaccendete lo strumento per reinizializzare tutti i parametri.	162

### Polifonia

C-320 contiene suoni campionati, cioè registrati dal suono degli strumenti musicali reali, successivamente elaborato. Questi suoni possono essere costituiti uno o più campioni diversi che vengono riprodotti quando si preme un tasto. I suoni costituiti da un solo campione hanno una polifonia massima di 60 voci, mentre i suoni costituiti da due campioni hanno una polifonia limitata ad un massimo di 30 note. Quando il numero di note suonate eccede il limite, le note suonate per prime vengono interrotte.



Inoltre, quando si suonano più di due note in modo Layer, la polifonia massima dipende dal numero totale di suoni campionati che costituiscono i suoni utilizzati. L'uso di REVERB e CHORUS riduce ulteriormente la polifonia, rispettivamente, di 10 e 3 note.

Per ulteriori informazioni sul numero di oscillatori utilizzati da ogni suono, consultate la tabella a pagina 149.

## Notazione inglese e notazione italiana

Nel testo vengono usati i nomi inglesi per le note della scala musicale. La seguente tabella elenca i nomi inglesi e il loro corrispettivo italiano.

Inglese	A	B	C	D	E	F	G
Italiano	La	Si	Do	Re	Mi	Fa	Sol

Il numero che segue sempre la nota indica l'ottava di appartenenza, in notazione MIDI standard. C4 è il Do centrale del pianoforte.

## Specifiche tecniche

Specifiche	C-320
Tastiera	88 note, sensibili alla dinamica in modo graduale, con simulazione di martelletto (Korg RH3, "Real Weighted Hammer Action 3")
Regolazione tocco	Leggero, Normale, Duro
Intonazione	Trasposizione, Intonazione fine, Temperamento (Equabile, Kirnberger, Werckmeister)
Generazione sonora	Sistema PCM stereo
Polifonia	60 note (max). L'uso di suoni a due oscillatori, del modo Layer e/o del riverbero e del chorus, riduce il numero massimo di note.
Suoni	30 suoni in ROM
Effetti	Riverbero, Chorus (3 livelli ciascuno)
Demo	30 brani dimostrativi incorporati
Metronomo	Controlli di Tempo, Segnatura metrica, Accento e Volume
Pedali	Risonanza, tonale, una corda (forniti di serie). Supporto del mezzo-pedale per risonanza e una corda.
Conessioni	Uscite audio (OUTPUT L/MONO, R), Ingressi audio (INPUT L/MONO, R), 2 x Cuffie, MIDI (IN, OUT), Pedali
Controlli	Interruttore di accensione (Power), Master Volume, Reverb, Chorus, Touch, Transpose/Function, Bank, Selezione suoni, Tempo, Metronome, Demo
Amplificazione	Amplificatore da 2 x 25 Watt, con due altoparlanti da 13cm
Alimentazione	Alimentatore CA switching esterno (fornito di serie), da CA100~240V, 50/60Hz, a CC18V, 3,3A
Dimensioni (L x P x H)	1396 x 462 x 869 mm (55.0" x 18.2" x 34.2"), compreso supporto, leggìo piegato
Peso	50 kg (110 lbs), incluso supporto
Accessori	Alimentatore esterno; Seggiolino dedicato; Supporto dedicato (tutti forniti di serie)

*Suoni elaborati con INFINITY™.*

*Korg si riserva il diritto di cambiare le specifiche senza preavviso.*

# Scorciatoie da pannello di controllo

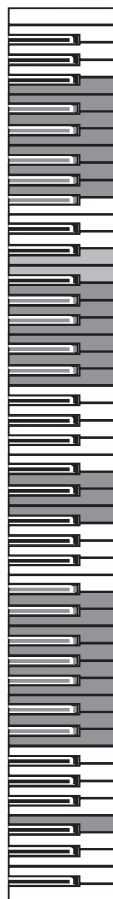
...mentre premete il tasto Tenete premuto il tasto...	PIANO 1	PIANO2	E.PIANO 1	E.PIANO 2	HARPSICLAV	VIBES/GUITAR	ORGAN 1	ORGAN 2	STRINGS/PAD	CHOIR
REVERB	Int. = Low	Int. = Medium	Int. = High							
CHORUS	Int. = Low	Int. = Medium	Int. = High							
TOUCH	Leggero	Normale	Duro		Werckmeister	Kirnbeger				
METRONOME	Metro: 2/4	Metro: 3/4	Metro: 4/4	Metro: 6/4	Accento	Campanello			Metro Vol. Dec.	Metro Vol. Inc.
TRANSPOSE/FUNCTION	Local On/Off	Prg.Change Rx/Tx	Ctrl.Change Rx/Tx			Data Dump				

## Pannello di controllo e tastiera

Il seguente schema mostra le varie funzioni accessibili tenendo premuti i tasti METRONOME o TRANSPOSE/FUNCTION, mentre si preme uno dei tasti della tastiera.

**METRONOME**

Inser. numerico tempo (Prem. entrambi per reset)  
 C5 = 0 C#5 = 1 D5 = 2  
 D#5 = 3 E5 = 4 F5 = 5  
 F#5 = 6 G5 = 7 G#5 = 8  
 A5 = 9



Avvio demo

**TRANSPOSE /FUNCTION**

Canali MIDI

C2 = Ch 01  
 ...  
 D#3 = Ch 16

Regolazione tocco

B3 = Leggero  
 C4 = Normale  
 D4 = Duro

Intonazione fine

B5 = Giu (-)  
 C6 = Su (+)  
 (Prem. entrambi per reset)

Trasposizione

F#6...B6 = -6...-1 st.  
 C7 = Standard  
 C#7...F7 = +1...+5 st.

# MIDI Implementation Chart

KORG C-320 Digital Piano  
November 18, 2005

Function		Transmitted	Recognized	Remarks
Basic Channel	Default	1	1	
	Changed	1-16	1-16	
Mode	Default		3	
	Messages	X	X	
	Altered	*****		
Note Number:		15-113	0-127	
	True Voice	*****	21-108	
Velocity	Note On	O 9n, V=1-127	O 9n, V=1-127	
	Note Off	X	X	
Aftertouch	Poly (Key)	X	X	
	Mono (Channel)	X	X	
Pitch Bend		X	O	
Control Change	7	O	O	Volume *1
	11	X	O	Expression *1
	64	O	O	Damper Pedal *1, *3
	66	O	O	Sostenuto *1
	67	O	O	Soft Pedal *1, *3
	91	O	O	Reverb Depth *1
	93	O	O	Chorus Depth *1
120, 121	X	O	All Sound Off, Reset All Ctrl's	
Program Change		0-29	0-29	*2
	True #	*****	0-29	
System Exclusive		O	O	Sound Data Dump
System Common	:Song Position	X	X	
	:Song Select	X	X	
	:Tune	X	X	
System Real Time	:Clock	X	X	
	:Commands	X	X	
Aux Messages	:Local On/Off	X	O	
	:All Notes Off	O	X	*4
	:Active Sensing	O	O	
	:Reset	X	X	
Notes	*1: Transmitted/received when Control Changes are enabled *2: Transmitted/received when Program Changes are enabled *3: Half-pedal input/output value (0, 38, 74, 127) *4: All Notes Off is transmitted when exiting the Layer mode and when selecting the Local Off status.			

Mode 1: OMNI ON, POLY  
Mode 3: OMNI OFF, POLY

Mode 2: OMNI ON, MONO  
Mode 4: OMNI OFF, MONO

O: Yes  
X: No

# ***Care Card Garantie***

# KORG-CARE-CARD

---

## Wir beglückwünschen Sie zu Ihrem neuen KORG Produkt!

Damit Sie die Vorteile dieser wertvollen Investition optimal nutzen können, bietet die KORG-Care-Card zahlreiche Service- und Support-Optionen, die Sie genauso einfach nutzen können, wie Ihr KORG Produkt. Zu diesen Optionen gehört ein Online-Hilfesystem über verschiedenen Web-Sites, Dokumentationen, erfahrener technischer Service und professionelle Unterstützung durch gebührenpflichtigen telefonischen Support.

### Online Support

Die KORG Web-Sites ([www.KORG.de](http://www.KORG.de)) stehen Ihnen 24 Stunden am Tag und an 7 Tagen die Woche zur Verfügung. Hier können Sie sich umfassend über Produkte, technische Aspekte und Software Aktualisierungen informieren. Allen KORG-Usern stehen dort Foren zur Verfügung, die in einfachster Form genutzt werden können und in denen Profis und Amateure in gleicher Weise Informationen, Tips und Hilfe bekommen. Zudem erreichen sie über die E-mail Adresse [korg.hotline@musik-meyer.de](mailto:korg.hotline@musik-meyer.de) Produkt-Spezialisten zu alle Fragen rund um das Thema KORG.

### Support durch den KORG-Fachhändler

Ihr KORG-Fachhändler, bei dem Sie das KORG Produkt erworben haben, ist ein kompetenter Ansprechpartner, der Ihnen über eventuelle Hürden hinweg hilft.

### Hotline Support

KORG Usern steht ein Hotline-Support Service zur Verfügung, der von Deutschland aus unter folgender Nummer Werktags zwischen 8 Uhr und 17 Uhr von Deutschland aus unter folgender Telefon-Nummer erreichbar ist **0190/778-100** (2,40 pro Minute). Geschulte KORG Produkt-Spezialisten stehen Ihnen hier mit Rat und Tat beiseite.

### Dem Produkt beiliegender Support

Zum Lieferumfang Ihres neuen KORG Produkts gehört eine Produktbeschreibung, die sie zuverlässig dabei unterstützt Ihr neues Produkt richtig zu handhaben.

### Reparatur Service

Nur von zertifizierten KORG Technikern kann eine Qualitäts-Reparatur mit original KORG-Ersatzteilen durchgeführt werden. Nur so ist die Zuverlässigkeit und Langlebigkeit ihres KORG-Produktes sichergestellt.

## Nutzen Sie die Vorteile der KORGE-CARE-CARD!

Um Ihnen diese Service Leistungen anbieten zu können ist es wichtig, dass wir detaillierte Informationen über Ihr persönliches KORGE Produkt erhalten, um so zukünftig professionell Support zu leisten. Über die von Ihnen ausgefüllte KORGE-Care-Card erhalten wir alle Informationen (z.B. Modellbezeichnung und Seriennummer) die wir für alle angebotenen Service-Leistungen benötigen.

Tragen Sie zur Werterhaltungen Ihres KORGE-Produktes bei, indem Sie die KORGE-Care-Card ausfüllen (auch online unter [www.korg.de](http://www.korg.de) verfügbar) .

### Weitere Vorteile für Sie:

- Sie erhalten automatisch News, Infos und Updates zu Ihrem KORGE-Produkt

Produkt \_\_\_\_\_ Kaufdatum \_\_\_\_\_

Serien-Nr. \_\_\_\_\_ Bezugsadresse \_\_\_\_\_

Welche Produktmerkmale waren für Ihre Kaufentscheidung ausschlaggebend:

- Klangqualität
- Design
- Preisangebot
- Handhabung
- andere Gründe \_\_\_\_\_

Welche Fachzeitschriften werden von Ihnen gelesen:

- Keys  Tools
- Keyboards  Raveline
- Tastenwelt  Groove
- Gitarre & Bass  AMAZONA.de
- Soundcheck  andere \_\_\_\_\_

Wer ist Ihr bevorzugter KORGE-Fachhändler:

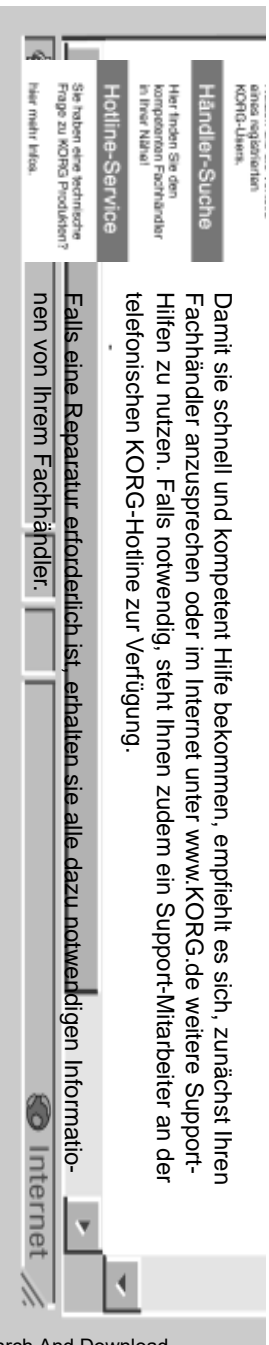
Begründung (Mehrfachnennung möglich):

- Auswahl  räumliche Nähe
- Techn. Service  Beratungs-Service
- Preis  andere \_\_\_\_\_

Welche anderen verwandten Produkte ziehen Sie in Erwägung für künftige Anschaffung:

**Ausfüllen,  
ausschneiden,  
einsenden!**





Damit sie schnell und kompetent Hilfe bekommen, empfiehlt es sich, zunächst Ihren Fachhändler anzusprechen oder im Internet unter [www.KORG.de](http://www.KORG.de) weitere Support-Hilfen zu nutzen. Falls notwendig, steht Ihnen zudem ein Support-Mitarbeiter an der telefonischen KORG-Hotline zur Verfügung.

Falls eine Reparatur erforderlich ist, erhalten Sie alle dazu notwendigen Informationen von Ihrem Fachhändler.

bitte  
freimachen

Ausfüllen,

ausschneiden,

einsenden!

Name

Vorname

Strasse

Plz / Ort

Land

eMail



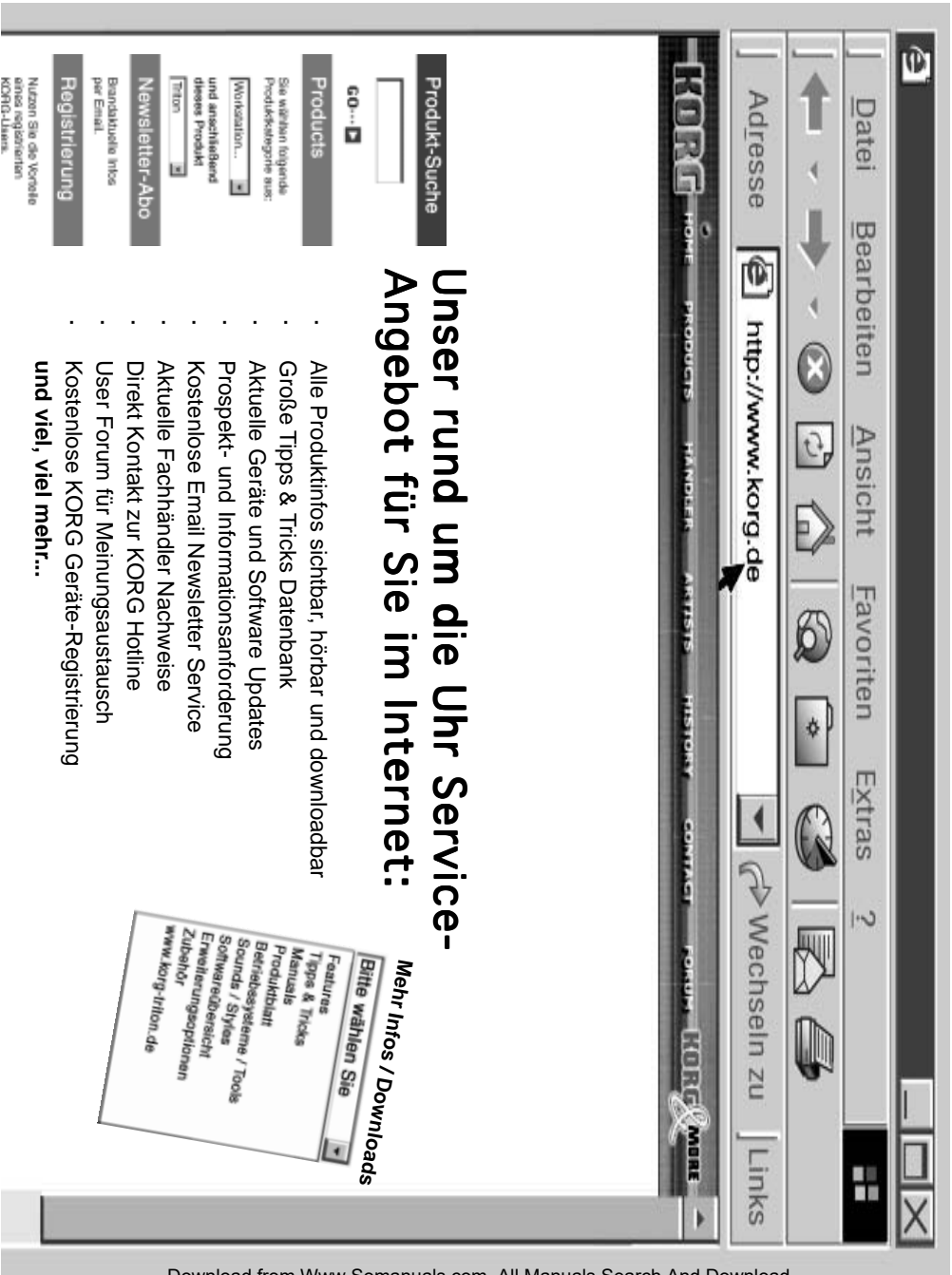
**KORG**  
masters of music

**KORG & MORE a Division of  
Musik Meyer GmbH**

**Postfach 21 47**

**35009 Marburg**





Adresse

<http://www.korg.de>

Wechseln zu

Links

**KOR.G**

HOME PRODUCTS HANDELER ARTISTS HISTORY CONTACT FORUM KOR.G & MORE

Produkt-Suche

GO...

Products

Sie wählen folgende Produktkategorie aus:  
Kategorien...  
und anschließend dieses Produkt:  
Titel...

Newsletter-Abo

Benachrichtige mich per Email

Registrierung

Nutzen Sie die Vorteile eines registrierten KORG-Likers.

# Unser rund um die Uhr Service-Angebot für Sie im Internet:

- Alle Produktinfos sichtbar, hörbar und downloadbar
- Große Tipps & Tricks Datenbank
- Aktuelle Geräte und Software Updates
- Prospekt- und Informationsanforderung
- Kostenlose Email Newsletter Service
- Aktuelle Fachhändler Nachweise
- Direkt Kontakt zur KOR.G Hotline
- User Forum für Meinungsaustausch
- Kostenlose KOR.G Geräte-Registrierung
- **und viel, viel mehr...**

Mehr Infos / Downloads

Bitte wählen Sie

- Features
- Traps & Tricks
- Manuals
- Produktbild
- Betriebssysteme / Tools
- Soundas / Styles
- Softwarebereich
- Erweiterungsoptionen
- Zulieferer
- [www.korg-triton.de](http://www.korg-triton.de)



**UNIQUEMENT POUR LA FRANCE**  
**ONLY FOR FRANCE**



**EXEMPLAIRE DE GARANTIE A RETOURNER A**  
**GAFFAREL MUSIQUE B.P. 435 95005 CERGY PONTOISE**

NOM : \_\_\_\_\_ PRENOM : \_\_\_\_\_

ADRESSE : \_\_\_\_\_

Code Postal : \_\_\_\_\_ VILLE : \_\_\_\_\_

DATE D'ACHAT : \_\_\_\_\_

REFERENCE : \_\_\_\_\_

N° DE SERIE : \_\_\_\_\_

CACHET DU MAGASIN



# KORG

## Address

KORG Inc.  
4015-2 Yanokuchi  
Inagi-city, Tokyo  
206-0812 Japan

## Web Servers

[www.korg.com](http://www.korg.com)  
[www.korg.co.uk](http://www.korg.co.uk)  
[www.korgcanada.com](http://www.korgcanada.com)  
[www.korgfr.net](http://www.korgfr.net)  
[www.korg.de](http://www.korg.de)  
[www.korg.it](http://www.korg.it)  
[www.letusa.es](http://www.letusa.es)  
[www.korgpa.com](http://www.korgpa.com)

© KORG Inc. 2005. All rights reserved



EH1801 *Printed in Japan*

## Free Manuals Download Website

<http://myh66.com>

<http://usermanuals.us>

<http://www.somanuals.com>

<http://www.4manuals.cc>

<http://www.manual-lib.com>

<http://www.404manual.com>

<http://www.luxmanual.com>

<http://aubethermostatmanual.com>

Golf course search by state

<http://golfingnear.com>

Email search by domain

<http://emailbydomain.com>

Auto manuals search

<http://auto.somanuals.com>

TV manuals search

<http://tv.somanuals.com>