

## The Kramer T-RC-8IR TBUS Mounting Insert Kit for RC-8IR

Congratulations on purchasing your Kramer insert kit for the **RC-8IR**. The **T-RC-8IR** lets you add the **RC-8IR** to TBUS inner frames that include dual power socket openings. (The **TBUS-1AxI**, **TBUS-10xI** and **TBUS-18xI**).

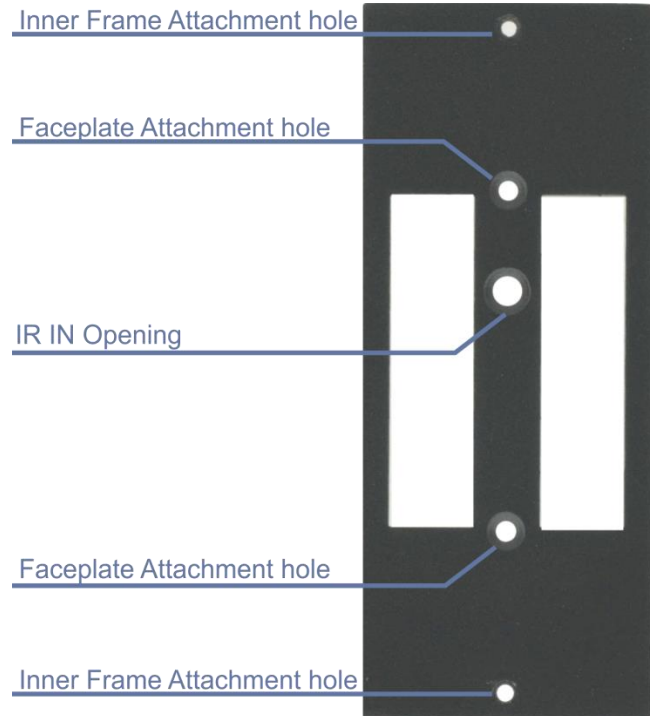


Figure 1: T-RC-8IR Insert Kit for RC-8IR (P/N: 80-000599)



Note that you can only use the EUROPEAN VERSION of the **RC-8IR** with the **T-RC-8IR** when installing in a TBUS. Other versions will not fit the **T-RC-8IR**.

## Installing the T-RC-8IR Insert Kit for RC-8IR

To install the **T-RC-8IR** insert:

1. Unscrew the two faceplate attachment screws and remove the **RC-8IR** faceplate.

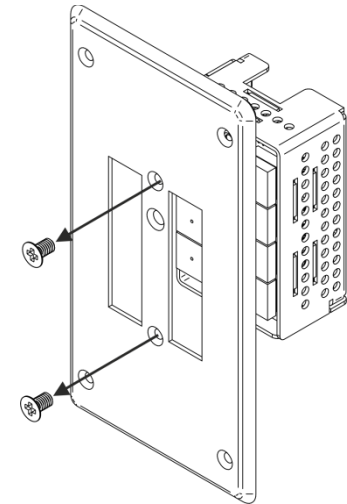


Figure 2: RC-8IR Faceplate Holes Insert Kit for RC-8IR

2. Place the **T-RC-8IR** over the **RC-8IR** enclosure so that both faceplate holes are aligned with the faceplate holes on the **RC-8IR** enclosure and the IR IN receiver fits into the IR IN opening (see [Figure 3](#)).
3. Insert the faceplate screws through the **T-RC-8IR** and **RC-8IR** enclosure faceplate holes, and tighten.

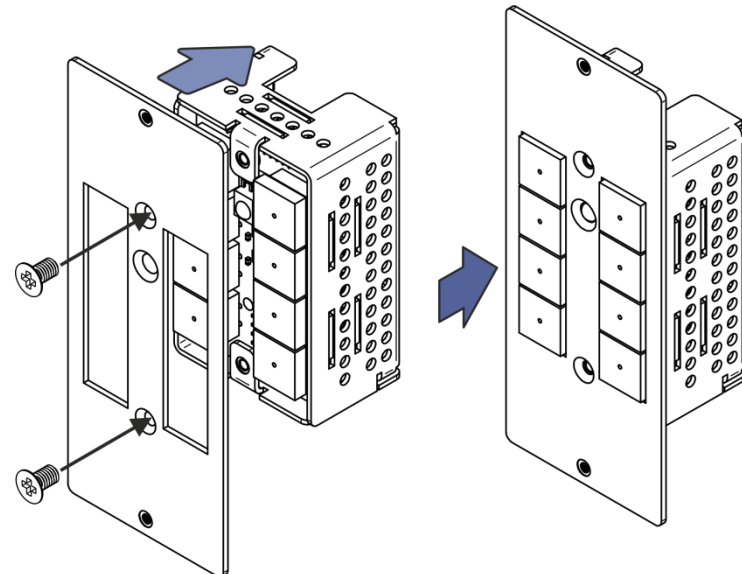


Figure 3: T-RC-8IR Installation

4. Place the assembled **T-RC-8IR+ RC-8IR** under the dual socket opening.
5. Insert the two screws (supplied with the kit) to fix the **T-RC-8IR** in place, and tighten them.

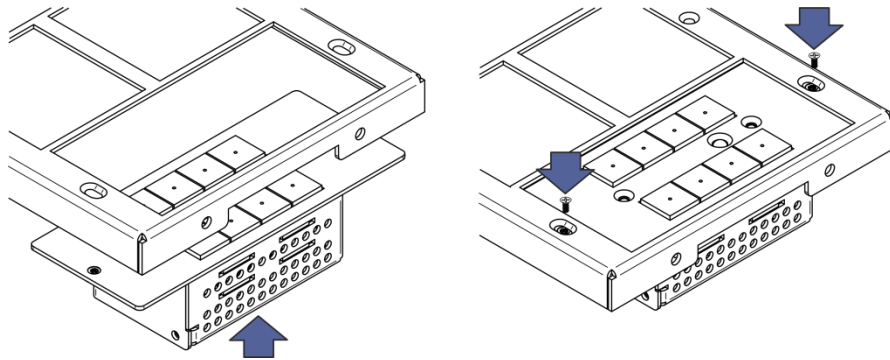


Figure 4: Fix the T-RC-8IR in Place

## Connecting the Cables

To connect the cables:

1. Insert the cables to their appropriate connectors from underneath.
2. Secure the cables to the tie holes on the **TBUS**.  
Do not secure the cables too tightly or too loosely. Leave a small amount of slack.

After the unit is connected to mains power and the proper cables, it is ready for use.



KRAMER ELECTRONICS LTD.

# Installation Instructions

MODEL:

**T-RC-8IR**  
Insert Kit for RC-8IR  
European Version Only

For the latest information on our products and a list of Kramer distributors, visit our Web site where updates to these installation instructions may be found

**We welcome your questions, comments, and feedback.**

Web site: [www.kramerelectronics.com](http://www.kramerelectronics.com)

E-mail: [info@kramerel.com](mailto:info@kramerel.com)

For more detailed information regarding this product scan the QR code:



### SAFETY WARNING

Disconnect the unit from the power supply before opening and servicing

P/N: 2900-300060 Rev 4



P/N: 2900-300060



Rev: 4

## Free Manuals Download Website

<http://myh66.com>

<http://usermanuals.us>

<http://www.somanuals.com>

<http://www.4manuals.cc>

<http://www.manual-lib.com>

<http://www.404manual.com>

<http://www.luxmanual.com>

<http://aubethermostatmanual.com>

Golf course search by state

<http://golfingnear.com>

Email search by domain

<http://emailbydomain.com>

Auto manuals search

<http://auto.somanuals.com>

TV manuals search

<http://tv.somanuals.com>