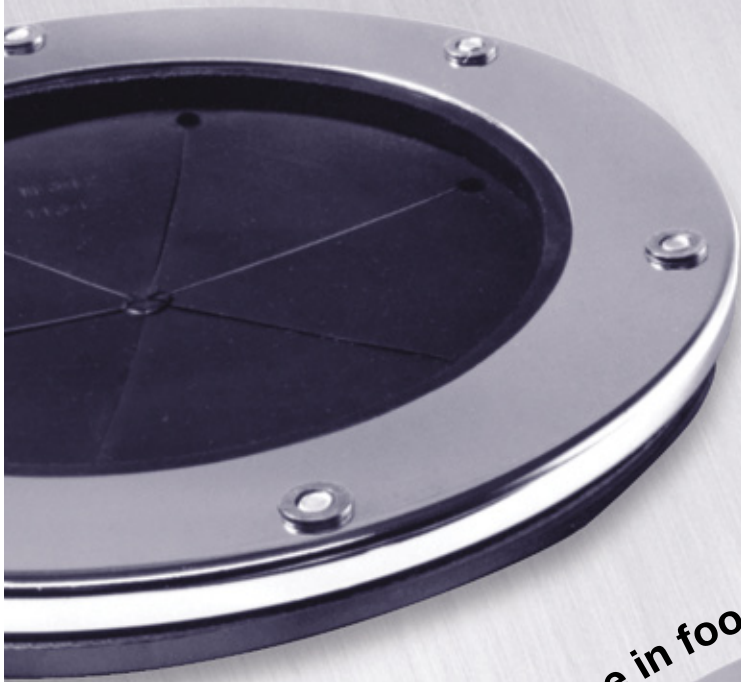




# Mounting Adaptor Selection Guide

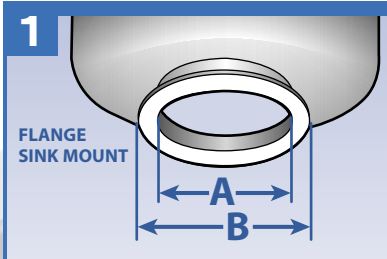
for Foodservice Food  
Waste Disposers



*The most trusted name in food waste management.*

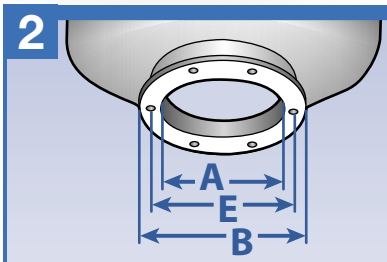
# Use This Chart to Select the Right InSinkErator Mounting Adaptor

- A. Disconnect existing disposer from sink bowl or cone.
- B. Find the diagram that matches your sink bowl or cone.
- C. Measure the A and B dimensions (also C, D and E if indicated).
- D. Match the manufacturer and dimensions to find the adaptor number to order.



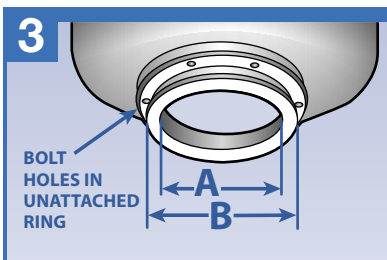
**A** – Diameter (sink or bowl opening)  
**B** – Diameter (outside flange)

| Normally Used By                  | A      | B        | ISE Ring Adaptor # | Special Information  |
|-----------------------------------|--------|----------|--------------------|--|
| Waste King, ISE, Toledo, National | 4½"    | 5-1/8"   | 11327A             | Discard previous adaptor parts.  |
| FMC, Avant                        | 4-5/8" | 5-1/8"   | 11378              | Re-use split ring.   |
| FMC, Avant                        | 5¼"    | 5-11/16" | 11327C             | Discard previous adaptor parts.  |
| Bus Boy                           | 6"     | 6-7/8"   | 11327K             | Discard previous adaptor parts (has 3-piece split ring).                             |
| ISE, Toledo                       | 6"     | 7-3/16"  | 11327B             | Discard previous adaptor parts.  |
| Standard ISE mounting             | 6-5/8" | 7-1/8"   | 11599E             | Discard previous adaptor parts.  |
| National, Hobart, Toledo          | 7"     | 7-3/8"   | 11327G             | Discard previous adaptor parts. National mounting has ten bolt circle on split ring. |
| Salvajor                          | 7"     | 7¾"      | 11599A             | Discard previous adaptor parts (split ring supplied).                                |
| ISE, Toledo                       | 8"     | 9¼"      | 11327              | Discard previous adaptor parts (split ring supplied).                                |



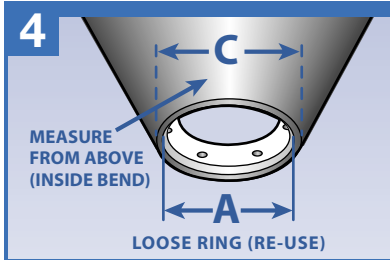
**A** – Diameter (sink or bowl opening)  
**B** – Diameter (outside flange)  
**E** – Diameter (bolt hole circle)

| Normally Used By        | A   | B       | E       | No. of Bolt Holes | ISE Ring Adaptor# | Special Information                                      |
|-------------------------|-----|---------|---------|-------------------|-------------------|--|
| Waste King, Red Goat    | 4½" | 6½"     | 5½"     | 6                 | 11599             | Discard previous adaptor parts. Use existing bolt holes. |
| American Delphi, Atomic | 6"  | 7½"     | 6-7/8"  | 6                 | 11378D            | Discard previous adaptor parts. Use existing bolt holes. |
| National, Hobart        | 7"  | 8½"     | 8-1/16" | 10                | 11599B            | Discard previous adaptor parts.                          |
| Hobart                  | 9"  | 12-1/8" | 11-1/8" | 8                 | 11327E            | Discard previous adaptor parts. Use existing bolt holes. |



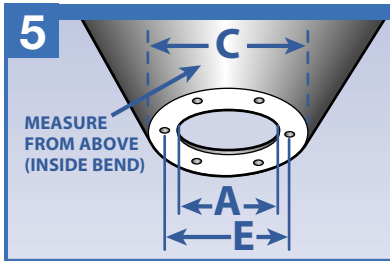
**A** – Diameter (sink or bowl opening)  
**B** – Diameter (outside flange)

| Normally Used By | A  | B   | ISE Ring Adaptor No. | Special Information  |
|------------------|----|-----|----------------------|--|
| Waste King       | 6" | 6½" | 11327D               | Loose ring on sink not used with this adaptor (O.D. of loose ring is 7½" with six bolts – 7" bolt hole circle diameter). |



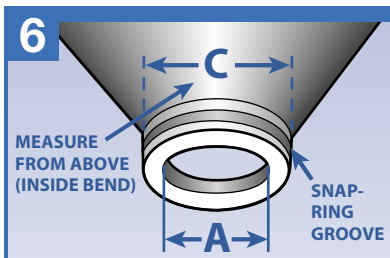
A – Diameter (sink or bowl opening)  
C – Diameter (inside bend)

| Normally Used By    | A      | C      | ISE Ring Adaptor No. | Special Information   |
|---------------------|--------|--------|----------------------|---|
| Waste King, Bus Boy | 5-7/8" | 6-1/2" | 11327H               | Re-use existing clamping ring. Request #11307 clamping ring if existing clamping ring cannot be used. |
| Waste King, Bus Boy | 5-7/8" | 6-7/8" | 11327H               |   |



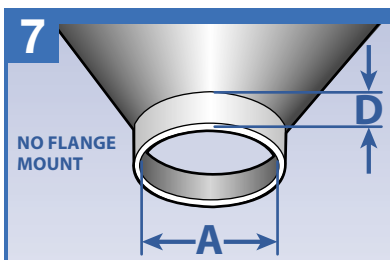
A – Diameter (sink or bowl opening)  
C – Diameter (inside bend)  
E – Diameter (bolt hole circle)

| Normally Used By | A      | C      | E      | No. of Bolt Holes | ISE Ring Adaptor# | Special Information             |
|------------------|--------|--------|--------|-------------------|-------------------|---------------------------------|
| Hobart           | 4 1/2" | 6-7/8" | 5 1/2" | 6                 | 11327H            | Discard previous adaptor parts. |



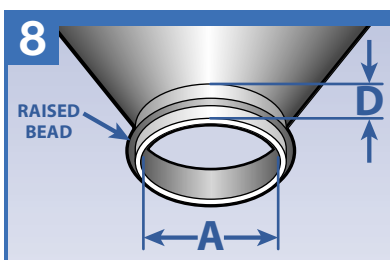
A – Diameter (sink or bowl opening)  
C – Diameter (inside bend)

| Normally Used By | A  | C      | ISE Ring Adaptor No. | Special Information  |
|------------------|----|--------|----------------------|--|
| Hobart           | 5" | 5-7/8" | 11327J               | Discard previous adaptor parts (clamping ring supplied).                         |
| G.E.             | 6" | 6-3/8" | 11378E               | Discard previous adaptor parts – has snap ring groove on outside of sink throat. |



A – Diameter (sink or bowl opening)  
D – Diameter

| Normally Used By   | A      | D      | ISE Ring Adaptor No. | Special Information  |
|--------------------|--------|--------|----------------------|--|
| Red Goat, Insinger | 4 1/2" | 1-1/8" | 11378C               | 3/4" rubber connection sleeve and clamping bands. Support legs required. |
| Waste King         | 6"     | 1-1/8" | 11378A               | 6/4" rubber connection sleeve and clamping bands. Support legs required. |
| Red Goat, Insinger | 7"     | 1-1/8" | 11378B               | 7/4" rubber connection sleeve and clamping bands. Support legs required. |
| Master             | 8"     | 1"     | 11599K               | 8/4" rubber connection sleeve and clamping bands. Support legs required. |



A – Diameter (sink or bowl opening)  
D – Diameter

| Normally Used By | A       | D  | ISE Ring Adaptor No. | Special Information   |
|------------------|---------|----|----------------------|---|
| Salvajor         | 4-7/16" | 1" | 11599N               | Has raised bead on outside of sink throat. Support legs required. |
| Salvajor         | 6-5/8"  | 1" | 11599H               |   |

# InSinkErator. #1 Choice of Foodservice Operations

Every InSinkErator disposer reflects an uncompromising commitment to quality as well as state-of-the-art engineering.

Unlike other manufacturers, we begin with the raw materials and build virtually every component that goes into our disposers.

It's all part of our demanding quality control programs that cover not only the initial design, but every step in the manufacturing process.

**Whether you serve 25 or 2500 people, there's an InSinkErator disposer that's right for you.**

## Recommended Sizing Chart\*

| Persons per Meal | Soiled Dish Table | Vegetable Prep. Area | Salad Prep. Area | Pot Sink | Meat Prep. Area |
|------------------|-------------------|----------------------|------------------|----------|-----------------|
| Up to 100        | SS-75             | SS-50                | -                | -        | -               |
| 100-150          | SS-100            | SS-75                | SS-50            | SS-50    | -               |
| 150-175          | SS-125            | SS-100               | SS-75            | SS-50    | SS-150          |
| 175-200          | SS-150            | SS-150               | SS-75            | SS-75    | SS-150          |
| 200-300          | SS-200            | SS-150               | SS-75            | SS-75    | SS-300          |
| 300-750          | SS-300            | SS-150               | SS-75            | SS-75    | SS-300          |
| 750-1500         | SS-500            | SS-300               | SS-150           | SS-150   | SS-500          |
| 1500-2500        | (2) SS-500        | SS-300               | SS-150           | SS-150   | SS-500          |

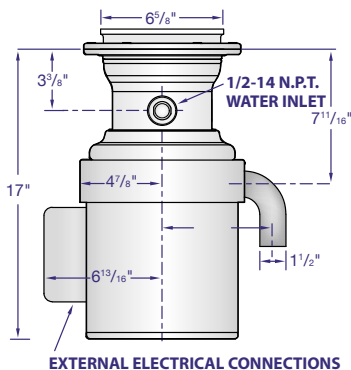
2500-over Contact your Food Service Consultant or InSinkErator

For special applications, such as supermarkets or other heavy, continuous volume installations, select Models SS-750 or SS-1000

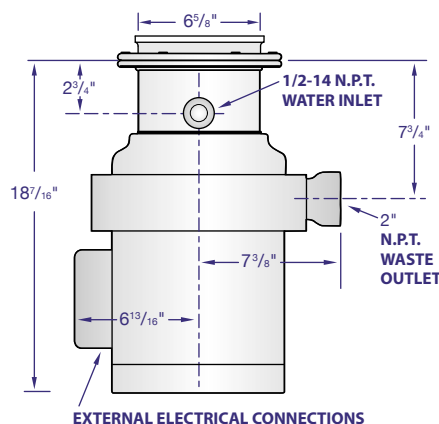
\* The models listed are the minimum size InSinkErator disposer to be used at the point-of-origin for food wastes. Sizing recommendations are given in general terms. Actual capacities vary depending on the type of food waste.

## 10 Stainless Steel Models from 1/2 H.P. to 10 H.P. in three basic sizes.

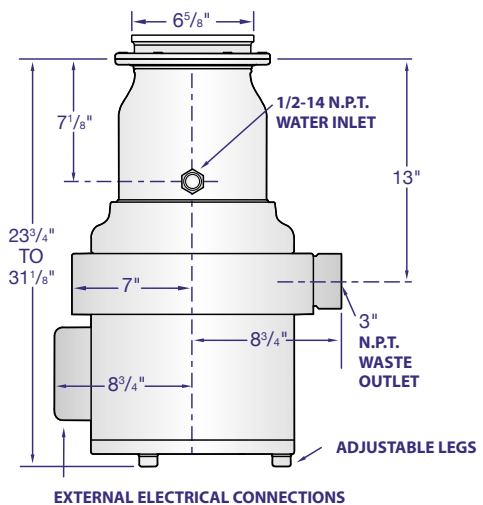
### SS-50 to SS-125



### SS-150 to SS-200



### SS-300 to SS-1000



4700 21st Street  
Racine, WI 53406  
1-800-845-8345  
www.insinkerator.com





## Free Manuals Download Website

<http://myh66.com>

<http://usermanuals.us>

<http://www.somanuals.com>

<http://www.4manuals.cc>

<http://www.manual-lib.com>

<http://www.404manual.com>

<http://www.luxmanual.com>

<http://aubethermostatmanual.com>

Golf course search by state

<http://golfingnear.com>

Email search by domain

<http://emailbydomain.com>

Auto manuals search

<http://auto.somanuals.com>

TV manuals search

<http://tv.somanuals.com>