

# IN-SINK-ERATOR®

## INSTANT HOT WATER DISPENSERS

### Model SST-FLTR

Stainless Steel Tank with F-201 Filtration System\*



\*Water dispenser sold separately

#### Submittal Sheet

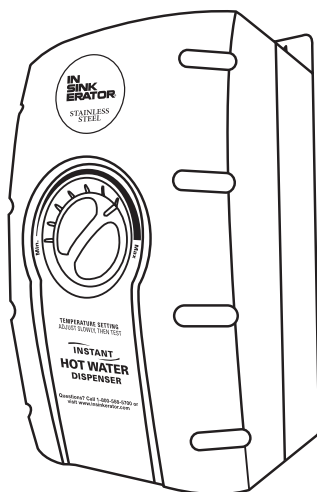
**Stainless Steel Tank** dispenses filtered near-boiling 200°F water instantly.

- F-201 Filtration System included for fresher tasting water
- 35% more near-boiling water from larger 2/3 gallon stainless steel tank
- Easy to adjust temperature control
- Tool-free tank connections and dry start protection to ease installation
- Provides 60 cups/hour of near-boiling water
- 3-Year We Come To You™ In-Home Service Warranty\*
- 120 volts, 750 watts, 6.25 amps
- For use with In-Sink-Erator Series 1100 and other dispenser models (Not for use with Model Hot1)

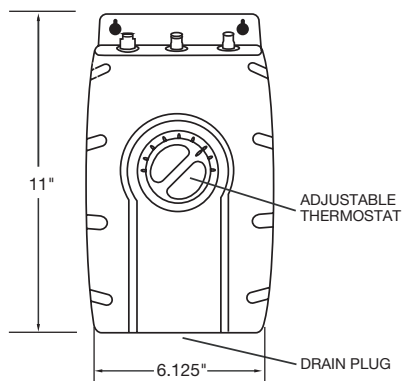
\* The complete In-Sink-Erator warranty is included in the Installation, Care & Use Booklet packed with each unit.

#### Specifications

Capacity	2/3 gallon tank dispenses 60 cups of 200°F water per hour
Electrical	120 volts A.C., 750 watts, 6.25 amp heating element with grounded three (3) prong plug
Thermostat	Snap-action, adjustable from 160°F to 210°F (factory pre-set at 200°F)
Insulation	Meets U.L. 94HF-1 flammability specification
Recommended Supply Pressure	30-125 psi
Shipping Weight	Approximately 4.2 lbs.



#### Dimensions



DEPTH IS 6.75"

#### Sample Specification

- Capacity: 2/3 gallon tank dispenses 60 cups of 200°F water per hour
- Electrical: 120 volts A.C., 750 watts, 6.25 amp heating element with grounded three (3) prong plug
- Thermostat: Snap action, adjustable from 160°F to 210°F (factory pre-set at approximately 200°F)
- Insulation: Meets U.L. 94HF-1 flammability specification
- Recommended Supply Pressure: 30-125 psi
- Shipping Weight: Approximately 4.2 lbs.

To ensure optimum performance, maximum distance between tank and dispenser head should be 16" or less.



#### Job Specifications



**EMERSON™**  
Appliance Solutions

The Emerson logo is a trademark and a service mark of Emerson Electric Co. In-Sink-Erator is a division of Emerson Electric Co.

## Free Manuals Download Website

<http://myh66.com>

<http://usermanuals.us>

<http://www.somanuals.com>

<http://www.4manuals.cc>

<http://www.manual-lib.com>

<http://www.404manual.com>

<http://www.luxmanual.com>

<http://aubethermostatmanual.com>

Golf course search by state

<http://golfingnear.com>

Email search by domain

<http://emailbydomain.com>

Auto manuals search

<http://auto.somanuals.com>

TV manuals search

<http://tv.somanuals.com>