

# User Guide



Clock Radio with iPod Dock

**NS-CL1112**



# Insignia NS-CL1112 Clock Radio with iPod Dock

## Contents

|                                       |    |
|---------------------------------------|----|
| Introduction . . . . .                | 3  |
| Safety information . . . . .          | 3  |
| Features . . . . .                    | 5  |
| Setting up your clock radio . . . . . | 9  |
| Using your clock radio . . . . .      | 11 |
| Troubleshooting . . . . .             | 16 |
| Maintaining . . . . .                 | 17 |
| Specifications . . . . .              | 17 |
| Legal notices . . . . .               | 18 |
| 90-day limited warranty . . . . .     | 19 |

## Introduction

Congratulations on your purchase of a high-quality Insignia product. Your NS-CL1112 represents the state of the art in clock radio design and is designed for reliable and trouble-free performance. Your clock radio also includes an iPod® dock that lets you play iPod® songs through your clock radio speakers.

## Safety information





The lightning flash with arrowhead symbol within an equilateral triangle is intended to alert you to the presence of uninsulated dangerous voltage within your clock radio's enclosure that may be of sufficient magnitude to constitute a risk of electric shock.



The exclamation point within an equilateral triangle is intended to alert you to the presence of important operating and maintenance (servicing) instructions in the literature accompanying your clock radio.

- 1) Read these instructions.
- 2) Keep these instructions.
- 3) Heed all warnings.
- 4) Follow all instructions.
- 5) Do not use this apparatus near water.
- 6) Clean only with a dry cloth.
- 7) Do not block any ventilation openings. Install in accordance with the manufacture's instructions.
- 8) Do not install near any heat source, such as radiators, heat registers, stoves, or other apparatus (including amplifiers) that produce heat.
- 9) Do not defeat the safety feature of the polarized or grounding-type plug. A polarized plug has two blades and a third grounding prong. The wide blade or the third prong are provided for your safety. If the provided plug does not fit into your outlet. Consult an electrician for replacement of the obsolete outlet.
- 10) Protect the power cord from being walked on or pinched, particularly at plugs, convenience receptacles, and the point where they exit the clock radio.
- 11) Only use attachments/accessories specified by the manufacturer.
- 12) Use only with the cart, stand, tripod, bracket, or table specified by the manufacturer, or sold with the apparatus. When a cart is used, use caution when moving the cart/apparatus combination to avoid injury from tip-over.
- 13) Unplug this clock radio during lightning storms or when unused for long periods of time.

14) Refer all servicing to qualified service personal. Servicing is required when the clock radio has been damaged in any way, such as the power cord or plug is damaged, liquid has been spilled or objects have fallen into the clock radio, the clock radio has been exposed to rain or moisture, does not operate normally, or has been dropped.

15) Do not expose your clock radio to dripping or splashing liquids, and no objects filled with liquids should be placed on it.

16) Excessive sound pressure from earphones and headphones can cause hearing loss.

17) The AC adapter is used as the disconnect device and it shall remain readily operable during use. In order to disconnect the clock radio, the AC adapter should be removed from the AC power outlet completely.

18) The batteries (battery pack and batteries installed) should not be exposed to excessive heat, such as sunshine, fire, or similar heat sources.

**Note**

Read Rating Labels on the bottom of the system for power input and other safety information.

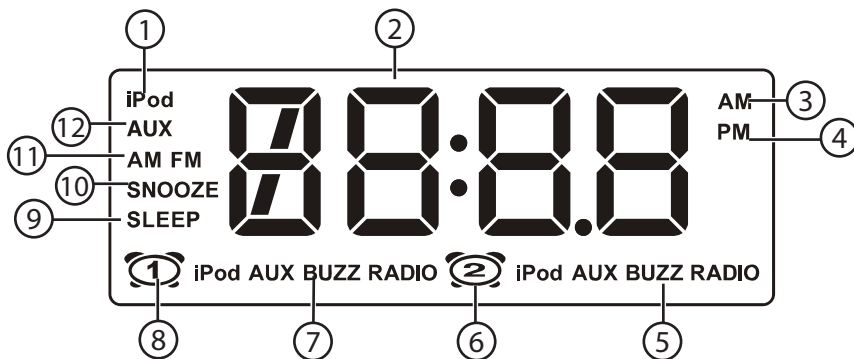
## Features

### Package contents

Your clock radio includes the following items:

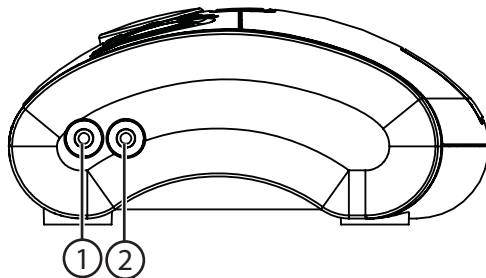
- Main clock radio with iPod® dock
- AC adapter
- AM loop antenna
- *User Guide*
- iPod dock adapters (6)

## LCD display



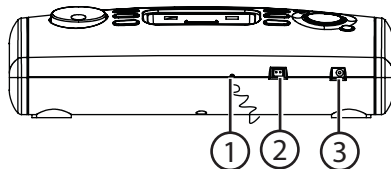
| #  | Information               |
|----|---------------------------|
| 1  | iPod® indicator           |
| 2  | TIME/ALARM display        |
| 3  | AM indicator              |
| 4  | PM indicator              |
| 5  | Alarm 2 wake-to indicator |
| 6  | Alarm 2 on                |
| 7  | Alarm 1 wake-to indicator |
| 8  | Alarm 1 on                |
| 9  | Sleep timer indicator     |
| 10 | Snooze indicator          |
| 11 | AM FM indicator           |
| 12 | Aux indicator             |

## Left panel



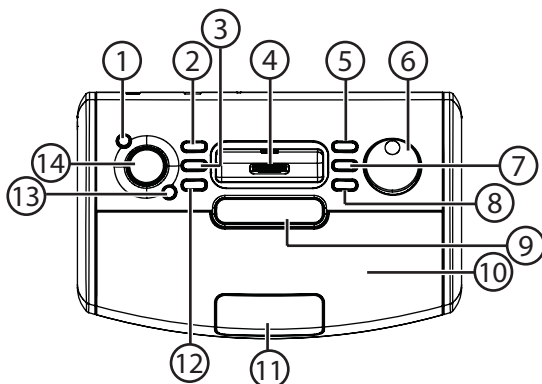
| # | Information    |
|---|----------------|
| 1 | Headphone jack |
| 2 | AUX IN jack    |

## Back panel



| # | Information          |
|---|----------------------|
| 1 | FM antenna wire      |
| 2 | AM loop antenna jack |
| 3 | AC Adapter jack      |

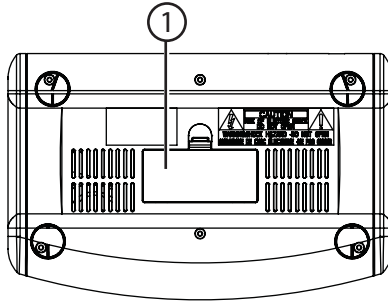
## Top panel



| #  | Information                 |
|----|-----------------------------|
| 1  | <b>STANDBY/ON</b> button    |
| 2  | <b>SLEEP</b> button         |
| 3  | <b>PRESET/MEM</b> button    |
| 4  | iPod® dock                  |
| 5  | <b>CLK SET</b> button       |
| 6  | <b>TUNING/SKIP</b> knob     |
| 7  | <b>▶II/SEEK</b> button      |
| 8  | <b>ALARM 2</b> button       |
| 9  | <b>SNOOZE/DIMMER</b> button |
| 10 | Speaker                     |
| 11 | LCD                         |
| 12 | <b>ALARM 1</b> button       |
| 13 | <b>FUNCTION</b> button      |
| 14 | <b>VOLUME +/-</b> buttons   |



## Bottom panel



| # | Component           | Description   |
|---|---------------------|---|
| 1 | Battery compartment | Place the backup batteries (AA x 2) in this compartment |

## Setting up your clock radio

### Installing the backup batteries

The clock radio uses a backup battery system to provide continuous alarm operation and clock settings in the event of a power failure. If the backup batteries have been installed and a power failure occurs or the AC cord is accidentally disconnected, the display will not remain lit, but the current time and alarm time settings will be temporarily maintained. Otherwise, you must reset the time and alarm settings.

Make sure the AC cord is connected. Otherwise all settings may be lost during battery replacement.

#### To install the backup batteries:

- 1 Open the battery compartment cover located on the bottom of your clock radio.
- 2 Insert two "AA" batteries, checking that the polarity (+ and - ends of the batteries) matches the drawing inside the battery compartment. We recommend the use of alkaline batteries for longer life.

- 3 Close the battery compartment cover.

**Warnings**

- Do not recharge, short, disassemble, or heat the batteries, or dispose of in a fire.
- Dispose of battery in the proper manner, according to federal, state, and local regulations.
- Remove the batteries when the charge is depleted.
- Battery chemicals can cause a rash. If the batteries leak, clean the battery compartment with a cloth. If chemicals touch your skin, wash immediately.

## Making connections

### *Connecting the AC adapter*

Make sure that the AC power outlet matches the AC adapter's power specifications (100-240 V ~ 50-60 Hz) prior to plugging in the adapter.

**To connect the AC adapter:**

- 1 Plug the small DC power connector into the AC adapter jack on the back of your clock radio.
- 2 Plug the AC adapter into an AC power outlet.

## Setting the clock

**To set the clock:**

- 1 In standby mode, press and hold the **CLK SET** button on the top of your clock radio for two seconds. The hour format (12 or 24) is displayed on the LCD.
- 2 Turn the **TUNING/SKIP** knob to change the format between 12 and 24.
- 3 Press the **CLK SET** button again. The hour setting starts blinking.
- 4 Turn the **TUNING/SKIP** knob to change the hour setting.
- 5 Press the **CLK SET** button again. The minute setting starts blinking.
- 6 Turn the **TUNING/SKIP** knob to change the minute setting, then press the **CLK SET** button to store the setting.

**Note**

If no button is pressed for ten seconds, the clock radio exits clock setting mode without storing the setting. The clock is displayed in standby mode. To view the clock in radio mode, press and hold **CLK SET** for two seconds. Press it again to return to the normal display.

## Using your clock radio

Before using your clock radio, make sure all connections are good, then plug the AC adapter into your clock radio and an AC power outlet.

## Turning your clock radio on and off

### To turn on your clock radio:

- 1 Press **STANDBY/ON**. Your clock radio turns on.
- 2 Press **SNOOZE/DIMMER** to control the brightness of the LCD.
- 3 Press **STANDBY/ON** again to switch your clock radio to standby mode.

## Setting and using the alarm

### To set the alarm:

- 1 Press and hold the **ALARM1** or **ALARM2** button for two seconds. The hour digits, the "ALARM 1" or "ALARM 2" flag, and the source icon (BUZZER is the default) start to blink.
- 2 Turn the **TUNING/SKIP** knob to set the hour you want the alarm to wake you.
- 3 Press the **ALARM1** or **ALARM2** button. The minute digits start to blink.
- 4 Turn the **TUNING/SKIP** knob to set the minutes at which you want the alarm to wake you.
- 5 Press the **ALARM1** or **ALARM2** button again, then turn the **TUNING/SKIP** knob to select **AL-H** (alarm volume high) or **AL-L** (alarm volume low).
- 6 Press **ALARM1** or **ALARM2** to store the setup.

#### Notes

- During alarm setting, if no button is pressed within 10 seconds, the system will exit alarm setting mode automatically, without storing the settings.
- The Alarm1 default setting is 6:00, and the Alarm2 default setting is 7:30 (12H format only – the word "AM" or "PM" is shown)

- 7 Press the **ALARM1** or **ALARM2** button again. The ALARM turns off.
- 8 Press the **ALARM1** or **ALARM2** button two times. The ALARM turns on, then turns off.

- 9 Press the **ALARM1** or **ALARM2** button repeatedly. The source will cycle through iPod, Radio (FM/AM), BUZZER, and OFF.

#### To turn the alarm on or off:

- 1 If the alarm is off, press the **ALARM1** or **ALARM2** button to turn on the alarm. The **ALARM1** or **ALARM2** flag, and the source icon (iPod®, RADIO, or BUZZER), appear on the display and the alarm time appears briefly.
- 2 If the alarm is on, press any button (except **SNOOZE/DIMMER**) to turn off the alarm.
- 3 If you do not want to set the alarm for the next day, press **ALARM1** or **ALARM2** until the “ALARM1” or “ALARM2” flag disappears from the display.

#### To use the alarm:

When the alarm sounds, the **ALARM** and **WAKE-TO** flags flash on the display.

- 1 Press the **STANDBY/ON** button to reset the alarm for the same time the following day.
- 2 Press the **SNOOZE/DIMMER** button to stop the alarm for 9~10 minutes. You can use the **SNOOZE/DIMMER** button five times.

#### Notes

- The ALARM and SNOOZE flags remain on while in snooze mode.
- The volume level of the alarm will increase from the minimum level until the level selected by user is reached (the default volume is 16, the maximum volume is 32).
- If the selected source is iPod® and no iPod® is connected, the alarm will switch to Buzzer automatically.

#### To use the sleep timer:

- 1 When listening to the radio or your iPod®, press the **SLEEP** button repeatedly to set the sleep timer. Settings include **120, 90, 75, 60, 45, 30, or 15** minutes. The radio or iPod® automatically turns off after the selected interval.
- 2 To stop listening at any time, press the **STANDBY/ON** button.

#### Notes

- When the display changes back to show the real time, pressing the **SLEEP** button once shows the sleep time remaining. Pressing it again changes the sleep time to the next lowest increment.
- The clock radio has an independent volume setting for sleep mode, so you can adjust the sleeping volume without affecting the alarm volume.

## Playing the radio

### To play the radio:

- 1 Press the **STANDBY/ON** button to turn on your clock radio, then press **FUNCTION** to select either **AM** or **FM**.
- 2 If you are listening to FM, stretch out the FM antenna on the back of your clock radio and move it around to improve reception.  
-OR-  
If you are listening to AM, connect the AM loop antenna to the AM antenna jack on the back of your clock radio.
- 3 Turn the **TUNING/SKIP** knob to tune the radio to a higher or lower frequency.
- 4 Press the **SEEK** button to auto search to the next available station.
- 5 Press the **VOLUME +/-** buttons to increase or decrease the volume. Adjust the volume to a comfortable level.
- 6 Press the **STANDBY/ON** button to turn off your clock radio.

## Using radio station presets

Your clock radio can store 10 AM and 10 FM station presets.

### To store radio station presets:

- 1 Turn on your clock radio, then press **FUNCTION** to select either **AM** or **FM**.
- 2 Turn the **TUNING/SKIP** knob to tune the clock radio to the frequency you want to save.
- 3 Press and hold the **PRESET/MEM** button for two seconds. The preset number flashes.
- 4 Turn the **TUNING/SKIP** knob to select the preset number for the station.
- 5 Press the **PRESET/MEM** button again to store the station as a preset.

### To recall radio station presets:

- 1 Turn on your clock radio, then press **FUNCTION** to select either **AM** or **FM**.
- 2 Press the **PRESET/MEM** button repeatedly to select the preset station you want.

## Listening to an external sound source

You can listen to an external sound source, such as a CD, MD, or non-docking iPod®, on your clock radio.

### To listen to an external sound source:

- 1 Make sure that your clock radio is turned off.
- 2 Connect the external sound source to the **AUX IN** jack on the left side of your clock radio using a stereo mini plug cord (not supplied).
- 3 Press **STANDBY/ON** to turn on your clock radio.
- 4 Press the **FUNCTION** button to select **AUX**.
- 5 Start playback on the external sound source, then adjust the volume to a comfortable level.

## Playing an iPod®

### To connect an iPod®:

- 1 Select the appropriate iPod® dock adapter for your iPod®.

| iPod® Models Supported                                | Dock adapter |
|---|--------------|
| iPod® Classic 80/120 GB<br>iPod® 5th generation 30 GB | 9            |
| iPod® Classic 160 GB<br>iPod® 5th generation 60/80 GB | 10           |
| iPod® Nano 2nd generation                             | 11           |
| iPhone®   | 12           |
| iPod® Nano 3rd generation                             | 13           |
| iPod® Touch   | 14           |

- 2 Insert the dock adapter into the iPod® dock.
- 3 Carefully place your iPod® into the dock (the iPod® must not be in a case or *skin*). Make sure the connector plug is firmly inserted into the connector port of your iPod®.
- 4 To remove the insert, first remove your iPod®, then grip the insert and gently pull it upwards.

#### Notes

- Always set volume to the minimum when connecting or disconnecting other equipment.
- When you connect your iPod® to your clock radio, make sure you insert it all the way.

**To listen to an iPod®:**

- 1 Turn on your iPod®, then place it into the iPod® dock. The clock radio automatically turns on and you hear the iPod® music playing from your clock radio

**Notes**

If the iPod® volume is too low, the clock radio may not detect it. Press the **PLAY/PAUSE** button on the clock radio twice to begin playback.

- 2 When the iPod® is docked and in standby mode, press the **PLAY/PAUSE** button on the clock radio to begin playback. The iPod® icon appears on the clock radio LCD.
  - Press the **PLAY/PAUSE** button again to pause play, then press it again to resume play.
  - Press the **VOLUME +/-** buttons on the clock radio to adjust the system volume.
  - Turn the **TUNING/SKIP** knob to go to the next or previous track.
- 3 Press the **STANDBY/ON** button to turn your clock radio off. The iPod® will continue charging while in the dock.

***Charging your iPod®***

The iPod® is charged while it is set on your clock radio and your clock radio is powered on.

- Make sure the AC adapter is connected to your clock radio.
- The iPod® is charged regardless of the sound source selected on your clock radio.

- See the iPod® instruction manual about the details of iPod® charging.

**Notes**

- The connector plug is protected with a cover when it is first purchased. Remove the cover before operating the clock radio.
- Do not carry the clock radio with your iPod® connected. You might drop it and damage to the connector.
- Do not touch or hit the iPod® terminal pins or the connector pins directly. It might cause damage to the connector part.
- If the iPod® does not play correctly, update your iPod® software to the latest version. For details about updating your iPod®, check on the Apple web site: <<http://www.apple.com>>.
- iPod® is a trademark of Apple Inc., registered in the U.S. and other countries.
- We are not responsible for any loss of or damage to your iPod® that might result from the use of this product.
- Sound distortion may occur when playing back audio sources with high recording levels. When distortion occurs, we recommend that you turn off the iPod® equalizer. For information on operating the iPod®, see the iPod® instruction manual.

## Troubleshooting

| Problem                 | Cause/Solution  |
|-------------------------|---|
| No power                | <ul style="list-style-type: none"> <li>• Make sure that the AC power adapter is fully inserted into the AC power outlet.</li> <li>• Make sure that the AC power outlet is working.</li> </ul>   |
| Cannot connect an iPod® | <ul style="list-style-type: none"> <li>• Make sure that the dock adapter you selected is compatible with your iPod®.</li> <li>• Make sure that the dock adapter is correctly mounted on the clock radio.</li> </ul>   |
| Cannot play an iPod®    | <ul style="list-style-type: none"> <li>• Make sure that the iPod® is firmly inserted into the iPod® connector on your clock radio.</li> <li>• Make sure that the iPod® is working. Test it before trying to connect it to the clock radio.</li> <li>• Make sure that the firmware in your iPod® is current. For more information, go to <a href="http://www.apple.com/ipod/download">http://www.apple.com/ipod/download</a>.</li> <li>• Your clock radio cannot control first or second generation iPods®.</li> </ul> |
| Cannot charge an iPod®  | <ul style="list-style-type: none"> <li>• Make sure that the iPod® is firmly inserted into the iPod® dock on your clock radio.</li> <li>• Make sure that the AC adapter is plugged in and firmly connected to the <b>DC IN</b> port on your clock radio.</li> </ul>  |



| Problem   | Cause/Solution   |
|---|--|
| No sound from the speakers  | <ul style="list-style-type: none"> <li>• Make sure that the volume level is set correctly.</li> </ul>  |
| Static or noise when playing the radio                              | <ul style="list-style-type: none"> <li>• Make sure that the station is tuned correctly and that the station has a good signal.</li> <li>• Try another station.</li> <li>• If you are playing an AM station, rotate the antenna to improve the reception.</li> <li>• If you are playing an FM station, extend the antenna wire to improve the reception.</li> </ul> |
| The sound is distorted  | <ul style="list-style-type: none"> <li>• Make sure that the volume level is not set too high.</li> <li>• Make sure that the material on the sound source is not distorted. Try a different external sound source.</li> </ul>   |
| The clock radio gets warm after extended play at high volume levels | This is normal.  |

## Maintaining

### Cleaning your clock radio

**To clean your clock radio, follow these guidelines:**

- Use a soft, clean cloth moistened with plain, luke-warm water to clean the exterior of your clock radio.
- Do not let liquid drip into the inside of your clock radio.
- For stubborn stains, use a soft cloth dampened with a weak solution of mild detergent and water. Dry your clock radio immediately afterwards with a clean cloth. Do not use abrasive clothes, thinners, alcohol, or other chemical solvents, because they may damage the finish or remove the panel lettering.

## Specifications

Specifications are subject to change without notice.

|                   |   |
|-------------------|---|
| Power requirement | AC - 100~240 V, 50~60 Hz<br>DC - 2 x AA batteries for tuner memory backup |
| Power consumption | 18 Watts  |

|                       |  |
|-----------------------|--|
| Dimensions            | 9.84 x 6.3 x 2.76 inches (250 x 160 x 70 mm)   |
| Tuner                 | Bands: FM and AM<br>Range: FM - 87.5~107.9 MHz<br>AM - 530~1710 KHz<br>Presets: FM - 10<br>AM - 10 |
| Speaker               | 8 ohm  |
| Speaker output        | 2 Watts per channel  |
| AUX input sensitivity | 1000 mV  |

## Legal notices

### FCC Part 15

This device complies with Part 15 of the FCC Rules. Operation of this product is subject to the following two conditions: (1) this device may not cause harmful interference, and (2) this device must accept any interference received, including interference that may cause undesired operation.

This equipment has been tested and found to comply within the limits for a class B digital device, pursuant to Part 15 of the FCC Rules. These limits are designed to provide reasonable protection against harmful interference in a residential installation. This equipment generates, uses, and can radiate radio frequency energy and, if not installed and used in accordance with the instructions, may cause harmful interference to radio communications. However, there is no guarantee that interference will not occur in a particular installation. If this equipment does cause harmful interference to radio or television reception, which can be determined by turning the equipment off and on, the user is encouraged to try to correct the interference by one or more of the following measures:

- Reorient or relocate the receiving antenna.
- Increase the separation between the equipment and receiver.
- Connect the equipment into an outlet on a circuit different from that to which the receiver is connected.
- Consult the dealer or an experienced technician for help.

### FCC warning

Changes or modifications not expressly approved by the party responsible for compliance with the FCC Rules could void the user's authority to operate this equipment.

### Energy Star®

As an Energy Star Partner, Insignia has determined that his product or product models meet the Energy Star guidelines for energy efficiency.



## 90-day limited warranty

Insignia Products (“Insignia”) warrants to you, the original purchaser of this new **NS-CL1112** (“Product”), that the Product shall be free of defects in the original manufacture of the material or workmanship for a period of 90 days from the date of your purchase of the Product (“Warranty Period”). This Product must be purchased from an authorized dealer of Insignia brand products and packaged with this warranty statement. This warranty does not cover refurbished Product. If you notify Insignia during the Warranty Period of a defect covered by this warranty that requires service, terms of this warranty apply.

### ***How long does the coverage last?***

The Warranty Period lasts for 90 days from the date you purchased the Product. The purchase date is printed on the receipt you received with the Product.

### ***What does this warranty cover?***

During the Warranty Period, if the original manufacture of the material or workmanship of the Product is determined to be defective by an authorized Insignia repair center or store personnel, Insignia will (at its sole option): (1) repair the Product with new or rebuilt parts; or (2) replace the Product at no charge with new or rebuilt comparable products or parts. Products and parts replaced under this warranty become the property of Insignia and are not returned to you. If service of Products or parts are required after the Warranty Period expires, you must pay all labor and parts charges. This warranty lasts as long as you own your Insignia Product during the Warranty Period. Warranty coverage terminates if you sell or otherwise transfer the Product.

### ***How to obtain warranty service?***

If you purchased the Product at a retail store location, take your original receipt and the Product to the store you purchased it from. Make sure that you place the Product in its original packaging or packaging that provides the same amount of protection as the original packaging. If you purchased the Product from an online web site, mail your original receipt and the Product to the address listed on the web site. Make sure that you put the Product in its original packaging or packaging that provides the same amount of protection as the original packaging.

To obtain in-home warranty service for a television with a screen 30 inches or larger, call 1-888-BESTBUY. Call agents will diagnose and correct the issue over the phone or will have an Insignia-approved repair person dispatched to your home.

### ***Where is the warranty valid?***

This warranty is valid only to the original purchaser of the product in the United States, Canada, and Mexico.

### ***What does the warranty not cover?***

This warranty does not cover:

- Customer instruction
- Installation
- Set up adjustments
- Cosmetic damage
- Damage due to acts of God, such as lightning strikes
- Accident
- Misuse
- Abuse
- Negligence
- Commercial use

- Modification of any part of the Product, including the antenna
- Plasma display panel damaged by static (non-moving) images applied for lengthy periods (burn-in).

This warranty also does not cover:

- Damage due to incorrect operation or maintenance
- Connection to an incorrect voltage supply
- Attempted repair by anyone other than a facility authorized by Insignia to service the Product
- Products sold as is or with all faults
- Consumables, such as fuses or batteries
- Products where the factory applied serial number has been altered or removed

REPAIR REPLACEMENT AS PROVIDED UNDER THIS WARRANTY IS YOUR EXCLUSIVE REMEDY. INSIGNIA SHALL NOT BE LIABLE FOR ANY INCIDENTAL OR CONSEQUENTIAL DAMAGES FOR THE BREACH OF ANY EXPRESS OR IMPLIED WARRANTY ON THIS PRODUCT, INCLUDING, BUT NOT LIMITED TO, LOST DATA, LOSS OF USE OF YOUR PRODUCT, LOST BUSINESS OR LOST PROFITS. INSIGNIA PRODUCTS MAKES NO OTHER EXPRESS WARRANTIES WITH RESPECT TO THE PRODUCT, ALL EXPRESS AND IMPLIED WARRANTIES FOR THE PRODUCT, INCLUDING, BUT NOT LIMITED TO, ANY IMPLIED WARRANTIES OF AND CONDITIONS OF MERCHANTABILITY AND FITNESS FOR A PARTICULAR PURPOSE, ARE LIMITED IN DURATION TO THE WARRANTY PERIOD SET FORTH ABOVE AND NO WARRANTIES, WHETHER EXPRESS OR IMPLIED, WILL APPLY AFTER THE WARRANTY PERIOD. SOME STATES, PROVINCES AND JURISDICTIONS DO NOT ALLOW LIMITATIONS ON HOW LONG AN IMPLIED WARRANTY LASTS, SO THE ABOVE LIMITATION MAY NOT APPLY TO YOU. THIS WARRANTY GIVES YOU SPECIFIC LEGAL RIGHTS, AND YOU MAY ALSO HAVE OTHER RIGHTS, WHICH VARY FROM STATE TO STATE OR PROVINCE TO PROVINCE.

Contact Insignia:

For customer service please call 1-877-467-4289

[www.insigniaproducts.com](http://www.insigniaproducts.com)

Distributed by Best Buy Purchasing, LLC

7601 Penn Avenue South, Richfield, Minnesota, U.S.A. 55423-3645

© 2009 Best Buy Enterprise Services, Inc.

All rights reserved. INSIGNIA is a trademark of Best Buy Enterprise Services, Inc. Registered in some countries. All other products and brand names are trademarks of their respective owners.

# INSIGNIA™

[www.insigniaproducts.com](http://www.insigniaproducts.com) (877) 467-4289

Distributed by Best Buy Purchasing, LLC  
7601 Penn Avenue South, Richfield, MN USA 55423-3645  
© 2009 Best Buy Enterprise Services, Inc.

All rights reserved. INSIGNIA is a trademark of Best Buy Enterprise Services, Inc. Registered in some countries.  
All other products and brand names are trademarks of their respective owners.

ENGLISH  
09-0459

## Free Manuals Download Website

<http://myh66.com>

<http://usermanuals.us>

<http://www.somanuals.com>

<http://www.4manuals.cc>

<http://www.manual-lib.com>

<http://www.404manual.com>

<http://www.luxmanual.com>

<http://aubethermostatmanual.com>

Golf course search by state

<http://golfingnear.com>

Email search by domain

<http://emailbydomain.com>

Auto manuals search

<http://auto.somanuals.com>

TV manuals search

<http://tv.somanuals.com>