

Congratulations on your purchase of a high-quality Insignia product. Your Boom Box with iPod Dock/CD is designed for reliable and trouble-free performance. Use this guide for initial setup.

Package contents

- Boom box with iPod Dock/CD
- AC power adapter
- Quick Setup Guide

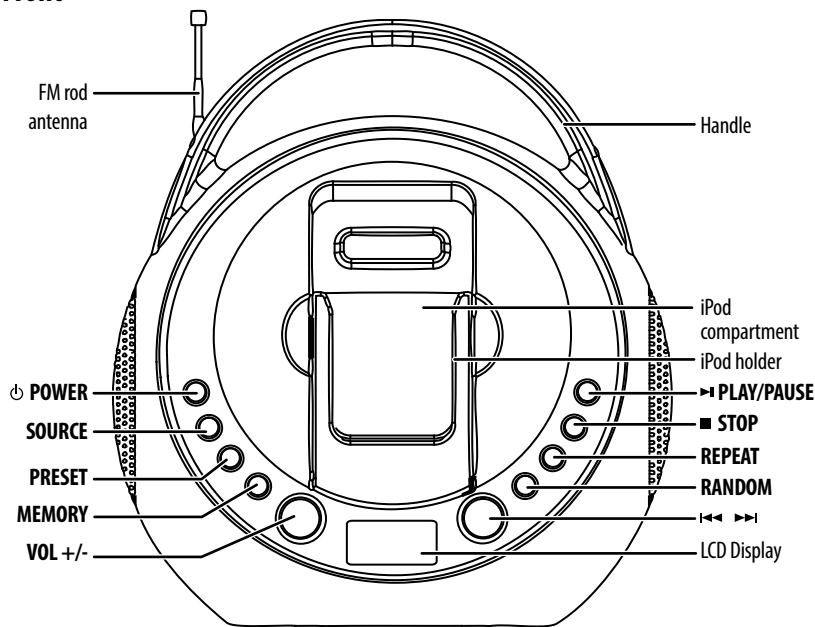


"Made for iPod" and "Made for iPhone" mean that an electronic accessory has been designed to connect specifically to iPod or iPhone, respectively, and has been certified by the developer to meet Apple performance standards. Apple is not responsible for the operation of this device or its compliance with safety and regulatory standards. Please note that the use of this accessory with iPod or iPhone may affect wireless performance.

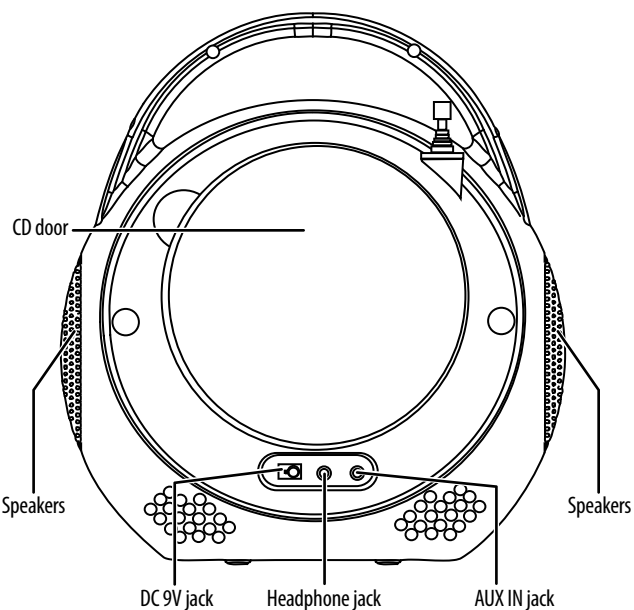
Before using your new product, please read these instructions to prevent any damage.

Features

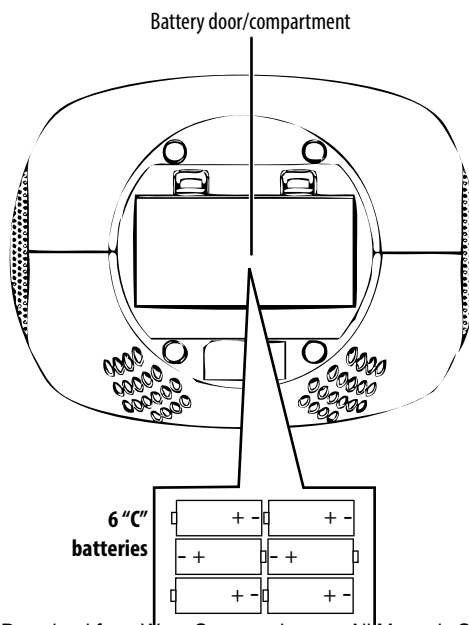
Front



Back



Bottom



Introduction

Please read these instructions carefully before using this product and retain them in a safe place for future reference.

Power supply

This product can be powered by either the included AC power adapter (100/240V, 50-60Hz), or by six "C" size alkaline batteries.

Using batteries

- 1 Open the battery compartment on the bottom of your boom box.
- 2 Insert 6 "C" size alkaline batteries (not supplied) into the battery compartment, observing the correct polarity as indicated inside the battery compartment.
- 3 Close the battery compartment.

Notes: Ensure the compartment cover is securely fitted. When you replace the batteries, make sure you replace them all at the same time and with the same type of battery. If the product is not to be used for an extended period of time, the batteries should be removed to prevent any possible damage to the product from corrosive leakage which will invalidate the warranty. When the batteries reach 20% of capacity, a low battery icon flashes to let you know to change batteries.

Using AC

- 1 Plug one end of the AC power adapter into the DC 9V jack on the back of your boom box.
- 2 Plug the other end into an AC power outlet.

Powering your boom box

- 1 Press the **POWER** button to turn the boom box ON.
- 2 Press **POWER** again to turn the boom box OFF when finished listening.

Controlling the volume

Press the **VOLUME +/-** buttons to the desired level.

Listening to an external audio device

- 1 Using an audio cable with a 3.5 mm stereo plug (not provided), connect the external audio equipment to the AUX IN jack on the back panel of your boom box.
- 2 Repeatedly press the **SOURCE** button until AUX appears in the display. Audio plays through the speakers.

Using headphones

Use headphones with a 3.5 mm plug (you may need to buy an adapter if your headphones are different). The speakers are automatically switched off when the headphones are being used.

Caution: Listening to high volume sound for long periods of time can damage your hearing.

Listening to the radio

- 1 Press the **POWER** button to turn the boom box ON. The LCD display turns on.
- 2 Repeatedly press the **SOURCE** button until the FM mode is selected.

Example: FM mode



- 3 Press the **FM TUNE** buttons to tune to the desired station.

Auto Tuning

Press the **FM TUNE** buttons momentarily and release. The tuner will move up or down by 0.2 MHz continually until stop at next/previous exist station.

Manual Tuning

Press and hold the **FM TUNE** buttons until the display approaches your desired station. Tap the buttons repeatedly until the display shows the exact frequency.

- 4 When you have finished listening, press the **POWER** button to turn the boom box OFF.

Storing preset stations

The unit enables you to program 10 stations of FM band.

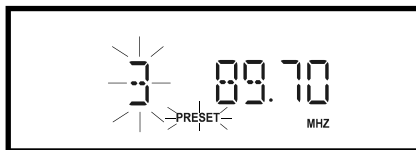
- 1 Tune to the station you wish to store by pressing the **←/→** buttons.



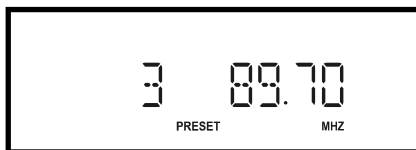
- 2 Press the **MEMORY** button once.



- 3 Press the **PRESET** button repeatedly to set the desired preset station number.



- 4 Press the **MEMORY** button again. The station is stored in channel 3.



- 5 To store other stations, repeat above steps.

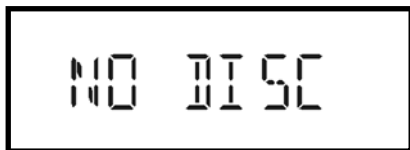
RECALLING PRESET STATION

Press the **PRESET** button repeatedly to select the desired station.

Playing Compact Discs

- 1 Press the **POWER** button to ON.
- 2 Repeatedly press the **SOURCE** button to select CD mode. CD READ flashes in the display.
- 3 If there is no disc inside, "NO DISC" is displayed.

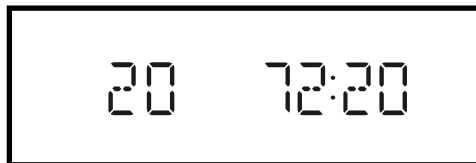
When there is no disc



To load a disc

- 1 Lift up the CD door.
- 2 Load a disc inside and then close the CD door. After that, reading disc will start.
Note: Ensure the disc is pushed fully and locked in place.

After reading TOC



To play the Disc

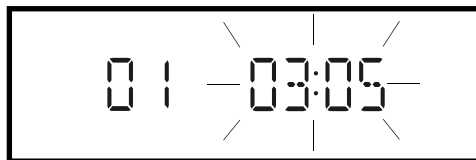
In CD stop mode, press **PLAY/PAUSE** to play the CD.



To pause disc playing

Press the **PLAY/PAUSE** button while the disc is playing. Press it again to resume playing.

While paused



To stop disc playing

Press the **STOP** button.

Stop display



FCC Part 15

This device complies with Part 15 of the FCC Rules. Operation of this product is subject to the following two conditions:

(1) this device may not cause harmful interference, and (2) this device must accept any interference received, including interference that may cause undesired operation.

This equipment has been tested and found to comply within the limits for a class B digital device, pursuant to Part 15 of the FCC Rules. These limits are designed to provide reasonable protection against harmful interference in a residential installation. This equipment generates, uses, and can radiate radio frequency energy and, if not installed and used in accordance with the instructions, may cause harmful interference to radio communications. However, there is no guarantee that interference will not occur in a particular installation. If this equipment does cause harmful interference to radio or television reception, which can be determined by turning the equipment off and on, the user is encouraged to try to correct the interference by one or more of the following measures:

- Reorient or relocate the receiving antenna.
- Increase the separation between the equipment and receiver.
- Connect the equipment into an outlet on a circuit different from that to which the receiver is connected.
- Consult the dealer or an experienced technician for help.

FCC warning

Changes or modifications not expressly approved by the party responsible for compliance with the FCC Rules could void the user's authority to operate this equipment.

Canada ICES-003 statement

This Class B digital apparatus complies with Canadian ICES-003.

iPod/iPhone operation

Insert the iPod/iPhone

Insert the iPhone or iPod firmly in the compartment.

Playback iPod/iPhone files

- 1 Press the **POWER** button to ON.
- 2 Repeatedly press the **SOURCE** button to select iPod mode. The display shows the following.



If there are files of proper format on your iPod/iPhone playback will start from the where playback was last stopped or paused. If there are no files of proper format on your iPod/iPhone, the following symbols will appear on the display:



- 3 Press the **PLAY/PAUSE** button to begin playback.

Note: When the unit is playing in iPhone mode and you receive a call, it stops playback and you hear the iPhone ring tone through your boom box.

- 4 To pause the playback, press the **PLAY/PAUSE** button. To resume playback, press the **PLAY/PAUSE** button again.

Note: To stop playback, press the **PLAY/PAUSE** button, the **STOP** button does not function in the iPod/iPhone mode.

Free Manuals Download Website

<http://myh66.com>

<http://usermanuals.us>

<http://www.somanuals.com>

<http://www.4manuals.cc>

<http://www.manual-lib.com>

<http://www.404manual.com>

<http://www.luxmanual.com>

<http://aubethermostatmanual.com>

Golf course search by state

<http://golfingnear.com>

Email search by domain

<http://emailbydomain.com>

Auto manuals search

<http://auto.somanuals.com>

TV manuals search

<http://tv.somanuals.com>