

User Guide | Guide de l'utilisateur | Guía del Usuario



Dual-Screen DVD Player
Lecteur de DVD à deux écrans | Reproductor de DVD con dos pantallas

NS-MDDVD10

Download from www.Somanuals.com. All Manuals Search And Download.

Insignia NS-MDDVD10 Dual-Screen Portable DVD Player

Contents

Introduction	3
Safety information	3
Features	5
Setting up your DVD player	7
Using your DVD player	11
Maintaining your DVD player	17
Troubleshooting	17
Limited warranty	18
Copyright	18
Français	19
Español	38

Introduction

Congratulations on your purchase of a high-quality Insignia product. Your NS-MDDVD10 dual-screen portable DVD player represents the state-of-the-art in DVD players, designed for reliable and trouble-free performance. This DVD player includes the following components:

- Remote control (with battery)
- AC adapter with AC power cord
- Car power adapter
- Audio/video cable
- Headphones
- Strap
- Carrying bag
- This *User Guide*

Safety information

Warning 	To reduce the risk of fire or electric shock, do not expose your DVD player to rain or moisture.
Warning 	To reduce the risk of electric shock, do not remove the cover (or back). No user serviceable parts inside. Refer servicing to qualified service personnel.
Caution 	Changes or modifications to this unit not expressly approved by the party responsible for compliance could void user authority to operate the equipment.

Read instructions

Read all safety and operating instructions before operating your DVD player.

Retain instructions

Keep the safety and operating instructions for future reference.

Heed warnings

Follow all warnings on your DVD player and in the operating and use instructions.

Water and moisture

Do not use your DVD player near water, for example, near a bathtub, washbowl, kitchen sink, laundry tub, in a wet basement, or near a swimming pool.

Wall or ceiling mounting

Do not mount your DVD player to a wall or ceiling unless it is recommended by the manufacturer.

Accessories

Use only attachments and accessories specified by the manufacturer. Use the DVD player only with a cart, stand, tripod, bracket, or table specified by Insignia or sold with the DVD player. When using a cart, use caution when moving the cart and DVD player combination to avoid injury from it tipping over.



Ventilation

Slots and openings in the cabinet back or bottom are provided for ventilation, to ensure reliable operation of your DVD player, and to protect it from overheating. These openings must not be blocked or covered. Do not place the unit on a bed, sofa, rug, or other similar surface. Do not place the unit near or over a radiator or heat source. Do not place your DVD player in a built-in installation such as a bookcase or rack unless you provide correct ventilation or follow the manufacturer's instructions.

Power source

Operate your DVD player only from the type of power source indicated on the rating plate (located on the rear of the DVD player).

If you are not sure of the type of power supply to your home, consult your DVD player dealer or local power company.

Grounding and polarization

Your DVD player is equipped with a polarized alternating-current line plug (a plug having one blade wider than the other). This plug will fit into the power outlet only one way. This is a safety feature. If you are unable to insert the plug fully into the outlet, try reversing the plug. If the plug should still fail to fit, contact your electrician to replace your obsolete outlet.

Instead of the polarized alternating-current line plug, your DVD player may be equipped with a 3-wire grounding-type plug (a plug having a third (grounding) pin). This plug will only fit into a grounding-type power outlet. This too, is a safety feature. If you are unable to insert the plug into the outlet, contact your electrician to replace your obsolete outlet. Do not defeat the safety purpose of the grounding-type plug.

Power cord protection

Route power supply cords so they are not likely to be walked on or pinched by items placed on or against them. Pay particular attention to cords at plugs, wall outlet, and the point where they exit from your DVD player.

Headphones

When you use the headphones, keep the volume at a moderate level. If you use the headphones continuously with high volume sound, it may cause hearing damage.

Lightning

To protect your DVD player from a lightning storm, or when it is left unattended and unused for long periods of time, unplug it from the wall outlet and disconnect the antenna or cable system. This will prevent damage to your DVD player from lightning and power line surges.

Overloading

Do not overload wall outlets or extension cords. This can result in a risk of fire or electric shock.

Object and liquid entry

Do not push objects through any openings in your DVD player because they may touch dangerous voltage points or short out parts that could result in fire or electric shock. Never spill or spray any type of liquid into your DVD player.

Damage requiring service

Do not attempt to service your DVD player yourself. Opening or removing covers may expose you to dangerous voltage or other hazards. Unplug your DVD player from the wall outlet and refer servicing to qualified service personnel under the following conditions:

- When the power supply cord or plug is damaged.
- If liquid has been spilled, or objects have fallen, into your DVD player.
- If your DVD player has been exposed to rain or water.
- If your DVD player does not operate normally by following the operating instructions. Adjust only those controls that are covered by the operating instructions because an incorrect adjustment of other controls may result in damage and will often require extensive work by a qualified technician to restore your DVD player to its normal operation.
- If your DVD player has been dropped or the cabinet has been damaged.
- A distinct change in performance of your DVD player indicates a need for service.

Replacement parts

When replacement parts are required, make sure that the service technician uses replacement parts specified by the manufacturer or those that have the same characteristics as the original part.

Unauthorized substitutions may result in fire, electric shock, or other hazards.

Safety check

Upon completion of any service or repairs to your DVD player, ask the service technician to perform safety checks to determine that your DVD player is in correct operating condition.

Heat

Locate your DVD player away from heat sources such as radiators, heat registers, stoves, or other products (including amplifiers) that produce heat.

Disc slot

Keep your fingers clear of the disc slot as it is closing. You may injure yourself.

Laser beam

Do not look into the ventilation opening or disc slot opening of your DVD player to see the laser beam source. It may cause sight damage.

Disc

Do not use a cracked, deformed, or repaired disc. Discs are easily broken and may cause serious personal injury and product malfunction.

Equipment classification

Do not use This is classified as Class II equipment, which means that the DVD player has a double-insulation system.

FCC compliance

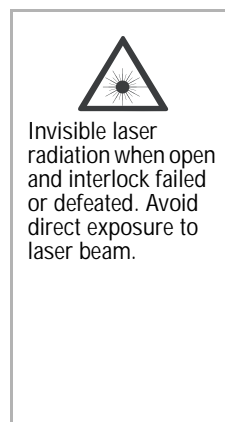
This equipment has been tested and found to comply within the limits for a class B digital device, pursuant to Part 15 of the FCC Rules. These limits are designed to provide reasonable protection against harmful interference in a residential installation. This equipment generates, uses, and can radiate radio frequency energy and, if not installed and used in accordance with the instructions, may cause harmful interference to radio communications. However, there is no guarantee that interference will not occur in a particular installation. If this equipment does cause harmful interference to radio or television reception, determined by turning the equipment off and on, the user is encouraged to try to correct the interference by one or more of the following measures:

- Reorient or relocate the receiving antenna.
- Increase the separation between the equipment and receiver.
- Connect the equipment into an outlet on a circuit different from that to which the receiver is connected.
- Consult the dealer or an experienced radio / TV technician for help.

Shielded cables must be used with this unit to ensure compliance with the Class FCC limits.

Safety certification

This DVD player is made and tested to meet safety standards of the FCC, requirements and compliance with safety performance of the U.S. Department of Health and Human Services, and also with FDA Radiation Performance Standards 21 CFR Subchapter J.



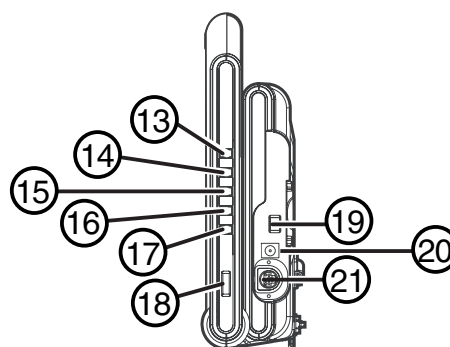
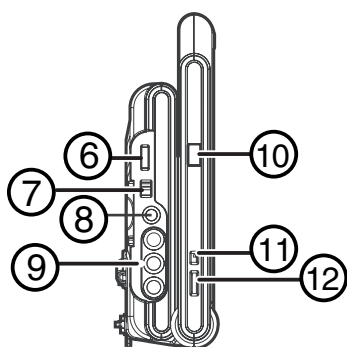
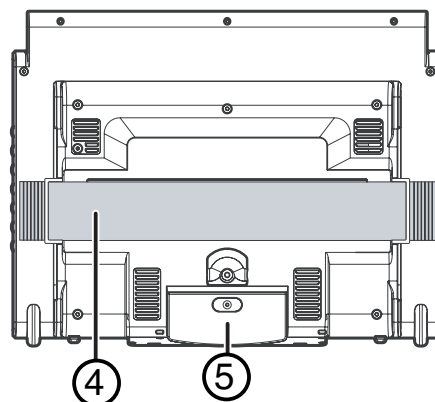
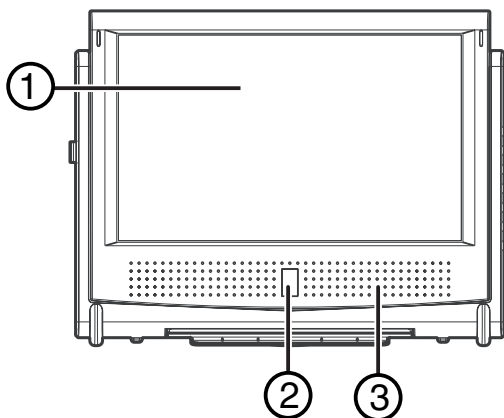
Laser safety

This DVD player employs an optical laser beam system in the CD mechanism, designed with built-in safeguards. Do not attempt to disassemble. Refer to qualified service personnel. Exposure to this invisible laser light beam may be harmful to the human eye.

This is a Class-1 laser product. Use of controls, adjustments, or procedures other than those specified herein may result in hazardous laser light beam exposure.

Features

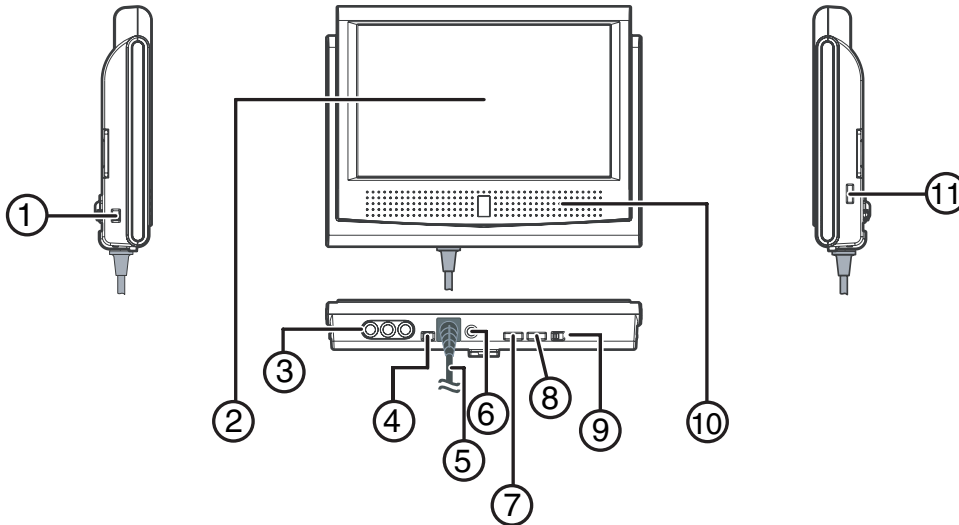
Front, back, left, and right controls



Number	DVD control	Function
1	Screen	Use to view DVD.
2	Power indicator	When the Power On/Off button is pressed to On , the light turns on.
	Remote control sensor	Receives the remote control signal.
3	Speaker	Provides sound from DVD player.
4	Strap	Attaches DVD player to car seat.
5	Stand	Supports DVD player.
6	Volume control	Press to adjust the volume.
7	AV In/DVD switch	Press to select between the DVD player or an external video source.
8	Headphone jack	Use to plug in headphones.
9	Video and Audio In/Out jacks	Use to plug in external video and audio sources.
10	Open button	Press to open the disc door.
11	Screen switch	Selects wide screen or normal screen display.
12	Brightness control	Adjusts the lightness or darkness of the screen.
13	Prev << button	Press to go back to previous chapters/tracks. Press and hold for fast reverse. Four speeds are available.

Number	DVD control	Function
14	Next >> button	Press to advance to chapters/tracks. Press and hold to begin fast forward. Four speeds are available.
15	Stop button	Press to stop playing a disc.
16	Pause button	Press to pause playback of disc. Each time you press this button, the picture advances one frame. Press Play to resume playback.
17	Play button	Press to start or resume playing a disc.
18	Color control	Adjusts color intensity.
19	Power ON/OFF switch	Press to turn DVD player on or off.
20	DC in 9V/car plug - 12Vjack	Use to plug in DC power cord.
21	Connect to monitor ports	Use to connect monitor to DVD player.

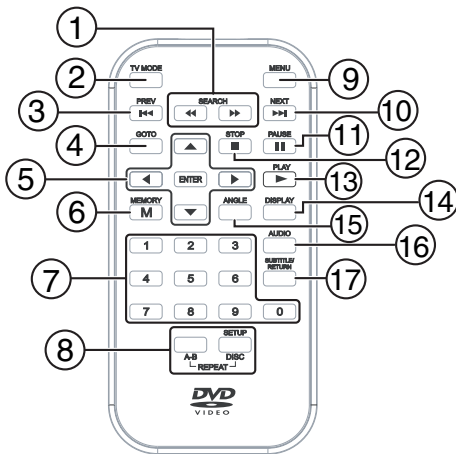
Monitor



Number	Monitor control	Function
1	Monitor ON/OFF switch	Press to turn monitor on or off.
2	Screen	Use to view DVD.
3	Video and Audio In jacks	Use to plug in external video and audio sources.
4	AV 1 / AV 2 switch	Use to switch between external modes.
5	Built-in DIN cable (Input)	Connects to port on the DVD player.
6	Headphone jack	Use to plug in headphones.
7	Brightness control	Adjusts color lightness or darkness on the monitor.
8	Color control	Adjusts color intensity.
9	Screen switch	Press to switch between normal and wide screen.
10	Speaker	Provides sound from DVD player.
11	Volume control	Adjusts the volume.

Number	Remote control	Function
2	TV Mode button	In stop mode, select one of the following three options: <ul style="list-style-type: none"> • Letter Box • Pan Scan • Wide Screen on TV
3	Prev button	Press to go back to previous titles/chapters/tracks.
4	GOTO button	Skip directly to a location on a DVD.
5	Cursor buttons	Press to highlight selections on a menu screen and adjust certain settings.
	Enter button	Confirm selections on a menu screen.
6	Memory button	In stop mode, enter the number of a selected chapter or track.
7	Number (0-9) buttons	Press when creating programs and entering a parental level password. Also press to select a CD track directly.
8	Setup button	In stop mode, open and close the SETUP menu.
	Repeat A-B/Disc buttons	<ul style="list-style-type: none"> • Perform point-to-point repeat playback on a DVD or CD. • Repeat chapter or title of a DVD. • Repeat single track or whole CD.
9	Menu button	Open and close DVD menu.
10	Next button	Press to move forward through titles/chapters/tracks.
11	Pause button	Pause playback or frame advance.
12	Stop button	Stop playing a disk.
13	Play button	Press start or resume play of a disc.
14	Display button	Change disc status information displayed on the screen.

Remote control



Number	Remote control	Function
1	Search buttons	Press << for fast reverse playback. Press >> for fast forward playback.

Number	Remote control	Function
15	Angle button	Switch between multiple camera angles when the DVD playing has multiple camera angles recorded.
16	Audio button	Select one audio sound tracks programmed on a DVD or select audio output mode on an AUDIO CD.
17	Subtitle/Return button	Select one of the subtitle languages programmed on a DVD or return to the normal operation after using the SETUP menu of a DVD.

Setting up your DVD player

Preparing the remote control

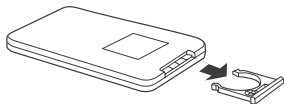
Installing remote control battery

Warning Do not throw the battery into fire. Dispose of used batteries as hazardous waste.

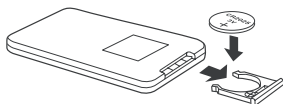
Caution Do not drop or disassemble the remote control. Do not get the remote control wet.

To install the battery in the remote control:

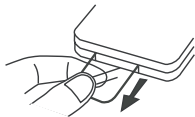
- 1 Remove the battery holder.



- 2 Insert one CR2025 (3-volt) battery into the battery compartment. Make sure that the +/- symbols on the battery match the +/- marks shown on the battery holder.



- 3 Slide the battery cover into the remote control.
- 4 Remove the PVC sheet before operating the remote control.



- 5 Point the remote control at the remote sensor on the DVD player. The effective distance for remote operation is about 16 feet (5 meters).

Note: When the remote control will not be used for a long period of time or when the battery is worn out, remove the battery to prevent leakage.

Note: When using the remote control and you are required to move closer to the stereo for the remote control to operate, replace the battery. The remote control may not operate correctly if direct sunlight or the light of a high-frequency fluorescent lamp enters the remote control light sensor. In this case, change the system installation position to prevent the problem.

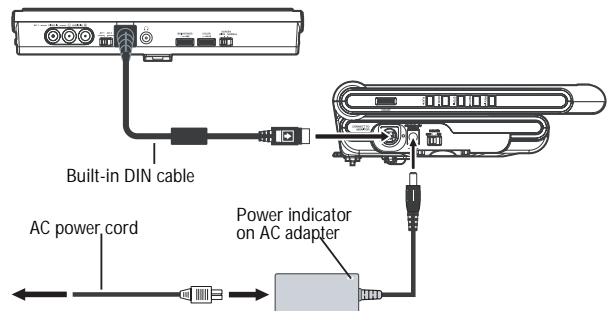
Connecting AC power

The AC adapter operates using AC power between 100 and 240 volts.

Note:

Before operating the DVD player in a new area for the first time, you must check that the operating voltage of your DVD player is identical to the voltage of your local power supply. This DVD player is to be operated only at the power source voltage printed on the back panel. Disconnect from the power outlet when not in use for a long period of time.

To connect the AC adapter:



- 1 Connect the built-in DIN cable from the bottom of the monitor to the **Main Unit** port on the DVD player.
- 2 Connect the plug end of the AC adapter to the **DC In 9V/Car Plug - 12V** jack on the DVD player.
- 3 Connect the AC power cord to the AC adapter.
- 4 Connect the AC power cord to an AC outlet. When the power cord is connected to the AC outlet, the power indicator will be on even if the DVD player is turned off.

Connecting DC power

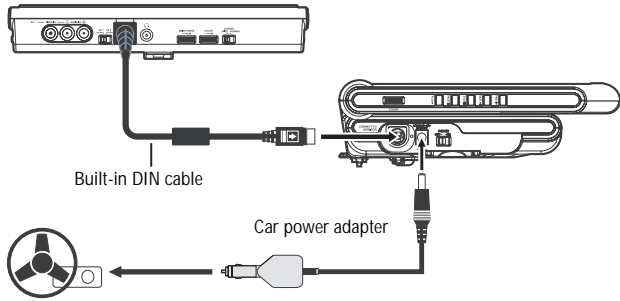
The car power adapter operates in vehicles with a 12-volt, negative-ground electrical system.

Warning Disconnect the car power adapter when not in use. Do not use this system in vehicles with 24-volt systems.

Caution

- Use this unit only with the included car power adapter. Using another car adapter could damage the unit or your vehicle.
- The 12V car power adapter included is for use with this unit only. Do not use it with any other equipment.
- In the interest of traffic safety, drivers should not operate the unit or view videos while driving.
- When the inside of the cigarette lighter socket is dirty with ashes or dust, the power section may become hot due to poor contact. Be sure to clean the cigarette lighter socket before use.
- After use, disconnect the car power adapter from both the unit and cigarette lighter socket.
- If the unit is not properly attached to a vehicle, it may become airborne in the event of an accident and cause damage, injury, or death.
- Check local traffic laws for rules governing use of video devices in vehicles before using this unit in your vehicle.

To connect the DC power cord:



- 1 Connect the built-in DIN cable from the bottom of the monitor to the **Main Unit** port on the DVD player.
- 2 Connect the plug end of the car power adapter to the **DC In 9V/Car Plug -12V** jack on the DVD player.
- 3 Connect the lighter plug end of the car power adapter to the cigarette lighter socket.

Installing the DVD player/monitor in car

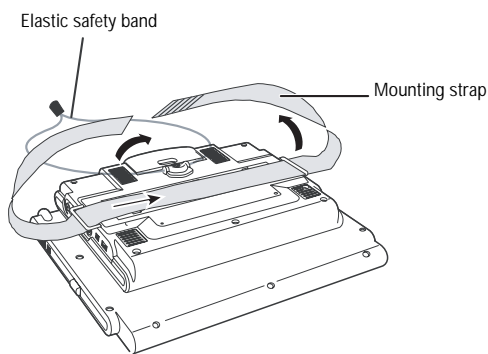
Use the supplied mounting strap to install the DVD player and monitor onto the seat back in a car.

Warning

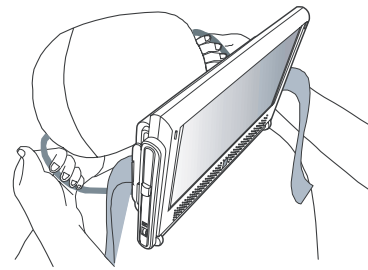
- This unit should never be used by the vehicle's driver or left unsecured in the vehicle while driving.
- If this unit is being used in your vehicle, be sure that it is secured or held safely and does not obstruct any safety device, including air bags or seat belts.
- All passengers should wear seat belts when using this unit in a moving vehicle.
- If in doubt, contact your vehicle manufacturer for further advice.

To install the unit/monitor:

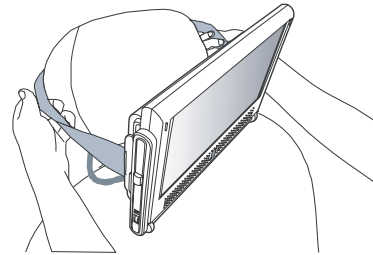
- 1 Loosen the elastic safety band and mounting strap on the back of the unit/monitor.



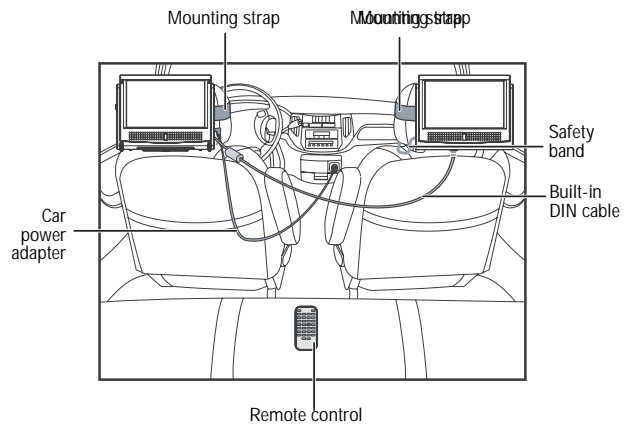
- 2 Loop the safety band around the headrest.



- 3 Tightly wrap the mounting strap around the headrest.

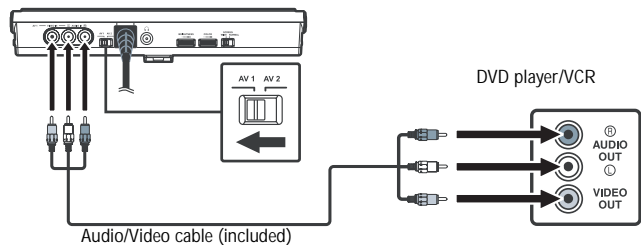


- 4 Make connections as shown. Adjust the screen and strap as necessary for optimal viewing angle.



Connecting the monitor to DVD player or VCR

To connect the monitor to DVD player or a VCR:



- 1 Move the **AV 1 / AV 2** switch on the left side of the DVD player to **AV 1**.
- 2 Connect the plugs from the one end of the audio/video cable (included) to the **Video and Audio In** jacks on the monitor:
 - Connect the yellow plug to the outside jack.
 - Connect the white plug to the center jack.
 - Connect the red plug to the jack nearest the built-in DIN cable.

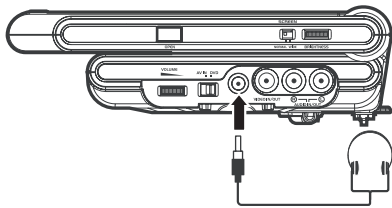
- 3 Connect the plugs from the other end of the audio/video cable to the jacks on the DVD player or VCR:
 - Connect the red plug to the right audio out jack.
 - Connect the white plug to the left audio out jack.
 - Connect the yellow plug to the video out jack.

Connecting headphones

You can connect headphones to either the monitor or to the main unit of the DVD player.

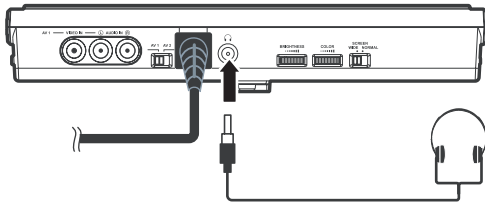
To connect the headphones:

- 1 Turn down the volume on the DVD player.
- 2 Plug the headphones into the **Headphone** jack on the side of the unit.



or

Turn down the volume on the monitor, then plug the headphones into the **Headphone** jack on the bottom of the monitor.

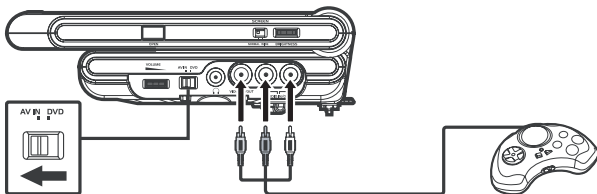


Note:
When the headphones are connected, the speakers on the main unit or the monitor are automatically disabled.

Connecting a game system

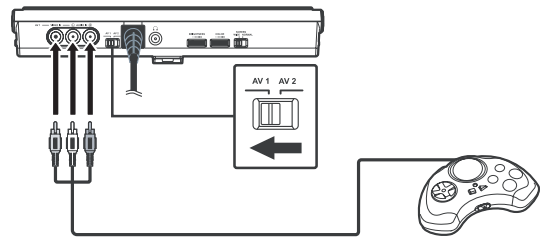
You can connect a game system to the main unit of the DVD player or to the monitor.

To connect a gaming system to the DVD player:



- 1 Move the **AV In/DVD** switch to **AV In**.
- 2 Connect the plugs from the game system cable to the **Video and Audio In/Out** jacks on the left side of the DVD player:
 - Connect the yellow plug to the jack nearest the **Headphone** jack.
 - Connect the red plug to the center jack.
 - Connect the white plug to the outside jack.

To connect a gaming system to the monitor:

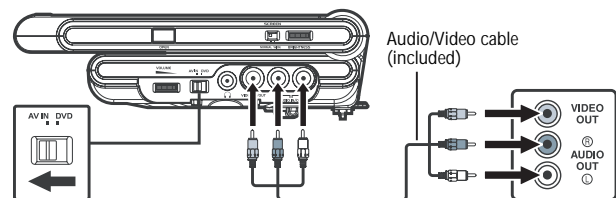


- 1 Move the **AV 1 / AV 2** switch to **AV 1**.
- 2 Connect the plugs from the game system to the **Video and Audio In** jacks on the monitor:
 - Connect the yellow plug to the outside jack.
 - Connect the white plug to the center jack.
 - Connect the red plug to the jack nearest the built-in DIN cable.

Connecting other video equipment

You can connect other video equipment to the main unit of the DVD player.

To connect other video equipment to the DVD player:



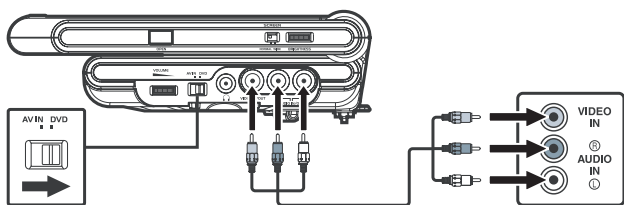
- 1 Move the **AV In/DVD** switch on the left side of the DVD player to **AV In**.
- 2 Connect the plugs from the one end of the audio/video cable (included) to the **Video and Audio In/Out** jacks on the left side of the DVD player:
 - Connect the yellow plug to the jack nearest the **Headphone** jack.
 - Connect the red plug to the center jack.
 - Connect the white plug to the outside jack.
- 3 Connect the plugs from the other end of the audio/video cable to the jacks on the video equipment:
 - Connect the yellow plug to the video out jack.
 - Connect the red plug to the right audio out jack.
 - Connect the white plug to the left audio out jack.

Note:
When using a mono VCR, the sound level coming from the speakers will be low.

Connecting a television to the DVD player

If your television has audio/video inputs, you can connect the TV to the main unit of the DVD player using the audio/video cable.

To connect a television to the DVD player:



- 1 Move the **AV In/DVD** switch to **DVD**.
- 2 Connect plugs from the one end of the audio/video cable (included) to the **Video and Audio In/Out** jacks on the left side of the DVD player:
 - Connect the yellow plug to the jack nearest the **Headphone** jack.
 - Connect the red plug to the center jack.
 - Connect the white plug to the outside jack.
- 3 Connect the plugs from the other end of the audio/video cable to the jacks on the TV:
 - Connect the yellow plug to the video in jack.
 - Connect the red plug to the right audio in jack.
 - Connect the white plug to the left audio in jack.
- 4 To watch a DVD on the TV:
 - Turn on the DVD player and slide the **AV In/DVD** switch to **DVD**.
 - Turn on the TV and follow instructions provided by the television manufacturer to play the DVD.

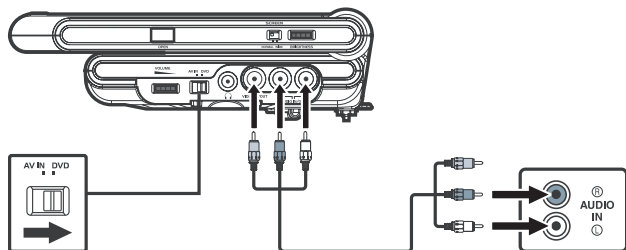
Note:
If your TV does not have audio/video inputs, you will need to purchase an RF modulator (sold separately) and follow the instructions included with it to connect the unit to your TV.

Connecting a stereo receiver or amplifier to the DVD player

You can connect a stereo receiver or an amplifier to the main unit of the DVD player using the audio/video cable.

This unit can play Dolby Digital, but only in two channels.

To connect a stereo receiver or amplifier to the DVD player:



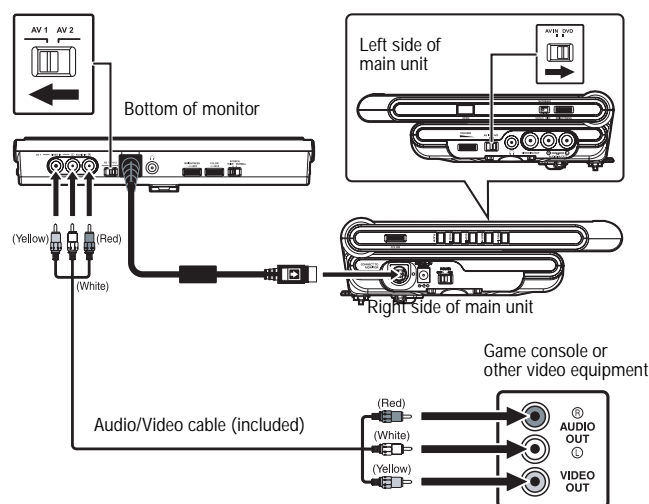
- 1 Move the **AV In/DVD** switch to **DVD**.
- 2 Connect plugs from the one end of the audio/video cable (included) to the **Video and Audio In/Out** jacks on the left side of the DVD player:
 - Connect the yellow plug to the jack nearest the **Headphone** jack.
 - Connect the red plug to the center jack.

- Connect the white plug to the outside jack.
- 3 Connect the plugs from the other end of the audio/video cable to the jacks on the stereo receiver or amplifier:
 - Connect the red plug to the right audio in jack.
 - Connect the white plug to the left audio in jack.
 - The yellow plug does not need to be connected.

Connecting the monitor and DVD player to other equipment

You can play a DVD in the main unit and use a game system or other video equipment with the monitor at the same time.

To connect the monitor and DVD player to other equipment:



- 1 Connect the built-in DIN cable from the bottom of the monitor to the **Main Unit** port on the right side of the main unit.
- 2 Connect the plugs from the one end of the audio/video cable (included) to the **Video and Audio In** jacks on the monitor:
 - Connect the yellow plug to the outside jack.
 - Connect the white plug to the center jack.
 - Connect the red plug to the jack nearest the built-in DIN cable.
- 3 Connect the plugs from the other end of the audio/video cable to the jacks on the game console or other video equipment:
 - Connect the red plug to the right audio out jack.
 - Connect the white plug to the left audio out jack.
 - Connect the yellow plug to the video out jack.

- Set the **AV In/DVD** switch on the left side of the main unit and the **AV 1 / AV 2** switch on the bottom of the monitor as shown in the following table:

Main unit		Monitor	
AV In/DVD switch	Display	AV 1 / AV 2 switch	Display
AV In mode	AV In	AV 1 mode	AV
DVD mode	DVD	AV 1 mode	AV
AV In mode	AV In	AV 2 mode	AV In
DVD mode	DVD	AV 2 mode	DVD

Using your DVD player

CDs and DVDs

This DVD player can play 3" (8 cm) and 5" (12 cm) single CDs or DVDs. the following discs:



Note

Always store discs in their cases. Do not expose discs to direct sunlight, high temperature, high humidity, or dust. When removing the disc from its case

- Do not touch the recorded surface opposite the side of the disc with the label.
- Do not stick paper on the label surface.
- Do not bend the disc.

When playing a CD-G (Graphics) or CD EXTRA disc, the audio portion will be played, but the graphic images will not be shown.

Copyright notes

- It is forbidden by law to copy, broadcast, show, broadcast on cable, play in public, rent copyrighted material without permission.
- Apparatus Claims of U.S. Patent Nos. 4,631,603; 4,577,216; 4,819,098 and 4,907,093 licensed for limited viewing uses only.
- Digital video discs are copy protected, and any recordings made from these discs will be distorted. This product incorporates copyright protection technology that is protected by method claims of certain U.S. patents and other intellectual property rights owned by Macrovision Corporation and other owners' rights.
- Use of this copyright protection technology must be authorized by Macrovision Corporation, and is intended for home and other limited viewing uses only, unless otherwise authorized by Macrovision Corporation. Reverse engineering or disassembly is prohibited.

Region management information

This unit is designed and manufactured to respond to the Region Management Information that is encoded on DVD discs. If the Region number printed on the DVD disc does not correspond to the Region number of this unit, this unit cannot play that disc. The region number of this unit is 1.

You may not be able to play some DVDs on this unit if they were purchased from outside your geographic area or made for business purposes.

Disc function or operation

The symbol appearing on the screen indicates that the function or operation attempted is not available at that time:



This occurs because the DVD disc manufacturer determines the specific functions.

Certain functions may not be available on some discs. Be sure to read the documentation provided with the DVD.

Icons used on DVDs

Sometimes icons are printed on DVDs to indicate a particular function. Some sample icons include:

	Language selections for audio 1 for English 2 for French
	Language selections for subtitles 1 for English 2 for French
	Screen aspect ratio
	Multiple camera angles
	Region code indicator

Titles, chapters, and tracks

DVDs are divided into **titles** and **chapters**.

If the disc has more than one movie on it, each movie would be a separate title. Chapters are sections of titles.

Audio CDs are divided into **tracks**. A track is usually one song on an audio CD.

Numbers identify each title, chapter, and track on a disc. Most discs have these numbers recorded on them, but some do not.

Sound system

Dolby Digital is a sound system developed by Dolby Laboratories, Inc. that gives movie theater ambiance to audio output when the unit is connected to a Dolby Digital 5.1 channel processor or amplifier. This unit automatically recognizes DVDs that have been recorded with Dolby Digital. Not all Dolby Digital sources are recorded with 6 channels. Some sources marked Dolby Digital may be recorded in Dolby Surround, a 2-channel system. Look for this logo on your unit:



The sound system is manufactured under license from Dolby Laboratories. Dolby and the double-D symbol are trademarks of Dolby Laboratories.

Turning the DVD player on and off

To turn on the DVD player:

- 1 Switch the main unit **Power ON/OFF** and the **Monitor ON/OFF** to on.
- 2 Set the **AV In/DVD** switch on the main unit to **DVD**.
- 3 Set the **AV 1 / AV 2** switch on the monitor to **AV 2**. The DVD logo appears on both screens to indicate system startup.

Note:

Disconnect the AC power supply cord or DC power cord when the unit is not going to be used for a long time.

Customizing the function settings

Language setup

To change system language:

- 1 Press the **Setup** button in stop mode to select **Language/Video**.
- 2 From the **Language/Video** screen, press the left or right cursor button to select **Language**.

Language Video

English
Deutsch
Français
Español
Italiano
Svenska
Português




- 3 Use the up or down cursor button to select the language, then press the **Enter** button. (The screen will change to your selected language.)
- 4 To exit the Setup Menu and return to the normal screen, press **Return**.

Video setup

There are three video options that can be set:

- TV Shape
- Brightness
- Edges

TV Shape also has three possible screen settings for viewing DVDs: pan scan, letter box, or wide screen.

<p>Pan Scan</p> <ul style="list-style-type: none"> • When wide-screen video is played, this mode clips the right and left sides of the image so that it can be viewed on a conventional screen. • Some wide-screen DVDs that do not permit Pan Scan mode playback are automatically played in letterbox mode (with black bands at top and bottom). 	<p>Cut off when a wide-screen video image is played.</p> 
<p>Letter Box</p> <p>When wide-screen video is played in this mode on a conventional screen, black bands appear at the top and bottom of the screen.</p>	
<p>Wide Screen</p> <p>This is the correct mode for playing wide-screen videos on a wide-screen.</p>	

Note:

The displayable picture size is preset on the DVD disc. Therefore the playback picture of some DVD discs may not conform to the picture size you select.

Note:

When you play DVD discs recorded in the 4:3 aspect ratio, the playback picture will always appear in the 4:3 aspect ratio regardless of the TV shape setting.

To change video settings:

- 1 Press the **Setup** button in stop mode to select **Language/Video**.
- 2 From the **Language/Video** screen:
 - Press the left or right cursor button to select **Video**.
 - Press the **Enter** button to access the video options.
 - Press the up or down cursor button to select the option (**TV Shape**, **Brightness**, or **Edges**), then press the right cursor button.

Language Video

TV Shape Letter Box
Brightness Off
Edges Off

- 3 Press the up or down cursor button to select your desired video setting, then press the **Enter** button. (The screen will change to your selected setting.)
- 4 Repeat steps 2 and 3 to adjust other options.
- 5 To exit the Setup Menu and return to the normal screen, press **Return**.

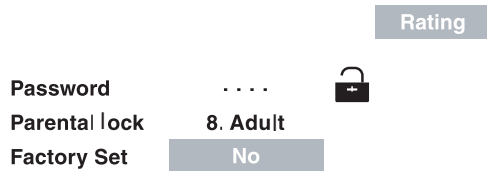
Rating

DVDs are equipped with a password function, and DVDs are rated according to their content.

Parents can control viewing privileges by using the parental lock, which is set up with levels for appropriate viewing. Control of viewing may vary from disc to disc. For example, if the disc allows, you could lock out violent scenes unsuitable for children or you could lock out playback of the disc altogether.

To set a rating:

- 1 Press the **Setup** button in stop mode.
- 2 Press the right or left cursor button to select **Rating**, then press the **Enter** button.



- 3 Press the up or down cursor button to select **Parental Lock**, then press the **Enter** button repeatedly until you see the lock level/rating setting desired.

The parental lock levels are equivalent to the following ratings:

1: KID SAFE	5: PG-R
2: G	6: R
3: PG	7: NC-17
4: PG-13	8: ADULT

Note:
You cannot play DVDs rated higher than the level you selected unless you cancel the parental lock function.

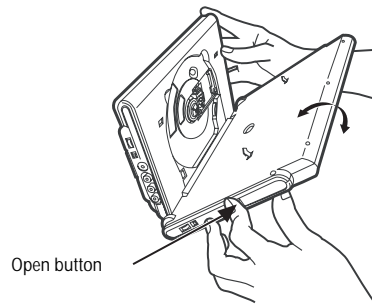
An icon on the screen indicates whether the lock is active:

	Indicates parental lock is not active
	Indicates the parental lock is active

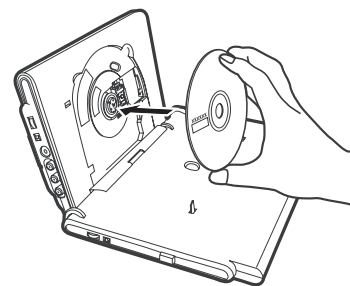
- 4 Press the up or down cursor button to select **Password**. Enter your 4-digit security code and then press the **Enter** button.
- 5 If you forget your password, you can erase your current password by pressing the **8** on the remote control four times, then pressing the **Enter** button to confirm the setting (Password: 8888). Reset your password as instructed in step 4.
- 6 Press the up or down cursor button to select **Factory Set** to return to factory settings. Press the **Enter** button to toggle between **Yes** and **No**. It takes 3 to 5 seconds to reset the unit to the factory default.
- 7 To exit the Setup Menu and return to the normal screen, press **Return**.

Loading a DVD or CD

- 1 Open the disc door by pressing and holding the **Open** button.



- 2 Hold the disc by its sides and place it on the central support with the printed side facing towards you until you hear a click.



- 3 Close the disc door. It takes a short while for your unit to load the disc. After loading, the unit will automatically start playing most DVDs.
- 4 If the DVD does not start automatically, press the **Play** button.

Using the DVD player and monitor with other equipment

To use a game system or external video equipment with the DVD player:

- 1 Turn on the unit and slide the **AV In/DVD** switch to **AV In**.
- 2 Turn on the video equipment and follow the instructions provided with it to playback the disc.

Note:
If you have a mono VCR, the volume level from the speakers will be low.

To watch a DVD on your TV with the DVD player:

- 1 Turn on the unit and slide the **AV In/DVD** switch to **DVD**.
- 2 Turn on the TV and follow the instructions provided with it to playback the DVD.

To use other audio equipment with the DVD player:

- 1 Turn on the unit and slide the **AV In/DVD** switch to **DVD**.
- 2 Turn on your audio equipment and follow the instructions included with it to select the Audio In function.

Note:
• You may experience interference if the radio tuner function is selected while the television is working.

- Make sure to use the correct audio/video cable. Connecting the plugs incorrectly may cause a weak signal.
- If you have a stereo VCR, make sure you set it to stereo mode.
- Due to copyright protection, DVD movies cannot be copied. If you copy a DVD movie onto a videotape, the resulting copy will be unclear, with poor sound quality. This is not caused by a defective DVD system.

To use an external DVD player or VCR with the monitor:

- 1 Turn on the monitor and slide the **AV 1 / AV 2** switch to **AV 1**.
- 2 Turn on the DVD player or VCR and follow the instructions provided with it to play the disc.

Note:
If you have a mono VCR, the volume level from the speakers will be low.

To use a video game system with the monitor:

- 1 Turn on the monitor and slide the **AV 1 / AV 2** switch to **AV 1**.
- 2 Turn on the video game system and follow the instructions provided with it to play game.

Playing discs

After turning on the power and loading a DVD or CD, use the following functions to operate the DVD player.

Pausing playback (Still mode)

To pause play:

- 1 Press the **Pause** button to pause playback.
- 2 To resume normal playback, press **Play**. Each time you press the **Pause** button, the picture advances one frame.

Stopping playback

To stop play:

- 1 Press the **Stop** button at the location where you want to interrupt playback. To resume playback at the position where the disc was stopped, press the **Play** button.
- 2 Press **Stop** twice to clear the main unit's memory. Press **Play** again to reset the disc to the beginning.

Skipping tracks

To skip to a different track:

- 1 Press the **Prev** button repeatedly to skip to the start of the current or previous track.
- 2 Press the **Next** button to skip to the next track.
- 3 For audio CD discs, use the number buttons (on the remote control only) to jump straight to a track number.

Scanning with fast forward/fast reverse

To scan DVDs:

- 1 Press the **Search >>** or **<< Search** buttons when a disc is playing. The disc begins fast scan at x2 speed.

- 2 Four speeds are available: x2, x4, x8, and x20. Press and hold **Search >>** or **<< Search** to change the speed of fast scan.

The speed of fast scan



- 3 Press the **Play** button when you reach the desired point to resume playback at normal speed.

Note:
You also can press and hold the **Prev** or **Next** buttons repeatedly to select different fast scan speeds.

Skipping with forward or reverse

To skip forward or backward:

- 1 While playing a disc, press the **Next** button to move to the beginning of the next chapter or track.
- 2 Press the **Prev** button to move to previous chapter or track. The selected chapter or track will start playing automatically.

Audio selection

On some discs, the sound is recorded in two or more formats.

To select the type of playback:

- 1 While a disc is playing, press the **Audio** button to show current audio format number.



- 2 Press the **Audio** button repeatedly to select the desired audio format.

Note:
If only one audio format is recorded, the number does not change. About two seconds later, playback continues in the new audio format.

Subtitle selection

To select a subtitle:

- 1 While a disc is playing, press the **Subtitle/Return** button to display the current language setting.



- 2 Press the **Subtitle/Return** button repeatedly to select the desired subtitle language.

Note:

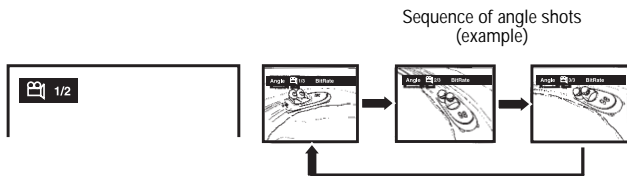
- If only one language is recorded, the language does not change. About two seconds later, playback continues with the new subtitle you selected.
- The number of languages recorded differs depending on the disc.
- If no button is pressed within a few seconds, playback continues without changing the current subtitle.
- This function can only be used for discs on which subtitles have been recorded in multiple languages.
- On some DVDs, subtitles are activated from the main menu of the DVD. Press the **Menu** button to activate the main menu.

Angle selection

Some DVDs contain scenes which have been shot from a number of different angles. For these discs, the same scene can be viewed from each of these different angles.

To select an angle:

- 1 While playing a DVD with different angles recorded, press the **Angle** button to view the number of the current angle available.



- 2 Press the **Angle** button repeatedly to change the scene to the next angle in those recorded. About two seconds later, playback continues from the new angle you selected. If no button is pressed within 10 seconds, playback continues without changing the current angle.

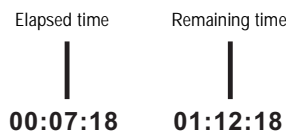
Note:
This function can only be used for discs on which scenes shot from multiple angles have been recorded. If only one angle is recorded, an icon indicating a single angle displays.

Special features

Display function

Using the **Display** function, you can check the current settings for angle, audio, and subtitle.

- While the disc is playing, press the **Display** button to display the following screen:



- **Elapsed time** is the amount of time which has passed from the beginning of the chapter which is currently playing.
- **Remaining time** is the amount of time still remaining for the title which is currently playing.

GOTO function

This function allows you to skip directly to any part of the disc while a disc is playing.

Locating a specific title

If a DVD contains title numbers, you can locate a specific title by directly selecting its number using the remote control.

To locate a specific title:

- 1 Press the **GOTO** button, then press the left or right cursor button to highlight the title field.
- 2 Press the corresponding number button(s) for the title you want, then press the **ENTER** button to confirm. The unit will start playback about 3 seconds later.



Locating a specific chapter or track

If a DVD contains chapter numbers, you can locate a specific chapter or a CD track number by directly selecting its number using the remote control.

To locate a specific chapter or track:

- 1 Press the **GOTO** button, then press the left or right cursor button to highlight the chapter or track field.
- 2 Press the corresponding number button(s) for the selection you want, then press the **ENTER** button to confirm. The unit will start playback about 3 seconds later.



Locating a specific time

You can move to a specific location by entering its corresponding time (hours, minutes, seconds).

To locate a specific time:

- 1 Press the **GOTO** button to select the time.
- 2 Press the left or right cursor button to highlight a time field, then press the corresponding number button(s) for the time you want.
- 3 Press the **Enter** button to confirm your selection. The unit displays the selection and starts playback about 3 seconds later.



Note:
Some discs may not respond to this process.
Some scenes may not be located as precisely as you specified.
This method for accessing specific locations is available only within the current title of the DVD disc.

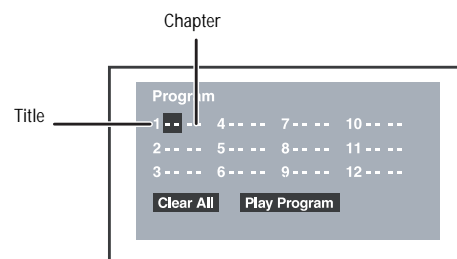
Programming playback in memory

The two types of programmed playback provided by this DVD player are title/chapter programmed playback and track programmed playback.

DVD title/chapter programmed playback

To program DVD playback:

- 1 Press the **Memory** button while the DVD disc is stopped.
- 2 Use the remote control to enter the title number(s) in the first empty field on the **Program** screen.

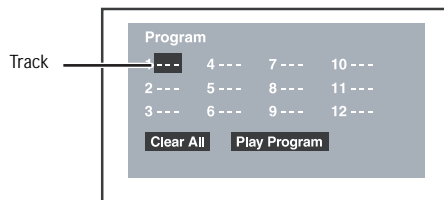


- 3 Press the left or right cursor button to highlight the field for the chapter, then enter the chapter number(s).
- 4 Use a cursor button to move to another field.
- 5 Repeat steps 2 through 4 until all titles and chapters are programmed.
- 6 Press the **Play** button or highlight **Play Program** and press **Enter** to start the programmed playback.
- 7 Use a cursor button to move to **Clear All**, then press **Enter** to erase all settings.

CD track programmed playback

To program CD playback:

- 1 Press the **Memory** button while the CD disc is stopped.
- 2 Use the remote control to enter the track number(s) in the first empty field on the **Program** screen.



- 3 Use a cursor button to move to the next field.
- 4 Repeat steps 2 and 3 until all tracks are programmed.
- 5 Press the **Play** button or highlight **Play Program** and press **Enter** to start the programmed playback.
- 6 Use a cursor button to move to **Clear All**, then press **Enter** to erase all settings.

Repeat playback

You can play a specific title, chapter, or section on a DVD repeatedly. (Title repeat, chapter repeat, and A-B repeat.)

You also can play either a single CD track or an entire audio CD repeatedly.

Repeating a chapter or title

To repeat a DVD chapter or title:

- 1 To repeat a chapter, while the disc is playing, press the **Repeat Disc** button until the **Repeat Chapter** indicator displays on the screen. The current chapter is played repeatedly.
- 2 To repeat a title, while the disc is playing, press the **Repeat Disc** button until the **Repeat Title** indicator displays on the screen. The current title is played repeatedly.
- 3 To resume normal playback, while the disc is playing, press the **Repeat Disc** button until the **Off** indicator displays on the screen. Normal playback resumes.

Repeating a specific section

To repeat a specific DVD or CD section:

- 1 While the disc is playing, press the **REPEAT A-B** button at the beginning of the section that you want to play repeatedly. The **Rep A-** indicator displays on the screen.
- 2 Press the **Repeat A-B** button again at the end of the section. The **REP A-B** indicator displays on the screen and the unit immediately begins replaying your selection.
- 3 To resume normal playback, while the disc is playing, press the **Repeat A-B** button until the **Off** indicator displays on the screen. Normal playback resumes.

Note:

A-B repeat can only be used within the same title. If the start and end of the section to be repeated are in different titles, A-B repeat is cancelled.

The A-B repeat function does not operate in scenes where different camera angles are recorded.

Repeating a track or an entire CD

To repeat a track or an entire CD:

- 1 To repeat a track, press the **Repeat Disc** button while the disc is playing until the **Repeat Single** indicator displays on the screen. The current track plays repeatedly.
- 2 To repeat an entire CD, press the **Repeat Disc** button while the disc is playing until the **Repeat All** indicator displays on the screen. The entire disc is played repeatedly.
- 3 To resume normal playback, press the **Repeat Disc** button while the disc is playing until the **Off** indicator displays on the screen. Normal play resumes.

Playing MP3 and photo file discs

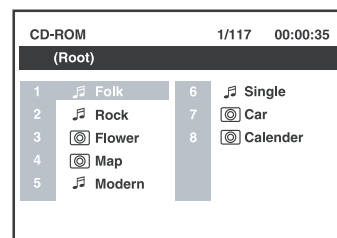
This unit can play MP3 and photo files recorded on CD-R and CD-RW discs.

Playing an MP3 or photo file disc

To play an MP3 or photo file disc:

- 1 Load the MP3 or photo file disc:
 - Open the disc door by pressing and holding the **Open** button.
 - Hold the disc by its sides and place it on the central support with the printed side facing towards you until you hear a click.
 - Close the disc door.

The unit loads the disc and displays the contents of the disc on the screen, beginning with the first track or picture file. The files on the CD are played one at a time.



- 2 Press a cursor button to view or select a file on the CD. Press **Enter** to confirm an audio selection and begin playback.

- Press **Pause** to interrupt playback, and press **Play** to resume playback.

Note:

- You also can press the **GOTO** function or use the numbered buttons to enter a photo number and quickly select any image.
- Press the **Angle** button on the remote control to rotate the picture orientation by 90°.

Playable files

The ability of this unit to read MP3 discs is dependent on the following:

- The bit rate must be from 64 to 256 kbps.
- The total number of files on the disc should not exceed 254.
- The maximum number of directories should not exceed 32.
- The maximum level of directories should not exceed 4.
- File names should use 7 or fewer characters, and must incorporate the "MP3" file extension. For example: *****. MP3 where each * is a letter or number.
- Use only letters and/or numbers in file names. If you use special characters, the file and/or folder names may not be displayed correctly on the on-screen display.
- When recording on CD-R discs, use 74-minute (650 MB) discs.
- The CD-R or -RW discs should be finalized on the computer using single session format with recording speed less than 8x.
- See your CD/MP3 creation software for more information.

Maintaining your DVD player

Cleaning the player

- Wipe with a soft cloth. If the player is very dirty, dampen the cloth with a weak solution of neutral detergent and water, and then wipe clean. Do not use compressed air to remove dust.

Caring for discs

- Do not touch the surface of the unlabeled side of the disc.
- Do not stick paper or tape on the surface of the disc.
- Do not expose the disc to direct sunlight or excessive heat.
- Do not use irregularly shaped discs (for example: heart shaped or octagonal). They may cause malfunctions.

Cleaning discs

A dirty disc causes sound skipping, and if the disc is very dirty, the disc may not work at all. Hold the disc by its inner and outer edges.

- Fingerprints and dust should be carefully wiped from the surface of the DVD or CD with a soft cloth. Wipe in a straight motion from the center to the edge.
- Never use thinner, benzine, record cleaner, or anti-static spray on a DVD or CD, because they can damage its plastic surface.

Note:

Before transporting the unit, remove any disc from the disc compartment.

Troubleshooting

Problem	Solution
No power	<ul style="list-style-type: none"> Check that the AC power cord or the DC power cord is connected. Make sure that the unit is turned on.
The remote does not work	<ul style="list-style-type: none"> Remove any obstacles between the remote and the unit. Use the remote near the unit. Point the remote at the remote sensor on the unit. Replace the battery in the remote with a new one.
DVD has little or no sound	<ul style="list-style-type: none"> Make sure that you have selected DVD mode. The system is in pause mode. Press PLAY to return to normal play mode. DVD is in fast forward or fast reverse mode. Press PLAY to return to normal play mode. Make sure that AUDIO/VIDEO output connections are correct. The DTS DVD disc cannot be decoded for speaker output. This unit is too hot. Turn off the DVD player and allow for it to cool for 30 minutes.
No picture	The region number of the disc doesn't match the region number of this unit.
The picture is not clear	The disc is scratched. Clean the disc.
Severe hum or noise is heard	<ul style="list-style-type: none"> The plugs and jacks are dirty. Wipe them with a cloth slightly moistened with alcohol. Clean the disc.
The disc does not play	<ul style="list-style-type: none"> There is no disc inside (No Disc appears on the screen). Insert the disc correctly. Clean the disc. A non-NTSC disc has been inserted. The unit and disc region number are incompatible. Condensation may have formed inside the unit due to a sudden change in temperature. Wait about an hour for the condensation to clear and try again.

Limited warranty

Insignia Products warrants to you, the original purchaser of this Product, that this product shall be free of defects in material or workmanship for a period of ninety (90) days from the date of purchase as follows:

- 1 LABOR:** During the Warranty Period if this Product is determined to be defective, Insignia will repair or replace the Product, at its option at no charge, or pay the labor charges to any Insignia authorized service facility. After the Warranty Period, you must pay for all labor charges.
- 2 PARTS:** In addition, Insignia will supply, at no charge, new or rebuilt replacement parts in exchange for defective parts for the Warranty Period. After the Warranty Period, you must pay all parts costs.

To obtain warranty service, you must take the Product with your original receipt or other proof of purchase, either in its original packaging or packaging affording an equal degree of protection, to your nearest retail store location of the store or online web site from which you purchased the Product.

This warranty does not cover cosmetic damage or damage due to acts of God, lightning strikes, accident, misuse, abuse, negligence, commercial use, or modification of, or to any part of the Product, including the antenna. This warranty does not cover damage due to improper operation or maintenance, connection to improper voltage supply, or attempted repair by anyone other than a facility authorized by Insignia to service the Product. This warranty does not cover Products sold AS IS or WITH ALL FAULTS, or consumables (such as fuses or batteries). This warranty is valid only in the United States and Canada.

This warranty is invalid if the factory applied serial number has been altered or removed from the Product. REPAIR REPLACEMENT AS PROVIDED UNDER THIS WARRANTY IS THE EXCLUSIVE REMEDY OF THE CONSUMER. INSIGNIA SHALL NOT BE LIABLE FOR ANY INCIDENTAL OR CONSEQUENTIAL DAMAGES FOR BREACH OF ANY EXPRESS OR IMPLIED WARRANTY ON THIS PRODUCT. EXCEPT TO THE EXTENT PROHIBITED BY APPLICABLE LAW, ANY IMPLIED WARRANTY, REPRESENTATION OR CONDITION OF MERCHANTABILITY OR FITNESS FOR A PARTICULAR PURPOSE ON THIS PRODUCT IS LIMITED IN DURATION TO THE DURATION OF THIS WARRANTY.

Some states or provinces do not allow the exclusion or limitation of incidental or consequential damages, or allow limitations on how long an implied warranty lasts, so the above limitations or exclusions may not apply to you. This warranty gives you specific legal rights, and you may have other rights which vary from state to state, or province to province.

For customer service, please call 1-877-467-4289.

www.insignia-products.com

Insignia Products, Richfield, Minnesota, U.S.A.

Copyright

© 2006 Insignia. Insignia and the Insignia logo are trademarks of Best Buy Enterprise Services, Inc. Other brands and product names are trademarks or registered trademarks of their respective holders. Specifications and features are subject to change without notice or obligation.

Lecteur de DVD portatif à deux écrans Insignia NS-MDDVD10

Table des matières

Introduction	19
Informations sur la sécurité	19
Fonctionnalités	22
Configuration du lecteur de DVD	24
Fonctionnement du lecteur de DVD	28
Entretien du lecteur de DVD	35
Problèmes et solutions	36
Garantie limitée	36
Droits d'auteurs	37

Introduction

Félicitations d'avoir acheté ce produit Insignia de haute qualité. Le lecteur de DVD portatif à deux écrans NS-MDDVD10 représente la dernière avancée technologique dans la conception de cette catégorie de produits et a été conçu pour des performances et une fiabilité exceptionnelles. Le lecteur de DVD comprend les composants suivants:

- Télécommande (avec pile)
- Adaptateur CA avec cordon d'alimentation
- Adaptateur d'alimentation pour voiture
- Câble audio/vidéo
- Casque d'écoute
- Courroie de montage
- Malette de transport
- Ce Guide de l'utilisateur

Informations sur la sécurité



Avertissement Afin de réduire le risque d'incendie et de choc électrique, ne pas exposer cet appareil à la pluie ou l'humidité.



Avertissement Afin de réduire le risque de choc électrique, ne pas enlever le couvercle (ou l'arrière). Ne contient aucune pièce réparable par l'utilisateur. Confier l'entretien à du personnel qualifié.



Précautions Toute modification sur cette unité n'ayant pas été expressément approuvée par l'autorité responsable de la conformité à la réglementation peut annuler le droit de l'utilisateur à utiliser cet appareil.

Lire les instructions

Lire toutes les instructions de sécurité et de fonctionnement avant d'utiliser cet appareil.

Conserver les instructions

Conserver les instructions de sécurité et de fonctionnement pour toute référence ultérieure.

Respecter les avertissements

Respecter tous les avertissements sur le lecteur de DVD ainsi que dans les instructions d'utilisation.

Eau et humidité

Ne pas utiliser cet appareil à proximité de l'eau, par exemple: baignoire, bac à linge, évier, cuve à lessive, dans un sous-sol humide ou à proximité d'une piscine.

Montage mural ou suspension au plafond

Ne pas monter cet appareil sur un mur ou au plafond sauf avis contraire du fabricant.

Accessoires

N'utiliser que des accessoires et des outils spécifiés par le fabricant. N'utiliser l'appareil qu'avec la table roulante, le pied, le trépied, le support ou la table spécifiés par Insignia ou vendus avec le produit. Lorsqu'une table roulante est utilisée, déplacer l'ensemble appareil/table roulante avec précaution pour éviter les blessures provoquées par une éventuelle chute de l'appareil.



Ventilation

Les fentes et ouvertures au dos et au bas du boîtier sont prévues pour la ventilation, afin d'assurer un fonctionnement fiable de l'appareil et de le protéger contre toute surchauffe. Ces ouvertures ne doivent être ni bloquées ni obstruées. Ne pas placer l'appareil sur un lit, un sofa, un tapis ou toute autre surface similaire. Ne pas placer l'appareil à proximité ou au-dessus d'un radiateur ou d'une source de chaleur. Ne pas installer l'appareil dans un meuble encastré tel qu'une bibliothèque ou sur une étagère, sauf si une ventilation adéquate a été prévue ou si les instructions du fabricant ont été respectées.

Source d'alimentation

Ne brancher cet appareil que sur la source d'alimentation indiquée sur la plaque signalétique de l'appareil (située au dos du lecteur de DVD).

En cas d'incertitude sur la tension d'alimentation électrique de la maison, consulter le revendeur de l'appareil ou la compagnie d'électricité.

Mise à la terre ou polarisation

Cet appareil est équipé d'une prise de courant CA polarisée (à deux plots, un plus large que l'autre). Cette fiche ne s'insère dans une prise murale que d'une seule façon. Il s'agit d'une caractéristique de sécurité. S'il est impossible d'introduire à fond la fiche dans la prise secteur, essayer de retourner la prise. Si la fiche ne s'adapte toujours pas à la prise murale, contacter un électricien afin qu'il remplace la prise inadéquate.

Au lieu d'une prise de courant alternatif polarisée, cet appareil peut être équipé d'une fiche à trois câbles dont un pour la terre (il s'agit d'une fiche avec une troisième broche de mise à la terre). Cette prise ne pourra fonctionner qu'avec une prise murale équipée d'une connexion à la masse. Il s'agit également d'un dispositif de sécurité. S'il s'avère impossible d'introduire la fiche dans la prise murale, contacter un électricien afin qu'il remplace la prise inadéquate. Ne pas chercher à modifier le dispositif de sécurité de la prise polarisée ou de type mise à la terre.

Protection du cordon d'alimentation

Les cordons d'alimentation électrique doivent être acheminés afin que personne ne puisse marcher dessus et qu'aucun objet posé dessus ne vienne les entraver. Prêter particulièrement attention aux points de branchement du cordon à la prise murale et à l'endroit d'où le cordon sort de l'appareil.

Casque d'écoute

Conserver le volume à un niveau modéré lors de l'utilisation du casque d'écoute. L'utilisation continue du casque d'écoute à un niveau sonore élevé peut endommager l'ouïe.

Foudre

Pour protéger l'appareil pendant un orage ou s'il se trouve inutilisé et sans surveillance pendant de longues périodes, le débrancher de la prise murale et débrancher l'antenne ou la connexion au réseau câblé. Ceci évitera d'endommager l'appareil en cas de foudre et de variations de tension du secteur.

Surcharge

Ne pas surcharger les prises murales ou les rallonges. Cela pourrait présenter un risque d'incendie ou de choc électrique:

Pénétration d'objets ou de liquides

Ne jamais enfoncer un objet quelconque dans les ouvertures du boîtier de l'appareil, il pourrait entrer en contact avec des tensions dangereuses ou provoquer un court-circuit à l'origine d'un incendie ou d'un choc électrique. Ne jamais renverser ou pulvériser un liquide quelconque sur l'appareil.

Dégâts nécessitant un entretien

Ne pas essayer de démonter cette unité. L'ouverture ou le démontage des couvercles peut exposer l'utilisateur à des tensions dangereuses et à d'autres dangers. Débrancher cet appareil de la prise murale et utiliser les services d'un technicien qualifié dans les conditions suivantes:

- Lorsque le cordon d'alimentation ou la prise sont endommagés.
- Si un liquide a été répandu ou des objets sont tombés dans l'appareil.
- Si l'appareil a été exposé à la pluie ou à l'eau.

- Si l'appareil fonctionne anormalement en appliquant les instructions d'utilisation. Ne régler que les commandes décrites dans les instructions d'utilisation ; en effet, le réglage incorrect d'autres commandes pourrait provoquer des anomalies, entraînant souvent d'importantes réparations par un technicien qualifié pour rétablir le fonctionnement normal de l'appareil.
- Si l'appareil est tombé ou si le boîtier a été endommagé.
- Lorsque l'appareil présente une détérioration marquée de ses performances, cela peut être un signe de nécessité de réparation.

Pièces de rechange

Si des pièces doivent être remplacées, s'assurer que le technicien a utilisé des pièces spécifiées par le fabricant ayant les mêmes caractéristiques que celles des pièces d'origine. Toute substitution par des pièces non autorisées peut provoquer un incendie, un choc électrique ou d'autres dangers.

Contrôle de sécurité

Les réparations ou la maintenance ayant été effectuées, demander au technicien de réaliser les contrôles de sécurité de routine afin de déterminer que l'appareil est en bon état de fonctionnement.

Chaleur

Installer l'appareil à l'écart de sources de chaleur, telles que radiateurs, bouches de chaleur, fours ou autres appareils (y compris les amplificateurs) qui produisent de la chaleur.

Logement pour disque

Tenir les doigts à l'écart du logement du disque lorsqu'il se ferme afin d'éviter de se blesser.

Rayonnement laser

Ne pas regarder dans l'ouverture du tiroir du disque ou dans la fente d'aération de l'appareil pour regarder la source du rayonnement laser. Ceci pourrait entraîner des lésions oculaires.

Disque

Ne pas utiliser de disques fissurés, déformés ou réparés. Ces disques se cassent facilement et peuvent entraîner des blessures graves et endommager l'appareil.

Classification d'équipement

Cet appareil est un produit de classe II, ce qui signifie que la stéréo est dotée d'un double système d'isolation.

Conformité FCC

Cet équipement a été mis à l'essai et déclaré conforme aux limites prévues pour un appareil numérique de classe B, définies dans la section 15 de la réglementation FCC. Ces limites ont été établies pour fournir une protection raisonnable contre les interférences nuisibles lors d'une installation résidentielle. Cet équipement génère, utilise et diffuse des ondes radio et, s'il n'est pas installé et utilisé conformément aux instructions dont il fait l'objet, il peut provoquer des interférences indésirables avec les

communications radio. Cependant, il n'est pas possible de garantir qu'aucune interférence ne se produira dans une installation particulière. Si cet équipement cause des interférences gênant la réception d'ondes radio ou télévisées (déterminé en éteignant et en rallumant l'équipement), il est recommandé que l'utilisateur tente de corriger le problème en appliquant au moins l'une des mesures suivantes:

- Réorienter ou déplacer l'antenne réceptrice.
- Augmenter la distance entre l'équipement et le récepteur.
- Brancher l'équipement dans la prise électrique d'un circuit différent de celui auquel le récepteur est relié.
- Contacter le revendeur ou un technicien radio/télévision qualifié.

Des câbles blindés doivent être utilisés avec cet appareil, afin d'être en conformité avec les limitations de la catégorie B du règlement de la FCC.

Certification relative à la sécurité

Ce lecteur de DVD a été fabriqué et testé pour satisfaire aux normes de sécurité de la FCC, aux exigences et règles de conformité du Ministère de la santé des États-Unis (U.S. Département of Health and Human Services), ainsi qu'aux normes d'irradiation 21 CFR, section de chapitre J de la FDA.



Radiation au laser invisible en cas d'ouverture et lorsque le système de sécurité est défectueux ou neutralisé. Éviter toute exposition directe aux rayons laser.

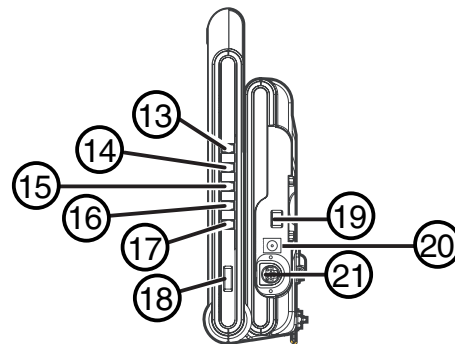
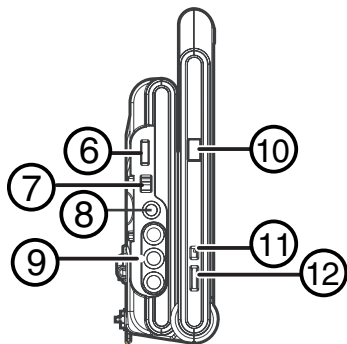
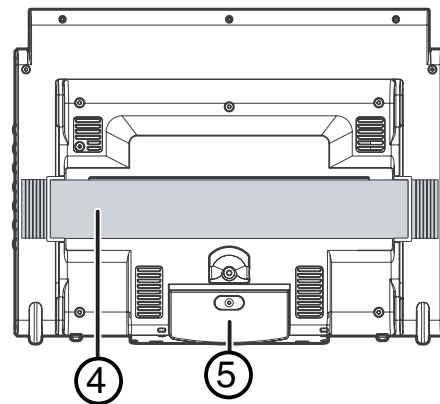
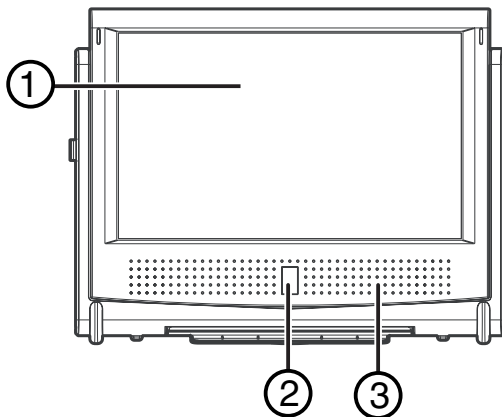
Sécurité du laser

Le mécanisme CD de cet appareil utilise une technologie de faisceau laser optique, conçue pour intégrer des dispositifs de sécurité. Ne pas essayer de démonter cet appareil. Confier l'entretien à du personnel qualifié. Une exposition à la lumière du faisceau laser invisible peut être dangereuse pour la vue.

Appareil au laser de classe 1. L'utilisation de commandes, de réglages ou l'exécution de procédures autres que celles indiquées ici peuvent aboutir à une irradiation dangereuse.

Fonctionnalités

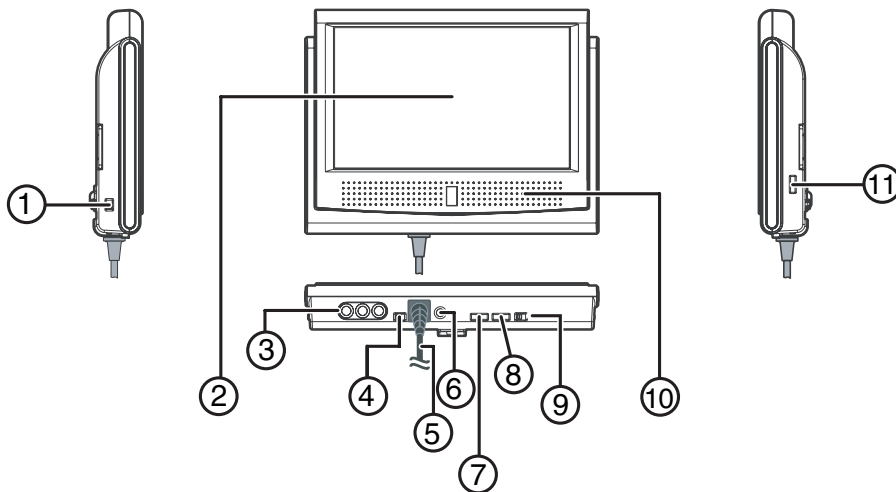
Commandes à l'avant, à l'arrière, à gauche et à droite



Numéro	Éléments de l'appareil	Fonction
1	Écran	Permet de visionner le DVD.
2	Témoin de mise sous tension	Quand la touche Power On/Off (Marche/Arrêt) est sur On , le témoin s'allume.
	Capteur de télécommande	Reçoit les signaux de la télécommande.
3	Haut-parleur	Sortie sonore du lecteur de DVD.
4	Courroie de support	Pour fixer l'appareil au siège du véhicule.
5	Support	Pied de support du lecteur de DVD
6	Commande de volume	Pour régler le volume.
7	Sélecteur d'entrée AV/DVD	Permet de sélectionner entre le lecteur de DVD ou une source vidéo externe.
8	Prise de casque d'écoute	Pour brancher le casque d'écoute.
9	Prises d'entrée/sortie vidéo et audio	Pour le branchement de sources vidéo et audio externes.
10	Touche d'ouverture	Pour ouvrir le plateau à disque.
11	Sélecteur de mode d'écran	Permet de sélectionner un affichage panoramique ou normal.
12	Commande de luminosité	Pour régler le niveau de luminosité de l'écran.

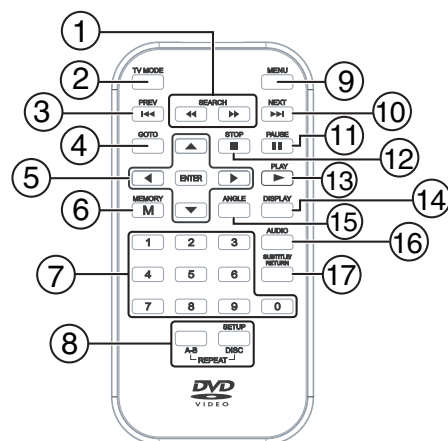
Numéro	Éléments de l'appareil	Fonction
13	Touche <<< (Précédent)	Permet de revenir aux pistes ou chapitres précédents. La maintenir appuyée pour un retour rapide. Quatre vitesses de défilement sont disponibles.
14	Touche >>> (Suivant)	Permet d'aller aux pistes ou chapitres suivants. La maintenir appuyée pour une avance rapide. Quatre vitesses de défilement sont disponibles.
15	Touche Arrêt	Pour arrêter la lecture d'un disque.
16	Touche Pause	Permet d'arrêter momentanément la lecture d'un disque. Chaque fois que cette touche est appuyée la vidéo avance d'une image. Appuyer sur Lecture pour reprendre la lecture normale.
17	Touche Lecture	Pour démarrer ou reprendre la lecture d'un disque.
18	Réglage de la couleur	Permet de régler l'intensité de la couleur.
19	Interrupteur MARCHÉ/ARRÊT	Pour la mise sous ou hors tension de l'appareil.
20	Prise d'entrée CC 9 V/ prise 12 V du véhicule	Pour brancher le cordon d'alimentation CC.
21	Connexion pour les ports du moniteur	Permet de connecter un moniteur au lecteur de DVD.

Moniteur



Numéro	Commande du moniteur	Fonction
1	Interrupteur MARCHE/ARRÊT du moniteur	Pour la mise sous ou hors tension du moniteur.
2	Écran	Permet de visionner le DVD.
3	Prises d'entrée vidéo et audio	Pour le branchement de sources vidéo et audio externes.
4	Sélecteur AV 1/AV 2	Permet de sélectionner les modes externes.
5	Câble DIN intégré (entrée)	Pour connecter au port du lecteur de DVD.
6	Prise de casque d'écoute	Pour brancher le casque d'écoute.
7	Commande de luminosité	Pour régler le niveau de luminosité la couleur à l'écran.
8	Réglage de la couleur	Permet de régler l'intensité de la couleur.
9	Sélecteur de mode d'écran	Permet de sélectionner un affichage normal ou panoramique.
10	Haut-parleur	Sortie sonore du lecteur de DVD.
11	Commande de volume	Pour régler le volume

Télécommande



Numéro	Télécommande	Fonction
1	Touches de recherche avant/arrière	Appuyer sur << pour un retour rapide. Appuyer sur >> pour une avance rapide.
2	Touche du mode TV	En mode arrêt, sélectionner une des trois options suivantes: <ul style="list-style-type: none"> Letter Box (Boîte aux lettres) Pan Scan (Balayage panoramique) Wide Screen (Panoramique)
3	Touche Précédent	Permet de revenir aux titres/chapitres/pistes précédents.
4	Touche Aller à	Pour aller directement à un point particulier du DVD.
5	Touches de déplacement	Permettent de sélectionner les options du menu d'écran et régler certains paramètres.
	Touche Entrée	Pour confirmer la sélection dans un menu d'écran.
6	Touche Mémoire	En mode arrêt, permet d'entrer le numéro d'un chapitre ou d'une piste sélectionnée.

Numéro	Télécommande	Fonction
7	Touches numériques 0 à 9	Utilisées lors de la création de programmes et pour saisir un mot de passe de niveau de contrôle parental. Permettent également de sélectionner directement la piste d'un CD.
8	Touche Configuration	En mode arrêt, permet d'accéder au menu SETUP (Configuration) ou d'en sortir.
	Touches de lecture en boucle d'un disque de A à B	<ul style="list-style-type: none"> Pour la lecture en boucle d'un point à un autre sur un DVD ou un CD. Pour répéter un chapitre ou un titre du DVD. Pour répéter une piste ou tout un CD.
9	Touche Menu	Pour accéder au menu du DVD ou en sortir.
10	Touche Suivant	Permet de se déplacer parmi les titres, les chapitres ou les pistes.
11	Touche Pause	Pour arrêter momentanément la lecture ou avancer image par image.
12	Touche Arrêt	Arrête la lecture d'un disque.
13	Touche Lecture	Pour démarrer ou reprendre la lecture d'un disque.
14	Touche d'affichage	Modifie l'information sur le disque affichée à l'écran.
15	Touche Angle	Permet de sélectionner des angles de prises de vues multiples si le DVD en cours de lecture en contient.
16	Touche Audio	Pour sélectionner une des pistes audio programmées sur un DVD ou le mode de sortie audio d'un CD audio.
17	Touche Sous-titres/Revenir	Pour sélectionner une des langues de sous-titres programmées sur le DVD ou revenir au fonctionnement normal après avoir accédé au menu SETUP (Configuration) d'un DVD.

Configuration du lecteur de DVD

Mise en service de la télécommande

Installation de la pile de la télécommande



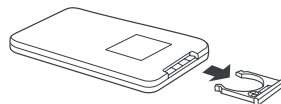
Ne pas jeter la pile dans le feu. Se débarrasser des piles usagées en suivant les normes relatives aux déchets dangereux.



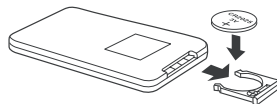
Ne pas laisser tomber ni démonter la télécommande. Ne pas mouiller la télécommande.

Pour installer la pile dans la télécommande:

1 Retirer le porte-pile.

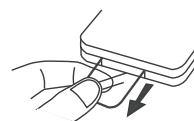


2 Insérer une pile CR2025 (3 V) dans le porte-pile. Vérifier que les symboles +/- de la pile coïncident avec les repères +/- à l'intérieur du porte-pile.



3 Remettre le porte-pile dans la télécommande.

4 Retirer la feuille de PVC avant d'utiliser la télécommande.



5 Pointer la télécommande vers le capteur du lecteur de DVD. La portée efficace de la télécommande est d'environ 16 pi (5 mètres).

Remarque:
Retirer la pile si la télécommande ne va pas être utilisée pendant une période prolongée ou si la pile est morte, pour éviter toute fuite.

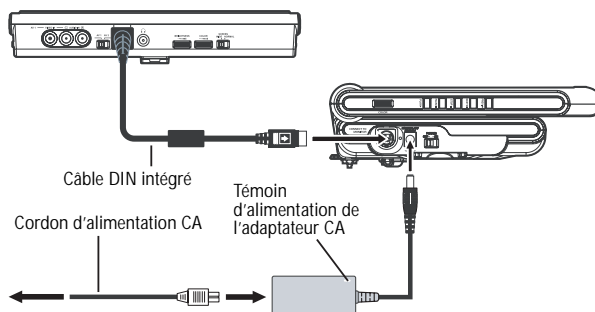
Remarque:
S'il est nécessaire de se rapprocher de l'appareil pour le bon fonctionnement de la télécommande, remplacer la pile. La télécommande ne fonctionnera pas correctement si la lumière solaire directe ou d'une lampe fluorescente à haute fréquence interfère avec le capteur de la télécommande. Dans ce cas, modifier l'installation de l'appareil pour éviter le problème.

Connexion à l'alimentation CA

L'adaptateur CA est conçu pour des tensions allant de 100 à 240 V.

Remarque:
Avant d'utiliser l'appareil dans un nouvel emplacement pour la première fois, vérifier que la tension de fonctionnement du lecteur est identique à la tension d'alimentation locale. Cet appareil doit fonctionner seulement à la tension de la source d'alimentation indiquée sur le panneau arrière. Débrancher l'appareil de la prise secteur s'il n'est pas utilisé pendant une longue période.

Pour connecter l'adaptateur d'alimentation CA:



1 Connecter le câble DIN intégré du dessous du moniteur au port de l'unité principale du lecteur de DVD.

- 2 Connecter la prise de l'adaptateur CA au connecteur **d'entrée CC 9V/prise 12 V du véhicule** du lecteur de DVD.
- 3 Connecter le cordon d'alimentation CA à l'adaptateur CA.
- 4 Brancher le cordon d'alimentation CA sur une prise secteur CA. Quand le cordon d'alimentation est connecté à la prise secteur CA, le témoin d'alimentation est allumé même si le lecteur de DVD est éteint.

Connexion de l'alimentation CC

L'adaptateur d'alimentation de voiture est conçu pour des véhicules dotés d'un circuit électrique de 12 V à mise à la masse négative.

Avertissement

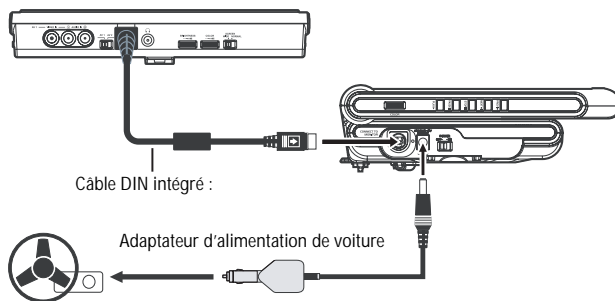


Déconnecter l'adaptateur d'alimentation de voiture quand il n'est pas utilisé.
Ne pas utiliser cet appareil dans des véhicules à circuit électrique de 24 V.

Précautions

- N'utiliser cet appareil qu'avec l'adaptateur d'alimentation de voiture fourni. L'utilisation d'un autre adaptateur de voiture pourrait endommager l'appareil ou le véhicule.
- L'adaptateur d'alimentation de voiture de 12 V fourni est uniquement destiné à être utilisé avec cet appareil. Ne pas l'utiliser avec d'autres équipements.
- Pour la sécurité de la circulation automobile, les conducteurs ne doivent pas utiliser cet appareil ou regarder des vidéos en conduisant.
- Quand l'intérieur de la douille de l'allume-cigare est sale avec des cendres ou de la poussière, la partie alimentation peut chauffer en raison d'un contact défectueux. S'assurer de nettoyer la douille de l'allume-cigare avant son utilisation.
- Après son utilisation, déconnecter l'adaptateur d'alimentation de voiture de l'appareil et de la douille de l'allume-cigare.
- Si l'appareil n'est pas correctement fixé au véhicule, il peut être projeté en cas d'accident et provoquer des dommages, des blessures voire la mort.
- Vérifier le code de la route local pour les règles relatives à l'utilisation d'appareils vidéo dans un véhicule avant son utilisation.

Pour brancher le cordon d'alimentation CC:



- 1 Connecter le câble DIN intégré du dessous du moniteur au port de **l'unité principale** du lecteur de DVD.
- 2 Connecter la prise de l'adaptateur d'alimentation de voiture au connecteur **d'entrée CC 9 V/prise 12 V du véhicule** du lecteur de DVD.
- 3 Brancher le connecteur de l'adaptateur d'alimentation de voiture sur la douille de l'allume-cigare.

Installation du lecteur de DVD/moniteur dans le véhicule

Utiliser la courroie de montage fournie pour installer le lecteur de DVD et le moniteur sur le dossier du siège dans le véhicule.

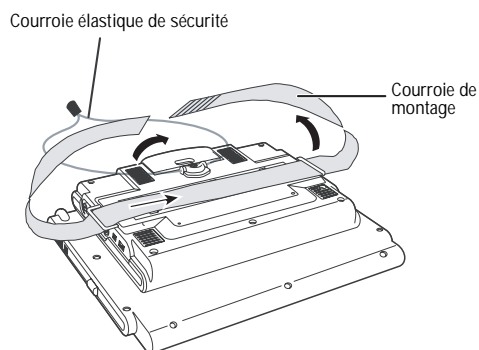
Avertissement



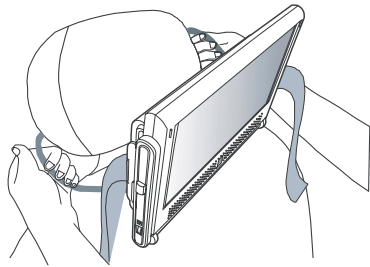
- Cet appareil ne doit jamais être utilisé par le conducteur du véhicule ou être laissé non fixé dans le véhicule pendant la conduite.
- Si cet appareil doit être utilisé dans un véhicule, s'assurer qu'il est correctement fixé ou tenu fermement et qu'il n'obstrue aucun élément de sécurité, y compris les sacs gonflables ou les ceintures de sécurité.
- Tous les passagers doivent attacher leur ceinture de sécurité quand cet appareil est utilisé dans un véhicule en mouvement.
- En cas de doute, contacter le fabricant du véhicule pour tout conseil supplémentaire.

Pour installer l'appareil/le moniteur:

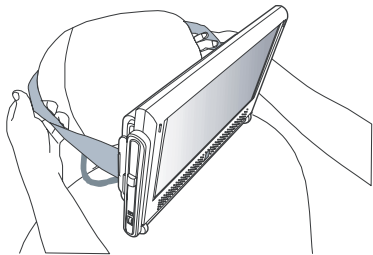
- 1 Desserrer la courroie élastique de sécurité et la courroie de montage au dos de l'appareil/du moniteur.



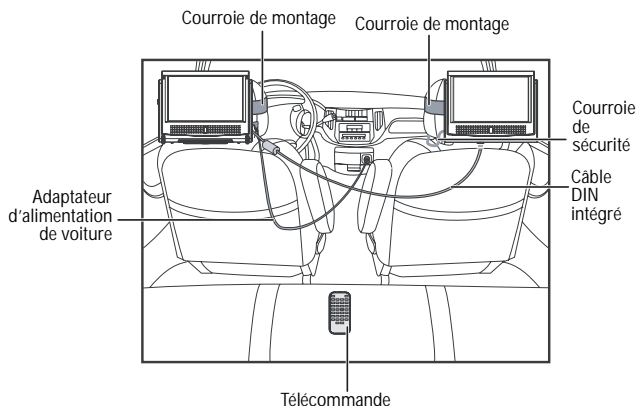
- Entourer la courroie élastique de sécurité autour du repose-tête.



- Placer la courroie de montage autour du repose-tête.

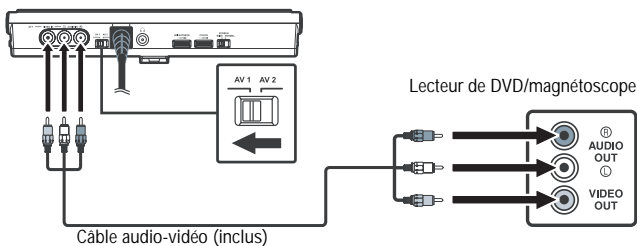


- Effectuer les connexions tel qu'illustré. Ajuster l'écran et la courroie autant que nécessaire pour obtenir l'angle de vision optimal.



Connexion du moniteur au lecteur de DVD ou magnétoscope

Pour connecter le moniteur au lecteur de DVD ou à un magnétoscope:



- Positionner le sélecteur AV 1/AV 2 sur le côté gauche du lecteur de DVD sur AV 1.
- Connecter les prises d'une extrémité du câble audio-vidéo (inclus) aux prises d'entrée Vidéo et Audio du moniteur:
 - Brancher le connecteur jaune sur la prise extérieure.

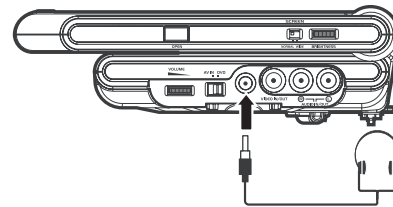
- Brancher le connecteur blanc sur la prise centrale.
 - Brancher le connecteur rouge sur la prise la plus proche du câble DIN intégré.
- Connecter les prises de l'autre extrémité du câble audio-vidéo aux prises du lecteur de DVD ou du magnétoscope:
 - Brancher le connecteur rouge sur la prise de sortie audio droite.
 - Brancher le connecteur blanc sur la prise de sortie audio gauche.
 - Brancher le connecteur jaune sur la prise de sortie vidéo.

Connexion du casque d'écoute

Il est possible de connecter un casque d'écoute soit au moniteur, soit à l'unité principale du lecteur de DVD.

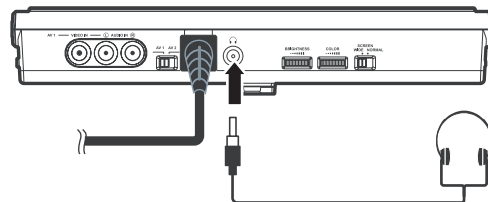
Pour connecter le casque d'écoute:

- Diminuer le volume de l'appareil.
- Connecter le casque d'écoute à la prise de **casque d'écoute** sur le côté droit de l'appareil.



ou

Diminuer le volume sur le moniteur, puis connecter le casque d'écoute à la prise de **casque d'écoute** sur le dessous du moniteur.



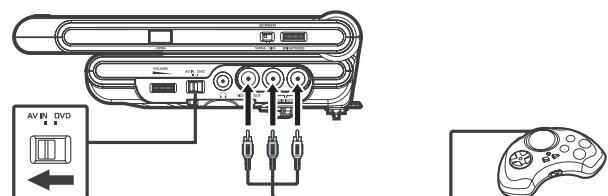
Remarque:

Quand le casque d'écoute est branché, les haut-parleurs de l'unité principale sont automatiquement désactivés.

Connexion d'un système de jeux vidéo

Il est possible de connecter une console de jeux vidéo à l'unité principale du lecteur de DVD ou au moniteur.

Pour connecter une console de jeux vidéo au lecteur de DVD:

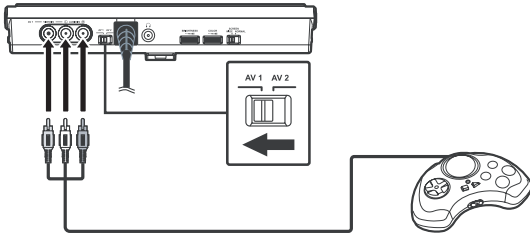


- Positionner le sélecteur AV In/DVD sur AV In.

- Brancher les connecteurs du câble de la console de jeux vidéo sur les prises **Vidéo et Audio In/Out** sur le côté gauche du lecteur de DVD:

- Brancher le connecteur jaune sur la prise la plus proche de la prise du **casque d'écoute**.
- Brancher le connecteur rouge sur la prise centrale.
- Brancher le connecteur blanc sur la prise extérieure.

Pour connecter une console de jeux vidéo au moniteur:

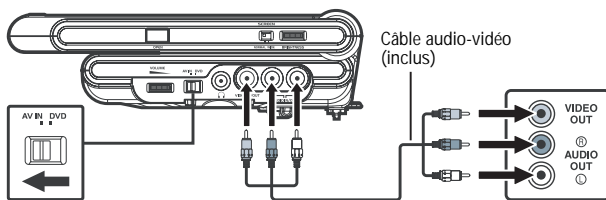


- Positionner le sélecteur **AV 1/AV 2** sur **AV 1**.
- Connecter les prises de la console de jeux vidéo aux prises **d'entrée Vidéo et Audio** du moniteur:
 - Brancher le connecteur jaune sur la prise extérieure.
 - Brancher le connecteur blanc sur la prise centrale.
 - Brancher le connecteur rouge sur la prise la plus proche du câble DIN intégré.

Connexion d'un autre équipement vidéo

Il est possible de connecter un autre équipement vidéo à l'unité principale du lecteur de DVD.

Pour connecter un autre équipement vidéo au lecteur de DVD:



- Positionner le sélecteur **AV In/DVD** sur le côté gauche du lecteur de DVD sur **AV In**.
- Connecter les prises d'une extrémité du câble audio-vidéo (inclus) aux prises **d'entrée/sortie Vidéo et Audio** sur le côté gauche du lecteur de DVD:
 - Brancher le connecteur jaune sur la prise la plus proche de la prise du **casque d'écoute**.
 - Brancher le connecteur rouge sur la prise centrale.
 - Brancher le connecteur blanc sur la prise extérieure.
- Connecter les prises de l'autre extrémité du câble audio-vidéo aux prises de l'équipement vidéo:
 - Brancher le connecteur jaune sur la prise de sortie vidéo.

- Brancher le connecteur rouge sur la prise de sortie audio droite.
- Brancher le connecteur blanc sur la prise de sortie audio gauche.

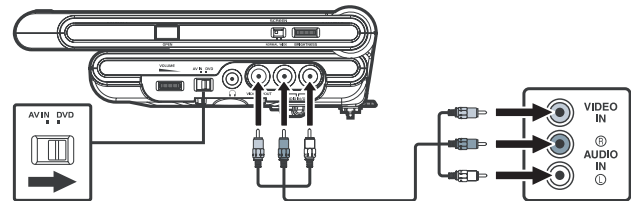
Remarque:

Avec un magnétoscope mono, le niveau sonore émis par les haut-parleurs sera faible.

Connexion d'un téléviseur au lecteur de DVD

Si le téléviseur a des entrées audio/vidéo, il est possible de connecter le téléviseur à l'unité principale du lecteur de DVD à l'aide du câble audio-vidéo.

Pour connecter un téléviseur au lecteur de DVD:



- Positionner le sélecteur **AV In/DVD** sur **DVD**.
- Connecter les prises d'une extrémité du câble audio-vidéo (inclus) aux prises **d'entrée/sortie Vidéo et Audio** sur le côté gauche du lecteur de DVD:
 - Brancher le connecteur jaune sur la prise la plus proche de la prise du **casque d'écoute**.
 - Brancher le connecteur rouge sur la prise centrale.
 - Brancher le connecteur blanc sur la prise extérieure.
- Connecter les prises de l'autre extrémité du câble audio-vidéo aux prises du téléviseur:
 - Brancher le connecteur jaune sur la prise d'entrée vidéo.
 - Brancher le connecteur rouge sur la prise d'entrée audio droite.
 - Brancher le connecteur blanc sur la prise d'entrée audio gauche.
- Pour regarder un DVD sur le téléviseur:
 - Mettre le lecteur de DVD en marche et positionner le sélecteur **AV In/DVD** sur **DVD**.
 - Mettre le téléviseur en marche et suivre les instructions fournies par le fabricant du téléviseur pour visionner un DVD.

Remarque:

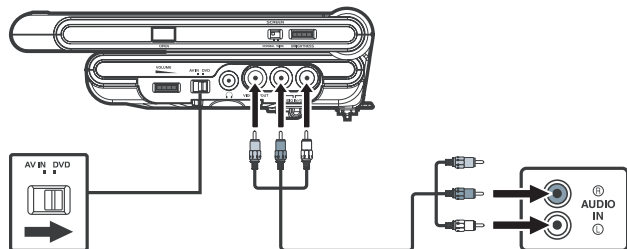
Si le téléviseur n'est pas doté d'entrées audio/vidéo, il est alors nécessaire de se procurer un modulateur RF (vendu séparément) et de suivre les instructions livrées avec ce dernier pour connecter l'unité au téléviseur.

Connexion d'un récepteur stéréo ou d'un amplificateur avec le lecteur de DVD

Il est possible de connecter un récepteur stéréo ou un amplificateur à l'unité principale du lecteur de DVD à l'aide du câble audio-vidéo.

Cet appareil est compatible Dolby Digital, mais uniquement sur deux canaux.

Pour connecter un récepteur stéréo ou un amplificateur au lecteur de DVD:



- 1 Positionner le sélecteur **AV In/DVD** sur **DVD**.
- 2 Connecter les prises d'une extrémité du câble audio-vidéo (inclus) aux prises **d'entrée/sortie Vidéo et Audio** sur le côté gauche du lecteur de DVD:
 - Brancher le connecteur jaune sur la prise la plus proche de la prise du **casque d'écoute**.
 - Brancher le connecteur rouge sur la prise centrale.
 - Brancher le connecteur blanc sur la prise extérieure.
- 3 Connecter les prises de l'autre extrémité du câble audio-vidéo aux prises du récepteur stéréo ou de l'amplificateur:
 - Brancher le connecteur rouge sur la prise d'entrée audio droite.
 - Brancher le connecteur blanc sur la prise d'entrée audio gauche.
 - Le connecteur jaune n'a pas besoin d'être branché.

- 2 Connecter les prises d'une extrémité du câble audio-vidéo (inclus) aux prises **d'entrée Vidéo et Audio** du moniteur:
 - Brancher le connecteur jaune sur la prise extérieure.
 - Brancher le connecteur blanc sur la prise centrale.
 - Brancher le connecteur rouge sur la prise la plus proche du câble DIN intégré.

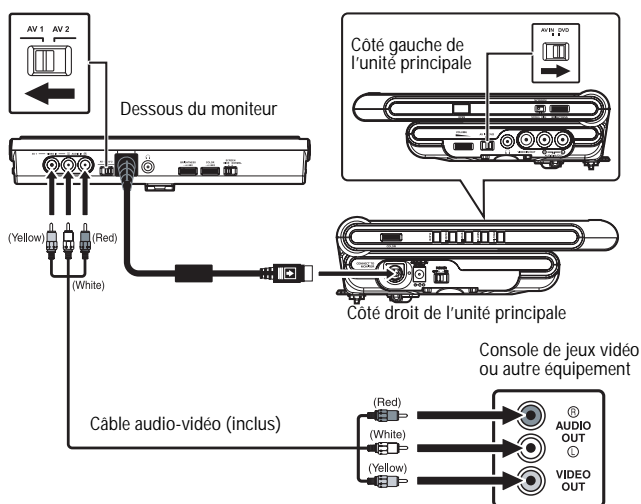
- 3 Connecter les prises de l'autre extrémité du câble audio-vidéo aux prises de la console de jeux ou de l'autre équipement vidéo:
 - Brancher le connecteur rouge sur la prise de sortie audio droite.
 - Brancher le connecteur blanc sur la prise de sortie audio gauche.
 - Brancher le connecteur jaune sur la prise de sortie vidéo.
- 4 Positionner le sélecteur **AV In/DVD** sur le côté gauche de l'unité principale et le sélecteur **AV 1/AV 2** sur le dessous du moniteur tel qu'illustré dans le tableau suivant:

Unité principale		Moniteur	
Sélecteur AV In/DVD	Affichage	Sélecteur AV 1/AV 2	Affichage
Mode AV In (Entrée AV)	AV In	Mode AV 1	AV
Mode DVD	DVD	Mode AV 1	AV
Mode AV In (Entrée AV)	AV In	Mode AV 2	AV In
Mode DVD	DVD	Mode AV 2	DVD

Connexion du lecteur de DVD à un autre équipement

Il est possible de regarder un DVD sur l'unité principale et d'utiliser en même temps une console de jeux vidéo ou un autre équipement vidéo avec le moniteur.

Pour connecter le moniteur et le lecteur de DVD à un autre équipement:



- 1 Connecter le câble DIN intégré du dessous du moniteur au port de **l'unité principale** sur le côté droit de celle-ci.

Fonctionnement du lecteur de DVD

CD et DVD

Ce lecteur de DVD peut reproduire les CD ou DVD de 3 po (8 cm) et 5 po (12 cm) suivants:



Remarque

Toujours ranger les disques dans leur boîtier. Ne pas exposer les disques à la lumière directe du soleil, de hautes températures, une humidité élevée ou la poussière. Quand le disque est retiré de son boîtier

- Ne pas toucher la surface enregistrée du côté opposé à l'étiquette du disque
- Ne pas coller de papier sur l'étiquette
- Ne pas plier le disque.

Lors de la lecture d'un CD-G (Graphique) ou d'un CD EXTRA, la partie audio sera reproduite, mais les images graphiques ne seront pas affichées.

Remarque sur les droits d'auteur

- La loi interdit la copie, la diffusion, la présentation, la diffusion par réseau câblé, l'exécution en public, la location de matériel faisant l'objet de droits d'auteurs sans autorisation préalable.
- Numéros des brevets américains relatifs à cet appareil 4,631,603 ; 4,577,216 ; 4,819,098 et 4,907,093 déposés uniquement pour une utilisation à des fins limitées.
- Les disques vidéo numériques sont protégés contre la copie et tout enregistrement fait à partir de ces disques sera défectueux. Ce produit incorpore une technologie de protection de droits d'auteurs protégée par des revendications de procédé de certains brevets américains et d'autres droits de propriété intellectuelle de Macrovision Corporation et d'autres propriétaires de droits.
- L'utilisation de cette technologie de protection des droits d'auteur doit être autorisée par la société Macrovision et doit se limiter à des fins de divertissement privé à moins d'une autorisation préalable et explicite de Macrovision Corporation. La rétro-ingénierie ou le démontage sont interdits.

Informations sur la classification régionale

Cet appareil est conçu et fabriqué pour se conformer à la classification régionale codifiée des disques DVD. Si le code de région inscrit sur le disque de DVD ne correspond pas au numéro de région de cet appareil, ce dernier ne pourra pas lire le disque. Le code de région de cet appareil est 1.

Les DVD acquis en dehors de la zone géographique de l'utilisateur ou gravés pour une utilisation commerciale peuvent ne pas être reproduits par cet appareil.

Fonction ou fonctionnalité du disque

Le symbole qui s'affiche à l'écran indique que la fonction ou la fonctionnalité recherchée n'est pas disponible actuellement:



Cela se produit quand le fabricant du DVD détermine des fonctions spécifiques.

Certaines fonctions peuvent ne pas être disponibles sur certains disques. Bien lire la documentation fournie avec le DVD.

 Icônes utilisées sur le DVD

Parfois des icônes sont imprimées sur le DVD pour indiquer une fonction particulière. Quelques exemples d'icônes sont repris ci-après:

	Sélection de la langue audio 1 pour l'anglais 2 pour le français
	Sélection de la langue des sous-titres 1 pour l'anglais 2 pour le français
	Format d'écran

	Angles de prise de vues multiples
	Code de région

Titres, chapitres et pistes

Un DVD est divisé en **titres et chapitres**.

Si le disque contient plus d'un film, chaque film est un titre séparé. Les chapitres sont des sections de titres.

Les CD audio sont divisés en **pistes**. Une piste sur un CD audio correspond en général à une chanson.

Chaque titre, chapitre ou piste sur un disque est identifié par un numéro. La plupart des disques intègrent ces numéros, toutefois certains ne les intègrent pas.

Système audio

Dolby Digital est une technologie audio qui a été développée par Dolby Laboratories, Inc. qui reproduit une ambiance salle de cinéma pour la sortie audio quand l'appareil est connecté à un équipement ou un amplificateur Dolby Digital à 5.1 canaux. Cet appareil reconnaît automatiquement les DVD qui intègrent la technologie Dolby Digital. Les sources Dolby Digital ne sont pas toutes enregistrées avec 6 canaux. Certaines sources identifiées comme Dolby Digital peuvent être enregistrées en Dolby Surround, un système à 2 canaux. Rechercher ce logo sur l'appareil:



Le système audio est fabriqué sous licence de Dolby Laboratories. Dolby et le symbole à double D sont des marques de commerce de Dolby Laboratories.

Mise sous/hors tension du lecteur de DVD**Pour mettre le lecteur de DVD sous tension:**

- 1 Mettre les touches **Power ON/OFF** (Marche/Arrêt) de l'unité principale et **Monitor ON/OFF** (Moniteur Marche/Arrêt) sur marche (ON).
- 2 Positionner le sélecteur **AV In/DVD** de l'unité principale sur **DVD**.
- 3 Positionner le sélecteur **AV 1/AV 2** du moniteur sur **AV 2**. Le logo du DVD s'affiche sur les deux écrans pour indiquer que le système démarre.

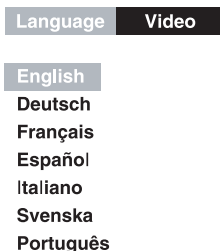
Remarque:

Débrancher le cordon d'alimentation CA si l'appareil ne doit pas être utilisé pendant une période prolongée.

Personnalisation des paramètres des fonctionnalités**Configuration de la langue****Pour changer la langue:**

- 1 Appuyer sur la touche **Setup** (Configuration) en mode arrêt pour sélectionner **Language/Video**.

- 2 Dans l'écran **Language/Video** , appuyer sur la touche directionnelle droite ou gauche pour sélectionner **Language**.



- 3 Appuyer sur la touche directionnelle haut ou bas pour sélectionner la langue souhaitée, puis appuyer sur **ENTER** (Entrée) pour confirmer (l'écran s'affichera en utilisant la langue sélectionnée).
- 4 Pour quitter le menu de configuration et revenir à l'écran normal, appuyer sur **Return** (Retour).

Video Setup (Configuration vidéo)

Trois options vidéo peuvent être réglées:

- TV Shape (Format d'écran)
- Brightness (Luminosité)
- Edges (Bordures)

Le format d'écran dispose de trois options pour le visionnement de DVD: pan scan (balayage panoramique), letter box (boîte aux lettres), ou wide screen (panoramique).

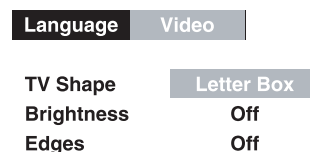
<p>Pan Scan</p> <ul style="list-style-type: none"> • Quand une vidéo panoramique est reproduite, ce mode coupe les bordures droite et gauche de l'image, afin qu'elle puisse être visualisée sur un écran conventionnel. • Certains DVD avec images en panoramique qui ne permettent pas la lecture en mode de balayage progressif sont automatiquement lus en mode boîte aux lettres (avec des bandes noires sur la partie supérieure et inférieure de l'écran). 	<p>Tronquée quand l'image vidéo reproduite est en panoramique.</p>
<p>Letter Box (Boîte aux lettres)</p> <p>Si une vidéo en panoramique est reproduite dans ce mode sur un écran conventionnel, des bandes noires apparaissent sur la partie supérieure et inférieure de l'écran.</p>	
<p>Wide Screen (Panoramique)</p> <p>C'est le mode adapté pour la lecture de vidéo panoramiques sur un grand écran.</p>	

Remarque:
La taille d'image affichable est pré-réglée sur le disque DVD. Aussi l'image reproduite de certains disques DVD peut ne pas être conforme à la taille d'image sélectionnée.

Remarque:
Lors de la lecture de disques DVD enregistrés avec un format d'image 4:3, l'image reproduite sera toujours affichée au format 4:3 quel que soit le format d'écran configuré.

Pour modifier les paramètres de l'image vidéo:

- 1 Appuyer sur la touche **Setup** (Configuration) en mode arrêt pour sélectionner **Language/Video**.
- 2 Dans l'écran **Language/Video**:
 - Appuyer sur la touche directionnelle droite ou gauche pour sélectionner **Video**.
 - Appuyer sur la touche **Enter** (Entrée) pour accéder aux options vidéo.
 - Appuyer sur la touche directionnelle haut ou bas pour sélectionner l'option **[TV Shape (Format d'écran) Brightness (Luminosité), ou Edges (Bordures)]**, puis appuyer sur la touche directionnelle droite.



- 3 Appuyer sur la touche directionnelle haut ou bas pour sélectionner le réglage vidéo souhaité puis sur la touche **Enter** (l'écran s'affichera en utilisant la configuration sélectionnée).
- 4 Répéter les étapes 2 à 3 pour régler d'autres options.
- 5 Pour quitter le menu de configuration et revenir à l'écran normal, appuyer sur **Return** (Retour).

Classification

Les DVD sont dotés d'une fonction mot de passe et sont classifiés en fonction de leur contenu.

Les parents peuvent contrôler le visionnement du contenu à l'aide du verrouillage parental, qui est organisé en niveaux différents de visionnement approprié. Le contrôle du visionnement peut varier selon les disques. Par exemple, si le disque le permet, il est possible de bloquer les scènes de violence inappropriées pour les enfants ou de verrouiller la lecture de tout le disque.

Pour configurer la classification:

- 1 Appuyer sur la touche **Setup** (Configuration) en mode arrêt.
- 2 Appuyer sur la touche directionnelle haut ou bas pour sélectionner **Rating** (Classification), puis sur la touche **Enter**.



- 3 Appuyer sur la touche directionnelle haut ou bas pour sélectionner **Parental Lock** (Verrouillage parental), puis sur la touche **Enter** de façon répétée jusqu'au paramètre de verrouillage ou classification souhaité.

Les niveaux de verrouillage parental sont équivalents à la classification suivante:

1: KID SAFE (Pour enfants)	5: PG-R
2: G	6: R
3: PG	7: NC-17
4: PG-13	8: ADULT

Remarque:

Il n'est pas possible de reproduire un DVD qui a un niveau de classification plus élevé que celui sélectionné, sauf si la fonction de verrouillage parental est désactivée.

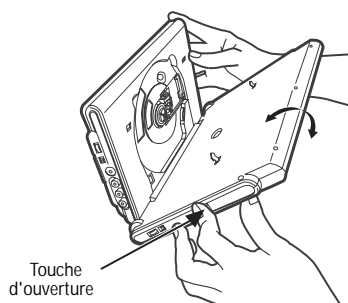
Une icône sur l'écran s'affiche si le verrouillage est activé:

	Signifie que le contrôle parental est désactivé.
	Signifie que le contrôle parental est activé.

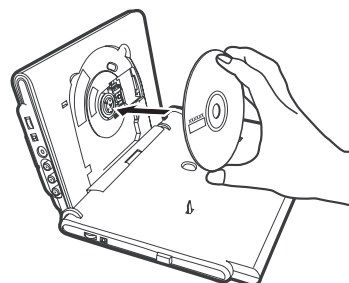
- Appuyer sur la touche directionnelle haut ou bas pour sélectionner **Password** (Mot de passe). Saisir le code de sécurité à 4 chiffres et appuyer sur la touche **Enter**.
- En cas d'oubli du mot de passe, il est possible de supprimer le mot de passe existant en appuyant quatre fois sur le **8** de la télécommande, puis d'appuyer sur la touche **Enter** pour confirmer la configuration (Mot de passe: 8888). Réinitialiser le mot de passe tel qu'indiqué à l'étape 4.
- Appuyer sur la touche directionnelle haut ou bas pour sélectionner **Factory Set** (Paramètre usine), pour revenir aux paramètres par défaut. Appuyer sur la touche **Enter** pour basculer entre **Yes** (Oui) et **No** (Non). Il faut de 3 à 5 secondes pour réinitialiser l'appareil aux paramètres usine.
- Pour quitter le menu de configuration et revenir à l'écran normal, appuyer sur **Return** (Retour).

Chargement d'un DVD ou d'un CD

- Ouvrir le plateau à disque en appuyant sur la touche Open (Ouvrir).



- Tenir le disque par la périphérie et le placer sur l'axe central avec la face imprimée tournée vers le haut jusqu'à entendre un déclic.



- Fermer le plateau. L'appareil nécessite un cours instant pour charger le disque. Puis l'appareil commence automatiquement la lecture de la plupart des DVD.
- Si la lecture ne commence pas automatiquement, appuyer sur la touche **Play** (Lecture).

Utilisation du lecteur de DVD et du moniteur avec un autre équipement

Pour utiliser une console de jeux vidéo ou un équipement vidéo externe avec le lecteur de DVD:

- Mettre l'appareil en marche et positionner le sélecteur **AV In/DVD** sur **AV In**.
- Mettre l'équipement vidéo en marche et suivre les instructions fournies avec cet équipement pour lire le disque.

Remarque:

Avec un magnétoscope mono, le niveau sonore émis par les haut-parleurs sera faible.

Pour regarder un DVD sur le téléviseur avec le lecteur de DVD:

- Mettre l'appareil en marche et positionner le sélecteur **AV In/DVD** sur **DVD**.
- Mettre le téléviseur en marche et suivre les instructions fournies avec cet équipement pour reproduire le DVD.

Pour utiliser un autre équipement audio avec le lecteur de DVD:

- Mettre l'appareil en marche et positionner le sélecteur **AV In/DVD** sur **DVD**.
- Mettre l'équipement audio en marche et suivre les instructions fournies avec cet équipement pour sélectionner la fonction entrée audio.

Remarque:

- Il peut se produire des interférences si la fonction syntoniseur radio est sélectionnée alors que le téléviseur est en marche.
- S'assurer d'utiliser le câble audio-vidéo correct. Si les prises ne sont pas connectées correctement il peut en résulter un signal faible.
- Si le magnétoscope est stéréo, vérifier qu'il est en mode stéréo.
- En raison de la protection des droits d'auteur, les films DVD ne peuvent être copiés. Si un film DVD est copié sur une bande-vidéo, la copie effectuée ne sera pas claire et le son sera de faible qualité. Ce n'est pas le résultat d'un fonctionnement défectueux de l'appareil.

Pour utiliser un lecteur de DVD externe ou un magnétoscope avec le moniteur:

- 1 Mettre le moniteur en marche et positionner le sélecteur **AV 1/AV 2** sur **AV 1**.
- 2 Mettre le lecteur de DVD ou le magnétoscope en marche et suivre les instructions fournies avec cet équipement pour lire le disque.

Remarque:

Avec un magnétoscope mono, le niveau sonore émis par les haut-parleurs sera faible.

Pour utiliser une console de jeux vidéo avec le moniteur:

- 1 Mettre le moniteur en marche et positionner le sélecteur **AV 1/AV 2** sur **AV 1**.
- 2 Mettre la console de jeux vidéo en marche et suivre les instructions fournies avec la console pour jouer.

Lecture de disques

Après la mise sous tension et le chargement d'un DVD ou d'un CD, utiliser les fonctions suivantes pour faire fonctionner le lecteur de DVD.

Arrêt momentané de la lecture (Mode arrêt sur image)

Pour arrêter momentanément la lecture:

- 1 Appuyer sur la touche **Pause** pour arrêter momentanément la lecture.
- 2 Pour reprendre la lecture normale, appuyer sur **Play** (Lecture). Chaque fois que la touche **Pause** est appuyée, l'image suivante est affichée.

Arrêt de la lecture

Pour arrêter la lecture:

- 1 Appuyer sur la touche **Stop** (Arrêt) pendant la lecture pour l'interrompre à l'endroit souhaité. Appuyer sur la touche **Play** pour reprendre la lecture à partir du point où elle s'était interrompue.
- 2 Appuyer deux fois sur **Stop** pour réinitialiser la mémoire de l'unité principale. Appuyer de nouveau sur **Play** pour revenir au début du disque.

Saut de pistes

Pour aller à une piste différente:

- 1 Appuyer de façon répétée sur la touche **Prev** pour sauter au début de la piste en cours ou de la précédente.
- 2 Appuyer sur la touche **Next** (Suivant) pour passer à la piste suivante.
- 3 Pour des CD audio, utiliser les touches numériques (de la télécommande uniquement) pour sauter directement à un numéro de piste.

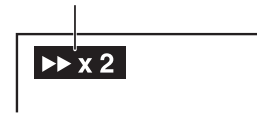
Recherche avant ou arrière rapide

Pour balayer les DVD:

- 1 Appuyer sur les touches de **Recherche >>** ou **<<** quand un disque est en cours de lecture. Le disque commence une recherche rapide à 2 fois la vitesse.

- 2 Quatre vitesses sont disponibles: 2, 4, 8 et 20 fois. Maintenir appuyé la touche **Recherche >>** ou **<<** pour modifier la vitesse de la recherche rapide.

Vitesse de recherche rapide



- 3 Appuyer sur la touche **Play** (Lecture) quand le point souhaité est atteint pour reprendre la lecture à une vitesse normale.

Remarque:

Il est aussi possible de maintenir appuyées les touches **Prev** ou **Next** de façon continue pour sélectionner différentes vitesses de recherche.

Saut avant ou arrière

Pour aller vers l'avant ou revenir en arrière:

- 1 Appuyer sur la touche **Next** pour sauter au début du chapitre ou de la piste suivante pendant la lecture d'un disque.
- 2 Appuyer sur la touche **Prev** pour aller au chapitre ou à la piste précédente. Le chapitre ou la piste sélectionnée est lu automatiquement.

Sélection de l'audio

Sur certains disques, le son est enregistré en deux formats ou plus.

Pour sélectionner le type de lecture:

- 1 Pendant la lecture d'un disque, appuyer sur la touche **Audio** pour afficher le numéro du format audio actuel.



- 2 Appuyer de façon répétée sur la touche **Audio** pour sélectionner le format audio souhaité.

Remarque:

Si un seul format audio est enregistré, le numéro ne change pas. Environ 2 secondes plus tard, la lecture continue au format audio sélectionné.

Sélection des sous-titres

Pour sélectionner un sous-titre:

- 1 Pendant qu'un disque est en cours de lecture, appuyer sur la touche **Subtitle/Return** (Sous-titres/Retour) pour afficher le paramètre actuel de la langue.



- 2 Appuyer de façon répétée sur la touche **Subtitle/Return** pour sélectionner la langue souhaitée pour les sous-titres.

Remarque:

- Si une seule langue est enregistrée, la langue ne change pas. Environ 2 secondes plus tard, la lecture continue avec le nouveau sous-titre sélectionné.
- Le nombre de langues enregistrées diffère en fonction des disques.

- Si aucune touche n'est appuyée pendant quelques secondes, la lecture continue sans modifier le sous-titre actuel.
- Cette fonction ne peut être utilisée que si des sous-titres dans des langues différentes ont été enregistrés sur le disque.
- Sur certains DVD, les sous-titres sont activés à partir du menu principal du disque. Appuyez sur la touche **Menu** pour activer le menu principal.

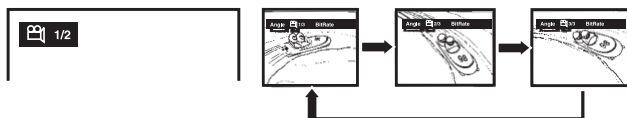
Sélection de l'angle

Certains DVD contiennent des scènes ayant été filmées simultanément selon un certain nombre d'angles différents. Pour ces disques, les mêmes scènes peuvent être visualisées selon chacun de ces différents angles.

Pour sélectionner un angle:

- 1 Pendant la lecture d'un DVD doté de différents angles, appuyer sur la touche **Angle** pour afficher le numéro de l'angle actuel disponible.

Séquence d'angles de prise de vues
(exemple)



- 2 Appuyer de façon répétée sur la touche **Angle** pour passer d'un angle enregistré à l'autre. Environ 2 secondes plus tard, la lecture continue avec le nouvel angle sélectionné. Si aucune touche n'est appuyée dans les 10 secondes, la lecture continue sans modifier l'angle actuel.

Remarque:

Cette fonction est inopérante si le disque ne dispose que d'un angle de prise de vues enregistré. Si un seul angle est enregistré, une icône indiquant un seul angle est affichée.

Fonctions spéciales

Fonction d'affichage

À l'aide de la fonction **Display** (Affichage), il est possible de vérifier la configuration actuelle pour l'angle, l'audio et les sous-titres.

- Avec un disque en cours de lecture, appuyer sur la touche **Display** et l'écran du téléviseur affiche ce qui suit:

Durée écoulée	Temps restant
00:07:18	01:12:18

- **La durée écoulée** correspond au temps écoulé depuis le commencement du chapitre en cours de lecture.
- **Le temps restant** correspond au temps de lecture restant pour le titre en cours de lecture.

Fonction GOTO (Aller à)

Cette fonction permet de sauter directement à un endroit quelconque du disque pendant sa lecture.

Localisation d'un titre particulier

Si un DVD contient des numéros de titre, il est possible de localiser un titre particulier en sélectionnant directement son numéro à l'aide de la télécommande.

Pour localiser un titre en particulier:

- 1 Appuyer sur la touche **GOTO**, puis sur la touche directionnelle droite ou gauche pour mettre en surbrillance le champ du titre.
- 2 Appuyer sur le numéro correspondant du titre souhaité, puis sur la touche **ENTER** pour confirmer. L'appareil commencera la lecture environ 3 secondes plus tard.

Title/Chapter --- / ---

Localisation d'un chapitre ou d'une piste particulière

Si un DVD contient des numéros de chapitre, il est possible de localiser un chapitre particulier ou une piste de CD en sélectionnant directement son numéro à l'aide de la télécommande.

Pour localiser un chapitre ou une piste en particulier:

- 1 Appuyer sur la touche **GOTO**, puis sur la touche directionnelle droite ou gauche pour mettre en surbrillance le champ du chapitre ou de la piste.
- 2 Appuyer sur le numéro correspondant de la sélection souhaitée, puis sur la touche **ENTER** pour confirmer. L'appareil commencera la lecture environ 3 secondes plus tard.

DVD Title/Chapter --- / ---

CD Track ---

Localisation d'un point particulier

Il est possible d'aller à une position spécifique en saisissant directement la durée (heures, minutes, secondes).

Localisation d'un point particulier:

- 1 Appuyer sur la touche **GOTO** pour sélectionner la durée.
- 2 Appuyer sur la touche directionnelle gauche ou droite pour mettre en surbrillance le champ durée, puis appuyer sur la touche du chiffre correspondant pour la durée souhaitée.
- 3 Appuyer sur **Enter** (Entrée) pour confirmer la sélection. L'appareil affiche la sélection et commence la lecture environ 3 secondes plus tard.

Time --:--:--

Remarque:

Certains disques peuvent ne pas disposer de cette fonction. Certaines scènes peuvent ne pas être situées à la position précise spécifiée.

Cette méthode d'accès à une position spécifique n'est disponible que pour le titre du DVD en cours de lecture.

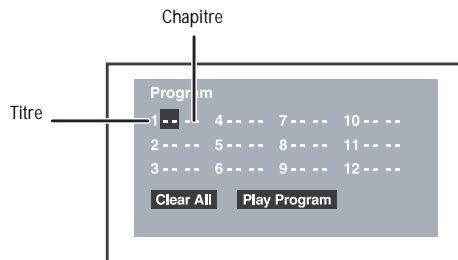
Programmation d'une lecture mémorisée

Les deux types de lecture programmées disponibles sur ce lecteur de DVD sont la lecture programmée d'un titre ou chapitre et d'une piste.

Lecture programmée d'un titre/chapitre

Pour programmer la lecture du DVD:

- 1 Appuyer sur la touche **Memory** (Mémoire) quand le DVD est en mode arrêt.
- 2 À l'aide de la télécommande, saisir le numéro du titre dans le premier champ disponible (vide) de l'écran **Program**.

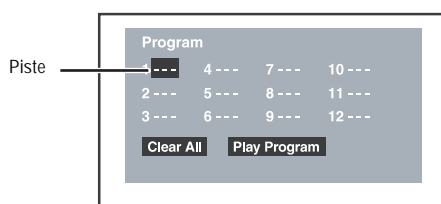


- 3 Appuyer sur la touche directionnelle droite ou gauche pour mettre en surbrillance le champ du chapitre, puis saisir le numéro de chapitre.
- 4 Utiliser une des touches directionnelle pour aller sur un autre champ.
- 5 Répéter les étapes 2 à 4 jusqu'à ce que tous les titres et chapitres soient programmés.
- 6 Appuyer sur la touche **Play** ou mettre en surbrillance **Play Program** (Lecture du programme) et appuyer sur **Enter** pour commencer la lecture programmée.
- 7 Utiliser une des touches directionnelles pour aller sur **Clear All** (Effacer tout), puis appuyer sur **Enter** pour effacer toutes configurations.

Lecture de pistes programmées de CD

Pour programmer la lecture du CD:

- 1 Appuyer sur la touche **Memory** (Mémoire) quand le CD est en mode arrêt.
- 2 À l'aide de la télécommande, saisir le numéro de la piste dans le premier champ disponible (vide) de l'écran **Program**.



- 3 Utiliser une des touches directionnelle pour aller sur le champ suivant.
- 4 Répéter les étapes 2 à 3 jusqu'à ce que toutes les pistes soient programmées.
- 5 Appuyer sur la touche **Play** ou mettre en surbrillance **Play Program** (Lecture du programme) et appuyer sur **Enter** pour commencer la lecture programmée.
- 6 Utiliser une des touches directionnelles pour aller sur **Clear All** (Effacer tout), puis appuyer sur **Enter** pour effacer toutes les configurations.

Lecture répétée

Il est possible de lire en boucle un titre, un chapitre ou une section spécifique de DVD (répéter titre, répéter chapitre et répéter de A à B).

Il est également possible de lire en boucle soit une seule piste d'un CD ou tout le CD.

Lecture en boucle d'un chapitre ou d'un titre

Pour répéter un chapitre ou un titre de DVD:

- 1 Pour répéter un chapitre alors que le disque est en cours de lecture, appuyer sur la touche **Repeat Disc** (Répéter disque) jusqu'à l'affichage de **Repeat Chapter** (Répéter chapitre). Le chapitre en cours est alors lu en boucle.
- 2 Pour répéter un titre alors que le disque est en cours de lecture, appuyer sur la touche **Repeat Disc** (Répéter disque) jusqu'à l'affichage de **Repeat Title** (Répéter titre). Le titre en cours est alors lu en boucle.
- 3 Pour reprendre la lecture normale alors que le disque est en cours de lecture, appuyer sur la touche **Repeat Disc** jusqu'à l'affichage de **Off** (Désactivé). La lecture normale reprend.

Répétition d'une section spécifique

Pour répéter une section spécifique d'un DVD ou d'un CD:

- 1 Pendant la lecture du disque, appuyer sur la touche **REPEAT A-B** pour fixer le début de la section à lire en boucle. **Rep A-** (Répéter A-) s'affiche.
- 2 Appuyer de nouveau sur la touche **Repeat A-B** (Répéter de A à B) à la fin de la section. **REP A-B** (Répéter de A à B) s'affiche et l'appareil commence immédiatement la lecture en boucle de la sélection.
- 3 Pour reprendre la lecture normale alors que le disque est en cours de lecture, appuyer sur la touche **Repeat A-B** jusqu'à l'affichage de **Off** (Désactivé). La lecture normale reprend.

Remarque:

La fonction de répétition A-B ne peut être utilisée qu'à l'intérieur du même titre. Si le début et la fin de la section à lire en boucle sont dans des titres différents, la fonction de répétition A-B sera annulée.

La fonction de répétition A-B est inopérante pour les scènes qui ont plusieurs angles de prise de vues enregistrés.

Répétition d'une piste ou de tout un CD

Pour répéter la lecture d'une piste ou d'un CD tout entier:

- 1 Pour répéter une piste alors que le disque est en cours de lecture, appuyer sur la touche **Repeat Disc** (Répéter disque) jusqu'à l'affichage de **Repeat Single** (Répéter une piste). Le lecteur de CD lit alors la piste actuelle en boucle.
- 2 Pour répéter tout un CD alors que le disque est en cours de lecture, appuyer sur la touche **Repeat Disc** (Répéter disque) jusqu'à l'affichage de **Repeat All** (Répéter tout le disque). Tout le disque est lu en boucle.

- 3 Pour reprendre la lecture normale alors que le disque est en cours de lecture, appuyer sur la touche **Repeat Disc** jusqu'à l'affichage de **Off** (Désactivé). La lecture normale reprend.

Lecture de disques MP3 et de fichiers photo

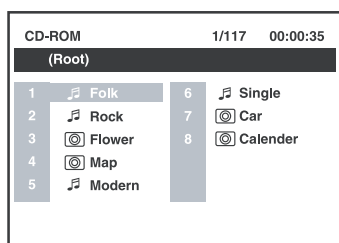
Ce lecteur peut lire les fichiers MP3 ou de photo enregistrés sur des disques CD-R et CD-RW.

Lecture d'un disque de fichiers MP3 ou de photo

Pour lire un disque de fichiers MP3 ou de photo:

- 1 Charger le disque de fichiers MP3 ou de photo:
 - Ouvrir le plateau à disque en appuyant sur la touche **Open** (Ouvrir).
 - Tenir le disque par la périphérie et le placer sur l'axe central avec la face imprimée tournée vers le haut jusqu'à entendre un déclic.
 - Fermer le plateau.

L'appareil charge le disque et affiche son contenu, en commençant par la première piste ou le premier fichier de photo. Les fichiers sur le CD sont lus un à la fois.



- 2 Appuyer la touche directionnelle pour visualiser ou sélectionner un fichier sur le CD. Appuyer sur **Enter** pour confirmer une sélection audio et commencer la lecture.
- 3 Appuyer sur **Pause** pour interrompre la lecture et sur **Play** pour la reprendre.

Remarque:

- Il est aussi possible d'utiliser la fonction **GOTO** (Aller à) ou d'utiliser les touches numériques pour saisir un numéro de photo et sélectionner rapidement l'une d'entre elles.
- Appuyer sur la touche **Angle** de la télécommande pour faire pivoter l'image de 90°.

Fichiers pouvant être reproduits

La capacité de cet appareil de lire les disques MP3 dépend de ce qui suit:

- Le débit binaire doit être entre 64 et 256 kbps.
- Le nombre total de fichiers sur le disque ne doit pas être supérieur à 254.
- Le nombre maximal de répertoires ne doit pas être supérieur à 32.
- Le nombre de niveau maximal des sous-répertoires ne doit pas être supérieur à 4.
- Les noms de fichiers ne doivent pas dépasser 7 caractères et doivent incorporer l'extension « MP3 ». Par exemple: *****.MP3 où chaque * est une lettre ou un chiffre.

- N'utiliser que des lettres ou des chiffres pour les noms de fichiers. Si des caractères spéciaux sont utilisés, les noms de fichiers ou de dossiers peuvent ne pas être affichés correctement.
- Pour graver des disques CD-R, utiliser des disques de 74 minutes (650 Mo).
- Les disques CD-R ou -RW doivent être finalisés par l'ordinateur à l'aide du format session unique avec une vitesse d'enregistrement inférieure à 8x.
- Se reporter à l'application de création de CD/MP3 pour plus d'information.

Entretien du lecteur de DVD

Nettoyage du lecteur

- Essuyer avec un chiffon propre. Si l'appareil est très sale, humidifier le chiffon avec une solution diluée de détergent neutre et d'eau et le nettoyer. Ne pas utiliser d'air comprimé pour enlever la poussière.

Entretien des disques

- Ne pas toucher la surface de la face du disque dépourvue d'étiquette.
- Ne coller ni papier ni adhésif sur la surface du disque.
- Ne pas exposer le disque à la lumière solaire directe ou à d'autres sources de chaleur excessives.
- Ne pas utiliser de disques à forme irrégulière (tels que les disques cordiformes ou octogonaux). Cela peut être source de fonctionnement défectueux.

Nettoyage des disques

Un disque sale provoquera une lecture défectueuse (son irrégulier) et s'il est très sale il peut ne pas être lu. Manipuler le disque en le tenant par la périphérie et le centre.

- Les empreintes digitales et la poussière sur la surface du DVD ou du CD doivent être essuyées délicatement avec un chiffon doux. Les essuyer d'un mouvement régulier en partant du centre vers la périphérie.
- Ne jamais utiliser de diluant, benzène, nettoyant pour disques conventionnels ou vaporisateur antistatique sur un DVD ou CD, cela pourrait endommager la surface en plastique.

Remarque:

Retirer tous les disques du compartiment avant de déplacer l'appareil.

Problèmes et solutions

Problème	Solution
Pas d'alimentation	<ul style="list-style-type: none"> Vérifier que le cordon d'alimentation CA ou CC est connecté. Vérifier que le téléviseur est allumé.
La télécommande ne fonctionne pas.	<ul style="list-style-type: none"> Éliminer les obstacles entre la télécommande et l'appareil. Rapprocher la télécommande de l'appareil. Pointer la télécommande vers le capteur de télécommande de l'appareil. Mettre une pile neuve dans la télécommande.
Le lecteur de DVD a un son faible ou pas de son	<ul style="list-style-type: none"> Vérifier que le mode DVD a bien été sélectionné. Le système est en mode pause. Appuyer sur PLAY (Lecture) pour revenir au mode de lecture normale. Le lecteur de DVD est en mode d'avance ou de retour rapide. Appuyer sur PLAY (Lecture) pour revenir au mode de lecture normale. Vérifier que les connexions de la sortie AUDIO/VIDÉO sont correctes. La piste sonore DTS du DVD ne peut pas être décodée pour la sortie haut-parleur. L'appareil chauffe. Éteindre l'appareil et le laisser refroidir pendant 30 minutes.
Absence d'image	Le numéro de la région du disque ne correspond pas au numéro de région de cet appareil.
L'image n'est pas claire	Le disque est rayé. Nettoyer le disque.
Ronflements et bruits importants.	<ul style="list-style-type: none"> Les connecteurs et les prises sont sales. Les nettoyer avec un chiffon légèrement humidifié à l'alcool. Nettoyer le disque.
Le disque n'est pas lu	<ul style="list-style-type: none"> Absence de disque chargé (No Disc [pas de disque] s'affiche). Insérer le disque correctement. Nettoyer le disque. Un disque qui n'est pas au standard NTSC a été inséré. Les numéros de région de l'appareil et du disque ne correspondent pas. De la condensation peut s'être formée à l'intérieur de l'appareil par suite d'une variation soudaine de température. Attendre environ une heure pour que la condensation s'évapore et essayer de nouveau.

Garantie limitée

Insignia Products garantit au premier acheteur de ce produit, qu'il sera exempt de défauts de fabrication et de main-d'oeuvre pour une période de quatre vingt dix (90) jours à partir de la date d'achat, conformément aux détails ci-dessous :

- 1 MAIN-D'OEUVRE** : Pendant la période de garantie, si ce produit est considéré comme étant défectueux, Insignia le réparera ou le remplacera, à sa convenance, gratuitement, ou paiera les frais de main-d'oeuvre à tout service de réparation agréé par Insignia. Au-delà de la période de garantie, l'utilisateur sera redevable de tous les frais afférents à la main-d'oeuvre.
- 2 PIÈCES DÉTACHÉES** : En outre, Insignia fournira gratuitement les pièces détachées neuves ou remises à neuf, en échange des pièces défectueuses pendant la durée de la garantie. À l'expiration de la période de garantie le coût de toute pièce détachée sera à votre charge.

Pour obtenir le service de la garantie, vous devrez amener le produit accompagné du reçu original ou de toute autre preuve d'achat, soit dans son emballage original, soit dans un emballage procurant des conditions identiques de protection, chez votre détaillant le plus proche du magasin ou site web où vous vous serez procuré le produit.

Cette garantie ne couvre pas les dommages esthétiques, ou ceux résultants de catastrophes naturelles, de la foudre, d'un accident, d'une mauvaise utilisation, de manipulations abusives, de négligence, d'une utilisation commerciale ou d'une modification de tout ou partie du produit, y compris l'antenne. Cette garantie ne couvre aucun dommage ayant pour origine une utilisation ou une maintenance défectueuse, la connexion à une source électrique dont la tension est inadéquate, ou encore toute réparation réalisée par quiconque autre qu'un service de réparation agréé par Insignia. Cette garantie ne couvre pas les produits vendus « EN L'ÉTAT » ou « HORS SERVICE », ou les consommables (tels que les fusibles ou les piles). Cette garantie n'est applicable qu'aux États-Unis et au Canada.

La garantie est annulée si le numéro de série usine a été altéré ou enlevé du produit.

LA RÉPARATION OU LE REMPLACEMENT, TELS QU'OFFERTS PAR CETTE GARANTIE CONSTITUENT LE SEUL RECOURS DU CONSOMMATEUR. INSIGNIA NE POURRA PAS ÊTRE TENU POUR RESPONSABLE DE DOMMAGES ACCESSOIRES OU CONSÉCUTIFS, OU DE L'INEXÉCUTION D'UNE GARANTIE EXPRESSE OU IMPLICITE SUR CE PRODUIT. SAUF POUR LES DISPOSITIONS PROHIBÉES PAR LES LOIS APPLICABLES, TOUTE GARANTIE IMPLICITE DE QUALITÉ MARCHANDE OU D'ADAPTATION À UN USAGE PARTICULIER RELATIVE À CE PRODUIT EST LIMITÉE À LA PÉRIODE DE GARANTIE APPLICABLE TELLE QUE DÉCRITE CI-DESSUS.

Certains états ou provinces ne permettent ni l'exclusion ou la limitation des dommages accessoires ou consécutifs, ni les limitations implicites de durée d'une garantie, de sorte que les limitations ou exclusions énoncées ci-dessus peuvent être nulles dans votre cas. Cette garantie vous donne des droits spécifiques, et vous pouvez aussi disposer d'autres droits qui varient d'un état à l'autre, ou d'une province à une autre.

Vous pouvez contacter le service à la clientèle en appelant le 1-877-467-4289

www.insignia-products.com

Insignia Products, Richfield, Minnesota , U.S.A.

Droits d'auteurs

© 2006 Insignia. Insignia et le logo Insignia sont des marques de commerce de Best Buy Enterprise Services, Inc. Les autres noms de marques et de produits mentionnés sont des marques de commerce ou des marques déposées de leurs propriétaires respectifs. Les spécifications et caractéristiques sont susceptibles d'être modifiées sans préavis.

Assistance technique: (877) 467-4289

Adresse Web: www.insignia-products.com

Reproductor de DVD portátil con dos pantallas Insignia NS-MDDVD10

Contenido


Introducción	38
Información de seguridad	38
Características	41
Preparación del reproductor de DVD	43
Uso del reproductor de DVD	47
Mantenimiento de su reproductor de DVD	54
Solución de Problemas	55
Garantía Limitada	55
Derechos de reproducción	56


Introducción


Felicitaciones por su compra de un producto de alta calidad de Insignia. Su reproductor de DVD portátil con dos pantallas NS-MDDVD10 representa lo último en tecnología de reproductores de DVD y está diseñado para brindar un rendimiento confiable y sin problemas. Este reproductor de DVD puede reproducir los siguientes discos:

- Control remoto (con pila)
- Adaptador de CA con cable de alimentación de CA
- Adaptador de alimentación para vehículos
- Cable de audio/video
- Audífonos
- Correa
- Bolsa de transporte
- Esta *Guía del Usuario*

Información de seguridad

Advertencia  Para reducir el riesgo de incendio o choque eléctrico, no exponga su reproductor de DVD a la lluvia o a la humedad.

Advertencia  Para reducir el riesgo de choque eléctrico, no retire la cubierta (o parte posterior). No hay partes reparables por el usuario adentro. Para realizar reparaciones acuda al personal de servicio calificado.

Cuidado  Cualquier cambio o modificación a esta unidad que no esté aprobada expresamente por la parte responsable de su conformidad puede anular la autoridad del usuario para operar el equipo.

Lea las instrucciones

Lea todas las instrucciones de seguridad y operación antes de operar su reproductor de DVD.

Guarde las instrucciones

Guarde las instrucciones de seguridad y operación para referencia futura.

Preste atención a las advertencias

Preste atención a todas las advertencias sobre su reproductor de DVD y a las instrucciones de operación y uso.

Agua y humedad

No use su reproductor de DVD cerca de agua como, por ejemplo, cerca de una bañera, lavabo, fregadero de cocina, tina de lavandería, en un sótano mojado o cerca de una piscina.

Montaje en pared o techo

No monte su reproductor de DVD en la pared o en el techo a menos que el fabricante recomiende este tipo de montaje.

Accesorios

Use solamente los dispositivos/accesorios especificados por el fabricante. Use el reproductor de DVD solamente con un carro, plataforma, trípode, consola o mesa especificados por Insignia o vendidos con el reproductor de DVD. Cuando use un carro, tenga cuidado al mover el carro con el reproductor de DVD para evitar lesiones si éste se voltea de lado.



Ventilación

Ranuras y aberturas en la parte posterior o inferior del gabinete se proveen para ventilación, para asegurar la operación confiable del reproductor de DVD, y para protegerlo contra el sobrecalentamiento. Estas aberturas no se deben bloquear ni cubrir. No coloque la unidad sobre una cama, un sofá, una alfombra u otra superficie similar. No coloque la unidad cerca o sobre un radiador o fuente de calor. No coloque su reproductor de DVD en una instalación integrada, tal como un librero o estantería a menos que se proporcione ventilación apropiada o se hayan seguido las instrucciones del fabricante.

Fuente de alimentación

Opere su reproductor de DVD sólo con el tipo de fuente de alimentación indicado en la placa de clasificación (ubicada en la parte posterior del reproductor).

Si no está seguro del tipo de electricidad que usa en su casa, consulte con el vendedor de su reproductor de DVD o con la compañía eléctrica local.

Conexión a tierra y polarización

Su reproductor de DVD está equipado con un enchufe polarizado de corriente alterna (un enchufe que tiene una clavija más ancha que la otra). Este enchufe se conecta en el tomacorriente de una sola forma. Ésta es una característica de seguridad. Si no puede insertar completamente el enchufe en el tomacorriente, intente darle vuelta al enchufe. Si el enchufe todavía no entra, contacte a su electricista para que reemplace el tomacorriente obsoleto.

En vez de usar un enchufe polarizado de corriente alterna, su reproductor de DVD puede estar equipado con un enchufe de 3 conductores con conexión a tierra (un enchufe con una tercera clavija conectada a tierra). Este enchufe solamente entrará en un tomacorriente equipado con conexión a tierra. Ésta es una característica de seguridad. Si no puede insertar el enchufe en el tomacorriente, comuníquese con su electricista para que reemplace el tomacorriente obsoleto. No anule el propósito de seguridad del tipo de enchufe con conexión a tierra.

Protección del cable de alimentación

Los cables de alimentación deben colocarse de manera que no se pisen o sean aplastados por artículos colocados sobre ellos o contra ellos. Preste especial atención a los cables en los enchufes, receptáculos y en el punto en que salen del reproductor de DVD.

Audífonos

Al usar los audífonos, mantenga el volumen a un nivel moderado. Si usa los audífonos continuamente con sonido de volumen alto, esto puede causar daño al oído.

Rayos

Para proteger su reproductor de DVD durante una tormenta de rayos, o cuando se deje sin usar por un periodo de tiempo extendido, desconéctelo del tomacorriente de pared y desconecte la antena o el sistema de cable. Esto evitará que su reproductor de DVD sufra daños debido a relámpagos o sobretensión de energía.

Sobrecarga

No sobrecargue los tomacorrientes ni los cables de extensión, ya que dicha sobrecarga puede constituir un peligro de incendio o choque eléctrico.

Ingreso de objetos y líquidos

Nunca inserte objetos de ningún tipo a través de las aberturas del reproductor de DVD, ya que estos pueden tocar puntos de voltaje peligrosos o hacer cortocircuito con otros componentes, lo cual puede causar un incendio o choque eléctrico. Nunca derrame, ni rocíe líquidos de ninguna clase sobre el reproductor de DVD.

Daños que requieren reparación

No intente reparar su reproductor de DVD usted mismo. Abrir o remover las cubiertas lo puede exponer a voltajes peligrosos u otros riesgos. Desconecte su reproductor de DVD del tomacorriente y solicite la reparación a personal calificado bajo las siguientes condiciones:

- Cuando el cable de alimentación o el enchufe se dañen.
- Si se ha derramado líquido o han caído objetos dentro del reproductor de DVD.
- Si el reproductor de DVD ha sido expuesto a la lluvia o al agua.

- Si el reproductor de DVD no funciona normalmente siguiendo las instrucciones de operación. Ajuste únicamente los controles que están cubiertos en las instrucciones de operación, ya que el ajuste incorrecto de otros controles podría resultar en daño y frecuentemente requerirá trabajo intensivo por un técnico calificado para que el reproductor de DVD vuelva a funcionar normalmente.
- Si su reproductor de DVD se ha caído o si se ha dañado el gabinete.
- Un cambio evidente en el funcionamiento de su reproductor de DVD indica que necesita reparación.

Piezas de repuesto

Cuando se necesitan repuestos, asegúrese de que el técnico de reparación use repuestos especificados por el fabricante o que tengan las mismas características que la parte original. Las substituciones no autorizadas pueden resultar en incendio, choque eléctrico u otros riesgos.

Verificación de seguridad

Después de completar la reparación de su reproductor de DVD, pídale al técnico de servicio que realice verificaciones de seguridad para determinar que su reproductor de DVD se encuentra en buen estado de funcionamiento.

Calor

No instale su reproductor de DVD cerca de fuentes de calor tales como radiadores, estufas u otros productos (tales como amplificadores) que produzcan calor.

Ranura para discos

Mantenga los dedos lejos de la bandeja de discos cuando ésta se cierre. Usted se podría lastimar.

Rayo láser

No mire en el interior de la abertura de ventilación ni en el interior de la ranura de la bandeja de discos de su reproductor de DVD para ver la fuente del haz de láser. Esto puede causar daño a su vista.

Disco

No use discos agrietados, deformes o reparados. Los discos se rompen fácilmente y podrían ocasionar serias lesiones personales, y mal funcionamiento del producto.

Clasificación del equipo

Este sistema está clasificado como equipo Clase II, lo cual significa que el reproductor de DVD tiene doble aislamiento.

Declaración de cumplimiento con FCC

Este equipo ha sido sometido a prueba y se ha determinado que satisface los límites establecidos para ser clasificado como dispositivo digital de la Clase B de acuerdo con la Parte 15 del reglamento FCC. Estos límites se han establecido para proporcionar una protección razonable contra interferencias perjudiciales en una instalación residencial. Este equipo genera, usa y puede emitir energía de radiofrecuencia. Si no se instala y usa de acuerdo con las instrucciones, este aparato

puede causar interferencias perjudiciales a las comunicaciones de radio. Sin embargo, no se garantiza que no ocurrirá interferencia en una instalación particular. Si el equipo causa interferencias perjudiciales en la recepción de la señal de radio o televisión, lo cual puede comprobarse encendiéndolo y apagándolo alternativamente, se recomienda al usuario corregir la interferencia mediante uno de los siguientes procedimientos:

- Cambie la orientación o la ubicación de la antena receptora.
- Aumente la distancia entre el equipo y el receptor.
- Conectar el equipo a un tomacorriente de un circuito distinto de aquel al que está conectado el receptor.
- Solicite consejo al distribuidor o a un técnico experto en radio/TV para obtener ayuda.

Los cables blindados deben usarse con esta unidad para asegurar que cumple con los límites de de la Clase FCC.

Certificación de seguridad

Este reproductor de DVD está hecho y probado para cumplir con los estándares de seguridad de los requisitos del FCC y con el rendimiento de seguridad del Departamento Estadounidense de Salud y Servicios Humanos, y también con los estándares de rendimiento 21 CFR, subcapítulo J de la radiación del FDA.



Radiación de láser invisible y peligrosa cuando está abierto y han fallado o se vencieron los seguros. Evite la exposición directa al rayo láser.

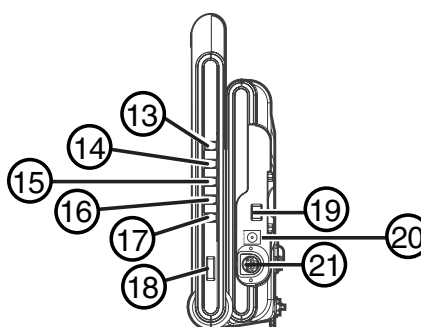
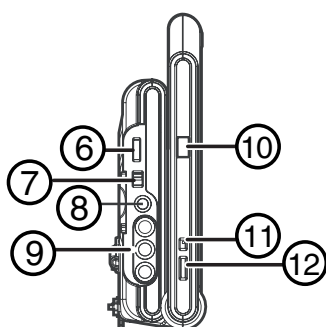
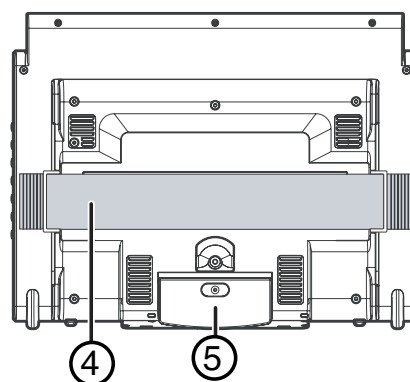
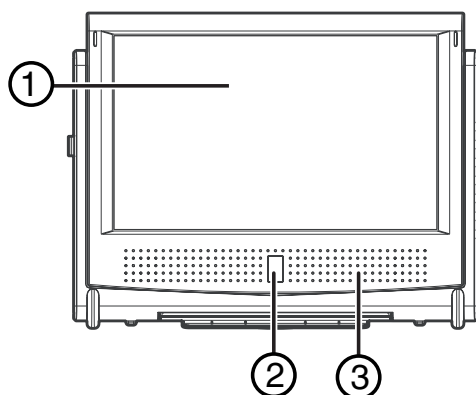
Seguridad del láser

Este reproductor de DVD emplea un sistema de haz de láser óptico en el mecanismo del CD, el cual está diseñado con medidas de seguridad integradas. No intente desensamblarlo. Acuda al personal de servicio calificado. La exposición a este haz de luz láser invisible puede ser dañina para el ojo humano.

Este es un producto láser de Clase 1. El uso de cualquier otro control, ajuste o procedimiento que no sean los especificados en este manual puede resultar en una exposición peligrosa al haz de luz láser.

Características

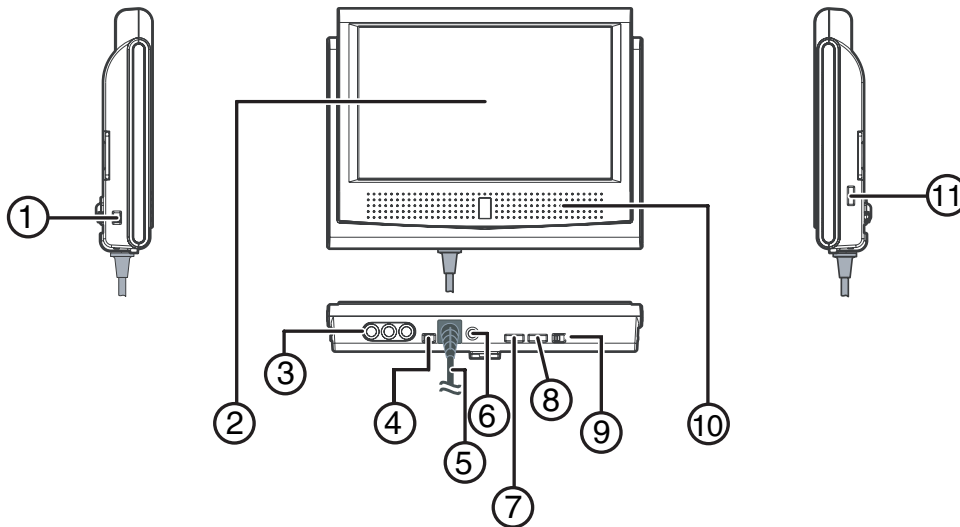
Controles en los paneles frontal, posterior, izquierdo y derecho



Número	Control del DVD	Función
1	Pantalla	Utilícese para ver el DVD.
2	Indicador de alimentación	Cuando se presiona el botón de encendido/apagado y se pone en la posición On (encendido), la luz se enciende.
	Sensor del control remoto	Recibe la señal del control remoto.
3	Altavoz	Emite el sonido del reproductor de DVD.
4	Correa	Sujeta el reproductor de DVD al asiento del automóvil.
5	Soporte	Sostiene el reproductor de DVD.
6	Control del volumen	Presione para ajustar el volumen.
7	Conmutador de DVD/ entrada de VA	Presione para seleccionar entre el reproductor de DVD o una fuente de video externa.
8	Conector de audifonos	Utilícese para enchufar los audifonos.
9	Conectores de entrada/salida de video y audio	Utilícese para enchufar fuentes de video y audio externas.
10	Botón de apertura	Presione para abrir la puerta de la bandeja de discos.
11	Conmutador de pantalla	Selecciona entre pantalla ancha y pantalla normal.
12	Control del brillo	Ajusta el contraste de la pantalla a un tono más claro o más oscuro.

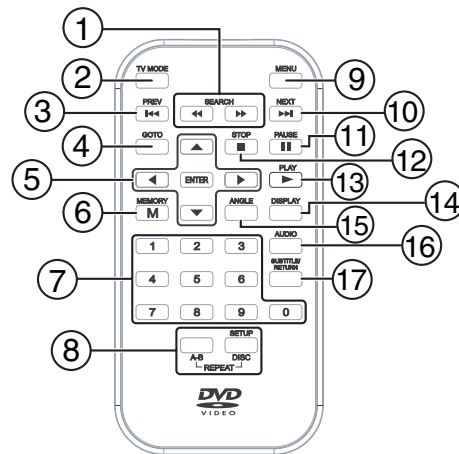
Número	Control del DVD	Función
13	Botón << Anterior	Presione para regresar a los capítulos o pistas anteriores. Mantenga presionado para un retroceso rápido. Hay 4 velocidades disponibles.
14	Botón >> Siguiente	Presione para avanzar a los capítulos o pistas siguientes. Mantenga presionado para un avance rápido. Hay 4 velocidades disponibles.
15	Botón Detener	Presione para detener la reproducción de un disco.
16	Botón Pausa	Presione para hacer una pausa en la reproducción del disco. Cada vez que se presiona este botón, la imagen avanza un cuadro. Presione Reproducir para reanudar la reproducción.
17	Botón Reproducir	Presione para comenzar a reproducir un disco o para reanudar la reproducción.
18	Control del color	Ajusta la intensidad del color.
19	Interruptor de encendido/apagado	Presione para encender o apagar el reproductor de DVD.
20	Conector de entrada de CC 9V/clavija automóvil - 12V	Utilícelo para enchufar el cable de alimentación de CC.
21	Conectar a puertos del monitor	Utilícelo para conectar un monitor al reproductor de DVD.

Monitor



Número	Control del monitor	Función
1	Interruptor de encendido/apagado del monitor	Presione para encender o apagar el monitor.
2	Pantalla	Utilícela para ver el DVD.
3	Conectores de entrada de video y audio	Utilícelos para enchufar fuentes de video y audio externas.
4	Conmutador AV 1 / AV 2	Utilícelo para cambiar entre modos de video y audio externos.
5	Cable DIN incorporado (entrada)	Para conexión a un puerto en el reproductor de DVD.
6	Conector de Audífonos	Utilícelo para enchufar los audífonos.
7	Control del brillo	Ajusta el contraste del monitor a un tono más claro o más oscuro.
8	Control del color	Ajusta la intensidad del color.
9	Conmutador de pantalla	Presione para cambiar entre pantalla normal y ancha.
10	Altavoz	Emite el sonido del reproductor de DVD.
11	Control del volumen	Ajusta el volumen.

Control remoto



Número	Control remoto	Función
1	Botones de búsqueda	Presione << para retroceso rápido. Presione >> para avance rápido.
2	Botón de modo de TV	En el modo Stop (Detener), seleccione una de las tres opciones siguientes: <ul style="list-style-type: none"> • Letter Box (Buzón) • Pan Scan (Encuadre y rastreo) • Wide Screen on TV (Pantalla ancha en TV)
3	Botón Anterior	Presione para regresar a los títulos, capítulos o pistas anteriores.
4	Botón IR A	Salte directamente a una ubicación concreta en un DVD.
5	Botones direccionales	Presione para resaltar una opción en una pantalla de menú y ajustar ciertos parámetros.
	Botón Entrar	Confirma las opciones seleccionadas en una pantalla de menú.

Número	Control remoto	Función
6	Botón Memoria	En el modo Stop (Detener), introduce el número de un capítulo o pista seleccionada.
7	Botones numéricos (0-9)	Presione al crear programas e introducir una contraseña de nivel paternal. Presione también para seleccionar directamente una pista del CD.
8	Botón Configuración	En el modo Stop (Detener), abre y cierra el menú SETUP (Configuración).
	Botones Repetir A-B/ Disco	<ul style="list-style-type: none"> • Repita de un punto a otro punto de un DVD o CD. • Repita un capítulo o título de un DVD. • Repita una sola pista o todo un CD.
9	Botón Menú	Abra y cierre el menú del DVD.
10	Botón Siguiente	Presione para avanzar por los títulos, capítulos o pistas.
11	Botón Pausa	Detenga la reproducción o la imagen.
12	Botón Detener	Detenga la reproducción de un disco.
13	Botón Reproducir	Presione para comenzar a reproducir un disco o para reanudar la reproducción.
14	Botón Visualización	Cambie la información de estado del disco que se muestra en la pantalla.
15	Botón Ángulo	Alterne entre múltiples ángulos de cámara si el DVD se ha grabado con múltiples ángulos de cámara.
16	Botón Audio	Seleccione una pista de sonido programada en un DVD o seleccione un modo de salida de audio en un CD de AUDIO.
17	Botón Subtítulos/Atrás	Seleccione uno de los idiomas de subtítulos programados en un DVD o regrese el modo de operación normal después de utilizar el menú SETUP (Configuración) de un DVD.

Preparación del reproductor de DVD

Instalación del control remoto

Instalación de la pila del control remoto

Advertencia



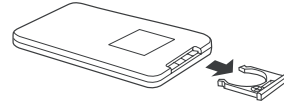
No tire la pila al fuego. Deseche las pilas usadas como si fuera desperdicios dañinos.

Cuidado

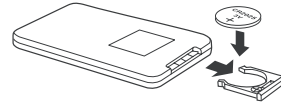
No deje caer ni desarme el control remoto. No moje el control remoto.

Para instalar la pila en el control remoto:

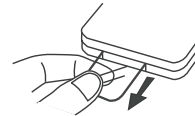
- 1 Retire el portapilas.



- 2 Inserte una pila CR2025 (3 Voltios) en el compartimiento de la pila. Asegúrese de que los símbolos +/- en la pila hagan juego con las marcas +/- en el portapilas.



- 3 Deslice el portapilas en el control remoto.
- 4 Extraiga la hoja de PVC antes de utilizar el control remoto.



- 5 Apunte el control remoto al sensor remoto del reproductor de DVD. La distancia efectiva para la operación del control remoto es de 16 pies (5 metros).

Nota:

Si el control remoto no se va a usar por un período de tiempo extendido, o si la pila está agotada, extraiga la pila para prevenir derrames.

Nota:

Cuando use el control remoto y necesite moverse más cerca al sistema de estéreo para que el control remoto funcione, reemplace la pila. El control remoto puede no funcionar correctamente si la luz solar directa o la luz de una lámpara fluorescente de alta frecuencia ingresa al sensor de luz del control remoto. En este caso, cambie la posición de instalación del sistema para evitar el problema.

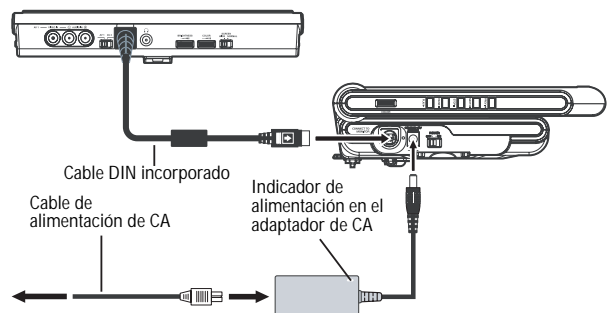
Conexión a una fuente de CA

El adaptador de CA funciona con alimentación de CA entre 100 y 240 voltios.

Nota:

Antes de utilizar por primera vez el reproductor de DVD en una área nueva, verifique que el voltaje de operación del reproductor de DVD sea idéntico al voltaje del suministro eléctrico local. Este reproductor de DVD debe utilizarse solamente con una fuente de alimentación de voltaje igual al impreso en el panel posterior. Desconéctelo del tomacorriente cuando no se vaya a usar por un largo período de tiempo.

Para conectar el adaptador de CA:



- 1 Conecte el cable DIN incorporado desde la base del monitor al puerto de la **unidad principal** en el reproductor de DVD.

- 2 Conecte el extremo con clavija del adaptador de CA al conector **DC In 9V/Car Plug - 12V** (Entrada CC 9V/clavija automóvil - 12V) en el reproductor de DVD.
- 3 Conecte el cable de alimentación de AC al adaptador de CA.
- 4 Conecte el cable de alimentación de CA a un tomacorriente de CA. Si el cable de alimentación está conectado al tomacorriente de CA, el indicador de alimentación permanecerá encendido aún cuando el reproductor de DVD esté apagado.

Conexión a una fuente de CC

El adaptador de alimentación para vehículos funciona en automóviles provistos de un sistema eléctrico de 12 voltios, con conexión a tierra negativa.

Advertencia

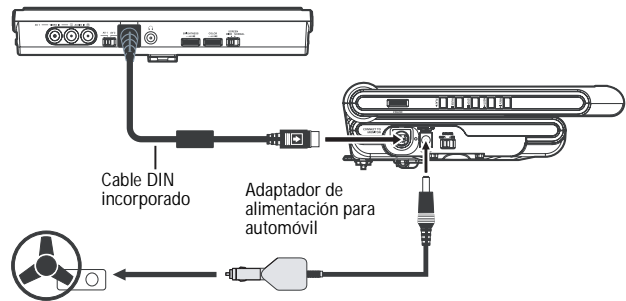


Desconecte el adaptador de alimentación para vehículos cuando no lo utilice. No utilice este sistema en vehículos con sistemas de 24 voltios.

Cuidado

- Utilice esta unidad únicamente con el adaptador de alimentación para vehículos incluido. El uso de otros adaptadores para vehículos podría producir daño a la unidad o al vehículo.
- El adaptador de alimentación de 12V para vehículos incluido está diseñado para utilizarse únicamente con esta unidad. No lo utilice con ningún otro equipo.
- Por el bien de la seguridad vial, los conductores no deberán utilizar la unidad ni ver videos mientras están conduciendo.
- Cuando el interior de la toma del encendedor de cigarrillos esté sucio con cenizas o polvo, la sección de alimentación podría calentarse debido a un contacto deficiente. Asegúrese de limpiar la toma del encendedor de cigarrillos antes de utilizarla.
- Después de utilizar el adaptador de alimentación para vehículos, desconéctelo de la unidad y de la toma del encendedor de cigarrillos.
- Si la unidad no está bien instalada en el vehículo, puede salir disparada en el caso de un accidente y ocasionar daños, lesiones o muerte.
- Antes de utilizar esta unidad en su vehículo, consulte las leyes locales de tráfico para ver las reglas que rigen el uso de dispositivos de video en vehículos.

Para conectar el cable de alimentación de CC:



- 1 Conecte el cable DIN incorporado desde la base del monitor al puerto de la **unidad principal** en el reproductor de DVD.
- 2 Conecte el extremo con clavija del adaptador de alimentación para vehículos al conector **DC In 9V/Car Plug -12V** (Entrada CC 9V/clavija automóvil - 12V) en el reproductor de DVD.
- 3 Conecte el extremo con clavija para encendedor del adaptador de alimentación para vehículo a la toma del encendedor de cigarrillos.

Instalación del reproductor de DVD/monitor en un vehículo

Utilice la correa de montaje suministrada para instalar el reproductor de DVD y el monitor en la parte posterior del asiento de un vehículo.

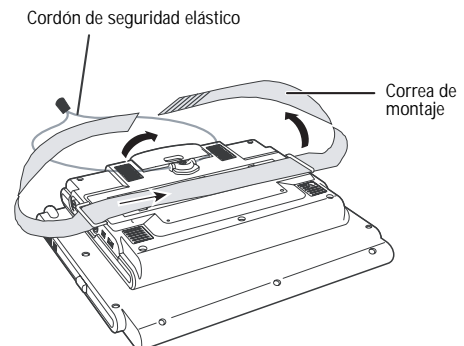
Advertencia



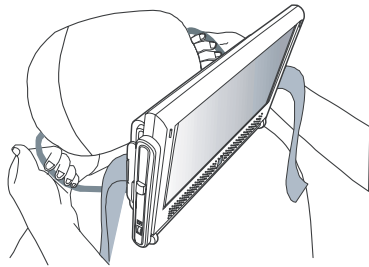
- Esta unidad no debe nunca ser utilizada por el conductor del vehículo ni se debe dejar suelta en el vehículo mientras se conduce.
- Si esta unidad se está utilizando en su vehículo, asegúrese de que esté bien sujeta o que se sostenga con cuidado y de que no obstruya ningún mecanismo de seguridad, como bolsas de aire (air bags) o cinturones de seguridad.
- Todos los pasajeros deberán llevar cinturones de seguridad al utilizar esta unidad en un vehículo en movimiento.
- En caso de duda, póngase en contacto con el fabricante de su vehículo para recibir consejo.

Para instalar la unidad/monitor:

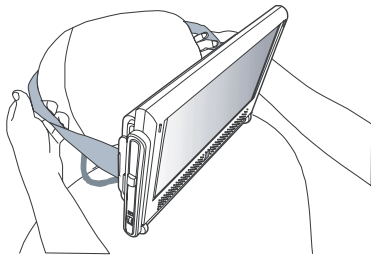
- 1 Suelte el cordón de seguridad elástico y la correa de montaje en la parte posterior de la unidad/monitor.



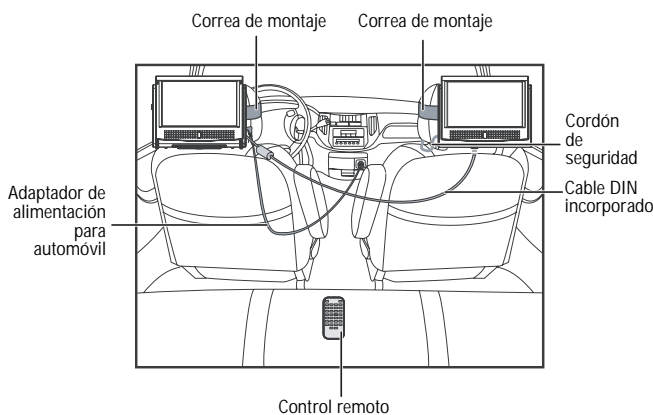
- 2 Pase el cordón de seguridad alrededor del reposacabezas.



- 3 Coloque y asegure bien la correa de montaje alrededor del reposacabezas.



- 4 Haga las conexiones como se muestra. Ajuste la pantalla y la correa según sea necesario para conseguir un ángulo de visualización óptimo.



- Conecte la clavija amarilla al conector de fuera.
- Conecte la clavija blanca al conector del centro.
- Conecte la clavija roja al conector más próximo al cable DIN incorporado.

- 3 Conecte las clavijas del otro extremo del cable de audio/video a los conectores en el reproductor de DVD o VCR:

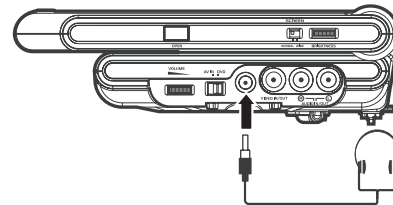
- Conecte la clavija roja al conector de la salida de audio derecha.
- Conecte la clavija blanca al conector de la salida de audio izquierda.
- Conecte la clavija amarilla al conector de salida de video.

Conexión de audífonos

Se pueden conectar audífonos al monitor o a la unidad principal del reproductor de DVD.

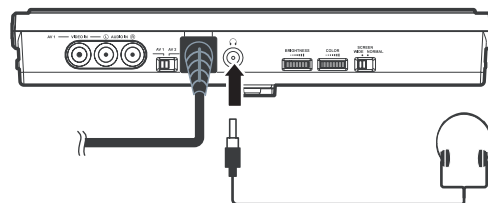
Para conectar los audífonos:

- 1 Baje el volumen del reproductor de DVD.
- 2 Enchufe los audífonos en el conector para **audífonos** en el lado de la unidad.



o

Baje el volumen del monitor y enchufe los audífonos en el conector para **audífonos** en la base del monitor.

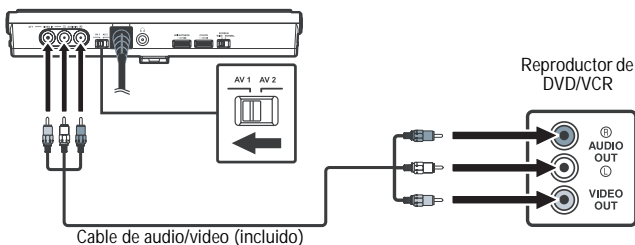


Nota:

Cuando los audífonos están conectados, los altavoces de la unidad principal o del monitor se desactivan automáticamente.

Conexión del monitor al reproductor de DVD o VCR

Para conectar el monitor al reproductor de DVD o al VCR:

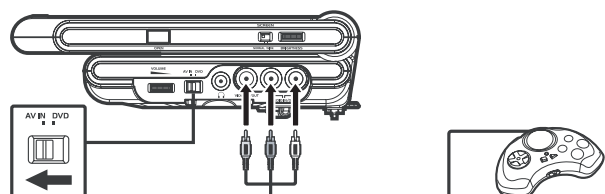


- 1 Lleve el conmutador **AV 1 / AV 2** en el lado izquierdo del reproductor de DVD a la posición **AV 1**.
- 2 Conecte las clavijas de un extremo del cable de audio/video (incluido) a los conectores **Video In y Audio In** (entrada de video y entrada de audio) en el monitor:

Conexión a un sistema de juegos

Se puede conectar un sistema de juegos a la unidad principal del reproductor de DVD o al monitor.

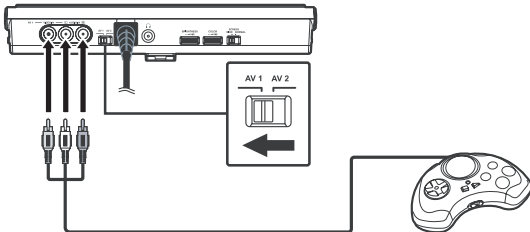
Para conectar un sistema de juegos al reproductor de DVD:



- 1 Lleve el conmutador **AV In/DVD** (Entrada de audio y video/DVD) a la posición **AV In**.

- Conecte las clavijas del cable del sistema de juegos a los conectores de **entrada/salida de video y audio** en el lado izquierdo del reproductor de DVD:
 - Conecte la clavija amarilla al conector más próximo al conector para **audífonos**.
 - Conecte la clavija roja al conector central.
 - Conecte la clavija blanca al conector de fuera.

Para conectar un sistema de juegos al monitor:

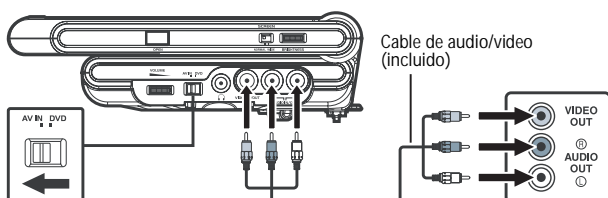


- Lleve el conmutador **AV 1 / AV 2** (Audio/Video 1 / 2) a la posición **AV 1**.
- Conecte las clavijas del sistema de juegos a los conectores de **entrada de video y audio** en el monitor:
 - Conecte la clavija amarilla al conector de fuera.
 - Conecte la clavija blanca al conector central.
 - Conecte la clavija roja al conector más cercano al cable DIN incorporado.

Conexión de otro equipo de video

Se puede conectar otro equipo de video a la unidad principal del reproductor de DVD.

Para conectar otro equipo de video al reproductor de DVD:



- Lleve el conmutador **AV In/DVD** (entrada de audio y video/DVD) en el lado izquierdo del reproductor de DVD a la posición **AV In**.
- Conecte las clavijas de un extremo del cable de audio/video (incluido) a los conectores de **entrada y salida de video y audio** en el lado izquierdo del reproductor de DVD:
 - Conecte la clavija amarilla al conector más próximo al conector para **audífonos**.
 - Conecte la clavija roja al conector central.
 - Conecte la clavija blanca al conector de fuera.
- Conecte las clavijas del otro extremo del cable de audio/video a los conectores en el equipo de video:
 - Conecte la clavija amarilla al conector de salida de video.
 - Conecte la clavija roja al conector de la salida de audio derecha.

- Conecte la clavija blanca al conector de la salida de audio izquierda.

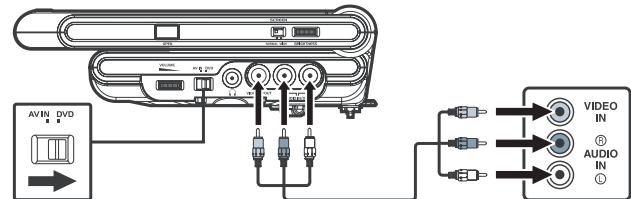
Nota:

Si se utiliza un VCR mono, el nivel del sonido procedente de los altavoces será bajo.

Conexión de un televisor al reproductor de DVD

Si su televisor tiene entradas de audio/video, puede conectar el TV a la unidad principal del reproductor de DVD mediante el cable de audio/video.

Para conectar un televisor al reproductor de DVD:



- Lleve el conmutador **AV In/DVD** (Entrada de audio y video/DVD) a la posición **DVD**.
- Conecte las clavijas de un extremo del cable de audio/video (incluido) a los conectores de **entrada y salida de video y audio** en el lado izquierdo del reproductor de DVD:
 - Conecte la clavija amarilla al conector más próximo al conector para **audífonos**.
 - Conecte la clavija roja al conector central.
 - Conecte la clavija blanca al conector de fuera.
- Conecte las clavijas del otro extremo del cable de audio/video a los conectores en el TV:
 - Conecte la clavija amarilla al conector de entrada de video.
 - Conecte la clavija roja al conector de la entrada de audio derecha.
 - Conecte la clavija blanca al conector de la entrada de audio izquierda.
- Para ver un DVD en el TV:
 - Encienda el reproductor de DVD y ponga el conmutador **AV In/DVD** en la posición **DVD**.
 - Encienda el TV y siga las instrucciones suministradas por el fabricante del televisor para reproducir el DVD.

Nota:

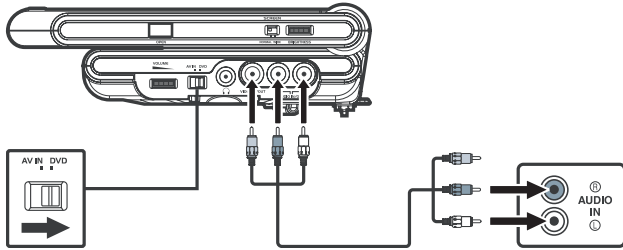
Si su TV no tiene entradas de audio/video, tendrá que comprar un modulador de RF (vendido por separado) y seguir las instrucciones incluidas con él para conectar la unidad a su TV.

Conexión de un receptor estéreo o amplificador al reproductor de DVD

Se puede conectar un receptor estéreo o un amplificador a la unidad principal del reproductor de DVD mediante el cable de audio/video.

Esta unidad puede reproducir Dolby Digital, pero sólo en dos canales.

Para conectar un receptor estéreo o amplificador al reproductor de DVD:

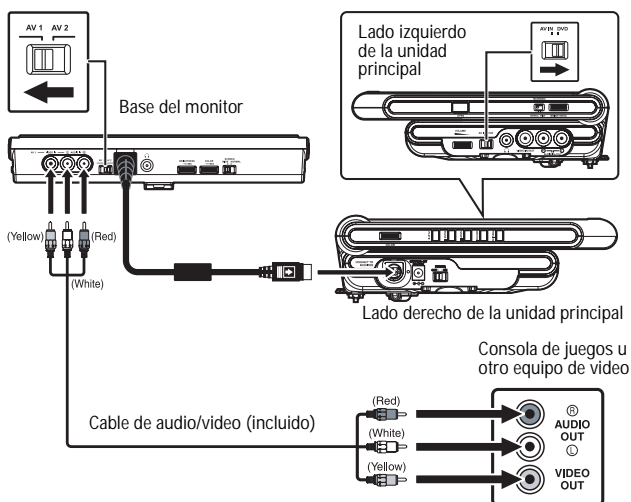


- 1 Lleve el conmutador **AV In/DVD** (Entrada de audio y video/DVD) a la posición **DVD**.
- 2 Conecte las clavijas de un extremo del cable de audio/video (incluido) a los conectores de **entrada y salida de video y audio** en el lado izquierdo del reproductor de DVD:
 - Conecte la clavija amarilla al conector más próximo al conector para **audífonos**.
 - Conecte la clavija roja al conector central.
 - Conecte la clavija blanca al conector de fuera.
- 3 Conecte las clavijas del otro extremo del cable de audio/video a los conectores en el receptor estéreo o en el amplificador:
 - Conecte la clavija roja al conector de la entrada de audio derecha.
 - Conecte la clavija blanca al conector de la entrada de audio izquierda.
 - La clavija amarilla no necesita conectarse.

Conexión del monitor y del reproductor de DVD a otro equipo

Se puede reproducir un DVD en la unidad principal y usar un sistema de juegos u otro equipo de video con el monitor al mismo tiempo.

Para conectar el monitor y del reproductor de DVD a otro equipo:



- 1 Conecte el cable DIN incorporado desde la base del monitor al puerto de la **unidad principal** en el lado derecho de la unidad principal.

- 2 Conecte las clavijas de un extremo del cable de audio/video (incluido) a los conectores **Video In y Audio In** (entrada de video y entrada de audio) en el monitor:
 - Conecte la clavija amarilla al conector de fuera.
 - Conecte la clavija blanca al conector central.
 - Conecte la clavija roja al conector más cercano al cable DIN incorporado.
- 3 Conecte las clavijas del otro extremo del cable de audio/video a los conectores en la consola de juegos o en el otro equipo de video:
 - Conecte la clavija roja al conector de la salida de audio derecha.
 - Conecte la clavija blanca al conector de la salida de audio izquierda.
 - Conecte la clavija amarilla al conector de salida de video.
- 4 Configure el conmutador **AV In/DVD** (Entrada de audio y video/DVD) en el lado izquierdo de la unidad principal y el conmutador **AV 1 / AV 2** (Audio/Video 1 / 2) en la base del monitor tal y como se muestra en la siguiente tabla:

Unidad principal		Monitor	
Conmutador AV In/DVD	Indicador	Conmutador AV 1 / AV 2	Indicador
Modo AV In	AV In	Modo AV 1	AV
Modo DVD	DVD	Modo AV 1	AV
Modo AV In	AV In	Modo AV 2	AV In
Modo DVD	DVD	Modo AV 2	DVD

Uso del reproductor de DVD

Discos CD y DVD

Este reproductor de DVD puede reproducir discos CD o DVD de 3" (8 cm) y 5" (12 cm):



Nota

Siempre guarde los discos en sus estuches. No exponga los discos a la luz solar directa, humedad alta, temperatura alta o polvo. Cuando extraiga el disco de su estuche

- No toque la superficie grabada en el lado opuesto al de la etiqueta del disco.
- No pegue papel en la superficie de la etiqueta.
- No doble el disco.

Al reproducirse un disco CD-G (Gráficos) o un CD EXTRA, la parte de audio se reproducirá pero las imágenes gráficas no se mostrarán.

Notas sobre los derechos de autor

- Está prohibido por ley copiar, retransmitir, presentar, emitir en cable, reproducir en público o alquilar material protegido por derechos de autor sin permiso.

- Este aparato está protegido por las patentes de E.E.U.U. número 4,631,603; 4,577,216; 4,819,098 y 4,907,093 bajo licencia que se aplica únicamente para usos limitados.
- Los discos de video digital están protegidos contra copia de manera que cualquier grabación que se haga de estos discos estará distorsionada. Este producto incorpora tecnología de protección de derechos de autor que está protegida por demandas de método de ciertas patentes de los Estados Unidos y otros derechos de propiedad intelectual poseídos por Macrovision Corporation así como por derechos de otros propietarios.
- El uso de esta tecnología con protección de derechos de reproducción debe ser autorizada por Macrovision Corporation, y está destinada únicamente para visualización en casa y otros usos limitados de visualización a menos que sea autorizada por Macrovision Corporation. Se prohíbe la ingeniería inversa y el desensamblaje.

Información de Gestión de Regiones

Esta unidad está diseñada y fabricada para responder a la Información de Gestión de Regiones que está codificada en los discos DVD. Si el número regional impreso en el disco DVD no corresponde al número regional de esta unidad, la unidad no podrá reproducir dicho disco. El número regional de esta unidad es 1. Es posible que no pueda reproducir algunos DVD en esta unidad si se compraron fuera de su zona geográfica o si se hicieron para fines comerciales.

Función u operación del disco

La aparición del siguiente símbolo en la pantalla indica que la función u operación intentada no está disponible en ese momento:



Esto sucede porque cada fabricante de discos DVD determina las funciones específicas de los DVD.

Puede que ciertas funciones no estén disponible en algunos discos. Asegúrese de leer la documentación proporcionada con el DVD.

Iconos utilizados en los discos DVD

Algunas veces los DVD llevan impresos iconos para indicar una función particular. Algunos ejemplos de este tipo de iconos son:

	Opciones de idiomas para audio 1 para inglés 2 para francés
	Opciones de idiomas para subtítulos 1 para inglés 2 para francés
	Relación de aspecto de la pantalla
	Múltiples ángulos de cámara
	Indicador de código de región

Títulos, capítulos y pistas

Los DVD están divididos en **títulos** y **capítulos**. Si el disco tiene más de una película, cada película sería un título separado. Los capítulos son secciones de los títulos.

Los CD de audio están divididos en **pistas**. Una pista es normalmente una canción en un CD de audio.

Los números identifican cada título, capítulo y pista en un disco. La mayoría de los discos tienen estos números grabados en ellos, pero algunos no.

Sistema de sonido

Dolby Digital es un sistema de sonido desarrollado por Dolby Laboratories, Inc. que genera una salida de audio de tipo cine cuando la unidad está conectada a un amplificador o procesador de canales Dolby Digital 5.1. Esta unidad reconoce automáticamente los DVD que se han grabado con Dolby Digital. No todas las fuentes Dolby Digital están grabadas con 6 canales. Algunas fuentes marcadas Dolby Digital pueden estar grabadas en Dolby Surround, un sistema de 2 canales. Busque este logotipo en su unidad:



El sistema de sonido está fabricado bajo licencia de Dolby Laboratories. Dolby y el símbolo de la doble D son marcas comerciales de Dolby Laboratories.

Encendido y apagado del reproductor de DVD

Para encender el reproductor de DVD:

- 1 Encienda el **interruptor de encendido/apagado** de la unidad principal y el **interruptor del monitor**.
- 2 Ponga el conmutador **AV In/DVD** (Entrada de audio y video/DVD) de la unidad principal en la posición **DVD**.
- 3 Ponga el conmutador **AV 1 / AV 2** (Audio/Video 1 / 2) del monitor en la posición **AV 2**. El logotipo DVD aparece en ambas pantallas para indicar la puesta en marcha del sistema.

Nota:

Desconecte el cable de la fuente de alimentación de CA o el cable de alimentación de CC si la unidad no se va a usar por un período de tiempo extendido.

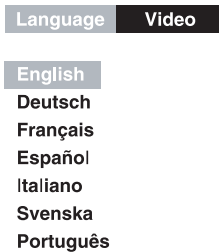
Personalización de los ajustes de función

Configuración del idioma

Para cambiar el idioma del sistema:

- 1 Presione el botón **Setup** (Configurar) en el modo Stop (Detener) para seleccionar **Language/Video** (Idioma/Video).

- En la pantalla **Language/Video**, presione el botón direccional izquierdo o derecho para seleccionar **Language** (Idioma).



- Utilice el botón direccional arriba o abajo para seleccionar el idioma y luego presione el botón **Enter** (Entrar). (La pantalla cambiará al idioma seleccionado.)
- Para salir del menú de configuración y regresar a la pantalla normal, presione **Return** (Atrás).

Configuración de video

Hay tres opciones de video que se pueden configurar:

- TV Shape (Forma de TV)
- Brightness (Brillo)
- Edges (Bordes)

TV Shape tiene también tres posibles configuraciones de pantalla para ver discos DVD: pan scan, letter box o wide screen.

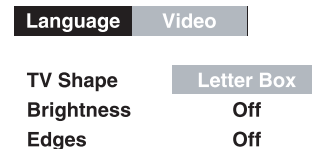
<p>Pan Scan (Encuadre y rastreo)</p> <ul style="list-style-type: none"> Cuando se reproduce un video grabado para pantalla ancha, este modo recorta los lados derecho e izquierdo de la imagen para que pueda verse en una pantalla convencional. Algunos DVD de pantalla ancha que no permiten el modo de reproducción Pan Scan se reproducen automáticamente en modo Letterbox (con bandas negras en los bordes superior e inferior). 	<p>Se cortan cuando se reproduce una imagen de video de pantalla ancha.</p> 
<p>Letter Box (Buzón)</p> <p>Cuando se reproduce un video de pantalla ancha en este modo en una pantalla convencional, aparecen bandas negras en los bordes superior e inferior de la pantalla.</p>	
<p>Wide Screen (Pantalla ancha)</p> <p>Este es el modo correcto para reproducir videos de pantalla ancha en una pantalla ancha.</p>	

Nota:
El tamaño de la imagen visualizable está prefijado en el disco DVD. Por consiguiente, la imagen reproducida de algunos discos DVD puede que no se conforme al tamaño de imagen que usted ha seleccionado.

Nota:
Cuando se reproducen discos DVD grabados con la relación de aspecto 4:3, la imagen reproducida aparecerá siempre en la relación de aspecto 4:3 sea cual sea el ajuste de forma de TV.

Para cambiar los ajustes de video:

- Presione el botón **Setup** (Configurar) en el modo Stop (Detener) para seleccionar **Language/Video** (Idioma/Video).
- En la pantalla **Language/Video**:
 - Presione el botón direccional izquierdo o derecho para seleccionar **Video**.
 - Presione el botón **Enter** (Entrar) para acceder a las opciones de video.
 - Presione el botón direccional arriba o abajo para seleccionar la opción (**TV Shape, Brightness, o Edges**), y luego presione el botón direccional derecho.



- Presione el botón direccional arriba o abajo para seleccionar el ajuste de video deseado y luego presione el botón **Enter** (Entrar). (La pantalla cambiará al ajuste seleccionado.)
- Repita los pasos 2 y 3 para ajustar otras opciones.
- Para salir del menú de configuración y regresar a la pantalla normal, presione **Return** (Atrás).

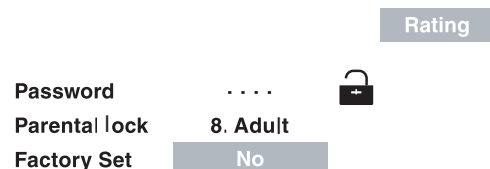
Clasificación

Los DVD están provistos de una función de contraseña, y los DVD están clasificados de acuerdo con su contenido.

Los padres pueden controlar los privilegios de visualización mediante el bloqueo parental que está provisto de los niveles adecuados para seleccionar el tipo visualización deseada. El control de visualización puede variar de un disco a otro. Por ejemplo, si el disco lo permite, podría bloquear (omitir) escenas violentas no aptas para niños o podría bloquear la reproducción de un disco en su totalidad.

Para establecer una clasificación:

- Presione el botón **Setup** (Configurar) en el modo Stop (Detener).
- Presione el botón direccional izquierdo o derecho para seleccionar **Rating** (Clasificación) y luego presione el botón **Enter** (Entrar).





- Presione el botón direccional arriba o abajo para seleccionar **Parental Lock** (Bloqueo parental) y luego presione el botón **Enter** (Entrar) repetidamente hasta que vea el ajuste de nivel de bloqueo/clasificación deseado.

Los niveles de bloqueo paternal equivalen a las clasificaciones siguientes:

1: APTO PARA MENORES	5: PG-R
2: G	6: R
3: PG	7: NC-17
4: PG-13	8: ADULTOS

Nota:
No se pueden reproducir discos DVD de clasificación superior al nivel seleccionado a menos que se cancele la función de bloqueo paternal.

Un icono en la pantalla indica si el bloqueo está activo:

	Indica que el bloqueo paternal no está activo
	Indica que el bloqueo paternal está activo

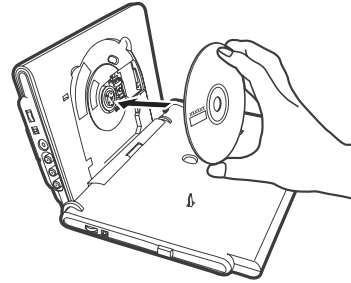
- Presione el botón direccional izquierdo o derecho para seleccionar **Password** (Contraseña). Introduzca el código de seguridad de 4 dígitos y luego presione el botón **Enter** (Entrar).
- Si olvida la contraseña, puede borrar la contraseña actual presionando el botón **8** en el control remoto cuatro veces y luego presionando el botón **Enter** para confirmar el ajuste (Contraseña: 8888). Reprograme su contraseña según se indica en el paso 4.
- Presione el botón direccional arriba o abajo para seleccionar **Factory Set** (Ajuste de fábrica) a fin de recuperar los ajustes de fábrica. Presione el botón **Enter** para alternar entre **Sí** y **No**. Lleva de 3 a 5 segundos restablecer la unidad a la configuración de fábrica.
- Para salir del menú de configuración y regresar a la pantalla normal, presione **Return** (Atrás).

Carga de un DVD o CD

- Mantenga presionado el botón de **apertura** para abrir la puerta del disco.



- Sujete el disco por los bordes y colóquelo en el soporte central con el lado impreso hacia usted; presione levemente hasta que escuche un chasquido.



- Cierre la puerta del disco. La unidad tarda un poco en cargar el disco. Una vez cargado, la unidad empezará a reproducir automáticamente la mayoría de los DVD.
- Si el DVD no comienza a reproducirse automáticamente, presione el botón **Play** (Reproducir).

Uso del reproductor de DVD y el monitor con otro equipo

Para utilizar un sistema de juegos o un equipo de video externo con el reproductor de DVD:

- Encienda la unidad y deslice el conmutador **AV In/DVD** (Entrada de audio y video/DVD) a la posición **AV In**.
- Encienda el equipo de video y siga las instrucciones suministradas con él para reproducir el disco.

Nota:
Si tiene un VCR mono, el nivel de volumen de los altavoces será bajo.

Para ver un DVD en su TV con el reproductor de DVD:

- Encienda la unidad y deslice el conmutador **AV In/DVD** a la posición **DVD**.
- Encienda el TV y siga las instrucciones suministradas con él para reproducir el DVD.

Para utilizar otro equipo de audio con el reproductor de DVD:

- Encienda la unidad y deslice el conmutador **AV In/DVD** a la posición **DVD**.
- Encienda el equipo de audio y siga las instrucciones incluidas con él para seleccionar la función de entrada de audio.

- Nota:**
- Puede que experimente interferencia si se selecciona la función de sintonizador de radio mientras el TV está funcionando.
 - Asegúrese de utilizar el cable de audio/video correcto. Si las clavijas se conectan incorrectamente, la señal podría ser débil.
 - Si tiene un VCR estéreo, asegúrese de que esté en modo estéreo.
 - Como medida de protección de los derechos de copyright, las películas en DVD no pueden copiarse. Si copia una película en DVD a una videocinta, la copia resultante no se verá bien y la calidad de sonido será mala. La causa de esto no es un sistema de DVD defectuoso.

Para utilizar un reproductor de DVD o VCR externo con el monitor:

- 1 Encienda el monitor y deslice el conmutador **AV 1 / AV 2** a la posición **AV 1**.
- 2 Encienda el reproductor de DVD o el VCR y siga las instrucciones suministradas con él para reproducir el disco.

Nota:

Si tiene un VCR monofónico, el nivel de volumen de los altavoces será bajo.

Para usar un sistema de videojuegos con el monitor:

- 1 Encienda el monitor y deslice el conmutador **AV 1 / AV 2** a la posición **AV 1**.
- 2 Encienda el sistema de videojuegos y siga las instrucciones suministradas con él para jugar el juego.

Reproducción de discos

Después de encender la unidad y cargar un DVD o un CD, utilice las funciones siguientes para operar el reproductor de DVD.

Hacer una pausa en la reproducción (modo inactivo)

Para hacer una pausa en la reproducción:

- 1 Presione el botón **Pause** (Pausa) para hacer una pausa en la reproducción.
- 2 Para reanudar la reproducción normal, presione **Play** (Reproducir). Cada vez que se presiona el botón **Pause**, la imagen avanza un cuadro.

Detener la reproducción

Para detener la reproducción:

- 1 Presione el botón **Stop** (Detener) en el lugar en el que desea interrumpir la reproducción. Para reanudar la reproducción en la posición en la que se detuvo el disco, presione el botón **Play**.
- 2 Presione **Stop** dos veces para borrar el contenido de la memoria de la unidad principal. Presione **Play** de nuevo para que el disco retorne al principio.

Saltar de una pista a otra

Para saltar a una pista diferente:

- 1 Presione el botón **Prev** (Anterior) repetidamente para saltar al principio de la pista actual o anterior.
- 2 Presione el botón **Next** (Siguiente) para saltar a la siguiente pista.
- 3 En el caso de discos CD de audio, use los botones numéricos (sólo los del control remoto) para saltar directamente a un número de pista.

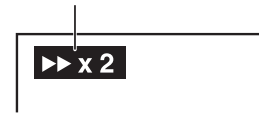
Escaneo con avance rápido/retroceso rápido

Para escanear discos DVD:

- 1 Presione los botones de búsqueda **Search >>** o **<< Search** durante la reproducción del disco. El disco comienza un escaneo rápido al doble de velocidad (x2).

- 2 Hay cuatro velocidades disponibles: x2, x4, x8 y x20. Mantenga presionado el botón **Search >>** o **<< Search** para cambiar la velocidad de escaneo rápido.

La velocidad de escaneo rápido



- 3 Presione el botón **Play** (Reproducir) cuando alcance el punto deseado para reanudar la reproducción a la velocidad normal.

Nota:

También puede presionar y mantener presionado el botón **Prev** (Anterior) o **Next** (Siguiente) repetidamente para seleccionar diferentes velocidades de escaneo rápido.

Saltar con avance o retroceso

Para saltar hacia delante o hacia atrás:

- 1 Mientras se reproduce un disco, presione el botón **Next** (Siguiente) para pasar al comienzo del siguiente capítulo o pista.
- 2 Presione el botón **Prev** (Anterior) para pasar al capítulo o pista anterior. El capítulo o pista seleccionado empezará a reproducirse automáticamente.

Selección de audio

En algunos discos, el sonido está grabado en dos o más formatos.

Para seleccionar el tipo de reproducción:

- 1 Mientras se está reproduciendo un disco, presione el botón **Audio** para mostrar el número de formato de audio.



- 2 Presione el botón **Audio** repetidamente para seleccionar el formato de audio deseado.

Nota:

Si sólo se ha grabado un formato de audio, el número no cambia. Al cabo de unos dos segundos, la reproducción continúa en el nuevo formato de audio.

Selección de subtítulos

Para seleccionar un subtítulo:

- 1 Mientras se está reproduciendo un disco, presione el botón **Subtitle/Return** (Subtítulo/Atrás) para mostrar el idioma actualmente seleccionado.



- 2 Presione el botón **Subtitle/Return** repetidamente para seleccionar el idioma en que desea ver los subtítulos.

Nota:

- Si sólo se ha grabado un idioma, el idioma no cambia. Al cabo de unos dos segundos, la reproducción continúa en el nuevo subtítulo seleccionado.
- El número de idiomas grabados difiere según el disco.
- Si no se presiona ningún botón en un lapso de unos segundos, la reproducción continúa sin cambiar el subtítulo actual.

- Esta función sólo puede usarse con discos en los que se han grabado subtítulos en múltiples idiomas.
- En algunos DVD, los subtítulos se activan desde el menú principal del DVD. Presione el botón **Menu** para activar el menú principal.

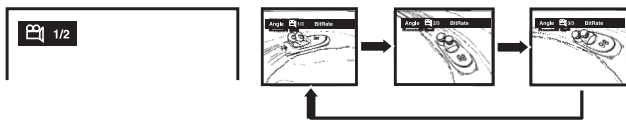
Selección del ángulo

Algunos discos DVD contienen escenas que se filmaron desde diferentes ángulos. En el caso de estos discos, la misma escena puede verse desde cada uno de los diferentes ángulos.

Para seleccionar un ángulo:

- 1 Mientras se está reproduciendo un DVD con diferentes ángulos grabados, presione el botón **Angle** (Ángulo) para ver el número del ángulo actual disponible.

Secuencia de tomas desde diferentes ángulos (ejemplo)



- 2 Presione el botón **Angle** (Ángulo) repetidamente para cambiar la escena al siguiente ángulo de los grabados. Al cabo de unos dos segundos, la reproducción continúa desde el nuevo ángulo seleccionado. Si no se presiona ningún botón en 10 segundos, la reproducción continúa sin cambiar el ángulo actual.

Nota:

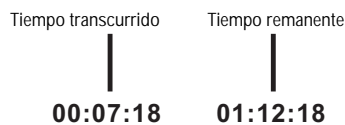
Esta función sólo puede usarse con discos en los que se han grabado escenas filmadas desde múltiples ángulos. Si sólo se ha grabado un ángulo, aparece un icono indicando un solo ángulo.

Características especiales

Función de visualización

Mediante la función de **visualización**, puede comprobar los ajustes actuales de ángulo, audio y subtítulo.

- Mientras se está reproduciendo el disco, presione el botón **Display** (Visualización) para mostrar la siguiente pantalla:



- El **tiempo transcurrido** es la cantidad de tiempo que ha pasado desde el comienzo del capítulo que se está reproduciendo en ese momento.
- El **tiempo restante** es la cantidad de tiempo que todavía queda del título que se está reproduciendo en ese momento.

Función GOTO (Ir a)

Esta función le permite ir directamente a cualquier parte de un disco mientras éste se está reproduciendo.

Localización de un título específico

Si un DVD contiene números de títulos, puede localizar un título específico seleccionando directamente su número mediante el control remoto.

Para localizar un título específico:

- 1 Presione el botón **GOTO** (Ir a) y luego presione el botón direccional izquierdo o derecho para resaltar el campo del título.
- 2 Presione los botones numéricos correspondientes para el título que desea y luego presione el botón **ENTER** (Entrar) para confirmar. La unidad comenzará la reproducción al cabo de unos 3 segundos.

Title/Chapter --- / ---

Localización de un capítulo o pista específica

Si un DVD contiene números de capítulos, puede localizar un capítulo específico o un número de pista de CD seleccionando directamente su número mediante el control remoto.

Para localizar un capítulo o pista específica:

- 1 Presione el botón **GOTO** (Ir a) y luego presione el botón direccional izquierdo o derecho para resaltar el campo del capítulo o pista.
- 2 Presione los botones numéricos correspondientes para la selección que desea y luego presione el botón **ENTER** (Entrar) para confirmar. La unidad comenzará la reproducción al cabo de unos 3 segundos.

DVD Title/Chapter --- / ---

CD Track ---

Localización de un tiempo específico

Puede ir a cualquier ubicación específica introduciendo su tiempo correspondiente (horas, minutos, segundos).

Para localizar un tiempo específico:

- 1 Presione el botón **GOTO** (Ir a) para seleccionar el tiempo.
- 2 Presione el botón direccional izquierdo o derecho para resaltar un campo de tiempo y luego presione los botones numéricos correspondientes para el tiempo que desea.
- 3 Presione el botón **Enter** (Entrar) para confirmar su selección. La unidad muestra la selección y comienza la reproducción al cabo de unos 3 segundos.

Time -- : -- : --

Nota:

Es posible que algunos discos no respondan a este proceso. Algunas escenas quizás no pueden ubicarse de la manera precisa que usted especifique.

Este método de acceder a ubicaciones específicas está disponible sólo dentro del título actual del disco DVD.

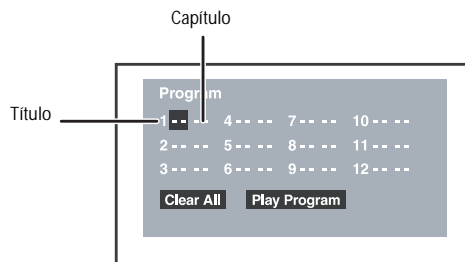
Programación de una reproducción en la memoria

Los dos tipos de reproducción programada disponibles en este reproductor de DVD son reproducción programada de títulos/capítulos y reproducción programada de pistas.

Reproducción programada de títulos/capítulos del DVD

Para programar la reproducción del DVD:

- 1 Presione el botón **Memory** (Memoria) mientras el DVD está detenido.
- 2 Utilice el control remoto para introducir los números de los títulos en el primer campo vacío en la pantalla **Program** (Programa).

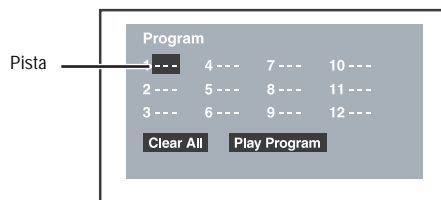


- 3 Presione el botón direccional izquierdo o derecho para resaltar el campo para el capítulo y luego introduzca el número o números de los capítulos.
- 4 Utilice un botón direccional para pasar a otro campo.
- 5 Repita los pasos 2 a 4 hasta que todos los títulos y capítulos estén programados.
- 6 Presione el botón **Play** (Reproducir) o resalte **Play Program** (Reproducir programa) y presione **Enter** (Entrar) para comenzar la reproducción programada.
- 7 Utilice un botón direccional para pasar a **Clear All** (Borrar todo) y luego presione **Enter** para borrar todos los ajustes.

Reproducción programada de pistas de un CD

Para programar la reproducción del CD:

- 1 Presione el botón **Memory** (Memoria) mientras el CD está detenido.
- 2 Utilice el control remoto para introducir los números de las pistas en el primer campo vacío en la pantalla **Program** (Programa).



- 3 Utilice un botón direccional para pasar al campo siguiente.
- 4 Repita los pasos 2 y 3 hasta que todas las pistas estén programadas.

- 5 Presione el botón **Play** (Reproducir) o resalte **Play Program** (Reproducir programa) y presione **Enter** (Entrar) para comenzar la reproducción programada.
- 6 Utilice un botón direccional para pasar a **Clear All** (Borrar todo) y luego presione **Enter** para borrar todos los ajustes.

Repetir la reproducción

Se puede reproducir un título, capítulo o sección determinada en un DVD repetidamente. (Repetir título, repetir capítulo y repetir A-B.)

También puede reproducir una sola pista del CD o un CD de audio entero repetidamente.

Repetición de un capítulo o título

Para repetir un capítulo o título de un DVD:

- 1 Para repetir un capítulo, mientras se está reproduciendo el disco, presione el botón **Repeat Disc** (Repetir disco) hasta que el indicador **Repeat Chapter** aparezca en la pantalla. El capítulo actual se reproduce repetidamente.
- 2 Para repetir un título, mientras se está reproduciendo el disco, presione el botón **Repeat Disc** (Repetir disco) hasta que el indicador **Repeat Title** aparezca en la pantalla. El título actual se reproduce repetidamente.
- 3 Para reanudar la reproducción normal, mientras se está reproduciendo el disco, presione el botón **Repeat Disc** hasta que el indicador **Off** aparezca en la pantalla. La reproducción normal se reanuda.

Repetición de una sección específica

Para repetir una sección específica de un DVD o CD:

- 1 Mientras se está reproduciendo el disco, presione el botón **REPEAT A-B** (Repetir A-B) al comienzo de la sección que desea reproducir repetidamente. El indicador **Rep A-** aparece en la pantalla.
- 2 Presione el botón **Repeat A-B** de nuevo al final de la sección. El indicador **REP A-B** aparece en la pantalla y la unidad empieza inmediatamente a reproducir la sección.
- 3 Para reanudar la reproducción normal, mientras se está reproduciendo el disco, presione el botón **Repeat A-B** hasta que el indicador **Off** aparezca en la pantalla. La reproducción normal se reanuda.

Nota:

La función Repetir A-B solo puede usarse dentro del mismo título. Si el inicio y fin de la sección que se va a repetir están en títulos diferentes, Repetir A-B se cancela.

La función Repetir A-B no funciona en escenas donde se han grabado ángulos de cámara diferentes.

Repetición de una pista o de un CD entero

Para repetir una pista o un CD entero:

- 1 Para repetir una pista, presione el botón **Repeat Disc** (Repetir disco) mientras el disco se está reproduciendo hasta que el indicador **Repeat Single** aparezca en la pantalla. La pista actual se reproduce repetidamente.

- Para repetir un CD entero, presione el botón **Repeat Disc** (Repetir disco) mientras el disco se está reproduciendo hasta que el indicador **Repeat All** aparezca en la pantalla. El disco entero se reproduce repetidamente.
- Para reanudar la reproducción normal, presione el botón **Repeat Disc** mientras el disco se está reproduciendo el disco hasta que el indicador **Off** aparezca en la pantalla. La reproducción normal se reanuda.

Reproducción de discos MP3 y de archivos de fotos

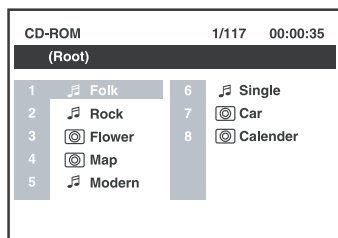
Esta unidad puede reproducir MP3 y archivos de fotos grabados en discos CD-R y CD-RW.

Reproducción de un disco MP3 o de un disco de archivos de fotos

Para reproducir un disco MP3 o de archivos de fotos:

- Cargue el disco MP3 o de archivos de fotos:
 - Mantenga presionado el botón **Open** (Abrir) para abrir la puerta de los discos.
 - Sujete el disco por los bordes y colóquelo en el soporte central con el lado impreso hacia usted; presione hasta que escuche un chasquido.
 - Cierre la puerta del disco.

La unidad carga el disco y muestra su contenido en la pantalla empezando con la primera pista o archivo de imágenes. Los archivos en el CD se reproducen de uno en uno.



- Presione un botón direccional para ver o seleccionar un archivo en el CD. Presione **Enter** (Entrar) para confirmar una selección de audio y reproducirla.
- Presione **Pause** (Pausa) para interrumpir la reproducción y presione **Play** (Reproducir) para reanudarla.

Nota:

- También puede presionar la función **GOTO** (Ir a) o utilizar los botones numéricos para introducir el número de una foto y seleccionar rápidamente cualquier imagen.
- Presione el botón **Angle** (Ángulo) en el control remoto para girar la orientación de la imagen en 90°.

Archivos reproducibles

La capacidad de esta unidad para leer discos MP3 depende de lo siguiente:

- La velocidad de bits debe estar entre 64 y 256 kbps.
- El número total de archivos en el disco no debe ser superior a 254.
- El número máximo de directorios no debe ser superior a 32.
- El nivel máximo de directorios no debe ser superior a 4.

- Los nombres de los archivos deben ser de 7 caracteres como máximo y deben incorporar la extensión de archivo "MP3". Por ejemplo: *****.MP3, donde cada * es una letra o número.
- Utilice sólo letras o números en los nombres de archivos. Si utiliza caracteres especiales, los nombres de los archivos y/o carpetas pueden no mostrarse correctamente en la visualización en pantalla.
- Al grabar en discos CD-R, use discos de 74 minutos (650 MB).
- Los discos CD-R o -RW deben finalizarse en un PC utilizando un formato de una sola sesión con velocidad de grabación inferior a 8x.
- Consulte su software de creación de CD/MP3 para más información.

Mantenimiento de su reproductor de DVD

Limpieza del reproductor

- Limpiar con un paño suave. Si el reproductor está muy sucio, humedezca un paño con una solución suave de detergente neutral y agua, y luego límpielo. No use aire comprimido para limpiar el polvo.

Cuidado de los discos

- No toque la superficie del lado sin etiqueta del disco.
- No pegue papel ni cinta adhesiva en la superficie del disco.
- No exponga el disco a la luz solar directa o a calor excesivo.
- No use discos con formas irregulares (por ejemplo: con forma de corazón u octogonales). Estos pueden causar un mal funcionamiento.

Limpieza de los discos

Un disco sucio provoca saltos de sonido y, si está muy sucio, puede que deje de funcionar completamente. Sujete el disco por los bordes interior y exterior.

- Las huellas digitales y el polvo deben eliminarse cuidadosamente de la superficie del DVD o CD con un paño suave. Se debe limpiar con un movimiento recto desde el centro hacia la orilla.
- Nunca utilice diluyente, benceno, limpiadores de discos, o aerosoles antiestáticos en un DVD o CD ya que estos productos pueden dañar su superficie plástica.

Nota:

Antes de transportar la unidad, retire cualquier disco del compartimiento del disco.

Solución de Problemas

Problema	Solución
No hay alimentación eléctrica	<ul style="list-style-type: none"> • Compruebe que el cable de alimentación de CA o el cable de alimentación de CC esté conectado. • Verifique que la unidad esté encendida.
El control remoto no funciona	<ul style="list-style-type: none"> • Retire todos los obstáculos que haya entre el control remoto y la unidad. • Utilice el control remoto cerca de la unidad. • Apunte el control remoto al sensor remoto en la unidad. • Reemplace la pila del control remoto por una nueva.
El DVD tiene poco sonido o ninguno	<ul style="list-style-type: none"> • Verifique que ha seleccionado el modo DVD. • El sistema está en el modo de pausa. Presione el botón PLAY (Reproducir) para regresar al modo normal. • El DVD está en modo de avance rápido o retroceso rápido. Presione el botón PLAY (Reproducir) para regresar al modo normal. • Verifique que las conexiones de salida de AUDIO/VIDEO estén bien hechas. • La pista del sonido DTS del DVD no puede descodificarse para salida de altavoces. • La unidad está demasiado caliente. Apague el reproductor de DVD y espere 30 minutos a que se enfríe.
No hay imagen	El número regional del disco no coincide con el número regional de esta unidad.
La imagen se ve borrosa	El disco está rayado. Limpie el disco.
Se escucha un zumbido o ruido fuerte	<ul style="list-style-type: none"> • Las clavijas y conectores están sucios. Límpielos con un paño humedecido ligeramente con alcohol. • Limpie el disco.
No se puede reproducir el disco	<ul style="list-style-type: none"> • No hay disco dentro de la unidad (en la pantalla aparece el mensaje No Disc). Inserte el disco correctamente. • Limpie el disco. • Se ha insertado un disco que no es NTSC. El número regional de la unidad y del disco son incompatibles. • Puede haberse formado condensación dentro de la unidad debido a un cambio repentino de temperatura. Espere aproximadamente una hora para que desaparezca la condensación e inténtelo de nuevo.

Garantía Limitada

Insignia Products le garantiza a usted, el comprador original de este producto, estará libre de defectos de material y mano de obra durante un periodo de noventa (90) días a partir de la fecha de compra, según como se establece a continuación:

- 1 MANO DE OBRA:** Durante el Periodo de Garantía, si se encuentra que este producto esta defectuoso, Insignia reparará o reemplazará el Producto, a su discreción sin costo alguno, o pagará los cargos de reparación a un centro autorizado de servicio de Insignia. Después del período de garantía, usted deberá cubrir todos los gastos de mano de obra.
- 2 REPUESTOS:** Además, Insignia proveerá, sin costo alguno, repuestos ya sean nuevos o como nuevos como reemplazo de los componentes que se encuentren defectuosos durante el Período de Garantía. Después del período de garantía, usted deberá cubrir todos los gastos ocasionados por los repuestos.

Para obtener servicio de garantía, usted deberá llevar el Producto con su recibo original u otra prueba de compra, ya sea en su empaque original o en un empaque que proporcione el mismo grado de protección, al centro de ventas más cercano de la tienda o sitio de web dónde usted compró el Producto. Esta garantía no abarca daños cosméticos, o daños por fuerzas de la naturaleza, rayos, accidentes, uso indebido, abuso, negligencia, uso comercial o modificación de alguna parte del Producto, incluyendo la antena. Esta garantía no abarca daño debido a operación o mantenimiento inadecuado, conexión a una fuente de voltaje inadecuada, o el intento de reparación por parte de cualquier persona excepto un representante autorizado por Insignia para llevar a cabo dicha reparación del Producto. Esta garantía no abarca Productos vendidos que no mantengan las condiciones originales o con falla, o consumibles (tales como fusibles o baterías.) Esta garantía es valida únicamente en Los Estados Unidos de América y Canada. Esta garantía será anulada si el número de serie aplicado en la fábrica ha sido alterado o removido del Producto. **REEMPLAZO O REPARACIÓN PROVEÍDOS MEDIANTE ESTA GARANTÍA SON LA ÚNICA SOLUCIÓN OFRECIDA AL CLIENTE. INSIGNIA NO SERÁ RESPONSABLE POR DAÑOS INCIDENTALES O DIRECTOS CAUSADOS POR LA VIOLACIÓN DE CUALQUIER GARANTÍA EXPRESA O IMPLÍCITA PARA CON ESTE PRODUCTO. CON EXCEPCIÓN DEL ALCANCE PERMITIDO POR LA LEY, CUALQUIER GARANTÍA IMPLÍCITA O CONDICIÓN DE COMERCIALIZACIÓN O ADECUACIÓN PARA UN FIN DETERMINADO ESTÁ LIMITADO POR LA DURACIÓN DE LA GARANTÍA.** Algunos estados o provincias no permiten la exclusión o límite de daños incidentales o directos, o no permiten límite en la vigencia de la garantía implicada, así que en este caso los límites o exclusiones anteriores no son aplicables al cliente. Esta garantía le da derechos legales específicos, y usted puede poseer otros derechos que varían de estado a estado, o provincia a provincia. Para servicio al cliente favor llamar al 1-877-467-4289 www.insignia-products.com Insignia Products, Richfield, Minnesota, U.S.A.

Derechos de reproducción

© 2006 Insignia. Insignia y el logotipo de Insignia son marcas de comercio de Best Buy Enterprise Services, Inc. Otras marcas y nombres de productos son marcas de comercio o marcas registradas de sus dueños respectivos. Las especificaciones y características están sujetas a cambio sin aviso previo u obligación.

Número de asistencia: (877) 467-4289

URL: www.insignia-products.com



Distributed by Insignia™ Products
Distribué par Insignia™ Products
Distribuido por Insignia™ Products

7601 Penn Avenue South,
Richfield, MN USA 55423-3645
www.Insignia-Products.com

© 2006 Insignia™ Products

All rights reserved. All other products and brand names are trademarks of their respective owners.

© 2006 produits Insignia™

Tous droits réservés. Tous les autres produits ou noms de marques sont des marques de commerce qui appartiennent à leurs propriétaires respectifs.

© 2006 productos Insignia™

Todos los derechos reservados. Todos los demás productos y marcas son marcas comerciales de sus respectivos dueños.

Download from www.Somanuals.com. All Manuals Search And Download.

R1

Free Manuals Download Website

<http://myh66.com>

<http://usermanuals.us>

<http://www.somanuals.com>

<http://www.4manuals.cc>

<http://www.manual-lib.com>

<http://www.404manual.com>

<http://www.luxmanual.com>

<http://aubethermostatmanual.com>

Golf course search by state

<http://golfingnear.com>

Email search by domain

<http://emailbydomain.com>

Auto manuals search

<http://auto.somanuals.com>

TV manuals search

<http://tv.somanuals.com>