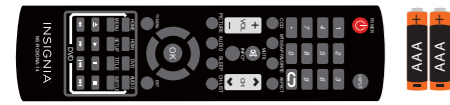
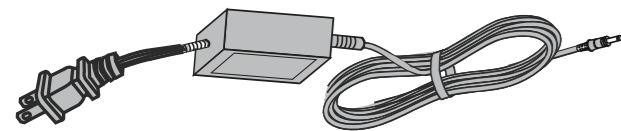


## INCLUDED ACCESSORIES

Remote control and two AAA batteries



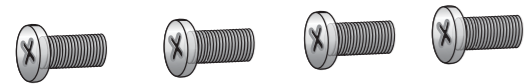
Power adapter



TV stands



M4 type (14 mm length) (4pcs.)



**FIND YOUR USER GUIDE ONLINE!**  
Go to [www.insigniaproducts.com](http://www.insigniaproducts.com), then click **Support & Service**. Enter **NS-32DD220NA16** in the box under **Manual, Firmware, Drivers & Product Information**, then click ▶.

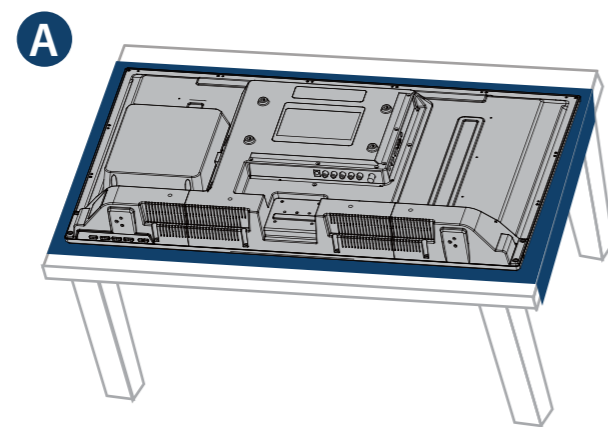
**STOP**  
Do not plug your power adapter in until all other devices have been connected.

## 1 START HERE

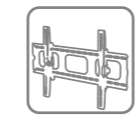
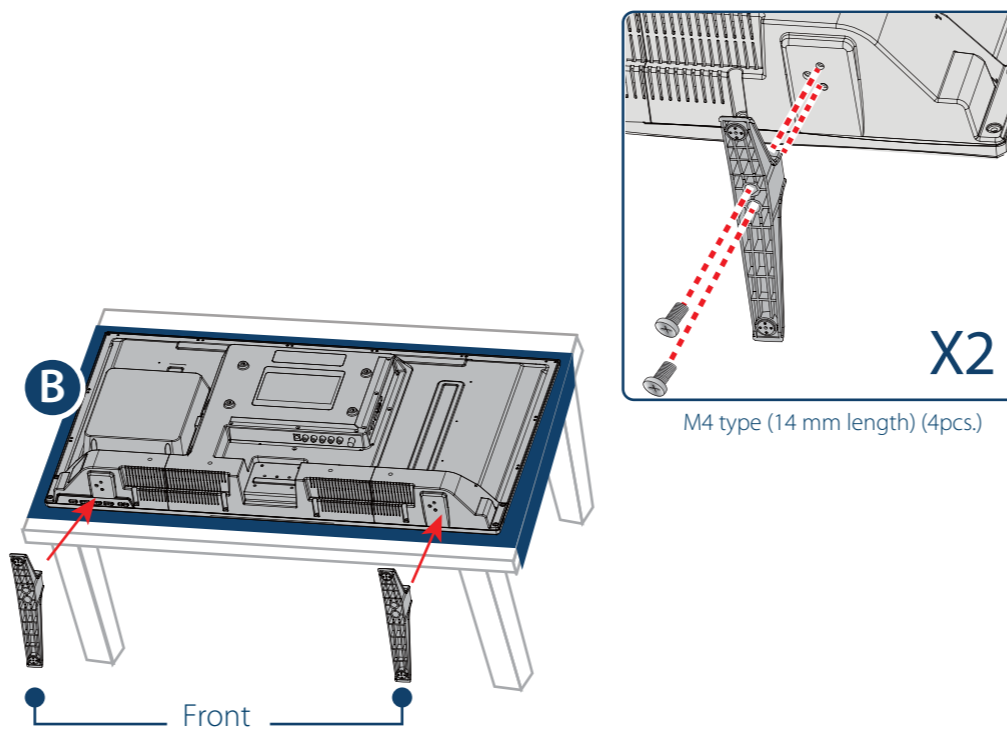
How do I attach the stand to my TV? (not for wall mounting)

You'll need: Soft surface and Phillips screwdriver

**A** Carefully place your TV face-down on a cushioned, clean surface.



**B** Secure the TV stands to the TV with the four provided screws.



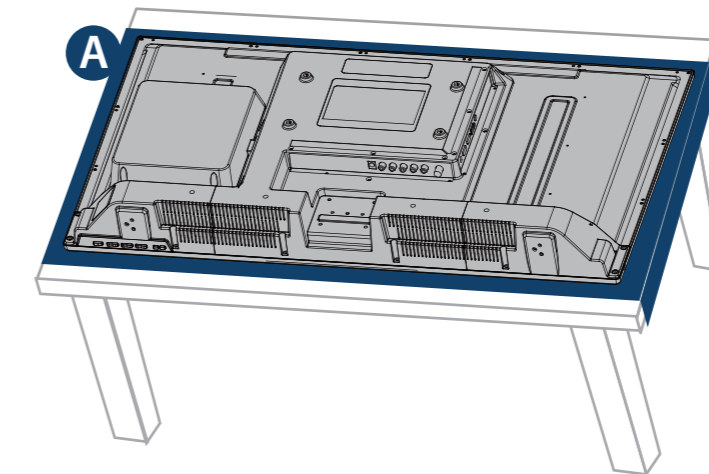
## WALL MOUNT

How do I prepare my TV for wall mounting? (not for use with a TV stand)

You'll need: Soft surface.

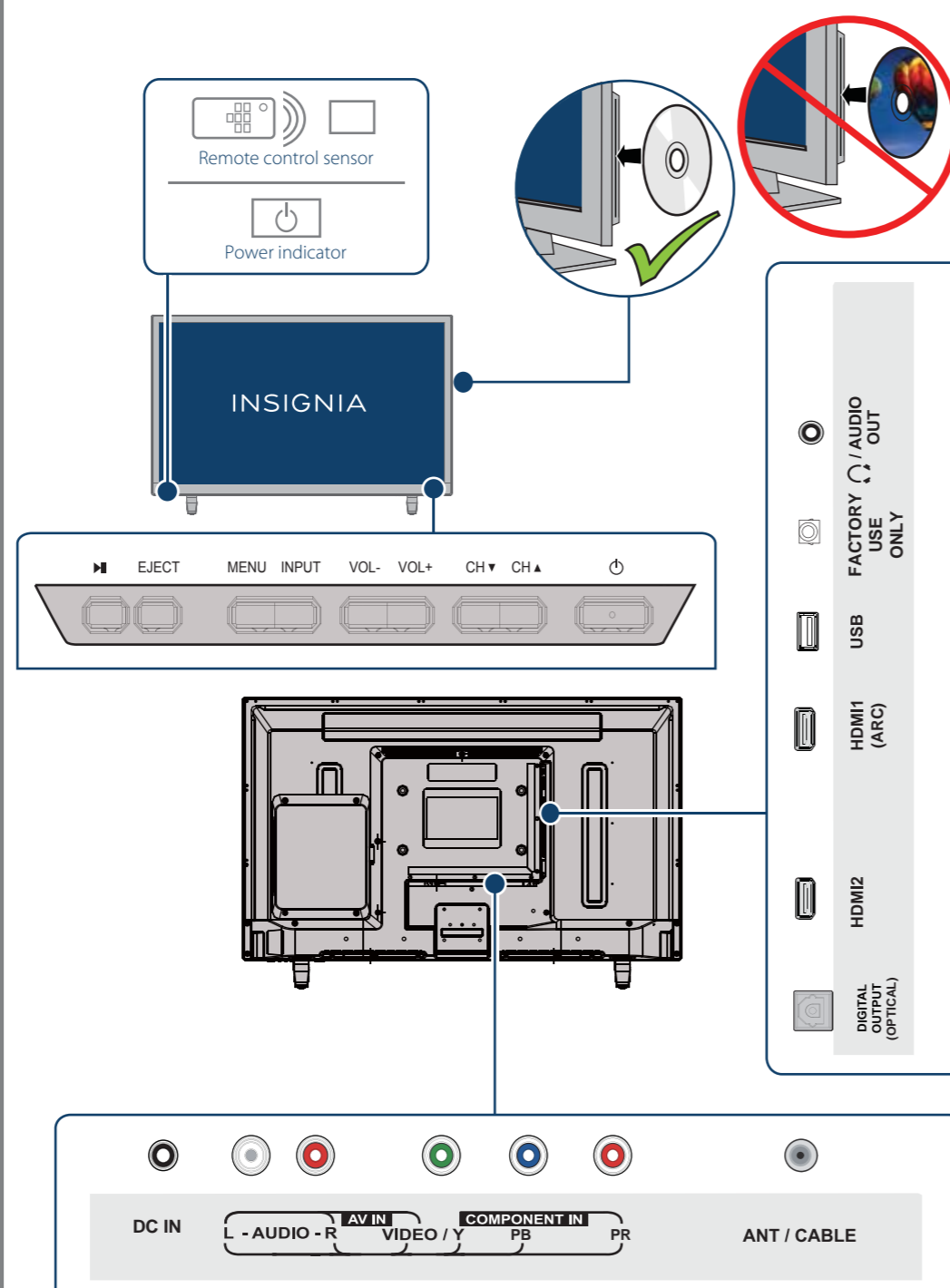
**A** Carefully place your TV face-down on a cushioned, clean surface.

**B** See the instructions that came with your wall mount for more information about how to correctly mount your TV.



**B** Your TV has four VESA mounting holes on the back. If you attach a wall-mount bracket to the back of your TV, the bracket must be securely attached, using all four holes. If you do not use all four mounting holes, your TV may fall and cause property damage or personal injury. See the documentation that came with your wall mount for complete mounting instructions.

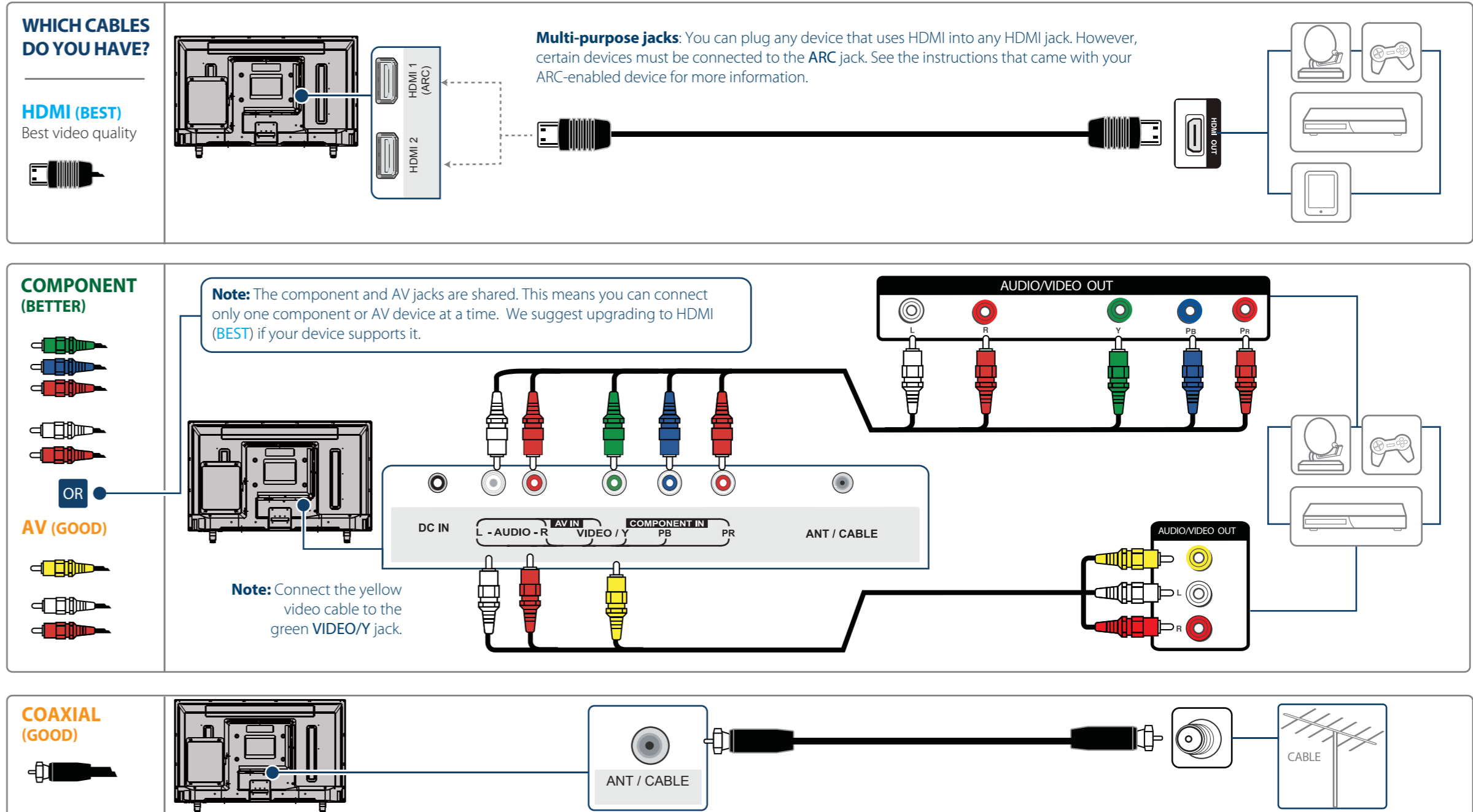
## FEATURES



Before using your new product, please read these instructions to prevent any damage.

## 2 MAKING CONNECTIONS

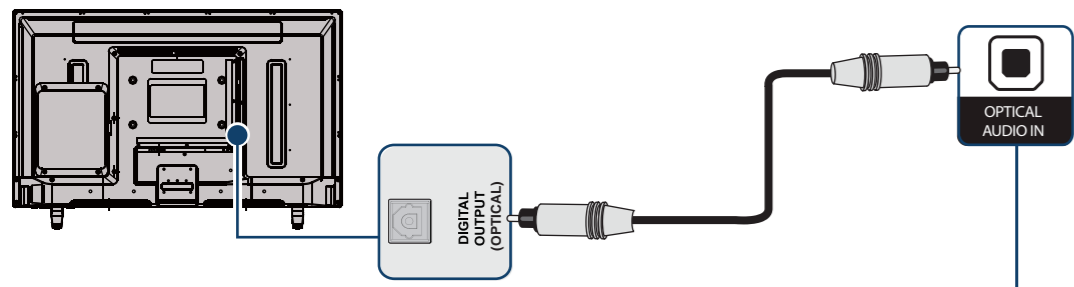
How do I watch TV (cable, satellite, or antenna) or connect a device such as a DVD or Blu-ray disc player, game console, or tablet?



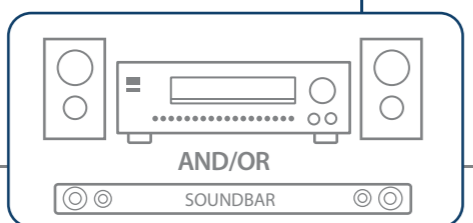
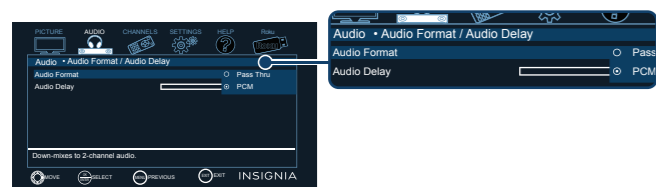
### 3 CONNECTING AUDIO DEVICES

How do I connect my TV to external speakers?

#### USING DIGITAL AUDIO

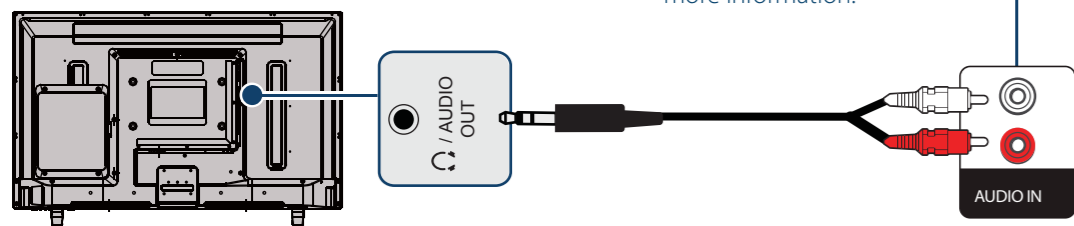


On the **Audio** menu on your TV, select **Digital Audio Format/Audio Delay**, then set **Audio Format** to **PCM**.



**Note:** See the instructions that came with your speakers for more information.

#### USING ANALOG AUDIO

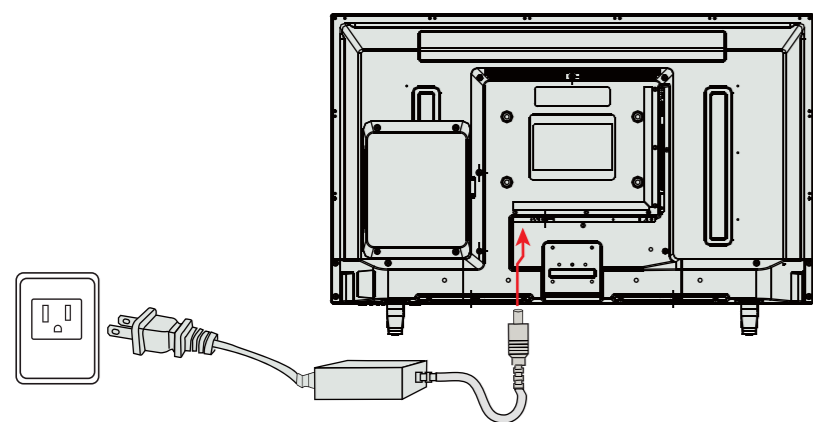


### 4 TURNING ON MY TV

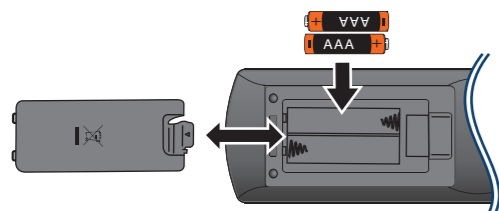
When can I turn on my TV?

#### WHEN YOUR TV IS IN PLACE:

- 1 Plug the power adapter into the **DC IN** jack on the back of your TV, then plug the other end into a power outlet.



- 2 Remove the remote control cover and install the batteries.



- 3 Press **POWER** on your remote control.

- 4 Follow the on-screen instructions.



### USING YOUR REMOTE CONTROL

**Power** Turns your TV on or off.

**Numbers** Enter channel numbers and parental control password.

**CCD** Turns closed captioning on or off.

**MTS/SAP** Analog TV - Cycles through mono, stereo, and secondary audio. Digital TV - Selects the audio language for the current channel.

**Volume** Changes the volume.

**PICTURE** Selects the picture mode.

**AUDIO** Selects the audio mode.

**TV-MENU** Opens the TV menu.

**OK** Confirms selections or opens a sub-menu.

**HOME** Opens the TV menu.

**MENU** Opens the DVD menu.

**SETUP** Opens the DVD system setup.

**Media Controls** DVD - Navigate in DVD playback. USB - Control the photo slideshow. INlink - Control HDMI-CEC devices connected to your TV.

**INPUT** Opens the **INPUT SOURCE** list.

**RECALL** Returns to the previous channel.

**ASPECT** Changes how the picture is displayed on the screen.

**FAVORITE** Opens the Favorite Channel List.

**MUTE** Mutes the sound.

**Channel** Changes the TV channels.

**INFO\*** Opens a TV status banner.

**CH-LIST** Opens the channel list.

**SLEEP** Sets the sleep timer.

**Arrows** Navigate in TV menus.

**EXIT** Closes the TV menu.

**QuickLaunchInputs** Select an HDMI device or the built-in DVD player.

**AUDIO** Selects a different audio language if available.

**SUBTITLE** Selects the DVD subtitle language.

**TITLE** Opens the DVD title menu if the DVD supports this feature.

**INPUT SOURCE** TV, DVD, HDMI 1, HDMI 2, Component/AV, USB(Photos)

**What are my screen-size options?**

- NORMAL:** Original aspect ratio is preserved. You might see black bars if the original content is not widescreen (16:9).
- ZOOM:** Expands the image to fill the screen. The top and bottom of the image may be cropped.
- WIDE:** Use to watch content that was recorded in widescreen (16:9).
- CINEMA:** Stretches the image at the edges, but keeps a clear image in the center.
- AUTO:** Automatically adjusts the image based on the screen size and the TV program. Select this option if you don't know which aspect ratio to choose. **Note: Auto** is only available when **Auto Aspect Ratio** in the **Channels** menu is set to **On**.

**Picture Mode Menu:** Picture Mode: Standard, Advanced Settings, Backlight: 50, Brightness: 50, Contrast: 50, Color: 50. Select a picture mode to change picture appearance.

I already have a universal remote control. How do I make it control this TV?

If you already have a universal remote control that you would like to program to work with your TV and don't want to use the included Insignia remote control, see the table for common codes.

UNIVERSAL REMOTE TV CODES	
CABLE BOX, SATELLITE BOX, OR OTHER SET-TOP BOX	
Cablevision	068, 069, 078, 096, 100, 164, 168, 229, 026
Charter	2002, 1204, 1423, 1517, 0171, 1963, 0463, 1463, 0842, 1326, 167, 415, 424, 450, 456, 461, 507, 523, 567, 577, 586
Comcast	10171, 11204, 11326, 11463, 11517, 11641, 11780, 11785, 11892, 11963, 12002
Cox	1326, 1463
Direct TV	10171, 11204, 11326, 11517, 11564, 11641, 11963, 12002
Dish Network	720
Time Warner	400, 450, 461, 456, 10463, 1463, 0463
Tivo	0091
Verizon	0198, 0490
UNIVERSAL REMOTE CONTROLS	
One for All	0054
Philips	0198, 0490
RCA	135
Sony	068, 069, 078, 096, 100, 164, 168, 229, 026



For an up-to-date list of codes for other cable providers and universal remote brands, scan this **QR code** or visit [www.insigniaproducts.com/remotecodes](http://www.insigniaproducts.com/remotecodes)

# INSIGNIA™

**ONE-YEAR LIMITED WARRANTY**  
Visit [www.insigniaproducts.com](http://www.insigniaproducts.com) for details.

**NEED ADDITIONAL HELP?**  
See your online *User Guide!* This comprehensive guide includes everything from basic how-to steps to more advanced features. A copy of your *User Guide* is not provided in the box but is available online. Go to [www.insigniaproducts.com](http://www.insigniaproducts.com), then click **Support & Service**. Enter **NS-32DD220NA16** in the box under *Manual, Firmware, Drivers & Product Information*, then click ▶.

Check out our **Support Community** <http://community.insigniaproducts.com/> for helpful information from other Insignia TV owners.

**WE'RE HERE FOR YOU**  
[www.insigniaproducts.com](http://www.insigniaproducts.com)  
For customer service, call: **877-467-4289** (U.S./Canada)

INSIGNIA is a trademark of Best Buy and its affiliated companies. Registered in some countries. Distributed by Best Buy Purchasing, LLC 7601 Penn Ave South, Richfield, MN 55423 U.S.A. ©2014 Best Buy. All rights reserved. Made in China

## Free Manuals Download Website

<http://myh66.com>

<http://usermanuals.us>

<http://www.somanuals.com>

<http://www.4manuals.cc>

<http://www.manual-lib.com>

<http://www.404manual.com>

<http://www.luxmanual.com>

<http://aubethermostatmanual.com>

Golf course search by state

<http://golfingnear.com>

Email search by domain

<http://emailbydomain.com>

Auto manuals search

<http://auto.somanuals.com>

TV manuals search

<http://tv.somanuals.com>