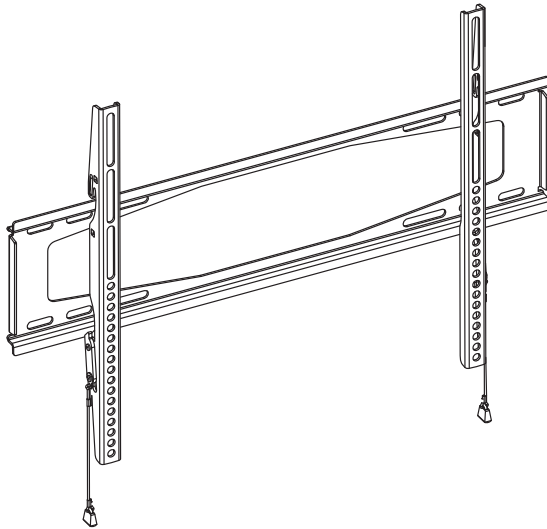


INSTALLATION GUIDE

INSIGNIA™

FIXED-POSITION WALL MOUNT FOR TVs 40-70 in.

NS-TVMFP23/NS-TVMFP23-C



For either wood-stud or
concrete wall installations

Safety information and specifications . . .	2
Tools needed.	3
Package contents	3
Installation instructions.	5

Safety information and specifications



IMPORTANT SAFETY INSTRUCTIONS - SAVE THESE INSTRUCTIONS

CAUTION: Do

not use this product for any purpose not explicitly specified by Insignia.

Improper installation may cause property damage or personal injury.

If you do not understand these directions, or have doubts about the safety of the installation, contact

Customer Service or call a qualified contractor. Insignia is not responsible

for damage or injury caused by incorrect installation or use.

The weight of your TV must not exceed 100 lbs. (45 kg). The wall must be capable of supporting five times the weight of your TV and wall mount combined.

This product contains small items that could be a choking hazard if swallowed. Keep these items away from young children!

Maximum TV weight: 100 lbs. (45 kg)

Screen size: 40 in. to 70 in. diagonal

Overall dimensions (H × W):

16.7 × 27.3 in. (42.5 × 69.3 cm)

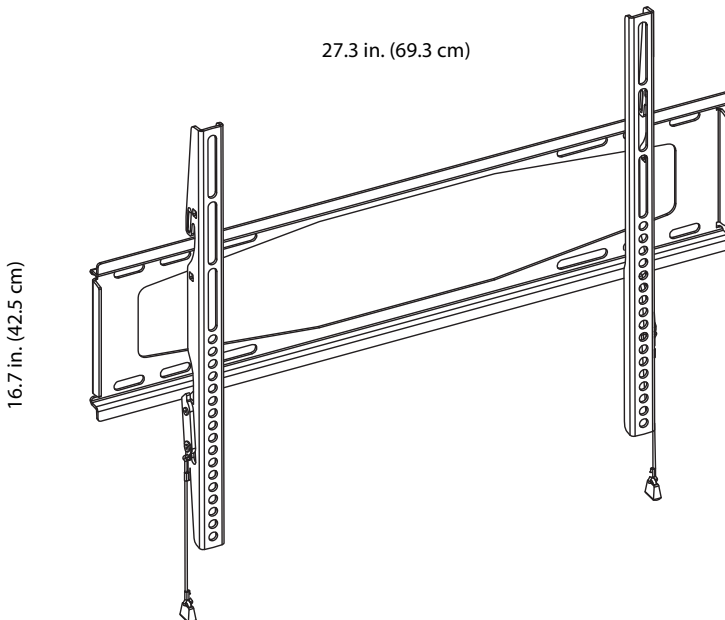
Wall-mount weight: 7 lb

We're here for you

www.insigniaproducts.com

For customer service, call:

877-467-4289 (U.S./Canada markets)

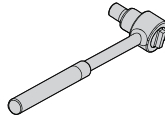


Tools needed

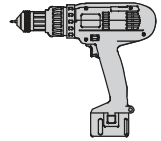
You will need the following tools to assemble your new TV wall mount:



Edge-to-edge stud finder



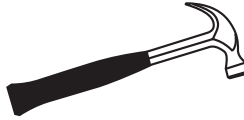
Socket wrench with 1/2 in. (13 mm) socket or adjustable wrench



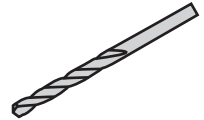
Drill



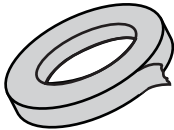
Phillips screwdriver



Hammer



7/32 in. (5.5 mm) wood drill bit for wood stud wall



Tape



Measuring tape



Level

OR

3/8 in. (10 mm) masonry drill bit (for concrete wall)

Package contents

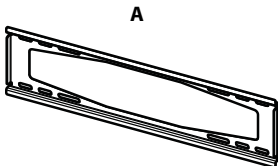
Make sure that you have all the hardware necessary to assemble your new TV wall mount:

A Wall Plate (1)

C Right TV Bracket (1)

B Left TV Bracket (1)

R Wall Plate Template (1)



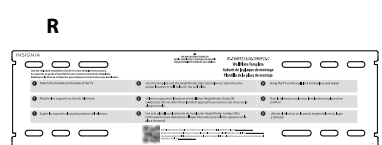
A



B




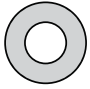
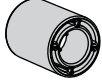





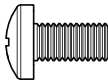
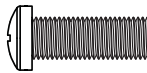


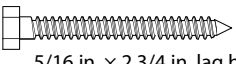
C

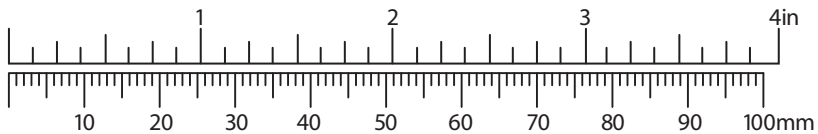


R

TV Hardware Bag

Label	Hardware	Qty.
D	 M5 × 12 mm screw	4
E	 M5 × 35 mm screw	4
F	 M5 washer	4
G	 M6/M8 washer	4
H	 Spacers	4
I	 M6 × 12 mm screw	4
J	 M6 × 20 mm screw	4

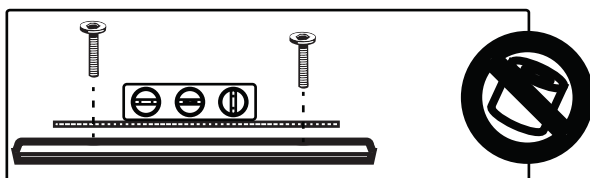
Label	Hardware	Qty.
K	 M6 × 35 mm screw	4
L	 M8 × 16 mm screw	4
M	 M8 × 20 mm screw	4
N	 M8 × 35 mm screw	4
O	 Lag bolt washer	4
P	 5/16 in. × 2 3/4 in. lag bolt	4



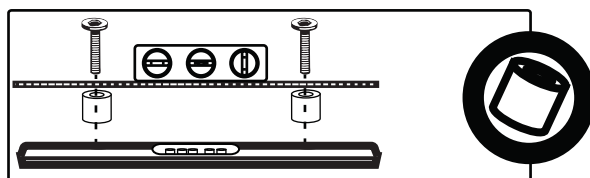
Installation instructions

STEP 1 - Determine whether your TV has a flat back or an irregular or obstructed back

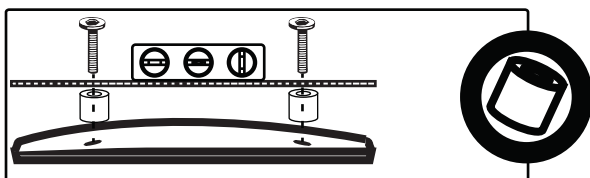
- 1 Carefully place your TV screen face-down on a cushioned, clean surface to protect the screen from damages and scratches.
- 2 If your TV has a table-top stand attached, remove the stand. See the documentation that came with your TV for instructions.
- 3 Temporarily lay the TV brackets (**B** and **C**) on the back of your TV.
- 4 Align the screw holes in the TV brackets with the mounting screw holes on your TV.
- 5 Identify which type of back your TV may have:
 - **Flat back:** The brackets lay flush against the back of your TV and do not block any jacks. You do not need spacers when assembling the wall mount.



- **Obstructed back:** The brackets block one or more of the jacks on the back of your TV. You will need spacers when assembling the wall mount.



- **Irregularly-shaped back:** There is a gap between a bracket and some part of the back of your TV. You will need spacers when assembling the wall mount.



- 6 Remove the TV brackets.

STEP 2 - Select screws, washers, and spacers

- 1 Select the hardware for your TV (screws, washers, and spacers). A limited number of TVs come with mounting hardware included. (If there are screws that came with the TV, they are almost always in the holes on the back of the TV.) If you don't know the correct length of the mounting screws your TV requires, test various sizes by hand threading the screws.

Select one of the following types of screws:

For a TV with a flat back:

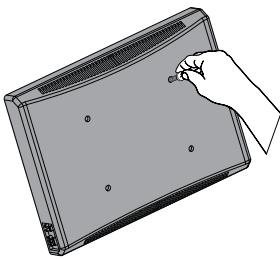
- M5 X 12mm screws (D)
- M6 X 12mm screws (I)
- M6 X 20mm screws (J)
- M8 X 16mm screws (L)
- M8 X 20mm screws (M)

For a TV with an irregular/obstructed back:

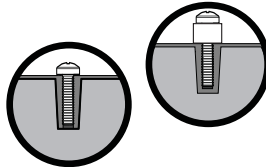
- M5 X 35mm screws (E)
- M6 X 35mm screws (K)
- M8 X 35mm screws (N)

Select either an M5 washer (F) or an M6/M8 washer (G)
For an irregular or obstructed TV back, also use Spacer (H)

CAUTION: To avoid potential personal injuries and property damage, make sure that there are adequate threads to secure the brackets to your TV. If you encounter resistance, stop immediately and contact customer service. Use the shortest screw and spacer combination to accommodate your TV. Using hardware that is too long may damage your TV. However, using a screw that is too short may cause your TV to fall from the mount.



Screw fits correctly



Screw is too long



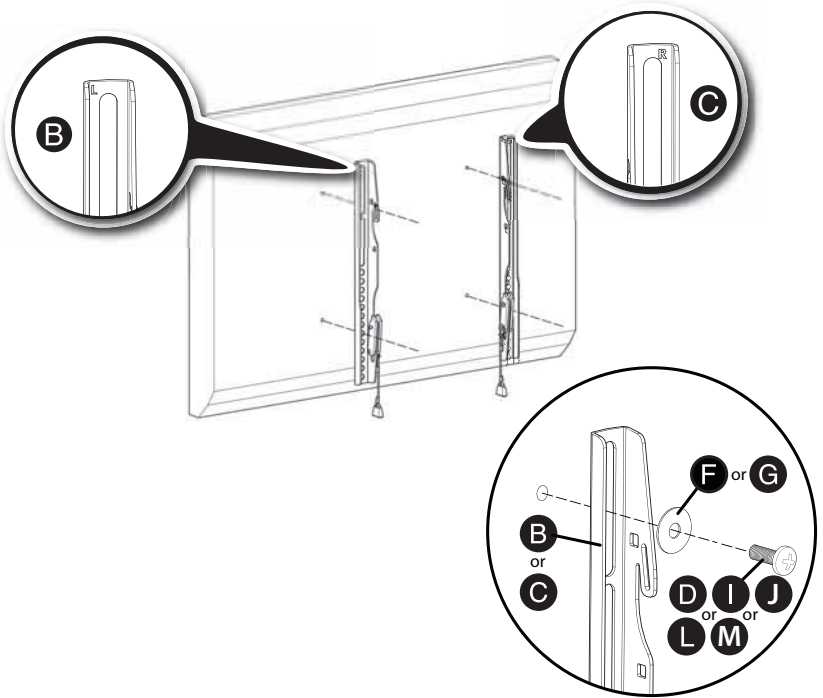
Screw is too short



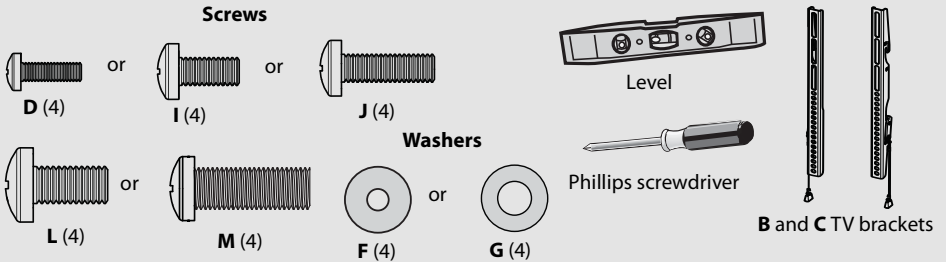
- 2 Remove the screws.
- 3 For a flat back TV, go to "STEP 3 - Option 1: Attaching the mounting hardware to TVs with a flat back" on page 7.
-OR-
For an irregular or obstructed back, go to "STEP 3 - Option 2: Attaching the mounting hardware to TVs with irregular or obstructed backs" on page 8.

STEP 3 - Option 1: Attaching the mounting hardware to TVs with a flat back

- 1 Align the left and right TV brackets (**B** and **C**) with the screw holes on the back of the TV. Make sure that the brackets are level.
- 2 Install washers (**F** or **G**), and screws (**D**, **I**, **J**, **L**, or **M**) into the holes in the back of the TV.
- 3 Tighten the screws until they are snug against the TV brackets. Do not over tighten.

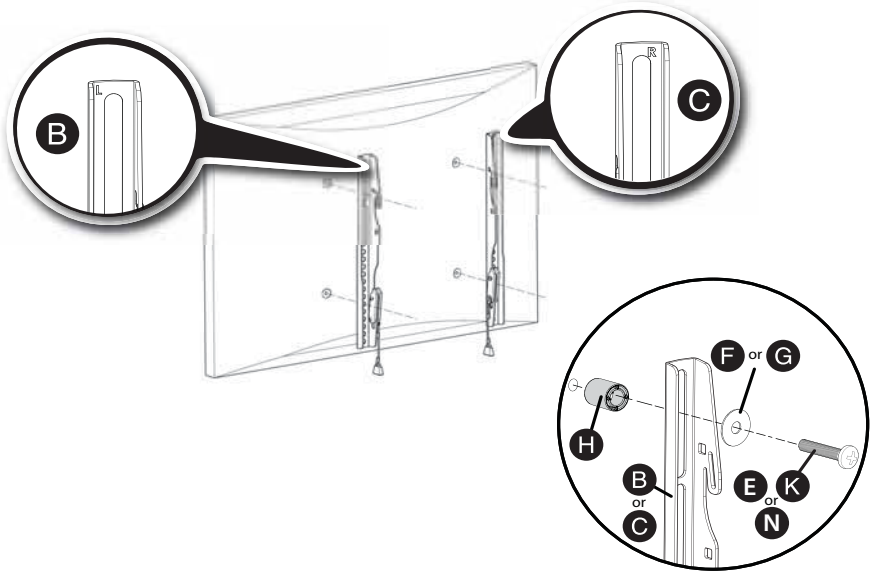


You'll need

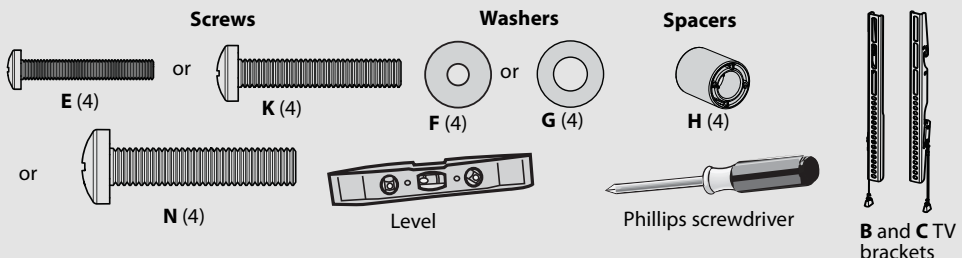


STEP 3 - Option 2: Attaching the mounting hardware to TVs with irregular or obstructed backs

- 1 Align the left and right TV brackets (**B** and **C**) with the screw holes on the back of the TV. Make sure that the brackets are level.
- 2 Place spacers (**H**) behind the TV brackets. Place washers (**F** or **G**) over the holes in the TV brackets. Insert screws (**E**, **K**, or **N**) through the washers, TV brackets, and spacers.
- 3 Tighten the screws until they are snug against the TV brackets. Do not over tighten.



You'll need



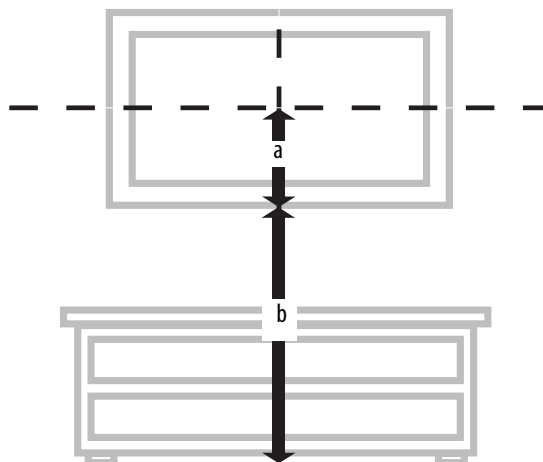
STEP 4 - Determine wall-mount location

Note:

- For more detailed information on determining where to drill your holes, visit our online height-finder at: <http://mf1.bestbuy.selectionassistant.com/index.php/heightfinder>
- Your TV should be high enough so your eyes are level with the middle of the screen. This is normally 40 to 60 in. from the ground.

The center of your TV will be offset .80 in. lower than the center of the wall plate (A). Before you drill holes in the wall:

- 1 Measure the distance from the bottom of your TV to the middle (half of the height of the TV). This is measurement **a**.
- 2 Measure the distance from the floor to where you want the bottom of the TV to be placed on the wall. Keep in mind that the bottom of the TV should be placed above any furniture (such as entertainment centers or TV stands). The TV should also be above items placed on top of the furniture (like a Blu-ray player or cable box). This measurement is **b**.
- 3 Add **a + b**. The total measurement is the height where you want the center of the wall plate to be on the wall.
- 4 Use a pencil to mark this spot on the wall.



You'll need



Measuring tape



Pencil

STEP 5 - Option 1: Installing on a wood stud* wall

Note: Any drywall covering the wall must not exceed 5/8 in. (16 mm).

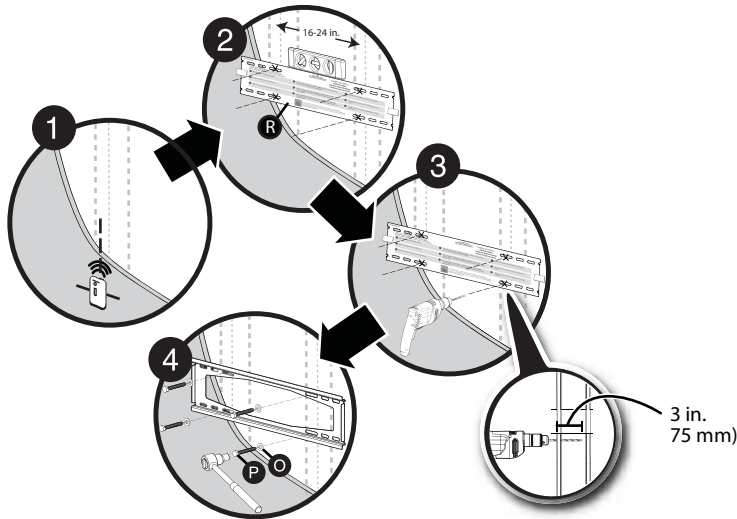
- 1 Locate the stud. Verify the center of the stud with an edge-to-edge stud finder.
- 2 Align the wall plate template (R) at the height you determined in the previous step (or by using the HeightFinder mentioned on the template), make sure that it is level, then tape it to the wall.
- 3 Drill pilot holes through the template to a depth of 3 in. (75 mm) using a 7/32 in. (5.5 mm) diameter drill bit, then remove the template.
- 4 Align the wall plate (A) with the pilot holes, insert the lag bolts (P) through the lag bolt washers (O), then through the holes in the wall plate. Tighten the lag bolts only until they are firm against the wall plate.

⚠ CAUTION:

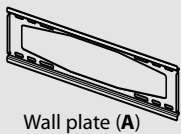
- Avoid potential injuries or property damage!
- DO NOT over-tighten the lag bolts (P).

* Minimum wood stud size: common 2 x 4 in. (51 x 102 mm) nominal 1 1/2 x 3 1/2 in. (38 x 89 mm).

* Minimum horizontal spacing between fasteners cannot be less than 16 in. (406 mm).



You'll need



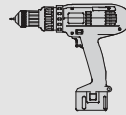
Wall plate (A)



Wall plate template (R)



Edge-to-edge stud finder



Drill



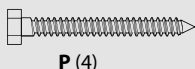
1/2 in. socket wrench



O (4)



Level



P (4)



7/32 in. wood drill bit



Tape

STEP 5 - Option 2: Installing on a solid concrete or concrete block wall*

! CAUTION: To prevent property damage or personal injury, never drill into mortar between blocks. Mount wall plate directly onto the concrete surface.

- 1 Align the wall plate template (R) at the height you determined in the previous step (or by using the HeightFinder mentioned on the template), make sure that it is level, then tape it to the wall.
- 2 Drill pilot holes through the template to a depth of 3 in. (75 mm) using a 3/8 in. (10 mm) diameter masonry drill bit, then remove the template.
- 3 Insert the concrete wall anchors** into the pilot holes and use a hammer to make sure the anchors are flush with the concrete surface.
- 4 Align the wall plate (A) with the anchors, insert the lag bolts (P) through the lag bolt washers (O), then through the holes in the wall plate. Tighten the lag bolts only until they are firm against the wall plate.

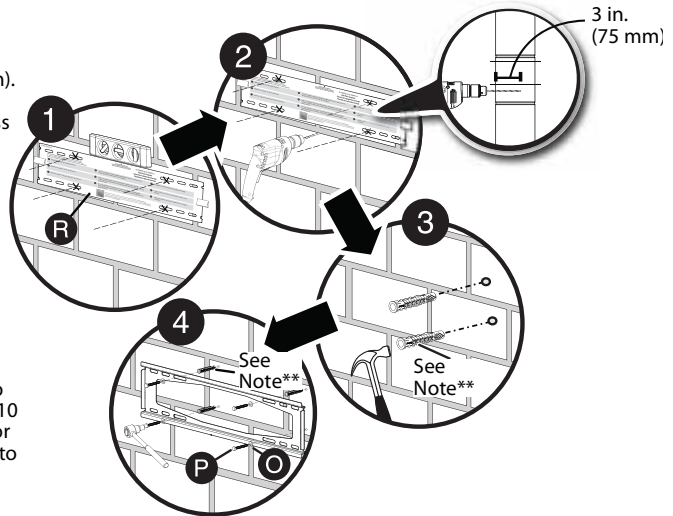
! CAUTION:

- Avoid potential injuries or property damage!
- DO NOT over-tighten the lag bolts (P).

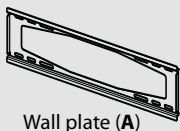
**Not included. Call Customer Service to have the Fischer UX10 x 60 concrete anchor kit shipped directly to you.

- * Minimum solid concrete thickness: 8 in. (203mm)
- * Minimum concrete block size: 8 x 8 x 16 in. (203 x 203 x 406 mm).
- * Minimum horizontal spacing between fasteners cannot be less than 16 in. (406 mm).

** Note: Not included. Call Customer Service to have the Fischer UX10 x 60 concrete anchor kit shipped directly to you.



You'll need



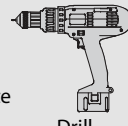
Wall plate (A)



Wall plate template (R)



3/8 in. concrete drill bit



Drill



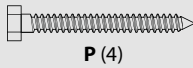
1/2 in. socket wrench



O (4)



Level



P (4)



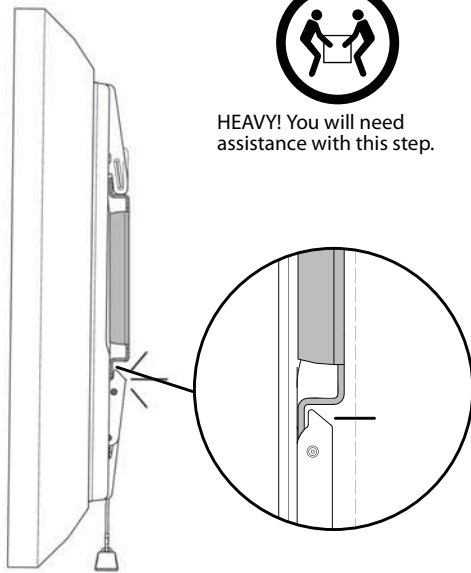
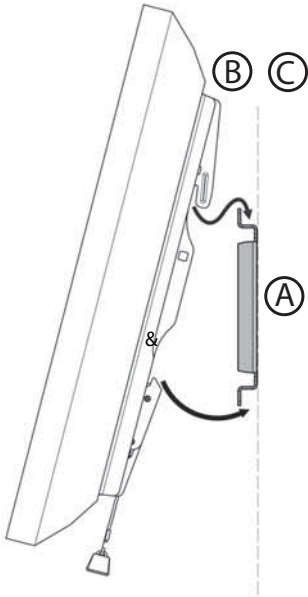
Tape



Hammer

STEP 6 - Mounting the TV to the wall plate

- 1 Holding the TV with the top of the screen tilted toward the wall, slide the upper notches of the right and left TV brackets (**B** and **C**) over the upper lip of the wall plate (**A**).
- 2 Push the bottom of the TV toward the wall until the latch mechanism clicks into place.



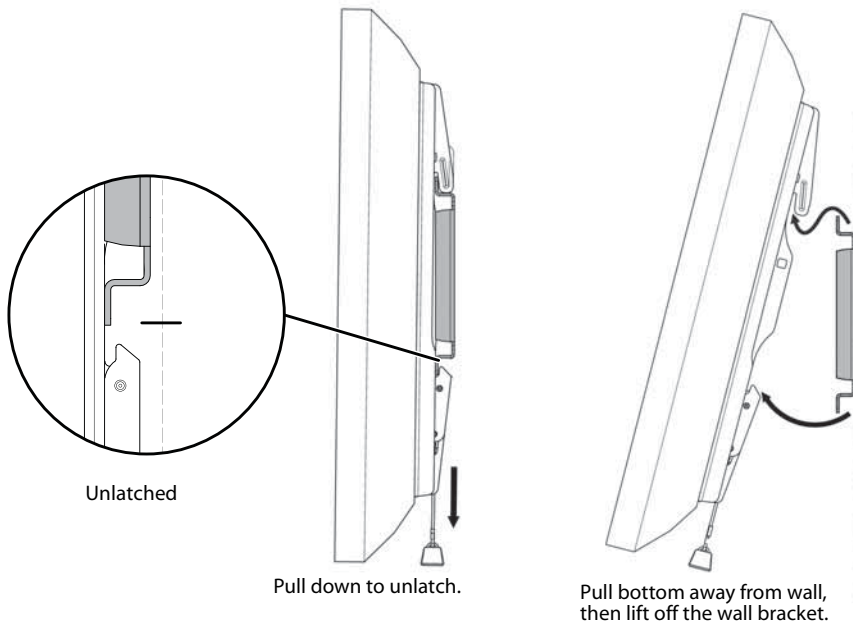
HEAVY! You will need assistance with this step.

Removing the TV from the wall plate

- 1 Grasp the TV by the bottom edge, then pull down on the locking cords and pull the bottom of the TV out from the wall.
- 2 Release the locking cords and lift the top of the TV from the wall bracket.



HEAVY! You will need assistance with this step.



Unlatched

Pull down to unlatch.

Pull bottom away from wall,
then lift off the wall bracket.

One-year limited warranty - Insignia

Definitions:

The Distributor* of Insignia branded products warrants to you, the original purchaser of this new Insignia-branded product ("Product"), that the Product shall be free of defects in the original manufacturer of the material or workmanship for a period of one (1) year from the date of your purchase of the Product ("Warranty Period").

For this warranty to apply, your Product must be purchased in the United States or Canada from a Best Buy branded or Future Shop branded retail store or online at www.bestbuy.com, www.bestbuy.ca, or www.futureshop.ca and is packaged with this warranty statement.

How long does the coverage last?

The Warranty Period lasts for one year (365 days) from the date you purchased the Product. Your purchase date is printed on the receipt you received with the Product.

What does this warranty cover?

During the Warranty Period, if the original manufacture of the material or workmanship of the Product is determined to be defective by an authorized Insignia repair center or store personnel, Insignia will (at its sole option): (1) repair the Product with new or rebuilt parts; or (2) replace the Product at no charge with new or rebuilt comparable products or parts. Products and parts replaced under this warranty become the property of Insignia and are not returned to you. If service of Products or parts are required after the Warranty Period expires, you must pay all labor and parts charges. This warranty lasts as long as you own your Insignia Product during the Warranty Period. Warranty coverage terminates if you sell or otherwise transfer the Product.

How to obtain warranty service?

If you purchased the Product at a Best Buy or Future Shop retail store location, please take your original receipt and the Product to any Best Buy or Future Shop store. Make sure that you place the Product in its original packaging or packaging that provides the same amount of protection as the original packaging. If you purchased the Product from a Best Buy or Future Shop online web site (www.bestbuy.com, www.bestbuy.ca, or www.futureshop.ca), mail your original receipt and the Product to the address listed on the web site. Make sure that you put the Product in its original packaging or packaging that provides the same amount of protection as the original packaging.

To obtain warranty service, in the United States call 1-888-BESTBUY, Canada call 1-866-BESTBUY for Future Shop call 1-800-663-2275. Call agents may diagnose and correct the issue over the phone.

Where is the warranty valid?

This warranty is valid only in the United States and Canada at Best Buy or Future Shop branded retail stores or websites to the original purchaser of the product in the county where the original purchase was made.

What does the warranty not cover?

This warranty does not cover:

- Customer instruction/education
- Installation
- Set up adjustments
- Cosmetic damage
- Damage due to weather, lightning, and other acts of God, such as power surges
- Accidental damage
- Misuse
- Abuse
- Negligence

- Commercial purposes/use, including but not limited to use in a place of business or in communal areas of a multiple dwelling condominium or apartment complex, or otherwise used in a place of other than a private home.
- Modification of any part of the Product, including the antenna
- Display panel damaged by static (non-moving) images applied for lengthy periods (burn-in).
- Damage due to incorrect operation or maintenance
- Connection to an incorrect voltage or power supply
- Attempted repair by any person not authorized by Insignia to service the Product
- Products sold "as is" or "with all faults"
- Consumables, including but not limited to batteries (i.e. AA, AAA, C etc.)
- Products where the factory applied serial number has been altered or removed
- Loss or Theft of this product or any part of the product
- Display panels containing up to three (3) pixel failures (dots that are dark or incorrectly illuminated) grouped in an area smaller than one tenth (1/10) of the display size or up to five (5) pixel failures throughout the display. (Pixel based displays may contain a limited number of pixels that may not function normally.)
- Failures or Damage caused by any contact including but not limited to liquids, gels or pastes.

REPAIR OR REPLACEMENT AS PROVIDED UNDER THIS WARRANTY IS YOUR EXCLUSIVE REMEDY FOR BREACH OF WARRANTY. INSIGNIA SHALL NOT BE LIABLE FOR ANY INCIDENTAL OR CONSEQUENTIAL DAMAGES FOR THE BREACH OF ANY EXPRESS OR IMPLIED WARRANTY ON THIS PRODUCT, INCLUDING, BUT NOT LIMITED TO, LOST DATA, LOSS OF USE OF YOUR PRODUCT, LOST BUSINESS OR LOST PROFITS. INSIGNIA PRODUCTS MAKES NO OTHER EXPRESS WARRANTIES WITH RESPECT TO THE PRODUCT, ALL EXPRESS AND IMPLIED WARRANTIES FOR THE PRODUCT, INCLUDING, BUT NOT LIMITED TO, ANY IMPLIED WARRANTIES OF AND CONDITIONS OF MERCHANTABILITY AND FITNESS FOR A PARTICULAR PURPOSE, ARE LIMITED IN DURATION TO THE WARRANTY PERIOD SET FORTH ABOVE AND NO WARRANTIES, WHETHER EXPRESS OR IMPLIED, WILL APPLY AFTER THE WARRANTY PERIOD. SOME STATES, PROVINCES AND JURISDICTIONS DO NOT ALLOW LIMITATIONS ON HOW LONG AN IMPLIED WARRANTY LASTS, SO THE ABOVE LIMITATION MAY NOT APPLY TO YOU. THIS WARRANTY GIVES YOU SPECIFIC LEGAL RIGHTS, AND YOU MAY ALSO HAVE OTHER RIGHTS, WHICH VARY FROM STATE TO STATE OR PROVINCE TO PROVINCE.

Contact Insignia:

For customer service please call 1-877-467-4289

www.insigniaproducts.com

INSIGNIA is a trademark of Best Buy and its affiliated companies.

Registered in some countries.

Distributed by Best Buy Purchasing, LLC

7601 Penn Ave South, Richfield, MN 55423 U.S.A.

©2014 Best Buy. All rights reserved.

Made in China

INSIGNIA™

Part # 6907-002071 00

www.insigniaproducts.com 1-877-467-4289 (U.S. and Canada) or 01-800-926-3000 (Mexico)

INSIGNIA is a trademark of Best Buy and its affiliated companies.

Registered in some countries.

Distributed by Best Buy Purchasing, LLC

7601 Penn Ave South, Richfield, MN 55423 U.S.A.

©2014 Best Buy. All rights reserved.

Made in China

Download from Www.Somanuals.com. All Manuals Search And Download.

V2 ENGLISH
14-0745

Free Manuals Download Website

<http://myh66.com>

<http://usermanuals.us>

<http://www.somanuals.com>

<http://www.4manuals.cc>

<http://www.manual-lib.com>

<http://www.404manual.com>

<http://www.luxmanual.com>

<http://aubethermostatmanual.com>

Golf course search by state

<http://golfingnear.com>

Email search by domain

<http://emailbydomain.com>

Auto manuals search

<http://auto.somanuals.com>

TV manuals search

<http://tv.somanuals.com>