

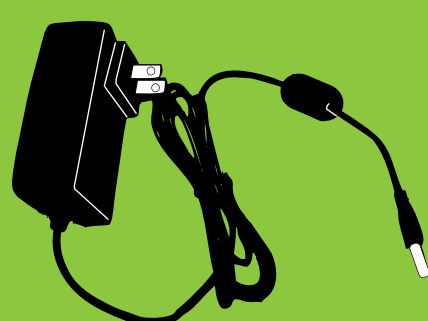
INSIGNIA™

19" 720p LED HDTV QUICK SETUP GUIDE

NS-19E310A13

Thank You

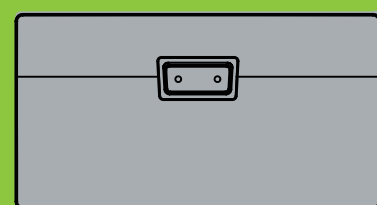
for purchasing this fine Insignia television.
We hope you enjoy the quality and reliability of this product for years to come.



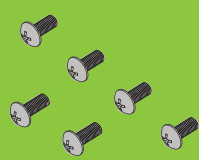
Power cable



Remote control and 2 AAA batteries



TV stand



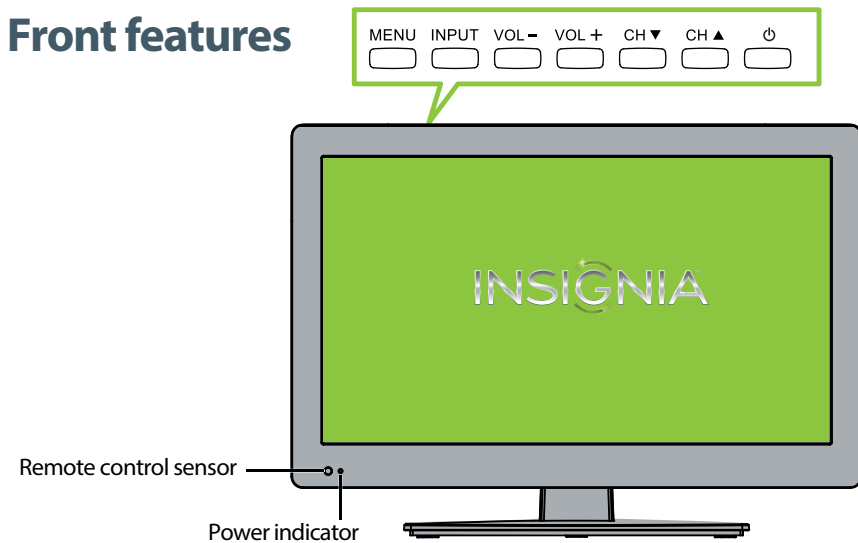
M4 type (10 mm length) (2 pcs)
M4 type (8 mm length) (4 pcs)

WE ARE GOING GREEN!

A copy of your User Guide is not provided in the box but is available online. Go to www.insigniaproducts.com, then click **Support & Service**. Enter your model number in the box under **Manual, Firmware, Drivers & Product Information**, then click ▶.

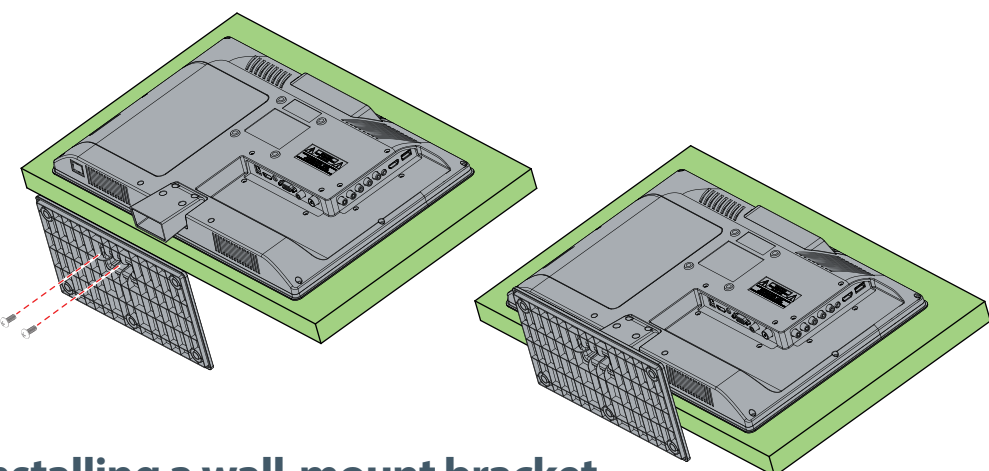


Front features



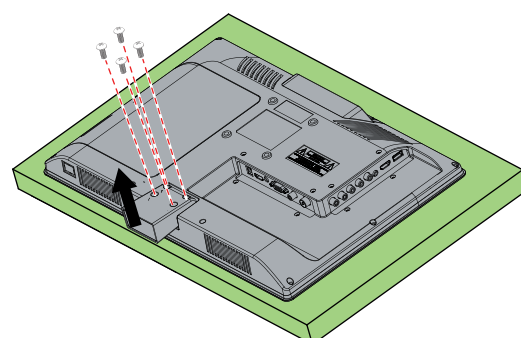
Installing the stand

- Carefully place your TV screen face-down on a cushioned, clean surface to protect the screen from damages and scratches.
- Secure the stand to the screen with the two provided screws.



Installing a wall-mount bracket

- Carefully place your TV screen face-down on a cushioned, clean surface to protect the screen from damages and scratches.
- Remove the four screws that secure the stand column, then remove the column.



- Attach the wall-mount bracket to your TV using the mounting holes on the back of your TV. See the instructions that came with the wall-mount bracket for information about how to correctly hang your TV.

Warning

This apparatus is intended to be supported by a UL Listed wall mount bracket.

Identifying cables

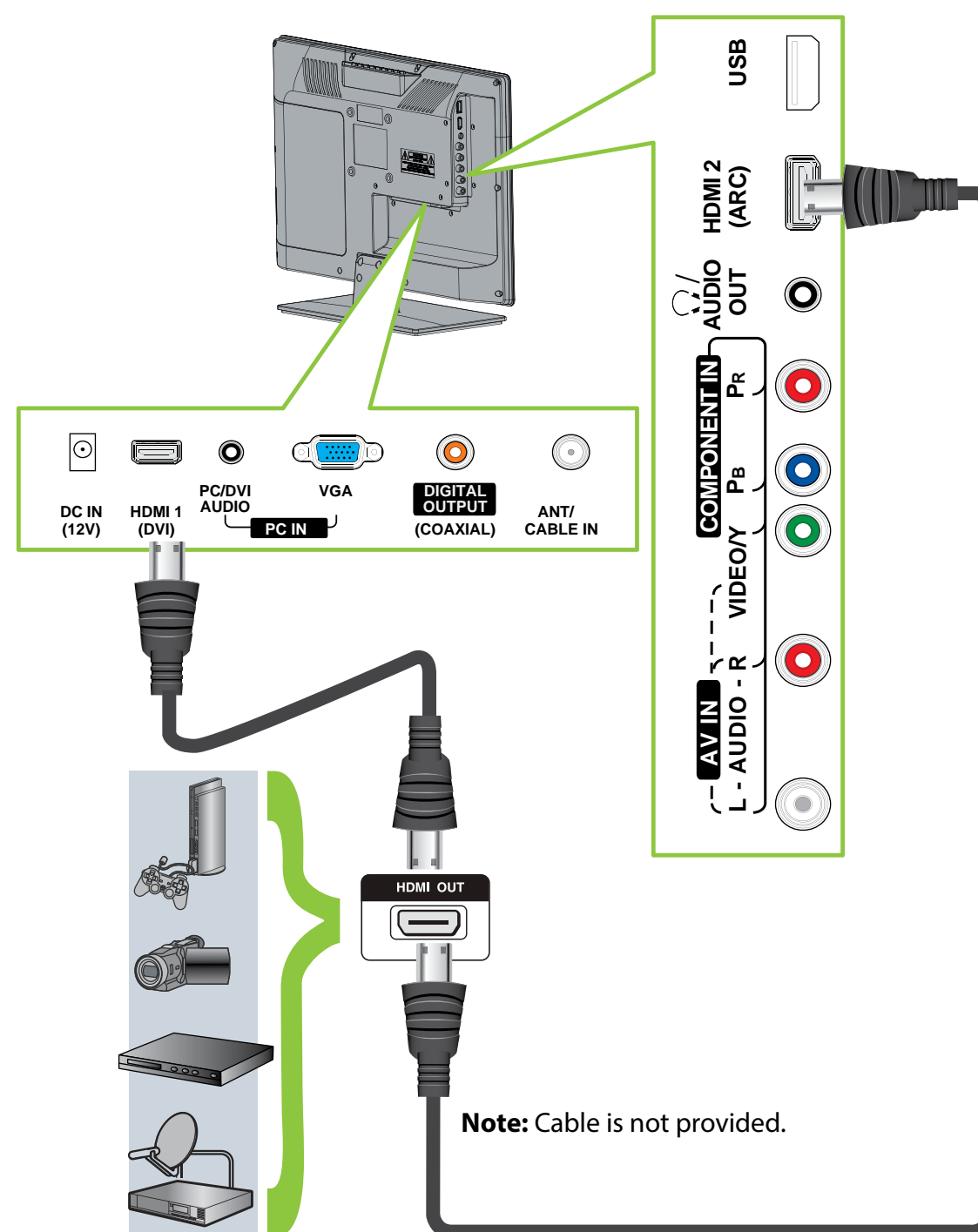
Your TV has several connection types for connecting devices. For the best video quality, connect a device to the best available connection.

Connection type	Video quality	Cable connector
HDMI video/audio	Best	
OR		
Component video and analog audio	Better	
OR		
Composite video and analog audio	Good	

You can use the HDMI 1(DVI) jack to connect a DVI device to your TV. You need to attach the HDMI-to-DVI adapter to the end of the HDMI cable that connects to the DVI device's jack.

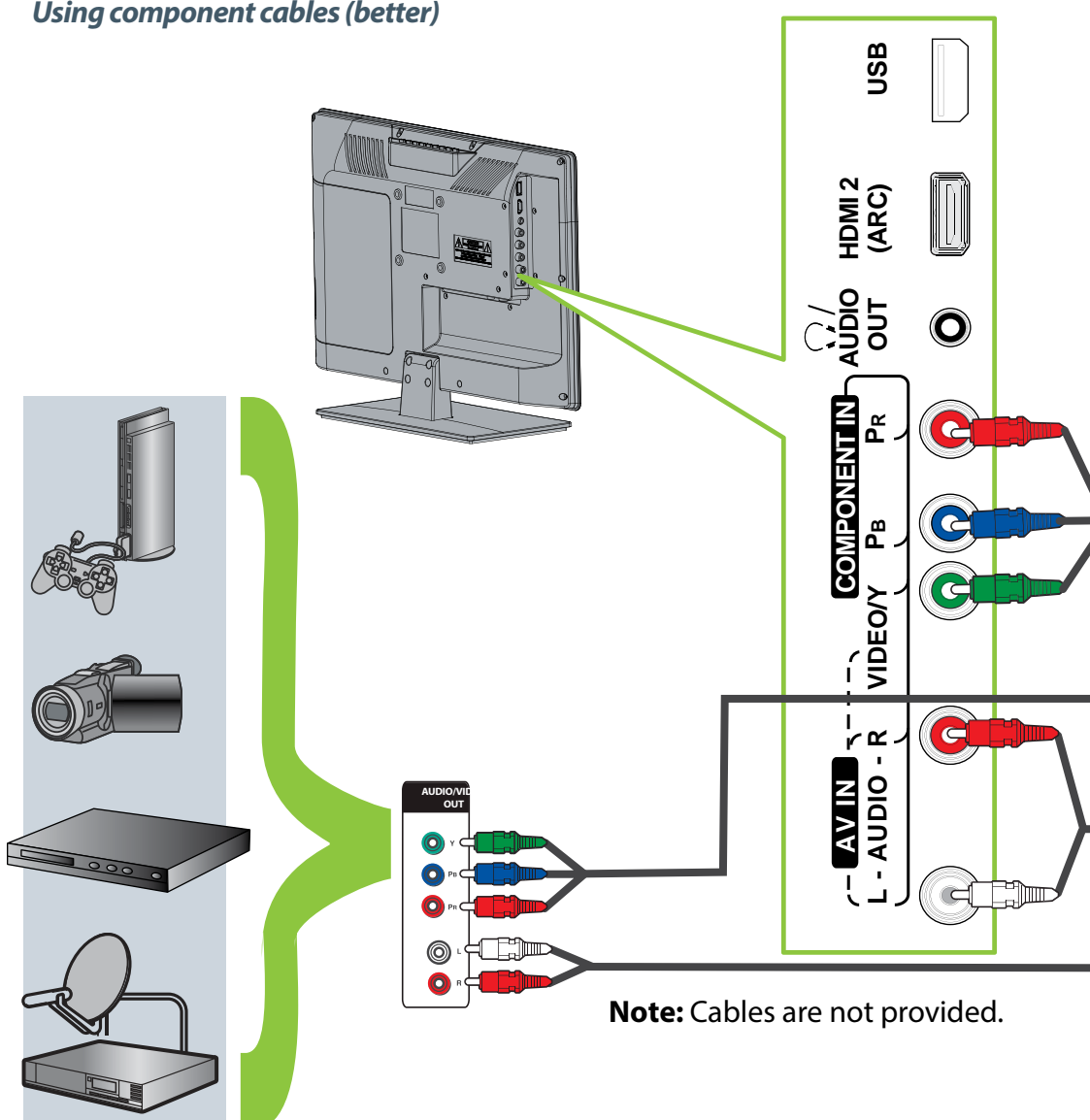
Connecting a DVD or Blu-ray disc player, cable box, satellite receiver, camcorder, or game station

Using an HDMI cable (best)



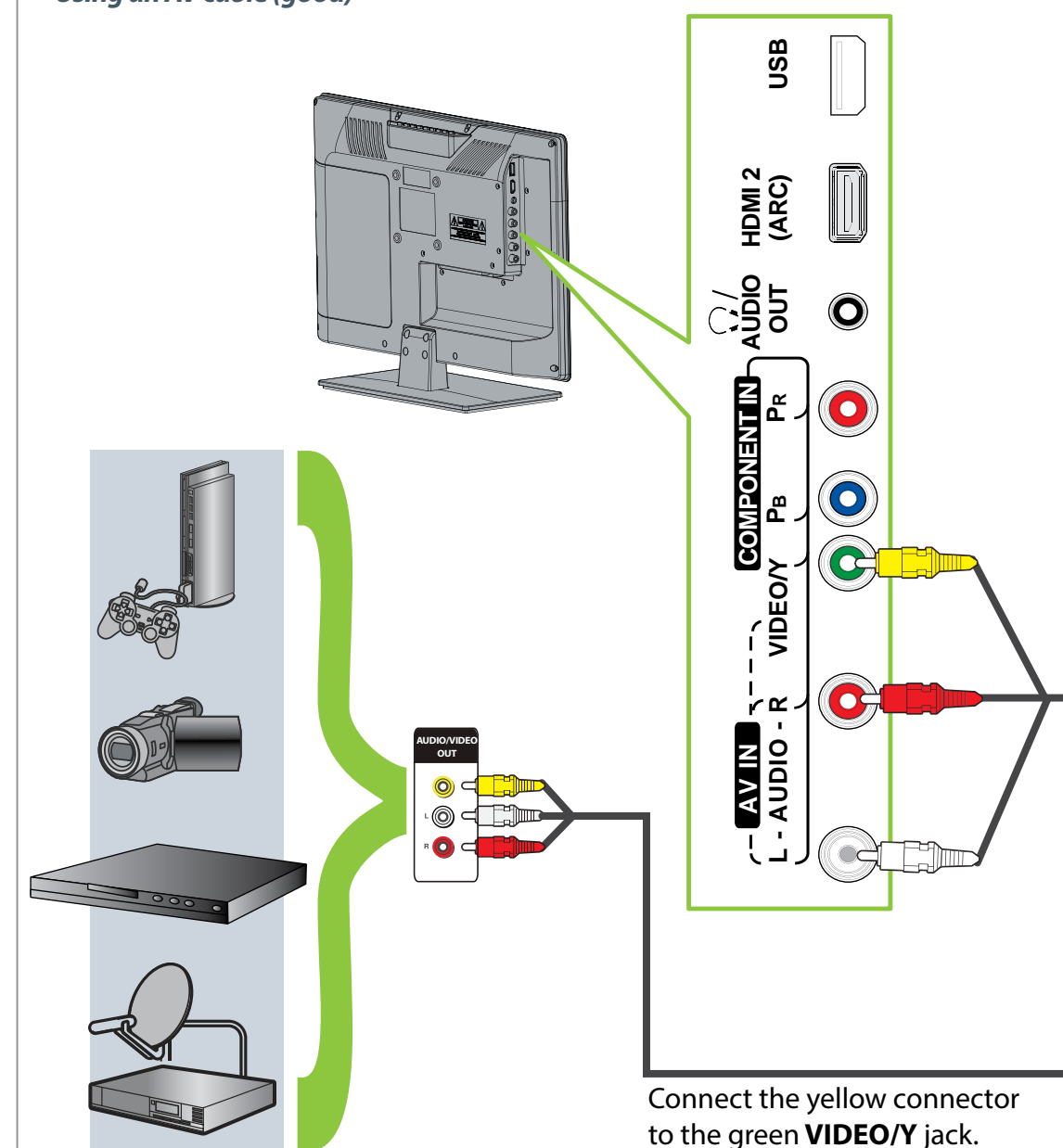
Note: Cable is not provided.

Using component cables (better)



Note: Cables are not provided.

Using an AV cable (good)

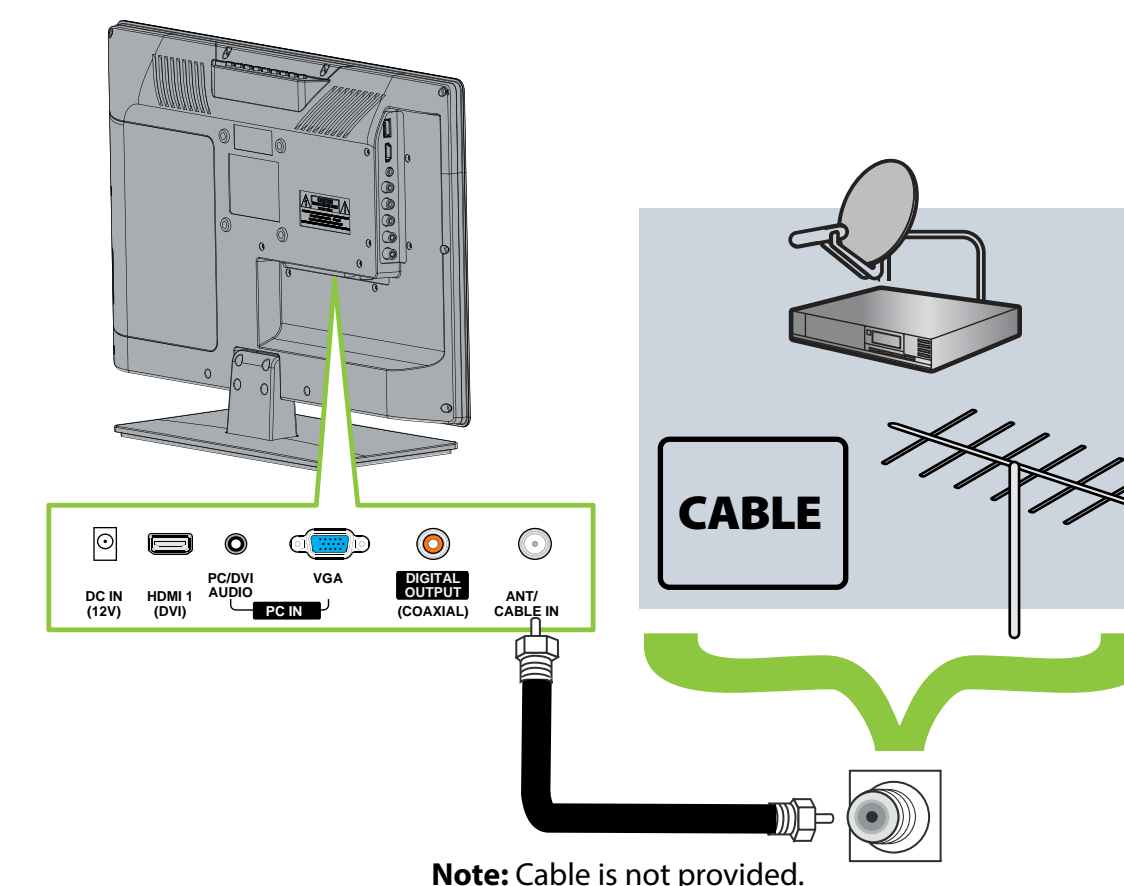


Connect the yellow connector to the green VIDEO/Y jack.

Note: Cable is not provided.

Connecting an antenna/cable wall jack

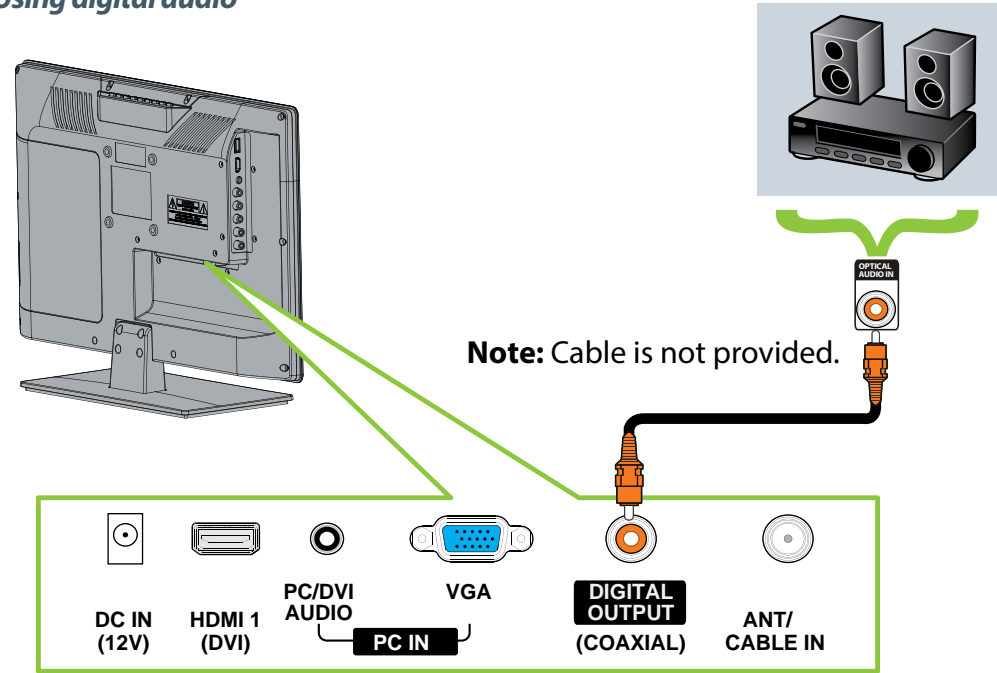
Connect a coaxial cable to the ANT/CABLE IN jack on the back of your TV and to the antenna/cable wall jack.



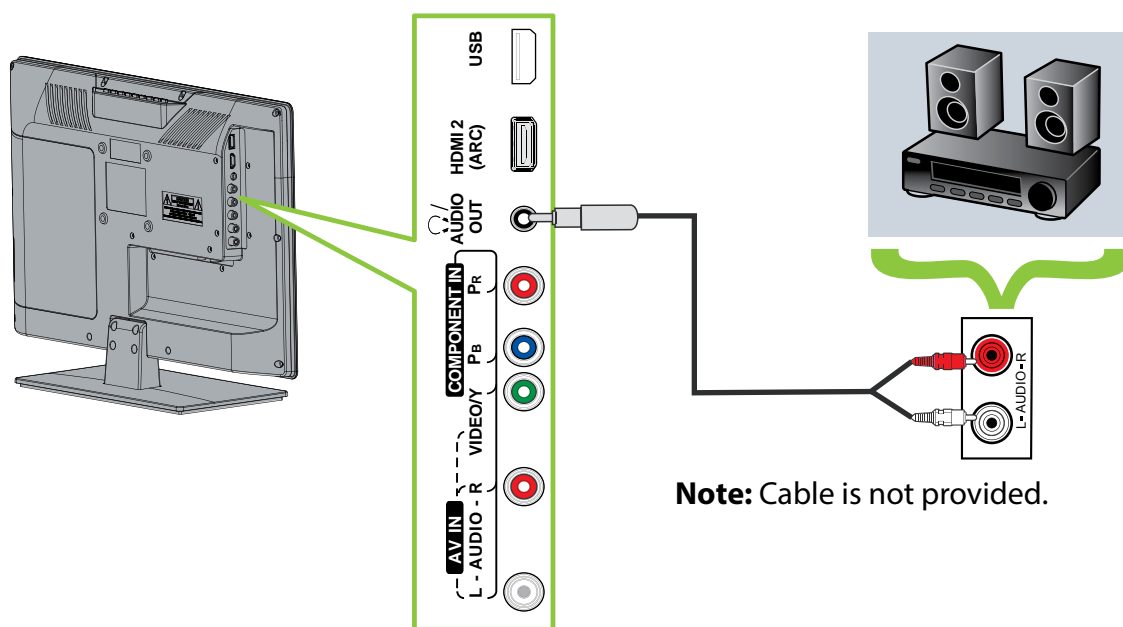
Note: Cable is not provided.

Connecting a home theater system

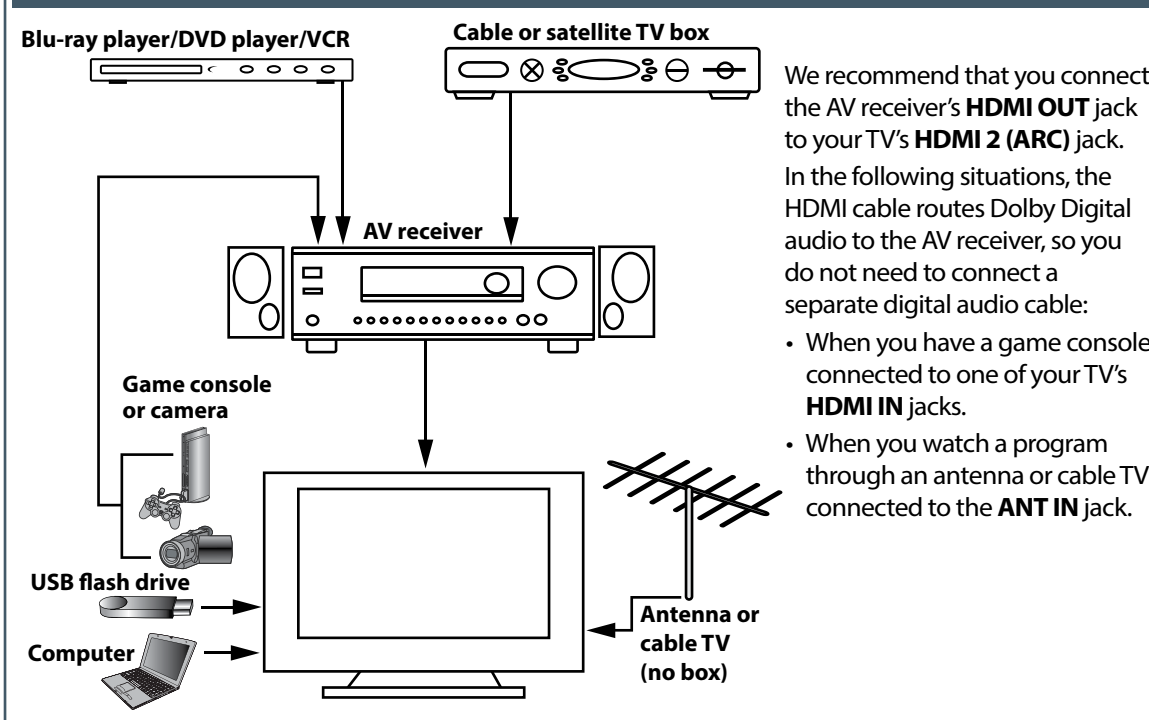
Using digital audio



Using analog audio

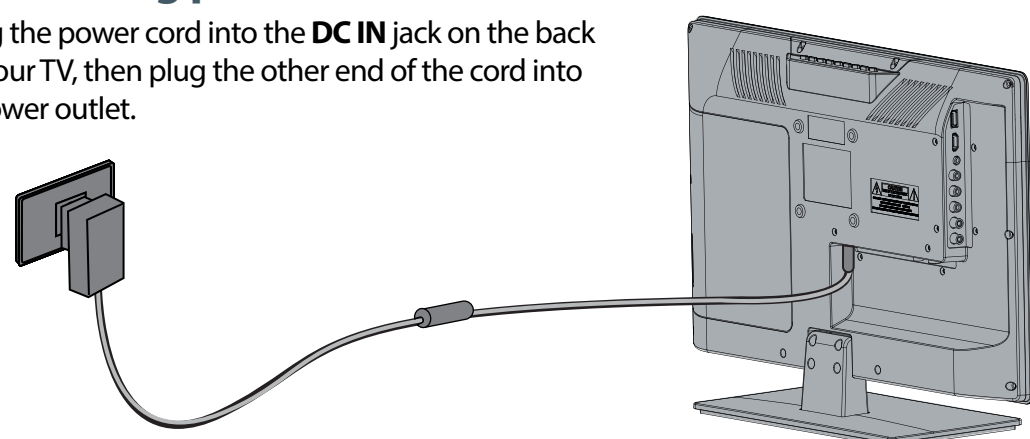


Connecting a home theater system with multiple devices



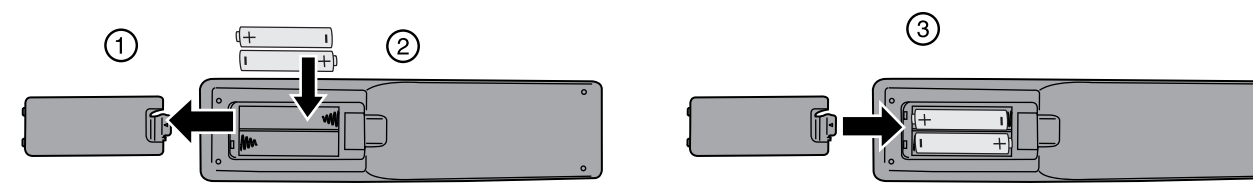
Connecting power

Plug the power cord into the **DC IN** jack on the back of your TV, then plug the other end of the cord into a power outlet.



Setting up and using your remote control

- 1 Press the release button on the back of the remote control to remove the battery compartment cover.
- 2 Insert two AAA batteries into the battery compartment. Make sure that the + and - symbols on the batteries match the + and - symbols in the battery compartment.
- 3 Replace the cover.



Input Source
TV
Comp/AV
HDMI 1
HDMI 2
VGA
USB



Aspect ratio options

- Normal:** Original aspect ratio is preserved. Black bars are present if content is not widescreen (16:9).
- Zoom:** Expands the image to fill the screen. The top and bottom of the image may be cropped.
- Wide:** Use this option to view content recorded in a 16:9 (wide-screen) aspect ratio.
- Cinema:** Stretches the image at the edges, but keeps a clear image in the center.
- Auto:** Automatically adjusts the image based on the screen size and the TV program. **Note:** Auto is only available when **Auto Zoom** in the **CHANNELS** menu is set to **On**.

Programming your remote control

To program your universal remote control to work with your new Insignia TV, see the table for common codes. If you have problems programming your remote or need a different remote control code, visit www.insigniaproducts.com for the latest remote control code information.

Universal remote controls				Universal remote TV codes								
One for All	Philips	RCA	Sony	Cablevision	Charter	Comcast	Cox	Direct TV	Dish Network	Time Warner	Tivo	Verizon
0054	0198, 0490	135	068, 069, 078, 096, 100, 164, 168, 229, 026	068, 069, 078, 096, 100, 164, 168, 229, 026	2002, 1204, 1423, 1517, 0171, 1963, 0463, 1463, 0842, 1326, 167, 415, 424, 450, 456, 461, 507, 523, 567, 577, 586	10171, 11204, 11326, 11463, 11517, 11641, 11780, 11785, 11892, 11963, 12002	1326, 1463	10171, 11204, 11326, 11517, 11564, 11641, 11963, 12002	720	400, 450, 461, 456, 10463, 1463, 0463	0091	0198, 0490

Turning on your TV for the first time

- 1 Connect your TV's power cord to the TV and a power outlet, then press **Power**. The *Choose Your Menu Language* screen opens.
- 2 Press **▲** or **▼** to highlight a language, then press **ENTER**. The *Choose Your Time Settings* screen opens.
- 3 Press **◀** or **▶** to select **Auto** or **Manual**. If you select **Auto**, the date and time are set automatically from a digital TV signal. If you select **Manual**, you can manually set the date and time. Press **ENTER**. The *Choose Your Picture Mode* screen opens.
- 4 Press **▲** or **▼** to highlight **Home Mode** or **Retail Mode**, then press **ENTER**. If you select **Retail Mode**, a message asks you to confirm your selection. Select **Yes** or **No**. **Retail Mode** is not an energy-saving mode. The *Choose Your TV Source* screen opens.
- 5 Press **▲** or **▼** to highlight **Antenna**, **Cable**, or **Satellite box**, then press **ENTER**.
 - A. If you select **Antenna**, your TV scans for available channels. The scan may take several minutes.
 - B. If you select **Cable**, a message asks if you have a cable box.
 - Select **No** if no cable box is connected. Your TV scans for available channels. The scan may take several minutes.
 - Select **Yes** if a cable box is connected. A message asks how you connected the cable box to your TV:
 - Select **AV, Component, or HDMI** if you connected a cable box to your TV using one of these cables. Read the message, then press **ENTER** to close the wizard.
 - Select **Coaxial** if you connected a cable box to your TV using a coaxial cable. Read the message, then press **ENTER** to start the channel scan (VHF channels only).
 - C. If you select **Satellite box**, a message asks how you connected the satellite box to your TV:
 - Select **AV, Component, or HDMI** if you connected a satellite box to your TV using one of these cables. Read the message, then press **ENTER** to close the wizard.
 - Select **Coaxial** if you connected a satellite box to your TV using a coaxial cable. Read the message, then press **ENTER** to start the channel scan (VHF channels only).

- Power:** Turns your TV on or off.
- INPUT:** Opens the INPUT SOURCE list.
- Numbers (1-9, 0):** Enter channel numbers. Enters a digital sub-channel number (for example 4.1).
- ENTER:** Confirms selections or changes.
- MENU:** Opens the on-screen menu.
- EXIT:** Closes the on-screen menu.
- ASPECT:** Changes how the picture is displayed on the screen.
- VOLUME (+/-):** Changes the volume.
- SLEEP:** Sets the sleep timer.
- FAVORITE:** Opens the Favorite Channel List.
- INlink media controls:** Control HDMI-CEC devices connected to your TV.
- RECALL:** Returns to the previous channel.
- Arrows:** Navigate in on-screen menus.
- HOME:** Opens the on-screen menu.
- INFO*:** Opens a TV status banner.
- CCD:** Turns closed captioning on or off.
- MUTE:** Mutes the sound.
- Channel:** Changes the TV channels.
- MTS/SAP:** ATV - Cycles through mono, stereo, and secondary audio for analog programs. DTV - Selects the audio language from current channel.
- PICTURE:** Selects the picture mode.
- AUDIO:** Selects the audio mode.



One-year limited warranty
Visit www.insigniaproducts.com for details.

Need additional help?
See your online *User Guide*! This comprehensive guide includes everything from basic how-to steps to more advanced features. A copy of your *User Guide* is not provided in the box but is available online. Go to www.insigniaproducts.com, then click **Support & Service**. Enter your model number in the box under **Manual, Firmware, Drivers & Product Information**, then click **▶**.
Check out our **online community forum** at www.insigniaproducts.com for helpful information from other Insignia TV owners.

We're here for you
www.insigniaproducts.com
For customer service, call:
877-467-4289 (U.S./Canada markets)

INSIGNIA is a registered trademark of BBY Solutions, Inc. Registered in some countries. Distributed by Best Buy Purchasing, LLC, 7601 Penn Ave South, Richfield, MN 55423 U.S.A.

©2013 BBY Solutions, Inc. All Rights Reserved
1-877-467-4289
www.insigniaproducts.com

WE ARE GOING GREEN!
A copy of your *User Guide* is not provided in the box but is available online. Go to www.insigniaproducts.com, then click **Support & Service**. Enter your model number in the box under **Manual, Firmware, Drivers & Product Information**, then click **▶**.

Free Manuals Download Website

<http://myh66.com>

<http://usermanuals.us>

<http://www.somanuals.com>

<http://www.4manuals.cc>

<http://www.manual-lib.com>

<http://www.404manual.com>

<http://www.luxmanual.com>

<http://aubethermostatmanual.com>

Golf course search by state

<http://golfingnear.com>

Email search by domain

<http://emailbydomain.com>

Auto manuals search

<http://auto.somanuals.com>

TV manuals search

<http://tv.somanuals.com>