

# **Quick Reference Guide**

## **EES-5716**

### **Intel Pentium M/Celeron M Processors Mini PC**

1<sup>st</sup> Ed. - 10 June 2004

P/N: 2017571620

## **FCC STATEMENT**

THIS DEVICE COMPLIES WITH PART 15 FCC RULES. OPERATION IS SUBJECT TO THE FOLLOWING TWO CONDITIONS:

- (1) THIS DEVICE MAY NOT CAUSE HARMFUL INTERFERENCE.
- (2) THIS DEVICE MUST ACCEPT ANY INTERFERENCE RECEIVED INCLUDING INTERFERENCE THAT MAY CAUSE UNDESIRE OPERATION.

THIS EQUIPMENT HAS BEEN TESTED AND FOUND TO COMPLY WITH THE LIMITS FOR A CLASS "A" DIGITAL DEVICE, PURSUANT TO PART 15 OF THE FCC RULES.

THESE LIMITS ARE DESIGNED TO PROVIDE REASONABLE PROTECTION AGAINST HARMFUL INTERFERENCE WHEN THE EQUIPMENT IS OPERATED IN A COMMERCIAL ENVIRONMENT. THIS EQUIPMENT GENERATES, USES, AND CAN RADIATE RADIO FREQUENCY ENERGY AND, IF NOT INSTALLED AND USED IN ACCORDANCE WITH THE INSTRUCTION MANUAL, MAY CAUSE HARMFUL INTERFERENCE TO RADIO COMMUNICATIONS.

OPERATION OF THIS EQUIPMENT IN A RESIDENTIAL AREA IS LIKELY TO CAUSE HARMFUL INTERFERENCE IN WHICH CASE THE USER WILL BE REQUIRED TO CORRECT THE INTERFERENCE AT HIS OWN EXPENSE.

## **Notice:**

This guide is designed for experienced users to setup the system within the shortest time. For detailed information, please always refer to the electronic user's manual.

## **Copyright Notice**

Copyright © 2001-2004, Evaluate Technology Inc., ALL RIGHTS RESERVED.

No part of this document may be reproduced, copied, translated, or transmitted in any form or by any means, electronic or mechanical, for any purpose, without the prior written permission of the original manufacturer.

## **Trademark Acknowledgement**

Brand and product names are trademarks or registered trademarks of their respective owners.

## **Disclaimer**

Evaluate Technology Inc. reserves the right to make changes, without notice, to any product, including circuits and/or software described or contained in this manual in order to improve design and/or performance. Evaluate Technology assumes no responsibility or liability for the use of the described product(s), conveys no license or title under any patent, copyright, or mask work rights to these products, and makes no representations or warranties that these products are free from patent, copyright, or mask work right infringement, unless otherwise specified. Applications that are described in this manual are for illustration purposes only. Evaluate Technology Inc. makes no representation or warranty that such application will be suitable for the specified use without further testing or modification.

## **Life Support Policy**

Evalue Technology' s PRODUCTS ARE NOT FOR USE AS CRITICAL COMPONENTS IN LIFE SUPPORT DEVICES OR SYSTEMS WITHOUT THE PRIOR WRITTEN APPROVAL OF Evalue Technology Inc.

As used herein:

1. Life support devices or systems are devices or systems which, (a) are intended for surgical implant into body, or (b) support or sustain life and whose failure to perform, when properly used in accordance with instructions for use provided in the labelling, can be reasonably expected to result in significant injury to the user.
2. A critical component is any component of a life support device or system whose failure to perform can be reasonably expected to cause the failure of the life support device or system, or to affect its safety or effectiveness.

## **A Message to the Customer**

### **Evalue Customer Services**

Each and every Evalue's product is built to the most exacting specifications to ensure reliable performance in the harsh and demanding conditions typical of industrial environments. Whether your new Evalue device is destined for the laboratory or the factory floor, you can be assured that your product will provide the reliability and ease of operation for which the name Evalue has come to be known.

Your satisfaction is our primary concern. Here is a guide to Evalue' s customer services. To ensure you get the full benefit of our services, please follow the instructions below carefully.

## Technical Support

We want you to get the maximum performance from your products. So if you run into technical difficulties, we are here to help. For the most frequently asked questions, you can easily find answers in your product documentation. These answers are normally a lot more detailed than the ones we can give over the phone. So please consult the user's manual first.

To receive the latest version of the user's manual, please visit our Web site at:

<http://www.evaluate-tech.com/>

If you still cannot find the answer, gather all the information or questions that apply to your problem, and with the product close at hand, call your dealer. Our dealers are well trained and ready to give you the support you need to get the most from your Evaluate's products. In fact, most problems reported are minor and are able to be easily solved over the phone.

In addition, free technical support is available from Evaluate's engineers every business day. We are always ready to give advice on application requirements or specific information on the installation and operation of any of our products. Please do not hesitate to call or e-mail us.

### Headquarters

#### Evaluate Technology Inc.

7F, 228, Lian-cheng Road,  
Chung Ho City, Taipei,  
Taiwan

Tel : +886-2-8226-2345

Fax : +886-2-8226-2777

<http://www.evaluate-tech.com>

E-mail: [service@evaluate-tech.com](mailto:service@evaluate-tech.com)

### Europe Branch Office

#### Evaluate Europe A/S

Nordre Strandvej 119C,  
3150 Hellebaek,  
Denmark

Tel : +45-7025-0310

Fax : +45-4975-5026

<http://www.evaluate-tech.com>

E-mail: [service.europe@evaluate-tech.com](mailto:service.europe@evaluate-tech.com)

### China Branch Office

#### Evaluate Technology Shanghai Inc.

Room 909, 9F, Section B, No.900,  
Yisan Road, Caohejing Hi-tech Park,  
Shanghai 200233, China

Tel : +86-21-5423-4170

Fax : +86-21-5423-4171

<http://www.evaluate-tech.com>

E-mail: [service.china@evaluate-tech.com](mailto:service.china@evaluate-tech.com)

### US Branch Office

#### Evaluate Technology Inc.

Suite 210, 200 Tornillo Way,  
Tinton Falls, NJ 07712  
USA

Tel: +1-732-578-0200

Fax: +1-732-578-0250

<http://www.evaluate-tech.com>

E-mail: [service.usa@evaluate-tech.com](mailto:service.usa@evaluate-tech.com)

## Product Warranty

Evalue warrants to you, the original purchaser, that each of its products will be free from defects in materials and workmanship for two years from the date of purchase.

This warranty does not apply to any products which have been repaired or altered by persons other than repair personnel authorized by Evalue, or which have been subject to misuse, abuse, accident or improper installation. Evalue assumes no liability under the terms of this warranty as a consequence of such events. Because of Evalue's high quality-control standards and rigorous testing, most of our customers never need to use our repair service. If any of Evalue's products is defective, it will be repaired or replaced at no charge during the warranty period. For out-of-warranty repairs, you will be billed according to the cost of replacement materials, service time, and freight. Please consult your dealer for more details. If you think you have a defective product, follow these steps:

1. Collect all the information about the problem encountered. (For example, CPU type and speed, Evalue's products model name, hardware & BIOS revision number, other hardware and software used, etc.) Note anything abnormal and list any on-screen messages you get when the problem occurs.
2. Call your dealer and describe the problem. Please have your manual, product, and any helpful information available.
3. If your product is diagnosed as defective, obtain an RMA (return material authorization) number from your dealer. This allows us to process your good return more quickly.
4. Carefully pack the defective product, a complete Repair and Replacement Order Card and a photocopy proof of purchase date (such as your sales receipt) in a shippable container. A product returned without proof of the purchase date is not eligible for warranty service.
5. Write the RMA number visibly on the outside of the package and ship it prepaid to your dealer.

## Packing List

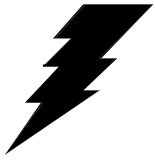
Before you begin installing your single board, please make sure that the following materials have been shipped:

- 1 Hardware platform for EES-5716
- 1 Quick Installation Guide for ECM-5716
- 1 Quick Reference Guide for EES-5716
- 1 Support CD
- 1 CPU cooler
- 1 Cable for KB/Mouse
- 1 IDE Cable
- 4 Screw for fix HDD
- 1 Power Cord

If any of these items are missing or damaged, please contact your distributor or sales representative immediately.

## 1. Safety Precautions

### 1.1 Warning!



Always completely disconnect the power cord from your chassis whenever you work with the hardware. Do not make connections while the power is on. Sensitive electronic components can be damaged by sudden power surges. Only experienced electronics personnel should open the PC chassis.

### 1.2 Caution!



Always ground yourself to remove any static charge before touching the CPU card. Modern electronic devices are very sensitive to static electric charges. As a safety precaution, use a grounding wrist strap at all times. Place all electronic components in a static-dissipative surface or static-shielded bag when they are not in the chassis.



## 2. Specifications

### 2.1 General Introduction

| <b>EES-5716</b>                     |  |
|-------------------------------------|--|
| <b>Construction</b>                 |  |
| Install Main Board                  | ECM-5716 with Pentium-M 1.1/1.6Ghz CPU (Socket type: FC-478)       |
| System Memory                       | One DDR SDRAM socket supports up to 1 Gbytes DDR 333/266/200 SDRAM |
| Driver Bay                          | Holds one internal 3.5" HDD  |
| SSD                                 | Bottom cover for install CF card                                   |
| System Indicators                   | 2 LED indicators show the status for Power and HDD                 |
| Controls                            | Rear panel power switch  |
| Expansion Slot                      | PCI x 1; PCMCIA x 1  |
| Safety                              | Meets UL 1950 D3/CSA 22.2 No.234/ VDE EN60950 standards            |
| EMI                                 | Meets CE, FCC standards  |
| <b>External Multi I/O</b>           |  |
| COM Port                            | 2x DB-9 (1x RS-232; 1x RS-232/422/485)                             |
| LAN Port                            | 2x RJ45  |
| VGA / DVI Port                      | 1x DB-15 / DVI 24-pin x 1 (optional)                               |
| LCD Interface                       | LVDS interface with SCSI 32-pin/ connector (optional)              |
| Audio Port                          | Mic.-in, Line-in, Lin-out  |
| USB Port                            | 4x USB2.0  |
| IEEE 1394 Port                      | 1x 1394  |
| Parallel Port                       | 1x DB-25   |
| Mouse & KB                          | 1x PS/2  |
| <b>Environment &amp; Mechanical</b> |  |
| Power Supply                        | 60W open frame ATX power supply                                    |
| Operating Temp.                     | 0~45   |
| Storage Temp.                       | -20~75   |
| Dimension (W x H x D)               | 387 x 71 x 262 mm  |
| Material                            | Heavy-duty steel   |
| Weight                              | 4.6Kgs (10.12lbs)  |
| Mounting                            | Desktop  |

EES-5716

## 2.2 Product Photo



Front View



Rear View

## 2.3 Installation Notice

### 2.3.1 Installing HDD

EES-5716 can be installed one 3.5" HDD as photos.



Photo 1



Photo 2

1. Hard Disk combines with Rack (with 4-screw at left and right side), then fix the rack to chassis bottom as photo 1 & 2.
2. Hard Disk signal pin position is as photo 2.

### 2.3.2 Installing PCI Card

The card of PCB size must be less 230 x 105 mm. The size excludes golden finger and external port.

### 2.3.3 Install CompactFlash Card

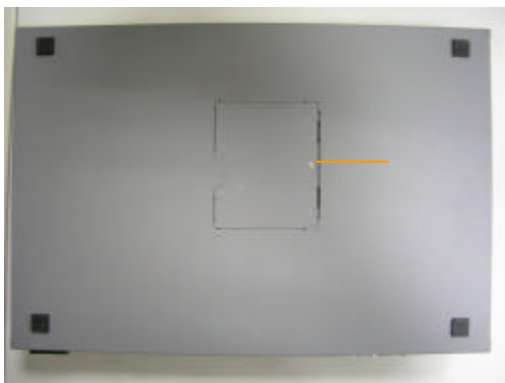


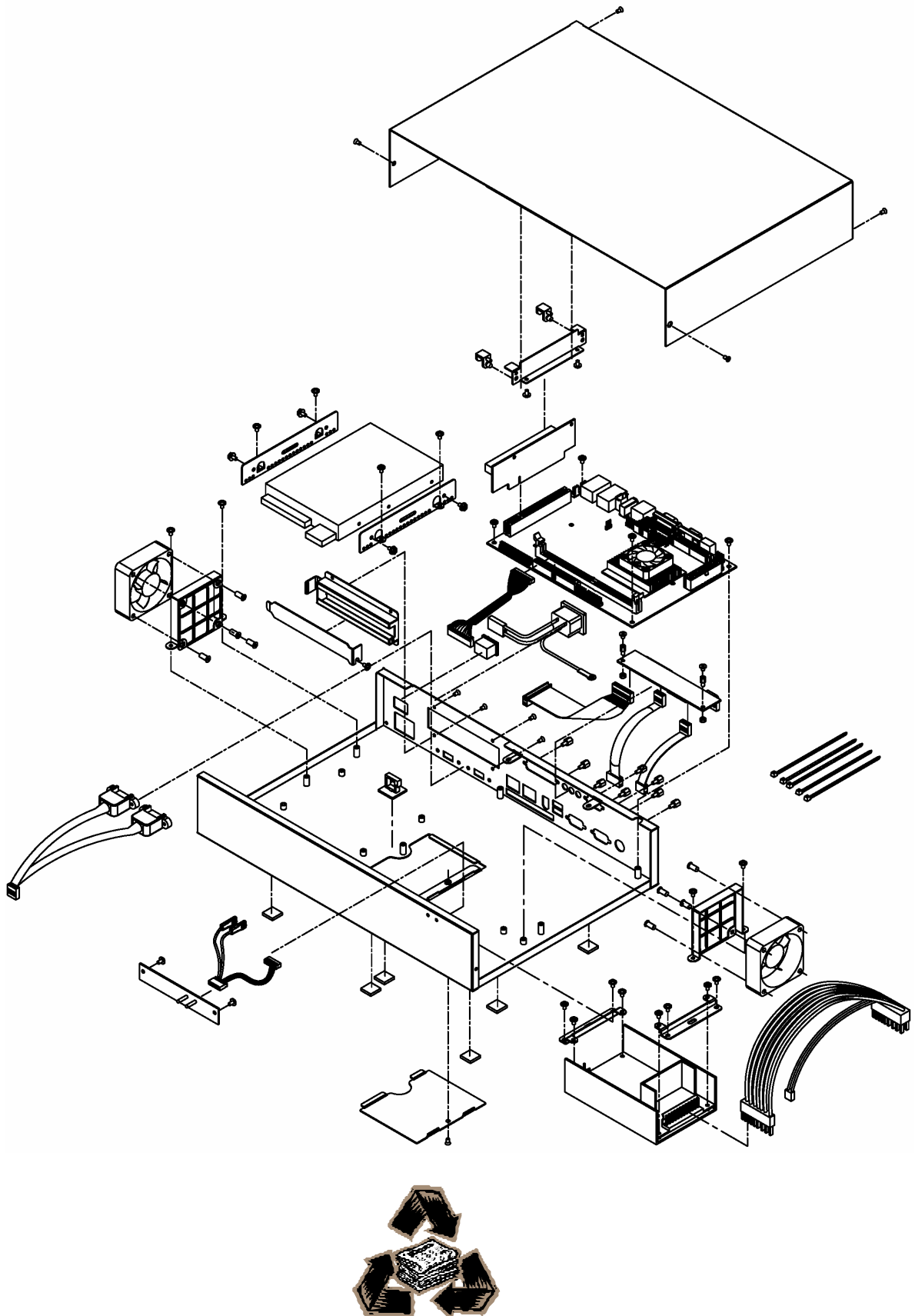
Photo 1



Photo 2

1. Remove the screw and open the cover as photo 1 & 2.
2. According the direction to Install CF card as photo 2.

## 2.4 Assemblage Drawing



## Free Manuals Download Website

<http://myh66.com>

<http://usermanuals.us>

<http://www.somanuals.com>

<http://www.4manuals.cc>

<http://www.manual-lib.com>

<http://www.404manual.com>

<http://www.luxmanual.com>

<http://aubethermostatmanual.com>

Golf course search by state

<http://golfingnear.com>

Email search by domain

<http://emailbydomain.com>

Auto manuals search

<http://auto.somanuals.com>

TV manuals search

<http://tv.somanuals.com>