

Hygienic Shower Chair



Assembly, Installation and Operating Instructions

Model Nos. 1362 (w/o Back) 1363 (w/Back)

Yes, you can!

SAVE THESE INSTRUCTIONS

NOTE: Check ALL parts for shipping damage before use. In case of damage, DO NOT use. Contact Carrier/Dealer for further instruction.

SAFETY SUMMARY

To ensure the safe installation of the hygienic shower chair, these instructions **MUST** be followed:

GENERAL WARNINGS

DO NOT install this equipment without first reading and understanding this instruction sheet. If you are unable to understand these **Warnings, Cautions and Instructions**, contact a healthcare professional, dealer or technical personnel if applicable before attempting to install this equipment - otherwise, injury or damage may occur.

Rubber Tips **MUST** be in contact with tub floor at all times.

Always inspect the Hygienic Shower Chair to ensure that it is properly positioned and stable before using. **DO NOT** use if Hygienic Shower Chair is wobbly or unstable.

Check rubber tips for rips, tears, cracks or wear. If any of these conditions exist, replace rubber tips immediately.

This product should only be used with tub floors wider than 17-1/2 inches.

Users with limited physical capabilities should be supervised or assisted when using the Hygienic Shower Chair.

The Hygienic Shower Chair has a weight limitation of 250 lbs. (114 kg.).

Shower Chair is **NOT** to be used as a transfer bench or transfer device.

INSTALLATION WARNINGS

Cutouts of both legs must be aligned as shown in **FIGURE 2** for a safe and proper assembly - otherwise, bodily injury may occur.

Ensure that the snap buttons fully protrude through the same respective adjustment hole of each adjustable leg before using. This ensures that the adjustable legs are securely locked in position and an even height adjustment is achieved.

After **ANY** adjustments, repair or service and **BEFORE** use, make sure that all attaching hardware is tightened securely.

ASSEMBLING THE BACK (FIGURE 1)

NOTE: If your Hygienic Shower Chair does not have a back, proceed to [ASSEMBLING THE LEGS](#) in this instruction sheet.

NOTE: Refer to [INSTALLATION WARNINGS](#) in the [SAFETY SUMMARY](#) in this instruction sheet.

1. Remove all contents from the package.
2. Insert the back support tube into the back as shown in FIGURE 1.
3. Install mounting screw through back and back support tube and securely tighten. Repeat STEPS 2 - 3 for opposite side.
4. Refer to [ASSEMBLING THE LEGS](#) in this instruction sheet.

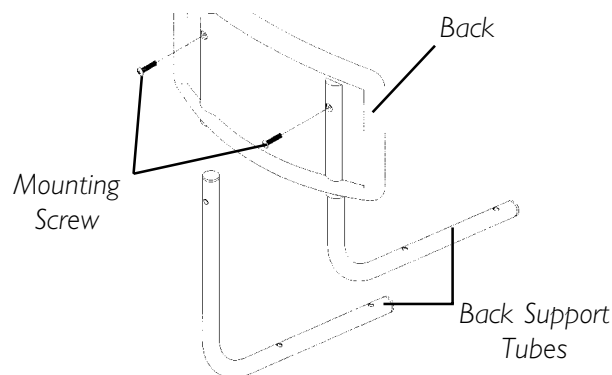


FIGURE 1 - ASSEMBLING THE BACK

ASSEMBLING THE LEGS (FIGURES 2 AND 3)

NOTE: Refer to [INSTALLATION WARNINGS](#) in the [SAFETY SUMMARY](#) in this instruction sheet.

1. Position top leg over bottom leg aligning cutouts of both legs. Refer to FIGURE 2.

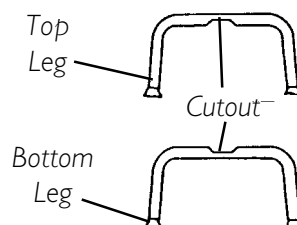


FIGURE 2 - ASSEMBLING THE LEGS - TOP AND BOTTOM LEG POSITION

2. Install mounting screw through flat washer, top leg, bottom leg and lock washer. Secure with wing nut. Refer to FIGURE 3.
3. Refer to [ATTACHING LEGS TO THE SEAT](#) in this instruction sheet.

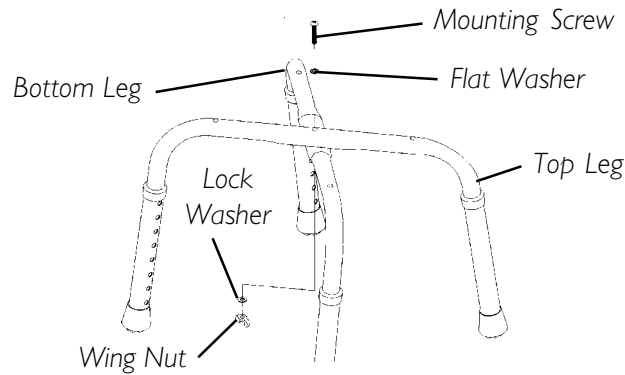


FIGURE 3 - ASSEMBLING THE LEGS

ATTACHING LEGS TO THE SEAT

NOTE: Refer to INSTALLATION WARNINGS in the SAFETY SUMMARY in this instruction sheet.

WITHOUT BACK (FIGURE 4)

1. Place seat upside down on ground/floor.
2. Align seat legs with seat.
3. Loosely install the four (4) screws through the seat legs and into seat.
4. Once all screws are inserted, torque to 12-15-inch pounds.
5. Refer to ADJUSTING THE LEG EXTENSIONS in this instruction sheet.

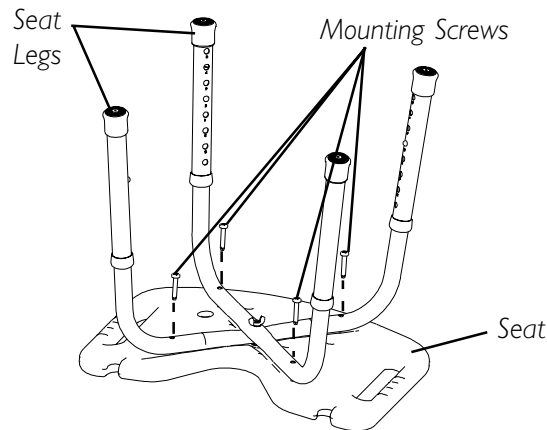


FIGURE 4 - ATTACHING LEGS TO THE SEAT - WITHOUT BACK

WITH BACK (FIGURE 5)

1. Place seat upside down on ground/floor.
2. Align seat legs with seat.
3. Align back support tubes above the seat legs as shown in FIGURE 5.
4. Loosely install the four (4) mounting screws through the back support tubes, seat legs and into seat.
5. Once all mounting screws are inserted, torque to 12-15-inch pounds.
6. Refer to ADJUSTING LEG EXTENSIONS in this instruction sheet.

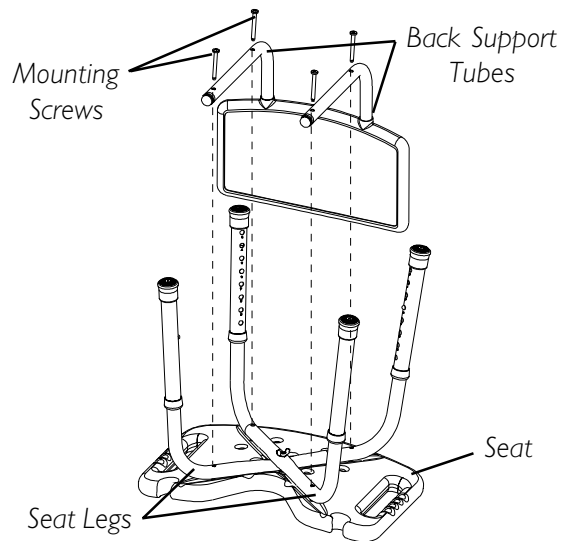


FIGURE 5 - ATTACHING LEGS TO THE SEAT - WITH BACK

ADJUSTING LEG EXTENSIONS (FIGURE 6)

NOTE: Refer to INSTALLATION WARNINGS in the SAFETY SUMMARY in this instruction sheet.

1. Select one (1) of the eight (8) adjustment holes located on the lower leg frame.

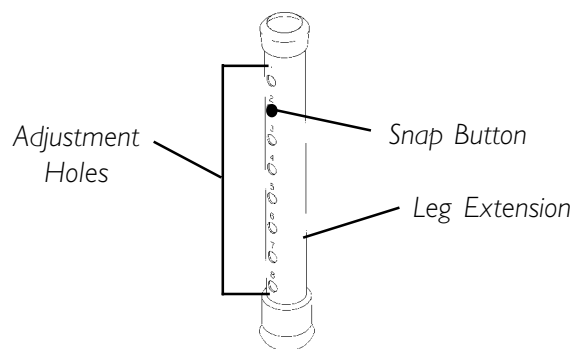
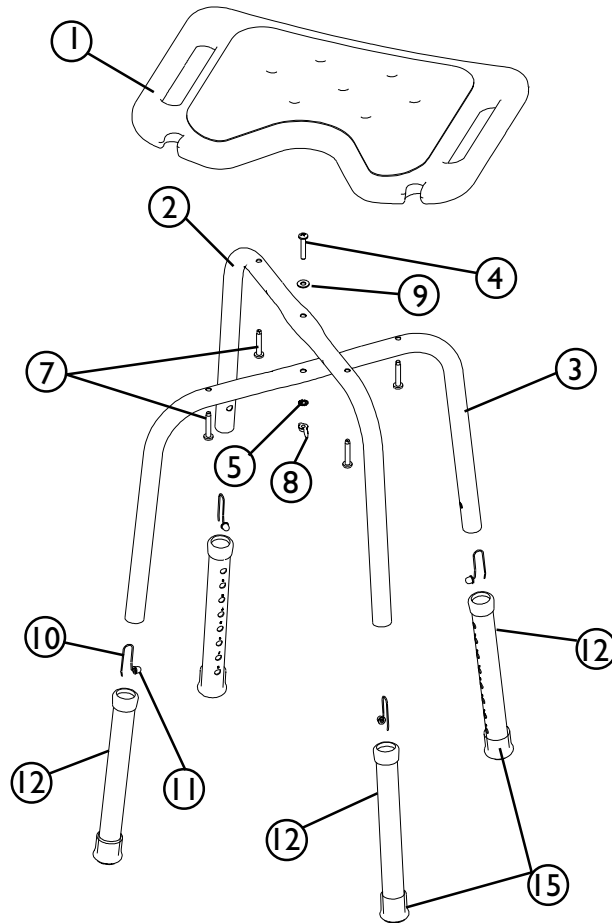


FIGURE 6 - ADJUSTING LEG EXTENSIONS

2. Depress the snap button and slide the adjustable legs up or down to the desired height.
3. Ensure that the snap buttons fully protrude through the same respective adjustment hole of each leg extension.
4. Repeat STEPS 2 - 3 for the other legs.
5. Make sure all four (4) legs are adjusted to the same height so that the Hygienic Shower Chair sits level.

MODEL NO. 1362 (W/O BACK)

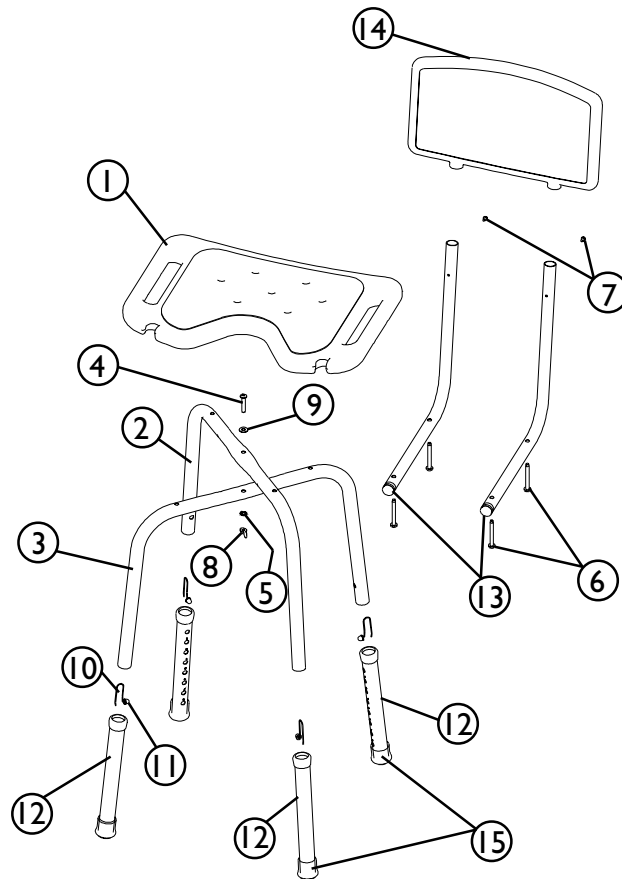


ITEM	DESCRIPTION	1362	1363
1	Seat	1	1
2	Top Leg	1	1
3	Bottom Leg	1	1
4	Pn Hd Screw	1	1
5	Lock Washer	1	1
6	Pn Hd Screw	N/A	4
7	Tapping Pn Hd Screw	4	N/A
8	Wing Nut	1	1
9	Flat Washer	1	1
10	Release Spring	4	4
11	Snap Button	4	4
12	Leg Extension Assembly	4	4
13	7/8 Universal Plug	N/A	2
14	Back Rest	N/A	1
15	Rubber Tips	4	4
16	Pn Hd Screw	N/A	2

NOTE: For MODEL 1362, hardware package includes items 4,5,7,8 and 9.

For MODEL 1363, hardware package includes items 4,5,6,8,9 and 16.

MODEL NO. 1363 (W/ BACK)



ITEM	DESCRIPTION	1362	1363
1	Seat	1	1
2	Top Leg	1	1
3	Bottom Leg	1	1
4	Pn Hd Screw	1	1
5	Lock Washer	1	1
6	Pn Hd Screw	N/A	4
7	Tapping Pn Hd Screw	4	N/A
8	Wing Nut	1	1
9	Flat Washer	1	1
10	Release Spring	4	4
11	Snap Button	4	4
12	Leg Extension Assembly	4	4
13	7/8 Universal Plug	N/A	2
14	Back Rest	N/A	1
15	Rubber Tips	4	4
16	Pn Hd Screw	N/A	2

NOTE: For MODEL 1362, hardware package includes items 4,5,7,8 and 9.

For MODEL 1363, hardware package includes items 4,5,6,8,9 and 16.

LIMITED WARRANTY

PLEASE NOTE: THE WARRANTY BELOW HAS BEEN DRAFTED TO COMPLY WITH FEDERAL LAW APPLICABLE TO PRODUCTS MANUFACTURED AFTER JULY 4, 1975.

This warranty is extended only to the original purchaser/user of our product.

This warranty gives you specific legal rights and you may also have other legal rights which vary from state to state.

Invacare warrants its product to be free from defects in materials and workmanship for the lifetime of use by original purchaser. If within such warranty period any such product shall be proven to be defective, such product shall be repaired or replaced, at Invacare's option. This warranty does not include any labor or shipping charges incurred in replacement part installation or repair of any such product. Invacare's sole obligation and your exclusive remedy under this warranty shall be limited to such repair and/or replacement.

For warranty service, please contact the dealer from whom you purchased your Invacare product. In the event you do not receive satisfactory warranty service, please write directly to Invacare at the address below. Provide dealer's name, address, model number, date of purchase, indicate nature of the defect and, if the product is serialized, indicate the serial number.

Invacare Corporation will issue a return authorization. The defective unit or parts must be returned for warranty inspection using the serial number, when applicable, as identification within thirty (30) days of return authorization date. **DO NOT** return products to our factory without our prior consent. **C.O.D.** shipments will be refused; please prepay shipping charges.

LIMITATIONS AND EXCLUSIONS: THE WARRANTY SHALL NOT APPLY TO PROBLEMS ARISING FROM NORMAL WEAR OR FAILURE TO ADHERE TO THE ENCLOSED INSTRUCTIONS. IN ADDITION, THE FOREGOING WARRANTY SHALL NOT APPLY TO SERIAL NUMBERED PRODUCTS IF THE SERIAL NUMBER HAS BEEN REMOVED OR DEFACED; PRODUCTS SUBJECTED TO NEGLIGENCE, ACCIDENT, IMPROPER OPERATION, IMPROPER MAINTENANCE OR STORAGE; OR PRODUCTS MODIFIED WITHOUT INVACARE'S EXPRESS WRITTEN CONSENT INCLUDING, BUT NOT LIMITED TO: MODIFICATION THROUGH THE USE OF UNAUTHORIZED PARTS OR ATTACHMENTS; PRODUCTS DAMAGED BY REASON OF REPAIRS MADE TO ANY COMPONENT WITHOUT THE SPECIFIC CONSENT OF INVACARE; PRODUCTS DAMAGED BY CIRCUMSTANCES BEYOND INVACARE'S CONTROL; PRODUCTS REPAIRED BY ANYONE OTHER THAN AN AUTHORIZED INVACARE DEALER. SUCH EVALUATION SHALL BE SOLELY DETERMINED BY INVACARE.

THE FOREGOING EXPRESS WARRANTY IS EXCLUSIVE AND IN LIEU OF ANY OTHER WARRANTIES WHATSOEVER, WHETHER EXPRESS OR IMPLIED, INCLUDING THE IMPLIED WARRANTIES OF MERCHANTABILITY AND FITNESS FOR A PARTICULAR PURPOSE, AND THE SOLE REMEDY FOR VIOLATIONS OF ANY WARRANTY WHATSOEVER, SHALL BE LIMITED TO REPAIR OR REPLACEMENT OF THE DEFECTIVE PRODUCT PURSUANT TO THE TERMS CONTAINED HEREIN. THE APPLICATION OF ANY IMPLIED WARRANTY WHATSOEVER SHALL NOT EXTEND BEYOND THE DURATION OF THE EXPRESS WARRANTY PROVIDED HEREIN. INVACARE SHALL NOT BE LIABLE FOR ANY CONSEQUENTIAL OR INCIDENTAL DAMAGES WHATSOEVER.

THIS WARRANTY SHALL BE EXTENDED TO COMPLY WITH STATE/PROVINCIAL LAWS AND REQUIREMENTS.



Invacare Corporation www.invacare.com

USA
One Invacare Way
Elyria, Ohio USA
44036-2125
800-333-6900

Canada
570 Matheson Blvd E Unit 8
Mississauga Ontario
L4Z 4G4 Canada
800-668-5324

Invacare is a registered trademark of
Invacare Corporation.
Yes, you can. is a trademark of Invacare
Corporation.
© 2002 Invacare Corporation
Part No. 1073902 Rev C 07/02

Free Manuals Download Website

<http://myh66.com>

<http://usermanuals.us>

<http://www.somanuals.com>

<http://www.4manuals.cc>

<http://www.manual-lib.com>

<http://www.404manual.com>

<http://www.luxmanual.com>

<http://aubethermostatmanual.com>

Golf course search by state

<http://golfingnear.com>

Email search by domain

<http://emailbydomain.com>

Auto manuals search

<http://auto.somanuals.com>

TV manuals search

<http://tv.somanuals.com>