



Yes, you can.™

Specifications

Dimensions

Seat sizes

	Widths		14"-20" in 1" increments							
	Depth		14"-20" in 1" increments							
Rear wheel	17"	17.5"	18"	18.5"	19"	19.5"	20"	20.5"	21"	21.5"
22" & 3"	x		x		x		x			
STFA-6S	15; 17"		15; 18"		15; 19"		15; 19"			
STF F-6S	15; 16; 17"		15; 16; 17; 18"		15; 16; 17; 18; 19"		15; 16; 17; 18; 19"			
22" & 5"	x		x		x		x			
STFA-6S	15; 17"		15; 18"		15; 19"		15; 19"			
STF F-6S	15; 16; 17"		15; 16; 17; 18"		15; 16; 17; 18; 19"		15; 16; 17; 18; 19"			
22" & 6"		x		x		x		x		
STFA-6S		15; 17"		15; 18"		15; 19"		15; 19"		
STF F-6S		15; 16; 17"		15; 16; 17; 18"		15; 16; 17; 18; 19"		15; 16; 17; 18; 19"		
24" & 3"	x		x		x		x		x	
STFA-6S	16; 17"		16; 18"		16; 19"		16; 20"		16; 20"	
STF F-6S	16; 17"		16; 17; 18"		16; 17; 18; 19"		16; 17; 18; 19; 20"		16; 17; 18; 19; 20"	
24" & 5"	x		x		x		x		x	
STFA-6S	16; 17"		16; 18"		16; 19"		16; 20"		16; 20"	
STF F-6S	16; 17"		16; 17; 18"		16; 17; 18; 19"		16; 17; 18; 19; 20"		16; 17; 18; 19; 20"	
24" & 6"		x		x		x		x		x
STFA-6S		16; 17"		16; 18"		16; 19"		16; 20"		16; 20"
STF F-6S		16; 17"		16; 17; 18"		16; 17; 18; 19"		16; 17; 18; 19; 20; 16; 17; 18; 19; 20"		17; 18; 19; 20"
26" & 3"			x		x		x		x	
STFA-6S			17; 18"		17; 19"		17; 20"		17; 21"	
STF F-6S			17; 18"		17; 18; 19"		17; 18; 19; 20"		17; 18; 19; 20; 21"	
26" & 5"			x		x		x		x	
STFA-6S			17; 18"		17; 19"		17; 20"		17; 21"	
STF F-6S			17; 18"		17; 18; 19"		17; 18; 19; 20"		17; 18; 19; 20; 21"	
26" & 6"				x		x		x		x
STFA-6S				17; 18"		17; 19"		17; 20"		17; 21"
STF F-6S				17; 18"		17; 18; 19"		17; 18; 19; 20"		17; 18; 19; 20; 21"

Overall width by camber angle

Wheel type	0°	3°	6°	9°	12°
Spoke	6.75"	8"	10"	12.25"	14.25"
Composite	7"	8.25"	10.25"	12.5"	14.5"

Arm Height*

T-Arm	6"-10" in .50" increments
T-Arm	8"-14" in 1" increments
Swingaway half arm	9"-11" with upholstered armpads in 1" increments

Foot space width

Chair width	Tapered Front	V Front
12"	n/a	7"
13"	n/a	8"
14"	8"	9"
15"	9"	10"
16"	10"	11"
17"	11"	12"
18"	12"	13"
19"	13"	14"
20"	14"	15"

Weight limit

250 lb.

Warranty

Lifetime on frame and crossbraces

*Measurement taken from top of seat rail to top of armrest.

Invacare Corporation
www.invacare.com

USA

One Invacare Way
Elyria, Ohio
44035-4190
(800) 333-6900

Canada

5970 Chedworth Way
Mississauga, Ontario
L5R 3T9 Canada
(800) 668-5324

Invacare is a registered trademark and A-4, Terminator and Yes, you can. are trademarks of Invacare Corporation. Specifications are subject to change without notification.

Invacare® A-6S/F-6S Wheelchair



Yes, you can.™

The most popular rigid custom manual wheelchair just got better. The new Invacare A-6S is a combination of the most advanced features of the Invacare A-4™, the Invacare Terminator™ SS, and many revolutionary new design features. This everyday rigid suspension wheelchair includes dual front and rear suspension customized to the rider. Add this to a new seat angle adjustment mechanism, telescoping wheelbase, integrated head tubes, and an adjustable camber system, and you've got a high performance rigid chair that's ideal for every user...every day.

Suspension

Riders looking for the most advanced suspension in a rigid chair now know where they can find it. The innovative A-6S/F-6S features dual rear and front suspension that is customized to the rider's weight. Plus, additional elastomers are available and can be easily changed to increase or decrease the stiffness of the ride.



Suspension and mounting clamp.

Highlights

- Suspension is customized to the rider's weight
- Dual elastomer suspension is located on rear axle mount to cushion the ride
- Single elastomer is positioned horizontally in each front suspension fork to absorb impact of uneven terrain, curbs, and transfers
- Additional elastomers are available and can be easily replaced

Camber

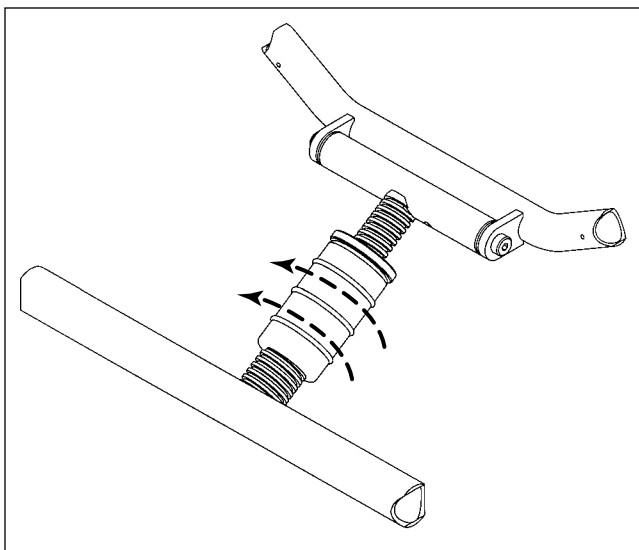
Thanks to its state-of-the-art camber bar technology, the chair's camber can be adjusted quickly and easily. Couple this with a camber bar mounting clamp that allows for adjustable rear seat-to-floor height, and it's obvious just how impressive the A-6S/F-6S truly is.



Camber bar.

Highlights

- Adjustable camber system
- Two camber choices with each insert
- Camber choices from 0° to 12°
- Camber bar mounting clamp allows for a rear seat-to-floor height change of one inch up or down when using 22", 24" or 26" rear wheels and 5" casters



Seat angle adjustment mechanism.

Frame Features

The advanced frame features also help make this rigid chair second to none. In just seconds, riders can adjust the seat angle to find their optimum position. And if they already know how they like to sit, a fixed angle seat can be ordered. Plus, with its telescoping center of gravity adjustment, the chair's wheelbase can be easily lengthened to maximize stability, or shortened to maximize performance.

Highlights

- Choice of adjustable (A-6S) or fixed (F-6S) seat angle
- Seat angle adjustment allows up to 4" of travel, depending on depth, rear wheel, and seat-to-floor height
- Integrated fixed headtubes are durable and never need truing
- Back styles are fold down, adjustable in height and angle



Seat angle adjustment.



Fixed seat angle back.

Free Manuals Download Website

<http://myh66.com>

<http://usermanuals.us>

<http://www.somanuals.com>

<http://www.4manuals.cc>

<http://www.manual-lib.com>

<http://www.404manual.com>

<http://www.luxmanual.com>

<http://aubethermostatmanual.com>

Golf course search by state

<http://golfingnear.com>

Email search by domain

<http://emailbydomain.com>

Auto manuals search

<http://auto.somanuals.com>

TV manuals search

<http://tv.somanuals.com>