

SAFETY SUMMARY

WARNING

DO NOT install this equipment without first reading and understanding this instruction sheet. If you are unable to understand these instructions, contact a healthcare professional, dealer or technical personnel if applicable before attempting to install this equipment - otherwise, injury or damage may occur.

Ensure that the seat is fixed to the wheelchair. A loose seat may lead to potentially dangerous situations with positioning devices.

ATTACHING/ADJUSTING THE FIXED GROWTH BRACKET

Attaching the Growth Bracket

NOTE: The growth bracket attaches to the Child/Junior Size Curved Back only.

1. Remove the growth bracket and attaching hardware from packaging.
2. Unzip center panel of the back cover, exposing the six (6) T-nutted mounting holes.

*NOTE: Make sure the growth bracket is positioned correctly. The flat portion of the growth bracket provides depth adjustment for the Ulti-Mate Base. The angled portion of the growth bracket provides height adjustment for the Curved Back. See **FIGURE 1**.*

3. Install four (4) of the mounting screws through the holes in the growth bracket and into the back shell. Securely tighten.

*NOTE: On the curved back, the standard attachment points are the top and bottom sets of holes. Refer to the **FIGURE 2-ATTACHMENT POINTS** in this instruction sheet for optional attachment points.*

4. Install four (4) of the mounting screws through the holes in the growth bracket and into the underside of the Ulti-Mate Base. Securely tighten.

*NOTE: On the Ulti-Mate Base, the standard attachment points are the front and back sets of holes. Refer to the **FIGURE 2-ATTACHMENT POINTS** in this instruction sheet for optional attachment points.*

5. If adjustment is required, refer to **ADJUSTING THE GROWTH BRACKET** in this instruction sheet.

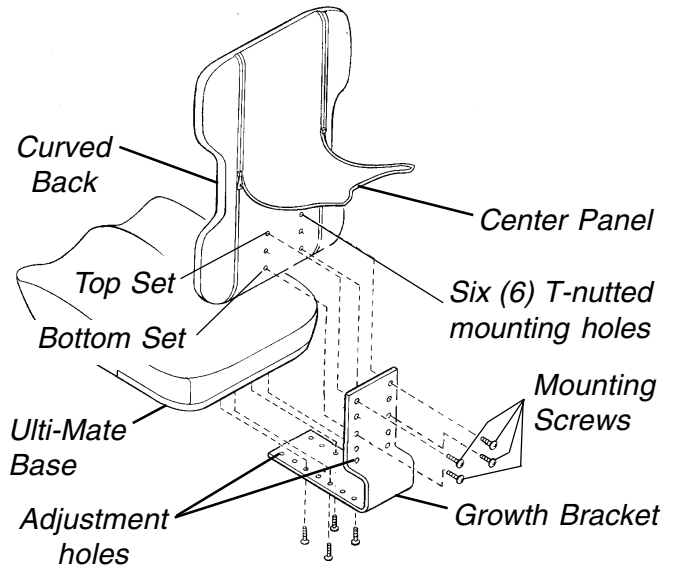


FIGURE 1 - ATTACHING/ADJUSTING THE FIXED GROWTH BRACKET

Adjusting the Growth Bracket (FIGURE 1)

ADJUSTING THE BACK HEIGHT.

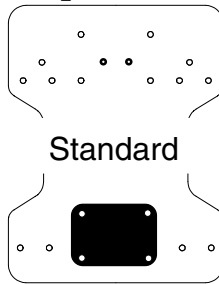
1. If necessary, unzip center panel of the back cover.
2. Remove the four (4) mounting screws that secure the growth bracket to the back.
3. Adjust the back up or down until the desired mounting position is obtained.
4. Reinstall the four (4) mounting screws through the growth bracket and into the back shell. Securely tighten. Refer to the **FIGURE 2- ATTACHMENT POINTS** in this instruction sheet for standard and optional attachment points.
5. Zip center panel of back cover closed.

ADJUSTING THE ULTI-MATE BASE DEPTH.

1. Remove the four (4) mounting screws that secure the growth bracket to the Ulti-Mate Base.
2. Adjust the seat forward or back until the desired mounting position is obtained.
3. Reinstall the four (4) mounting screws through the growth bracket and into the seat. Securely tighten. Refer to the **FIGURE 2 - ATTACHMENT POINTS** in this instruction sheet for standard and optional attachment points.

CURVED BACK

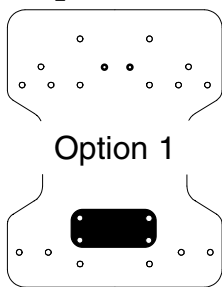
Top of Back



Standard

Bottom of Back

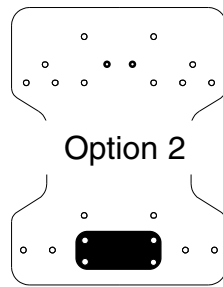
Top of Back



Option 1

Bottom of Back

Top of Back

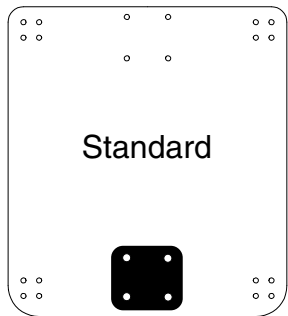


Option 2

Bottom of Back

ULTI-MATE BASE

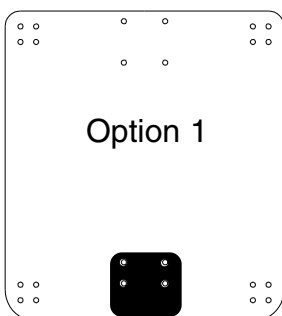
Front of Base



Standard

Rear of Base

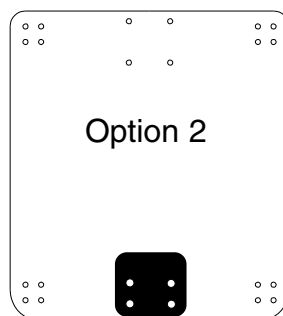
Front of Base



Option 1

Rear of Base

Front of Base



Option 2

Rear of Base

ATTACHING / ADJUSTING THE ADJUSTABLE ANGLE GROWTH BRACKET (FIGURE 3)

Attaching the Adjustable Angle Growth Bracket

NOTE: The growth bracket attaches to the child/junior sized curved back ONLY.

1. Remove the adjustable angle growth bracket and attaching hardware from the packaging.
2. Unzip the center panel of the back cover, exposing the six (6) T-nutted mounting holes.

NOTE: Make sure that the growth bracket is positioned correctly. The flat portion of the adjustable angle growth bracket provides depth adjustment for the Ulti-mate base. The angled portion of the adjustable angle bracket height adjustment for the curved back (FIGURE 2).

3. Install four (4) of the mounting screws through the slots in the adjustable angle growth bracket and into the underside of the Ulti-mate base. Securely tighten.

*NOTE: On the Ulti-mate base, the standard attachment points are the front and rear four (4) holes. Refer to the **FIGURE 2 - ATTACHMENT POINTS** in this instruction sheet for optional attachment points.*

4. Install two (2) of the mounting screws through the slots on the adjustable angle growth bracket and into the back shell. Securely tighten.

*NOTE: On the curved back, the standard attachment points are the MIDDLE set of holes. Refer to the **FIGURE 2 - ATTACHMENT POINTS** in this instruction sheet for optional attachment points.*

5. If adjustment is required, refer to **ADJUSTING THE GROWTH BRACKET** in this instruction sheet.

Adjusting the Growth Bracket

ADJUSTING THE BACK HEIGHT.

1. If necessary, unzip center panel of the back cover.
2. Loosen the two (2) mounting screws that secure the growth bracket to the back.
3. Adjust the back up or down until the desired mounting position is obtained.
4. Securely tighten the two (2) mounting screws.

FIGURE 2 - ATTACHMENT POINTS

5. If more adjustment is needed, the adjustment screws can be completely removed, and the bracket set to a NEW T-nutted hole location. Refer to the **FIGURE 2 - ATTACHMENT POINTS** in this instruction sheet for optional attachment points.
6. Zip center panel of back cover closed.

ADJUSTING THE ULTI-MATE BASE DEPTH.

1. If necessary, unzip center panel of the back cover.
2. Loosen the four (4) mounting screws that secure the growth bracket to the Ulti-Mate Base.
3. Adjust the seat forward or back until the desired mounting position is obtained.
4. Securely tighten the two (2) mounting screws.
5. If more adjustment is needed, the adjustment screws can be completely removed, and the bracket set to a NEW T-nutted hole location. Refer to the **FIGURE 2 - ATTACHMENT POINTS** in this instruction sheet for optional attachment points.
6. Zip center panel of back cover closed.

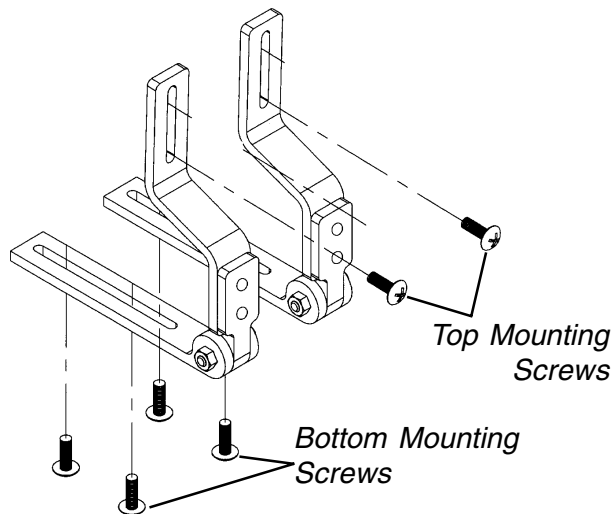


FIGURE 3 - ATTACHING / ADJUSTING THE ADJUSTABLE ANGLE GROWTH BRACKET

ADJUSTING THE ANGLE OF THE BACK (FIGURE 4).

NOTE: The adjustable angle growth bracket is infinitely angle adjustable. The back-to-seat angle is set by the location of the mounting points for the back in relation to the base and by changing the hole positions of the adjustable angle back hooks.

1. Remove the two (2) attaching screws and nuts on the adjustable angle back hooks.
2. Recline the back to the desired angle.
3. Align one (1) round hole and one (1) slotted hole on the back L-bracket with two (2) of the holes on the hook portion.
4. Reinstall the two (2) screws and nuts and securely tighten.

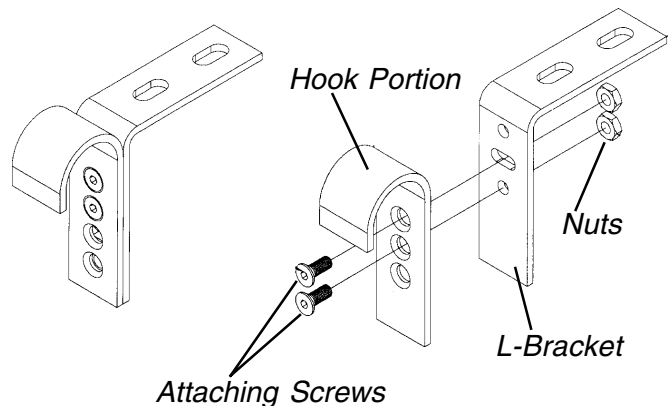


FIGURE 4 - ADJUSTING THE ANGLE OF THE BACK

LIMITED WARRANTY

PLEASE NOTE: THE WARRANTY BELOW HAS BEEN DRAFTED TO COMPLY WITH FEDERAL LAW APPLICABLE TO PRODUCTS MANUFACTURED AFTER JULY 4, 1975.

This warranty is extended only to the original purchaser/user of our products.

This warranty gives you specific legal rights and you may also have other legal rights which vary from state to state.

Invacare warrants its product to be free from defects in materials and workmanship for the period of two (2) years of use by original purchaser. If within such warranty period any such product shall be proven to be defective, such product shall be repaired or replaced, at Invacare's option. This warranty does not include any labor or shipping charges incurred in replacement part installation or repair of any such product. Invacare's sole obligation and your exclusive remedy under this warranty shall be limited to such repair and/or replacement.

For warranty service, please contact the dealer from whom you purchased your Invacare product. In the event you do not receive satisfactory warranty service, please write directly to Invacare at the address on the next page. Provide dealer's name, address, model number, date of purchase, indicate nature of the defect and, if the product is serialized, indicate the serial number.

Invacare Corporation will issue a return authorization. The defective unit or parts must be returned for warranty inspection using the serial number, when applicable, as identification within thirty (30) days of return authorization date. DO NOT return products to our factory without our prior consent. C.O.D. shipments will be refused; please prepay shipping charges.

LIMITATIONS AND EXCLUSIONS: THE WARRANTY SHALL NOT APPLY TO PROBLEMS ARISING FROM NORMAL WEAR OR FAILURE TO ADHERE TO THE ENCLOSED INSTRUCTIONS. IN ADDITION, THE FOREGOING WARRANTY SHALL NOT APPLY TO SERIAL NUMBERED PRODUCTS IF THE SERIAL NUMBER HAS BEEN REMOVED OR DEFACED; PRODUCTS SUBJECTED TO NEGLIGENCE, ACCIDENT, IMPROPER OPERATION, MAINTENANCE OR STORAGE; OR PRODUCTS MODIFIED WITHOUT INVACARE'S EXPRESS WRITTEN CONSENT INCLUDING, BUT NOT LIMITED TO: MODIFICATION THROUGH THE USE OF UNAUTHORIZED PARTS OR ATTACHMENTS; PRODUCTS DAMAGED BY REASON OF REPAIRS MADE TO ANY COMPONENT WITHOUT THE SPECIFIC CONSENT OF INVACARE; PRODUCTS DAMAGED BY CIRCUMSTANCES BEYOND INVACARE'S CONTROL; PRODUCTS REPAIRED BY ANYONE OTHER THAN AN AUTHORIZED INVACARE DEALER, SUCH EVALUATION SHALL BE SOLELY DETERMINED BY INVACARE.

THE FOREGOING WARRANTY IS EXCLUSIVE AND IN LIEU OF ALL OTHER EXPRESS WARRANTIES, IF ANY, INCLUDING THE IMPLIED WARRANTIES OF MERCHANTABILITY AND FITNESS FOR A PARTICULAR PURPOSE.

IT SHALL NOT EXTEND BEYOND THE DURATION OF THE EXPRESSED WARRANTY PROVIDED HEREIN AND THE REMEDY FOR VIOLATIONS OF ANY IMPLIED WARRANTY SHALL BE LIMITED TO REPAIR OR REPLACEMENT OF THE DEFECTIVE PRODUCT PURSUANT TO THE TERMS CONTAINED HEREIN. INVACARE SHALL NOT BE LIABLE FOR ANY CONSEQUENTIAL OR INCIDENTAL DAMAGES WHATSOEVER.

THIS WARRANTY SHALL BE EXTENDED TO COMPLY WITH STATE/PROVINCIAL LAWS AND REQUIREMENTS.



Yes, you can.™

Invacare Corporation

www.invacare.com

USA

One Invacare Way
Elyria, Ohio USA
44036-2125
800-333-6900

Canada

5970 Chedworth Way
Mississauga, Ontario
L5R 3T9, Canada
905-890-8838

Invacare and "Yes, you can" are trademarks of Invacare Corporation.

© 2000 Invacare Corporation

Form No. 96-324 Part No. 1068857 Rev A (1) 7/00

Free Manuals Download Website

<http://myh66.com>

<http://usermanuals.us>

<http://www.somanuals.com>

<http://www.4manuals.cc>

<http://www.manual-lib.com>

<http://www.404manual.com>

<http://www.luxmanual.com>

<http://aubethermostatmanual.com>

Golf course search by state

<http://golfingnear.com>

Email search by domain

<http://emailbydomain.com>

Auto manuals search

<http://auto.somanuals.com>

TV manuals search

<http://tv.somanuals.com>