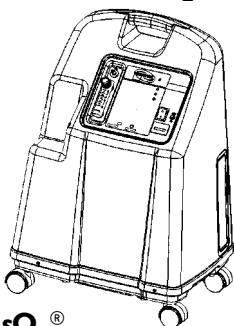


OPERATOR'S MANUAL - ENGLISH
MANUAL DE INSTRUCCIONES -
DOMESTIC SPANISH

PLATINUM 5
HFC II

OXYGEN CONCENTRATORS STANDARD,
WITH /SENSO₂[®] AND HOMEFILL™ II
CONCENTRADORES DE OXÍGENO
STANDARD, CON /SENSO₂[®] Y HOMEFILL™ II



Invacare 5 with/Senso₂[®]
Model IRC5LXO2

Invacare 5 con/Senso₂[®]
Modelo IRC5LXO2

Invacare 5
Model IRC5LX

Invacare 5
Modelo IRC5LX

DEALER: THIS MANUAL MUST BE GIVEN TO THE END USER.

USER: BEFORE USING THIS CONCENTRATOR, READ THIS MANUAL AND SAVE FOR FUTURE REFERENCE.

DISTRIBUIDOR: ENTREGUE ESTE MANUAL AL USUARIO FINAL.

USUARIO: ANTES DE OPERAR EL CONCENTRADOR, LEA TOTALMENTE ESTE MANUAL Y CONSÉRVELO COMO REFERENCIA PARA EL FUTURO.



Yes, you can.™

SPECIAL NOTES

WARNING/CAUTION notices used in this manual apply to hazards or unsafe practices which could result in personal injury or property damage.

NOTICE

THE INFORMATION CONTAINED IN THIS DOCUMENT IS SUBJECT TO CHANGE WITHOUT NOTICE.

WARNING

DO NOT OPERATE THIS EQUIPMENT WITHOUT FIRST READING AND UNDERSTANDING THIS MANUAL. IF YOU ARE UNABLE TO UNDERSTAND THE WARNINGS, CAUTIONS, AND INSTRUCTIONS, CONTACT INVACARE TECHNICAL SERVICES BEFORE ATTEMPTING TO USE THIS EQUIPMENT - OTHERWISE INJURY OR DAMAGE MAY RESULT.

SAVE THESE INSTRUCTIONS

TABLE OF CONTENTS

SPECIAL NOTES	2
SAFETY SUMMARY	4
FEATURES	7
SPECIFICATIONS	8
HANDLING	11
Unpacking	11
Inspection	11
Storage	11
INTRODUCTION	12
OPERATING INSTRUCTIONS	12
Select a Location	12
Recommended End-User Guidelines for Optimum Performance	12
Plug in Power Cord	13
Connect Humidifier (if so prescribed)	13
Oxygen Tubing	14
Power Switch	15
Flowrate	15
SensO ₂ [®] Oxygen Purity Indicator- If your Unit Features the O ₂ Sensor	15
Initial Startup of the Concentrator	16
Explanation of Indicator Lights	16
Oxygen Purity Indicator- If your Unit Does Not Features the O ₂ Sensor	17
MAINTENANCE	17
Cleaning the Cabinet Filters	17
Cabinet	18
Humidifier	18
TROUBLESHOOTING GUIDE	19
PREVENTIVE MAINTENANCE RECORD	20
WARRANTY	21
SPANISH OWNER'S MANUAL (MANUAL DEL USARIO)	23

SAFETY SUMMARY

SAFETY SUMMARY

CAUTION

“Caution: Federal law restricts this device to sale or rental by or on order of a physician, or any other practitioner licensed by the law of the State in which he practices to use or order the use of this device.”

Risk of electric shock. **DO NOT** disassemble. Refer servicing to qualified service personnel.

READ THE FOLLOWING INFORMATION BEFORE OPERATING THIS PRODUCT.

WARNING

The use of oxygen therapy requires that special care be taken to reduce the risk of fire. Any materials that will burn in air, and some that will not, are easily ignited and burn rapidly in high concentrations of oxygen. For safety concerns, it is necessary that all sources of ignition be kept away from the product and preferably out of the room in which it is being used. **NO SMOKING** signs should be prominently displayed.

A spontaneous and violent ignition may occur if oil, grease or greasy substances come in contact with oxygen under pressure. These substances **MUST** be kept away from the oxygen concentrator, tubing and connections, and all other oxygen equipment. **DO NOT** use any lubricants unless recommended by Invacare.

For optimum performance, Invacare recommends that each concentrator be on and running for a minimum of 30 minutes at a time. Shorter periods of operation may reduce maximum product life. If it has a damaged cord or plug, if it is not working properly, if it has been dropped or damaged, or dropped into water, call Qualified Service Personnel for examination and repair.

Keep the cord away from **HEATED** or **HOT** surfaces.

NEVER drop or insert any object into any opening.

NEVER block the air openings of the product or place it on a soft surface, such as a bed or couch, where the air opening may be blocked. Keep the openings free from lint, hair and the like. Fill humidifier with water to the level shown by the manufacturer. **DO NOT** overfill.

WARNING (CONTINUED)

Keep at least 3 inches away from walls, draperies, furniture, and the like.

Invacare recommends that Crush-Proof oxygen tubing (supplied by Invacare) be used with this product and **NOT** exceed 50 ft. (15.2m) in length.

MAINTENANCE

The Invacare Oxygen Concentrator was specifically designed to minimize routine preventive maintenance at intervals of once per year. Only professionals of the healthcare field or persons fully conversant with this process such as authorized or factory trained personnel should perform preventive maintenance or performance adjustments on the oxygen concentrator.

RADIO FREQUENCY INTERFERENCE

Most electronic equipment is influenced by Radio Frequency Interference (RFI). **CAUTION** should be exercised with regard to the use of portable communications equipment in the area around such equipment.

TO REDUCE THE RISK OF BURNS, ELECTROCUTION, FIRE OR INJURY TO PERSONS.

WARNING

ALWAYS unplug this product **IMMEDIATELY** after using. Avoid using while bathing. If continuous usage is required by the physician's prescription:

The concentrator must be located in another room at least seven (7) feet from the bath.

DO NOT come in contact with the concentrator while wet.

DO NOT place or store product where it can drop into water or other liquid.

DO NOT reach for product that has fallen into water. **UNPLUG IMMEDIATELY.**

A product should **NEVER** be left unattended when plugged in.

SAFETY SUMMARY

WARNING (CONTINUED)

This device is to be used only in accordance with the prescription of a physician and this Owners Manual. If at any time the patient or attendant conclude that the patient is receiving an insufficient amount of oxygen, the supplier and/or physician should be contacted immediately. No adjustments should be made to the flowrate unless prescribed by a physician.

Close supervision is necessary when this product is used near children or physically-challenged individuals.

Use this product for only intended use as described in this manual.

DO NOT use parts, accessories or adapters other than those authorized by Invacare.

DO NOT connect the concentrator in parallel or series with other oxygen concentrators or oxygen therapy devices.

Use of some administration accessories or certain humidifiers not specified for use with oxygen concentrator may impair the performance.

In certain circumstances oxygen therapy can be hazardous. Invacare recommends that you seek medical advice before using this machine.

This equipment is to be used as an oxygen supplement and is not considered life supporting or life sustaining.

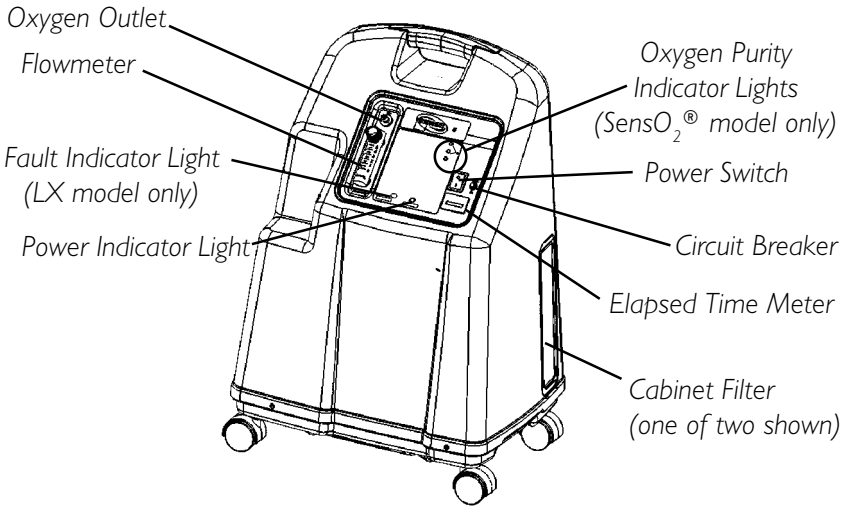
Avoid creation of any spark near medical oxygen equipment. This includes sparks from static electricity created by any type of friction.

POLARIZED PLUG INSTRUCTION

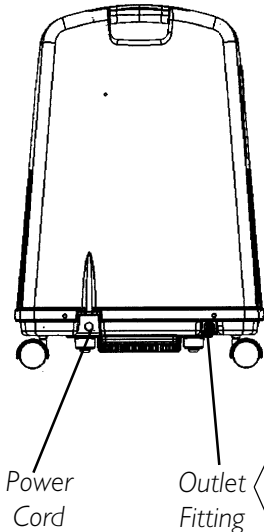
This appliance has a polarized plug (one blade is wider than the other). As a safety feature, this plug will fit in a polarized outlet only one way. If the plug does not fit fully in the outlet, reverse the plug. If it still does not fit, contact a qualified electrician. **DO NOT ATTEMPT TO DEFEAT THIS SAFETY FEATURE.**

FEATURES

FRONT VIEW



REAR VIEW



ACCESSORIES (NOT SHOWN):

Remote Humidifier/Flowmeter
 Accessory - IRCRF5

PreciseR_x[™] Pediatric Humidifier/
 Flowmeter Accessory - IRCPF16

Venture[®] Homefill[™] II home
 oxygen compressor - IOH200

NOTE: This outlet fitting is to be used only for filling oxygen cylinders with the Venture HomeFill II home oxygen compressor. The outlet fitting does not affect concentrator performance. Refer to the HomeFill II owner's manual, part number 1100873, for connection and operating instructions. When not in use, the plug provided with the concentrator should be inserted into the outlet fitting. For more information about the HomeFill II, contact your Invacare dealer.

SPECIFICATIONS

SPECIFICATIONS

Electrical Requirements: 120 VAC \pm 10% (132 VAC/108 VAC),
60 Hz

Rated Current Input: 4.0 A

Sound Level: 50 dB Average



Altitude: Up to 6,000 ft. (1828 meters) above sea level without degradation of concentration levels. From 6,000 ft. (1828 meters) to 13,129 ft. (4000 meters) below 90% efficiency.

***Oxygen Output Concentration Levels:** ALL 5LXO2/5LX MODELS
95.6% to 87% at 1/2 to 5 L/min.

*** Stated concentration levels achieved after initial warm-up period (approximately 30 minutes).**

Maximum Outlet Pressure: 5 ± 0.5 psi.
(34.5 ± 3.45 kPa.)

SensO₂[®] Alarm Thresholds:

Label Symbol	O2 Purity	Indicators
	Below 73%	RED Indicator Light - Continuous Audible Alarm Sieve-GARD™ Compressor Shutdown
	73% to 85%	YELLOW Indicator Light
O ₂	Over 85%	GREEN Indicator Light

SPECIFICATIONS (CONTINUED)

Flow Range:	1/2 - 5 L/min. For flowrates less than 1 L/min., we recommend the use of the Invacare Pediatric Flowmeter IRCPF16.
Average Power Consumption:	400W
Pressure Relief Mechanism Operational at:	35 psi \pm 3.5 psi (24.1 kPa \pm 24.1 kPa)
Change in maximum recommended flow when back pressure of 7kPa is applied:	0.7 L/min.
Filters:	Cabinet (2), Outlet HEPA and Compressor Inlet.
Safety System:	Current overload or line surge shutdown. High temperature compressor shutdown. High Pressure Alarm w/compressor shutdown. Low Pressure Alarm w/compressor shutdown. Battery Free Power Loss Alarm. SensO ₂ [®] Oxygen System (SensO₂[®] Model)
Width:	18 3/8" \pm 3/8" (46.7 cm \pm 1 cm)
Height:	26 3/8" \pm 3/8" (67.0 cm \pm 1 cm)
Depth:	14 3/8" \pm 3/8" (36.5 cm \pm 1 cm)
Weight:	51 lbs. \pm 1 lb (23.2 kg \pm .5 kg)
Shipping Weight:	56 lbs. \pm 1 lb (25.4 kg \pm .5 kg)

SPECIFICATIONS

SPECIFICATIONS (CONTINUED)

Operating Ambient

Temperature: 50°F - 95°F (10°C - 35°C) at 20-60% relative humidity

Exhaust: Less than Ambient + 35°F (+19°C).

Oxygen Output: Less than Ambient + 4°F (+2°C).

Cabinet: Impact Resistant flame-retardant plastic cabinet that conforms to UL 94-V0.

Regulatory Listing: DOUBLE INSULATED PRODUCT
ETL certified complying with UL 1097 (U.S. models).
CSA certified to C22.2 No. 68 (Canadian models).

Electrical: No extension cords.

Placement: No closer than 3-inches from any wall, furniture, draperies, or similar surfaces.

Tubing: Crush-Proof Tubing - 7 ft. (2.1m) cannula with a maximum 50 ft. (15.2 m) extension
(DO NOT PINCH).

Relative Humidity: 20 to 60%

Time of Operation: Up to 24 hours per day.

Recommended Storage and Shipping Temperature: -20°F to 150°F (-29°C to 65°C),
at 15-95% relative humidity

HANDLING

The concentrator should always be kept in the upright position to prevent cabinet damage while being transported. The shipping container has been designed to assure maximum protection of the concentrator. If the concentrator is to be reshipped by common carrier, additional cartons are available from Invacare.

UNPACKING

1. Check for any obvious damage to the carton or its contents. If damage is evident, notify the Carrier, or your local dealer.
2. Remove all loose packing from the carton.
3. Carefully remove all the components from the carton.

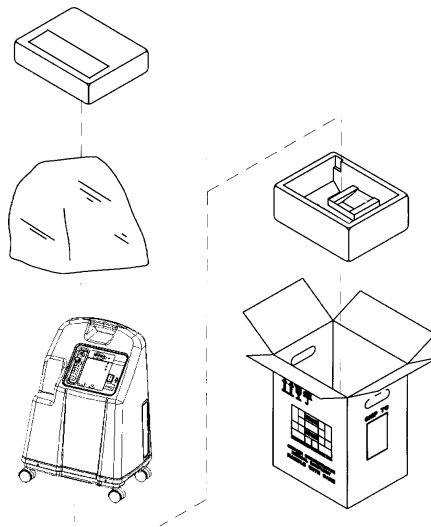


FIGURE I - PACKAGING

NOTE: Unless the Oxygen Concentrator is to be used immediately, retain containers and packing materials for storage until use of the concentrator is required.

INSPECTION

1. Examine exterior of the Oxygen Concentrator for nicks, dents, scratches or other damages. Inspect all components.

STORAGE

1. Store the repackaged Oxygen Concentrator in a dry area.
2. **DO NOT** place other objects on top of the repackaged concentrator.

INTRODUCTION/ OPERATING INSTRUCTIONS

INTRODUCTION

Your Oxygen Concentrator is intended for individual use in the home. It is an electronically operated device that separates oxygen from room air. It provides high concentration of oxygen directly to you through a nasal cannula or mask. Clinical studies have documented that oxygen concentrators are therapeutically equivalent to other types of oxygen delivery systems.

Your Provider will show you how to use your oxygen concentrator. He/She should be contacted with any questions or problems regarding your Oxygen Concentrator. This Owners Manual will tell you about your concentrator and will serve as a reference as you use your concentrator.

OPERATING INSTRUCTIONS

SELECT A LOCATION

You may select a room in your house where using your oxygen concentrator would be most convenient. Your concentrator can be easily rolled from room to room on its casters.

Your Oxygen Concentrator will perform best when operated under the following conditions. Usage in environments other than those described may result in the need for increased equipment maintenance. The air intake of the unit should be located in a well ventilated area to avoid airborne pollutants and/or fumes.

RECOMMENDED END-USER GUIDELINES FOR OPTIMUM PERFORMANCE:

Temperature:	50°F - 95°F (10°C - 35°C)
Electrical:	No extension cords.
Placement:	No closer than 3-inches from the wall, furniture, draperies, or similar surfaces.
Tubing and Cannula:	7 ft. cannula with a maximum 50 ft. of Crush-Proof Tubing (DO NOT PINCH).
Environment:	Smoke and soot-free. No confined spaces (Example: NO closets).
Relative Humidity:	20 to 60%
Time of Operation:	Up to 24 hours per day.
Flow Rate	From 1/2 L/min. to 5 L/min. For flow rates less than 1 L/min., use the Pediatric Flowmeter.
Minimum Operating Time:	30 Minutes

OPERATING INSTRUCTIONS

NOTE: Ensure that your concentrator is at least (3) three-inches away from walls, draperies or furniture to assure sufficient air flow. Avoid deep pile carpets and heaters, radiators or hot air registers.

PLUG IN POWER CORD

1. Plug in power cord to an electrical outlet.

CONNECT HUMIDIFIER (IF SO PRESCRIBED)

1. Fill humidifier with distilled water to the level indicated by the manufacturer.

WARNING

DO NOT overfill humidifier.

Replace the humidifier cap and securely tighten.

DO NOT reverse the oxygen input and output connections.

Water from the humidifier bottle **WILL** travel through the cannula back to the patient.

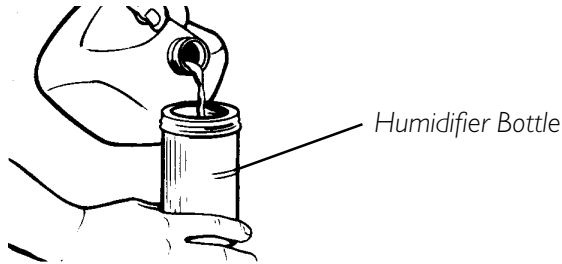


FIGURE 1 - FILLING THE HUMIDIFIER

2. Place the humidifier in the humidifier compartment.

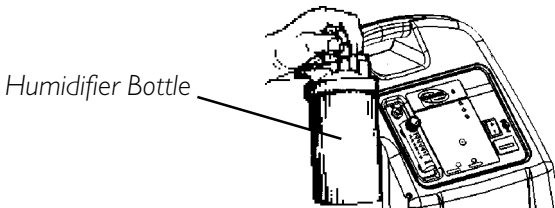


FIGURE 2 - HUMIDIFIER COMPARTMENT

OPERATING INSTRUCTIONS

3. Remove the humidifier adapter from its stored location inside the filter access door and attach it to the humidifier by turning the wing nut on the humidifier bottle counterclockwise until it is securely fastened.

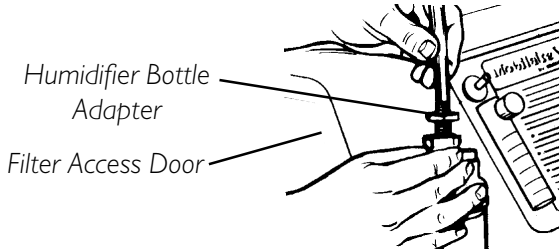


FIGURE 3 - ATTACHING THE HUMIDIFIER ADAPTER

NOTE: If using the Remote Humidifier/Flowmeter Accessory, refer to the Operating Instructions which accompany the accessory.

4. Attach oxygen tubing from the humidifier bottle to oxygen outlet connector on the oxygen concentrator.

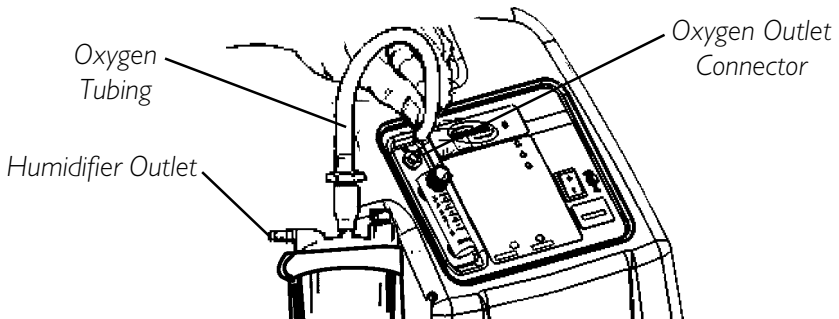


FIGURE 4 - ATTACHING THE OXYGEN TUBING

5. Attach the cannula/patient supply tubing to the humidifier bottle outlet.
6. After assembly, ensure that oxygen is flowing through the cannula.

WARNING

For optimum performance, Invacare recommends that concentrator be operated a minimum of 30 minutes during any use. Shorter periods of operation may adversely affect the life of the product.

POWER SWITCH

1. Press power switch to the **ON** position. The power light (I/O), located on the control panel, will illuminate a **GREEN** light. The alarm will "beep" three (3) times indicating that the system is functioning properly (FIGURE 5).

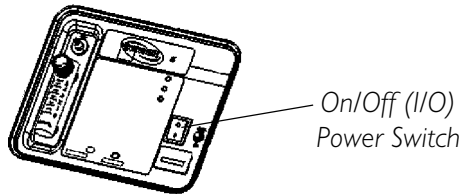


FIGURE 5 - POWER SWITCH

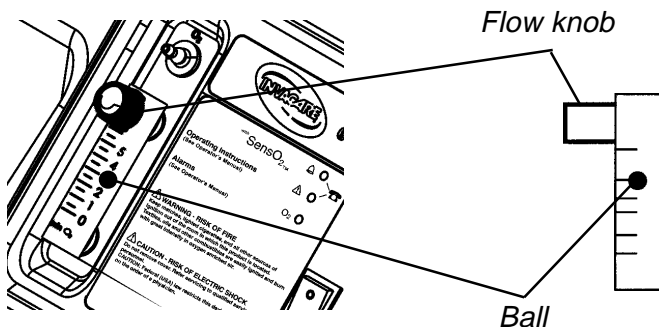
FLOWRATE

1. Turn the flowrate knob to the setting prescribed by your physician or therapist.

WARNING

DO NOT change the L/min. setting on the flowmeter unless a change has been prescribed by your physician or therapist.

NOTE: To properly read the flowmeter, locate the prescribed flowrate line on the flowmeter. Next, turn the flow knob until the ball rises to the line. Now, center the ball on the L/min. line prescribed (FIGURE 6).



**FIGURE 6 - ADJUSTING THE FLOWRATE-
PLATINUM 5 WITH SENSO₂[®] SHOWN**

OPERATING INSTRUCTIONS

SENSO₂[®] OXYGEN PURITY INDICATOR- IF YOUR UNIT FEATURES THE O₂ SENSOR FEATURE

This feature monitors the purity of oxygen generated by the oxygen concentrator. If purity falls below factory preset standards, indicator lights on the control panel will illuminate.

INITIAL STARTUP OF THE CONCENTRATOR

NOTE: Concentrator may be used during the initial start warm-up time (approximately 30 min.) while waiting for the GREEN O₂ purity light to illuminate.

When the unit is initially turned on, the **GREEN** power LED (I/O) will illuminate. Within 5 to 30 minutes after initial startup, a **GREEN** light will illuminate in the **Oxygen Purity** section of the **Control Panel (FIGURE 7)** if concentration is within specification. Any other SensO₂[®] indicator lights illuminating will signal a condition that requires a call to the supplier.

EXPLANATION OF OXYGEN PURITY INDICATOR LIGHTS (FIGURE 7):

GREEN LIGHT (O₂) - Normal Operation

YELLOW LIGHT (⚠) - Call Supplier **IMMEDIATELY**. You may continue to use the concentrator unless instructed otherwise by your supplier. Be certain that **BACKUP OXYGEN** is nearby.

RED LIGHT (🔔) - Total unit shutdown. Switch **IMMEDIATELY** to **BACKUP OXYGEN** supply. Call Supplier **IMMEDIATELY**.

GREEN LIGHT - with YELLOW LIGHT FLASHING - Call Supplier **IMMEDIATELY**. Oxygen sensor malfunctioning; you may continue to use the concentrator.

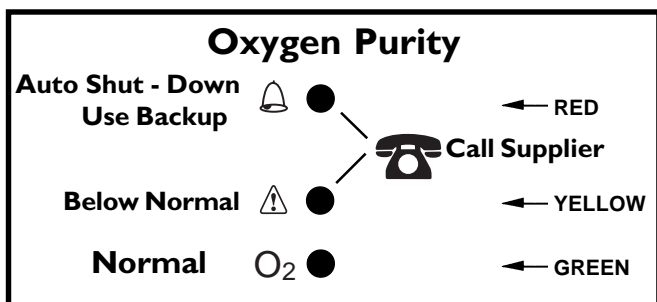


FIGURE 7 - O₂ DISPLAY CONTROL PANEL

OXYGEN PURITY INDICATOR- IF YOUR UNIT DOES NOT FEATURE THE O₂ SENSOR LX MODELS INDICATOR LIGHT EXPLANATION (FIGURE 8):

RED LIGHT (⚠️) - Total Unit Shut-Down. Switch **IMMEDIATELY** to a **BACK-UP OXYGEN** supply. Call Supplier **IMMEDIATELY**.

GREEN LIGHT (I/O)- On/Off.

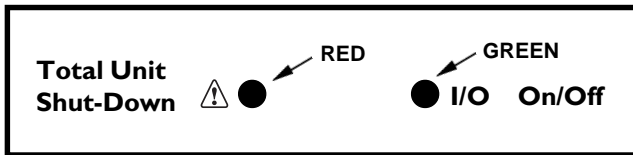


FIGURE 8 - DISPLAY CONTROL PANEL

MAINTENANCE

CLEANING THE CABINET FILTERS

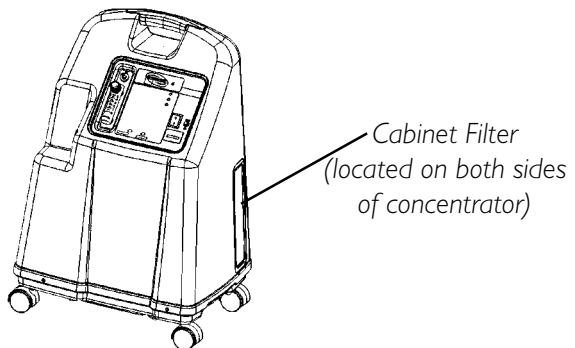


FIGURE 9 - CABINET FILTER LOCATION

NOTE: There are two (2) cabinet filters. One (1) is located on each side of the cabinet (FIGURE 9).

1. Remove each filter and **CLEAN AT LEAST ONCE A WEEK** depending on environmental conditions (FIGURE 10).

NOTE: Environmental conditions that may require more frequent cleaning of the filters include but are not limited to: high dust, smoking, air pollutants, etc.

MAINTENANCE

2. Clean the cabinet filters with a vacuum cleaner or wash in warm soapy water and rinse thoroughly (**FIGURE 10**).
3. Dry the filters thoroughly before reinstallation.

CAUTION

DO NOT operate the concentrator without the filters installed.

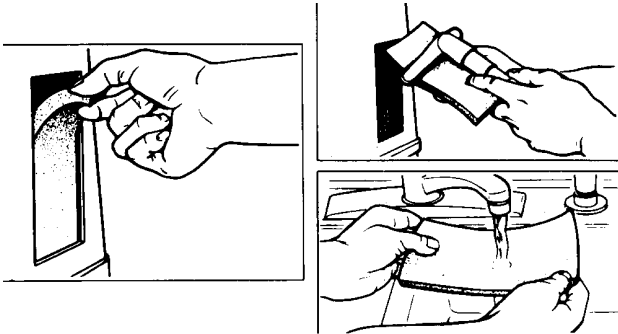


FIGURE 10 - CLEANING THE CABINET FILTERS
CABINET

WARNING

UNPLUG the concentrator when cleaning. To avoid electrical shock, **DO NOT** remove cabinet.

1. Clean the cabinet with a mild household cleaner and non-abrasive cloth or sponge.

HUMIDIFIER

NOTE: To clean the oxygen humidifier, follow the instructions provided by the manufacturer. If none are provided, follow these steps:

1. Clean the humidifier every day.
2. Wash it in soapy water and rinse it with a solution of ten (10) parts water and one (1) part vinegar.
3. Rinse thoroughly with hot water and refill with distilled water to the level shown on the humidifier.

WARNING

DO NOT overfill Humidifier Bottle.

TROUBLESHOOTING GUIDE

SYMPTOM:	PROBABLE CAUSE:	SOLUTION:
<p>Alarm: SHORT BEEPS, LONG PAUSE</p> <p>Concentrator NOT operating, power switch ON. Beep..... Beep.....</p>	<p>Main Power Loss:</p> <ol style="list-style-type: none"> 1. Power cord NOT plugged In. 2. No power at outlet. 3. Tripped circuit breaker. 	<ol style="list-style-type: none"> 1. Insert plug into outlet. 2. Inspect house circuit breakers or fuses. If problem recurs, use a different outlet. 3. Call Provider for Service.
<p>Alarm: CONTINUOUS Power Switch ON,</p> <p>Concentrator NOT OPERATING. Beeeeeeep....</p>	<p>System Failure:</p> <ol style="list-style-type: none"> 1. Unit overheating due to blocked air intake. 2. Insufficient power at outlet. 3. Internal repairs required. 	<ol style="list-style-type: none"> 1a. Remove and clean cabinet filters. 1b. Move oxygen concentrator at least three (3) inches away from walls, draperies or furniture. 2. Do not use extension cords. Move to another electrical outlet or circuit. 3. Call Provider for Service.
<p>YELLOW or RED LIGHT Illuminated.</p> <p>* Only applies to SensO₂ models.</p>	<ol style="list-style-type: none"> *1. Low oxygen purity. *2. Kinked or blocked tubing, cannula or humidifier. *3. Flowmeter set at 1/2 L/min. or less. 4. Unit overheating due to blocked air intake. 5. Insufficient power at outlet. 6. Internal repairs required. 	<ol style="list-style-type: none"> 1. Clean or Replace filters. 2. Inspect for kinks or blockages. Correct, clean or replace item. Once corrected, turn power OFF for 60 seconds and then turn power back ON. 3. Check flowmeter is set to 1.0 L/min. or more. Refer to Recommended End-User Guidelines in the Operating Instructions of this manual (page 12). 4a. Remove and clean cabinet filters. 4b. Move concentrator at least 3- inches from walls, draperies, and furniture. 5. Do not use extension cords. Move to another electrical outlet or circuit. 6. Call Provider for Service.
<p>GREEN LIGHT with YELLOW Light Flashing.</p>	<ol style="list-style-type: none"> 1. Internal repairs required. 	<ol style="list-style-type: none"> 1. Call Provider for Service.

PREVENTIVE MAINTENANCE RECORD INVACARE PLATINUM OXYGEN CONCENTRATOR



Yes, you can:

ON EACH INSPECTION

Record Date of Service																				
Record Elapsed Hours On Hour Meter																				
Clean Cabinet Filter(s)																				
Check Prescribed L/min. Flow Rate																				
EVERY 90 DAYS																				
Check Oxygen Concentration (UNITS WITHOUT SensO ₂ ®)																				
ANNUALLY OR DURING PREVENTIVE MAINTENANCE SCHEDULE																				
Clean/Replace Cabinet Filter(s)																				
Check Outlet HEPA Filter*																				
Check Compressor Inlet Filter*																				
Check Oxygen Concentration (SensO ₂ ® MODELS)																				
Check Power Loss Alarm																				
AS REQUIRED																				
Clean Heat Exchanger																				
Replace Exhaust Muffler																				
Rebuild Top End of Compressor																				

MODEL NO. IRC _____ SERIAL NO. _____

PREVENTIVE MAINTENANCE RECORD

*Refer to Preventive Maintenance section of Service Manual.

LIMITED WARRANTY

NOTE: THE WARRANTY BELOW HAS BEEN DRAFTED TO COMPLY WITH FEDERAL LAW APPLICABLE TO PRODUCTS MANUFACTURED AFTER JULY 4, 1975.

This warranty is extended only to original purchaser of our products. This warranty gives you specific legal rights and you may also have other legal rights which may vary from state to state.

Invacare Corporation warrants its Platinum Oxygen Concentrator to be free from defects in materials and workmanship from date of purchase for a period of five (5) years

The 4-way valve body carries a lifetime warranty from date of purchase. **DO NOT OPEN OR ATTEMPT TO SERVICE VALVE BODY.** This will void any and all warranty applicable to the valve body. If within such warranty period any such product shall be proven to Invacare Corporation's satisfaction to be defective, such product shall be repaired or replaced, at Invacare Corporation's option. This warranty only applies to the labor for repairs performed by the Invacare Service Department or authorized Invacare Authorized Service Centers. It does not apply to the labor performed by the purchaser or user. This warranty does not include normal wear and tear or shipping charges. Invacare Corporation's sole obligation and your exclusive remedy under this warranty shall be limited to such repair or replacement. Routine maintenance items, such as filters, are excluded from this warranty.

For warranty service, please contact Invacare Corporation's service department at the toll free number on the back cover.

Upon receiving notice of an alleged defect in a product, Invacare Corporation will issue a serialized return authorization. It shall then be the responsibility of the purchaser to return the entire unit or remove, at purchaser's cost, the defective component part(s) identified, pack the component part(s) in a manner to avoid shipping damage and to ship the component part(s) to either Invacare Corporation's plant or service center as specified by Invacare Corporation in advance. Defective component part(s) must be returned for warranty inspection using the serial number as identification within thirty (30) days of return authorization date. Do not return products to our factory without prior consent. C.O.D. shipments will be refused; please prepay shipping charges.

WARRANTY

LIMITATIONS AND EXCLUSIONS: THE FOREGOING WARRANTY SHALL NOT APPLY TO PRODUCTS SUBJECTED TO NEGLIGENCE, ACCIDENT, IMPROPER OPERATION, MAINTENANCE OR STORAGE, SOOT OR SMOKE-FILLED ENVIRONMENTS, OR OTHER THAN NORMAL APPLICATION, USE OR SERVICE, OR TO PRODUCTS MODIFIED WITHOUT INVACARE CORPORATION'S EXPRESS WRITTEN CONSENT (INCLUDING, BUT NOT LIMITED TO, MODIFICATION THROUGH THE USE OF UNAUTHORIZED PARTS OR ATTACHMENTS) OR TO PRODUCTS DAMAGED BY REASON OF REPAIRS MADE TO ANY COMPONENT WITHOUT THE SPECIFIC CONSENT OF INVACARE CORPORATION OR TO PRODUCTS DAMAGED BY CIRCUMSTANCES BEYOND INVACARE CORPORATION'S CONTROL.

THE FOREGOING WARRANTY IS EXCLUSIVE AND IN LIEU OF ALL OTHER EXPRESS WARRANTIES, IMPLIED WARRANTIES, IF ANY, INCLUDING THE IMPLIED WARRANTIES OF MERCHANTABILITY AND FITNESS FOR A PARTICULAR PURPOSE SHALL NOT EXTEND BEYOND THE DURATION OF THE EXPRESS WARRANTY PROVIDED HEREIN, AND THE REMEDY FOR VIOLATION OF ANY IMPLIED WARRANTY SHALL BE LIMITED TO REPAIR OR REPLACEMENT OF THE DEFECTIVE PRODUCT PURSUANT TO THE TERMS CONTAINED HEREIN. INVACARE CORPORATION SHALL NOT BE LIABLE FOR ANY CONSEQUENTIAL OR INCIDENTAL DAMAGES WHATSOEVER.

Some states do not allow the exclusion or limitation of incidental or consequential damage, or limitation of how long an implied warranty lasts, so the above exclusion and limitation may not apply to you.

THIS WARRANTY SHALL BE EXTENDED TO COMPLY WITH STATE/PROVINCIAL LAWS AND REQUIREMENTS.

CONCENTRADORES DE OXIGENO STANDARD, *CON/SENSE*[®]₂, Y HOMEFILL™ II

NOTAS ESPECIALES

Las **ADVERTENCIAS** y **PRECAUCIONES** usadas en este manual se refieren a los peligros o prácticas inseguras que pudieran causar lesiones personales o dañar el producto.

AVISO

LA INFORMACIÓN CONTENIDA EN ESTE DOCUMENTO ESTÁ SUJETA A CAMBIOS SIN PREVIO AVISO.

ADVERTENCIA

NO OPERE ESTE EQUIPO SIN ANTES LEER Y COMPRENDER ESTE MANUAL. SI NO ENTIENDE LAS ADVERTENCIAS, PRECAUCIONES E INSTRUCCIONES, COMUNÍQUESE CON LOS SERVICIOS TÉCNICOS DE INVACARE ANTES DE USAR EL EQUIPO, DE LO CONTRARIO PODRÍA SUFRIR LESIONES O CAUSAR DAÑOS.

CONSERVE ESTAS INSTRUCCIONES

CONTENIDO

NOTAS ESPECIALES	23
RESUMEN DE SEGURIDAD	25
CARACTERÍSTICAS	28
ESPECIFICACIONES	29
MANIPULACIÓN	32
Desembalado	32
Inspección	32
Almacenamiento	32
INTRODUCCIÓN	33
INSTRUCCIONES DE OPERACIÓN	33
Seleccione el sitio de uso	33
Pautas de rendimiento recomendadas para el usuario final	33
Enchufe el cable eléctrico	34
Conecte El humidificador (Si ha sido Recetado) ...	34
Tubos De Oxígeno	35
Interruptor de encendido	36
Caudal del flujo	36
Indicador de pureza del oxígeno SensO ₂ [®] si la unidad incluye la función detectora de O ₂	37
Arranque inicial del concentrador	37
Explicación De Las Luces Indicadoras	37
Indicador de pureza del oxígeno- si la unidad no incluye el detector de O ₂	38
MANTENIMIENTO	38
Limpieza de los filtros del armario	38
Armario	39
GUÍA PARA LA SOLUCIÓN DE PROBLEMAS	40
REGISTRO DEL MANTENIMIENTO PREVENTIVO	41
GARANTÍA	42

RESUMEN DE SEGURIDAD

PRECAUCIÓN

“Precaución: La ley federal establece que este aparato sólo puede venderse o alquilarse bajo las órdenes de un médico u otro profesional de la salud cuya licencia en el estado en el cual ejerce le autorice a usar o recetar el uso del dispositivo”.

Peligro de descarga eléctrica. NO DESMONTE ESTE APARATO. Sólo personal calificado debe dar servicio al equipo.
LEA LA SIGUIENTE INFORMACIÓN ANTES DE OPERAR ESTE EQUIPO.

ADVERTENCIA

La terapia con oxígeno debe realizarse con sumo cuidado para reducir el riesgo de incendio. Todos los materiales que se queman en el aire, y algunos que no, se inflaman fácilmente y se queman rápidamente cuando hay alta concentración de oxígeno. Por razones de seguridad, es preciso mantener todas las fuentes de inflamación lejos del producto, y de preferencia fuera de la habitación en la cual se use. Coloque avisos de **NO FUMAR** donde puedan ser vistos por todos.

Puede producirse una inflamación espontánea y violenta si el aceite, grasa u otras sustancias entran en contacto con el oxígeno bajo presión. **ALEJE** estas sustancias del concentrador de oxígeno, de sus tubos, conexiones y de todo otro equipo afín. **NO** use ningún tipo de lubricante a menos que éste sea recomendado por Invacare.

Para obtener un rendimiento óptimo, Invacare recomienda mantener los concentradores encendidos y funcionando por un mínimo de 30 minutos a la vez. Los periodos de funcionamiento inferiores a este lapso pueden reducir la vida útil máxima del producto. Comuníquese con personal de servicio calificado para que repare el equipo en caso de que éste tenga el cable o enchufe dañados, si no funciona adecuadamente, si se ha caído, dañado o caído al agua.

ADVERTENCIA (CONTINUACIÓN)

Mantenga el cable lejos de superficies **TEMPERADAS O CALIENTES**.

NUNCA deje caer ni introduzca ningún objeto en ninguna abertura.

NUNCA obstruya las aberturas de aire del producto ni ubique el equipo sobre una superficie blanda, como una cama o sofá donde la abertura de aire quede obstruida. Elimine todas las pelusas, cabello y demás impurezas. Llene con agua el humidificador hasta el nivel indicado por el fabricante. **NO REBASE EL NIVEL**.

Mantenga el equipo a 3 pulgadas (8 centímetros) de las paredes, cortinas, muebles, etc.

Invacare recomienda usar el equipo con tubos a prueba de golpes (proporcionados por Invacare) que no sobrepasen los 50 pies (15.2 metros) de largo.

MANTENIMIENTO

El concentrador de oxígeno Invacare está especialmente diseñado para que el mantenimiento preventivo de rutina se lleve a cabo sólo una vez al año. Sólo profesionales de la salud o personas con conocimientos cabales del equipo, tales como el personal autorizado o capacitado de la fábrica, pueden llevar a cabo el mantenimiento preventivo o realizar ajustes de rendimiento en el concentrador de oxígeno.

INTERFERENCIA DE RADIOFRECUENCIA

La mayoría de los equipos eléctricos se ven afectados por interferencia de radiofrecuencia. **TENGA CUIDADO** al usar equipos de comunicación portátiles cerca o alrededor de dichos equipos.

PARA REDUCIR EL RIESGO DE QUEMADURAS, ELECTROCUCIÓN, INCENDIO O LESIONES PERSONALES.

ADVERTENCIA

SIEMPRE desenchufe el producto **INMEDIATAMENTE** después de usarlo. Evite usarlo durante el baño. Si el médico ha recomendado el uso continuo del equipo:

ADVERTENCIA (CONTINUACIÓN)

Coloque el concentrador en otra habitación, a por lo menos 7 pies (2.13 metros) de la bañera. **NO** toque el concentrador si usted está mojado.

NO coloque ni guarde el producto en un lugar donde pueda caer al agua u otros líquidos.

NO recoja el producto si éste ha caído al agua.

DESENCHÚFELO DE INMEDIATO.

ADVERTENCIA

SIEMPRE preste atención al equipo cuando esté enchufado.

Este dispositivo debe usarse tal como lo indica la receta del médico y el manual del propietario. Si en cualquier momento el paciente o el asistente concluye que el paciente está recibiendo una cantidad insuficiente de oxígeno, se debe comunicar de inmediato al proveedor y/o al médico. No haga ningún ajuste al caudal del flujo a menos que lo indique el médico.

Se debe supervisar continuamente el dispositivo cuando se use cerca de niños o personas discapacitadas.

Use este producto para lo cual fue diseñado, tal como se describe en este manual.

NO use piezas, accesorios ni adaptadores distintos de los autorizados por Invacare.

NO conecte el concentrador en paralelo ni en serie con otros concentradores de oxígeno ni ningún otro dispositivo para terapia con oxígeno.

El uso de algunos accesorios de administración de oxígeno o ciertos humedecedores no especificados para ser usados con el concentrador pueden disminuir el rendimiento del mismo.

La terapia con oxígeno puede ser peligrosa en ciertas circunstancias. Invacare recomienda consultar al médico antes de usar esta máquina.

Este equipo está diseñado para usarse sólo como suplemento de oxígeno y no como un respirador artificial para pacientes terminales.

ADVERTENCIA (CONTINUACIÓN)

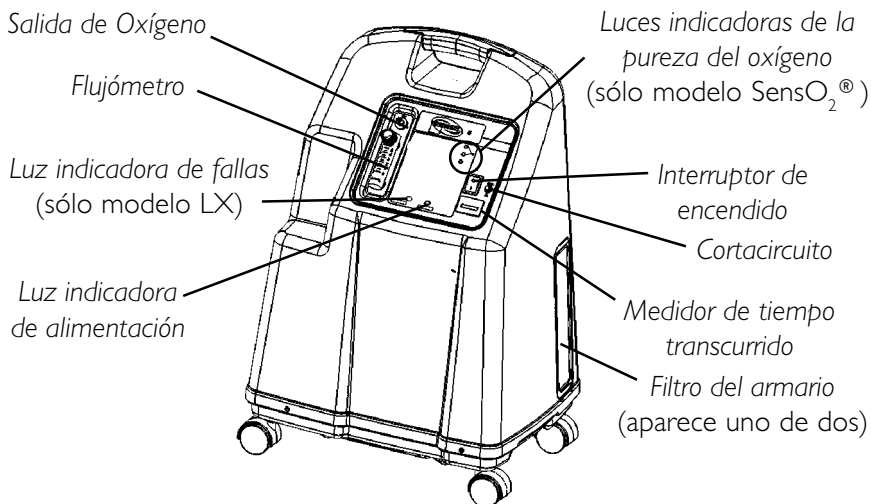
Evite crear chispas cerca del equipo médico de oxígeno. Ello incluye chispas de la electricidad estática causada por cualquier tipo de fricción.

INSTRUCCIÓN SOBRE EL ENCHUFE POLARIZADO

Este artefacto tiene un enchufe polarizado (una clavija es más ancha que la otra). Como característica de seguridad, el enchufe calza en un tomacorriente polarizado en un solo sentido. Si el enchufe no calza totalmente en el tomacorriente, inviértalo. Si aún así no calza, comuníquese con un electricista calificado. **NO PASE POR ALTO ESTA CARACTERÍSTICA DE SEGURIDAD.**

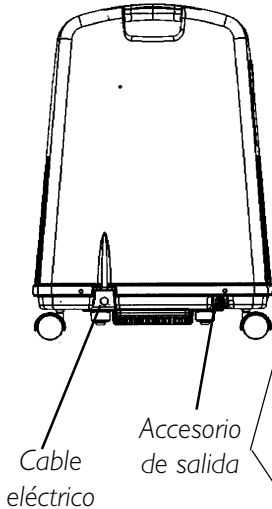
CARACTERISTICAS

VISTA DELANTERA



CARACTERISTICAS (CONTINUACIÓN)

VISTA POSTERIOR



ACCESORIOS (NO APARECEN):

Accesorio Remoto de Humedecedor/Flujómetro - IRCRF5

Accesorio de Humedecedor/Flujómetro Pediátrico PreciseR_xTM - IRCPF16

Compresor de Oxígeno para uso Doméstico Venture[®] HomefillTM - IOH200

NOTA: Esta conexión de salida debe usarse solamente para llenar los cilindros de oxígeno con el compresor de oxígeno Venture HomeFill II. Esta conexión no afecta el rendimiento del concentrador. En el manual del propietario de HomeFill II, número de parte 1100873, encontrará las instrucciones de conexión u operación. Guarde el enchufe que viene con el concentrador en la conexión de salida cuando no lo use. Comuníquese con su representante de Invacare para obtener más información sobre HomeFill II.

ESPECIFICACIONES

Requisitos eléctricos:

120 VAC \pm 10% (132 VAC/108 VAC),
60 Hz

Entrada de corriente nominal:

4.0 A

Nivel de sonido:

Promedio de 50 dB

Altitud:

Hasta 6,000 pies (1,828 metros) sobre el nivel del mar sin degradación de los niveles de concentración. Desde los 6,000 pies (1,828 metros) hasta los 13,129 pies (4,000 metros) la eficiencia baja a menos del 90%.

***Niveles de concentración de salida de oxígeno:**

TODOS LOS MODELOS 5LX02/LX
95.6% a 87% en 1/2 a 5 L/min.



***Niveles de concentración indicados se alcanzan tras el periodo de calentamiento (aproximadamente 30 minutos)**

ESPECIFICACIONES

ESPECIFICACIONES (CONTINUACION)

Presión máxima de salida: $5 \pm 0.5 \text{ lb/pulg}^2$
($34.5 \pm 3.45 \text{ kPa}$.)

Umbrales de la alarma SensO₂[®]:

Símbolo	Pureza O ₂	Indicadores
	Bajo 73%	Luz Indicadora ROJA - Alarma Audible Continua Parada de emergencia del compresor Sieve-GARD™
	73% a 85%	Luz Indicadora AMARILLA
O ₂	Sobre 85%	Luz Indicadora VERDE

Margen de flujo: 1/2 - 5 L/min.

Para caudales de flujo inferiores a 1 L/min., se recomienda usar el flujómetro pediátrico IRCPF16 de Invacare.

Consumo de Potencia Promedio: 400W

Mecanismo de Alivio de Presión Operativo a: $35 \text{ lb/pulg}^2 \pm 3.5 \text{ lb/pulg}^2$ ($24.1 \text{ kPa} \pm 24.1 \text{ kPa}$)

Cambio en el flujo máximo de presión recomendado al aplicarse una contrapresión de 7kPa: 0.7 L/m

Filtros: Armario (2), salida HEPA y entrada del compresor

ESPECIFICACIONES (CONTINUACION)

Sistema de Seguridad:	Parada de emergencia contra sobrecarga de corriente o voltaje. Parada de emergencia del compresor por alta temperatura. Alarma de alta presión con parada de emergencia del compresor. Alarma de baja presión con parada de emergencia del compresor. Alarma de pérdida de potencia sin batería Sistema de oxígeno SensO ₂ ® (modelo SensO₂®).
Ancho:	18 3/8 +/- 3/8-pulgadas (46.7 cm ± 1 cm).
Alto:	26 3/8 +/- 3/8-pulgadas (67.0cm ± 1 cm).
Profundidad:	14 3/8 +/- 3/8-pulgadas (36.5 cm ± 1 cm).
Peso:	51 lbs. +/- 1 lb (23.2 kg +/- .5 kg)
Peso bruto:	56 lbs. +/- 1 lb (25.4 kg +/- .5 kg)
Temperatura Ambiente de Funcionamiento:	50° F - 95° F (10° C - 35° C) a una humedad relativa del 20-60%
Escape:	Menor que la temperatura ambiente + 35° F (+19°C).
Salida de Oxígeno:	Menor que la temperatura ambiente + 4° F (+2° C).
Armario:	Armario plástico piroretardante y resistente a los impactos, cumple la norma UL 94-VO.
Registro Reglamentario:	PRODUCTO CON AISLAMIENTO DOBLE. Certificación ETL, cumple la norma UL 1097 (modelos estadounidenses). Certificación CSA a C222 No. 68 (modelos canadienses).
Sistema Eléctrico:	Sin Cables de extensión.
Ubicación:	A no menos de 3 pulgadas (8 centímetros) de la pared, muebles, cortinas o superficies similares.
Tubos:	Tubos a prueba de golpes - cánula de 7 pies (2.1 metros) con una extensión máxima de 50 pies (15.2 metros). NO LOS APRIETE.
Humedad Relativa:	20 a 60%
Tiempo de Funcionamiento:	Hasta 24 horas por día.
Temperaturas de almacenamiento y envío recomendadas:	-20°F to 150°F (-29°C to 65°C) a una humedad relativa del 15-95%.

MANIPULACIÓN

MANIPULACIÓN

Siempre mantenga el concentrador en posición vertical para impedir que el armario se dañe durante el transporte. La caja de despacho está diseñada para brindar el máximo de protección al concentrador. Si la unidad va a ser redespachada por otra empresa de transportes, Invacare ofrece cajas de cartón adicionales.

DESEMBALADO

1. Revise la caja de cartón por si ésta o sus contenidos presentan daños evidentes. Si éste es el caso, notifique a la empresa de transportes o a su distribuidor local.
2. Retire de la caja todo el embalaje suelto.
3. Retire cuidadosamente los componentes de la caja.

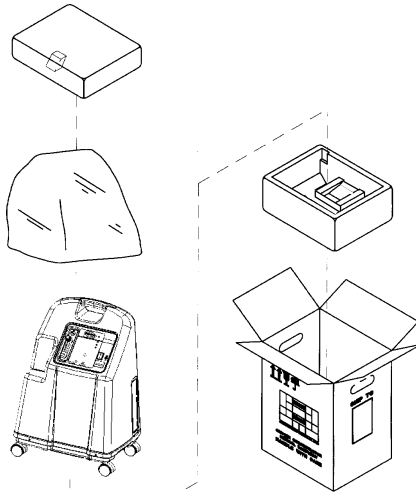


FIGURA I. EMBALAJE

NOTA: Si no va a usar el concentrador de inmediato, guarde los envases y los materiales de embalado hasta que vaya a usar el equipo.

INSPECCIÓN

1. Examine el exterior del concentrador de oxígeno por si presenta mellas, abolladuras, raspaduras u otros daños. Revise todos los componentes.

ALMACENAMIENTO

1. Guarde el concentrador de oxígeno en un área seca.
2. NO coloque otros objetos sobre el concentrador reembalado.

INTRODUCCIÓN

El concentrador de oxígeno está diseñado para usarse individualmente en el hogar. Es un dispositivo electrónico que separa el oxígeno del aire ambiente. Suministra al paciente altas concentraciones de oxígeno a través de la cánula o máscara nasales. Los estudios médicos han demostrado que los concentradores de oxígeno son terapéuticamente equivalentes a otro tipo de sistemas de suministro de oxígeno.

Su proveedor le enseñará la forma de usar el concentrador de oxígeno. Consúltele todas las dudas que pueda tener al respecto. Este manual del propietario le entregará información sobre el concentrador que adquirió, y le servirá de referencia a medida que usa el equipo.

INSTRUCCIONES DE OPERACIÓN

SELECCIONE EL SITIO DE USO

Seleccione la habitación que le resulte más cómoda para usar el concentrador de oxígeno. Gracias a las ruedecillas, el concentrador puede ser trasladado fácilmente de habitación en habitación.

El concentrador de oxígeno funcionará de manera óptima si se usa según las siguientes condiciones. El uso del equipo en entornos distintos de los recomendados puede hacer que el mantenimiento deba realizarse con mayor frecuencia. Coloque la entrada de aire de la unidad en un área bien ventilada a fin de evitar los contaminantes o vapores en suspensión.

PAUTAS DE RENDIMIENTO RECOMENDADAS PARA EL USUARIO FINAL:

Temperatura:	50°F - 95°F (10°C - 35°C)
Sistema Eléctrico:	Sin cables de extensión.
Ubicación:	A no menos de 3 pulgadas (8 centímetros) de la pared, muebles, cortinas o superficies similares.
Tubos y cánula:	Cánula de 7 pies (2.1 metros) con tubos a prueba de golpes con extensión máxima de 50 pies (15.2 metros) (NO LOS APRIETE).
Entorno:	Sin humo ni hollín. No usar en áreas de poco espacio (ejemplo: armarios empotrados).
Humedad relativa:	20 a 60 %
Tiempo de Funcionamiento:	Hasta 24 horas por día.
Caudal del Flujo:	Desde 1/2 hasta 5 L/min. Para caudales de flujo inferiores a 1 L/min., use el flujómetro pediátrico.
Tiempo de funcionamiento mínimo:	30 Minutos

INSTRUCCIONES DE OPERACIÓN

NOTA: Mantenga el concentrador a por lo menos 3 pulgadas (8 centímetros) de las paredes, cortinas y muebles para asegurar suficiente flujo de aire. Evite usar la unidad cerca de alfombras muy mullidas, calefactores, radiadores o salidas de aire caliente.

ENCHUFE EL CABLE ELÉCTRICO

1. Conecte el cable en un tomacorriente.

CONECTE EL HUMEDECEDOR (SI HA SIDO RECETADO)

1. Llene el humidificador con agua destilada hasta el nivel indicado por el fabricante.

ADVERTENCIA

NO rebase el humidificador.

Coloque la tapa del humidificador y apriétela firmemente.

NO invierta las conexiones de entrada y salida de oxígeno. De lo contrario el agua de la botella del humidificador regresará por la cánula hacia el paciente.

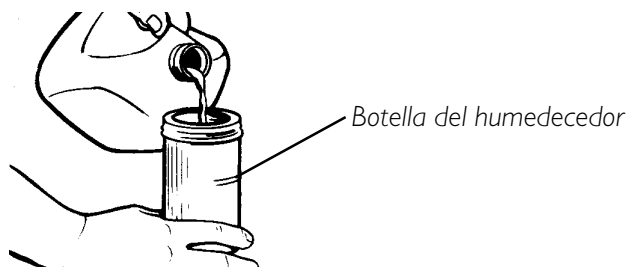


FIGURA 1 - LLENADO DEL HUMEDECEDOR

2. Coloque el humidificador en su compartimiento.

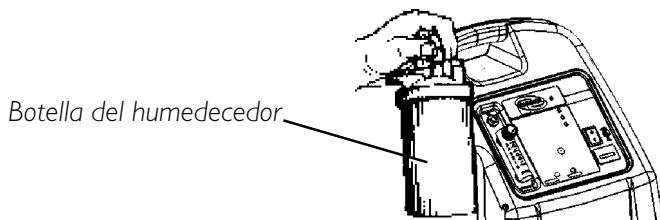


FIGURA 2 - COMPARTIMIENTO DEL HUMEDECEDOR

3. Retire del humidificador el adaptador situado dentro de la puerta de acceso al filtro y conéctelo al humidificador girando la tuerca de mariposa en la botella del humidificador en sentido antihorario hasta que quede firmemente asegurada.

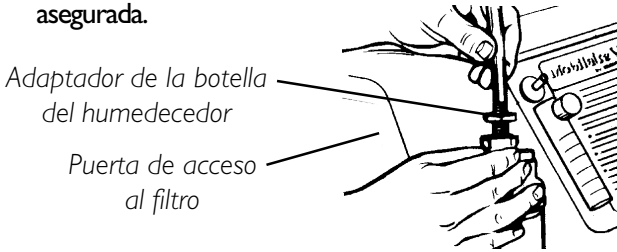


FIGURA 3 - CONEXIÓN DEL ADAPTADOR DEL HUMIDIFICADOR

NOTA: Si va usar el accesorio remoto de humidificador/flujómetro, consulte las instrucciones de operación adjuntas con dicho accesorio.

4. Conecte los tubos de oxígeno desde la botella del humidificador hasta el conector de salida de oxígeno en el concentrador.

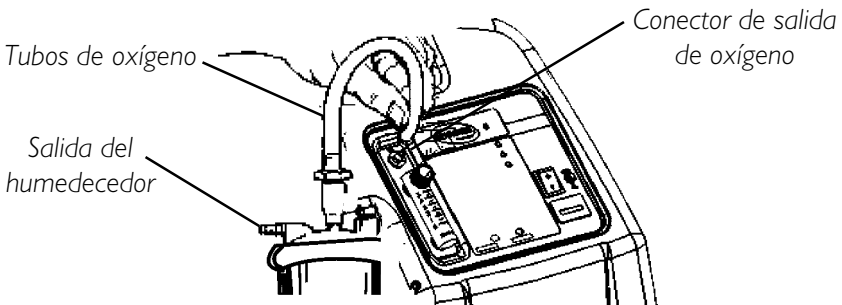


FIGURA 4 - CONEXIÓN DE LOS TUBOS DE OXÍGENO

5. Conecte la cánula/tubos de suministro en la salida de la botella del humidificador.
6. Tras montarlos, cerciórese de que el oxígeno fluya a través de la cánula.

ADVERTENCIA

Para obtener un rendimiento óptimo, Invacare recomienda hacer funcionar el concentrador por un mínimo de 30 minutos. Los periodos de funcionamiento inferiores a este lapso pueden reducir la vida útil máxima del producto.

INSTRUCCIONES DE OPERACIÓN

INTERRUPTOR DE ENCENDIDO

1. Coloque el interruptor en la posición de encendido (I). La luz (I/O), situada en el panel de control, se iluminará de color VERDE. La alarma emitirá tres tonos indicando que el sistema funciona correctamente (FIGURA 5).

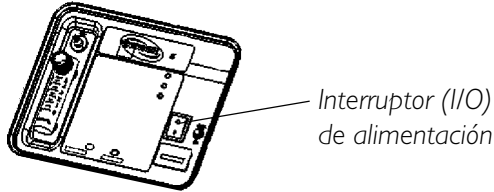


FIGURA 5 - INTERRUPTOR DE ALIMENTACIÓN

CAUDAL DEL FLUJO

1. Gire la perilla del caudal del flujo hasta el ajuste recetado por el médico o terapeuta.

ADVERTENCIA

NO cambie el ajuste de L/min. en el flujómetro a menos que lo haya indicado el médico o terapeuta.

NOTA: Para leer correctamente el flujómetro, busque en éste la línea del caudal de flujo recetado. Luego gire la perilla de flujo hasta que la bola llegue hasta dicha línea. Finamente centre la bola en la línea de L/min. recetada (FIGURA 6).

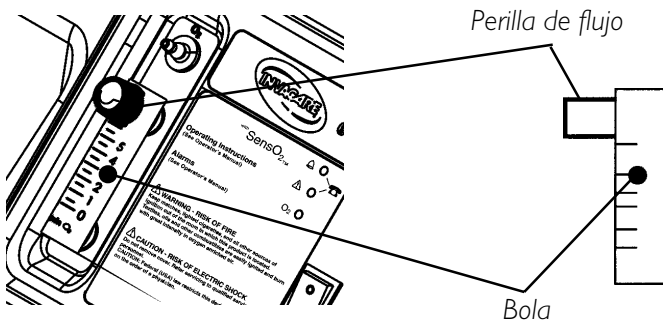


FIGURA 6 - AJUSTE DEL CAUDAL DE FLUJO - APARECE EL MODELO PLATINUM 5 CON SENSO₂®

INDICADOR DE PUREZA DEL OXÍGENO SENSO²® SI LA UNIDAD INCLUYE LA FUNCIÓN DETECTORA DE O₂

Esta función controla la pureza del oxígeno que genera el concentrador. Si la pureza disminuye por debajo de las normas preestablecidas de fábrica, se iluminarán las luces indicadoras en el panel de control.

ARRANQUE INICIAL DEL CONCENTRADOR

NOTA: El concentrador puede usarse durante el periodo de calentamiento del arranque inicial (aproximadamente 30 minutos) mientras se ilumina la luz VERDE de pureza de O₂.

Al encenderse la unidad por primera vez, el indicador LED **VERDE** de encendido (I/O) se iluminará. Transcurridos 5 a 30 minutos del arranque inicial, se iluminará una luz **VERDE** en la sección de pureza de oxígeno (Oxygen Purity) del panel de control (**FIGURA 7**) siempre y cuando la concentración de éste esté dentro del margen especificado. Si se ilumina cualquier otra luz indicadora SensO₂® significa que existe una condición de falla por lo que se deberá llamar al distribuidor.

EXPLICACIÓN DE LAS LUCES INDICADORAS:

LUZ VERDE (O₂) - Funcionamiento normal

LUZ AMARILLA (⚠) - Llame a su distribuidor de **INMEDIATO**. Puede seguir usando el concentrador, a menos que su distribuidor le indique lo contrario. Cerciórese de contar con **OXÍGENO DE RESERVA** a mano.

LUZ ROJA (🔔) - Parada total de la unidad por emergencia. Use de **INMEDIATO** el **OXÍGENO DE RESERVA**. Llame al distribuidor de **INMEDIATO**.

LUZ VERDE - con **LUZ AMARILLA DESTELLANDO** - Llame al distribuidor de **INMEDIATO**. El detector de oxígeno está averiado, pero puede seguir usando el concentrador.

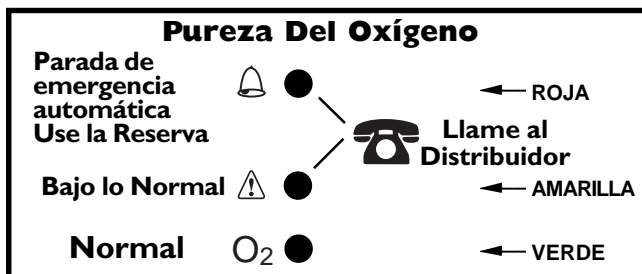


FIGURA 7 - PANEL DE CONTROL CON INDICADOR DE O₂

INSTRUCCIONES DE OPERACIÓN/MANTENIMIENTO

INDICADOR DE PUREZA DEL OXÍGENO - SI LA UNIDAD NO INCLUYE EL DETECTOR DE O₂.

EXPLICACIÓN DE LA LUZ INDICADORA EN LOS MODELOS LX (FIGURA 8):

LUZ ROJA() - Parada total de la unidad por emergencia. Use de **INMEDIATO** el **OXÍGENO DE RESERVA**. Llame al distribuidor de **INMEDIATO**.

LUZ VERDE - (I/O) Encendido/ apagado

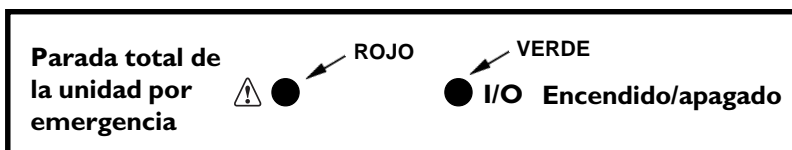


FIGURA 8 - PANEL DE CONTROL CON INDICADOR

MANTENIMIENTO

LIMPIEZA DE LOS FILTROS DEL ARMARIO



FIGURA 9 - UBICACIÓN DE LOS FILTROS EN EL ARMARIO

NOTA: Todos los concentradores vienen con dos (2) filtros, uno a cada lado del armario (FIGURA 9).

1. Retire los filtros y **LÍMPIELOS POR LO MENOS UNA VEZ A LA SEMANA** según las condiciones ambientales (**FIGURA 10**).

NOTA: Entre las condiciones ambientales que ameritan una limpieza más frecuente de los filtros se incluyen, pero sin limitarse a ello: polvo, humo o contaminantes en abundancia, etc.

2. Limpie los filtros con una aspiradora o lávelos totalmente en una solución detergente tibia (**FIGURA 10**).
3. Seque totalmente los filtros antes de reinstalarlos.

PRECAUCIÓN

NO opere el concentrador si no ha instalado los filtros.

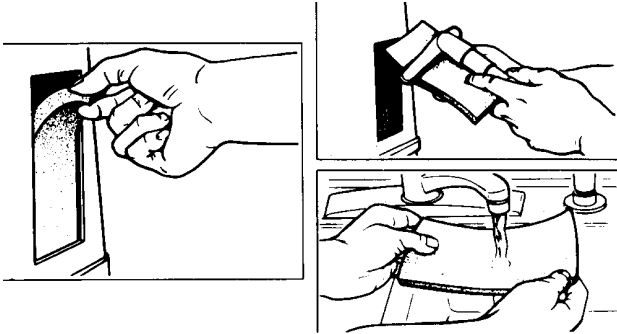


FIGURA 10 - LIMPIEZA DE LOS FILTROS DEL ARMARIO

ARMARIO

ADVERTENCIA

DESENCHUFE el concentrador para limpiarlo. **NO** retire el armario a fin de evitar descargas eléctricas.

1. Asee el armario con un limpiador suave y un paño o esponja no abrasivos.

HUMEDECEDOR

NOTA: Siga las instrucciones del fabricante para limpiar el humidificador de oxígeno. Si no hay instrucciones al respecto, siga estos pasos.

1. Limpie diariamente el humidificador.
2. Lávelo con agua jabonosa y enjuáguelo en una solución compuesta por diez (10) partes de agua y una (1) de vinagre.
3. Enjuáguelo totalmente con agua caliente y vuelva a llenarlo con agua destilada hasta el nivel indicado en el humidificador.

ADVERTENCIA

NO rebase la botella del humidificador.

SOLUCIÓN DE PROBLEMAS

GUÍA PARA LA SOLUCIÓN DE PROBLEMAS

SÍNTOMA:	CAUSA PROBABLE:	SOLUCIÓN:
<p>Alarma: TONOS CORTOS, PAUSA LARGA Concentrador NO funciona, Interruptor de encendido ACTIVADO Tono (bip....bip)</p>	<p>Perdida de alimentación principal:</p> <ol style="list-style-type: none"> 1. Cable eléctrico desenchufado. 2. Tomacorriente sin suministro eléctrico. 3. Cortacircuito desconectado. 	<ol style="list-style-type: none"> 1. Enchufe el cable. 2. Revise los cortacircuitos o fusibles del hogar. Use un tomacorriente distinto si el problema persiste. 3. Llame a su distribuidor para efectuar reparaciones.
<p>Alarma: CONTINUA Interruptor de encendido ACTIVADO.</p> <p>Concentrador NO FUNCIONA.</p> <p>Tono (biiiiiiip...)</p>	<p>Falla del sistema:</p> <ol style="list-style-type: none"> 1. Unidad sobrecalentada, entrada de aire obstruida. 2. Suministro insuficiente en el tomacorriente. 3. Deben realizarse reparaciones internas. 	<ol style="list-style-type: none"> 1a. Retire los filtros y límpielos. 1b. Mueva el concentrador a una distancia mínima de tres (3) pulgadas de la pared, cortinas o muebles. <ol style="list-style-type: none"> 2. No use cables de extensión. Use otro tomacorriente o circuito. 3. Llame a su distribuidor para efectuar reparaciones.
<p>LUZ AMARILLA o ROJA Iluminadas.</p> <p>*Sólo para los modelos SensO₂®</p>	<ol style="list-style-type: none"> *1. Pureza del oxígeno deficiente. *2. Tubos, cánula o humidecedor torcidos u obstruidos. *3. Flujómetro fijado en 1/2 L/min. o menos. 4. Unidad sobrecalentada, entrada de aire obstruida. 5. Suministro insuficiente en el tomacorriente. 6. Deben realizarse reparaciones internas. 	<ol style="list-style-type: none"> 1. Limpie o reemplace los filtros. 2. Revise si hay obstrucciones o bloqueos. Corrija los, límpielos o reemplácelos. Una vez solucionado el problema APAGUE la alimentación por 60 segundos, luego vuelva a ENCENDERLA. 3. Verifique que el flujómetro esté fijado en 1.0 L/min. o más. Revise las pautas recomendadas para el usuario final en la sección «instrucciones de operación» del manual (página 12). 4a. Retire y limpie los filtros. 4b. Mueva el concentrador a una distancia mínima de 3 pulgadas de la pared, cortinas o muebles. 5. No use cables de extensión. Use otro tomacorriente o circuito. 6. Llame a su distribuidor para efectuar reparaciones.
<p>LUZ VERDE con AMARILLA Destellando.</p>	<ol style="list-style-type: none"> 1. Deben realizarse reparaciones internas. 	<ol style="list-style-type: none"> 1. Llame a su distribuidor para efectuar reparaciones.

REGISTRO DEL MANTENIMIENTO PREVENTIVO PARA EL CONCENTRADOR DE OXÍGENO PLATINUM DE INVACARE



Yes, you can:

EN CADA INSPECCIÓN

Anote la fecha de servicio																				
Anote las horas transcurridas en el contador																				
Limpie los filtros del armario																				
Verifique el caudal del flujo preestablecido (l/min.)																				

CADA 90 DÍAS

Revise el concentrador de oxígeno (UNIDADES SIN SensO ₂ ®)																				
--	--	--	--	--	--	--	--	--	--	--	--	--	--	--	--	--	--	--	--	--

ANUALMENTE O DRANTE EL PROGRAMA DE MANTENIMIENTO PREVENTIVO

Limpie/reemplace los filtros del armario																				
Revise el filtro HEPA de salida																				
Reemplace el filtro en la entrada del compresor																				
Revise el concentrador de oxígeno (MODELOS SensO ₂ ®)																				
Revise la alarma de pérdida de potencia																				

SEGÚN SE REQUIERA

Limpie el intercambiador térmico																				
Reemplace el silenciador del escape																				
Refaccione el extremo superior del compresor																				

NO. DE MODELO IRC _____

NO. DE SERIE _____

REGISTRO DEL MANTENIMIENTO PREVENTIVO

GARANTÍA LIMITADA

NOTA: LA SIGUIENTE GARANTÍA CUMPLE LA LEY FEDERAL APLICABLE A PRODUCTOS FABRICADOS DESPUÉS DEL 4 DE JULIO DE 1975.

Esta garantía se ofrece sólo al comprador original de nuestros productos. Esta garantía le otorga derechos específicos, y usted puede tener otros derechos legales que pueden variar de un estado a otro.

Invacare Corporation garantiza que el concentrador de oxígeno Platinum no presentará defectos de material ni mano de obra por un período de cinco (5) años a partir de la fecha de compra.

El cuerpo de la válvula de 4 vías tiene una garantía vitalicia a partir de la fecha de compra. **NO ABRA NI INTENTE REPARAR EL CUERPO DE LA VÁLVULA**, pues ello anulará todas las garantías pertinentes. Si durante el periodo de vigencia de la garantía, y según el criterio de Invacare Corporation, se determina que el producto presenta defectos, éste será reparado o reemplazado, a opción de Invacare Corporation. Esta garantía cubre exclusivamente las reparaciones efectuadas por el Departamento de Servicios de Invacare o sus distribuidores autorizados, no abarca las reparaciones realizadas por el comprador o el usuario. La garantía no cubre el desgaste normal ni los gastos de envío. La única obligación de Invacare Corporation, y la solución exclusiva para el comprador bajo esta garantía, se limita a las reparaciones o reemplazos antedichos. La garantía no incluye elementos a los cuales se les somete a mantenimiento rutinario, como por ejemplo los filtros.

Para obtener el servicio de garantía, comuníquese con el departamento de servicios de Invacare Corporation llamando gratuitamente al número que aparece en la contratapa.

Tras recibir el aviso de un supuesto defecto, Invacare Corporation emitirá una autorización de devolución numerada. Luego será responsabilidad del comprador devolver toda la unidad o retirar, a costa suya, el o los componentes defectuosos identificados, embalarlos correctamente para que no se dañen y enviarlos ya sea a la planta de Invacare Corporation o al centro de servicio previamente especificado por Invacare Corporation. Los componentes defectuosos enviados para su revisión durante el periodo de garantía deben enviarse identificados mediante su número de serie dentro de treinta (30) días a partir de la fecha de autorización de la devolución. No devuelva ningún producto a la fábrica sin nuestro consentimiento previo. Se rechazarán todos los envíos realizados mediante el sistema de entrega contra reembolso (C.O.D); devuelva el producto con flete previamente pagado.

LIMITACIONES Y EXCLUSIONES: ESTA GARANTÍA NO CUBRE DAÑOS DERIVADOS POR NEGLIGENCIA, ACCIDENTES, OPERACIÓN, MANTENIMIENTO O ALMACENAMIENTO INDEBIDOS, ENTORNOS CON HOLLÍN O HUMO, USO COMERCIAL, U OTRA APLICACIÓN, USO O SERVICIO ANORMALES, NI PRODUCTOS MODIFICADOS SIN LA EXPRESA AUTORIZACIÓN POR ESCRITO DE INVACARE CORPORATION (INCLUYENDO, PERO SIN LIMITARSE A ELLO, MODIFICACIONES MEDIANTE EL USO DE PARTES O ACCESORIOS NO AUTORIZADOS), NI PRODUCTOS QUE SE HAYAN DAÑADO POR REPARAR ALGÚN COMPONENTE SIN EL CONSENTIMIENTO ESPECÍFICO DE INVACARE CORPORATION, NI PRODUCTOS DAÑADOS POR CIRCUNSTANCIAS QUE ESCAPEN AL CONTROL DE INVACARE CORPORATION.

ESTA GARANTÍA ES EXCLUSIVA Y REEMPLAZA A TODAS LAS DEMÁS GARANTÍAS EXPRESAS O IMPLÍCITAS, SI LAS HUBIERE. LAS GARANTÍAS IMPLÍCITAS DE COMERCIALIZACIÓN E IDONEIDAD PARA PROPÓSITOS ESPECÍFICOS NO SE EXTENDERÁN MÁS ALLÁ DE LA VIGENCIA DE ESTA GARANTÍA EXPRESA, Y LA SOLUCIÓN POR LA VIOLACIÓN DE ALGUNA GARANTIA IMPLÍCITA SE LIMITARÁ A LA REPARACIÓN O REEMPLAZO DEL PRODUCTO DEFECTUOSO, CONFORME A LOS TÉRMINOS AQUÍ ESTABLECIDOS. INVACARE CORPORATION NO SE RESPONSABILIZA EN MODO ALGUNO POR DAÑOS CONSECUENTES O INCIDENTALES.

Algunas jurisdicciones no permiten exclusiones o limitaciones a los daños incidentales o consecuentes ni a la duración de una garantía implícita, de modo que es posible que la exclusión y limitación anterior no sean pertinentes en su caso particular.

ESTA GARANTÍA CUMPLE LAS LEYES Y REQUISITOS ESTATALES Y PROVINCIALES



Yes, you can:

Invacare Corporation

www.invacare.com

USA

One Invacare Way
Elyria, Ohio USA
44036-2125
800-333-6900

699 Aero Lane
Sanford, Florida
32771
Technical Support:
Toll Free 800-832-4707

Canada

570 Matheson Blvd E Unit 8
Mississauga Ontario
L4Z 4G4 Canada
800-668-5324

Invacare, SensO₂, and Venture are registered trademarks of Invacare Corporation.
Homefill, Sieve-Gard, and Yes, you can. are trademarks of Invacare Corporation.

© 2001 Invacare Corporation
Part No. 1110514 Rev A 03/02

Free Manuals Download Website

<http://myh66.com>

<http://usermanuals.us>

<http://www.somanuals.com>

<http://www.4manuals.cc>

<http://www.manual-lib.com>

<http://www.404manual.com>

<http://www.luxmanual.com>

<http://aubethermostatmanual.com>

Golf course search by state

<http://golfingnear.com>

Email search by domain

<http://emailbydomain.com>

Auto manuals search

<http://auto.somanuals.com>

TV manuals search

<http://tv.somanuals.com>