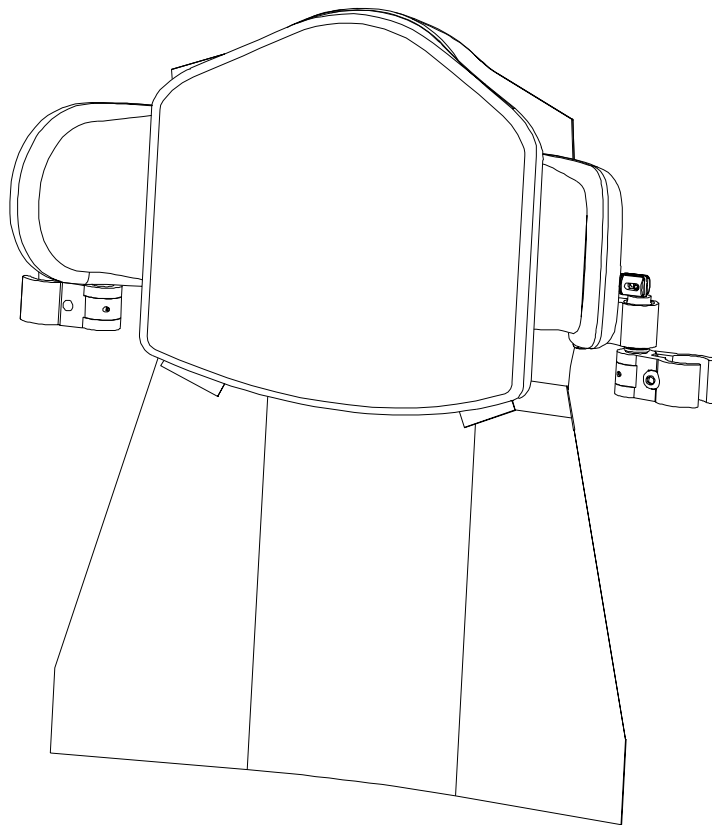


# ***Infinity™ LoBack™ Support***



**DEALER: THIS MANUAL MUST BE GIVEN TO THE USER OF THE WHEELCHAIR.**

**USER: BEFORE USING THIS WHEELCHAIR, READ THIS MANUAL AND SAVE FOR FUTURE REFERENCE.**



***Yes, you can.™***

**WARNING**

THE PROCEDURES IN THIS MANUAL MUST BE PERFORMED BY A QUALIFIED TECHNICIAN.

DO NOT INSTALL OR USE THIS EQUIPMENT WITHOUT FIRST READING AND UNDERSTANDING THIS MANUAL. IF YOU ARE UNABLE TO UNDERSTAND THE WARNINGS, CAUTIONS, AND INSTRUCTIONS, CONTACT A HEALTHCARE PROFESSIONAL, DEALER OR TECHNICAL PERSONNEL IF APPLICABLE BEFORE ATTEMPTING TO INSTALL OR USE THIS EQUIPMENT - OTHERWISE INJURY OR DAMAGE MAY RESULT.

SPECIAL NOTES

**SPECIAL NOTES**

NOTICE

THE INFORMATION CONTAINED IN THIS DOCUMENT IS SUBJECT TO CHANGE WITHOUT NOTICE.

WARNING/CAUTION notices as used in this manual apply to hazards or unsafe practices which could result in personal injury or property damage.

**SAVE THESE INSTRUCTIONS**

TABLE OF CONTENTS

**TABLE OF CONTENTS**

SPECIAL NOTES .....	2	PROCEDURE 3 - INSTALLING/REMOVING THE INFINITY LOBACK .....	10
SAFETY SUMMARY .....	3	INSTALLING/REMOVING THE INFINITY LOBACK .....	10
IMPORTANT INFORMATION .....	5	PROCEDURE 4 - ADJUSTING THE INFINITY LOBACK .....	11
INSTALLATION/ADJUSTMENT OVERVIEW .....	5	ADJUSTING THE MOUNTING HARDWARE/HEIGHT .....	11
PROCEDURE 1 - PREPARING WHEELCHAIR .....	6	ADJUSTING THE DEPTH HARDWARE .....	11
INSTALLING/REMOVING CANE CLAMPS .....	6	ADJUSTING THE ANGLE .....	12
PROCEDURE 2 - PREPARING THE INFINITY LOBACK FOR INSTALLATION .....	7	ADJUSTING THE LATERAL SUPPORTS .....	13
INSTALLING/REMOVING THE LATERAL SUPPORTS .....	7	PROCEDURE 5 - MAINTENANCE .....	15
INSTALLING/REMOVING THE BACK CUSHION .....	8	INSTALLING/REMOVING CUSHION FOAM .....	15
INSTALLING/REMOVING THE MODESTY FLAP .....	9	INSPECTION .....	15
		CLEANING .....	15
		LIMITED WARRANTY .....	BACK COVER

# SAFETY SUMMARY

*NOTE: Check all parts for shipping damage. In case of damage, DO NOT use. Contact your Dealer for further instruction.*

## INSTALLATION WARNINGS

Stabilize from the ground up. A stable base, pelvis and footrests are requirements for any torso positioning system.

For proper installation of the Infinity LoBack and to reduce the risk of pressure sores, the adjustment procedures in this manual **MUST** be performed in the following order:

1. Adjusting the Mounting Hardware/Height
2. Adjusting the Depth Hardware
3. Adjusting the Angle
4. Adjusting the Lateral Supports

Ensure the cane clamps that secure the Infinity LoBack to the wheelchair are properly secured to the wheelchair **BEFORE** using. Otherwise, changes in seat depth will occur, making the wheelchair less stable.

After **ANY** adjustments, repair or service and **BEFORE** use, make sure all attaching hardware is tightened securely - otherwise injury or damage may occur.

## STABILITY WARNINGS

The seat height, seat depth, back height, tilt angle, back angle, pivot point of seat frame, seating system, caster position, size and position of the rear wheels, wheel locks, anti-tippers, locking collar as well as the user condition directly relate to the stability of the wheelchair. Any change to one (1) or any combination of the fourteen (14) may cause the wheelchair to decrease in stability. Use **EXTREME** caution when using a new seating position.

	Seat Height	Back Height	Seat Depth	Back Angle	Seating System	Tilt Angle	Seat Frame Pivot Point	Caster Position	Rear Wheel Size	Rear Wheel Position	User Condition	Wheel Locks	Anti-Tippers	Locking Collar	Seat Dump
Seat Height	●				✓	✓	✓	✓	✓	✓	✓		✓		✓
Back Height		●		✓	✓						✓				
Seat Depth			●	✓	✓	✓	✓	✓		✓	✓	✓	✓	✓	
Back Angle			✓	●	✓	✓	✓			✓	✓	✓	✓	✓	
Seating System	✓	✓	✓	✓	●	✓	✓	✓	✓	✓	✓	✓	✓	✓	
Tilt Angle	✓			✓	✓	●	✓			✓	✓	✓	✓	✓	✓
Seat Frame Pivot Point	✓		✓	✓	✓	✓	●		✓	✓	✓	✓	✓	✓	✓
Caster Position	✓		✓					●	✓	✓	✓	✓	✓		✓
Rear Wheel Size	✓							✓	●	✓		✓	✓		
Rear Wheel Position	✓		✓	✓	✓	✓	✓	✓	✓	●	✓	✓	✓		✓
User Condition	✓	✓	✓	✓	✓	✓	✓	✓	✓	✓	●	✓	✓	✓	
Seat Dump	✓			✓			✓	✓	✓	✓	✓	✓	✓		●
Locking Collar				✓		✓	✓				✓			●	

*NOTE: When changes to the left hand column occur, follow across the chart and refer to the ✓ procedure to maintain the proper stability, safety and handling of the wheelchair.*

*NOTE: Additional adjustments may be needed according to the wheelchair type. Refer to the wheelchair owner's manual for these procedures.*

## **SAFETY SUMMARY**

### **STABILITY WARNINGS (CONTINUED)**

**ALWAYS** make sure wheelchair is stable **BEFORE** reclining the back system. Rear wheels may have to be repositioned rearward depending on the degree of recline. **ALWAYS** ensure stability **BEFORE** using maximum amount of recline. **TEST** wheelchair **BEFORE** it is occupied by end user to ensure stability.

To maintain the stability of the wheelchair when moving the rear wheels to **ANY** forward position, the amount of recline **MUST** be limited to prevent the wheelchair from tipping onto the anti-tippers.

The necessary back angle **MUST** be selected **BEFORE** repositioning rear wheels forward.

**AS REGARDS RESTRAINTS - SEAT POSITIONING STRAPS - IT IS THE OBLIGATION OF THE DME DEALER, THERAPISTS AND OTHER HEALTH CARE PROFESSIONALS TO DETERMINE IF A SEAT POSITIONING STRAP IS REQUIRED TO ENSURE THE SAFE OPERATION OF THIS EQUIPMENT BY THE USER. SERIOUS INJURY CAN OCCUR IN THE EVENT OF A FALL FROM A WHEELCHAIR.**

### **SEATING PRESSURE WARNING**

Skin condition should be checked very frequently after the installation and use of any new seating system.

### **GENERAL WARNINGS**

Care should be taken to prevent the hook and loop fasteners from becoming wet. Prolonged contact with moisture may reduce the hold of the hook and loop fasteners.

## IMPORTANT INFORMATION

The best way to avoid problems related to pressure sores is to understand their causes and your role in a skin management program.

Your therapist and physician should be consulted if you have any questions regarding weight relief, self-examination of skin, or individual limitations and needs.

All cushions should be selected carefully. Working with your therapist, physician and equipment supplier is the best way to assure that a cushion choice matches your individual needs.

As the needs of the client become more complex, the cushion evaluation becomes more important.

## INSTALLATION/ADJUSTMENT OVERVIEW

### INSTALLATION/ADJUSTMENT OVERVIEW (FIGURE 1)

#### WARNING

For proper installation of the Infinity LoBack and to reduce the risk of pressure sores, the adjustment procedures in this manual **MUST** be performed in the following order:

1. Adjusting the Mounting Hardware/Height
2. Adjusting the Depth Hardware
3. Adjusting the Angle
4. Adjusting the Lateral Supports

Follow the steps below in order. Refer to the procedure below each step.

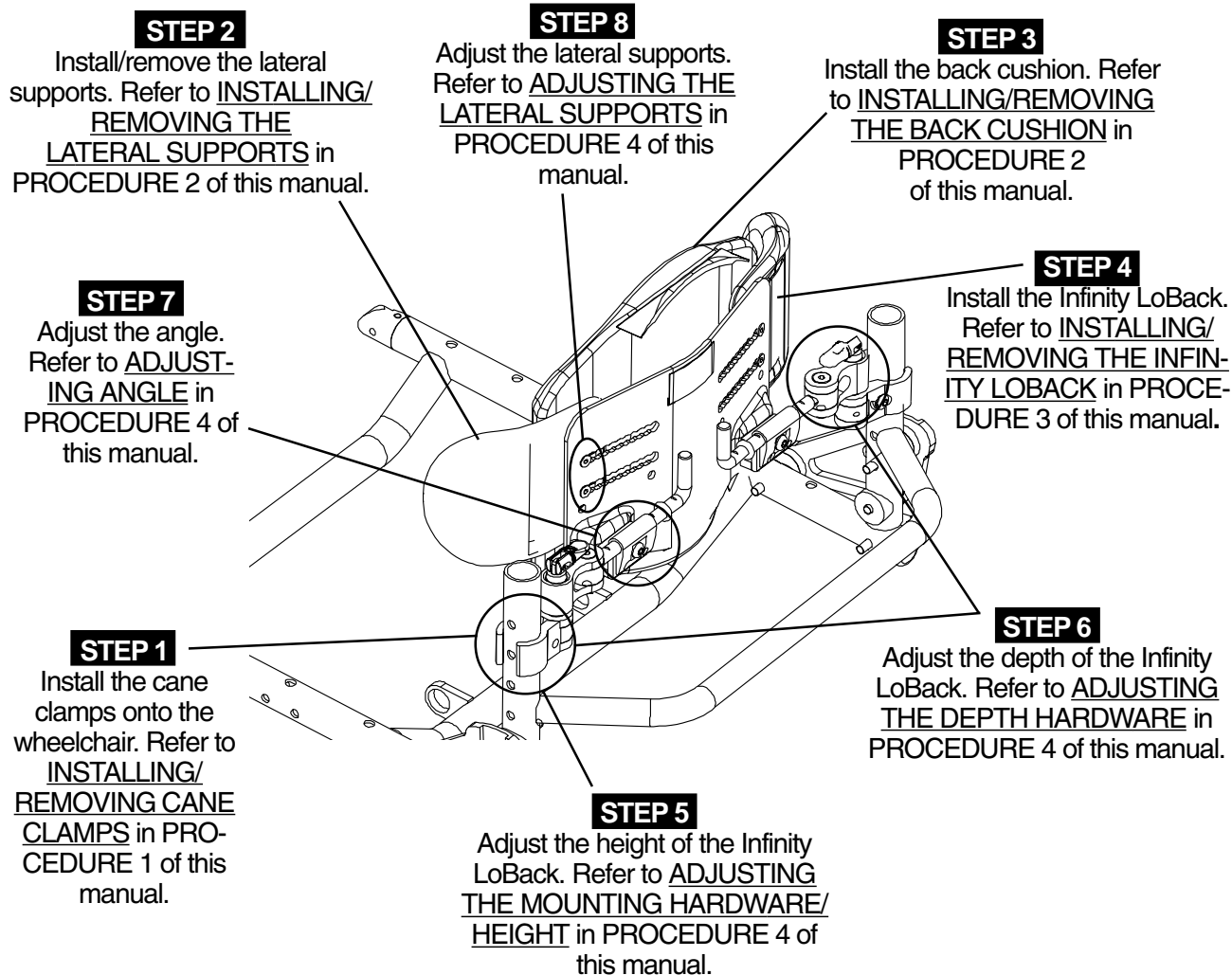


FIGURE 1 - INSTALLATION/ADJUSTMENT OVERVIEW

*This Procedure includes the following:*  
**Installing/Removing Cane Clamps**

### INSTALLING/REMOVING CANE CLAMPS (FIGURE 1)

**WARNING**  
 After ANY adjustments, repair or service and BEFORE use, make sure that all attaching hardware is tightened securely - otherwise injury or damage may result.

*NOTE: Refer to the INSTALLATION AND STABILITY WARNINGS in the SAFETY SUMMARY of this manual.*

#### Installing Cane Clamps

*NOTE: The final mounting positions of the cane clamps will be determined by the adjustments made to the Infinity LoBack to fit the wheelchair and user.*

1. Remove the existing back upholstery. Refer to the wheelchair Owner's Manual.
2. Hold the Infinity LoBack up to the back canes at the desired mounting height.
3. Visually inspect the location of the clamps on the Infinity LoBack to determine the proper positions for each cane clamp.
4. Loosen, but do not remove the mounting screw on one (1) of the cane clamps.
5. Position the cane clamp on one (1) back cane, making sure that the HEAD of the mounting screw faces TOWARD the REAR of the wheelchair . Hand tighten ONLY.

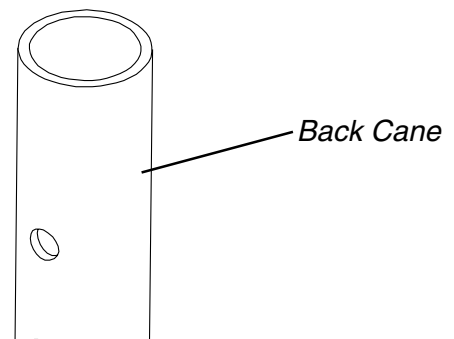
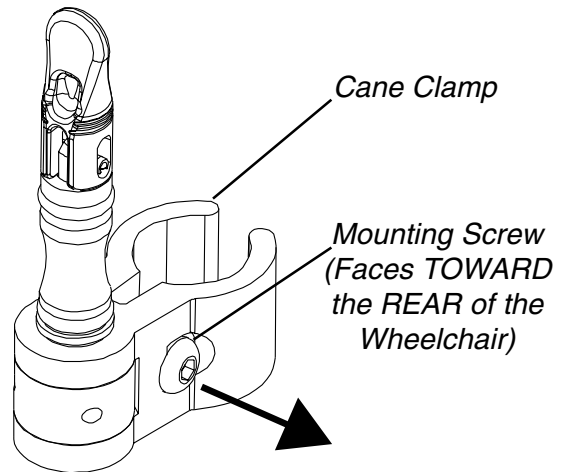
*NOTE: It is NOT necessary to tighten the two (2) mounting screws on the two (2) cane clamps at this time. The two (2) cane clamps will be adjusted AFTER the Infinity LoBack has been installed on the wheelchair and the user has been evaluated.*

6. Repeat STEPS 5-6 to install the other cane clamp on the opposite back cane.

*NOTE: Make sure that the two (2) cane clamps are in the position determined in STEP 3 AND that the two (2) cane clamps are in the same position on each back cane by measuring the distance from the bottom of each back cane to the bottom of each cane clamp.*

#### Removing Cane Clamps

1. Remove the Infinity LoBack from the wheelchair. Refer to REMOVING THE INFINITY LOBACK in PROCEDURE 3 of this manual.
2. Loosen, but do not remove the two (2) mounting screws on the two (2) cane clamps.
3. Remove the two (2) cane clamps from the two (2) back canes of the wheelchair.



**FIGURE 1 - INSTALLING/REMOVING CANE CLAMPS**

**This Procedure includes the following:**  
**Installing/Removing the Lateral Supports**  
**Installing/Removing the Back Cushion**  
**Installing/Removing the Lower Flap**

**INSTALLING/REMOVING THE LATERAL SUPPORTS (FIGURE 1)**

**WARNING**  
 After ANY adjustments, repair or service and BEFORE use, make sure that all attaching hardware is tightened securely - otherwise injury or damage may result.

*NOTE: Refer to the INSTALLATION AND STABILITY WARNINGS in the SAFETY SUMMARY of this manual.*

**Installing**

*NOTE: The final mounting positions of the lateral supports will be determined by the adjustments made to the Infinity LoBack to fit the wheelchair and user.*

1. Remove the back cushion from the back panel. Refer to INSTALLING/REMOVING THE BACK CUSHION in this procedure of the manual.

*NOTE: The lateral supports can be adjusted to three (3) different height positions (DETAIL "A").*

2. Align the upper, middle or lower mounting holes in the lateral support with the toothed adjustment slots in the back panel (DETAIL "A").

*NOTE: The grooves next to the mounting holes in the lateral supports are provided to ensure that opposite lateral supports are installed using the SAME mounting holes (FIGURE 1). To ensure that this occurs, install one (1) lateral support at the desired height and look through the toothed adjustment slot to see which mounting holes have been used. Then, install the opposite lateral support using the SAME mounting holes.*

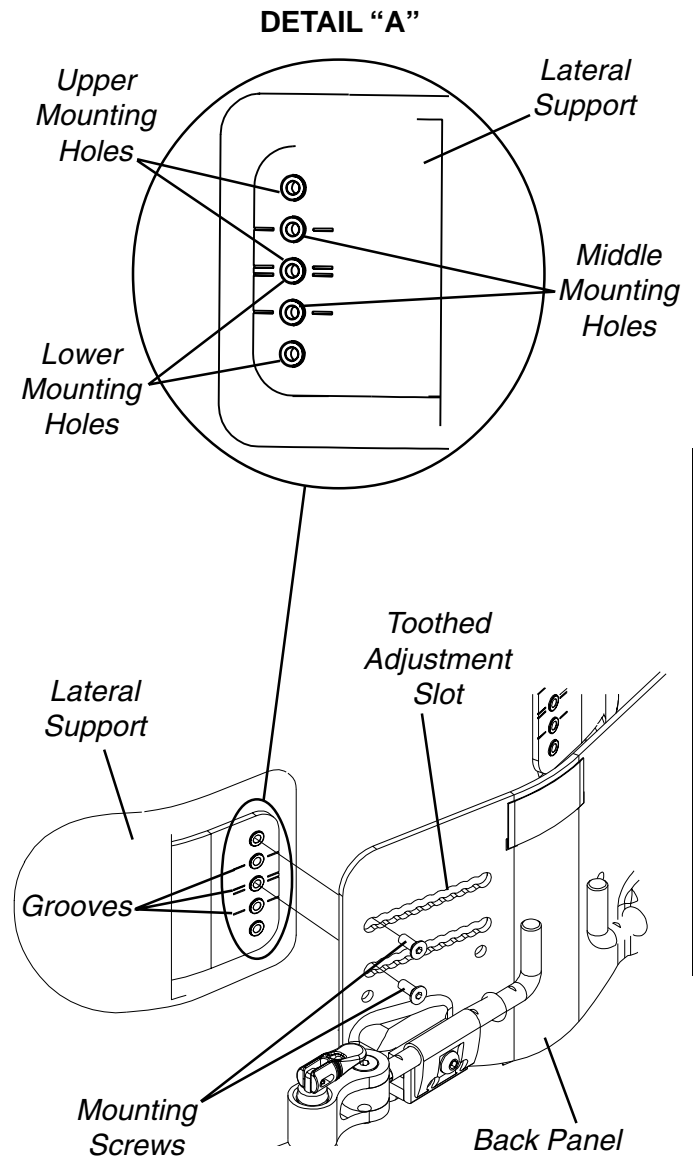
3. Install the two (2) mounting screws and washers that secure the lateral support to the back panel. Hand tighten ONLY.

*NOTE: It is NOT necessary to tighten the mounting screws on the lateral support at this time. The lateral supports will be adjusted AFTER the Infinity LoBack has been installed on the wheelchair and the user has been evaluated.*

4. Repeat STEPS 2-3 to install the OPPOSITE lateral support.
5. Reinstall the back cushion onto the back panel. Refer to INSTALLING/REMOVING THE BACK CUSHION in this procedure of the manual.

**Removing**

1. Remove the back cushion from the back panel. Refer to INSTALLING/REMOVING CUSHIONS in this procedure of the manual.
2. Remove the (2) mounting screws and washers securing the lateral support to the back panel.
3. Remove the lateral support.
4. Repeat STEPS 2-3 for the remaining lateral supports, if necessary.



**FIGURE 1 - INSTALLING/REMOVING THE LATERAL SUPPORTS**

**INSTALLING/REMOVING THE BACK CUSHION (FIGURE 2)**

*NOTE: Refer to the INSTALLATION AND STABILITY WARNINGS in the SAFETY SUMMARY of this manual.*

**CAUTION**

The cushion covers are designed to protect the foam against moisture and to provide fire retardency. **DO NOT** use the back without the covers. If the covers are torn, they **MUST** be replaced immediately.

*NOTE: Invacare recommends the use of a fire retardent cushion with the Infinity LoBack.*

**Installing**

1. Lift up on the modesty flap AND the fixed flap that covers the BACK of the cushion, and fold them so they hang over the FRONT of the cushion.

*NOTE: Modesty flap and fixed flap not shown in DETAIL "A" and DETAIL "B" for clarity.*

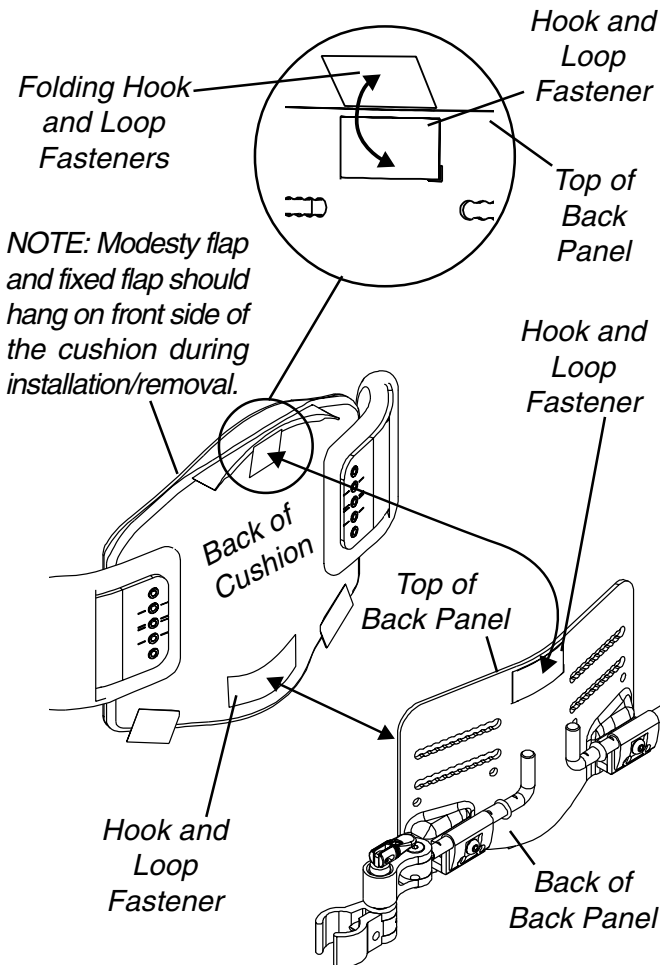
2. Align the hook and loop fasteners on the BACK of the cushion with the hook and loop fasteners on the FRONT of the back panel (DETAIL "A").

*NOTE: Make sure the cushion is centered on the back panel.*

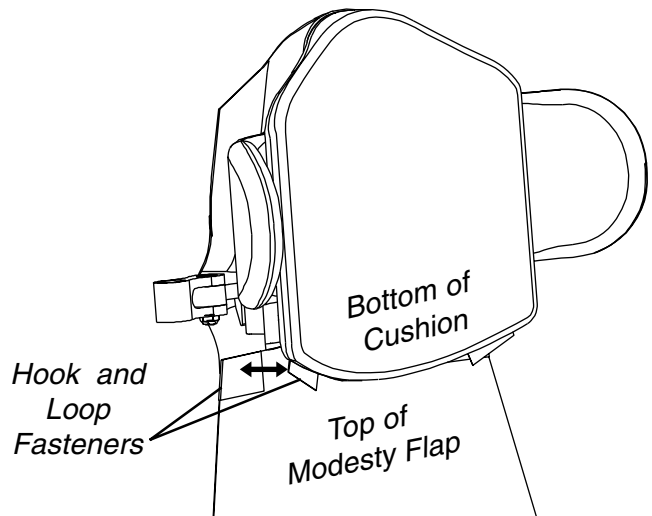
3. Make sure the hook and loop fasteners meet by firmly pushing the cushion and back panel together. (DETAIL "A").
4. Grasp the folding hook and loop fastener on the cushion and fold them over the TOP of the back panel, making sure they meet the hook and loop fastener on the BACK of the back panel (DETAIL "A").
5. Grasp the fixed flap AND the modesty flap and fold them so they cover the BACK of the back panel.
6. Align the two (2) hook and loop fasteners at the TOP of the modesty flap with the two (2) hook and loop fasteners at the BOTTOM of the cushion (DETAIL "B").

**DETAIL "A"**

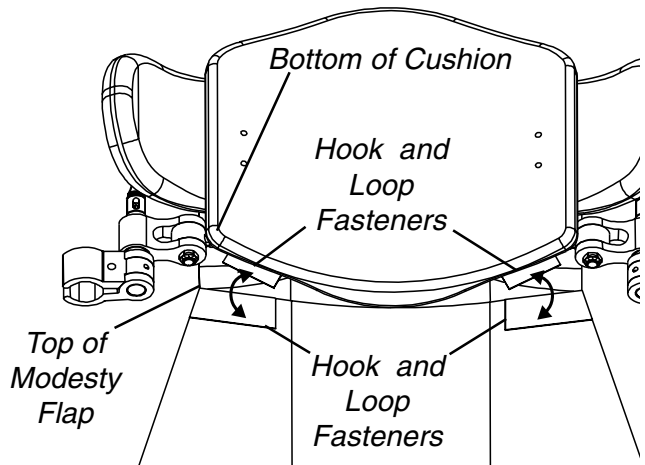
*NOTE: Front of back panel/hook and loop fastener (STEP 2-3) not shown for clarity.*



**DETAIL "B"**



**TOP VIEW**



**FIGURE 2 - INSTALLING/REMOVING THE BACK CUSHIONS**



7. Make sure the hook and loop fasteners meet by firmly pushing the TOP of the modesty flap and the BOTTOM of the cushion together.

**Removing**

1. Grasp the modesty flap AND the fixed flap.
2. Pull UP to release the two (2) hook and loop fasteners on the TOP of the modesty flap from the two (2) hook and loop fasteners on the BOTTOM of the cushion (DETAIL "B").
2. Fold the modesty flap AND the fixed flap over the FRONT of the cushion.
3. Grasp the two (2) folding hook and loop fasteners on the cushion and pull UP to release them from the two (2) hook and loop fasteners on the BACK of the back panel (DETAIL "A").
4. Grasp the cushion and pull it away from the back panel to release the remaining hook and loop fasteners on the cushion and back panel (DETAIL "A").
5. Remove the cushion.

**INSTALLING/REMOVING THE MODESTY FLAP (FIGURE 3)**

*NOTE: Refer to the INSTALLATION AND STABILITY WARNINGS in the SAFETY SUMMARY of this manual.*

**Installing**

1. Align the hook and loop fasteners at the TOP of the REAR side of modesty flap with the hook and loop fasteners at the BOTTOM of the FRONT side of the fixed flap (DETAIL "A").
2. Make sure the hook and loop fasteners meet by firmly pushing the TOP of the modesty flap and the BOTTOM of the fixed flap together (DETAIL "A").
3. Align the two (2) hook and loop fasteners at the TOP of the FRONT side of the modesty flap with the two (2) folding hook and loop fasteners at the BOTTOM of the REAR side of the cushion (DETAIL "B").
4. Make sure the hook and loop fasteners meet by firmly pushing the TOP of the modesty flap and the BOTTOM of the cushion together, making sure the hook and loop fasteners meet (DETAIL "B").

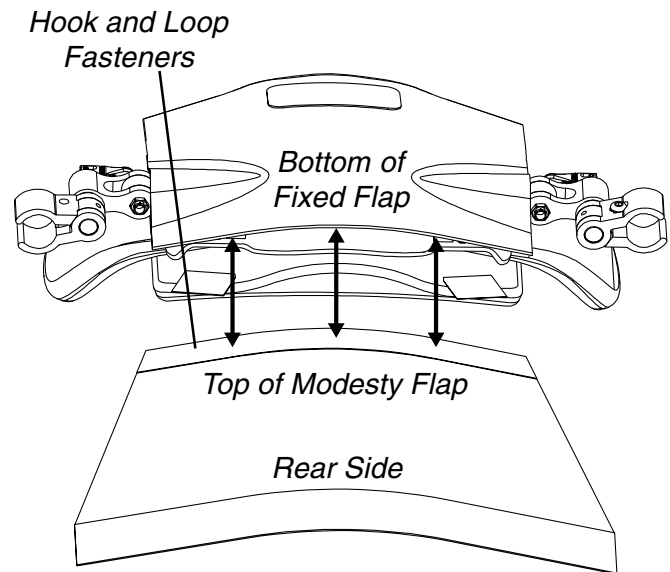
**Removing**

1. Grasp the two (2) hook and loop fasteners at the TOP of the FRONT side of the modesty flap and pull UP to release them from the two (2) hook and loop fastener at the BOTTOM of the REAR side of the cushion (DETAIL "B").

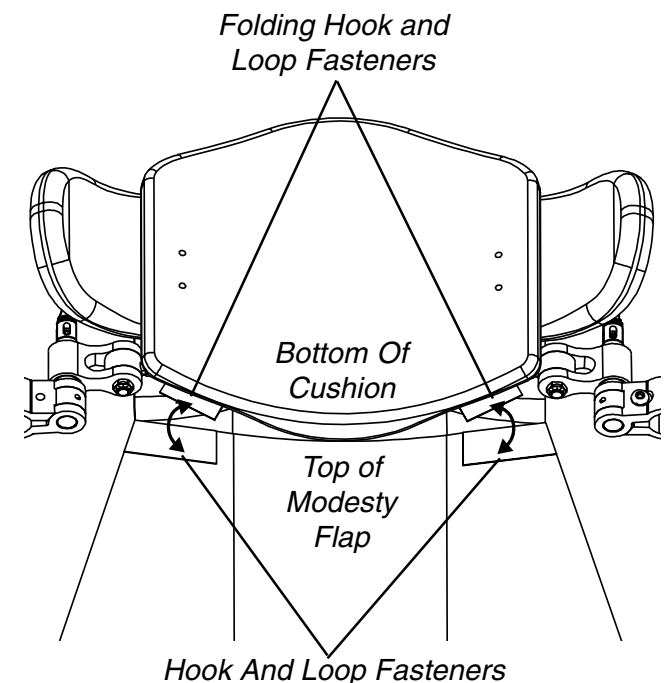
2. Grasp the modesty flap and pull DOWN to release the hook and loop fasteners at the TOP of the REAR side of the modesty flap from the hook and loop fasteners at the BOTTOM of the FRONT side of the fixed flap (DETAIL "A").
3. Remove the modesty flap.

**DETAIL "A"**

*NOTE: The hook and loop fasteners on the front side of the fixed flap are not shown for clarity.*



**DETAIL "B"**



**FIGURE 3 - INSTALLING/REMOVING THE MODESTY FLAP**

PREPARING THE LOBACK

FOR INSTALLATION

*This Procedure includes the following:  
Installing/Removing the Infinity LoBack*

### INSTALLING/REMOVING THE INFINITY LOBACK (FIGURE 1)

**WARNING**

After ANY adjustments, repair or service and BEFORE use, make sure that all attaching hardware is tightened securely - otherwise injury or damage may result.

NOTE: Refer to the INSTALLATION AND STABILITY WARNINGS in the SAFETY SUMMARY of this manual.

#### Installing the Infinity LoBack

1. Ensure the two (2) cane clamps are properly installed onto the wheelchair frame. Refer to INSTALLING/REMOVING CANE CLAMPS in PROCEDURE 1 of this manual.
2. If necessary, adjust the Infinity LoBack to fit on the back canes. Refer to ADJUSTING THE INFINITY LOBACK in PROCEDURE 4 of this manual.
3. Align the mounting holes in the two (2) Infinity LoBack mounting clamps with the locking pins on the two (2) cane clamps (FIGURE 1).
4. Lower the Infinity LoBack onto the wheelchair back canes, making sure the locking pins on the two (2) cane clamps pass through the mounting holes in the two (2) mounting clamps of the Infinity LoBack.
5. Firmly grasp the handle of the locking pin and bend it DOWN until it forms a 90° angle with the rest of the locking pin, then push it FORWARD to fully engage the lock. (DETAIL "A").

NOTE: The locking pin is fully engaged when the handle of the locking pin bends down to form a 90° angle with the rest of the of the locking pin.

6. Repeat STEP 5 for the opposite locking pin.
7. Ensure all cushions and lateral supports have been installed. Refer to PREPARING THE INFINITY BACK FOR INSTALLATION in PROCEDURE 2 of this manual.
8. Position the user into the wheelchair to determine which adjustments need to be made to properly fit the Infinity LoBack. Refer to the wheelchair owner's manual.
9. Remove the user from the wheelchair. Refer to the wheelchair owner's manual.
10. Perform the following procedures to adjust the Infinity LoBack to fit the user if necessary. Refer to ADJUSTING THE INFINITY LOBACK in PROCEDURE 4 of this manual.

- A. ADJUSTING THE MOUNTING HARDWARE/HEIGHT
- B. ADJUSTING THE DEPTH HARDWARE
- C. ADJUSTING THE ANGLE
- D. ADJUSTING THE LATERAL SUPPORTS

NOTE: Perform the above procedures in the order listed.

11. Inspect all mounting screws to ensure ALL hardware has been tightened securely. Torque to 45-50 in./lbs.
13. If necessary, repeat STEPS 8-11 until the user is comfortable.

#### Removing the Infinity LoBack

1. Grasp the handle of one (1) of the locking pins and push it BACK to release the lock, and then pull it UPWARD until the handle is parallel with the rest of the locking pin.
2. Repeat STEP 5 for the opposite locking pin.
3. Grasp the Infinity LoBack from the bottom and pull upward to release it from the mounting pins on the two (2) cane clamps.
4. Remove the Infinity LoBack.

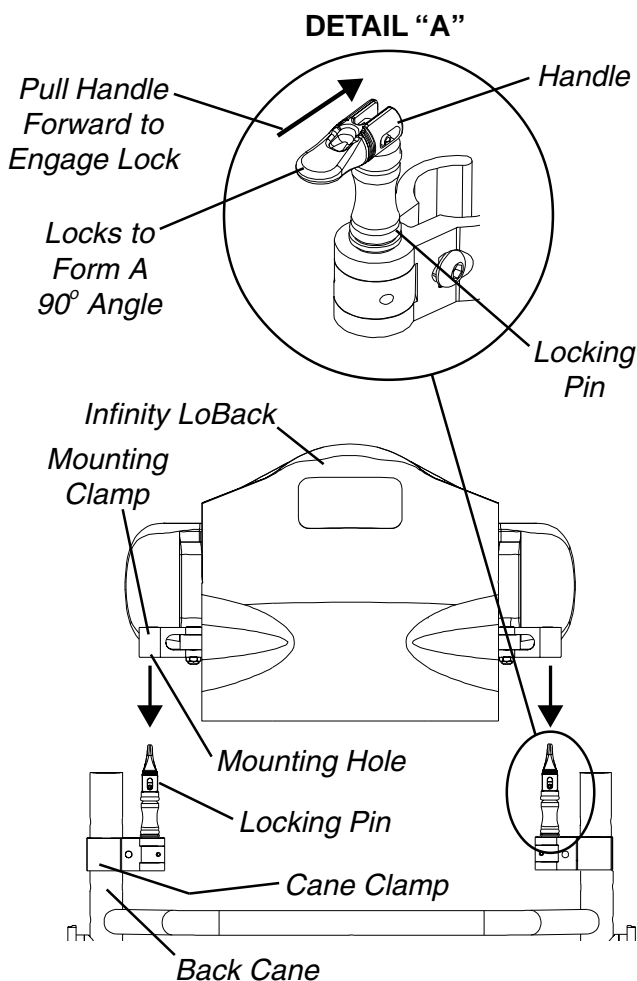


FIGURE 1 - INSTALLING/REMOVING THE INFINITY LOBACK

***This Procedure includes the following:***

***Adjusting the Height***

***Adjusting the Depth Hardware***

***Adjusting the Angle***

***Adjusting the Lateral Supports***

### **WARNING**

For proper installation of the Infinity LoBack and to reduce the risk of pressure sores, the adjustment procedures below **MUST** be performed in the following order:

1. Adjusting the Mounting Hardware/Height
2. Adjusting the Depth Hardware
3. Adjusting the Angle
4. Adjusting the Lateral Supports

*NOTE: After performing each procedure, place the user in the wheelchair and inspect to ensure the correct adjustments have been made for user comfort. If necessary, repeat the procedure until the user is comfortable.*

## **ADJUSTING THE MOUNTING HARDWARE/HEIGHT (FIGURE 1)**

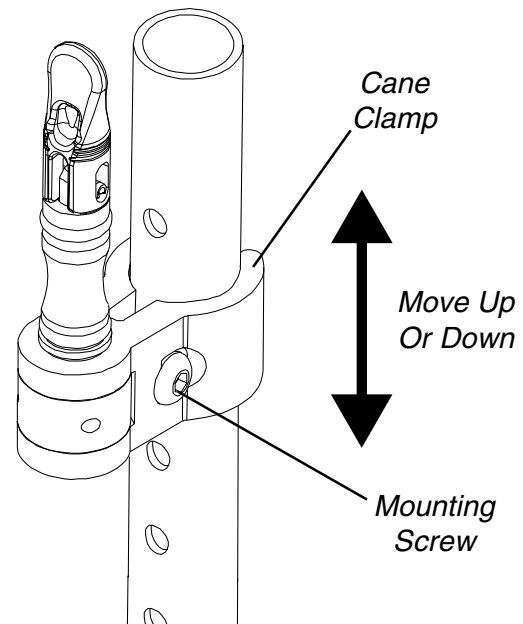
*NOTE: Refer to the INSTALLATION AND STABILITY WARNINGS in the SAFETY SUMMARY of this manual.*

1. Remove the Infinity LoBack from the wheelchair. Refer to INSTALLING/REMOVING THE INFINITY LOBACK in PROCEDURE 3 of this manual,
2. Loosen the mounting screw on the cane clamp.
3. Move the cane clamp up or down until the desired position is achieved.

6. Torque the mounting screw to 45-50 in./lbs.
7. Repeat STEPS 2-6 for the opposite cane clamp.

*NOTE: Make sure that the two (2) cane clamps are in the same position on each back cane by measuring the distance from the bottom of each back cane to the bottom of each cane clamp.*

9. Reinstall the Infinity LoBack onto the wheelchair. Refer to INSTALLING/REMOVING THE INFINITY LOBACK in PROCEDURE 3 of this manual,



**FIGURE 1 - ADJUSTING THE MOUNTING HARDWARE/HEIGHT**

## **ADJUSTING THE DEPTH HARDWARE**

*NOTE: Refer to the INSTALLATION AND STABILITY WARNINGS in the SAFETY SUMMARY of this manual.*

*NOTE: The depth of the Infinity LoBack can be adjusted by maneuvering the cane clamps AND/OR by pivoting the adjustment brackets.*

### **Adjusting the Cane Clamps (Figure 2)**

1. Remove the Infinity LoBack from the wheelchair. Refer to INSTALLING/REMOVING THE INFINITY LOBACK in PROCEDURE 3 of this manual,
2. Hold the Infinity LoBack up to the wheelchair.
3. Visually inspect the Infinity LoBack and the wheelchair to determine the desired depth.

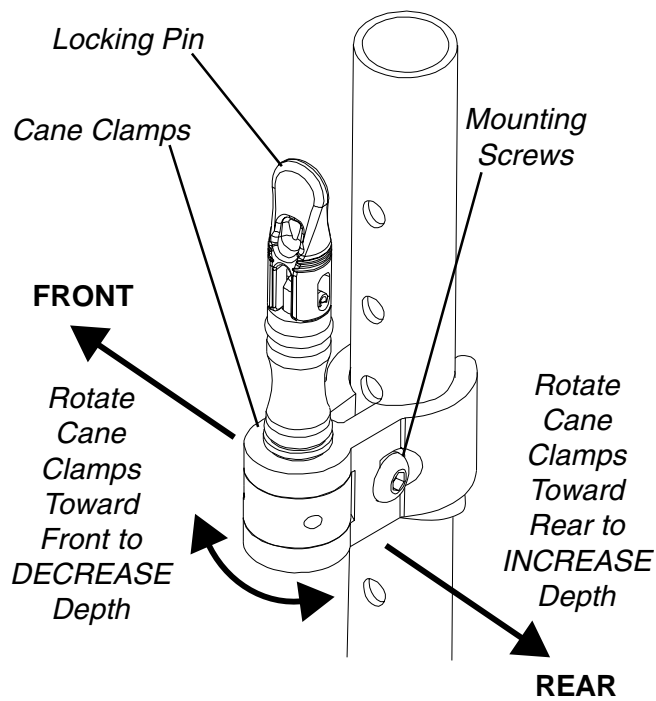
4. Loosen the two (2) mounting screws on the two (2) cane clamps.
5. Perform one (1) of the following to achieve the desired depth:
  - A. To **INCREASE** depth, rotate the two (2) cane clamps so that the locking pins are facing the **REAR** of the wheelchair.
  - B. To **DECREASE** depth, rotate the two (2) cane clamps so that the locking pins are facing the **FRONT** of the wheelchair.

*NOTE: By rotating the locking pins on the cane clamps toward the front or rear of the wheelchair, numerous depth positions can be achieved.*

6. Torque the two (2) mounting screws on the two (2) cane clamps to 45-50 in./lbs.

ADJUSTING THE LOBACK

7. Reinstall the Infinity LoBack onto the wheelchair. Refer to INSTALLING/REMOVING THE INFINITY LOBACK in PROCEDURE 3 of this manual.



TOP VIEW

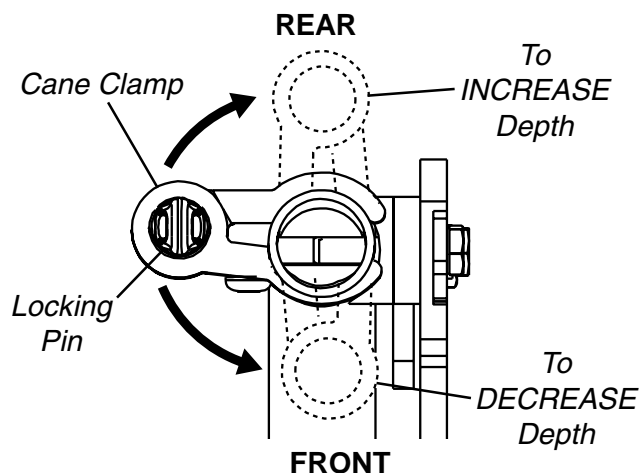


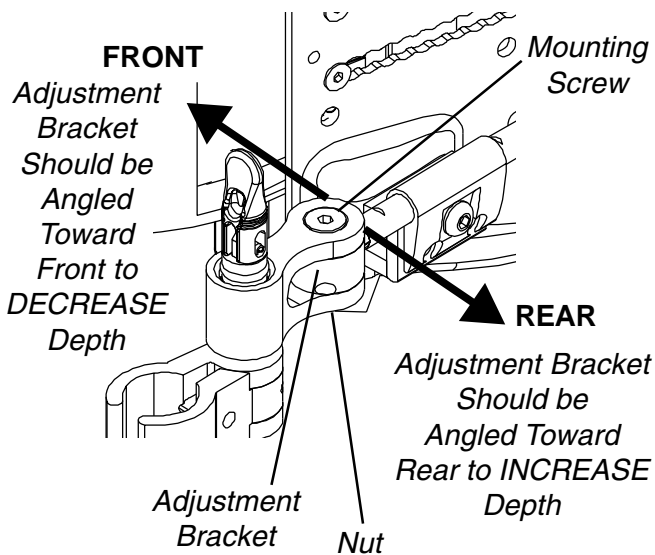
FIGURE 2 - ADJUSTING THE CANE CLAMPS

**Pivoting The Adjustment Brackets (Figure 3)**

1. Remove the Infinity LoBack from the wheelchair. Refer to INSTALLING/REMOVING THE INFINITY LOBACK in PROCEDURE 3 of this manual,
2. Hold the Infinity LoBack up to the wheelchair.
3. Visually inspect the Infinity LoBack and the wheelchair to determine the desired depth.
4. Loosen the two (2) mounting screws and nuts on the two (2) adjustment brackets.

*NOTE: When loosening the mounting screws/nuts, it is necessary to firmly hold the nuts in place while turning the mounting screws.*

5. Perform one (1) of the following to achieve the desired depth:
  - A. To INCREASE depth, pivot the two (2) adjustment brackets so that the mounting screws and nuts are facing the REAR of the chair.
  - B. To DECREASE depth, pivot the two (2) adjustment brackets so that the mounting screws and nuts are facing the FRONT of the chair.
6. Torque the two (2) mounting screws and nuts to 45-50 in./lbs (DETAIL "B").
7. Reinstall the Infinity LoBack onto the wheelchair. Refer to INSTALLING/REMOVING THE INFINITY LOBACK in PROCEDURE 3 of this manual.



TOP VIEW

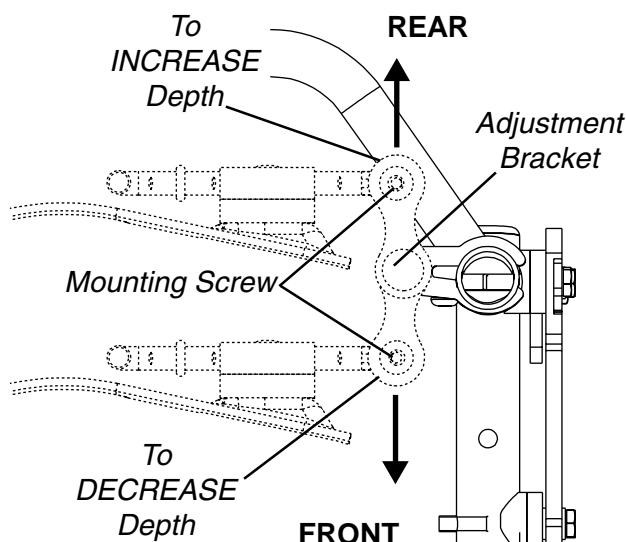


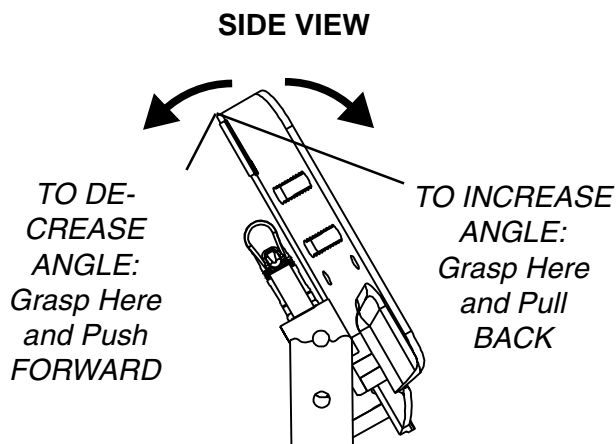
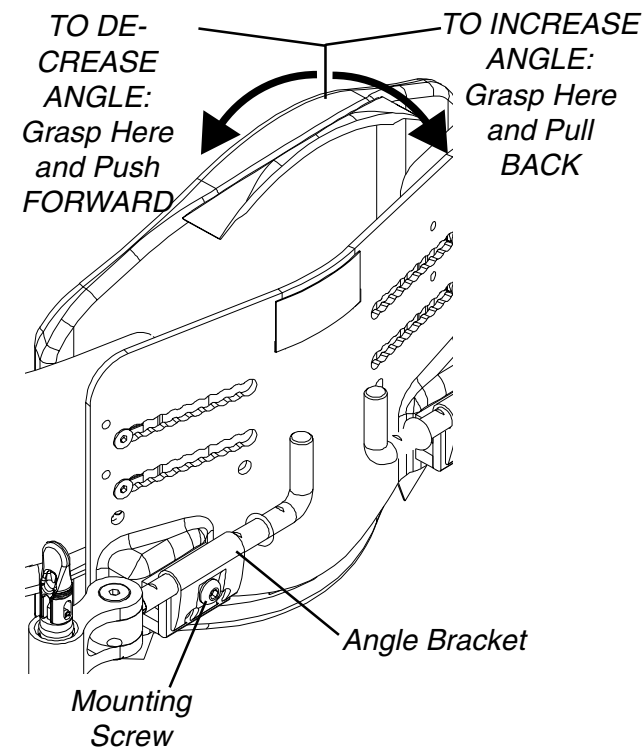
FIGURE 3 - PIVOTING THE ADJUSTMENT BRACKETS

**ADJUSTING THE ANGLE (FIGURE 4)**

*NOTE: Refer to the INSTALLATION AND STABILITY WARNINGS in the SAFETY SUMMARY of this manual.*

1. Remove the back cushion from the back panel. Refer to INSTALLING/REMOVING THE BACK CUSHION in PROCEDURE 2 of the manual.
2. Loosen the two (2) mounting screws on the two (2) angle brackets.
3. While standing behind the wheelchair, perform one (1) of the following:
  - A. To INCREASE the angle of the Infinity LoBack, grasp the TOP of the Infinity LoBack and pull BACK.

*NOTE: Modesty flap and fixed flap not shown for clarity.*



**FIGURE 4 - ADJUSTING THE ANGLE**

- B. To DECREASE the angle of the Infinity LoBack, grasp the TOP of the Infinity LoBack and push FORWARD.

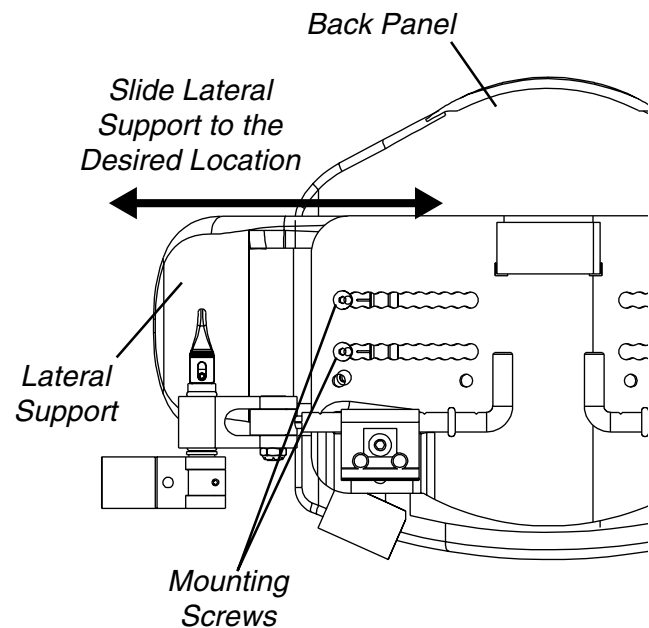
4. Torque the two (2) nuts on the two (2) angle brackets to 45-50 in./lbs.
5. Reinstall the back cushion onto the back panel. Refer to INSTALLING/REMOVING THE BACK CUSHION in PROCEDURE 2 of the manual.

**ADJUSTING THE LATERAL SUPPORTS**

*NOTE: Refer to the INSTALLATION AND STABILITY WARNINGS in the SAFETY SUMMARY of this manual.*

**Adjusting the Width (Figure 5)**

1. Remove the back cushion from the back panel. Refer to INSTALLING/REMOVING THE BACK CUSHION in PROCEDURE 2 of the manual.
2. Loosen, but DO NOT remove the two (2) mounting screws that secure the lateral support to the back panel.
3. Position the user in the wheelchair.
4. Slide one (1) lateral support to the desired location.
5. Torque the two (2) mounting screws that secure the lateral support to the back panel to 45-50 in./lbs.
6. Repeat STEPS 1-4 for the remaining lateral support.
7. Reinstall the back cushion onto the back panel. Refer to INSTALLING/REMOVING THE BACK CUSHION in PROCEDURE 2 of the manual.



*NOTE: Modesty flap and fixed flap not shown for clarity.*

**FIGURE 5 - ADJUSTING THE WIDTH**

ADJUSTING THE LOBACK

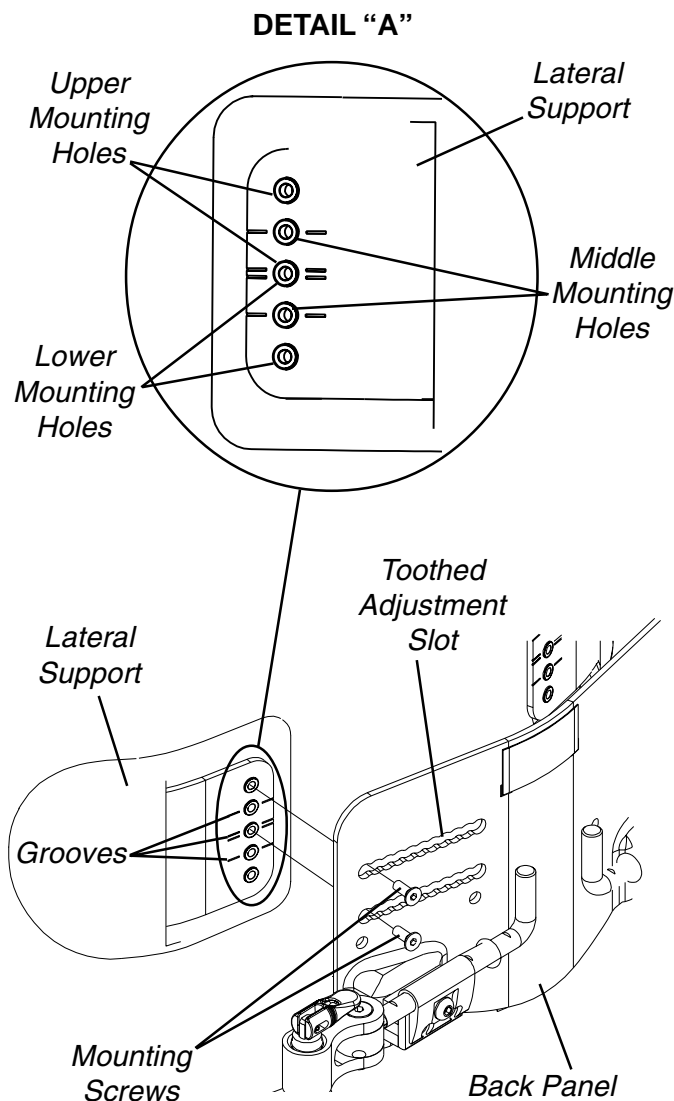
**Adjusting the Height (Figure 6)**

*NOTE: The lateral supports can be adjusted to three (3) different height positions (DETAIL "A").*

1. Remove the back cushion from the back panel. Refer to INSTALLING/REMOVING THE BACK CUSHION in PROCEDURE 2 of the manual.
2. Remove the two (2) mounting screws securing the lateral support to the back panel.
3. Position the lateral support in the upper, middle or lower position, aligning the mounting holes of the lateral support with the toothed adjustment slot in the back panel (DETAIL "A").

*NOTE: The grooves next to the mounting holes in the lateral supports are provided to ensure that opposite lateral supports are installed using the SAME mounting holes. To ensure that this occurs, install one (1) lateral support at the desired height position and look through the toothed adjustment slot to see which mounting holes have been used. Then, install the opposite lateral support using the SAME mounting holes.*

4. Install the two (2) mounting screws to secure the supports to the back panel.
5. Repeat STEPS 1-3 for the remaining lateral support.
6. Torque the two (2) mounting screws that secure the lateral support to the back panel to 45-50 in./lbs.
7. Adjust the width of the lateral supports. Refer to ADJUSTING THE WIDTH in this procedure of the manual.
8. Reinstall the back cushion onto the back panel. Refer to INSTALLING/REMOVING THE BACK CUSHION in PROCEDURE 2 of the manual.



*NOTE: Modesty flap and fixed flap not shown for clarity.*

**FIGURE 6 - ADJUSTING THE HEIGHT**

<i>This Procedure includes the following:</i>
<i>Installing/Remove Back Cushion Foam</i>
<i>Inspection</i>
<i>Cleaning</i>

## REPLACING THE BACK CUSHION FOAM (FIGURE 1)

*NOTE: Refer to the INSTALLATION AND STABILITY WARNINGS in the SAFETY SUMMARY of this manual.*

1. Remove the back cushion from the back panels. Refer to INSTALLING/REMOVING THE BACK CUSHIONS in PROCEDURE 2 of this manual.
2. Position the back cushion on a flat surface with the zipper facing UPWARDS.
3. Unzip the zipper.
4. Grasp the EXISTING cushion foam and remove it from the back cover.
5. Align the NEW cushion foam with the hole in the back cover.

*NOTE: Make sure the plastic insert on the NEW cushion foam is facing the REAR of the back cover and that the fingers on the plastic insert face the TOP of the back cover.*

6. Position the NEW cushion foam inside the back cover.
7. Position the zipper inside the pouch.
8. Reinstall the back cushion onto the back panels. Refer to INSTALLING/REMOVING THE BACK CUSHIONS in PROCEDURE 2 of this manual.

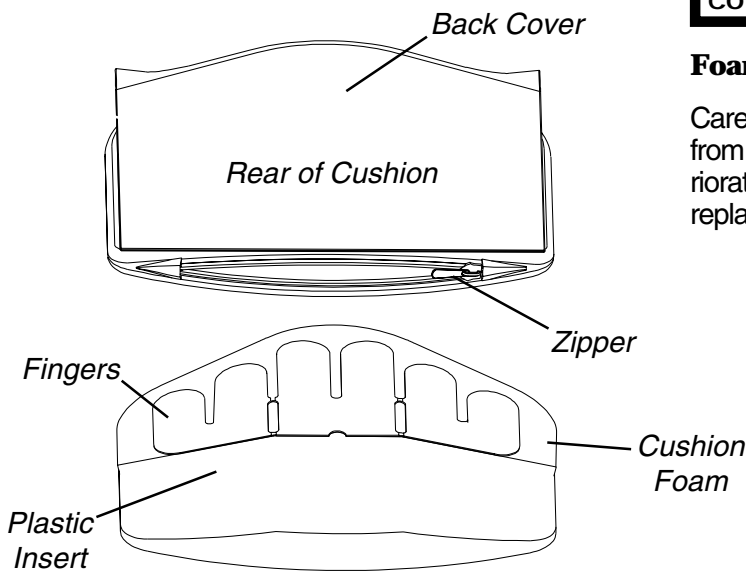


FIGURE 4 - REPLACING THE BACK CUSHION FOAM

## INSPECTION

### WARNING

INITIALLY AND ONCE A WEEK, visually inspect all parts, including hardware, upholstery materials, foams (if accessible), and plastics for deformation, corrosion, breakage, wear and/or compression.

Check ALL fasteners weekly to ensure that mechanical connections are secure.

DO NOT continue to use this product if any of the conditions described above are discovered.

*NOTE: Corrective maintenance can be performed at or arranged through your equipment supplier.*

### WARNING

Skin condition should be checked very frequently after the installation and use of any new seating system.

## CLEANING

### Cover

1. Machine wash the back covers in cold water on gentle cycle using a mild detergent ONCE A WEEK.

### WARNING

When washing the back covers - DO NOT use fabric softeners or bleach. DO NOT machine dry. Air dry ONLY. DO NOT dry in sun.

Failure to follow the washing instructions CAN reduce the flame retardency of the back cover.

### Foam

Care should be taken to prevent the back cushion foam from getting wet. If the back cushion foam begins to deteriorate from prolonged contact with moisture, it should be replaced immediately.

## LIMITED WARRANTY

PLEASE NOTE: THE WARRANTY BELOW HAS BEEN DRAFTED TO COMPLY WITH FEDERAL LAW APPLICABLE TO PRODUCTS MANUFACTURED AFTER JULY 4, 1975.

This warranty is extended only to the original purchaser/user of our products.

This warranty gives you specific legal rights and you may also have other legal rights which vary from state to state.

Invacare warrants its products to be free from defects in materials and workmanship for use by the original purchaser for a period of two (2) years from the date of purchase on the back and ninety (90) days from the date of purchase on the cover. If within such warranty period any such product shall be proven to be defective, such product shall be repaired or replaced, at Invacare's option. This warranty does not include any labor or shipping charges incurred in replacement part installation or repair of any such product. Invacare's sole obligation and your exclusive remedy under this warranty shall be limited to such repair and/or replacement.

For warranty service, please contact the dealer from whom you purchased your Invacare product. In the event you do not receive satisfactory warranty service, please write directly to Invacare at the address at the bottom of this page. Provide dealer's name, address, date of purchase, indicate nature of the defect and, if the product is serialized, indicate the serial number. Do not return products to our factory without our prior consent.

LIMITATIONS AND EXCLUSIONS: THE FOREGOING WARRANTY SHALL NOT APPLY TO SERIAL NUMBERED PRODUCTS IF THE SERIAL NUMBER HAS BEEN REMOVED OR DEFACED, PRODUCTS SUBJECTED TO NEGLIGENCE, ACCIDENT, IMPROPER OPERATION, MAINTENANCE OR STORAGE, COMMERCIAL OR INSTITUTIONAL USE, PRODUCTS MODIFIED WITHOUT INVACARE'S EXPRESS WRITTEN CONSENT INCLUDING, BUT NOT LIMITED TO, MODIFICATION THROUGH THE USE OF UNAUTHORIZED PARTS OR ATTACHMENTS; PRODUCTS DAMAGED BY REASON OF REPAIRS MADE TO ANY COMPONENT WITHOUT THE SPECIFIC CONSENT OF INVACARE, OR TO A PRODUCT DAMAGED BY CIRCUMSTANCES BEYOND INVACARE'S CONTROL, AND SUCH EVALUATION WILL BE SOLELY DETERMINED BY INVACARE. THE WARRANTY SHALL NOT APPLY TO PROBLEMS ARISING FROM NORMAL WEAR OR FAILURE TO ADHERE TO THESE INSTRUCTIONS.

THE FOREGOING WARRANTY IS EXCLUSIVE AND IN LIEU OF ALL OTHER EXPRESS WARRANTIES. IMPLIED WARRANTIES, IF ANY, INCLUDING THE IMPLIED WARRANTIES OF MERCHANTABILITY AND FITNESS FOR A PARTICULAR PURPOSE, SHALL NOT EXTEND BEYOND THE DURATION OF THE EXPRESSED WARRANTY PROVIDED HEREIN AND THE REMEDY FOR VIOLATIONS OF ANY IMPLIED WARRANTY SHALL BE LIMITED TO REPAIR OR REPLACEMENT OF THE DEFECTIVE PRODUCT PURSUANT TO THE TERMS CONTAINED HEREIN. INVACARE SHALL NOT BE LIABLE FOR ANY CONSEQUENTIAL OR INCIDENTAL DAMAGES WHATSOEVER.

THIS WARRANTY SHALL BE EXTENDED TO COMPLY WITH STATE/PROVINCIAL LAWS AND REQUIREMENTS.

Invacare Corporation [www.invacare.com](http://www.invacare.com)



**Yes, you can.™**

**USA**  
One Invacare Way  
Elyria, Ohio USA  
44036-2125  
800-333-6900

**Canada**  
5970 Chedworth Way  
Mississauga, Ontario  
L5R 3T9, Canada  
905-890-8838

Invacare is a registered trademark of Invacare Corporation.  
© 1999 Invacare Corporation

Form No. 99-221 Part No. 1095174 Rev A (1) 02/00



## Free Manuals Download Website

<http://myh66.com>

<http://usermanuals.us>

<http://www.somanuals.com>

<http://www.4manuals.cc>

<http://www.manual-lib.com>

<http://www.404manual.com>

<http://www.luxmanual.com>

<http://aubethermostatmanual.com>

Golf course search by state

<http://golfingnear.com>

Email search by domain

<http://emailbydomain.com>

Auto manuals search

<http://auto.somanuals.com>

TV manuals search

<http://tv.somanuals.com>