

8-Port Video Switch

GVS881 Quick Start Guide

Read this guide thoroughly and follow the installation and operation procedures carefully to prevent any damage to the unit and/or any of the devices it connects to.

GVS881 package contains:

- 1 8-Port Video Switch
- 1 Infrared Remote Control Handset
- 1 Infrared Receiver (with 6 ft / 1.8 m attached cable)
- 1 Video Cable (4 ft / 1.2 m)
- 1 AC Power Adapter
- 1 Quick Start Guide

Copyright © 2003 IOGEAR
All brand names and trademarks are the registered
property of their respective owners

PKG-M0090/QS



1. Welcome

Congratulations on purchasing your IOGEAR® 8-Port Video Switch! Once again, IOGEAR® brings cutting-edge technology to your Macintosh or PC. (You will enjoy the quality and convenience that has made IOGEAR® an industry-standard.)

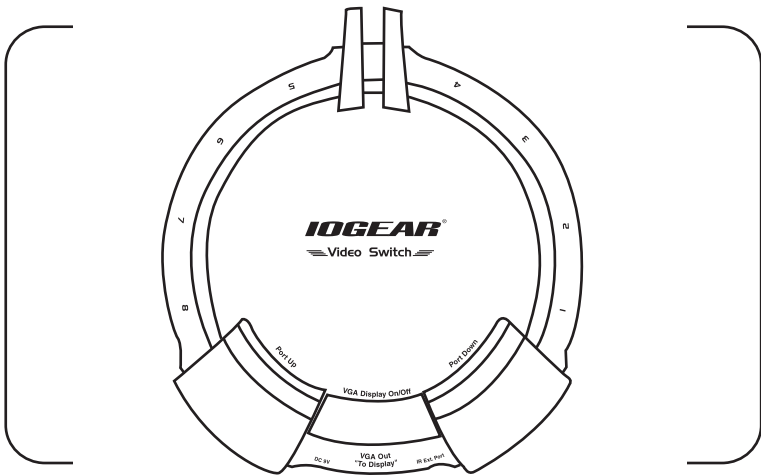
Note:

Your order has been carefully packaged and inspected, and we hope you are pleased with the IOGEAR® product you purchased. Please inspect the contents of the package to ensure that you have received all items and that nothing has been damaged. If you discover a problem, please contact your dealer immediately for assistance.

Contact Information:

949-453-8782
23 Hubble
Irvine, CA 92618
USA
www.iogear.com
support@iogear.com

8 Port Video Switch



2. Hardware Requirements & Features

System Requirements

- One VGA, SVGA, XGA or MultiSync compatible analog monitor with a standard PC high-density cable having a 15 pin HDB type male connector
- Each Mac or PC must have a standard 15 pin HDB-type female connector per computer
- A video cable with one male and one female HDB-15 connector at each end for each computer to be used.

NOTE:

One (1) video cable is supplied with this unit.

Features

- Displays the video output of eight separate computers on a single monitor or projector
- New modern concentric design with logical connector layout for quick and easy access
- Fast and convenient computer selection via push buttons or infrared (IR) remote control
- External IR receiver (6 ft / 1.8 m) for maximum efficiency and convenience
- Extra-thin IR handset allows for easy storage in the mother unit
- Electronic switching for greater reliability and durability
- High resolution video - up to 2048 x 1536; DDC; DDC2; DDC2B
- Supports VGA, SVGA, XGA, and MultiSync monitors
- Easy installation -- no software required -- no configuration necessary!

3. Pictorial Introduction

FRONT VIEW

1. IR Receiver Port

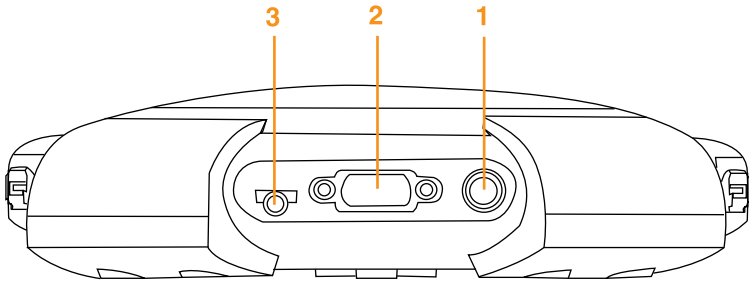
The external IR Receiver has an attached cable that allows it to be placed anywhere up to 6 ft / 1.8 m from the switch. The cable from the External IR Receiver plugs into this port.

2. Monitor Port

The cable from the monitor or digital projector plugs into this port.

3. Power Jack

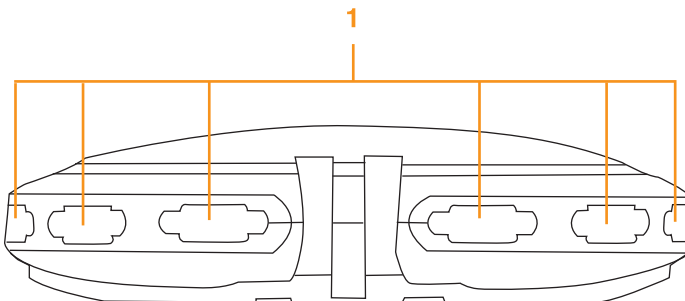
The AC Power Adapter cable plugs into this port.



REAR VIEW

1. Video Ports

The cable that connect to the video port on each connected computer will plug into one of these ports. There are eight video ports distributed around the GVS881's circumference.



TOP VIEW

1. Port LEDs

- The LED changes to Orange to indicate the computer connected to the corresponding port is online.
- The LED changes to Green to indicate the computer connected to the corresponding port is currently selected.
- The LED will go dark when the computer connected to the corresponding port is in Standby mode.

2. Port Down Switch

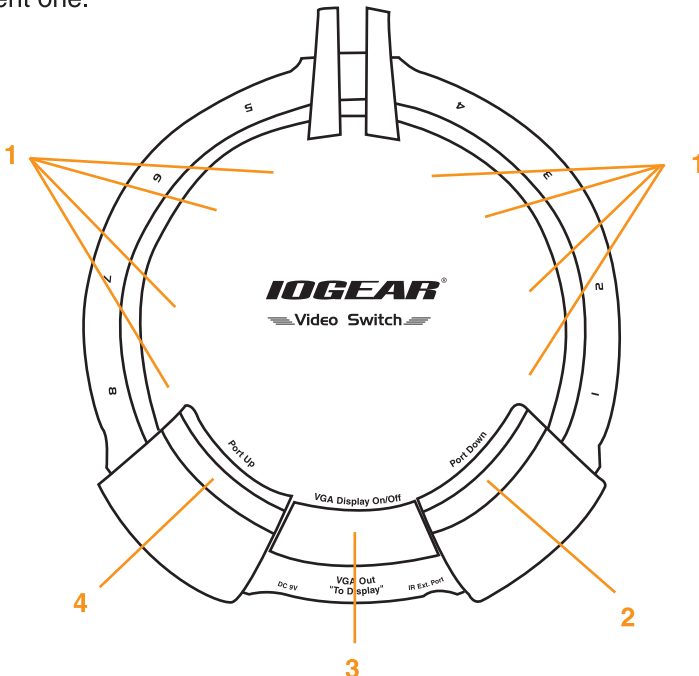
Press this button to switch the video port to the computer previous to the current one.

3. VGA Display On / Off

Powers the unit's VGA display ON and OFF.

4. Port Up Switch

Press this button to switch the video port to the computer subsequent to the current one.



IR Remote Control Unit

1. VGA Display ON/OFF

Powers the unit's VGA display ON and OFF

2. Port Up / Port Down

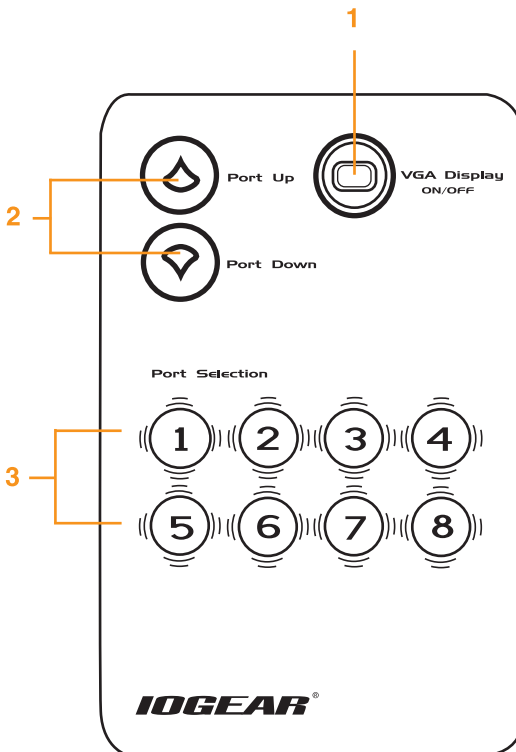
These buttons function in a similar manner to the Port Up / Port Down buttons on the main unit. Press these buttons to switch the video port to the Next or Previous computer in the series.

3. Port Selection

The numbers correspond to the video ports on the main unit. Press a button (1-8) to switch the video port to any computer connected to the main unit.

NOTE:

The GVS881's remote control handset comes packaged in protective plastic film. Please remove this film before using it with the GVS881 base unit.



4. Installation

Installation is simply a matter of plugging in cables.

Step. 1

Make sure that power to all devices you will be connecting have been turned off.

Step. 2

Plug the monitor or digital projector cable into the base unit's Monitor port.

Step. 3

Plug one end of the video cable (see System Requirements section on p. 3) into any available video port on the base unit, plug the other end into the computer's video port.

Step. 4

Plug the GVS881 power adapter (supplied with the package) into an AC source, plug the power adapter cable into the base unit's power jack.

Step. 5

Plug the IR Receiver cable into the IR Receiver port on the front of the main unit.

Step. 6

Power on all equipment.



Congratulations! You have completed
installing the IOGEAR® 8-Port Video Switch!

PORT SELECTION

Manual Port Up / Port Down

Use the Port Up and Port Down buttons located on the top of the GVS881 unit to cycle the video ports to the port you want.

The port LED changes from Orange to Green to indicate that the computer connected to the corresponding port is active.

IR Port Up / Port Down

The video can also be cycled among the computers using the Port Up and Port Down buttons of the IR Remote Control Unit (see p. 7).

NOTE:

The IR Remote Control is used in conjunction with the external IR Receiver (see diagram on p. 9).

IR DIRECT PORT SELECTION

Instead of cycling among the individual computers one-by-one, a computer can be directly selected by pushing the button the Remote Control that corresponds to its port number (1-8) on the main unit.

The selected port's LED will change from Orange to Green to indicate that the computer on the corresponding port is now selected.

NOTE:

The GVS881's Remote Control has a maximum infrared signal range of up to 10 meters. For optimum performance, make sure there is a clear line-of-sight between the remote and the base station.

5. Radio and TV Interference

This equipment has been tested and found to comply with the limits for a Class B digital device, pursuant to Part 15 of the FCC Rules. These limits are designed to provide reasonable protection against harmful interference in a residential installation. This equipment generates, uses and can radiate radio frequency energy and if not installed and used in accordance with the instructions, may cause harmful interference to radio communications. However, there is no guarantee that interference will not occur in a particular installation.

6. Warranty

IN NO EVENT SHALL THE DIRECT VENDOR'S LIABILITY FOR DIRECT, INDIRECT, SPECIAL, INCIDENTAL OR CONSEQUENTIAL DAMAGES RESULTING FROM THE USE OF THIS PRODUCT, DISK, OR ITS DOCUMENTATION EXCEED THE PRICE PAID FOR THE PRODUCT.

The direct vendor makes no warranty or representation, expressed, implied, or statutory with respect to the contents or use of this documentation, and especially disclaims its quality, performance, merchantability, or fitness for any particular purpose.

The direct vendor also reserves the right to revise or update the device or documentation without obligation to notify any individual or entity of such revisions, or updates. For further inquiries please contact your direct vendor.

Free Manuals Download Website

<http://myh66.com>

<http://usermanuals.us>

<http://www.somanuals.com>

<http://www.4manuals.cc>

<http://www.manual-lib.com>

<http://www.404manual.com>

<http://www.luxmanual.com>

<http://aubethermostatmanual.com>

Golf course search by state

<http://golfingnear.com>

Email search by domain

<http://emailbydomain.com>

Auto manuals search

<http://auto.somanuals.com>

TV manuals search

<http://tv.somanuals.com>