

**DESCRIPTION**

Energy Star qualified recessed lens wall wash luminaire with 4 inch square aperture utilizing horizontal 26W DTT or 26/32W TTT compact fluorescent lamp. The electronic compact fluorescent ballast meets stringent Energy Star requirements including FCC Title 47 CFR part 18 for consumer equipment. Platform is suitable for direct contact with insulation and 2x8 residential construction. Platform and element combination produces smooth vertical illumination with a minimal downlight component.

<b>Catalog #</b>		<b>Type</b>
<b>Project</b>		
<b>Comments</b>		<b>Date</b>
<b>Prepared by</b>		

**SPECIFICATION FEATURES**

**Frame**

Galvanized steel plaster frame with integral bar hanger receivers. Setscrews provide positive horizontal locking.

**Collar**

Matte black steel collar adjusts vertically for 1/2" - 1" thick ceilings and can be rotated +/- 7.5° thru the aperture. Integral gun sights facilitate the use of guide strings or laser lines. Shipped with a paint overspray protector.

**Housing**

Double wall aluminum housing painted matte black for a visually dark interior. Removable hinged top allows for top access. All fasteners are captive.

**Optical Element**

Mousetrap type springs pull flange tight to ceiling. Light trap eliminates spill light at edge of flange and reflector. Available in self-flanged or metal trim ring versions. May also be installed rimless using optional plastering lathing ring.

**Gaskets**

Closed cell gaskets achieve restrictive airflow requirements without additional caulking.

**Bar Hangers**

Captive preinstalled bar hangers adjusts from 8-1/2" to 24" wide; pass thru feature allows shortening without removal. Captive nail penetrates standard and engineered lumber. Mounting flange levels platform with ceiling. Integral clip attaches directly to t-bar.

**Primary Reflector**

Miro® Erotek segmented upper reflector. Accepts 26W DTT or 26/32W TTT compact fluorescent lamp.

**Lower Reflector**

Specular aluminum kicker reflector integral with angle cut parabolic shielding prismatic and glass spread lens. Provides smooth vertical illumination with a minimal downlight component. Available in a wide range of semi specular Alzak® finishes.

**Junction Box**

(7) 1/2" trade size pry outs, (3) integral clamps for non-metallic cable. Rated for (4) #12 thru branch circuits. Wago® type push wire connectors for field connections

**Ballast**

Energy Star thermally protected, current controlled rapid start 120VAC input ballast produces full light output and rated lamp life.

**Lamp Socket**

4 pin Gx24q3/4 base with rotary lock socket ensures positive lamp retention. Lamp socket locks into one of two positions accommodating different lamp lengths.

**Lamp**

Generic compact fluorescent lamp designations (by others)  
 - CFTR32W/GX24q 2700K  
 - CFTR32W/GX24q 3000K  
 - CFTR26W/GX24q 2700K  
 - CFTR26W/GX24q 3000K  
 Up to 12,000 hour rated average life. 82 CRI rated lamps provide excellent color and high visual comfort. Color temperature options offer 2700K warm or 3000K medium warm incandescent-like light.

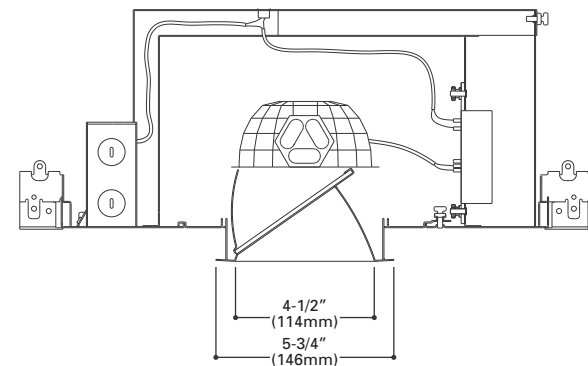
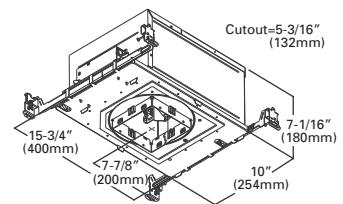
**Code Compliance**

Thermally protected, IP labeled, Energy Star qualified, cULus listed for protected damp locations and ASTM-E283 AIRTITE(tm). Suitable for direct contact with insulation. Meets EMI/RFI requirements per FCC part 18 consumer limits. Meets State of California Title 24, Washington State Energy Code, New York State Energy Conservation Construction Code, and International Energy Conservation Code.



**P40832ICAT**  
**P4081D26ICAT**  
**P4081D32ICAT**  
**E4LWW**  
 26W DTT, 26 or 32W TTT  
 Compact  
 Fluorescent

**4 Inch Square Lens Wall Wash**



ENERGY DATA	
Min. Starting Temp -18°C	Sound Rating Class A
EMI/RFI Emissions FCC Part 18 Consumer Limits	Power Factor > 0.98
Input Frequency 50/60 Hz	THD < 20%
THD < 10%	Input Voltage 120V
26W	Input Power 29W
	Input Current 0.24A
32W	Input Power 36W
	Input Current 0.31A

ENERGY DATA - DIMMING	
Min. Starting Temp 10°C	Sound Rating Inaudible in a 27dBa Ambient
EMI/RFI Emissions FCC Part 18 Consumer Limits	Power Factor > 0.95
Input Frequency 60 Hz	THD < 20%
Input Voltage 120V	THD < 20%
26W Input Current	0.27A
32W Input Current	0.33A

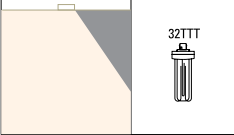
**ORDERING INFORMATION:** Complete unit consists of platform and optical element.

Platform	Optical Element	Finish	Flange	Accessories
<p><b>P40832ICAT</b> = 4" Square Aperture Energy Star IC Housing 26/32W</p> <p><b>P4081D26ICAT</b> = 4" Square Aperture 26W Lutron TuWire Dimming, Energy Star IC Housing</p> <p><b>P4081D32ICAT</b> = 4" Square Aperture 32W Lutron TuWire Dimming, Energy Star IC Housing</p>	<p><b>E4LWW</b> = 4" Square Aperture Lower Shielding Prismatic, Lens Wall Wash</p>	<p><b>Alzak® Finishes</b>                      H = Clear Haze                      WMH = Warm Haze                      WHH = Wheat Haze                      KH = Cognac Haze                      GPH = Graphite Haze                      CTH = Cobalt Haze                      CCH = Chocolate Haze                      BH = Black Haze  <b>Painted Finishes</b>                      MW = Matte White                      MB = Matte Black</p>	<p>[Blank] = Metal Trim Ring, Matte White                      SF = Self Flanged                      SFWF = Self Flanged, Matte White Flange</p>	<p><b>PLR4x4</b> = Plaster lathing ring for rimless  <b>RLA4x4</b> = Rimless adapter for solid ceiling surfaces  <b>MTR4MW</b> = Metal trim ring, matte white  <b>MTR4MB</b> = Metal trim ring, matte black  <b>MTR4SN</b> = Metal trim ring, satin nickel  <b>MTR4AC</b> = Metal trim ring, antique copper  <b>MTR4TBZ</b> = Metal trim ring, tuscan bronze</p>

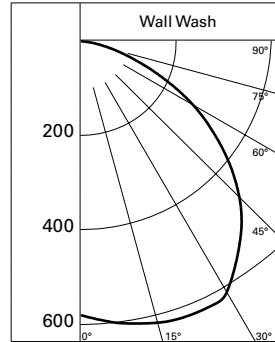
**Specifications and Dimensions subject to change without notice.**  
 Consult your representative for additional options and finishes.



**Photometric Results**

Efficiency = 38.6%
Test No. 254P239 Platform = P406TAT Element = E4LWWH Lumens = 2400 Lamp = CF32TTT/E/841


**Candlepower Distribution**



**Candelas**

CD Wall	Vertical Angle
0	90
4	85
75	75
198	65
340	55
468	45
563	35
615	25
608	15
586	5
572	0

**Zonal Lumens Summary**

Zone	Lumens	% Lamp	% Luminaire
0- 30	385	16	41.5
0- 40	574	23.9	61.9
0- 60	837	34.9	90.3
0- 90	927	38.6	100
90-180	0	0	0
0-180	927	38.6	100

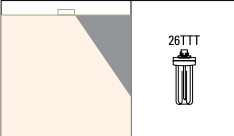
**Single Unit Footcandles**

DD	2' from wall (distance from fixture along wall)			
	1'	2'	3'	4'
1	40	16	4	1
2	41	24	8	3
3	25	18	9	4
4	14	12	7	4
5	8	7	5	3
6	5	4	3	2
7	3	3	2	2
8	2	2	2	1
9	2	1	1	1
10	1	1	1	1

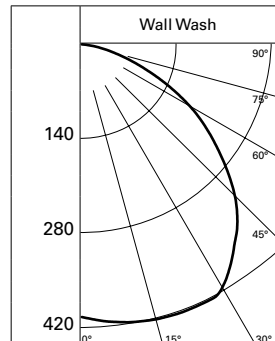
**Multiple Unit Footcandles**

DD	2' from wall (spacing between fixtures)					3' from wall (spacing between fixtures)						
	2'	3'	4'	5'	6'	3'	4'	5'	6'	7'		
1	49	34	49	42	17	42	13	9	13	11	5	11
2	60	55	60	47	30	47	26	20	26	23	13	23
3	45	45	45	32	28	32	27	24	27	22	16	22
4	32	32	32	22	21	22	22	22	22	18	16	18
5	22	22	22	15	15	15	18	18	18	14	13	14
6	15	16	15	11	11	11	14	14	14	11	11	11
7	11	11	11	8	8	8	11	11	11	8	9	8
8	8	9	8	6	6	6	9	9	9	7	7	7
9	6	7	6	5	5	5	7	7	7	5	5	5
10	5	5	5	4	4	4	6	6	6	4	5	4

**Photometric Results**

Efficiency = 36.0%
Test No. 254P240 Platform = P406TAT Element = E4LWWH Lumens = 1800 Lamp = CF26TTT/E/830


**Candlepower Distribution**



**Candelas**

CD Wall	Vertical Angle
0	90
3	85
53	75
138	65
233	55
323	45
389	35
424	25
422	15
412	5
404	0

**Zonal Lumens Summary**

Zone	Lumens	% Lamp	% Luminaire
0- 30	272	15.1	42
0- 40	403	22.4	62.3
0- 60	584	32.5	90.3
0- 90	647	36	100
90-180	0	0	0
0-180	647	36	100

**Single Unit Footcandles**

DD	2' from wall (distance from fixture along wall)			
	1'	2'	3'	4'
1	27	11	3	1
2	29	17	5	2
3	17	13	6	2
4	10	8	5	2
5	5	5	3	2
6	3	3	2	2
7	2	2	2	1
8	2	1	1	1
9	1	1	1	1
10	1	1	1	1

**Multiple Unit Footcandles**

DD	2' from wall (spacing between fixtures)					3' from wall (spacing between fixtures)						
	2'	3'	4'	5'	6'	3'	4'	5'	6'	7'		
1	33	24	34	29	11	29	9	6	9	8	3	8
2	41	38	41	33	20	33	17	14	18	12	6	12
3	31	31	31	22	19	22	18	17	18	14	9	14
4	22	22	22	15	15	15	15	15	15	13	11	13
5	15	15	15	10	10	10	12	12	12	10	10	10
6	11	11	11	7	8	7	10	10	10	8	8	8
7	8	8	8	6	6	6	7	8	7	6	6	6
8	6	6	6	4	4	4	6	6	6	5	5	5
9	5	5	5	3	3	3	5	5	5	4	4	4
10	4	4	4	3	3	3	4	4	4	3	3	3

## Free Manuals Download Website

<http://myh66.com>

<http://usermanuals.us>

<http://www.somanuals.com>

<http://www.4manuals.cc>

<http://www.manual-lib.com>

<http://www.404manual.com>

<http://www.luxmanual.com>

<http://aubethermostatmanual.com>

Golf course search by state

<http://golfingnear.com>

Email search by domain

<http://emailbydomain.com>

Auto manuals search

<http://auto.somanuals.com>

TV manuals search

<http://tv.somanuals.com>