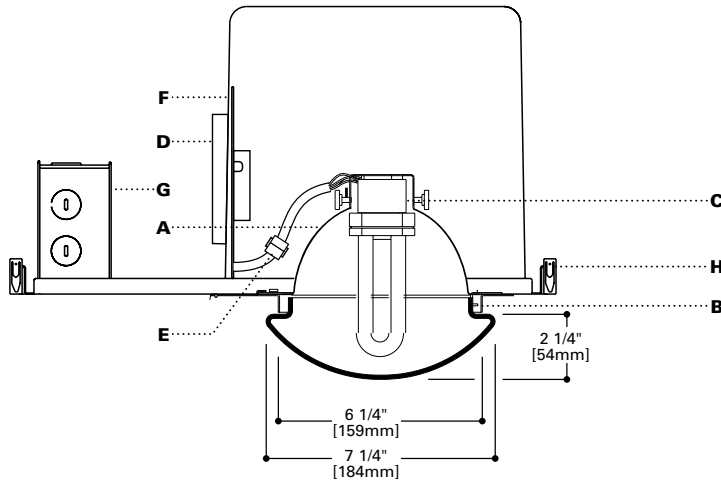


DESCRIPTION

Specification grade 32 Watt triple tube compact fluorescent fixture for use with narrow joist spacing in wet locations and in closets where light is needed on upper shelves. Insulation must be kept 3" from fixture sides and top of fixture. Veined Italian dropped glass diffuser provides a soft

smooth illumination pattern. Triple tube lamps provide excellent color and long life. Dimming ballast option is available. **Lamp module and optical element can be changed after installation to provide a variety of lamp sources and distributions. e.g. into a PAR36 Adjustable**



SPECIFICATION FEATURES

A...Reflector/Lens

.040 thick aluminum spun upper reflector with white powdercoat finish. Etched satin glass obscures lamp image.

B...Attachment

Positive torsion springs pull glass tight to ceiling. Gasket is a closed cell foam.

C...Socket

4 pin G24q3 base for 32/26W PLT, TBX and TTT lamps. Fatigue free stainless steel spring ensures positive lamp retention. Fixed socket height ensures consistent lamp position.

D...Electronic Ballast

Thermally protected, current controlled electronic ballast produces full light output and rated lamp life. Provides flicker free and noise free operation and starting. Meets stringent Class B requirements, FCC part 18, for non-commercial applications.

E...Electrical

Keyed quick connect provides easy lamp module installation.

F...Frame/Housing

Hot dipped galvanized 20 gauge steel frame with built in 1/2 inch plaster lip. Gunsights allow for consistent alignment. One piece 20 gauge steel housing for seamless construction is painted matte black for a visually dark interior.

G...Junction Box

18 cubic inches, listed for 4#12 AWG or 6#14 AWG 90° C additional feed through conductors, has five 1/2 inch pryouts.

H...Bar Hangers

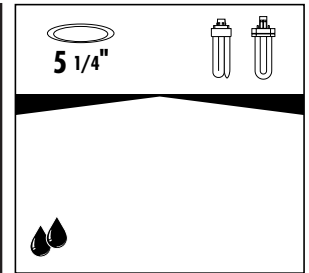
No Flex® bar hangers with positive locking, for use with wood, engineered wood and steel frame joists spaced up to 24" O.C. ship with platform. For use in T-bar ceilings order accessory MBCLP. Nailless barb and locator lip provide consistent installation height.

I...Codes

Thermally protected, IP labeled. Unit is airtight and exchanges less than 2.0 CFM with the plenum at a pressure of 75 pascals. Insulation must be kept three inches away from fixture sides and none on top as to entrap heat.

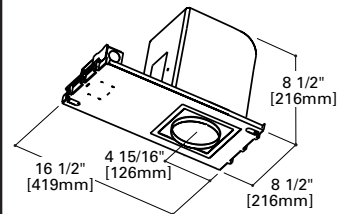
J...Labels

UL and cUL listed, standard wet label, IBEW union made.



PN5 M32T E5LUNA

**32W TRIPLE
COMPACT FLORESCENT
5" DROPPED LENS
SHOWERLIGHT**



Ceiling Cutout
6 1/4" [159mm]

ENERGY DATA 5" AirTight

Input Power:
120V = 36W
Input Current (Max.):
120V = .306
Power Factor:
120V = .98
T.H.D.:
120V = <10%

M32T Lutron

Input Power:
120V = 36W
Input Current (Max.):
120V = .33A
Power Factor:
120V = > .95
T.H.D.:
120V = <20%

ORDERING INFORMATION

Complete unit consists of a platform, module and element

Platform	Lamp Module	Optical Element	Accessories
PN5		E5LUNA	
PN5 = 5" Non-IC Housing	M32T = 32W Compact Fluorescent Ballast M32TLutron = 32W only Tu Wire Dimming	E5LUNA = 5" Dropped Lens Showerlight	MBCLP = 40 Push On T Bar Clips (for 10 Units) PLE5 = Plaster Lip Extension for Max 2" Thick Ceiling

PHOTOMETRICS

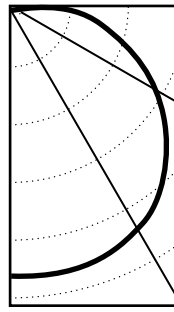
PN5-M32T-E5LUNA

Test No. H36081
 Lamp: 32W PLT
 Lumens: 2400
 Spacing: 1.4
 Efficiency: 35.9%
 Unit LPW: 23.9

Candelas

Vertical Angle	CD
90	48
85	59
75	84
65	114
55	144
45	173
35	196
25	211
15	218
5	219
0	219

Distribution



Cone of Light

Distance to Illum. Plane	Initial Nadir Footcandles	Beam Diameter
4'6"	11	6'0"
5'6"	7	7'0"
6'6"	5	8'6"
8'0"	3	10'6"
10'0"	2	13'0"
12'0"	2	15'6"

Lamp Multiplier:
26W= .75

**Single Fixture
2'0" Distance from Wall**

DD	1'	2'	3'	4'	
1	21	15	7	3	2
2	15	12	7	4	2
3	8	7	5	3	2
4	5	4	3	2	2
5	3	3	2	2	1
6	2	2	1	1	1
7	1	1	1	1	1
8	1	1	1	1	1
9	1	1	1	0	0
10	0	0	0	0	0

Zonal Lumen Summary

Zone	Lumens	%Lamp	%Luminaire
0-30	180	7.5	20.8
0-40	302	12.6	35.0
0-60	565	23.5	65.5
0-90	832	34.7	96.4
90-180	31	1.3	3.6
0-180	863	35.9	100.0

Coefficient of Utilization

Ceiling Reflectance	80%				70%		50%		30%		0%
	70	50	30	10	50	10	50	10	50	10	0
Room Cavity Ratio											
0	43	43	43	43	41	41	39	39	37	37	35
1	38	36	34	32	35	32	33	31	32	29	27
2	34	31	28	26	30	26	29	25	27	24	22
3	31	27	24	21	26	21	25	21	24	20	19
4	29	24	21	18	23	18	22	18	21	17	16
5	26	21	18	15	21	15	20	15	19	15	14
6	24	19	16	13	19	13	18	13	17	13	12
7	22	17	14	11	17	11	16	11	15	11	10
8	20	15	12	10	15	10	14	10	14	10	9
9	19	14	11	9	14	9	13	8	13	8	8
10	18	13	10	8	12	8	12	7	11	7	7

Notes and Formulas:

Cone of Light:

- Beam diameter is to 50% of maximum footcandles, rounded to the nearest half-foot.
- Footcandle values are initial. Apply appropriate light loss factors where necessary.

Wall Illumination:

- Illuminance values are cosine corrected initial values with no contribution from inter reflections from other room surfaces. Total illumination may increase from contributions from other surfaces.
- DD=Distance Down from Ceiling.

Note: Specifications and Dimensions subject to change without notice.

Visit our web site at www.cooperlighting.com



Customer First Center 1121 Highway 74 South Peachtree City, GA 30269 770.486.4800 FAX 770 486.4801 ADI030821
 Cooper Lighting 5925 McLaughlin Rd. Mississauga, Ontario, Canada L5R 1B8 905.507.4000 FAX 905.568.7049

Free Manuals Download Website

<http://myh66.com>

<http://usermanuals.us>

<http://www.somanuals.com>

<http://www.4manuals.cc>

<http://www.manual-lib.com>

<http://www.404manual.com>

<http://www.luxmanual.com>

<http://aubethermostatmanual.com>

Golf course search by state

<http://golfingnear.com>

Email search by domain

<http://emailbydomain.com>

Auto manuals search

<http://auto.somanuals.com>

TV manuals search

<http://tv.somanuals.com>