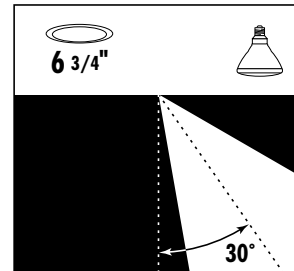
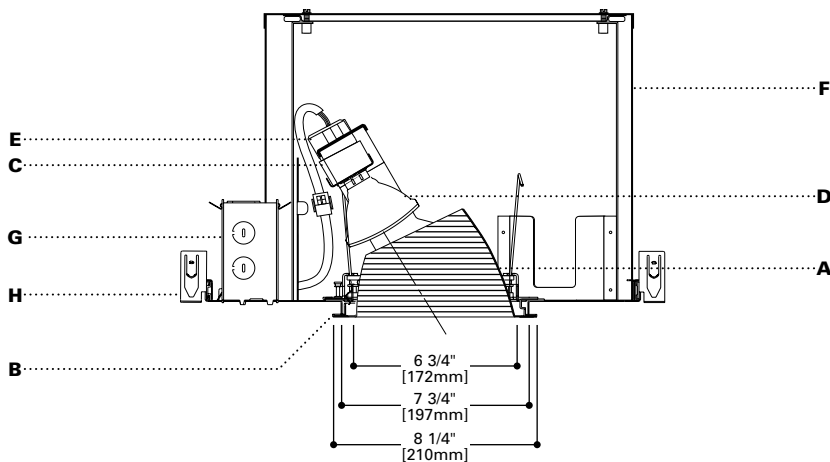


DESCRIPTION

Specification grade 90 watt PAR38/3 (side prong) adjustable fixture rated for direct contact with insulation. Adjustment mechanism features hot aiming capability, aiming marks and toolless locking. Optics provide glare-free 50° cutoff to

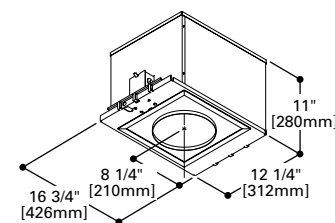
lamp. Unit can be relamped from above. **Lamp module and optical element can be changed after installation to provide a variety of lamp sources and distributions. e.g. into an A20 Wall Wash**



**P7
M7P383
E7AABB**

**90 W PAR38/3
Side Prong**

**7" ADJUSTABLE
BAFFLE**



SPECIFICATION FEATURES

A...Baffle

.040 thick aluminum spun sawtooth baffle in matte black or powdercoat white finish.

B...Flange

Die-cast flange with either matte white or clear coat finish. Die-cast flanges are easily removed for field painting. Elements are keyed for proper insertion.

C...Adjustability

Lamp locks in 361° rotation, 30° tilt (7/12 pitch). Unit is relamped without unlocking adjustments. Translating centerbeam optics maximize light output.

D...Attachment

Positive torsion springs pull flange tight to ceiling. Mechanical light trap eliminates spill light at edge of flange or baffle.

E...Socket

Medium porcelain side prong socket.

F...Frame/Housing

Hot dipped galvanized 20 gauge steel frame with built in 1/2 inch plaster lip. Gunsights provide con-

sistent alignment. Aluminum .032 thick housing allows for heat dissipation and reduces weight.

Top is removeable for above-ceiling access. Matte black housing interior.

G...Junction Box

18 cubic inches, listed for 4#12 AWG or 6#14 AWG 90° C additional feed through conductors, has six 1/2 inch pryouts.

H...Bar Hangers

No Flex® bar hangers with positive locking, for use with wood, engineered wood and steel frame joists spaced up to 24" O.C. shipped with platform. For use in T-bar ceilings order accessory MBCLP clips. Nailless barb and locator lip provide consistent installation height.

I...Codes

Thermally protected for use in direct contact with insulation, IP labeled, meets Washington State Air tight requirements, 1995 CABO Model Energy Code.

J...Labels

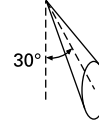
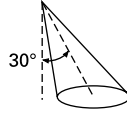
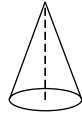
UL and cUL listed, standard damp label, IBEW union made.

ORDERING INFORMATION

Complete unit consists of a platform, module and element

Platform	Lamp Module	Optical Element	Finish	Flange	Accessories
P7					
P7 = 7" Airtight IC Rated Housing	M7P383 = 7" PAR38/3 Side Prong Adjustable Module	E7AA = 7" PAR38 30° Baffle	BB= Black Baffle WB= White Baffle	Blank= White die-cast RAW= Natural Die-cast	MBCLP = 40 Push On T Bar Clips (for 10 Units) PLE7 = Plaster Lip Extension for Max 2" Thick Ceiling

PHOTOMETRICS



Lamp	0° Aiming Angle Horizontal Footcandles				30° Aiming Angle Horizontal Footcandles					30° Aiming Angle Vertical Footcandles				
	D	FC	L	W	D	FC	L	W	CB	D	FC	L	W	CB
90 PAR/CAP/SPL/3FL30 30° x 30° CBCP: 3,500	4'	219	2.5	2.5	3'	292	2.6	2.3	1.7	2'	219	5.9	2.5	3.5
	5'	140	3.1	3.1	4'	164	3.3	2.9	2.3	3'	97	8.6	3.6	5.2
	6'	97	3.6	3.6	5'	105	4.1	3.5	2.9	4'	55	11.3	4.7	6.9
	7'	71	4.1	4.1	6'	73	4.8	4.1	3.5	5'	35	14.1	5.8	8.7
90 PAR/CAP/SPL/3WSP12 12° x 12° CBCP: 14,300	7'	292	1.9	1.9	6'	298	2.1	1.9	3.5	4'	223	3.9	2.1	6.9
	10'	143	2.5	2.5	8'	168	2.	2.3	4.6	5'	143	4.7	2.5	8.7
	13'	85	3.1	3.1	10'	107	3.2	2.8	5.8	6'	99	5.6	2.9	10.4
	16'	56	3.8	3.8	12'	74	3.8	3.3	6.9	7'	73	6.5	3.3	12.1

Notes and Definitions:

Luminance: To convert cd/m² to footlamberts, multiply by 0.2919

- Beam spread is to 50% center beam candlepower (CBCP.)
- Data shown is based on bare lamp photometrics.

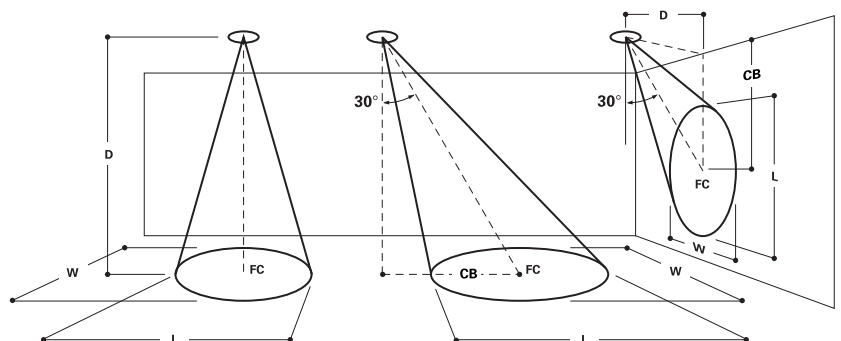
D=Distance to floor or wall.

FC=Footcandles on floor or wall at center beam aiming location.

L=Effective Visual Beam length in feet (50% of maximum footcandle level.)

W=Effective Visual Beam width in feet (50% of maximum footcandle level.)

CB=Distance across or down to center beam location.



Note: Specifications and Dimensions subject to change without notice.

Visit our web site at www.cooperlighting.com



Customer First Center 1121 Highway 74 South Peachtree City, GA 30269 770.486.4800 FAX 770 486.4801 ADI030704
Cooper Lighting 5925 McLaughlin Rd. Mississauga, Ontario, Canada L5R 1B8 905.507.4000 FAX 905.568.7049

Free Manuals Download Website

<http://myh66.com>

<http://usermanuals.us>

<http://www.somanuals.com>

<http://www.4manuals.cc>

<http://www.manual-lib.com>

<http://www.404manual.com>

<http://www.luxmanual.com>

<http://aubethermostatmanual.com>

Golf course search by state

<http://golfingnear.com>

Email search by domain

<http://emailbydomain.com>

Auto manuals search

<http://auto.somanuals.com>

TV manuals search

<http://tv.somanuals.com>