

ITT

Commercial Water

Goulds Pumps

G&L SERIES SSH-C and SSH-F
Installation, Operation and
Maintenance Instructions



Goulds Pumps is a brand of ITT Water Technology, Inc.
- a subsidiary of ITT Industries, Inc.

www.goulds.com

Engineered for life

Table of Contents

SUBJECT	PAGE
Safety Instructions	3
Important Instructions.....	3
Installation	3
Alignment	4
Suction Piping.....	4
Discharge Piping.....	4
Rotation	4
Operation.....	4
Maintenance	5
Disassembly	5
Reassembly.....	5
Troubleshooting Guide.....	6
Components	7
SSH S-Group – Engineering Data	9
SSH S-Group Close-Coupled – Dimensions & Weights	10
SSH S-Group Frame-Mounted – Dimensions & Weights.....	11
SSH M-Group – Engineering Data	12
SSH M-Group Close Coupled – Dimensions & Weights	13
SSH M-Group Frame-Mounted – Dimensions & Weights....	14
Goulds Pumps Limited Warranty	15
Declaration of Conformity	35

Owner's Information

Please fill in data from your pump nameplate.
Warranty information is on page 15.

Pump Model: _____

Serial Number: _____

Dealer: _____

Dealer's Phone Number: _____

Date of Purchase: _____

Installation Date: _____

SAFETY INSTRUCTIONS

TO AVOID SERIOUS OR FATAL PERSONAL INJURY OR MAJOR PROPERTY DAMAGE, READ AND FOLLOW ALL SAFETY INSTRUCTIONS IN MANUAL AND ON PUMP.

THIS MANUAL IS INTENDED TO ASSIST IN THE INSTALLATION AND OPERATION OF THIS UNIT AND MUST BE KEPT WITH THE PUMP.



This is a **SAFETY ALERT SYMBOL**. When you see this symbol on the pump or in the manual, look for one of the following signal words and be alert to the potential for personal injury or property damage.



DANGER Warns of hazards that **WILL** cause serious personal injury, death or major property damage.



WARNING Warns of hazards that **CAN** cause serious personal injury, death or major property damage.

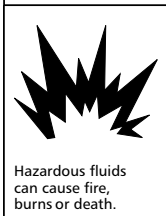


CAUTION Warns of hazards that **CAN** cause personal injury or property damage.

NOTICE: INDICATES SPECIAL INSTRUCTIONS WHICH ARE VERY IMPORTANT AND MUST BE FOLLOWED.

THOROUGHLY REVIEW ALL INSTRUCTIONS AND WARNINGS PRIOR TO PERFORMING ANY WORK ON THIS PUMP.

MAINTAIN ALL SAFETY DECALS.



Hazardous fluids can cause fire, burns or death.

UNIT NOT DESIGNED FOR USE WITH HAZARDOUS LIQUIDS OR FLAMMABLE GASES. THESE FLUIDS MAY BE PRESENT IN CONTAINMENT AREAS.

NOTICE: INSPECT UNIT FOR DAMAGE AND REPORT ALL DAMAGE TO THE CARRIER OR DEALER IMMEDIATELY.

1. Important Instructions

1. Inspect unit for damage. Report damage to carrier immediately.
2. Electrical supply must be a separate branch circuit with fuses or circuit breakers, wire sizes, etc., per National and Local electrical codes. Install an all-leg disconnect switch near pump.



Hazardous voltage can shock, burn or cause death.

ALWAYS DISCONNECT ELECTRICAL POWER WHEN HANDLING PUMP OR CONTROLS.

3. Motors must be wired for proper voltage (check nameplate). Wire size must limit maximum voltage drop to 10% of nameplate voltage at motor terminals, or motor life and pump performance will be lowered.
4. **Single-Phase:** Thermal protection for single-phase units is sometimes built-in (Check nameplate). If no built-in protection is provided, use a contactor with proper overload. Fusing is permissible if properly fused.
5. **Three-Phase:** Provide three-leg protection with proper size magnetic starter and thermal overloads.
6. Maximum Liquid Temperatures:
212°F (100°C) with standard seal.
250°F (120°C) with optional high-temperature seal.
7. Maximum allowable operating pressure: 230 PSI (15 bars).
8. Maximum number of starts per hour: 20, evenly distributed.
9. Regular Inspection and Maintenance will increase service life. Base schedule on operating time.

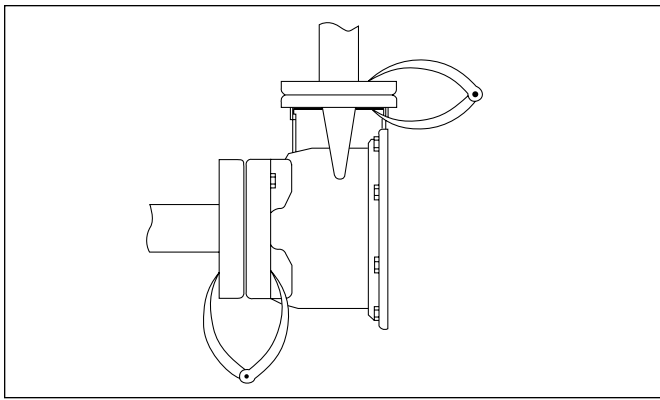
2. Installation

1. Close-coupled units may be installed inclined or vertical.



DO NOT INSTALL WITH MOTOR BELOW PUMP. CONDENSATION WILL BUILD UP IN MOTOR.

2. Locate pump as near liquid source as possible (below level of liquid for automatic operation).
3. Protect from freezing or floods.
4. Allow adequate space for servicing and ventilation.
5. For close-coupled pumps, the foundation must be flat and substantial to eliminate strain when tightening bolts. Use rubber mounts to minimize noise and vibration. Tighten motor hold-down bolts before connecting piping to pump.
6. For frame-mounted pumps, permanent and solid foundation is required for smooth operation. Bedplate must be grouted to a foundation with solid footing.
7. Place unit in position on wedges located at four points (Two below approximate center of driver and two below approximate center of pump). Adjust wedges to level unit, bringing coupling halves into reasonable alignment. Level or plumb suction and discharge flanges.
8. Make sure bedplate is not distorted and final coupling alignment can be made within the limits of movement of motor and by shimming if necessary.
9. Tighten foundation bolts finger tight and build dam around foundation. Pour grout under bedplate making sure the areas under pump and motor feet are filled solid. Allow grout to harden 48 hours before further tightening foundation bolts.
10. All piping must be supported independently of the pump, and must "line-up" naturally. **Never draw piping into place by forcing the pump suction and discharge connections!**
11. Angular alignment of the flanges can best be accomplished using calipers at bolt locations (See illustration).



12. On frame-mounted units, tighten foundation, pump and driver hold-down bolts before connecting piping to pump.
13. Avoid unnecessary fittings. Select sizes to keep friction losses low.
14. After completing piping, rotate unit by hand to check for binding. **Note:** A screwdriver slot or flats are provided in end of motor shaft.

3. Alignment

1. No field alignment is necessary on close-coupled pumps.
2. Even though the pump-motor unit may have a factory alignment, in transit this alignment could be disturbed and must be checked prior to running.
3. Check the tightness of all hold-down bolts before checking the alignment.
4. If re-alignment is necessary, always move the motor. Shim as required.
5. Final alignment is achieved when parallel and angular requirements are achieved with both pump and motor hold down bolts tight.

CAUTION ALWAYS RECHECK BOTH ALIGNMENTS AFTER MAKING ADJUSTMENTS.

6. Parallel misalignment exists when the shafts are not concentric. Place dial indicator on one hub and rotate this hub 360° while taking readings on the outside diameter of the other hub. Parallel alignment occurs when Total Indicator Reading is .005" or less.
7. Angular misalignment exists when the shafts are not parallel. Place dial indicator on one hub and rotate this hub 360° while taking readings on the face of the other hub. Angular alignment is achieved when Total Indicator Reading is .005" or less.

4. Suction Piping

1. Low static lift and short, direct suction piping is desired. For suction lift over 15 feet, consult pump performance curve for *Net Positive Suction Head Required*.
2. Suction pipe size must be at least equal to suction connection of pump.
3. If larger pipe is used, an eccentric pipe reducer (with straight side up) must be used at the pump.
4. Installation with pump below source of supply:
 - 4.1. Install isolation valve in piping for inspection and maintenance.

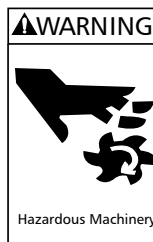
4.2. Do not use suction isolation valve to throttle pump!

5. Installation with pump above source of supply:
 - 5.1. To avoid air pockets, no part of piping should be higher than pump suction connection. Slope piping upwards from liquid source.
 - 5.2. All joints must be airtight.
 - 5.3. Foot valve to be used only if necessary for priming, or to hold prime on intermittent service.
 - 5.4. Suction strainer open area must be at least triple the pipe area.
6. Size of inlet from liquid source, and minimum submergence over inlet, must be sufficient to prevent air entering pump.

5. Discharge Piping

1. Arrangement must include a check valve located between a gate valve and the pump. The gate valve is for regulation of capacity, or inspection of pump or check valve.
2. If reducer is required, place between check valve and pump.

6. Rotation



DO NOT PLACE HANDS IN PUMP WHILE CHECKING MOTOR ROTATION. TO DO SO WILL CAUSE SEVERE PERSONAL INJURY.

1. Pumps are right-hand rotation (Clockwise when viewed from the driver end). Switch power on and off. Observe shaft rotation. On frame-mounted units, check rotation before coupling pump to motor.
2. Single-Phase: Refer to wiring diagram on motor if rotation must be changed.
3. Three-Phase: Interchange any two power supply leads to change rotation.

7. Operation

1. Before starting, pump must be primed (free of air and suction pipe full of liquid) and discharge valve partially open.

CAUTION PUMPED LIQUID PROVIDES LUBRICATION. IF PUMP IS RUN DRY, ROTATING PARTS WILL SEIZE AND MECHANICAL SEAL WILL BE DAMAGED.
2. Make complete check after unit is run under operating conditions and temperature has stabilized. Check for expansion of piping. Check coupling alignment.
3. Do not operate at or near zero flow. Energy imparted to the liquid is converted into heat. Liquid may flash to vapor. Rotating parts require liquid to prevent scoring or seizing.

8. Maintenance

⚠WARNING

Hazardous voltage

FAILURE TO DISCONNECT AND LOCKOUT ELECTRICAL POWER BEFORE ATTEMPTING ANY MAINTENANCE CAN CAUSE SHOCK, BURNS OR DEATH.

1. Bearings are located in and are part of the motor. For lubrication procedure, refer to manufacturer's instructions.
2. On frame-mounted units, regrease at 2,000 hours use or after 3 months. Use #2 Sodium or Lithium grease and fill until grease comes out of the relief fitting.

9. Disassembly

1. Always turn power off.
2. Drain system. Flush if necessary.
3. Remove motor hold-down bolts on close-coupled or disconnect coupling and remove spacer.
4. Remove casing bolts and pump hold-down bolts.
5. Remove motor and rotating element from casing.
6. Unscrew impeller bolt with a socket wrench. **Do not insert screwdriver between impeller vanes to prevent rotation.** It may be necessary to use a strap wrench around the impeller if impacting the socket wrench will not loosen the impeller bolt.
7. Remove impeller o-ring.
8. Insert two pry bars (180° apart) between impeller and seal housing. Pry off impeller.
9. Remove shaft sleeve, seal spring, cupwasher, seal rotary and impeller key.
10. Remove seal housing.
11. Place seal housing on flat surface. Press out stationary seal parts.
12. Remove deflector from shaft on frame-mounted units.
13. Remove bolts holding bearing cover to frame and remove bearing cover (frame-mount).
14. Remove lip seals from bearing frame and bearing cover (frame-mount).
15. Remove shaft and bearings from frame (frame-mount).
16. Remove bearing retaining ring (frame-mount).
17. Use bearing puller or arbor press to remove ball bearings (frame-mount).
18. Remove wear ring if excessively worn. Use pry bar and/or vicegrips.

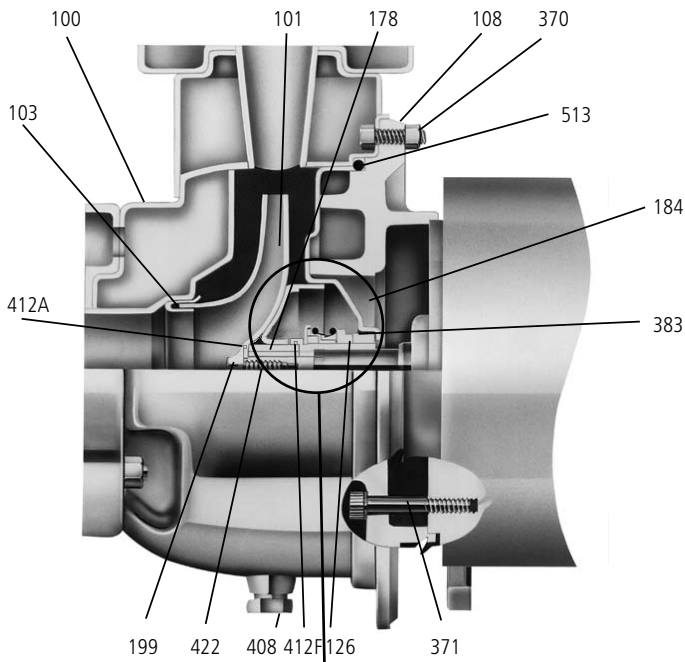
10. Reassembly

1. All parts should be cleaned before assembly.
 2. Refer to parts list to identify required replacement items.
 3. Reassembly is the reverse of the disassembly procedure.
 4. Replace lip seals if worn or damaged (frame-mount only).
 5. Replace ball bearings if loose, rough or noisy when rotated (frame-mount only).
 6. Check shaft for maximum runout of .005" TIR. Bearing seats and lip seal areas must be smooth and free of scratches or grooves. Replace if necessary (frame-mount only).
 7. All mechanical seal components must be in good condition or leakage may result. Replacement of complete seal assembly, whenever seal has been removed, is good standard practice.
 8. If wear ring is being replaced, do not use lubricants on the metal-to-metal fit when pressing in the replacement.
 9. If the impeller is removed, as for example to effect a mechanical seal change, this procedure must be followed: Old impeller bolt and impeller o-ring cannot be reused.
 10. Install the mechanical seal stationary seat in the seal housing, using soapy water as a lubricant to ease insertion.
 11. **S-Group** – Install the mechanical seal spring retainer, spring and rotary assembly on the shaft sleeve using soapy water to lubricate. Slide the shaft sleeve over the pump shaft, be sure that a new shaft sleeve o-ring is used.
- NOTE:** THE SHAFT SLEEVE O-RING AND IMPELLER WASHER O-RING ARE ALMOST IDENTICAL IN DIAMETER. BE SURE TO USE THE SQUARE CROSS-SECTION O-RING IN THE IMPELLER WASHER. THE ROUND CROSS-SECTION O-RING IS USED IN THE SHAFT SLEEVE.
11. **M-Group** – Install the mechanical seal spring and rotary on the shaft sleeve using soapy water to lubricate. Slide the shaft sleeve over the pump shaft. Be sure that a new shaft sleeve o-ring is used. Place the mechanical seal spring retainer over the impeller hub.
 12. Place the impeller key into the shaft keyway and slide the impeller in place. Install the impeller stud and impeller washer. Be sure that a new impeller o-ring is used. Tighten S-Group ($\frac{3}{8}$ " thread) to 17 lb.ft. and M-Group ($\frac{1}{2}$ " thread) to 38 lb.ft.
 13. Replace casing bolts and tighten in a crossing sequence to the torque values indicated below.
S-Group – 25 lb.-ft. (35 N-m)
M-Group – 37 lb.-ft. (50 N-m)
 14. Check reassembled unit for binding by rotating shaft with appropriate tool from motor end.
 15. If rubbing exists, loosen casing bolts and proceed with tightening sequence again.

11. Troubleshooting

1. Motor does not start, and no noise or vibration occurs:
 - 1.1. Power supply not connected.
 - 1.2. Fuses or protection device tripped or defective.
 - 1.3. Loose or broken electrical connections.
2. Motor will not start, but generates noise and vibration:
 - 2.1. Motor not wired as directed on diagram.
 - 2.2. Shaft locked due to mechanical obstructions in motor or pump.
 - 2.3. Low voltage or phase loss on three phase supply.
3. Pump does not deliver rated capacity:
 - 3.1. Pump not filled and primed.
 - 3.2. Pump has lost prime due to leaks in suction line.
 - 3.3. Direction of rotation incorrect. See Rotation.
 - 3.4. Head required is higher than that originally specified. (Valve may be partially closed.)
 - 3.5. Foot valve clogged.
 - 3.6. Suction lift too high.
 - 3.7. Suction pipe diameter too small.
4. Protection trips as unit starts:
 - 4.1. Phase loss on three-phase supply.
 - 4.2. Protection device may be defective.
 - 4.3. Loose or broken electrical connections.
 - 4.4. Check motor resistance and insulation to ground.
5. Protection device trips too often:
 - 5.1. Protection may be set to a value lower than motor full load.
 - 5.2. Phase loss due to faulty contacts or supply cable.
 - 5.3. Liquid is viscous or its specific gravity is too high.
 - 5.4. Rubbing occurs between rotating and stationary parts.
6. Shaft spins with difficulty:
 - 6.1. Check for obstructions in the motor or the pump.
 - 6.2. Rubbing occurs between rotating and stationary parts.
 - 6.3. Check bearings for proper conditions.
7. Pump vibrates, runs noisily, and flow rate is uneven:
 - 7.1. Pump runs beyond rated capacity.
 - 7.2. Pump or piping not properly secured.
 - 7.3. Suction lift too high.
 - 7.4. Suction pipe diameter too small.
 - 7.5. Cavitation caused by insufficient liquid supply or excessive suction losses.
 - 7.6. Impeller blockage.
8. When stopped, unit turns slowly in the reverse direction:
 - 8.1. Leaks on air locks in suction pipe.
 - 8.2. Partial blockage in check valve.
9. In pressure boosting applications, the unit starts and stops too often:
 - 9.1. Pressure switch settings are incorrect.
 - 9.2. Tank size may be incorrect.
10. In pressure boosting applications, the unit does not stop:
 - 10.1. Pressure switch maximum setting is higher than was specified.
 - 10.2. Direction of rotation incorrect. See **Rotation**.

SSH-C Components

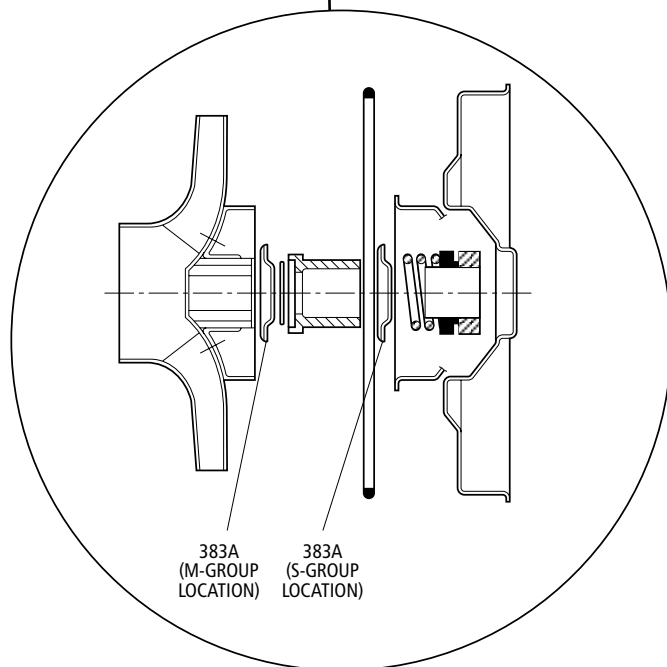


MATERIALS OF CONSTRUCTION

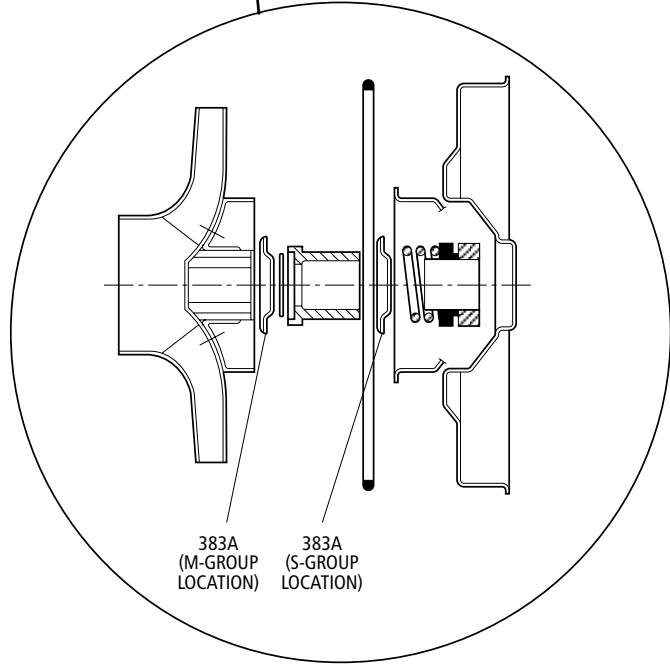
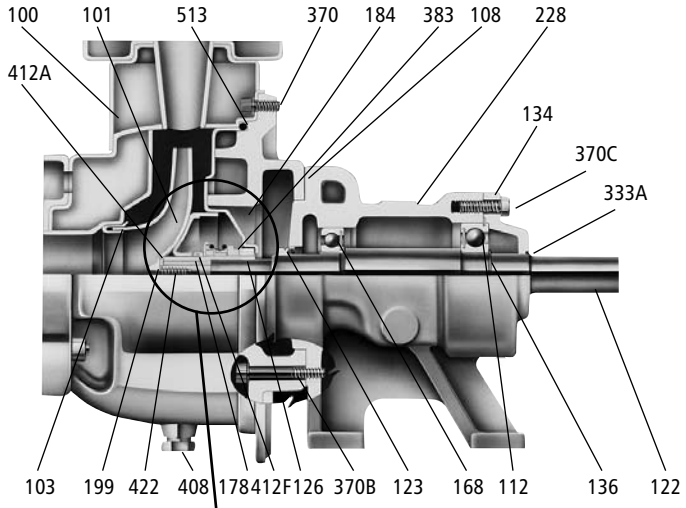
Item	Description	Material
100	Casing	AISI TYPE 316L Stainless Steel
101	Impeller	
103	Wear Ring	
184	Seal Housing	
370	Socket Head Cap Screw (Casing to Adapter)	
408	Drain Plug — 3/8 NPT	AISI TYPE 316 SS
126	Shaft Sleeve	316 SS
178	Impeller Key	Steel
422	Impeller Stud	Steel
199	Impeller Washer	316 SS
108	Adapter	Cast Iron ASTM A48CL20
371	Hex Head Cap Screw (Adapter to Motor)	Steel
412A	O-ring, impeller	BUNA-N
412F	O-ring, shaft sleeve	BUNA-N
513	O-Ring	BUNA-N
383	Mechanical Seal Part No. 10K13	Carbon/Ceramic Buna Elastomers 316 SS Metal Parts
383A	Spring Retainer	AISI Type 316 SS

OPTIONAL MECHANICAL SEALS

John Crane Type 21 Mechanical Seals						
Item	Part No.	Rotary	Stationary	Elastomers	Metal Parts	Intended Duty
383 Options	10K19	Carbon	Ni-Resist	EPR	316 SS	Hi-Temperature
	10K25		Ni-Resist	Viton		Chemical
	10K27		Tungsten Carbide	EPR		Hi-Temperature Mild Abrasive



SSH-F Components



MATERIALS OF CONSTRUCTION

Item	Description	Material	
Pump End Components	100	Casing	AISI TYPE 316L Stainless Steel
	101	Impeller	
	103	Wear Ring	
	184	Seal Housing	
	370	Socket Head Cap Screw	
	408	Drain plug – 3/8 NPT	AISI TYPE 316 SS
	126	Shaft Sleeve	316 SS
	178	Impeller Key	Steel
	422	Impeller Stud	Steel
	199	Impeller Washer	316 SS
412A	O-ring, impeller	BUNA-N	
412F	O-ring, shaft sleeve	BUNA-N	
513	O-Ring	BUNA-N	
383	Mechanical Seal Standard Part No. 10K13	Carbon/Ceramic BUNA-N Elastomers 316 SS Metal Parts	
383A	Spring Retainer	AISI Type 316SS	
Power End Components	108	Adapter	Cast Iron ASTM A48 CL20
	228	Bearing Frame	
	134	Bearing Cover	
	122	Pump Shaft	Steel
	168	Ball Bearing (Inboard)	
	112	Ball Bearing (Outboard)	
	136	Retaining Ring	
	370B	Hex Head Cap Screw (Adapter to Bearing Frame)	
370C	Hex Head Cap Screw (Bearing Frame to Cover)		
333A	Lip Seal	BUNA-N	
193	Grease Fitting	Steel	
123	V-Ring Deflector	BUNA-N	

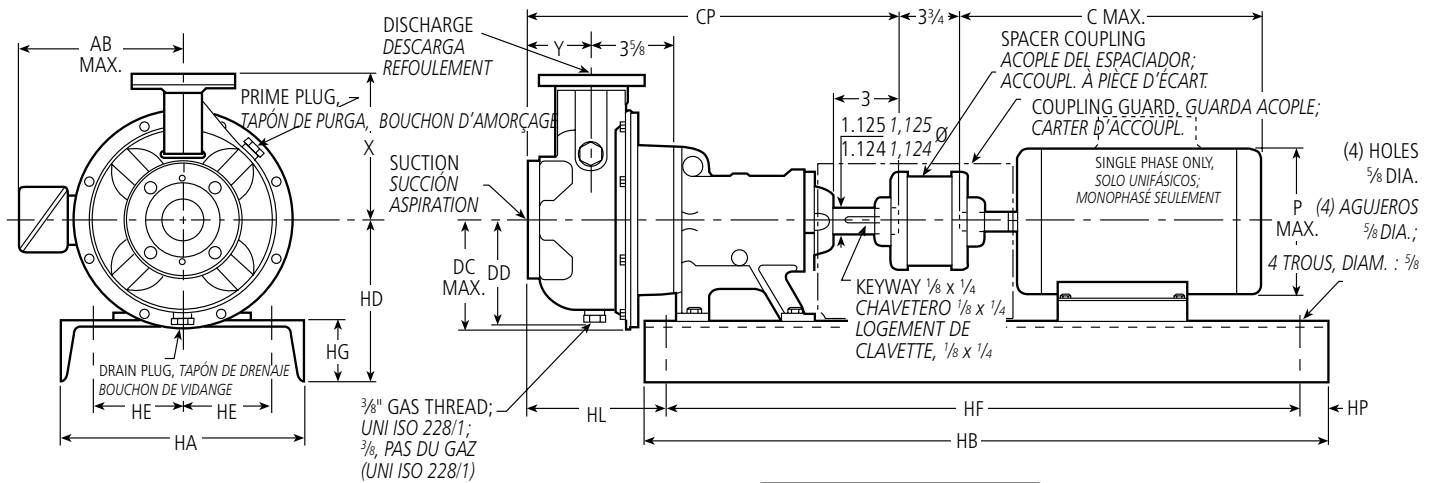
OPTIONAL MECHANICAL SEALS

John Crane Type 21 Mechanical Seals						
Item	Part No.	Rotary	Stationary	Elastomers	Metal Parts	Intended Duty
383 Options	10K19	Carbon	Ni-Resist	EPR	316 SS	Hi-Temperature
	10K25		Ni-Resist	Viton		Chemical
	10K27		Tungsten Carbide	EPR		Hi-Temperature Mild Abrasive

Channel Steel Bedplate, Clockwise Rotation Viewed from Drive End;

Fundación de Acero, Rotación en Dirección de las Agujas del Reloj Visto desde el Extremo del Motor;

Plaque de base profilée en U et rotation en sens horaire (vue de l'extrémité du moteur)



Dimensions and Weights – Determined by Pump, Dimensiones y Pesos – Determinados por la Bomba; Dimensions et poids – pompe

Dimension "HL" Determined by Pump and Bedplate, Dimensión "HL" determinada la bomba y el motor, Dimensions HL – pompe et plaque de base

Motor Frame Size, Tamaño del bastidor del motor, Carcasse de moteur

Pump, Bomba, Pompe	Suction Succión ① Aspir.	Discharge Descarga ① Refoul.	CP	DC Max., DC max.	DD	X	Y	Wt. (lbs.), Peso (lib.) Poids	Motor Frame Size, Tamaño del bastidor del motor, Carcasse de moteur				
									143/145	183/184	213/215	254/256	284/286
9SH 1 X 2-6	2	1	16 3/8	5	4 3/4	6 3/8	3 3/8	56	9 1/8	7 7/8	3 3/8		
10SH 1 X 2-8				5 5/8	5 3/8	7 1/8		64					
11SH 1 X 2-10	2 1/2	1 1/2	17 1/4	6 7/8	6 5/8	8 7/8	3 1/4	86	10	8 1/2	4 3/4		
4SH 1 1/2 X 2 1/2-6				5	4 3/4	6 3/8		57					
7SH 1 1/2 X 2 1/2-8	2	2	17 1/4	5 5/8	5 3/8	7 1/8	4	66	10	8 1/2	4 3/4		
5SH 2 X 2 1/2-6				5	4 3/4	7 1/8		57					
8SH 2 X 2 1/2-8	3	2 1/2	17 1/4	6	5 3/4	7 15/16	4	68	10	8 1/2	4 3/4		
6SH 2 1/2 X 3-6				6	5 3/4	7 15/16		59					

NOTES:

- All pumps shipped in vertical discharge position. May be rotated in 90° increments. Tighten 3/8" – 16 casing bolts to 12 ft./lbs. torque.
- Dimensions in inches.
- Motor dimensions may vary with motor manufacturer.
- Not to be used for construction purposes.

NOTAS:

- Todas las bombas transportadas en posición de descarga vertical. Pueden rotarse en aumentos de 90°. Apretar 3/8" – 16 tornillos de carcasa a 12 pies/libras potencia.
- Las dimensiones en pulgadas.
- Las dimensiones puede que varíen con los fabricantes.
- No para propósitos de construcción.

NOTA :

- L'orifice de refolement est orienté vers le haut. On peut le tourner de 90° en 90°. Serrer les vis 3/8" - 16 du corps de pompe à 12 lbf-pi.
- Les dimensions sont en pouces, et le poids, en livres.
- Les dimensions et le poids du moteur peuvent varier selon le fabricant.
- Ne pas utiliser les dimensions pour la construction si elles ne sont pas certifiées à cette effet.

Available Motor and Bedplate Dimensions and Weights, Pesos y Dimensiones Disponibles de la Fundación y del Motor Dimensions et poids – moteur et plaque de base

① For use with ANSI class 150 mating flanges. Para usar con bridas que casan ANSI clase 150. À utiliser avec des contre-brides ANSI, classe 150.

Motor Frame, Armazón del Motor, Carcasse de moteur	HP @ 3500 RPM, HP a 3500 RPM, hp à 3 500 tr/min				HP @ 1750 RPM, HP a 1750 RPM, hp à 1 750 tr/min				AB Max., AB Máx., AB max.	C Max., C Máx., C max.	P Max., P Máx., P max.	Wt. Max., Peso Máx., Poids max.	Bedplate Data, Datos de la Fundación, Plaque de base							Wt. (lbs.), Peso (libras), Poids	Motor Shim, Plancha de relleno del motor, Cale de moteur	Bearing Frame Shim, Plancha de relleno del bastidor del cojinete, Cale de palier				
	Single Phase, Monofásicos, 1 Ø		Three Phase, Trifásicos, 3 Ø		Single Phase, Monofásicos, 1 Ø		Three Phase, Trifásicos, 3 Ø						HA	HB	HD*	HE	HF	HG	HP*							
	ODP	TEFC	ODP	TEFC	ODP	TEFC	ODP	TEFC																		
143T				1	1	1	1	1	5 1/4	13 3/8	6 5/8	45														
145T	2	2	2 or ou 3	2	1 1/2	1 1/2	1 1/2 or ou 2	1 1/2 or ou 2	5 1/4	14 1/4	7 1/8	53	10	28	8	3 3/4	24	2 3/4	3/4	48	1 3/4					
182T	3	3	5	3	2	2	3	3	5 5/8	16 5/8	7 7/8	74														
184T	5	5	7 1/2	5	3 or ou 5	3	5	3	5 5/8	18 1/8	7 7/8	95														
213T			10	7 1/2					7 3/8	18	9 5/8	116	12	31	8 1/4	4 1/4	29	3	1	65						
215T			15	10					7 3/8	19 1/8	9 5/8	136														
254T			20	15					10 1/8	21 3/8	13	266	13	42	9 1/4	5 1/4	38 1/2	4	1 3/4	110			1			
256T			25	20					10 1/8	23 3/8	13	264														
284TS			30	25					12 5/8	24 1/8	15	392	15	44	10 1/2	5 3/4	40 1/2	3 1/2		124						
286TS			40	30					12 5/8	26 5/8	15	432														

Dimensions and weights vary with manufacturers. Dimensions in inches and weights in lbs.

*"HP" Dimensions at motor end only.

* "HD" Dimension for 254T/256T motor frame on 1 x 2-10 only is 11"; A 3/4" motor shim and a 1 3/4" bearing frame shim are required.

Dimensiones y pesos varían con los fabricantes. Dimensiones en pulgadas y pesos en libras.

Dimensiones "HP" sólo en el extremo del motor.

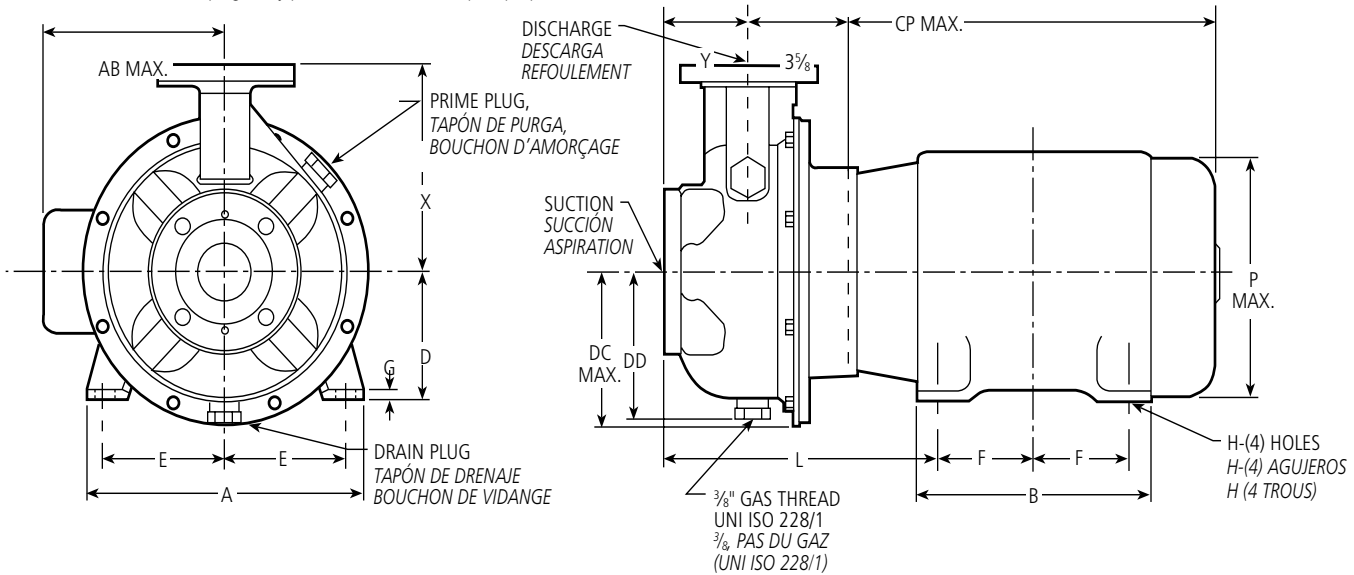
* La dimensión "HD" para el bastidor del motor 254T/256T de 1 x 2 - 10 es sólo 11"; se requieren una cuña del motor de 3/4" y una cuña del bastidor de apoyo de 1 3/4".

ODP = carcasse a britée (à ouvertures de ventilation protégées); TEFC = carcasse fermée autoventilée.

*Dimensions HP à l'extrémité du moteur seulement. La dimension HD pour la carcasse 254T ou 256T, version 1X2-10 seulement, est de 11 po ; une cale de moteur de 3/4 po et une cale de palier de 1 3/4 po sont requises.

SSH S-Group Close Coupled – Dimensions and Weights, SSH Acople Cerrado – Dimensiones y Pesos, Dimensions et poids – SSH montée sur moteur, groupe S

(All dimensions in inches and weights in lbs. Do not use for construction purposes.)
(Todas las dimensiones en pulgadas y pesos en libras. No usar para propósitos de construcción.)



NOTE:

- Pumps shipped in vertical discharge as standard. For other orientations, remove casing bolts, rotate discharge to desired position, and tighten 3/8 – 16 bolts to 12 ft./lbs., 7/16 – 14 bolts to 20 ft./lbs.
- ALL dimensions in inches.
- Motor dimensions may vary with motor manufacturer.
- No for construction purposes.

NOTA:

- Las bombas se transportarán en descarga vertical como estándar. Para otras orientaciones, retirar los tornillos de la carcasa, rotar la descarga a la posición deseada, y apretar 3/8 – 16 tornillos a 12 pies/libras, 7/16 – 14 tornillos a 20 pies/libras.
- TODAS las dimensiones en pulgadas.
- Las dimensiones puede que varíen con los fabricantes.
- No para propósitos de construcción.

NOTA :

- L'orifice de refolement est orienté vers le haut. Pour l'orienter autrement, enlever les vis de fixation du corps de pompe, placer l'orifice dans le sens voulu, puis reposer et serrer les vis 3/8 - 16 à 12 lbf/pi et 7/16 - 14 à 20 lbf/pi.
- Les dimensions sont en pouces, et le poids, en livres.
- Les dimensions et le poids du moteur peuvent varier selon le fabricant.
- Ne pas utiliser les dimensions pour la construction si elles ne sont pas certifiées à cette effet.

Dimensions "L" Determined by Pump and Motor, Dimensiones "L" Determinadas por la Bomba y el Motor, Dimensiones L – pompe et moteur

Pump, Bomba, Pompe	150 lb. Flange, Brida de 150 lib., Bride. 150 lb/po ²	Suct. Succ. ① Aspir.	Disch. Desc. ① Refoul.	CP Max., CP max.	DC Max., DC Máx., DC max.	DD	X	Y	Motor Frame Size, Tamaño del Armazón del Motor, Carcasse de moteur				Wt. (lbs.), Pesos (libras), Poids
									143/145	182/184	213/215	254/256	
9SH	1 x 2 – 6	2	1	25 3/8	5	4 3/4	6 5/8	3 3/8	9 5/8	10 1/4	11 1/4	—	24
10SH	1 x 2 – 8				5 5/8	5 5/8	7 7/8						32
11SH	1 x 2 – 10	2 1/2	1 1/2	27 7/8	6 7/8	6 7/8	8 7/8	4	10 1/2	11 1/8	12 1/8	12 3/8	54
4SH	1 1/2 x 2 1/2 – 6				5	4 3/4	6 3/8	3 3/4	9 3/4	10 3/8	11 3/8	—	25
7SH	1 1/2 x 2 1/2 – 8				5 5/8	5 5/8	7 7/8	4	10 1/2	11 1/8	12 1/8	12 3/8	34
5SH	2 x 2 1/2 – 6				5	4 3/4	6 3/8						25
8SH	2 x 2 1/2 – 8	3	2 1/2	27 7/8	6	4 3/4	7 1/16	4	10 1/2	11 1/8	12 1/8	12 3/8	36
6SH	2 1/2 x 3 – 6				6	4 3/4	7 1/16						27

① For use with ANSI class 150 mating flanges.
Para usar con bridas que casan ANSI clase 150.
À utiliser avec des contre-brides ANSI, classe 150.

Dimensions Determined by JM Motor Frame, Dimensiones Determinadas por el Armazón del Motor JM, Dimensions – carcasse de moteur JM

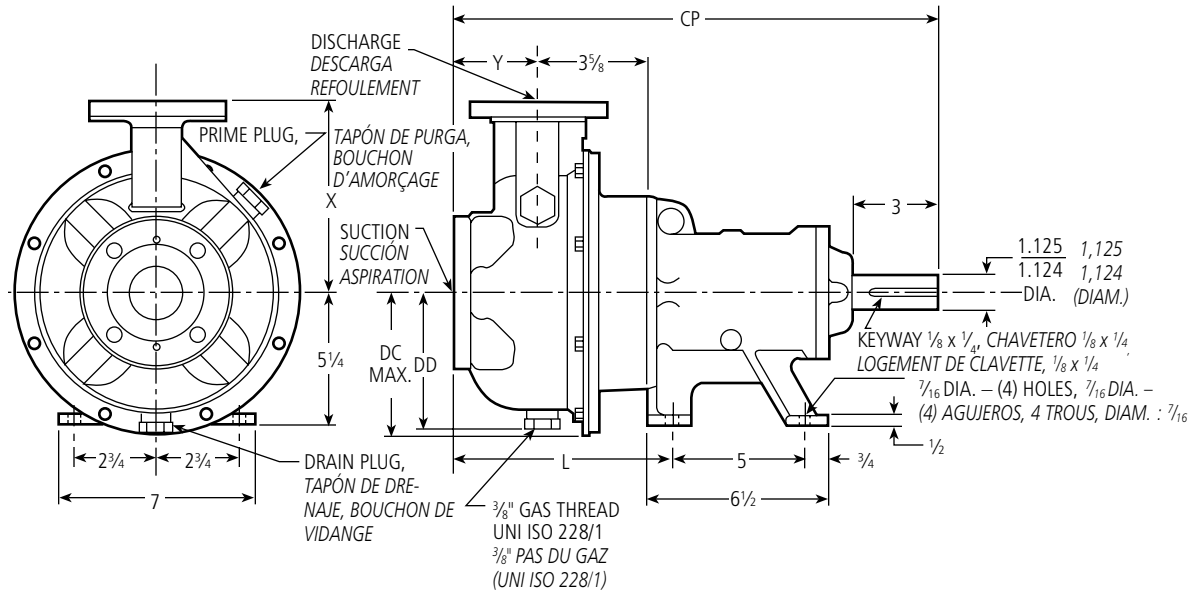
JM Frame, JM Armazón, Carcasse	A	AB	B	D	E	F	G	H Dia., H Diám., H (diam.)	P Max., P Máx., P max.	Motor Wt. (lbs.) Peso Motor (lib.), Poids du moteur
143JM	6 1/2	5 1/4	6	3 1/2	2 3/4	2	1/8	1 1/32	6 5/8	41
145JM	8 1/2	5 7/8	6 1/2	4 1/2	3 3/4	2 1/2	3/16	1 1/32	7 7/8	57
182JM						2 3/4				77
184JM	9 1/2	7 3/8	8	5 1/4	4 1/4	2 3/4	7/32	1 1/32	9 5/8	97
213JM						3 1/2				122
215JM	11 1/4	9	11 3/4	6 1/4	5	3 1/2	1/4	1 7/32	11 1/2	155
254TCZ						5				265
256TCZ	11 1/4	9	11 3/4	6 1/4	5	5	1/4	1 7/32	11 1/2	320

Motor Frame Selections, Selecciones del Armazón del Motor, Choix de carcasses de moteur

Motor Frame, Armazón del Motor, Carcasse	Motor Horsepower, Potencia del Motor, Puissance (hp)							
	3500 RPM, 3500 RPM, 3 500 tr/min				1750 RPM, 1750 RPM, 1750 tr/min			
	1 Ø, Monofásicos		3 Ø, Trifásicos		1 Ø, Monofásicos		3 Ø, Trifásicos	
	ODP	TEFC	ODP	TEFC	ODP	TEFC	ODP	TEFC
143JM	—	—	—	—	—	—	1	1
145JM	2	2	2-3	2	1-1 1/2	1-1 1/2	1 1/2-2	1 1/2-2
182JM	3	3	5	3	2	2-3	3	3
184JM	5	5	7 1/2	5	3	—	5	5
213JM	7 1/2	—	10	7 1/2	5	—	7 1/2	7 1/2
215JM	10	—	15	10-15	—	—	—	—
254TCZ	—	—	20	—	—	—	—	—
256TCZ	—	—	25	20-25	—	—	—	—

ODP = carcasse abritée (à ouvertures de ventilation protégées) ;
TEFC = carcasse fermée autoventilée.

SSH S-Group Frame-Mounted – Dimensions and Weights, SSH Armazón Montado – Dimensiones y Pesos, Dimensions et poids – SSH montée sur palier, groupe S



Dimensions and Weights – Bare Pump Only, Dimensiones y Pesos – Solamente Bomba, Dimensions et poids – pompe nue seulement

Pump, Bomba, Pompe	150 lb. Flange, Brida de 150 lib., Bride, 150 lb/po ²		DC Max., DC Máx., DC max.	DD	CP Max., CP Máx., CP max.	L	X	Y	Wt. (lbs.), Peso (libras), Poids	
	Suction Succión ① Aspir.	Discharge Descarga ① Refoul.								
9SH 1 x 2 – 6	2	1	5	4 ³ / ₄	16 ³ / ₈	7 ⁵ / ₈	6 ³ / ₈	3 ¹ / ₈	56	
10SH 1 x 2 – 8			5 ⁵ / ₈	5 ³ / ₈			7 ¹ / ₈		64	
11SH 1 x 2 – 10			6 ⁷ / ₈	6 ⁵ / ₈	17 ¹ / ₄	8 ¹ / ₂	8 ⁷ / ₈	4	86	
4SH 1 ¹ / ₂ x 2 ¹ / ₂ – 6	2 ¹ / ₂	1 ¹ / ₂	5	4 ³ / ₄	16 ¹ / ₂	7 ³ / ₄	6 ³ / ₈	3 ³ / ₄	56	
7SH 1 ¹ / ₂ x 2 ¹ / ₂ – 8			5 ⁵ / ₈	5 ³ / ₈			7 ¹ / ₈		64	
5SH 2 x 2 ¹ / ₂ – 6			2	5	4 ³ / ₄	16 ¹ / ₂	8 ¹ / ₂	6 ³ / ₈	4	57
8SH 2 x 2 ¹ / ₂ – 8				6	5 ³ / ₄					
6SH 2 ¹ / ₂ x 3 – 6	3	2 ¹ / ₂						57		

① For use with ANSI class 150 mating flanges.
Para usar con bridas que casan ANSI clase 150.
À utiliser avec des contre-brides ANSI, classe 150.

NOTE:

- Pumps will be shipped with top vertical discharge as standard. For other orientations, remove casing bolts, rotate discharge to desired position, and tighten ³/₈ – 16 bolts to 12 ft./lbs., ⁷/₁₆ – 14 bolts to 20 ft./lbs.
- ALL dimensions in inches.
- Not for construction purposes.

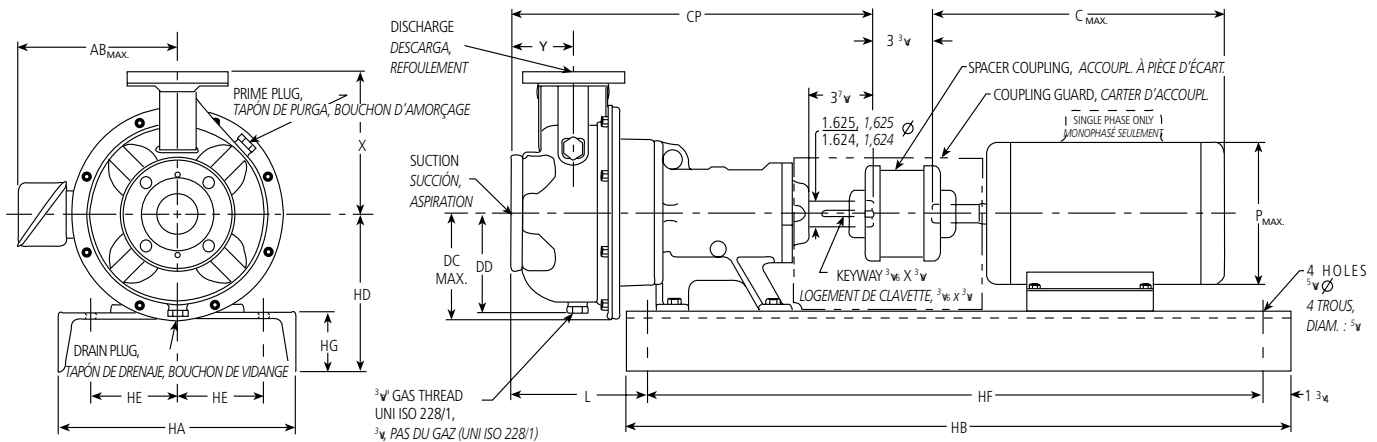
NOTA:

- Las bombas se transportarán con la descarga vertical superior como estándar. Para otras orientaciones, retirar los tornillos de la carcasa, rotar la descarga a la posición deseada, y apretar ³/₈ – 16 tornillos a 12 pies/libras, ⁷/₁₆ – 14 tornillos a 20 pies/libras.
- TODAS las dimensiones en pulgadas.
- No para propósitos de construcción.

NOTA :

- L'orifice de refoulement est orienté vers le haut. Pour l'orienter autrement, enlever les vis de fixation du corps de pompe, placer l'orifice dans le sens voulu, puis reposer et serrer les vis ³/₈ – 16 à 12 lbf-pi et ⁷/₁₆ – 14 à 20 lbf-pi.
- Les dimensions sont en pouces, et le poids, en livres.
- Ne pas utiliser les dimensions pour la construction si elles ne sont pas certifiées à cette effet.

Channel Steel Bedplate, Clockwise Rotation Viewed from Drive End;
Fundación de Acero, Rotación en Dirección de las Agujas del Reloj Visto desde el Extremo del Motor;
Plaque de base profilée en U et rotation en sens horaire (vue de l'extrémité du moteur)



Dimensions and Weights – Determined by Pump,
Dimensiones y Pesos – Determinados por la Bomba,
Dimensions et poids – pompe

Pump, Bomba, Pompe	Pump Size, Tamaño de la Bomba, Dimensiones	① Suction Succión Aspir.	① Discharge Descarga Refoul.	CP	DC Max., DC Máx., DC max.	DD	L	X	Y	Wt. (lbs.), Peso (libras), Poids	
24SH	1½ x 2½-10	2½	1½	23	6⅞	6⅝	10⅞	8⅝ ¹⁶	4	125	
25SH	2 x 2½-10		2		6⅞	5⅝				125	
22SH	2½ x 3-8	3	2½		6⅞	6⅝				9⅝ ¹⁶	125
27SH	2½ x 3-10	4	3		24	6⅞	6⅝	11⅞	11⅞	5	134
23SH	3 x 4-8					7⅝	7⅝				136
28SH	3 x 4-10										

① For use with ANSI class 150 mating flanges.
 Para usar con bridas que casan ANSI clase 150.
 À utiliser avec des contre-brides ANSI, classe 150.

NOTE:
 1. Pumps will be shipped with top vertical discharge as standard. For other orientations, remove casing bolts, rotate discharge to desired position and tighten ⅜ – 16 bolts to 12 ft./lbs.
 2. ALL dimensions in inches.
 3. Not for construction purposes.

NOTA:
 1. Las bombas se transportarán con la descarga vertical superior como estándar. Para otras orientaciones, retirar los tornillos de la carcasa, rotar la descarga a la posición deseada, y apretar ⅜ – 16 tornillos a 12 pies/libras.
 2. TODAS las dimensiones en pulgadas.
 3. No para propósitos de construcción.

NOTA :
 1. L'orifice de refoulement est orienté vers le haut. Pour l'orienter autrement, enlever les vis de fixation du corps de pompe, placer l'orifice dans le sens voulu, puis reposer et serrer les vis ⅜ - 16 à 12 lbf.pi.
 2. Les dimensions sont en pouces, et le poids, en livres.
 3. Les dimensions et le poids du moteur peuvent varier selon le fabricant.
 4. Ne pas utiliser les dimensions pour la construction si elles ne sont pas certifiées à cette effet.

Available Motor and Bedplate Dimensions and Weights,
Pesos y Dimensiones Disponibles de la Fundación y del Motor,
Dimensions et poids – moteur et plaque de base

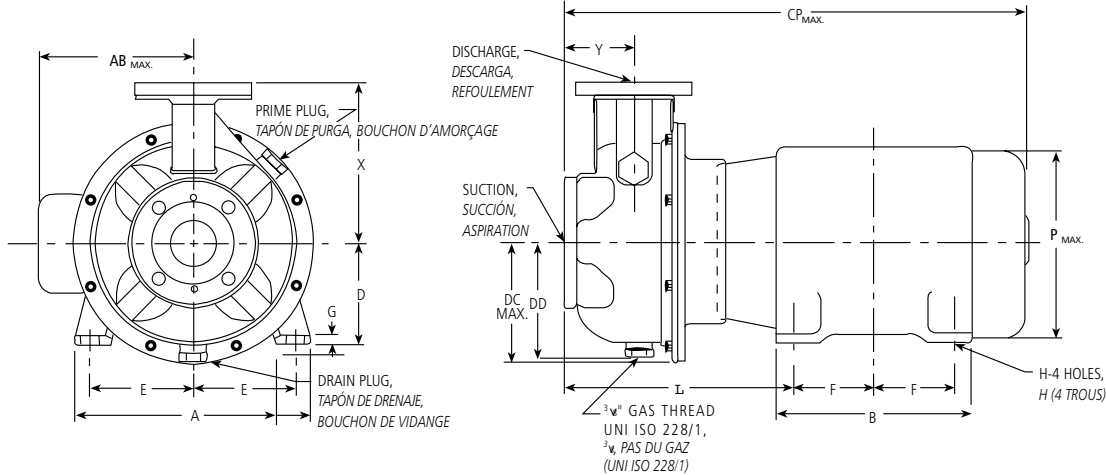
Motor Frame, Armazón del Motor, Carcasse de moteur	HP @ 3500 RPM, hp à 3 500 tr/min		HP @ 1750 RPM – T-Frame Only, hp à 1 750 tr/min – carc. T seulem.				AB Max., AB Máx., AB max.	C Max., C Máx., C max.	P Max., P Máx., P max.	Wt. Max., Peso Máx., Poids max.	Bedplate Data, Datos de la Fundación, Plaque de base						
	Three Phase, Trifásicos, 3 Ø		Single Phase, Monofásicos, 1 Ø		Three Phase, Trifásicos, 3 Ø						HA	HB	HD	HE	HF	HG	Wt. (lbs.), Peso (libras), Poids
	ODP	TEFC	ODP	TEFC	ODP	TEFC											
184T			3 or ou 5	3	5	5	5⅞	18⅞	7⅞	95							
213T					7½	7½	7⅞	18	9⅞	116	13	42	10¼	5¼	38½	4	
215T	15				10	10		19⅞		136							
254T	20	15			15	15	9½	21⅞	13	266							
256T	25	20			20	20	9½	23⅞	13	264							
284TS/T	30	25			25	25	12⅞	24⅞	15	392	15	44	10½	5¾	40½	3½	
286TS/T	40	30					12⅞	26⅞	15	422							
324TS/T	50	40					14⅞	28¾	17⅞	592	18	48	12	7¼	44½	4	
326TS/T	60	50						30¾		634							
364TS/T	75	60					15⅞	31⅞	18⅞	834							
365TS/T	100	75					15⅞	32⅞	18⅞	1000							
405TS/T		100					18	36⅞	20⅞	1060	22	56	14	7¼	52½	4	214

Dimensions and weights vary with manufacturers. Dimensions in inches and weights in lbs.
 Dimensiones y pesos varían con los fabricantes. Dimensiones en pulgadas y pesos en libras.

ODP = carcasse abritée (à ouvertures de ventilation protégées) ; TEFC = carcasse fermée autoventilée.

SSH M-Group Close Coupled – Dimensions and Weights, SSH Acople Cerrado – Dimensiones y Pesos, Dimensions et poids – SSH montée sur moteur, groupe M

(All dimensions in inches and weights in lbs. Do not use for construction purposes.)
(Todas las dimensiones en pulgadas y pesos en libras. No usar para propósitos de construcción.)



Dimensions "L" Determined by Pump and Motor, Dimensiones "L" Determinadas por la Bomba y el Motor, Dimensions L – pompe et moteur

Pump, Bomba, Pompe	Pump Size, Tamaño de la Bomba, Dimensions	① Suction Succión Aspir.	① Discharge Descarga Refoul.	CP Max., CP Máx., CP max.	DC Max., DC Máx., DC max.	DD	X	Y	Wt. (lbs.), Peso (libras), Poids	Motor Frame Size, Tamaño del Armazón del Motor, Carcasse de moteur					
										140	180	210	250	280	320
24SH	1½ x 2 ½-10	2½	1½	34½	6⅞	6⅝	8½	4	75	10½	12⅞	13⅞	14⅞	15	-
25SH	2 x 2 ½-10		2	75					11⅞						
22SH	2½ x 3-8	3	2½	36	6⅞	5⅞	9½	5	72	-	13⅞	14⅞	15⅞	16	-
27SH	2½ x 3-10								84	-					
23SH	3 x 4-8	4	3	37	7⅞	7⅞	11⅞	5	86	11½	12⅞	13⅞	14⅞	15⅞	16
28SH	3 x 4-10								98	-	-				

① For use with ANSI class 150 mating flanges.
Para usar con bridas que casan ANSI clase 150.
À utiliser avec des contre-brides ANSI, classe 150.

NOTES:
1. Pumps shipped in vertical discharge as standard. For other orientations, remove casing bolts, rotate discharge to desired position, and tighten ⅝ – 16 bolts to 12 ft./lbs., ⅞ – 14 bolts to 20 ft./lbs., 1 – 13 bolts to 35 ft./lbs.
2. Motor dimensions may vary with motor manufacturer.
3. Not for construction purposes.

NOTAS:
1. Las bombas se transportarán en descarga vertical como estándar. Para otras orientaciones, retirar los tornillos de la carcasa, rotar la descarga a la posición deseada, y apretar ⅝ – 16 tornillos a 12 pies/libras, ⅞ – 14 tornillos a 20 pies/libras, 1 – 13 tornillos a 35 pies/libras.
2. TODAS las dimensiones en pulgadas.
3. No para propósitos de construcción.

NOTA:
1. L'orifice de refolement est orienté vers le haut. Pour l'orienter autrement, enlever les vis de fixation du corps de pompe, placer l'orifice dans le sens voulu, puis reposer et serrer les vis ⅝ - 16 à 12 lbf·pi, ⅞ - 14 à 20 lbf·pi et 1 - 13 à 35 lbf·pi.
2. Les dimensions sont en pouces, et le poids, en livres.
3. Les dimensions et le poids du moteur peuvent varier selon le fabricant.
4. Ne pas utiliser les dimensions pour la construction si elles ne sont pas certifiées à cette effet.

Dimensions Determined by JM Motor Frame, Dimensiones Determinadas por el Armazón del Motor JM, Dimensions – carcasse de moteur JM

Frame, Armazón, Carcasse	A	AB Max., AB max.	B	D	E	F	G	H	P Max., P max.
145JM	6½	5¼	6	3½	2¾	2½	⅞	1½	7¾
182JM	8½	5⅞	6½	4½	3¾	2¼	¾	1¾	8½
184JM						2¾			
213JM	9½	7⅞	8	5¼	4¼	3¼	¾	2	10¾
215JM						3½			
254JM	11¼	9	11¾	6¼	5	4⅞	¼	2½	13¼
256JM						5			
284JM	12¼	12¼	12¼	7	5½	4¾	¾	3	15
286JM						5½			
324JM	14	13¼	14	8	6¼	5¼	¾	4	16½
326JM						5½			
364TCZ	17¾	15⅞	15½	9	7	5⅞	1	5	19
365TCZ						6⅞			

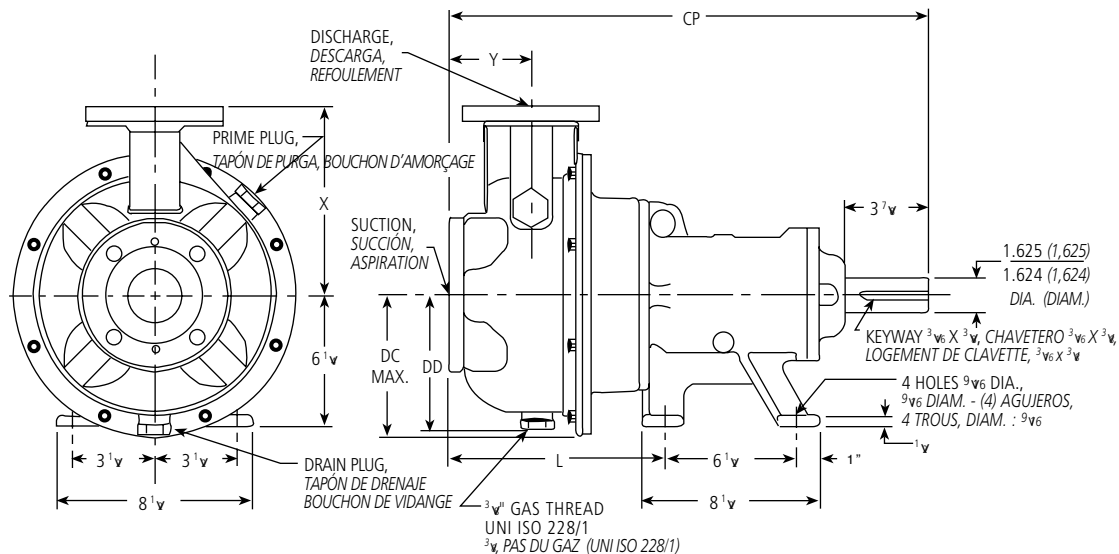
364TCZ and 365TCZ frames are built with 326JM shaft extensions. Dimensions may vary with manufacturer;
Las armazones 364TCZ y 365TCZ se construyen con extensiones del eje 326JM. Las dimensiones puede que varíen con los fabricantes;
Les carcasses 364TCZ et 365TCZ possèdent la rallonge d'arbre de la 326JM.

Motor Frame Selections, Selecciones del Armazón del Motor, Choix de carcasses de moteur

Frame, Armazón, Carcasse	Motor Horsepower, Potencia del Motor, Puissance (hp)						Wt. Max., Peso Máx., Poids max.
	3500 RPM, 3500 tr/min		1750 RPM, 1750 tr/min				
	3 PH, Trifásicos, 3 Ø		1 PH, Monofásicos, 1 Ø		3 PH, Trifásicos, 3 Ø		
	ODP	TEFC	ODP	TEFC	ODP	TEFC	
145JM	-	-	-	-	2	2	57
182JM	-	-	2	2, 3	3	3	77
184JM	-	-	3	-	5	5	97
213JM	10	-	5	-	7½	7½	141
215JM	15	10	-	-	10	10	155
254JM	20	15	-	-	15	15	265
256JM	25	20	-	-	20	20	320
284JM	30	25	-	-	25	25	419
286JM	40	30	-	-	-	-	422
324JM	50	40	-	-	-	-	562
326JM	60	50	-	-	-	-	625
364TCZ	75	60	-	-	-	-	775
365TCZ	100	75, 100	-	-	-	-	905

364TCZ and 365TCZ frames are built with 326JM shaft extensions. Las armazones 364TCZ y 365TCZ se construyen con extensiones del eje 326JM. ODP = carcasse a bridade (à ouvertures de ventilation protégées); TEFC = carcasse fermée autoventilée. Les carcasses 364TCZ et 365TCZ possèdent la rallonge d'arbre de la 326JM.

SSH M-Group Frame Mounted – Dimensions and Weights, SSH Armazón Montado – Dimensiones y Pesos, Dimensions et poids – SSH montée sur palier, groupe M



Dimensions and Weights – Bare Pump Only, Dimensiones y Pesos – Solamente Bomba, Dimensions et poids – pompe nue seulement

Pump, Bomba, Pompe	Pump Size, Tamaño de la Bomba, Dimensions	① Suction Succión Aspir.	① Discharge Descarga Refoul.	CP	DC Max., DC Máx., DC max.	DD	L	X	Y	Wt. (lbs.), Peso (libras), Poids
24SH	1½ x 2½-10	2½	1½	23	6⅞	6⅝	10½	8½/16	4	125
25SH	2 x 2½-10		2		6⅞	6⅝		8½/16		125
22SH	2½ x 3-8	3	2½		6⅞	5⅞	9½/16	5	125	
27SH	2½ x 3-10				6⅞	6⅝			9½/16	134
23SH	3 x 4-8	4	3	24	6⅞	6⅝	11½	5	136	
28SH	3 x 4-10				7⅞	7⅝			11½	148

① For use with ANSI class 150 mating flanges.
Para usar con bridas que casan ANSI clase 150.
À utiliser avec des contre-brides ANSI, classe 150.

NOTES:

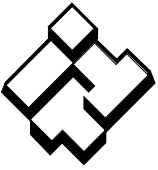
- Pumps will be shipped with top vertical discharge as standard. For other orientations, remove casing bolts, rotate discharge to desired position, replace and tighten ⅜–16 bolts to 12 ft./lbs.
- Motor dimensions may vary with motor manufacturer.
- Not for construction purposes.

NOTAS:

- Las bombas se transportarán con la descarga vertical superior como estándar. Para otras orientaciones, retirar los tornillos de la carcasa, rotar la descarga a la posición deseada, y apretar ⅜–16 tornillos a 12 pies/libras.
- TODAS las dimensiones en pulgadas.
- No para propósitos de construcción.

NOTA :

- L'orifice de refolement est orienté vers le haut. Pour l'orienter autrement, enlever les vis de fixation du corps de pompe, placer l'orifice dans le sens voulu, puis reposer et serrer les vis ⅜–16 à 12 lbf·pi.
- Les dimensions sont en pouces, et le poids, en livres.
- Les dimensions et le poids du moteur peuvent varier selon le fabricant.
- Ne pas utiliser les dimensions pour la construction si elles ne sont pas certifiées à cette effet.



ITT

Commercial Water

GOULDS PUMPS LIMITED WARRANTY

This warranty applies to all water systems pumps manufactured by Goulds Pumps.

Any part or parts found to be defective within the warranty period shall be replaced at no charge to the dealer during the warranty period. The warranty period shall exist for a period of twelve (12) months from date of installation or eighteen (18) months from date of manufacture, whichever period is shorter.

A dealer who believes that a warranty claim exists must contact the authorized GouldsPumps distributor from whom the pump was purchased and furnish complete details regarding the claim. The distributor is authorized to adjust any warranty claims utilizing the Goulds Pumps Customer Service Department.

The warranty excludes:

- (a) Labor, transportation and related costs incurred by the dealer;
- (b) Reinstallation costs of repaired equipment;
- (c) Reinstallation costs of replacement equipment;
- (d) Consequential damages of any kind; and,
- (e) Reimbursement for loss caused by interruption of service.

For purposes of this warranty, the following terms have these definitions:

- (1) "Distributor" means any individual, partnership, corporation, association, or other legal relationship that stands between Goulds Pumps and the dealer in purchases, consignments or contracts for sale of the subject pumps.
- (2) "Dealer" means any individual, partnership, corporation, association, or other legal relationship which engages in the business of selling or leasing pumps to customers.
- (3) "Customer" means any entity who buys or leases the subject pumps from a dealer. The "customer" may mean an individual, partnership, corporation, limited liability company, association or other legal entity which may engage in any type of business.

THIS WARRANTY EXTENDS TO THE DEALER ONLY.



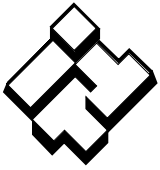
Goulds Pumps and the ITT Engineered Blocks Symbol are registered trademarks and tradenames of ITT Industries Inc.

SPECIFICATIONS ARE SUBJECT TO CHANGE WITHOUT NOTICE.

IM184R03 March, 2006

© 2006 ITT Water Technology, Inc.

Engineered for life



ITT

Agua Industrial

Goulds Pumps

G&L SERIES SSH-C y SSH-F
Instrucciones de instalación,
operación y mantenimiento



Goulds Pumps son una marca de fábrica de ITT Water
Technology, Inc. - un subsidiario de ITT Industries, inc.

www.goulds.com

Engineered for life

Índice

TEMA	PÁGINA
Instrucciones de seguridad.....	18
Instrucciones importantes.....	18
Instalación	18
Alineación.....	19
Tubería de succión	19
Tubería de descarga	19
Rotación	19
Operación.....	20
Mantenimiento.....	20
Desmontaje.....	20
Reensamblaje.....	20
Investigación de averías	21
Componentes	22
SSH S-Group – Información Técnica	9
SSH S-Group Acople Cerrado – Dimensiones y Pesos	10
SSH S-Group Armazón Montado – Dimensiones Y Pesos	11
SSH M-Group – Información Técnica	12
SSH M-Group Acople Cerrado – Dimensiones y Pesos	13
SSH M-Group Armazón Montado – Dimensiones y Pesos.....	14
Garantía limitada de Goulds Pumps.....	24
Declaración de Conformidad	35

Información del propietario

Por favor complete los datos consultando la placa del fabricante de la bomba. La información de la garantía está en la página 24.

Modelo de la Bomba: _____

Número de Serie: _____

Agente: _____

Nº. telefónico del agente: _____

Fecha de compra: _____

Fecha de instalación: _____

INSTRUCCIONES DE SEGURIDAD

PARA EVITAR LESIONES CORPORALES SERIAS O FATALES O DAÑOS MAYORES A LA PROPIEDAD, LEA Y SIGA TODAS LAS INSTRUCCIONES DE SEGURIDAD EN EL MANUAL Y EN LA BOMBA.

ES INTENCIÓN QUE ESTE MANUAL ASISTA EN LA INSTALACIÓN Y OPERACIÓN DE ESTA UNIDAD Y DEBE MANTENERSE CON LA BOMBA.



Este es un **SÍMBOLO DE ALERTA DE SEGURIDAD**. Cuando vea este símbolo en la bomba o en el manual, busque una de las palabras de señal y esté alerta a las lesiones corporales potenciales o daños a la propiedad.



Advierte los peligros que **CAUSARÁN** lesiones corporales serias, la muerte o daños mayores a la propiedad.



Advierte los peligros que **PUEDEN** causar lesiones corporales serias, la muerte o daños mayores a la propiedad.



Advierte los peligros que **PUEDEN** causar lesiones corporales o daños a la propiedad.

AVISO: INDICA INSTRUCCIONES ESPECIALES QUE SON MUY IMPORTANTES Y DEBEN SEGUIRSE.

EXAMINE A FONDO TODAS LAS INSTRUCCIONES Y ADVERTENCIAS ANTES DE REALIZAR ALGÚN TRABAJO EN ESTA BOMBA.

MANTENGA TODAS LAS CALCOMANÍAS DE SEGURIDAD.



Los fluidos peligrosos pueden causar incendios, quemaduras o la muerte.

UNIDAD NO DISEÑADA PARA USO CON LÍQUIDOS PELIGROSOS O GASES INFLAMABLES. ESTOS FLUIDOS PUEDEN ESTAR PRESENTES EN LAS ÁREAS DE CONTENCIÓN.

AVISO: INSPECCIONE LA UNIDAD SI TIENE DAÑOS Y REPORTE INMEDIATAMENTE CUALQUIER DAÑO AL TRANSPORTISTA O AL AGENTE.

1. Instrucciones Importantes

1. Inspeccione la unidad para determinar si está dañada. Informe inmediatamente los daños al transportista.
2. La alimentación eléctrica debe ser un circuito de rama separada con los fusibles o interruptores automáticos, tamaños de cables, etc., conforme a los códigos Eléctricos Nacional y local. Instale un interruptor de desconexión en todos los hilos exteriores cerca de la bomba.



Un voltaje peligroso puede producir golpes eléctricos, quemaduras o la muerte.

SIEMPRE DESCONECTE LA ALIMENTACIÓN ELÉCTRICA CUANDO MANEJE LA BOMBA O LOS CONTROLES.

3. Los motores deben estar alambrados para la tensión apropiada (verifique la placa del fabricante). El tamaño del alambre debe eliminar la máxima caída de tensión a 10% de la tensión de la placa del fabricante en los terminales del motor, o la vida del motor y de la bomba serán disminuidos.
4. **Unidades monofásicas:** La protección térmica de las unidades monofásicas a veces está incorporada (verifique la placa del fabricante). Si no se proporciona protección incorporada, use un contactor con la sobrecarga apropiada. Se permite el uso de fusibles, los que deben ser apropiados.
5. **Unidades trifásicas:** Proporcione la protección de tres hilos exteriores con el arrancador magnético del tamaño adecuado y sobrecargas térmicas.
6. Máximas temperaturas del líquido: 212°F (100°C) con sello estándar. 250°F (120°C) con sello de alta temperatura, opcional.
7. Máxima presión de operación permisible: 230 lib/pulg² (15 baras).
8. Máximo número de arranques/hora: 20 distribuidos uniformemente.
9. La inspección y mantenimiento regulares aumentarán la vida útil. Base el programa en el tiempo de funcionamiento.

2. Instalación

1. Las unidades compactas se pueden instalar inclinadas o verticales.

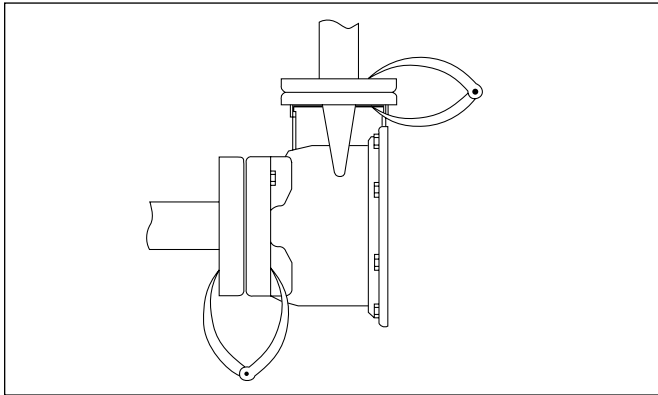


NO INSTALE CON EL MOTOR DEBAJO DE LA BOMBA. LA CONDENSACIÓN SE ACUMULARÁ EN EL MOTOR.

2. Coloque la bomba tan cerca de la fuente del líquido como sea posible (abajo del nivel del líquido para operación automática).
3. Proteja contra la congelación e inundaciones.
4. Deje suficiente espacio libre para darle servicio y ventilación.
5. Para las bombas compactas, la cimentación debe ser plana y substancial para eliminar las deformaciones cuando se aprietan los pernos. Use montajes de goma para minimizar el ruido y las vibraciones. Apriete los pernos de sujeción del motor antes de conectar la tubería a la bomba.
6. Para las bombas montadas en marco, se requiere una cimentación sólida y permanente para funcionamiento seguro. La placa de base debe adherirse con lechada a la cimentación con una zapata sólida.
7. Coloque la unidad sobre cuñas puestas en cuatro puntos. (Dos aproximadamente abajo del centro del motor y dos aproximadamente abajo de la bomba). Ajuste las cuñas para nivelar la unidad, trayendo las mitades del acoplamiento a una alineación razonable. Nivele o ponga a escuadra las bridas de succión y de descarga.
8. Asegúrese de que la placa de base no esté distorsionada y que la alineación final del acoplamiento se pueda hacer dentro de los límites del movimiento del motor o poniendo calzas, si fuese necesario.
9. Apriete con los dedos los pernos de la cimentación, y construya una presa alrededor de la cimentación. Derrame lechada debajo de la placa de base,

asegurándose de que las áreas debajo de la bomba y del motor estén bien llenas. Permita que la lechada fragüe por 48 horas antes de apretar más los pernos de la cimentación.

10. Toda la tubería debe estar soportada independientemente de la bomba y debe "alinearse" naturalmente. **Nunca estire la tubería en el lugar forzando las conexiones de la succión o descarga.**
11. La alineación angular de las bridas se puede lograr mejor usando calibradores en los lugares de los pernos (vea la ilustración).



12. En las unidades montadas en marco, apriete la cimentación, la bomba y los pernos de sujeción del impulsor, antes de conectar la tubería a la bomba.
13. Evite los accesorios innecesarios. Seleccione los tamaños para mantener bajas las pérdidas de presión.
14. Después de completar la tubería, gire a mano la unidad para verificar el trabado. Nota: En el extremo del eje del motor se proveen una ranura de destornillador o filos normales al eje.

3. Alineación

1. Las bombas compactas no necesitan alineación en el campo.
2. Aunque la unidad de bomba y motor pueda tener una alineación de fábrica, la misma puede haberse alterado en tránsito y se debe verificar antes del funcionamiento.
3. Verifique que todos los pernos de sujeción estén bien apretados antes de verificar la alineación.
4. Si es necesario realinear, siempre mueva el motor, Aplique calzas según se requiera.
5. La alineación final se logra cuando se cumplen los requerimientos paralelo y angular, con los pernos de sujeción y de la bomba y del motor, apretados.

PRECAUCIÓN SIEMPRE VUELVA A VERIFICAR AMBAS ALINEACIONES DESPUÉS DE HACER AJUSTES.

6. La alineación paralela es incorrecta cuando los ejes no están concéntricos. Ponga el indicador de cuadrante en un cubo y gire este cubo 360° mientras hace lecturas en el diámetro exterior del otro cubo. Hay alineación paralela cuando la lectura total del indicador es de 0,005" o menos.
7. La alineación angular es incorrecta cuando los ejes no están paralelos. Coloque el indicador de cuadrante en un cubo y gire este cubo 360° mientras hace lecturas en el diámetro del otro cubo. Hay alineación angular

cuando la lectura total del indicador es de 0,005" o menos.

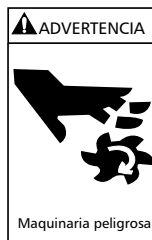
4. Tubería de succión

1. Es deseable tener una tubería de succión directa con altura estática de aspiración baja y corta. Para una altura de succión superior a 15 pies, consulte la curva de rendimiento de la bomba para ver *la Altura de succión positiva neta requerida*.
2. El tamaño del tubo de succión debe ser por lo menos igual a la conexión de succión de la bomba.
3. Si se usa un tubo más grande, un reductor de tubo excéntrico (con el lado recto arriba) debe usarse en la bomba.
4. Instalación con la fuente de suministro abajo de la bomba:
 - 4.1. Instale la válvula de aislación en la tubería para inspección y mantenimiento.
 - 4.2. **No use la válvula de aislación de succión para estrangular la bomba.**
5. Instalación con la fuente de suministro arriba de la bomba:
 - 5.1. Para evitar bolsas de aire, ninguna parte de la tubería debe estar más alta que la conexión de succión de la bomba. Incline la tubería hacia arriba, partiendo de la fuente del líquido.
 - 5.2. Todas las juntas deben ser estancas.
 - 5.3. La válvula de pie debe usarse sólo si es necesario para cebar, o sostener el cebado en el servicio intermitente.
 - 5.4. El área abierta del colador de succión debe ser por lo menos el triple del área del tubo.
6. El tamaño de la entrada de la fuente del líquido y la mínima inmersión sobre la entrada deben ser suficientes para impedir que el aire entre a la bomba.

5. Tubería de descarga

1. La disposición debe incluir una válvula de retención localizada entre una válvula de compuerta y la bomba. La válvula de compuerta es para regulación de la capacidad, o la inspección de la bomba o de la válvula de retención.
2. Si se requiere un reductor, instale entre la válvula de retención y la bomba.

6. Rotación



NO PONGA LAS MANOS EN LA SUCCIÓN DE LA BOMBA MIENTRAS VERIFICA LA ROTACIÓN DEL MOTOR. HACERLO CAUSARÁ SEVERAS LESIONES CORPORALES.

1. Las bombas son de rotación derecha (sentido dextroso visto desde el extremo del motor). Encienda y apague el interruptor. Observe la rotación del eje. En las unidades montadas en marco, verifique la rotación antes de acoplar la bomba al motor.

2. **Motor monofásico:** Consulte el diagrama de cableado en el motor si debe cambiarse la rotación.
3. **Motor trifásico:** Intercambie dos cualesquiera de los conductores de alimentación para cambiar la rotación.

7. Operación

1. Antes de arrancar, se debe cebar la bomba (el tubo de succión lleno y sin aire) y abrir parcialmente la válvula de descarga.

PRECAUCIÓN EL LÍQUIDO BOMBEADO PROPORCIONA LUBRICACIÓN. SI LA BOMBA FUNCIONA SECA, LAS PIEZAS GIRATORIAS SE AGARROTARÁN Y SE DAÑARÁ EL SELLO MECÁNICO.

2. Haga una verificación completa después que la unidad funcione bajo condiciones de operación y se establezca la temperatura. Verifique la expansión de la tubería. Verifique la alineación del acoplamiento.
3. **No haga funcionar con caudal cero o cerca de cero.** La energía impartida al líquido se convierte en calor y el líquido puede convertirse en vapor. Las piezas giratorias requieren líquido para impedir las estrías o agarrotamiento.

8. Mantenimiento

ADVERTENCIA LA OMISIÓN DE DESCONECTAR Y BLOQUEAR LA ALIMENTACIÓN ELÉCTRICA ANTES DE INTENTAR NINGÚN MANTENIMIENTO PUEDE CAUSAR CHOQUES, QUEMADURAS O LA MUERTE.

1. Los cojinetes están localizados adentro y son parte del motor. Para el procedimiento de lubricación, consulte las instrucciones del fabricante.
2. En las unidades montadas en marco, reengrase cada 2.000 horas de uso o cada 3 meses. Use grasa con base de Litio o Sodio #2 y llene hasta que la grasa salga de la grasera.

9. Desmontaje

1. **Apague la alimentación eléctrica.**
2. Drene el sistema. Lave con chorro de agua si es necesario.
3. Quite los pernos de sujeción del motor en las unidades compactas o desconecte el acoplamiento y quite el espaciador.
4. Quite los pernos de la carcasa y los pernos de sujeción de la bomba.
5. Quite el motor y el elemento giratorio de la carcasa.
6. Destornille el perno del impulsor con una llave de casquillo. No inserte un destornillador entre los álabes del impulsor para impedir la rotación. Puede ser necesario usar una llave de correa alrededor del impulsor si el impacto de la llave de casquillo no afloja el perno del impulsor.
7. Quite la arandela del impulsor.
8. Inserte dos barras de hacer palanca (espaciadas 180°) entre el impulsor y el alojamiento del sello. Haga palanca sacando el impulsor.

9. Quite el resorte del sello, la arandela acopada y la chaveta del impulsor.
10. Quite el alojamiento del sello, quitando con él las partes del sello rotatorio. (donde sea necesario se proveen ranuras para la barra de palanca).
11. Coloque el alojamiento del sello en una superficie plana. Presione fuera las partes del sello estacionario.
12. Quite el deflector del eje, en las unidades montadas en marco.
13. Quite los pernos que sujetan la tapa del cojinete al marco y quite la tapa del cojinete (montado en marco).
14. Quite los sellos de reborde del marco del cojinete y la tapa del cojinete (montado en marco).
15. Quite el eje y los cojinetes del marco (montado en marco).
16. Quite el anillo de retención de los cojinetes.
17. Use un extractor de cojinete o prensa para quitar cojinetes de bolas (montado en marco).
18. Quite la camisa del eje si está muy rayada. La camisa del eje está adherida al eje y debe calentarse a unos 250°F para facilitar quitarla.
19. Quite el anillo de desgaste si está excesivamente dañado. Use una barra de hacer palanca y/o prensas de mordazas.

10. Reensamble

1. Todas las piezas se deben limpiar antes de montar.
2. Consulte la lista de piezas para identificar los artículos de reemplazo requeridos.
3. Reensamblar es lo contrario del procedimiento de montar.
4. Cambie los sellos de reborde si están desgastados o dañados (montado en marco solamente).
5. Cambie los cojinetes de bolas si están flojos, ásperos o ruidosos cuando giran (montado en marco solamente).
6. Verifique que el valor máximo fuera de redondez del eje no supere 0,005" de lectura total del indicador. Los asientos de cojinetes y áreas de sello de reborde deben ser suaves y estar libres de rayaduras o muescas. Cambie si es necesario (montado en marco solamente).
7. Todos los componentes de sello mecánico deben estar en buenas condiciones o pueden producirse fugas. El cambio del conjunto del sello completo, es buena práctica normal, siempre que se quite el sello.
8. Si se cambia el anillo de desgaste, no use lubricantes en el encaje de metal a metal cuando empuje la pieza de reemplazo.
9. Si se quita el impulsor, como por ejemplo para efectuar un cambio de sello mecánico, se debe seguir el procedimiento siguiente: El perno viejo del impulsor y las juntas de empaque del impulsor no se pueden volver a usar.
10. Instale el asiento estacionario del sello mecánico en la caja del sello, usando agua jabonosa como lubricante para facilitar la inserción.
11. **S-Grupo** - instale al detenedor de resorte mecánico del sello, al resorte y a ensamblaje rotatorio en la funda del eje usando el agua jabonosa para lubricar. Resbale la funda del eje sobre el eje de la bomba, sea seguro que un anillo o nuevo de la funda del eje está utilizado.

NOTA: EL ANILLO O DE LA ARANDELA DEL ANILLO O Y DEL IMPULSOR DE LA FUNDA DEL EJE ES CASI IDÉNTICO EN DIÁMETRO. SEA SEGURO UTILIZAR EL ANILLO O SECCIONADO TRANSVERSALMENTE REDONDO SE UTILIZA EN LA FUNDA DEL EJE.

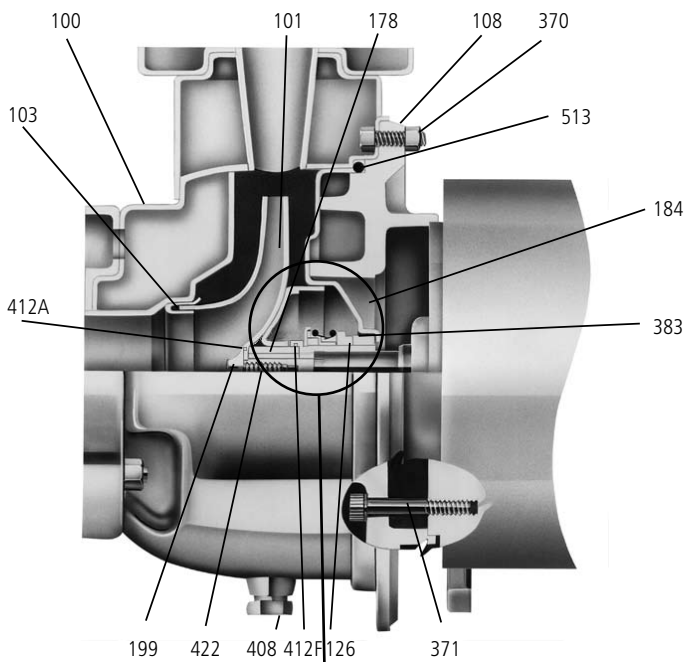
11. **M-Grupo** - instale el resorte mecánico del sello y rotatorio en la funda del eje usando el agua jabonosa para lubricar. Resbale la funda del eje sobre el eje de la bomba. Sea seguro que un anillo o nuevo de la funda del eje está utilizado. Coloque el detenedor de resorte mecánico del sello sobre el cubo del impulsor.
12. Ponga el clave del impulsor en la chavetera del eje y resbale el impulsor en lugar. Instale la arandela del poste del impulsor y del impulsor. Sea seguro que un anillo o nuevo del impulsor está utilizado. Apriete el S-Grupo (3/8" cuerda de rosca) a 17 pies-lb. y al M-Grupo cuerda de rosca (de 1/2") a 38 pies-lb.
13. Sustituya los pernos de la cubierta y apriete en una secuencia de la travesía a los valores de esfuerzo de torsión indicados abajo.
S-Grupo – 25 pies-lb. (35 N-m)
M-Grupo – 37 pies-lb. (50 N-m)
14. Controle la unidad vuelta a montar para saber si hay atar rotando el eje con la herramienta apropiada de extremo del motor.
15. Si existe el frotamiento, afloje los pernos de la cubierta y proceda con el ajuste de secuencia otra vez.

11. Investigación de averías

1. El motor no arranca y no hay ruido o vibración:
 - 1.1. No está conectada la alimentación eléctrica.
 - 1.2. Los fusibles o dispositivos de protección están disparados o defectuosos.
 - 1.3. Conexiones eléctricas flojas o rotas.
2. No arranca el motor pero hace ruido y vibra:
 - 2.1. Motor no conectado como indica el diagrama.
 - 2.2. Eje trabado debido a obstrucciones mecánicas en el motor o en la bomba.
 - 2.3. Tensión baja o pérdida de fase en el abastecimiento trifásico.
3. La bomba no entrega la capacidad nominal:
 - 3.1. La bomba no está llena o cebada.
 - 3.2. La bomba perdió el cebado debido a fugas en la línea de succión.
 - 3.3. Dirección de rotación incorrecta. Vea la **Rotación**.
 - 3.4. La altura requerida es mayor que la especificada originalmente. (La válvula puede estar parcialmente cerrada.)
 - 3.5. La válvula de pie está taponada.
 - 3.6. La altura de succión es demasiado alta.
 - 3.7. El diámetro del tubo de succión es demasiado pequeño.

4. La protección dispara al arrancar la unidad:
 - 4.1. Pérdida de fase en la alimentación trifásica.
 - 4.2. El dispositivo de protección puede estar defectuoso.
 - 4.3. Las conexiones eléctricas están flojas o rotas.
 - 4.4. Verifique la resistencia del motor y la aislación a tierra.
5. El dispositivo de protección dispara demasiado frecuentemente:
 - 5.1. La protección puede regularse a un valor inferior al de la carga plena del motor.
 - 5.2. Pérdida de fase debido a contactos defectuosos o del cable de alimentación.
 - 5.3. Líquido es viscoso o su gravedad específica demasiado alta.
 - 5.4. Ocurre roce entre las partes giratorias y estacionarias.
6. El eje gira con dificultad:
 - 6.1. Verifique si hay obstrucciones en el motor o en la bomba.
 - 6.2. Hay roce entre las partes giratorias y estacionarias.
 - 6.3. Verifique la buena condición de los cojinetes.
7. La bomba vibra, funciona ruidosamente y el caudal no es uniforme:
 - 7.1. La bomba funciona más allá de la capacidad nominal.
 - 7.2. Bomba o tubería no bien asegurada.
 - 7.3. Altura de succión demasiado alta.
 - 7.4. Diámetro de la tubería de succión demasiado pequeño.
 - 7.5. Cavitación causada por suministro inadecuado del líquido o excesivas pérdidas de succión.
 - 7.6. El impulsor está bloqueado.
8. Cuando se para, la unidad gira lentamente en la dirección inversa:
 - 8.1. Fugas u obturaciones de aire en la tubería de succión.
 - 8.2. Bloqueo parcial en la válvula de retención.
9. En aplicaciones de refuerzo de presión, la unidad arranca y se para con demasiado frecuencia:
 - 9.1. Los reglajes del interruptor de presión son incorrectos.
 - 9.2. El tamaño del tanque es incorrecto.
10. En aplicaciones de refuerzo de presión, la unidad no se para:
 - 10.1. El reglaje máximo del interruptor de presión es mayor que el especificado.
 - 10.2. La dirección de rotación es incorrecta. Vea **Rotación**.

Componentes SSH-C

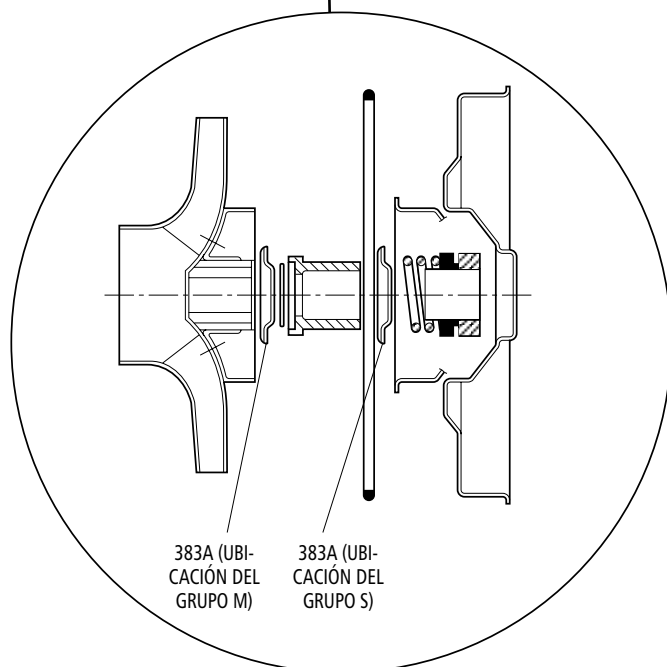


MATERIALES DE CONSTRUCCIÓN

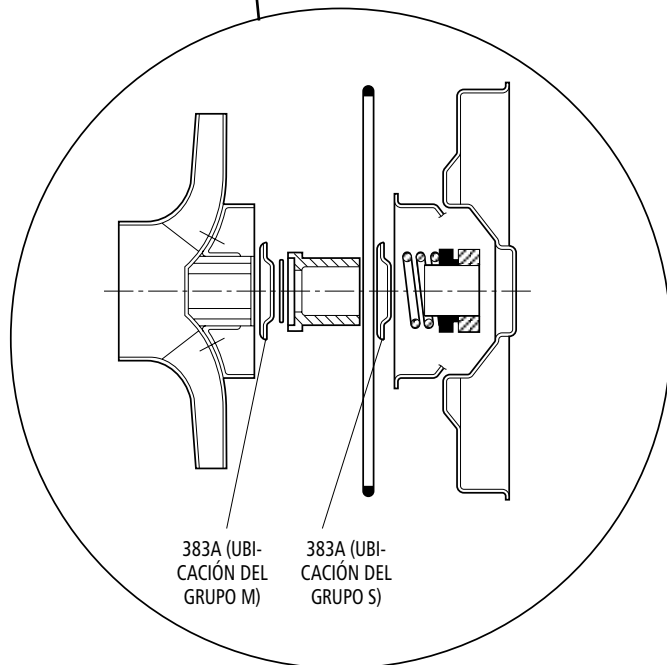
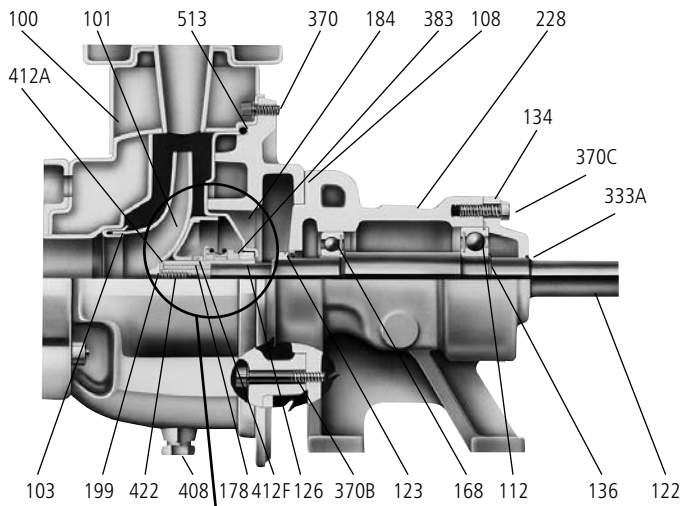
Artículo	Descripción	Material
100	Carcasa	AISI A.I. Tipo 316L
101	Impulsor	
103	Anillo de desgaste	
184	Alojamiento del sello	
370	Tornillo de casquete de cabeza hueca (carcasa al adaptador)	
408	Tapón de drenaje — 3/8 NPT	AISI A.I. Tipo 316
126	Camisa del eje	316 SS
178	Chaveta del impulsor	Acero
422	Perno del impulsor	Acero
199	Arandela del impulsor	316 SS
108	Adaptador	Hierro fundido ASTM A48 CL20
371	Tornillo de casquete de cabeza hexagonal (adaptador al motor)	Acero
412A	Anillo en O, impulsor	Buna-N
412F	Anillo en O, camisa del eje	Buna-N
513	Anillo en O	Buna-N
383	Sello mecánico, Pieza No. 10K13	Carbono/cerámica elastómeros de buna piezas metálicas A.I. 316

SELLOS MECÁNICOS OPCIONALES

Sellos mecánicos John Crane Tipo 21						
Artículo	Pieza No.	Giratorio	Estacionario	Elastómeros	Partes metálicas	Servicio previsto
383 Opciones	10K19	Carbono	Resist. Ni.	EPR	A.I. 316	Alta temperatura
	10K25		Resist. Ni.	Viton		Serv. químico
	10K27		Carburo de tungsteno	EPR		Alta temperatura, abrasivo suave



Componentes SSH-F

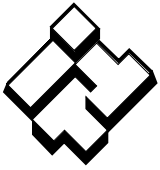


MATERIALES DE CONTRUCCIÓN

Artículo	Descripción	Material	
Componentes del extremo de la bomba	100	Carcasa	AISI A.I. Tipo 316L
	101	Impulsor	
	103	Anillo de desgaste	
	184	Alojamiento del sello	
	370	Tornillo de casquete de cabeza hueca	
	408	Tapón de drenaje - 3/8 NPT	AISI A.I. Tipo 316
	126	Camisa del eje	316 SS
	178	Chaveta del impulsor	Acero
	422	Perno del impulsor	Acero
	199	Arandela del impulsor	316 SS
412A	Anillo en O, impulsor	Buna N	
412F	Anillo en O, camisa del eje	Buna N	
513	Anillo en O	Buna N	
Componentes del extremo motriz	383	Sello mecánico Pieza No. 10K13	Carbono/cerámica Elastómeros Buna N Piezas metálicas A.I. 316
	108	Adaptador	Hierro fundido ASTMA48 CL20
	228	Marco del cojinete	
	134	Tapa del cojinete	
	122	Eje de la bomba	Acero
	168	Cojinete de bolas (interior)	
	112	Cojinete de bolas (exterior)	
	136	Arandela de seguridad, cojinete	
	370B	Tornillo de casquete de cabeza hex. (adaptador al marco del cojinete)	
	370C	Tornillo de casquete de cabeza hex. (marco del cojinete a la tapa)	
333A	Reborde del sello	Buna N	
193	Grasera	Acero	
123	Deflector de anillo en V	Buna N	

SELLOS MECÁNICOS OPCIONALES

Sellos mecánicos John Crane Tipo 21						
Artículo	Pieza No.	Giratorio	Estacionario	Elastómeros	Partes metálicas	Servicio previsto
383 Opciones	10K19	Carbono	Resist. Ni.	EPR	A.I. 316	Alta temperatura
	10K25		Resist. Ni.	Viton		Serv. químico
	10K27		Carburo de Tungsteno	EPR		Alta temperatura, abrasivo suave



ITT

Agua Industrial

GARANTÍA LIMITADA DE GOULDS PUMPS

Esta garantía es aplicable a todas las bombas para sistemas de agua fabricadas por Goulds Pumps. Toda parte o partes que resultaren defectuosas dentro del período de garantía serán reemplazadas, sin cargo para el comerciante, durante dicho período de garantía. Tal período de garantía se extiende por doce (12) meses a partir de la fecha de instalación, o dieciocho (18) meses a partir de la fecha de fabricación, cualquiera se cumpla primero.

Todo comerciante que considere que existe lugar a un reclamo de garantía deberá ponerse en contacto con el distribuidor autorizado de Goulds Pumps del cual adquiriera la bomba y ofrecer información detallada con respecto al reclamo. El distribuidor está autorizado a liquidar todos los reclamos por garantía a través del Departamento de Servicios a Clientes de Goulds Pumps.

La presente garantía excluye:

- (a) La mano de obra, el transporte y los costos relacionados en los que incurra el comerciante;
- (b) los costos de reinstalación del equipo reparado;
- (c) los costos de reinstalación del equipo reemplazado;
- (d) daños emergentes de cualquier naturaleza; y
- (e) el reembolso de cualquier pérdida causada por la interrupción del servicio

A los fines de esta garantía, los términos "Distribuidor", "Comerciante" y "Cliente" se definen como sigue:

- (1) "Distribuidor" es aquel individuo, sociedad, corporación, asociación u otra persona jurídica que opera en relación legal entre Goulds Pumps y el comerciante para la compra, consignación o contratos de venta de las bombas en cuestión.
- (2) "Comerciante" es todo individuo, sociedad, corporación, asociación u otra persona jurídica que en el marco de una relación legal realiza negocios de venta o alquiler-venta (leasing) de bombas a clientes.
- (3) "Cliente" es toda entidad que compra o que adquiere bajo la modalidad de leasing las bombas en cuestión de un comerciante. El término "cliente" puede significar un individuo, sociedad, corporación, sociedad de responsabilidad limitada, asociación o cualquier otra persona jurídica con actividades en cualquier tipo de negocios.

LA PRESENTE GARANTÍA SE EXTIENDE AL COMERCIANTE ÚNICAMENTE.



Goulds Pumps y el símbolo ITT Engineered Blocks son marcas registradas y marcas comerciales de ITT Industries.

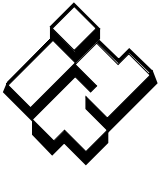
Loctite y Locquic son marcas registradas de Loctite Corporation.

LAS ESPECIFICACIONES ESTÁN SUJETAS A CAMBIO SIN PREVIO AVISO.

IM084R03 Marcha, 2006

© 2006 ITT Water Technology, Inc.

Engineered for life

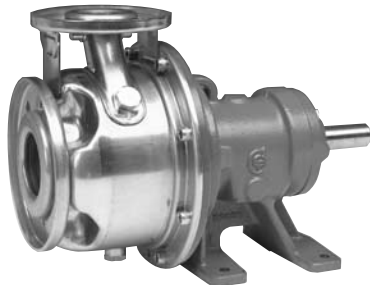


ITT

Systemes d'alimentation
en eau commerciaux

Goulds Pumps

G&L SERIES SSH-C and SSH-F
Directives d'installation,
d'utilisation et d'entretien



Goulds Pumps est une marque d'ITT Water
Technology, Inc., une filiale d'ITT Industries, Inc.

www.goulds.com

Engineered for life

Table des matières

SUJET	PAGE
Consignes de sécurité.....	27
Informations importantes	27
Installation.....	27
Alignement.....	28
Tuyauterie d'aspiration.....	28
Tuyauterie de refoulement.....	28
Sens de rotation.....	29
Utilisation.....	29
Entretien.....	29
Démontage.....	29
Remontage	30
Diagnostic des anomalies.....	30
Composants	31
Données Techniques – SSH, groupe S.....	9
Dimensiones et poids – SSH Montée sur moteur, groupe S	10
Dimensiones et poids – SSH montée sur palier, groupe S....	11
Données techniques – SSH F, groupe M.....	12
Dimensiones et poids – SSH montée sur moteur, groupe M	13
Dimensiones et poids – SSH montée sur palier, groupe M	14
Déclaration de conformité.....	35
Garantie limitée de Goulds Pumps.....	36

Informations pour le propriétaire

Noter ci-dessous les informations de la plaque signalétique de la pompe. La garantie est présentée en page 36.

Modèle de pompe : _____

Numéro de série : _____

Détaillant : _____

N° de téléphone du détaillant : _____

Date d'achat : _____

Date d'installation : _____

CONSIGNES DE SÉCURITÉ

AFIN DE PRÉVENIR LES BLESSURES GRAVES OU MORTELLES ET LES DOMMAGES MATÉRIELS IMPORTANTS, LIRE ET SUIVRE TOUTES LES CONSIGNES DE SÉCURITÉ FIGURANT DANS LE MANUEL ET SUR LA POMPE.

LE PRÉSENT MANUEL A POUR BUT DE FACILITER L'INSTALLATION ET L'UTILISATION DE LA POMPE ET DOIT RESTER PRÈS DE CELLE-CI.



Le symbole ci-contre est un **SYMBOLE DE SÉCURITÉ** employé pour signaler sur la pompe et dans le manuel les mots-indicateurs dont on trouvera la description ci-dessous. Sa présence sert à attirer l'attention afin d'éviter les blessures et les dommages matériels.



Prévient des risques qui **VONT** causer des blessures graves, la mort ou des dommages matériels importants.



Prévient des risques qui **PEUVENT** causer des blessures graves, la mort ou des dommages matériels importants.



Prévient des risques qui peuvent causer des blessures ou des dommages matériels.

AVIS: SERT À ÉNONCER LES DIRECTIVES SPÉCIALES DE GRANDE IMPORTANCE QUE L'ON DOIT SUIVRE.

LIRE SOIGNEUSEMENT CHAQUE DIRECTIVE ET AVERTISSEMENT AVANT D'EFFECTUER TOUT TRAVAIL SUR LA POMPE.

N'ENLEVER AUCUNE DÉCALCOMANIE DE SECURITE.



Les fluides dangereux peuvent causer un incendie, des brûlures ou la mort.

APPAREIL NON CONÇU POUR LES LIQUIDES DANGEREUX NI POUR LES GAZ INFLAMMABLES. CES FLUIDES PEUVENT ÊTRE PRÉSENTS DANS LES INSTALLATIONS DE CONFINEMENT (PUITS COLLECTEURS).

AVIS: INSPECTER L'APPAREIL ET SIGNALER IMMÉDIATEMENT TOUT DOMMAGE AU TRANSPORTEUR OU AU DÉTAILLANT.

1. Informations importantes

1. Inspecter l'appareil et signaler immédiatement tout dommage au transporteur.
2. L'alimentation en électricité doit être assurée par un circuit de dérivation distinct ont les fusibles ou les disjoncteurs, le calibre des fils, etc. sont conformes aux prescriptions du code provincial ou national de l'électricité. Poser un sectionneur tout conducteur près de la pompe.



Les tensions dangereuses peuvent causer un choc électrique, des brûlures ou la mort.

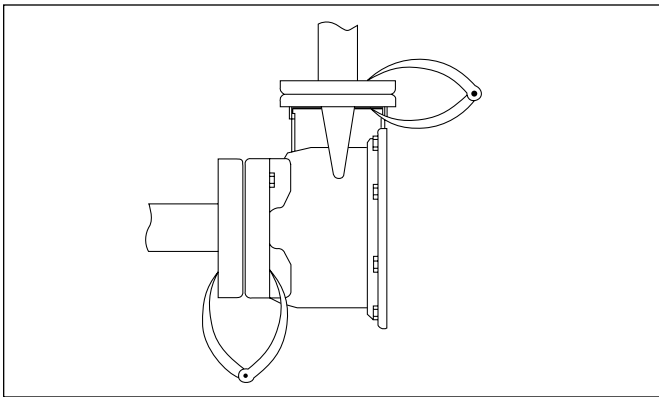
ON DOIT TOUJOURS COUPER LE COURANT LORSQUE L'ON EFFECTUE QUELQUE TRAVAIL QUE CE SOIT SUR LA POMPE OU SUR LES COMMANDES.

3. Le câblage d'alimentation du moteur doit convenir à la tension de fonctionnement (consulter la plaque signalétique). Les fils doivent avoir un calibre limitant la chute de tension maximale, aux bornes du moteur, à 10% de la valeur de tension indiquée sur la plaque signalétique, sinon la durée de vie du moteur et les performances de la pompe diminueront.
4. **Moteurs monophasés :** Ces moteurs sont parfois munis d'une protection thermique intégrée (consulter la plaque signalétique). Dans le cas contraire, utiliser un contacteur à protection appropriée contre les surcharges. Les dispositifs fusibles utilisés correctement sont permis.
5. **Moteurs triphasés :** Employer une protection trois conducteurs appropriée contre les surcharges thermiques ainsi qu'un démarreur magnétique convenant à la charge électrique.
6. Température maximale du liquide :
100°C (212°F), avec garniture mécanique standard ;
120°C (250°F), avec garniture mécanique pour hautes températures en option.
7. Pression de service maximale admissible – 230 lb/po².
8. Nombre maximal de démarrages par heure : 20, réparatis uniformément.
9. Une inspection et un entretien réguliers augmenteront la durée de vie de l'appareil. Établir un programme d'entretien et d'inspection basé sur le temps de fonctionnement.

2. Installation

1. Les groupes monobloc (pompes sur moteur) peuvent être installés sur une surface inclinée ou verticale.
- CAUTION** AFIN D'EMPÊCHER L'ACCUMULATION D'EAU DE CONDENSATION DANS LE MOTEUR, NE PAS PLACER CELUI-CI PLUS BAS QUE LA POMPE.
2. Placer la pompe aussi près de la source de liquide que possible (au-dessous du niveau du liquide pour qu'elle fonctionne automatiquement).
 3. Protéger l'appareil contre les inondations et le gel.
 4. Laisser assez d'espace pour l'entretien et l'aération.
 5. Les groupes monobloc doivent être fixés à une surface (dalle) plane et solide pour empêcher que le serrage des boulons ne cause de contraintes. Monter l'appareil sur caoutchouc pour réduire le bruit et les vibrations au minimum. Serrer les boulons de fixation du moteur avant de raccorder la tuyauterie à la pompe.
 6. Les pompes montées sur palier doivent être fixées à une surface (dalle) permanente et solide pour fonctionner en douceur. On doit assujettir la plaque de base à une dalle reposant sur une semelle de fondation solide et remplir de coulis l'espace séparant la plaque et la dalle.

7. Placer l'appareil sur des coins de nivellement situés en quatre points distincts : deux sous le centre approximatif du moteur et deux sous celui de la pompe. À l'aide des coins, mettre l'appareil et les brides d'aspiration et de refoulement de niveau (avec un fil à plomb ou un niveau), tout en alignement les demi-accouplements raisonnablement bien.
8. S'assurer que la plaque de base n'est pas déformée et que l'alignement final de l'accouplement est possible dans les limites de déplacement du moteur ou de calage au besoin.
9. Serrer les boulons d'ancrage à la main et construire un coffrage autour de la plaque de base. Verser du coulis sous la plaque et s'assurer que les zones situées sous les pattes de la pompe et du moteur sont entièrement plaines. Laisser le coulis durcir pendant 48 heures avant de resserrer les boulons d'ancrage.
10. La tuyauterie doit posséder ses propres supports et « être alignée » sans contraintes sur la pompe. La tuyauterie doit être posée de façon à ne jamais appliquer de contraintes sur les raccords d'aspiration et de refoulement de la pompe.
11. Pour obtenir de meilleurs résultats, effectuer l'alignement angulaire des brides d'aspiration et de refoulement à l'aide d'un compas d'épaisseur placé près des trous de boulon (v. illustration).



12. Dans le cas des pompes sur palier, serrer les boulons d'ancrage et de fixation du palier et du moteur avant de raccorder les tuyaux à la pompe.
13. Ne poser aucun accessoire ni raccord de tuyauterie superflus. Choisir le calibre qui réduit les pertes de charge par frottement.
14. Une fois la tuyauterie raccordée, faire tourner la pompe à la main pour vérifier s'il y a grippage. *Nota* : une fente ou des méplats sont prévus à cette fin à l'extrémité de l'arbre de moteur.

3. Alignement

1. Aucun alignement sur place n'est requis pour les pompes montées sur moteur.
2. Bien que l'alignement pompe-moteur ait été exécuté en usine, il peut avoir été dérégulé pendant le transport. On doit donc le vérifier avant la mise en service.
3. S'assurer que tous les boulons de fixation sont bien serrés avant de vérifier l'alignement.
4. If re-alignment is necessary, always move the motor. Shim as required.
5. L'alignement final convient lorsqu'il satisfait aux exigences relatives à l'alignement parallèle et angulaire,

après le serrage à fond des boulons de fixation de la pompe et du moteur.

ATTENTION ON DOIT TOUJOURS VÉRIFIER LES DEUX TYPES D'ALIGNEMENT APRÈS CHAQUE RÉGLAGE.

6. Il y a désalignement parallèle quand les arbres ne sont pas concentriques. Fixer au moyeu d'un demi-accouplement un comparateur à cadran, dont on déplace le curseur de 360° le long de la périphérie de l'autre demi-accouplement tout en notant l'écart indiqué par l'aiguille. L'alignement est correct si le faux-rond total est de 0,127 mm (0,005 po) ou moins.
7. Il y a désalignement angulaire quand les arbres ne sont pas parallèles. Fixer au moyeu d'un demi-accouplement un comparateur à cadran et déplacer le curseur de celui-ci de 360° le long du plateau de l'autre demi-accouplement tout en notant l'écart indiqué par l'aiguille. L'alignement est correct si le faux-rond total est de 0,127 mm (0,005 po) ou moins.

4. Tuyauterie d'aspiration

1. Une hauteur géométrique d'aspiration réduite et une tuyauterie directe et courte sont souhaitables. Consulter la courbe de performances de la pompe pour obtenir la *hauteur nette d'aspiration requise (NPSHR)*.
2. Le calibre du tuyau d'aspiration doit être au moins égal à celui du raccord d'aspiration de la pompe.
3. S'il faut un tuyau plus gros, on doit installer près de la pompe un raccord réducteur excentré (le côté non oblique en haut).
4. Pompe placée plus bas que la source de liquide :
 - 4.1. Poser un robinet d'isolement sur le tuyau d'aspiration pour l'inspection et l'entretien.
 - 4.2. **Ne pas employer le robinet d'isolement pour réduire la section de passage vers la pompe !**
5. Pompe placée plus haut que la source de liquide :
 - 5.1. Afin de prévenir les poches d'air, aucun élément de la tuyauterie d'aspiration ne devrait être plus haut que le raccord d'aspiration de la pompe. Donner à la tuyauterie une inclinaison vers le haut à partir de la source de liquide.
 - 5.2. Chaque joint doit être étanche.
 - 5.3. N'employer un clapet de pied que s'il est nécessaire pour amorcer la pompe ou la maintenir amorcée au cours des interruptions de service.
 - 5.4. La section de passage de la crépine du tuyau d'aspiration doit être au moins le triple de celle du tuyau.
6. Le diamètre et la hauteur d'immersion de l'entrée du tuyau d'aspiration doivent être suffisants pour empêcher l'aspiration d'air dans la pompe.

5. Tuyauterie de refoulement

1. L'installation doit comporter un robinet-vanne, ainsi qu'un clapet de non-retour placé entre le robinet-vanne et la pompe. Le robinet-vanne sert à la régulation du débit et à l'inspection de la pompe et du clapet de non-retour.
2. Si un raccord réducteur est nécessaire, le poser entre le clapet de non-retour et la pompe.

6. Sens de rotation



ÉVITER LES BLESSURES GRAVES : NE PAS S'INTRODUIRE LA MAIN DANS L'ORIFICE D'ASPIRATION DE LA POMPE PENDANT LA VÉRIFICATION DU SENS DE ROTATION.

1. La rotation s'effectue en sens horaire (vers la droite, vue de l'extrémité du moteur). Démarrer et arrêter la pompe immédiatement pour en observer le sens de rotation. Dans le cas des pompes sur palier, vérifier le sens de rotation avant d'accoupler le moteur à la pompe.
2. **Moteur monophasé** : si l'on doit inverser le sens de rotation, consulter le schéma de câblage sur le moteur.
3. **Moteur triphasé** : intervertir deux conducteurs d'alimentation pour inverser le sens de rotation.

7. Utilisation

1. Avant la mise en service, on doit amorcer la pompe (pour en faire sortir l'air et remplir de liquide le tuyau d'aspiration) et entrouvrir le robinet de refoulement.



LES LIQUIDES POMPÉS SERVENT DE LUBRIFIANT. EN CAS DE FONCTIONNEMENT À SEC, LES PIÈCES MOBILES GRIPPERAIENT, ET LA GARNITURE MÉCANIQUE S'ENDOMMAGERAIT.

2. Faire fonctionner l'appareil dans des conditions normales jusqu'à ce que sa température se stabilise, puis vérifier tout le système. Vérifier aussi si la tuyauterie se dilate et si l'accouplement est désaligné.
3. Ne pas faire fonctionner la pompe lorsque le débit est nul ou presque, car le liquide absorberait alors la chaleur produite par frottement et pourrait se changer rapidement en vapeur. Les pièces mobiles doivent être lubrifiées par le liquide pour ne pas s'endommager ni gripper.

8. Entretien



OMETTRE LE VERROUILLAGE DU DISJONCTEUR DU CIRCUIT ÉLECTRIQUE EN POSITION OUVERTE AVANT D'EFFECTUER TOUT TRAVAIL D'ENTRETIEN SUR LA POMPE PEUT CAUSER UN CHOC ÉLECTRIQUE, DES BRÛLURES OU LA MORT.

1. Les roulements sont situés à l'intérieur du moteur. Suivre les directives du fabricant du moteur pour leur graissage.
2. Dans le cas des pompes sur palier, graisser les roulements de palier toutes les 2 000 heures ou tous les 3 mois. Employer une graisse au lithium ou au sodium n° 2 et remplir les roulements jusqu'à ce que la graisse sorte par les garnitures.

9. Démontage

1. Il faut toujours couper le courant avant de procéder au démontage.
2. Vidanger le système. Le rincer au besoin.
3. S'il s'agit d'une pompe sur moteur, enlever les boulons de fixation de ce dernier. Sinon, détacher l'accouplement, puis en ôter la pièce d'écartement.
4. Enlever les vis de fixation du corps de pompe et les boulons de fixation du moteur.
5. Écarter l'ensemble d'entraînement de la roue d'avec le corps de pompe.
6. Enlever la vis de blocage de la roue avec une clé à douille. **Ne pas insérer de tournevis entre les aubes de la roue pour l'empêcher de tourner.** Il faudra peut-être bloquer la roue avec un serre-tubes à sangle si l'on ne parvient pas à desserrer la vis en donnant des coups secs sur la clé.
7. Enlever le joint torique de roue.
8. Sortir la roue au moyen de deux leviers placés dans un angle de 180° entre la roue et le logement de garniture.
9. Retirer la chemise d'arbre, le ressort de garniture, la rondelle cuvette, l'élément mobile de garniture et la clavette de roue.
10. Enlever le logement de garniture.
11. Placer le logement de garniture sur une surface plane et pousser l'élément fixe de la garniture hors du logement.
12. Dans le cas des pompes sur palier, ôter le déflecteur de l'arbre de pompe.
13. Enlever les vis du couvercle de palier (des pompes sur palier), puis le couvercle.
14. Retirer les joints à lèvre du palier et de son couvercle.
15. Sortir l'arbre et les roulements du palier.
16. Enlever la bague de retenue du roulement (pompes sur palier).
17. À l'aide d'une arrache-roulement ou d'une presse à mandriner, ôter les roulements.
18. Enlever la bague d'usure si elle est trop usée : employer un levier ou une pince-étoupe.

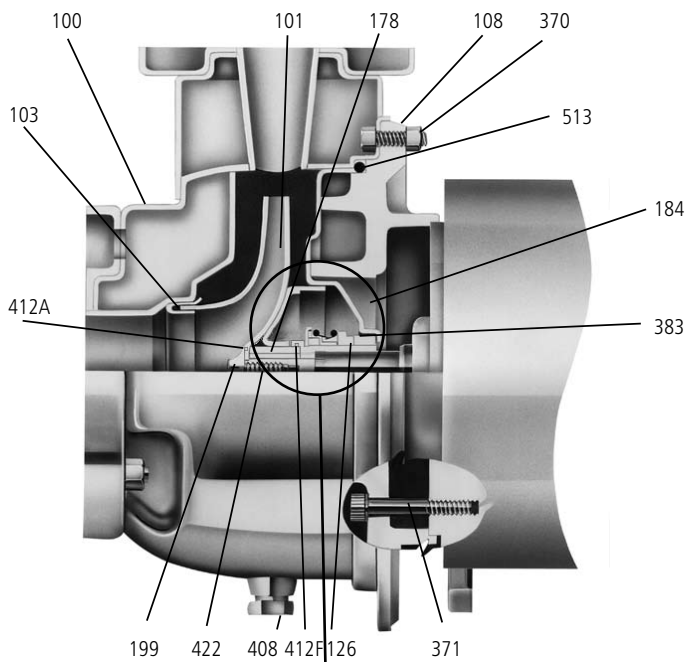
10. Remontage

1. Chaque pièce devrait être nettoyée avant le remontage.
 2. Voir la liste des pièces pour déterminer celles qui sont requises.
 3. Le remontage se fait dans l'ordre inverse du démontage.
 4. Remplacer les joints à lèvres s'ils sont usés ou endommagés (pompes sur palier seulement).
 5. Remplacer les roulements à billes s'ils ont du jeu, s'ils ne tournent pas rond ou s'ils sont bruyants (pompes sur palier seulement).
 6. Vérifier si l'arbre de pompe comporte un faux-rond : le faux-rond maximal admissible est de 0,127 mm (0,005 po). Les surfaces d'appui des roulements à billes et des joints à lèvres doivent être lisses (exemptes d'éraflures et d'encoches). Remplacer ces pièces au besoin (pompes sur palier seulement).
 7. Tous les composants de la garniture mécanique doivent être en bon état pour empêcher les fuites. Le remplacement de la garniture en entier est une pratique courante appropriée chaque fois que la garniture est enlevée.
 8. Lorsque l'on remplace la bague d'usure, ne pas employer de lubrifiant pour faciliter la pose de la bague neuve.
 9. Si l'on enlève la roue (pour remplacer la garniture mécanique par exemple), on ne doit pas réutiliser la vis de blocage ni le joint torique de la roue.
 10. Insérer l'élément fixe de la garniture mécanique dans le logement de garniture. L'enduire d'eau savonneuse pour en faciliter l'insertion.
 11. **S-Groupe** - installez l'arrêt de ressort mécanique de joint, le ressort et le montage rotatoire sur la douille d'axe en utilisant l'eau savonneuse pour lubrifier. Glissez la douille d'axe au-dessus de l'axe de pompe, soyez sûr qu'une nouvelle bague de douille d'axe est utilisée.
- NOTA : LE JOINT TORIQUE DE LA CHEMISE D'ARBRE ET CELUI DE LA RONDELLE DE BLOCAGE DE LA ROUE ONT UN DIAMÈTRE PRESQUE IDENTIQUE. VOIR À POSER LE PLUS GRAND DES DEUX SUR LA CHEMISE D'ARBRE.**
11. **M-Groupe** - installez le ressort mécanique de joint et rotatoire sur la douille d'axe en utilisant l'eau savonneuse pour lubrifier. Glissez la douille d'axe au-dessus de l'axe de pompe. Placez l'arrêt de ressort mécanique de joint au-dessus du pivot de roue à aubes.
 12. Insérer la clavette dans sa rainure (sur l'arbre), puis poser la roue, la rondelle et la vis de blocage de la roue. Voir à utiliser un joint torique de roue neuf. Serrer la vis de $\frac{3}{8}$ po (groupe S) à 23,0 N·m (17 lbf·pi) et celle de $\frac{1}{2}$ po (groupe M) à 51,5 N·m (38 lbf·pi).
 13. Substituez les boulons d'enveloppe et serrez dans un ordre de croisement aux valeurs de serrage indiquées ci-dessous.
Groupe S – 35 N·m (25 lbf·pi)
Groupe M – 50 N·m (37 lbf·pi)
 14. Examinez l'unité assemblée pour assurer l'alignement en tournant l'axe avec l'outil approprié à partir de l'extrémité de moteur.
 15. Si le frottement existe, détachez les boulons d'enveloppe et continuez de serrer l'ordre encore.

11. Diagnostic des anomalies

1. Le moteur ne démarre pas, et il n'y a ni bruit ni vibration :
 - 1.1. Câble d'alimentation non connecté.
 - 1.2. Fusibles sautés ou dispositif de protection déclenché ou défectueux.
 - 1.3. Connexions lâches ou endommagées.
2. Le moteur ne démarre pas, mais il y a du bruit et des vibrations :
 - 2.1. Moteur non connecté conformément au schéma de câblage.
 - 2.2. Moteur ou pompe bloqués.
 - 2.3. Basse tension ou perte de phase (alimentation triphasée).
3. Le débit de la pompe est inférieur au débit nominal :
 - 3.1. Pompe non remplie ni amorcée.
 - 3.2. Pompe non amorcée en raison de fuites dans le tuyau d'aspiration.
 - 3.3. Mauvais sens de rotation (v. Sens de rotation).
 - 3.4. Hauteur de charge requise supérieure à la hauteur spécifiée à l'origine. (Le robinet peut être partiellement fermé.)
 - 3.5. Clapet de pied obstrué.
 - 3.6. Hauteur d'aspiration excessive.
 - 3.7. Calibre du tuyau d'aspiration trop petit.
4. La protection se déclenche lorsque le moteur démarre :
 - 4.1. Perte de phase (alimentation triphasée).
 - 4.2. Dispositif de protection défectueux.
 - 4.3. Connexions lâches ou endommagées.
 - 4.4. Résistance moteur-terre et isolation-terre à vérifier.
5. Le dispositif de protection se déclenche trop souvent :
 - 5.1. Protection réglée à une valeur inférieure à celle du moteur à pleine charge.
 - 5.2. Perte de phase en raison de contacts ou de fils d'alimentation défectueux.
 - 5.3. Viscosité ou densité du liquide trop élevées.
 - 5.4. Frottement entre les pièces mobiles et fixes.
6. L'arbre tourne à peine :
 - 6.1. Pompe ou moteur obstrués.
 - 6.2. Frottement entre les pièces mobiles et fixes.
 - 6.3. Roulements en mauvais état.
7. La pompe vibre, est bruyante et fournit un débit irrégulier :
 - 7.1. Débit supérieur au débit nominal de la pompe.
 - 7.2. Pompe ou tuyauterie non assujetties correctement.
 - 7.3. Hauteur d'aspiration excessive.
 - 7.4. Calibre du tuyau d'aspiration trop petit.
 - 7.5. Cavitation produite par une alimentation en liquide insuffisante ou perte d'aspiration excessive.
 - 7.6. Obstruction de la roue.
8. Une fois arrêtée, la pompe tourne lentement dans le sens opposé :
 - 8.1. Déplacement de poches d'air dans le tuyau d'aspiration.
 - 8.2. Obstruction partielle du clapet de non-retour.
9. Lorsqu'elle sert à augmenter la pression, la pompe démarre et s'arrête trop souvent :
 - 9.1. Réglage du manostat (pressostat) non correct.
 - 9.2. Grosseur du réservoir non appropriée.
10. Lorsqu'elle sert à augmenter la pression, la pompe ne s'arrête pas :
 - 10.1. Valeur de réglage maximale du manostat (pressostat) supérieure à la valeur spécifiée.
 - 10.2. Mauvais sens de rotation (v. Sens de rotation).

Composants, modèle SSH-C

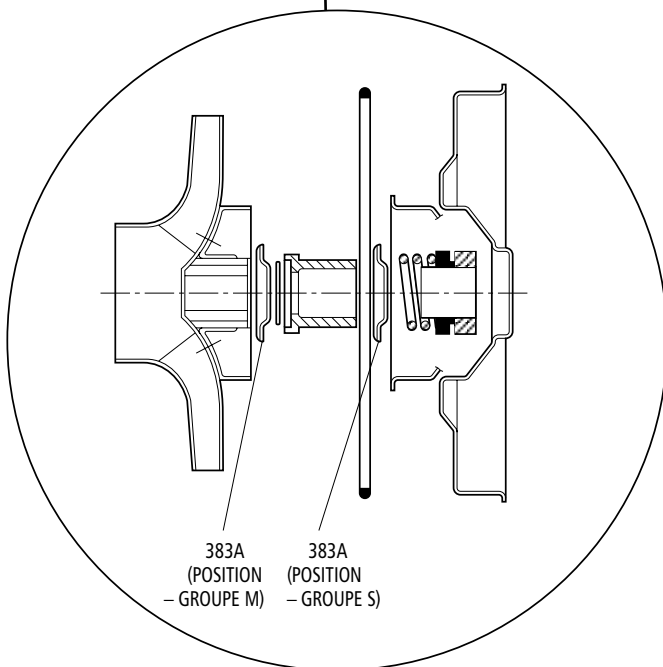


MATÉRIAUX DE FABRICATION

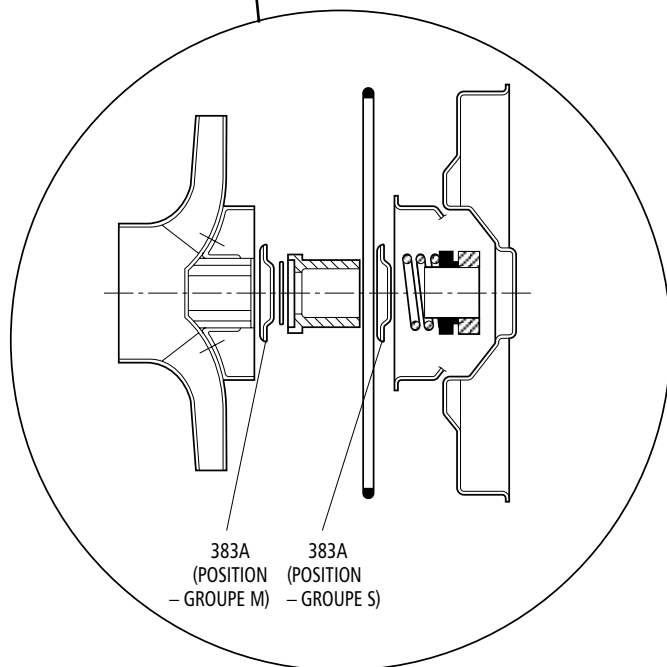
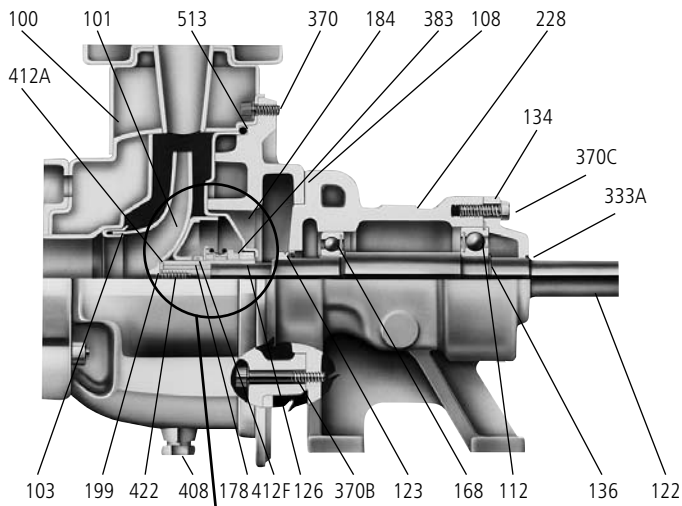
N° d'article	Description	Matériau
100	Corps de pompe	Inox AISI, type 316L
101	Roue	
103	Bague d'usure	
184	Logement de garniture	
370	Vis à chapeau à tête creuse (adaptateur-corps de pompe)	
408	Bouchon de vidange — 3/8 po, NPT	Inox AISI, type 316
126	Chemise d'arbre	316 SS
178	Clavette (roue)	Acier
422	Vis de blocage (roue)	Acier
199	Rondelle de blocage (roue)	316 SS
108	Adaptateur	Fonte ASTM A48, CL20
371	Vis de fixation à tête hexagonale (adaptateur-moteur)	Acier
412A	Joint torique, roue	Buna-N
412F	Joint torique, chemise d'arbre	Buna-N
513	Joint torique	Buna-N
383	Garniture mécanique, pièce n° 10K13	Carbone, céramique Buna Inox 316

GARNITURES MÉCANIQUES EN OPTION

Garnitures mécaniques John Crane, type 21						
N° d'art.	N° de pièce	Élément mobile	Élément fixe	Élastomères	Métal	Service prévu
383 (en option)	10K19	Carbone	Fonte	Éthyl.-propyl.	Inox 316	Hautes tempér.
	10K25		Ni-Resist	Viton		Prod. chimiques
	10K27		Carbure de tungstène	Éthylène-propylène		Hautes tempér. Abrasifs légers



Composants, modèle SSH-F



MATÉRIAUX DE FABRICATION

N° d'article	Description	Matériau	
Organes de pompage	100	Corps de pompe	Inox AISI, type 316L
	101	Roue	
	103	Bague d'usure	
	184	Logement de garniture	
	370	Vis à chapeau à tête creuse	
	408	Bouchon de vidange – 3/8 po, NPT	Inox AISI, type 316
	126	Chemise d'arbre	316 SS
	178	Clavette (roue)	Acier
	422	Vis de blocage (roue)	Acier
	199	Rondelle de blocage (roue)	316 SS
412A	Joint torique, roue	Buna-N	
412F	Joint torique, chemise d'arbre	Buna-N	
513	Joint torique	Buna-N	
383	Garniture mécanique, pièce standard n° 10K13	Carbone, céramique Buna-N Inox 316	
Organes d'entraînement	108	Adaptateur	Fonte ASTM A48, CL20
	228	Corps de palier	
	134	Couvercle de palier	
	122	Arbre de pompe	Acier
	168	Roulement à billes interne	
	112	Roulement à billes externe	
	136	Bague de retenue (roulement)	
	370B	Vis de fixation à tête hexagonale (adaptateur-corps de palier)	
	370C	Vis de fixation à tête hexagonale (couvercle de palier-corps de palier)	
	333A	Joint à lèvres	Buna-N
193	Graisseur	Acier	
123	Défecteur annulaire en V	Buna-N	

GARNITURES MÉCANIQUES EN OPTION

Garnitures mécaniques John Crane, type 21						
N° d'art.	N° de pièce	Élément mobile	Élément fixe	Élastomères	Métal	Service prévu
383 (en option)	10K19	Carbone	Fonte	Éthyl.-propyl.	Inox 316	Hautes tempér.
	10K25		Ni-Resist	Viton		Prod. chimiques
	10K27		Carbure de tungstène	Éthylène-propylène		Hautes tempér. Abrasisifs légers

Declaration of Conformity

We at,
Goulds Pumps/ITT Industries
1 Goulds Drive
Auburn, NY 13021

Declare that the following products: SSH, NPE, MCS, MCC, 3656, 3656 SP, GB, SSV, SVI, NPO, Prime Line SP, HB, HMS, LC, NPV, LB, LBS Comply with Machine Directive 98/37/EC. This equipment is intended to be incorporated with machinery covered by this directive, but must not be put into service until the machinery into which it is to be incorporated has been declared in conformity with the actual provisions of the directive.

Declaración de Conformidad

Nosotros en
Goulds Pumps/ITT Industries
1 Goulds Drive
Auburn, NY 13021

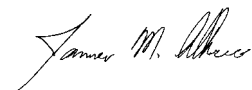
Declaramos que los siguientes productos: SSH, NPE, MCS, MCC, 3656, 3656 SP, GB, SSV, SVI, NPO, Prime Line SP, HB, HMS, LC, NPV, LB, LBS cumplen con las Directivas para Maquinarias 98/37/EC. Este equipo ha sido diseñado para ser incorporado a la maquinaria cubierta por esta directiva pero no debe ponerse en funcionamiento hasta que se declare que la maquinaria en la que será incorporado cumple con las disposiciones reales de la directiva.

Déclaration de conformité

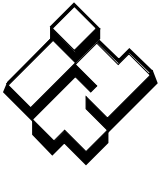
Nous, à
Goulds Pumps, ITT Industries
1 Goulds Drive
Auburn, NY, U.S.A. 13021,

déclarons que les produits SSH, NPE, MCS, MCC, 3656, 3656 SP, GB, SSV, SVI, NPO, Prime Line SP, HB, HMS, LC, NPV, LB et LBS sont conformes à la directive 98/37/CE (législation relative aux machines). Ils sont destinés à être intégrés dans la machinerie faisant l'objet de ladite directive, mais ne doivent pas être mis en service tant que la machinerie en question ne sera pas déclarée conforme aux stipulations de la directive.

Le directeur des produits,



James M. Allocco
Product Manager



ITT

Systèmes d'alimentation en eau commerciaux

GARANTIE LIMITÉE DE GOULDS PUMPS

La présente garantie s'applique à chaque pompe de système d'alimentation en eau fabriquée par Goulds Pumps.

Toute pièce se révélant défectueuse sera remplacée sans frais pour le détaillant durant la période de garantie suivante expirant la première : douze (12) mois à compter de la date d'installation ou dix-huit (18) mois à partir de la date de fabrication.

Le détaillant qui, aux termes de cette garantie, désire effectuer une demande de règlement doit s'adresser au distributeur Goulds Pumps agréé chez lequel la pompe a été achetée et fournir tous les détails à l'appui de sa demande. Le distributeur est autorisé à régler toute demande par le biais du service à la clientèle de Goulds Pumps.

La garantie ne couvre pas :

- a) les frais de main-d'œuvre ou de transport ni les frais connexes encourus par le détaillant ;
- b) les frais de réinstallation de l'équipement réparé ;
- c) les frais de réinstallation de l'équipement de remplacement ;
- d) les dommages indirects de quelque nature que ce soit ;
- e) ni les pertes découlant de la panne.

Aux fins de la présente garantie, les termes ci-dessous sont définis comme suit :

- 1) « Distributeur » signifie une personne, une société de personnes, une société de capitaux, une association ou autre entité juridique servant d'intermédiaire entre Goulds Pumps et le détaillant pour les achats, les consignations ou les contrats de vente des pompes en question.
- 2) « Détaillant » veut dire une personne, une société de personnes, une société de capitaux, une association ou autre entité juridique dont les activités commerciales sont la vente ou la location de pompes à des clients.
- 3) « Client » signifie une entité qui achète ou loue les pompes en question chez un détaillant. Un « client » peut être une personne, une société de personnes, une société de capitaux, une société à responsabilité limitée, une association ou autre entité juridique se livrant à quelque activité que ce soit.

CETTE GARANTIE SE RAPPORTE AU DÉTAILLANT SEULEMENT.



Goulds Pumps et le logo à blocs siglés ITT sont des marques déposées et de commerce d'ITT Industries.

LES CARACTÉRISTIQUES PEUVENT CHANGER SANS PRÉAVIS.

IM084R03 Mars, 2006

© 2006, ITT Water Technology, Inc.

Engineered for life

Free Manuals Download Website

<http://myh66.com>

<http://usermanuals.us>

<http://www.somanuals.com>

<http://www.4manuals.cc>

<http://www.manual-lib.com>

<http://www.404manual.com>

<http://www.luxmanual.com>

<http://aubethermostatmanual.com>

Golf course search by state

<http://golfingnear.com>

Email search by domain

<http://emailbydomain.com>

Auto manuals search

<http://auto.somanuals.com>

TV manuals search

<http://tv.somanuals.com>