

IRONMAN[®] Fitness 320t

Owner's Manual IRONMAN 320t TREADMILL

Customer Service

1.800.750.4766

Ironman Fitness

4009 Distribution Drive
Suite 250
Garland, TX 75041

www.ironmanfitness.com



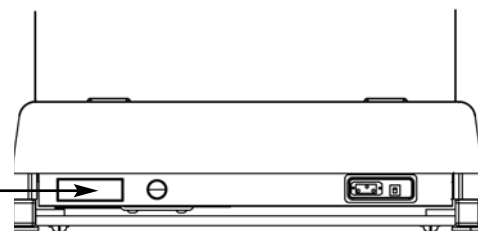
Model Name : 320t

Serial Number :

Purchase Date :

Write down for future reference

Serial Number Decal Location



415-00008
04/05 Rev F

IRONMAN[®]
Fitness

Table of Contents



Important Safety Information	3
Before You Start	4
Assembly	5-9
Warm Up Exercises	10
Moving Instructions	11
Power Requirements	12
Console Panel Functions	13
Program and Operation	14-15
Program Profiles	16
Program Instructions: Heart Rate Mode	17-18
Belt Adjustment	19
Change to MPH or KPH	20
Maintenance Instructions	21-22
Troubleshooting Guide	23
Error Messages	24
Calibration Sequence	25
Parts List	26-27
Exploded View	28-29
Warranty Information	30

Important Safety Information



WARNING! Before using this treadmill or starting any exercise program, consult your physician. This is especially important for persons over the age of 35 and/or persons with pre-existing health problems. The manufacturer or distributor assumes no responsibility for personal injury or property damage sustained by or through the use of this product.

WARNING! To reduce the risk of electrical shock, burns, fire, or other possible injuries to the user, it is important to review this manual and the following precautions **before** operation.

SAFETY PRECAUTIONS AND TIPS

1. It is the owner's responsibility to ensure that all users of this treadmill have read the Owner's Manual and are familiar with warnings and safety precautions.
2. This treadmill has a user maximum capacity of **350** pounds.
3. The treadmill should only be used on a level surface and is intended for indoor use only. The treadmill should not be placed in a garage, patio, or near water and should never be used while you are wet. Ironman recommends a treadmill mat be placed under the treadmill to protect floor or carpet and for easier cleaning.
4. Follow safety information in regards to plugging in your treadmill. Keep the power cord away from the incline wheels and do not run the power cord underneath your treadmill. Do not operate the treadmill with a damaged or frayed power cord.
5. Wear comfortable, good-quality walking or running shoes and appropriate clothing. Do not use the treadmill with bare feet, sandals, socks or stockings.
6. Always straddle the belt and allow it to start moving before stepping onto the belt.
7. Hold on to handrail when adjusting speed, incline, or other controls.
8. Always examine your treadmill before using to ensure all parts are in working order.
9. Allow the belt to fully stop before dismounting.
10. Pets should never be allowed near or on the treadmill.
11. Do not leave children unsupervised near or on the treadmill.
12. Never operate the treadmill where oxygen is being administered, or where aerosol products are being used.
13. Never insert any object or body parts into any opening.
14. For safety and to prevent damage to your treadmill, no more than one person should use the treadmill at a time.
15. Always unplug the treadmill before cleaning and/or servicing. Service to your treadmill should only be performed by an authorized service representative, unless authorized and/or instructed by the manufacturer.
16. Failure to follow these instructions will void the treadmill warranty.
17. Never leave the treadmill unattended while it is running.

Before You Start



Thank you for purchasing the **IRONMAN 320t TREADMILL!** This quality product you have chosen was designed to meet your needs for cardiovascular exercise. Before you start, please read the Owner's Manual and become familiar with the operation of your new treadmill.

Remember to take the time to perform the stretching exercises provided to avoid injury.

Do not stand on the walking belt while pressing the Power button or Start/Stop button.

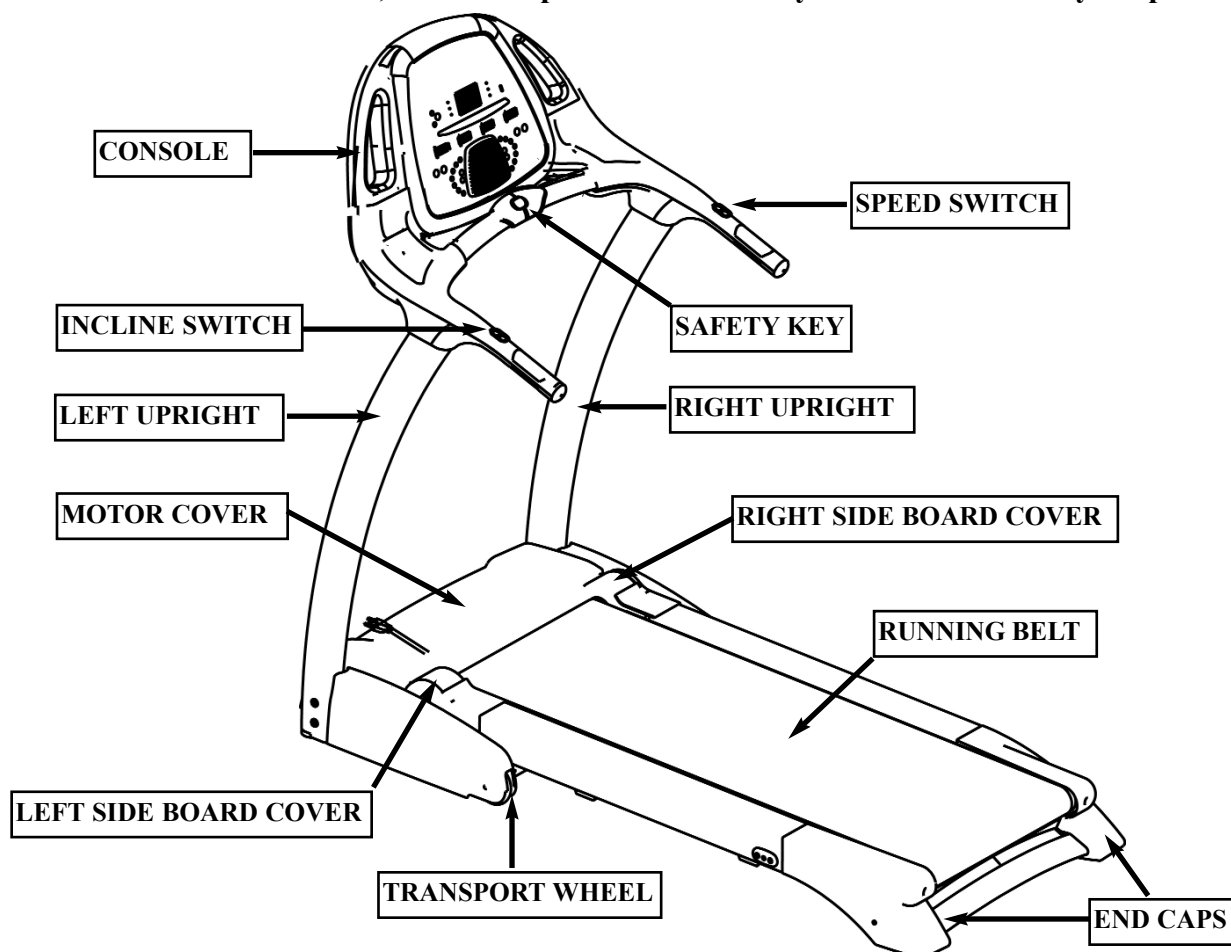
Always adjust the speed of the treadmill in small increments as this treadmill is capable of high speeds.

If you are taking medication, consult your physician to see if the medication will affect your exercise heart rate.

If you have heart problems, you are not active, and/or are over the age of 35 years, do not use the pre-set treadmill programs or start an exercise program without first contacting and receiving approval from your physician.

To avoid the risk of electrical shock, always keep the console dry. Do not spill liquids on the console. Ironman Fitness recommends a sealed water bottle for beverages consumed while using the treadmill.

Please review the following drawing below to familiarize yourself with the listed parts. This manual covers several treadmills, so the one pictured below may not be identical to your particular model.



The **IRONMAN 320t TREADMILL** will require assembly before operating. After opening the box, remove any packing material from the treadmill.

Do not throw away any packing materials until the unit is working properly.

Place the base on a clean, level surface. Make sure the electrical cord will easily reach an electrical outlet.

Locate the hardware pack and identify the following parts required for assembly.

Tools:

1. Allen Wrench- 3/16"
2. Allen Wrench- 7/32"
3. Philip Screwdriver

Main Components:

1. Owner's Manual
2. Console Assembly
3. Left and Right Uprights
4. Left and Right Fender
5. Left and Right Bottom Handle Cover
6. Handle End Caps
7. Deck Assembly
8. Long Bumpers
9. Chest Strap

Hardware:

1. Washer 9*22*2 mm (Large) (Qty. 4)
2. Washer 9*16*1.6 mm (Small) (Qty. 8)
3. Spring Washer 8 mm (Qty. 12)
4. Allen Bolt 5/16"-18 x 70 (Long) (Qty. 4)
5. Allen Bolt 5/16"-18 x 15 (Short) (Qty. 6)
6. Shoulder Allen Bolt 5/16"-18 x 45 (Qty. 2)
7. Philip Screw ST4.2*16 (Qty. 8)

Wire Connections:

1. Console Harness
2. EKG Harness

Assembly requires the included allen wrench and phillips screwdriver.

Do not plug in the power cord until all assembly steps are completed.

1. With the treadmill deck in the down position, leave the unit on the original packing material to assemble all parts.

2. Connect the console harness together. One side of harness is located near the motor cover on the bottom left side. The other end is located inside the Left Upright assembly. See Figure 1 and 2.

3. Pull the wiring harness from top of upright tube making sure harness connectors are pulled into large hole at bottom of upright.

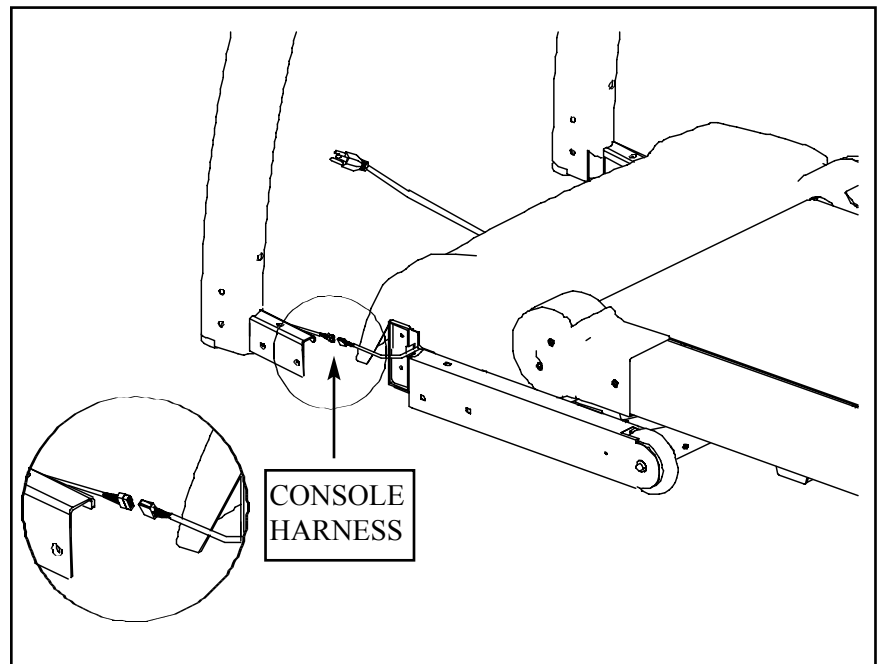


Figure 1: Console Harness Location

Caution:

Make sure harness is installed inside the upright and pay attention not to pinch the wire harness.

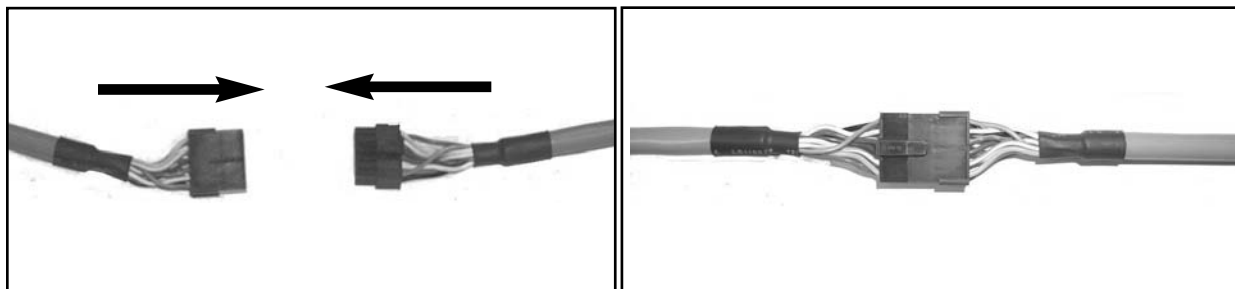


Figure 2: Console Harness Connection

Assembly

4. Install the Left and Right Uprights to the treadmill base frame by inserting the upright connecting bracket into base frame as seen in Figure 3, using Allen Bolt 5/16"-18 x 70 (Qty. 4), Spring Washer 8 mm (Qty. 4), and Washer 9*16*1.6 mm (Qty. 4).

Next, install the Allen Bolt 5/16"-18 x 15 (Qty. 6), Spring Washer 8 mm (Qty. 6), and Washer 9*16*1.6 mm (Qty. 6). Refer to Figure 3.

Note: Do not tighten hardware in step 3 until step 5 is completed.

IMPORTANT, PLEASE NOTE:

While sliding the upright connecting bracket into the base frame, make sure the harness is installed inside the upright and pay attention not to pinch the wire harness. Excess Console Harness wiring should be placed inside the Left Upright.

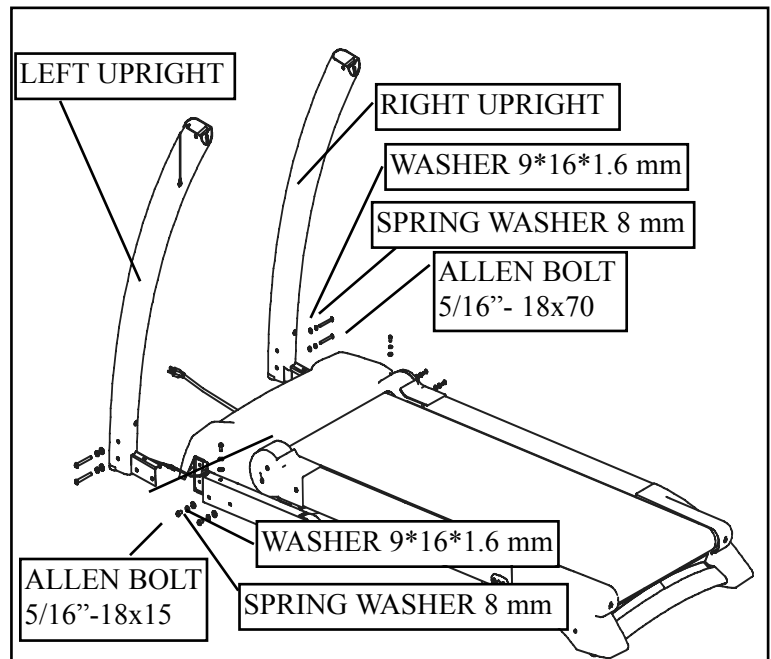


Figure 3: Left and Right Upright Installation

5. Connect the Console Harness together as shown in Figure 4A.

Note: The upright console harness wire should be inserted through grommet in left upright before connecting to harness from console assembly.

6. Connect the Console to the Left and Right Uprights by sliding the Console connecting brackets into the end of the Left and Right Uprights as shown in Figure 4. Tighten into place using 5/16"-18x45 Shoulder Allen Bolt (Qty. 2), Spring Washer 8 mm (Qty. 2), and Washer 9*16*1.6 mm (Qty. 2).

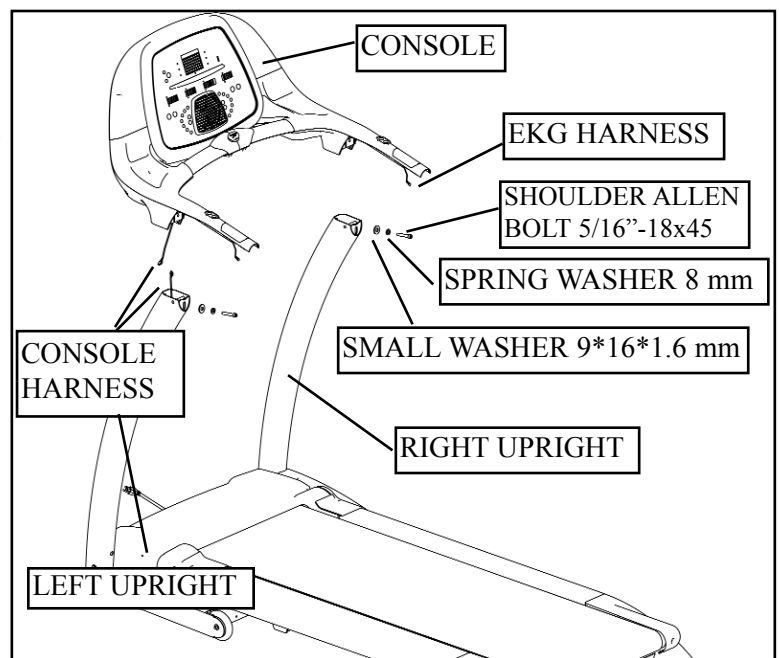
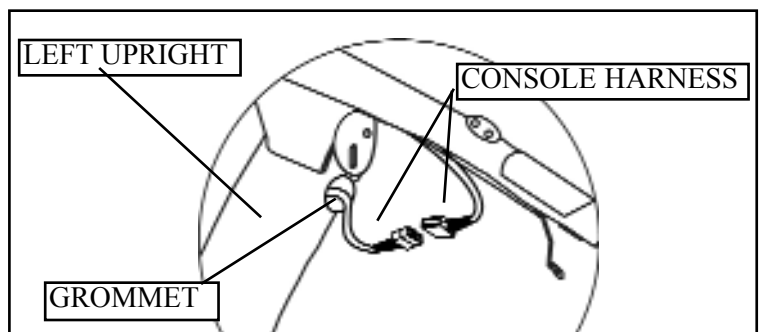


Figure 4: Console Installation

IMPORTANT, PLEASE NOTE:

While connecting the Console to the Left and Right Uprights pay attention not to pinch the wire harness.



7. Position the Left and Right Bottom Handle Covers to underside of handle assembly, then connect the EKG Harness Wires to the Left and Right Bottom Handle Pulse Plates as shown in Figure 5.

Tighten into place using Philip Screw ST4.2X16 (Qty. 6).

Next, install the End Caps to the handle assembly.

IMPORTANT, PLEASE NOTE:

Tighten all hardware installed in Step 1 through Step 5.

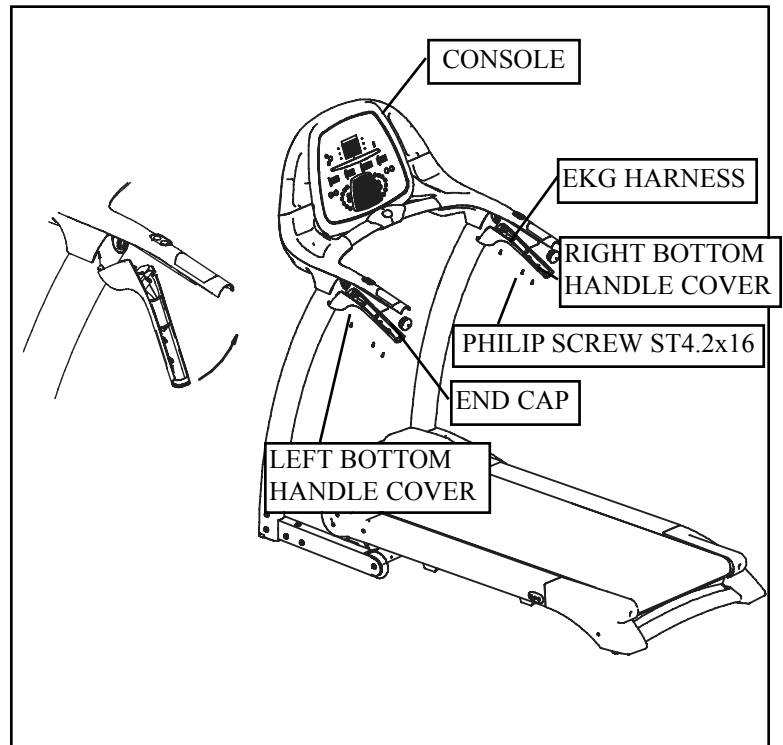


Figure 5: Left and Right Bottom Handle Cover Installation

8. Fold the treadmill into the storage position and lock into place as shown in Figure 6.

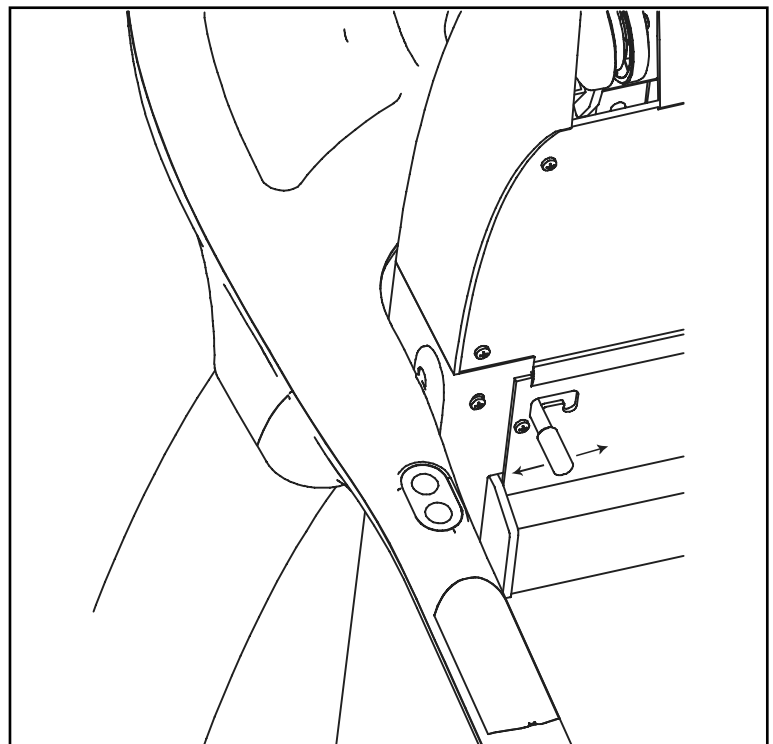


Figure 6: Storage Position Locking Method

9. Remove the two Long Bumpers from base of treadmill as shown in Figure 7a. Install the Left and Right Fender to Base using Philip Screw ST4.2X16 as shown in Figure 7b. Reinstall both Long Bumpers.

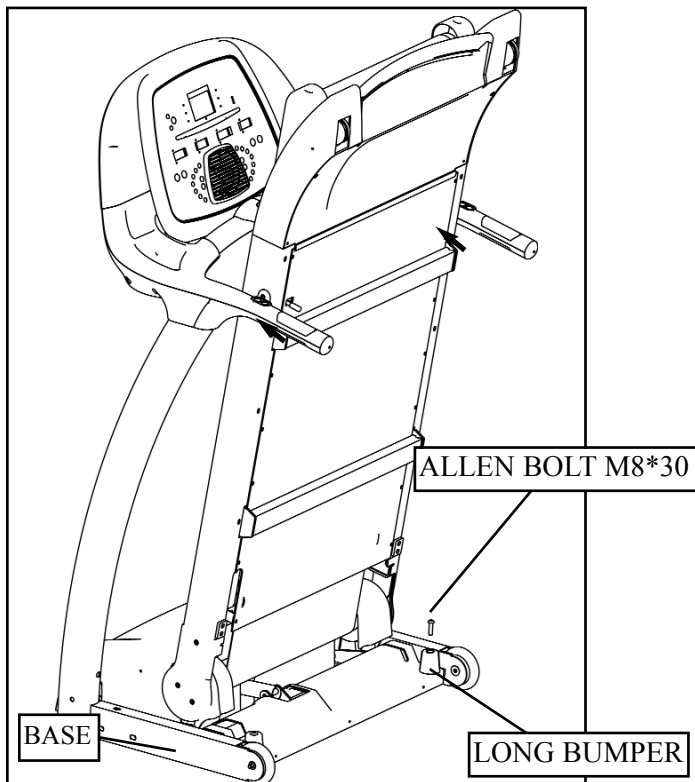


Figure 7a: Long Bumper Removal

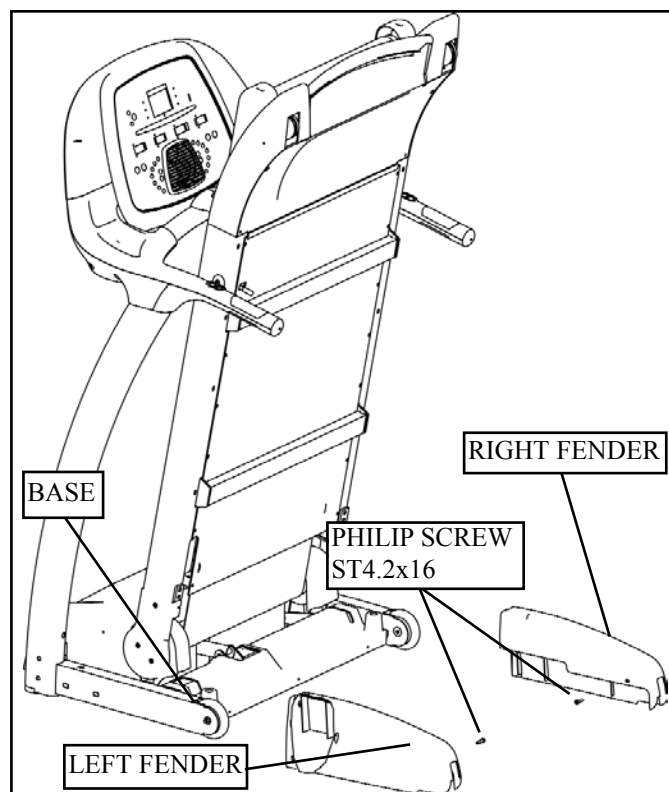


Figure 7b: Left and Right Fender Installation

Congratulations!

You have completed the assembly of your new Ironman 320t Treadmill!

EXERCISE GUIDELINES

WARNING! Before beginning this or any exercise program, you should consult your physician. This is especially important for individuals over the age of 35 or individuals with pre-existing health problems.

Warming up prepares the body for the exercise by increasing circulation, supplying more oxygen to the muscles and raising body temperature. Begin each workout with 5 to 10 minutes of stretching and light exercise to warm up. The photos on this page show several forms of basic stretching you may perform before your workouts. In order to achieve an adequate warm-up, perform each stretch three times.

TOE TOUCH STRETCH

Stand, bending your knees slightly and slowly bend forward from your hips. Allow your back and shoulders to relax as you reach down toward your toes as far as possible. Hold for 15 counts, then relax. This will stretch your hamstrings, back of knees, and back.



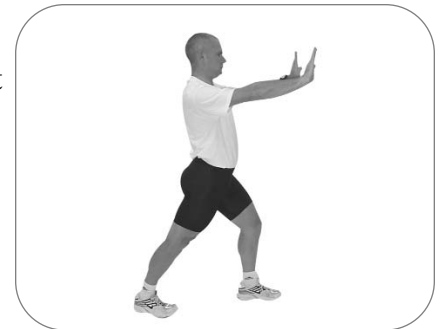
HAMSTRING STRETCH

Sit with one leg extended. Bring the sole of the opposite foot toward you and rest it against the inner thigh of your extended leg. Reach toward your toes as far as possible. Hold for 15 counts, then relax. This will stretch your hamstrings, lower back, and groin.



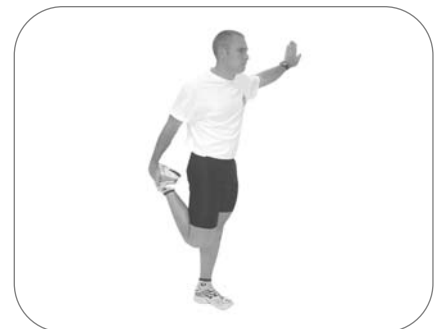
CALF/ACHILLES STRETCH

With one leg in front of the other, reach forward and place your hands against a wall. Keep your back leg straight and your back foot flat on the floor. Bend your front leg, lean forward and move your hips toward the wall. Hold for 15 counts, then relax. To cause further stretching of the Achilles tendon, bend your back leg as well. This will stretch your calves, Achilles tendons, and ankles.



QUADRICEPS STRETCH

With one hand against a wall for balance, reach back and grasp one foot with your other hand. Bring your heel as close to your buttocks as possible. Hold for 15 counts, then relax. This will stretch your quadriceps and hip muscles.



INNER THIGH STRETCH

Sit with the soles of your feet together and your knees outward. Pull your feet toward your groin area as far as possible. Hold for 15 counts, then relax. This will stretch your quadriceps and hip muscles.

Moving Instructions

CAUTION! TO AVOID THE RISK OF INJURY, NEVER ATTEMPT TO MOVE THE TREADMILL WHILE IT IS IN THE UNFOLDED OPERATING POSITION. TO REDUCE THE POSSIBILITY OF INJURY WHILE LIFTING, BEND YOUR LEGS AND KEEP YOUR BACK STRAIGHT. AS YOU RAISE THE TREADMILL, LIFT USING YOUR LEGS, NOT YOUR BACK. IN ORDER TO RAISE OR LOWER THE TREADMILL SAFELY, YOU MUST BE ABLE TO LIFT 45 POUNDS (20KG). IT IS SUGGESTED YOU ALWAYS USE THE AID OF A SECOND PERSON WHEN MOVING THE TREADMILL.

With the treadmill in the folded locked position (safety latch is engaged), grasp the handrail and place one foot on the center of the base crossbar as shown in the photo below. Next, with a firm grasp on the handrail, carefully tilt the treadmill back until it rolls freely on the wheels. Using extreme caution, move the treadmill to the desired location. To set the treadmill down, place one foot on the center of the base crossbar and carefully lower treadmill onto base in resting position. Do not attempt to move the treadmill over an uneven or rough surface.

Note: The treadmill pictured below may not be identical to your particular model.



Power Requirements

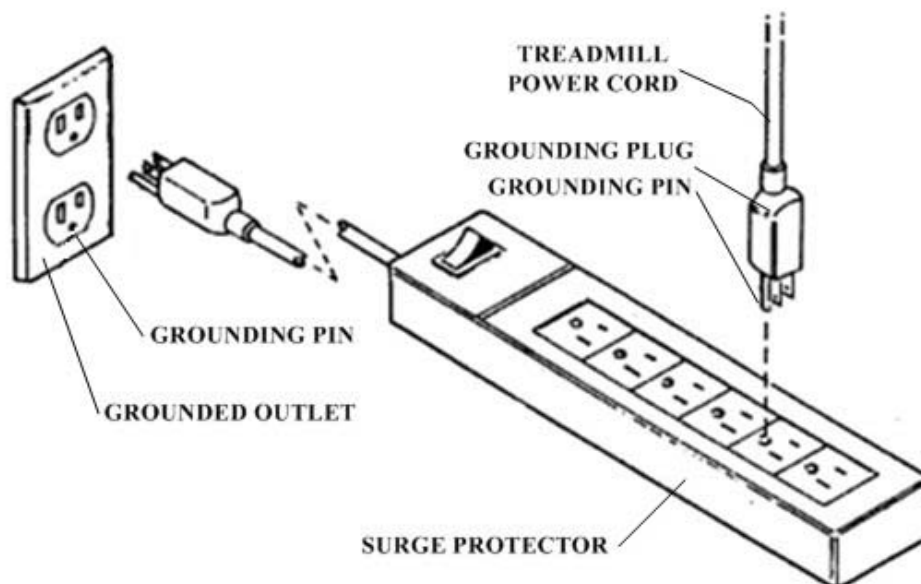
IMPROPER CONNECTION OF THE EQUIPMENT GROUNDING CONNECTOR CAN RESULT IN A RISK OF AN ELECTRIC SHOCK. CHECK WITH A QUALIFIED ELECTRICIAN OR SERVICE MAN IF YOU ARE IN DOUBT AS TO WHETHER THE PRODUCT IS PROPERLY GROUNDED. DO NOT MODIFY THE PLUG PROVIDED WITH THE PRODUCT. IF PLUG WILL NOT FIT THE OUTLET, HAVE A PROPER OUTLET INSTALLED BY A QUALIFIED ELECTRICIAN.

This treadmill can be seriously damaged by sudden voltage changes in your home's electrical power. Voltage spikes, surges, and noise interference can result from weather conditions or from other appliances being turned on or off. To reduce the possibility of treadmill damage, always use a dedicated **surge protector** (not included) with your treadmill.

Surge protectors can be purchased at most hardware stores. The manufacturer recommends a single outlet surge protector with UL 1449 rating as a Transient Voltage Surge Suppressor (TVSS) with UL suppressed voltage rating of 400V or less and an electrical rating of 120VAC, 15 amps.

This treadmill must be grounded to reduce the risk of electrical shock. Grounding provides a path of least resistance for electric current should the treadmill malfunction. This treadmill comes with an electrical cord with an equipment-grounding conductor and a grounding plug. Always plug the power cord into a surge protector, and plug the surge protector into an appropriate outlet that is properly installed and grounded in accordance with all local codes and ordinances. Do not connect other equipment to the surge protector or this could cause permanent damage to your treadmill.

This product is for use on a nominal 120-volt circuit and has a grounding plug that looks like the plug illustrated in the drawing below.



Console Panel Functions



There are five display windows on the control panel to provide feedback information.

INCLINE / PULSE WINDOW

INCLINE: Indicates incline in percent of grade 0-10% in 0.5 increments.

CALORIES / DISTANCE WINDOW

DISTANCE: Indicates Miles or Kilometers traveled in .01 increments up to 9.99 and .1 increments starting at 10.0

CALORIES: Indicates estimated calories used based on 150 lb. person at the indicated speed, incline, and time

TIME / PACE WINDOW

TIME: Indicates elapsed time after pressing start in minutes and seconds (0-99 minutes, 0-59 seconds)

PACE: Indicates countdown in seconds to the next interval starting at 5 seconds and counting to 0 seconds.

SPEED WINDOW

SPEED: Indicates MPH (miles per hour) or KPH (kilometer per hour) in .1 increments.

CENTER BRICKYARD WINDOW

Displays quarter mile track in Manual mode. Indicates position on track by a blink. In program mode, shows the change in speed profile across the interval range (1-10) and shows position with a blinking action.

In Program mode, the treadmill will display the name of the program selected. This is shown on the left hand side of the window. In Manual mode, the LAP counter will appear in the top center of the window, counting each 1/4 mile lap in sequence of completion (1, 2, 3, etc.).

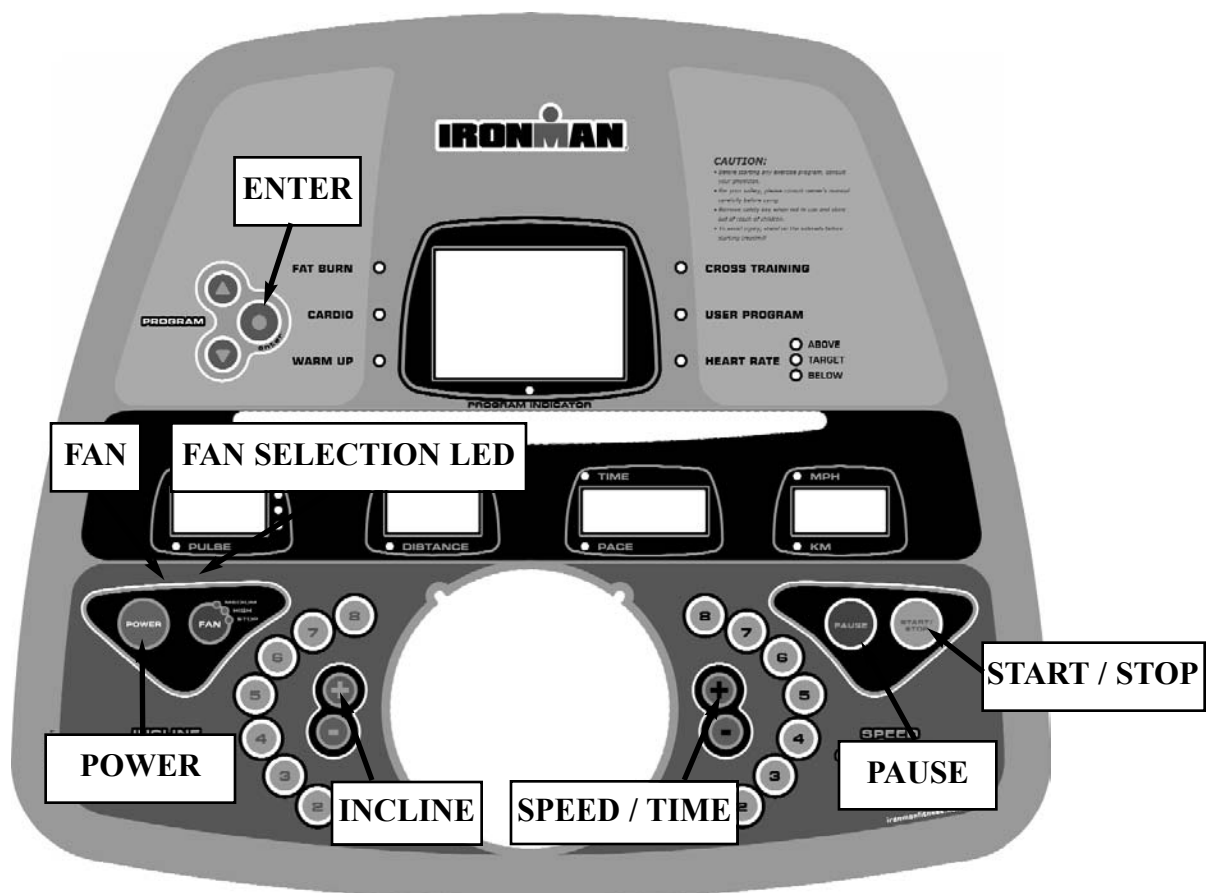


QUICK START / MANUAL MODE

1. Plug into a surge protector outlet. Attach the **Safety Key** on to the treadmill console.
2. Stand on the treadmill and straddle belt. Attach safety key clip to your clothes.
3. Press **POWER** button. There will be an eight (8) second delay after pressing the **POWER** button before data can be entered. The **TIME** window will flash.
4. Press **START/STOP** button. Belt will begin to move after 4 seconds. Step on belt slowly after the belt starts moving. Speed or Incline may be adjusted by using the appropriate + (increase) or – (decrease) button.
5. To end your workout, press **START/STOP** button. Belt will gradually slow to zero.
6. To pause your workout, press **PAUSE**.
7. To re-start after pausing: Press the **PAUSE** button. **WARNING: THE TREADMILL BELT WILL RESUME AT THE SPEED THE TREADMILL WAS MOVING BEFORE PAUSING.**
8. Countdown Time, Preset Speed and/or Incline: Time, Speed, and Incline may be preset prior to getting started. First, press the **POWER** button, then press the **ENTER** button, the time window will blink. Use the **SPEED +** or **-** buttons to select your workout time, then press the **ENTER** button. The **SPEED** window will now be flashing. Using the same buttons, select the speed for your workout, then press **ENTER**. Now the **INCLINE** window will be flashing. Use the **INCLINE +** or **-** buttons to set your workout incline, then press **ENTER**. To start, press the **START/STOP** button.

USING THE FAN

There are 3 different fan speeds to choose from **MEDIUM**, **HIGH**, and **STOP**. To set the desired fan speed press the **FAN** button.



Program and Operation



PROGRAM MODE

Plug treadmill into a surge protector outlet. Attach the Safety Key on to the treadmill console.

1. Stand on the treadmill and straddle belt. Attach safety key clip to your clothes.
2. Press POWER button. There will be an eight (8) second delay before data can be entered. The TIME window will flash.
3. There are four (4) pre-set and eight (8) semi-custom pre-set programs on the **Ironman TRIAD**. The treadmill includes FAT BURN, CARDIO, WARM-UP, and CROSS TRAINING programs. Press the PROGRAM UP or DOWN button to select which program you wish to use. Press ENTER.
4. Press START/STOP button. Belt will begin to move after 4 seconds. Step on belt slowly after the belt starts moving.

CUSTOMIZING PROGRAMS in P1 and P2 Mode:

Each pre-set program (Fat Burn, Cardio, and Warm-up) can be customized in the P1 or P2 mode. After making the program selection, the CAL / DIST window will read "OP". The "OP" refers to "original program" and is preset.

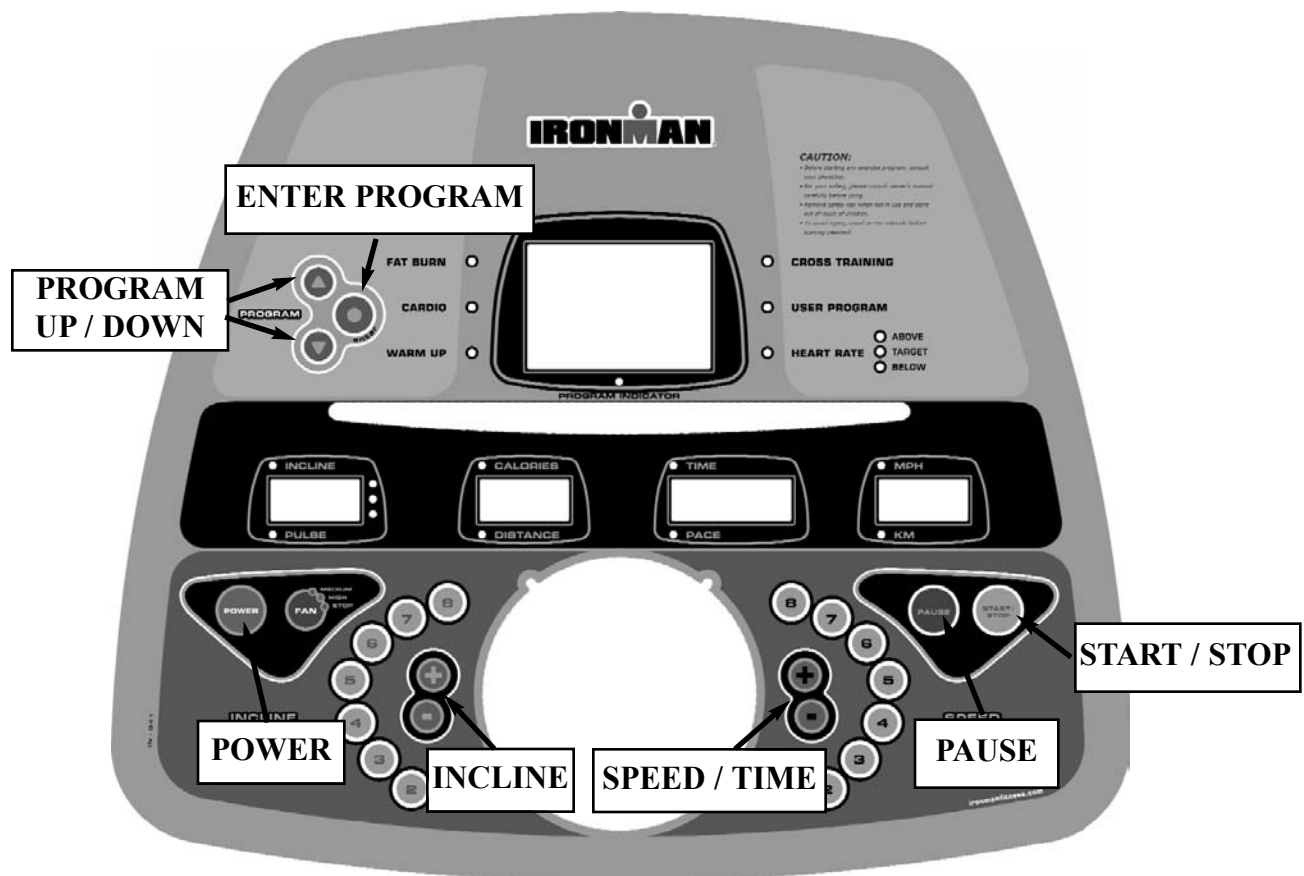
The program name you select will illuminate on the console display. Press the PROGRAM DOWN button once more and the CAL / DIST window will read P1. The "P1" mode is now accessed. You can now program the Time, Speed, and Incline in P1 mode, which will be saved for future workouts.

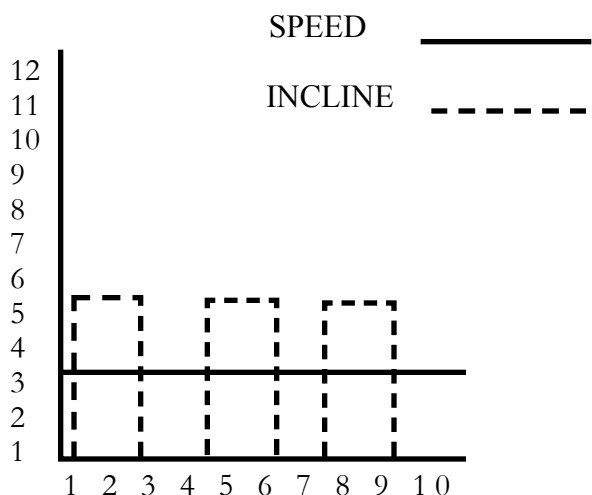
- 1) The TIME window will blink. Use the SPEED + or - buttons to select your workout time. Press ENTER PROGRAM.
- 2) The SPEED window will then blink. Use the same + or - buttons to select the speed for your workout. Press ENTER PROGRAM.
- 3) The INCLINE window will then blink. Use the INCLINE + or - buttons to set your workout incline. Press ENTER PROGRAM.

To start, press the START/STOP button. To access P2 mode, press the PROGRAM UP or DOWN button for desired program, then press the ENTER button (once for OP, twice for P1, three times for P2). Follow the above steps 1-3 to customize P2 settings.

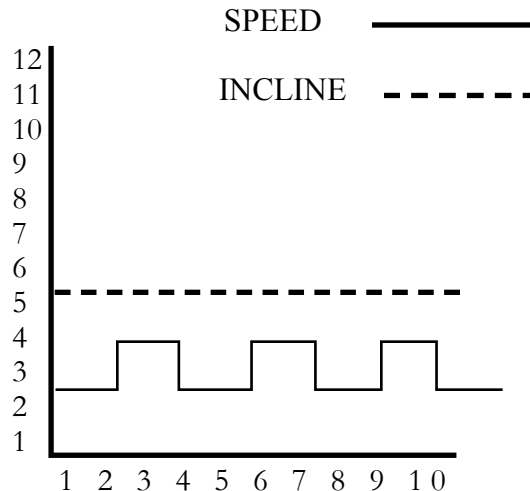
TO CHANGE A PREVIOUSLY PROGRAMMED P1, P2, or user program:

Once you have programmed the P1 or P2 modes, you will need to use the PAUSE button to change the program you previously entered. For instance to change to a new setting in P1-FAT BURN, press the PROGRAM UP or DOWN to select the FAT BURN program. Next, press the same button once more to access P1. Then press the PAUSE button to get the TIME window to flash. Follow the directions above to continue to change the program.

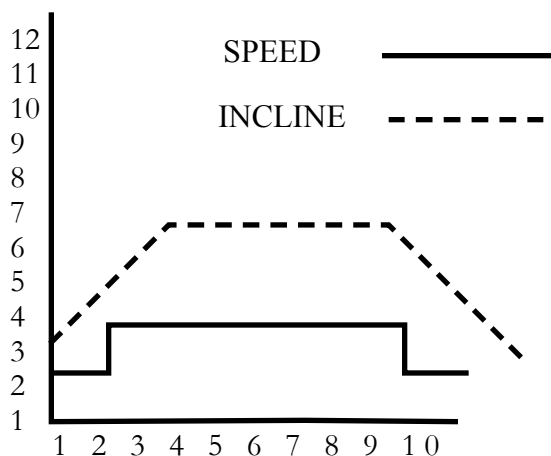




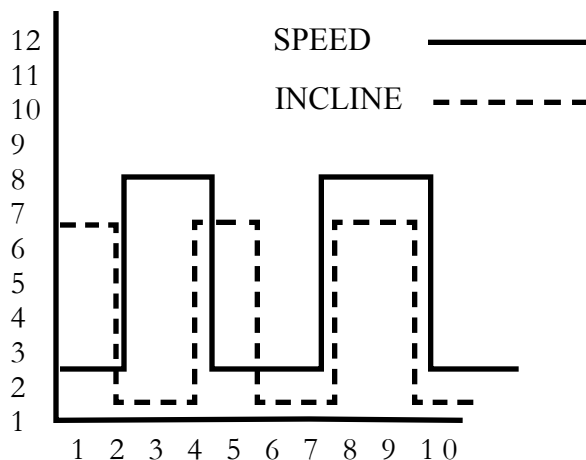
The **Fat Burn Program** is designed to vary the treadmill elevation, while maintaining a constant walking belt speed.



The **Cardio Program** is designed to vary the treadmill Speed, while maintaining a constant Elevation.



The **Warm Up Program** is designed to gradually increase the treadmill Speed and Elevation in the first segment (warm up) and gradually decrease the treadmill Speed and Elevation in the last segment (cool down). This is also known as a Plateau program.



The **Cross Training Program** is designed to control the walking belt speed and elevation inversely in alternating segments.

HEART RATE MONITOR MODE

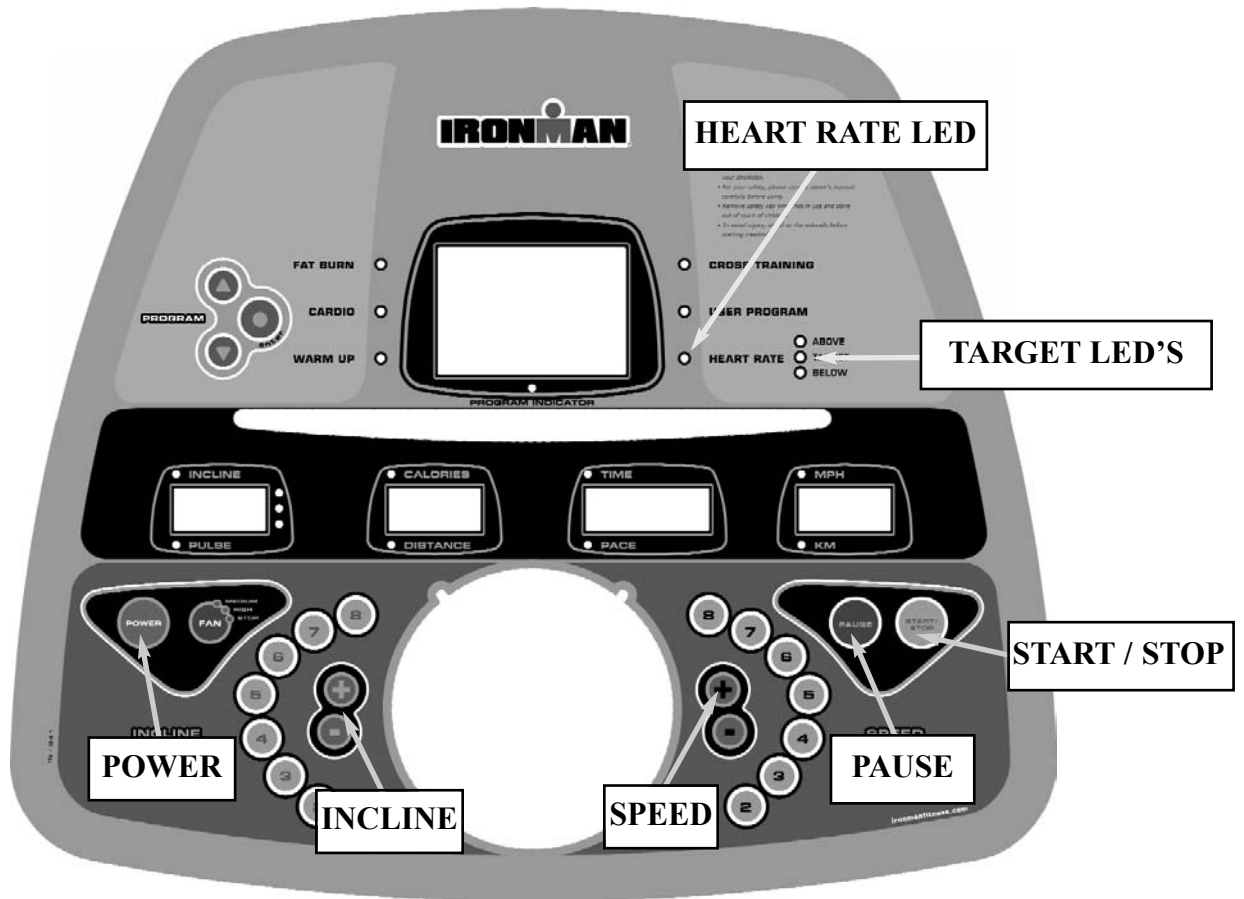
The treadmill may at any time be used in the Heart Rate Monitor Mode. If the signal from the chest strap is detected, heart rate BPM will be displayed in the INCLINE window. The incline will only be briefly displayed if manual or program changes are initiated. The Heart Rate program is designed to keep your heart at a desired amount of “beats per minute” by automatically adjusting the incline. For example, you have programmed in a desired heart rate of 125 BPM and your heart rate is only at 110 BPM. If you are wearing the Heart Rate Transmitter, correctly the incline will automatically increase to intensify the work load, causing your heart rate to slowly climb to 125 BPM. The treadmill will attempt to maintain your target heart rate through adjustments to the incline for the remainder of your workout. In the same respect, if your heart rate is above your programmed amount of BPM's, the incline will automatically decrease to lower your heart rate. You may at any time during the Heart Rate Program adjust/override the speed and/or the incline by simply pressing the correct corresponding button. You may also change your “Target Heart Rate” at any time by pressing the PROGRAM UP or PROGRAM DOWN button.

HEART RATE PROGRAM OPERATION

1. Plug treadmill into a surge protector outlet. Attach the Red Safety Key on to the treadmill console.
2. Stand on the treadmill and straddle belt. Attach safety key clip to your clothes.
3. Press POWER button. Place the Heart Rate Transmitter strap across your chest and connect ends. (Make sure your skin is moist and the strap is snug for accurate transmission). At this time, if the display is receiving a signal from the chest strap, the incline window will begin to settle on your current heart rate.
4. Press the PROGRAM UP button until the HEART RATE LED is on. The incline window will momentarily flash ‘125’, which is the default program target heart rate.
5. The TIME/PACE window will blink. Use the + or - arrows to select your workout time. Press ENTER PROGRAM.
6. The SPEED window will then blink. Use the + or - arrows to select the speed for your workout. Press ENTER PROGRAM.
7. The incline window (if receiving your heart rate accurately) will show current BPM, and the small red light labeled PULSE adjacent to the incline window, will be illuminated. (If the receiver is not receiving an accurate reading, the incline window will be flashing - - -).
8. To adjust the pre-set target heart rate press the PROGRAM UP or PROGRAM DOWN button then press the ENTER PROGRAM button.
9. Press START/STOP button. Belt will begin to move after 4 seconds. Step on belt slowly after the belt starts moving.
10. Press START/STOP button. Belt will begin to move after 4 seconds. Step on belt slowly after the belt starts moving.

The small light on the console labeled TARGET will be illuminated if you are at your target. If you are not, the ABOVE or BELOW lights will illuminate and reflect if you are above or below your goal. If you are not within 25 BPM of your “Target heart rate” the program will not work. DO NOT STOP TO START OVER. Continue exercising and your heart rate will naturally increase. The program will continually monitor your heart rate and periodically adjust the incline up or down to increase or decrease the resistance thereby keeping you at your target zone. At the conclusion of the programmed time the TIME window will flash 00:00 and the CALORIES/DISTANCE window will continue to accumulate values. The treadmill will continue operation until the START/STOP button or the PAUSE button is pressed. Press the POWER button to turn off the treadmill.

Program Instructions: Heart Rate Mode



Belt Adjustment

WARNING! Do not over-tighten rollers! This will cause premature roller bearing failure!

Belt adjustment and tension performs two functions: adjustment for tension and centering. Your new treadmill comes pre-adjusted from the factory for tension and centering. Please follow the procedures below if the belt shifts to the left or right while walking:

WALKING BELT IS SHIFTING TO THE LEFT (Diagram 1)

First, turn treadmill on to run at 1 mph. Using the hex key provided, turn the left rear roller adjustment bolt $\frac{1}{4}$ turn in the clockwise direction. Next, run the treadmill at 2.5 mph. You should see the belt start to correct itself by moving back toward the center. Repeat the above procedure until the walking belt is centered. It may be necessary to set walking belt tension once you have completed this procedure if the belt feels like it is slipping while walking. Refer below to the “Walking Belt Slipping” instructions.

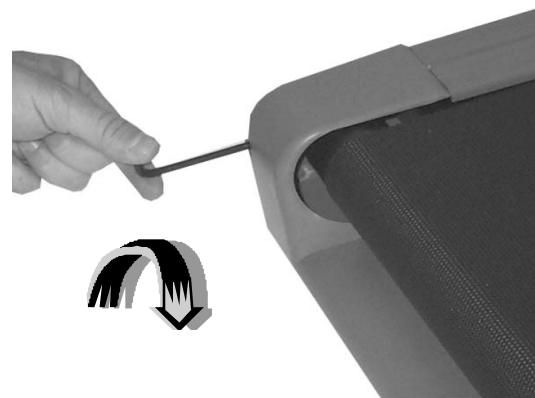


Diagram 1

WALKING BELT IS SHIFTING TO THE RIGHT (Diagram 2)

First, turn the treadmill on to run at 1 mph. Using the hex key provided, turn the right rear roller adjustment bolt $\frac{1}{4}$ turn in the clockwise direction. Next, run the treadmill at 2.5 mph. You should see the belt start to correct itself, moving back toward the center. Repeat the above procedure until the walking belt is centered. It may be necessary to set walking belt tension once you have completed this procedure if the belt feels like it is slipping while walking. Refer below to the “Walking Belt Slipping” instructions.



Diagram 2

WALKING BELT IS SLIPPING DURING USE (Diagram 3)

First, unplug the power cord from the surge protector. Using the hex key provided, turn both left and right rear roller adjustment bolts the same distance, usually a $\frac{1}{4}$ turn, in the clockwise direction. Plug the power cord back into the surge protector and run the treadmill at 2.5 mph. You should now walk on the belt to determine if the belt is still slipping. Repeat the above procedure until the walking belt is not slipping. The tension should be just tight enough not to slip.



Diagram 3

Note: Turning the hex key counter clockwise brings the rear rollers and belt towards you.

Turning the hex key clockwise pushes the rear roller and belt away from you.

Change MPH to KMH

Your treadmill will operate in British Units (miles per hour) or International Units (kilometers per hour). All treadmills are calibrated at the factory for British Units (miles per hour). To change the display to read in kilometers, follow the steps described here:

- 1) Turn power OFF on the console. (Do not unplug treadmill.) Attach the magnet safety key to the console.
- 2) Activate the calibration mode switch by inserting the eraser end of a pencil into the opening in the backside of the console (see diagram below).
- 3) Depress the calibration mode switch ONCE. CL11 should appear in the TIME window.
- 4) Pressing the SPEED +/- button will activate your choice.
- 5) To accept the setting, press the POWER button.



Maintenance Instructions



WARNING! Before performing any maintenance to your treadmill, always unplug the power cord from the surge protector.

CLEANING: Routine cleaning of your **IRONMAN 320t TREADMILL** will extend the life of your unit. **WARNING!** To prevent electrical shock, be sure the power to the treadmill is OFF and the unit is unplugged from the wall electrical outlet before attempting any cleaning or maintenance.

AFTER EACH WORKOUT: Wipe off the console and other treadmill surfaces with a clean, water dampened soft cloth to remove excess perspiration. **USE NO CHEMICALS.**

WEEKLY: Use of a treadmill mat is recommended for ease of cleaning. Dirt from your shoes contacts the belt and eventually makes it to underneath the treadmill. Vacuum underneath treadmill once a week.

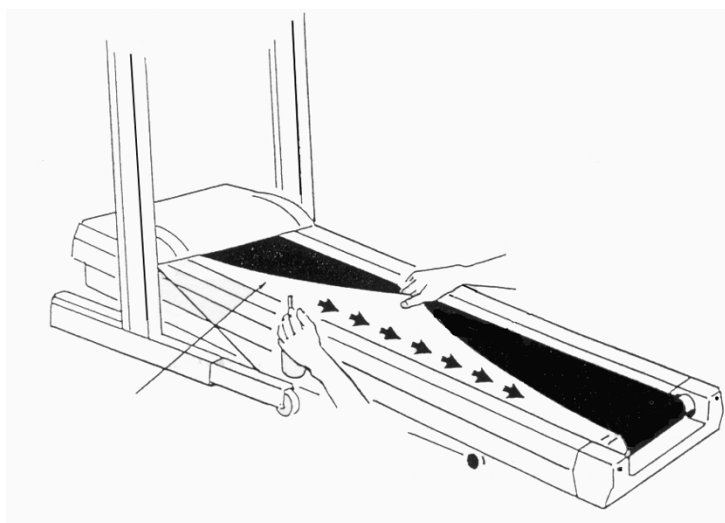
DECK LUBRICATION: The walking belt has been pre-lubricated at the factory. However, it is recommended that the walking board be checked periodically for lubrication to ensure optimal treadmill performance.

Every 30 days or 30 hours of operation, lift the sides of the walking belt and feel the top surface of the walking board as far under as you can reach. If you feel signs of silicone, no further lubrication is required. If it feels dry to the touch, lubrication is needed. Ironman Fitness recommends “Lube N Walk” for cleaning and lubricating the treadmill belt and deck. Ask your retailer or call Ironman Fitness at 800-750-4766. You may also use silicone such as “Napa 8300” (available at most NAPA Auto Parts stores).

TO APPLY LUBRICANT TO THE WALKING BOARD

- 1) Position the walking belt so that the seam is located on top and in the center of the center of the walking board.
- 2) Insert the spray nozzle into the spray head of the lubricant can.
- 3) While lifting the side of the walking belt, position the spray nozzle between the walking belt and the board approximately 6” from the front of the treadmill. Apply the silicone spray to the walking board, moving from the front of the treadmill to the rear. Repeat this on the other side of the belt. Spray approximately 4 seconds on each side.
- 4) Allow the silicone to ‘set’ for one minute before using the treadmill.

WARNING: Do not over-lubricate the walking board. Excess lubricant should be wiped off with a clean towel.

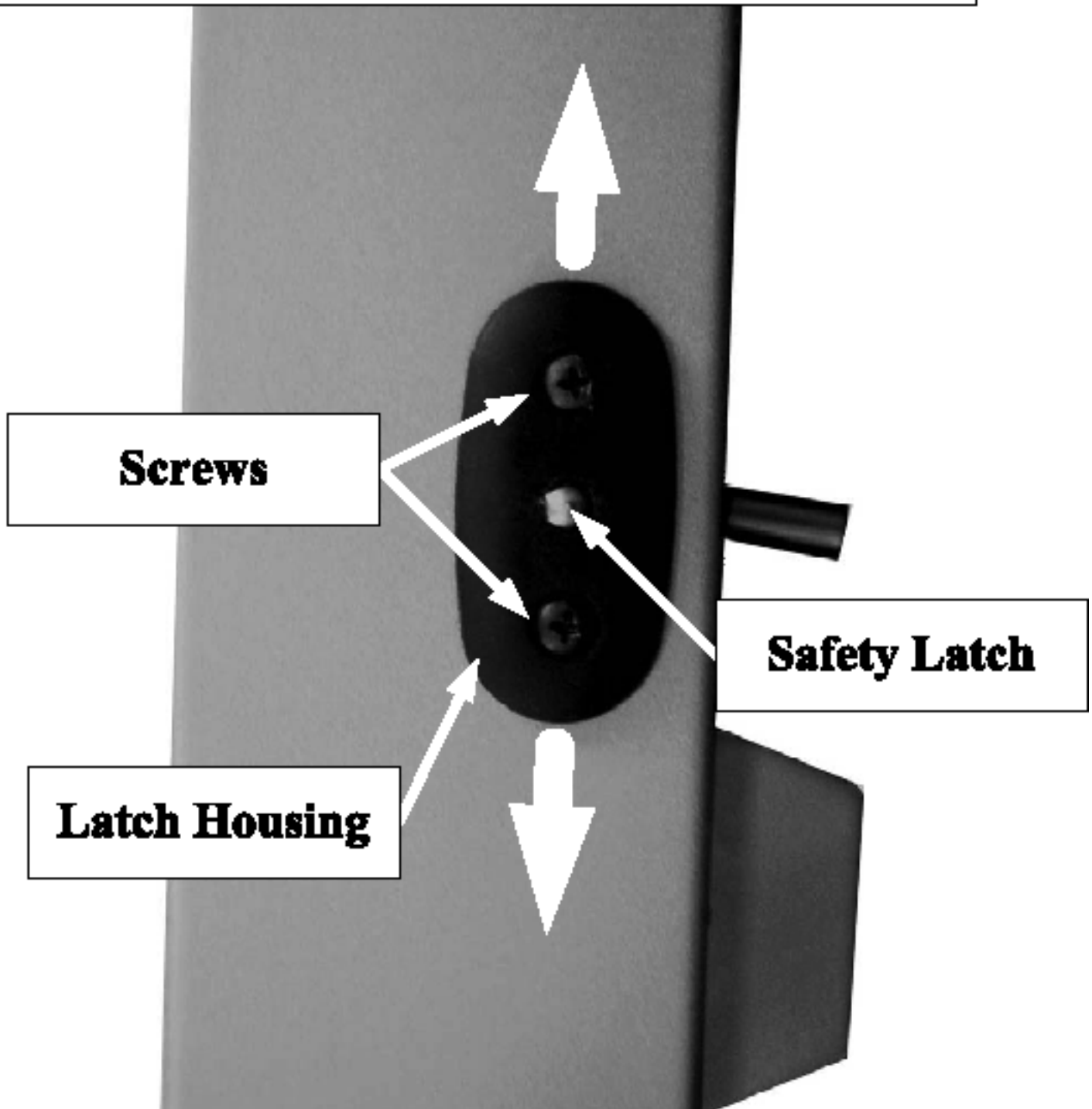


Maintenance Instructions

If Safety Latch Assembly will not secure correctly, turn the two Screws counter-clockwise a **half turn**.

NOTE: DO NOT REMOVE SCREWS FROM LATCH HOUSING.

Next, slide the Safety Latch Housing up or down to align the Safety Latch with center of hole located on the left handlebar. Tighten the two Screws to secure the assembly in place.



Treadmill will not start.

1. Is the **Safety Key** inserted into the treadmill Console?
2. Make sure the power cord is plugged into a surge protector, the surge protector is plugged into a properly grounded outlet, and the surge protector is turned on. (**Refer to “Power Requirements” on page 12**).
3. Check the circuit breaker located on the front of the treadmill. If the switch protrudes, it has tripped. Wait five minutes and then press the switch back in.
4. Check the house electrical breaker box and the circuit breaker for the room where the treadmill is located. If it has tripped, reset or have an electrician replace the breaker in home.
5. Have an electrician check for inadequate voltage at the outlet.

Treadmill loses power during use.

1. Check the circuit breaker located on the front of the treadmill. If the switch protrudes, it has tripped. Wait five minutes and then press the switch back in.
2. Check the house electrical breaker box and the circuit breaker for the room where the treadmill is located. If it has tripped, reset or have an electrician replace the breaker in home.
3. If the treadmill still will not operate, please call **Ironman Customer Service at 800-750-4766**.

Treadmill walking belt slows during use.

1. Check to make sure the treadmill is securely plugged into an UL-listed surge protector, rated at 15 amps, with a 14-gauge cord of five feet or less and the surge protector is securely plugged into the outlet.
2. If treadmill still will not operate, please call **Ironman Customer Service at 800-750-4766**.

Treadmill walking belt slips or is not centered on rear roller.

1. Refer to “Belt Adjustment and Tension” section on **page 19**.
2. Need help? Call **Ironman Customer Service at 800-750-4766**.

Treadmill Error Messages.

Your treadmill is equipped with a software package that enables error messages to be displayed when there is a problem.

To avoid possible damage to the treadmill and the possibility of injury, do not operate the treadmill until the problem is corrected. Call Ironman Customer Service at 800-750-4766, or see “Error Messages” on page 24 of this Owners Manual.

Treadmill Error Messages.

Your treadmill is equipped with a software package that enables error messages to be displayed when there is a problem. The following error codes will be displayed in the console display windows.

Safety Interlock Error Messages

SI 1 - Safety key missing, replace and try again.

SI 2 - Over voltage protection trip. Notify Ironman Fitness Customer Service.

Other Error Messages

E11 - Lack of speed feedback data from belt motor. Attempt calibration. See Calibration Sequence section on **page 25** of this Owners Manual for detailed information.

E22 - Under Speed condition detected from the belt motor. Attempt calibration. See Calibration Sequence section for detailed information.

E33 - Over Speed condition detected from the belt motor. Attempt calibration. See Calibration Sequence section for detailed information.

E44 - Stuck key detected at power up, Notify Ironman Fitness Customer Service.

To avoid possible damage to the treadmill and the possibility of injury, do not operate the treadmill until the problem is corrected. Call Ironman Fitness Customer Service at (800) 750-4766.

Calibration Sequence



Do not attempt to calibrate the treadmill unless an Error Code is present. See Error Messages (page 24). Our treadmill is equipped with a software package that will perform a calibration sequence unique to your specific model number.

Please perform the following steps to calibrate the **IRONMAN 320t TREADMILL**.

1. Unplug power cord from outlet strip.
2. Attach Safety Key to console.
3. Plug power cord into outlet strip.
4. Initiate calibration sequence. Locate hole on the back of the console and insert the eraser end of a pencil through the hole and press the calibration switch **twice**. As show on **page 20**.
5. **CL21** should appear in the Time window, if not, continue to press the calibration switch until CL21 appears.

Note: During the calibration sequence, the Time window will display which step you are at in the process (C21, C22, C23 and so on). The CAL/DIST window will display which key should be entered next. For example, “E” for Enter, “P” for Power, or “SS” for Start / Stop.

6. **CL21:** MPH or KPH will be flashing in the Speed window, pressing the Speed +/- button will toggle options. Choose **MPH** (KPH), press Enter.
7. **CL22:** 8, 10, or 12 (13, 16, or 20 in KPH mode) will be displayed in the Speed window, pressing the Speed +/- button will toggle options. Choose **10** (or 16 for KPH mode), press Enter.
8. **CL23:** FFF, UUU, or HHH will be displayed in the Speed window, pressing the Speed +/- button will toggle options. Choose **UUU**, press Enter.
9. **CL24:** 111 or 222 will be displayed in the Speed window, pressing the Speed +/- button will toggle options. Choose **222**, press Enter.
10. **CL25:** --- will be displayed in the Speed window, pressing Enter.
11. **CL26:** OPA or OPI will be displayed in the Speed window, pressing the Speed +/- button will toggle options. Choose **OPA**, press Enter.
12. **CL27:** Blank (nothing), “a”, “b”, “c”, or “d” will be displayed in the Incline window, pressing the Speed +/- button will toggle options. Choose “**Blank**”, press Enter.
13. CAL/DIST window will display “**E**”, Press Enter. “**55**” will display in CAL/DIST window.
14. Press Start/ Stop.
15. At this time, make sure you are not standing on the walking belt, as the machine will automatically initiate belt movement and run through a complete calibration and diagnostic routine.
Press **Enter**, belt will begin to move, unit will begin self-calibration.
16. When Speed and Incline calibration has finished, press Power button **twice**, display should blank, and treadmill should be ready for use.

To avoid possible damage to the treadmill and the possibility of injury, do not operate the treadmill until the problem is corrected. Call Ironman Customer Service at 800-750-4766.

Parts List



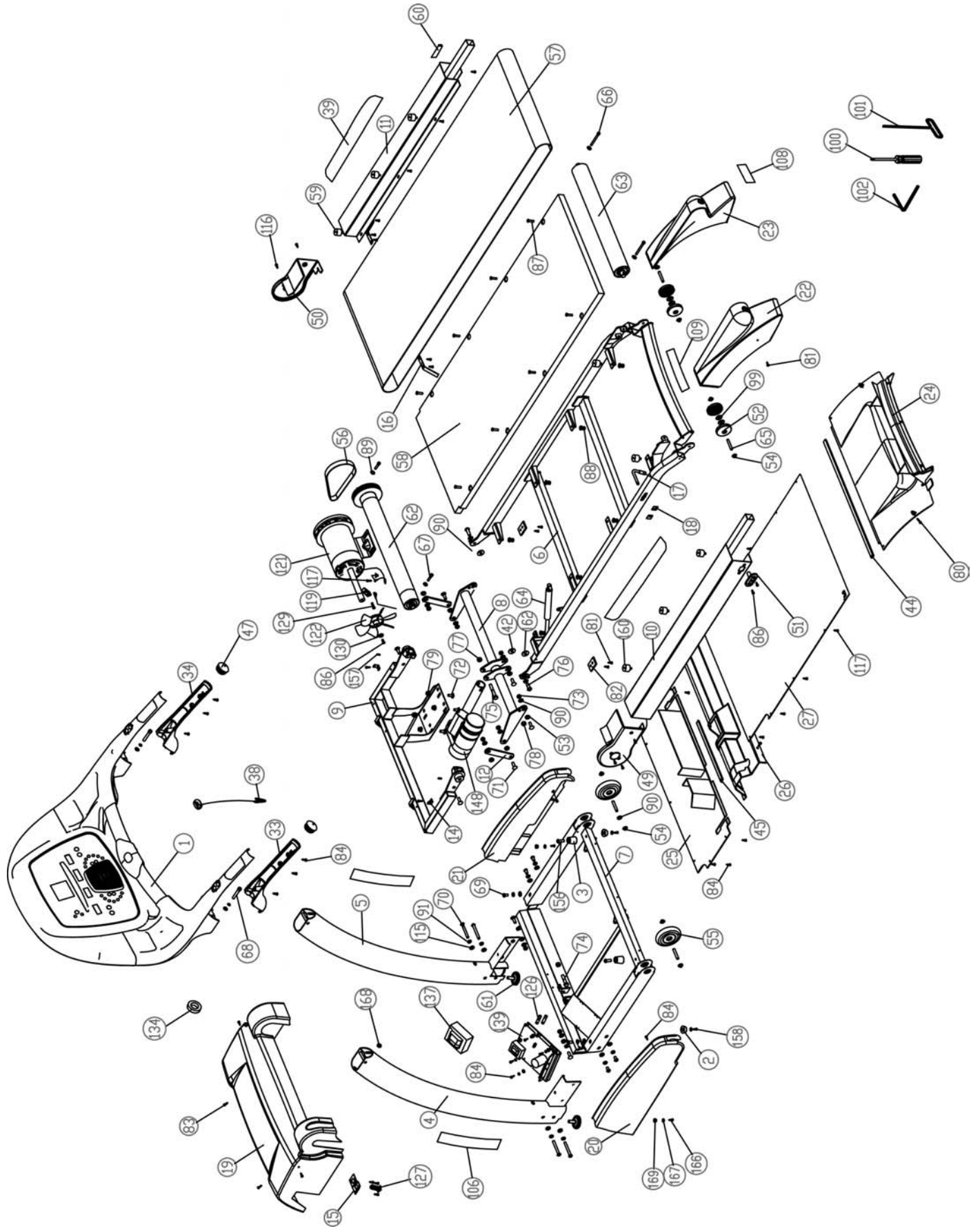
320t Parts List Rev F

REF#	KEYS PART#	DESCRIPTION	QTY.	REF#	KEYS PART#	DESCRIPTION	QTY.
1	423-00013	CROSS BAR 320T	1	51	410-00018	LATCH GUIDE	1
2	406-00055	BASE BUMPER, 38*33*15	2	52	406-00044	REAR WHEEL	4
3	406-00056	LONG BUMPER, 43*35*45	2	53	402-00050	POWER METAL BUSHING	9
4	423-00009	LEFT UPRIGHT	1	54	402-00046	CLIP NUT	8
5	423-00010	RIGHT UPRIGHT	1	55	406-00034	TRANSPORT WHEEL	2
6	423-00011	DECK FRAME	1	56	404-00004	POLY V-BELT, 190J8	1
7	423-00039	BASE FRAME SILVER, 320T.1/220T.1	1	57	404-00003	WALK BELT, 20*56, IRONMAN LOGO	1
8	419-00007	ELEVATION FRAME	1	58	403-00002	WALK BOARD, 150/220/320T, 20*56	1
9	419-00008	MOTOR FRAME	1	59	406-00035	DECK BUMPER, 24*20	7
10	405-00002	SIDE BOARD - LATCH SIDE	1	60	410-00014	ALLEN WRENCH HANGER	1
11	405-00003	SIDE BOARD	1	61	406-00045	ADJUST SUPPORT	2
12	419-00010	LINKAGE BRACKET	2	62	409-00003	FRONT ROLLER, 150T,220T,320T	1
13	419-00009	REED SWITCH PLATE	1	63	409-00004	REAR ROLLER, 150T,220T,320T	1
14	419-00011	SIDE MOTOR COVER BRACKET	2	64	410-00019	GAS SPRING, 400N	1
15	410-00015	POWER CORD BRACKET	1	65	419-00012	REAR WHEEL SHAFT	4
16	410-00016	BELT GUIDE BRACKET	2	66	402-00051	SHOULDER ALLEN BOLT 1/4"-20*63.5	2
17	410-00012	LAT PIN	1	67	402-00052	SHOULDER ALLEN BOLT 1/4"-20*28.5	2
18	410-00013	LAT PIN BRACKET	2	68	402-00053	SHOULDER ALLEN BOLT 5/16"-18*45	2
19	406-00036	MOTOR COVER	1	69	402-00054	Allen Bolt 5/16"-18*15	6
20	406-00037	LEFT FENDER	1	70	402-00055	Allen Bolt 5/16"-18*70	4
21	406-00038	RIGHT FENDER	1	71	402-00056	Carriage Bolt 5/16"-18*25.4	9
22	406-00039	LEFT END CAP, SILVER	1	72	402-00057	Carriage Bolt 5/16"-18*19	4
23	406-00040	RIGHT END CAP, SILVER	1	73	402-00058	Nylon Lock Nut 5/16"-18*8.9	9
24	406-00048	MOLDED REAR PAN	1	74	402-00059	Hex Bolt 3/8"-16*45	1
25	406-00049	FRONT BOTTOM PAN	1	75	402-00060	Hex Bolt 3/8"-16*63.5	1
26	406-00050	REAR BOTTOM PAN	1	76	402-00125	ALLEN BOLT, 3/8" X 16 25	2
27	406-00051	BOTTOM SHEET, 150/220/320t,TRI-7.3t	1	77	402-00062	Nylon Lock Nut 3/8"-16*11.5	2
28	406-00053	MAIN CONSOLE BOX (A)	1	78	402-00063	Nylon Lock Nut 5/16"-18*8.9	1
29	406-00022	LEFT TOP HANDLE COVER	1	79	402-00047	JAM NUT 5/16"*18	4
30	406-00023	RIGHT TOP HANDLE COVER	1	80	402-00064	Screw ST4.2*32	2
31	406-00024	LEFT POCKET BOTTOM	1	81	402-00065	Screw ST4.8*16	4
32	406-00025	RIGHT POCKET BOTTOM	1	82	406-00059	SQUARE BUMPER, 40*28*6	2
33	406-00026	LEFT BOTTOM HANDLE COVER	1	83	402-00097	PHILIP SCREW ST4*16	19
34	406-00027	RIGHT BOTTOM HANDLE COVER	1	84	402-00068	Philip Screw ST4.2x16	66
35	406-00028	REED SWITCH TOP HOLDER	1	85	402-00069	Philip Screw ST2.9x9.5	15
36	406-00029	REED SWITCH BOTTOM HOLDER	1	86	402-00086	PHILIP SCREW, 10-24 X 42.5	3
37	406-00054	CONSOLE A INSERT FOR 5 WIN LED	1	87	402-00071	Chamfer Bolt 1/4"-20 x 25mm	8
38	402-00090	KILL SWITCH MAGNET	1	88	402-00072	Nylon Lock Nut 1/4"-20 x 6.5mm	8
39	414-00014	ANTI-SKID PAD, IN-042	2	89	402-00126	WASHER, 6.6 X 15 X2	4
40	406-00030	FAN GRILL	1	90	402-00074	DUPE 402-00026, Washer 9x16x1.6mm	23
41	406-00032	FAN MOTOR MOUNT	1	91	402-00075	Spring Washer 8mm	12
42	402-00091	PLASTIC WASHER	2	92	410-00020	PULSE RECEPTACLE PLATE - TOP	2
43	402-00049	CLIP NUT	3	93	410-00021	PULSE RECEPTACLE PLATE - BOTTOM	2
44	405-00004	T EXTRUSION	1	94	402-00076	Philip Screw ST4.2x9.6	4
45	405-00005	S EXTRUSION	1	95	402-00077	Philip Screw M2.5x6	2
46	406-00041	PLUG CALIBRATION HOLE	1	96	402-00078	Washer 2.5x5x0.5mm	2
47	406-00033	DOME END CAP	2	97	402-00079	SPRING WASHER 2.5MM	2
48	406-00047	FAN (CONSOLE)	1	98	402-00080	GEAR WASHER D2.5	2
49	406-00042	LEFT SIDEBBOARD COVER	1	99	402-00048	PAN SPRING WASHER 10*19*0.25	6
50	406-00043	RIGHT SIDEBBOARD COVER	1	100	410-00022	WRENCH	1

320t Parts List Rev F Continued

REF#	KEYS	PART#	DESCRIPTION	QTY.	REF#	KEYS	PART#	DESCRIPTION	QTY.
101	410-00023		ALLEN WRENCH 3/16"	1	136	413-00004		POWER CORD	1
102	410-00024		ALLEN WRENCH 7/32"	1	137	408-00016		TRANSFORMER (WITH FAN)	1
103	414-00023		DECAL SPEED, 150T, 220T, 320T	1	138	413-00018		FAN HARNESS	1
104	414-00024		DECAL ELEVATION, IN-045, 150T, 220T, 320	1	139	407-00007		MOTOR CONTROLLER, 08-0158	1
105	414-00028		DECAL CLEAR CONSOLE COVER,150T,220T,320T	1	140	407-00008		EKG MODULE, 07-0080	1
106	414-00025		DECAL IRONMAN UPRIGHTS, IN-049	1	141	413-00019		TEL-LINE	1
107	402-00123		PHILIP SCREW, ST4 X 25	2	142	407-00006		SPEED INCLINE PCB	2
108	414-00029		DECAL MODEL 320T, IN-060	1	143	414-00017		OVERLAY IN-041,320T	1
109	414-00027		DECAL IRONMAN DECK	1	144	407-00010		CONSOLE PCB IN-020, TRIAD/320T	1
110	414-00002		SAFETY KEY DECAL, IN-008	1	145	408-00018		MEMBRANE SPEED IN-030	1
112	410-00034		ZIP TIE, SMALL	4	146	408-00019		MEMBRANE INCLINE IN-031	1
113	410-00035		ZIP TIE ,LARGE	15	147	408-00020		MEMBRANE PROGRAM IN-032	1
114	402-00081		Plastic Washer	18	148	412-00005		ACTUATOR, 12-0045	1
115	402-00082		WASHER 9*22*2	4	149	415-00008		MANUAL 320T	1
116	402-00122		PHILLIP SCREW, ST4 X 13	4	150	402-00092		ALLEN BOLT	2
117	402-00031		PHILIP SCREW ST4.2*13	31	151	406-00057		POWER CORD SPACER	1
118	402-00085		Philip Screw 10-24**12mm	1	152	402-00093		GEAR WASHER	1
119	408-00013		SPEED SENSOR	1	153	402-00098		PHILIP SCREW ST2.9*6.5	6
120	413-00012		ENCODER HARNESS	1	155	413-00020		HARNESS EKG TO HRC	1
121	412-00006		MOTOR, 12-0049	1	156	402-00012		ALLEN BOLT M8*40	2
122	406-00046		FAN (MOTOR)	1	157	402-00099		ALLEN BOLT M5*8	2
123	413-00013		CONSOLE HARNESS A	3pcs	158	402-00100		PHILIP SCREW 4.2*25	8
124	413-00014		SPEED AND INCLINE HARNESS	2	160	406-00060		DECK BUMPER 25*19*16	1
125	413-00015		EKG HARNESS	2	161	407-00022		CHEST STRAP, 07-0091	1
126	408-00014		FUSE	2	162	406-00061		DECK BUMPER 41*3	2
127	408-00015		CIRCUIT BREAKER IN-011	1	163	406-00097		HRC RECEIVER HOUSING 75x57x16.8	1
129	402-00087		SCREW 8/32*16	1	164	407-00020		HEARTBEAT RECEIVER, 07-0090	1
130	402-00088		WASHER	1	165	402-00064		Screw ST4.2*32	2
131	407-00005		CONSOLE FAN MOTOR	1	166	402-00124		PHILIP SCREW, M6 X 10	2
132	413-00016		REED SWITCH	1	167	402-00073		Washer 6.6x12x1.6mm	2
133	413-00017		JUMPER WIRE	1	168	406-00098		GROMMET IRONMAN UPRIGHT	1
134	408-00017		MAGNET CORE	1	169	406-00079		BASE BUMPER, 28*25*13	2
135	402-00089		WIRE CLIP	4					

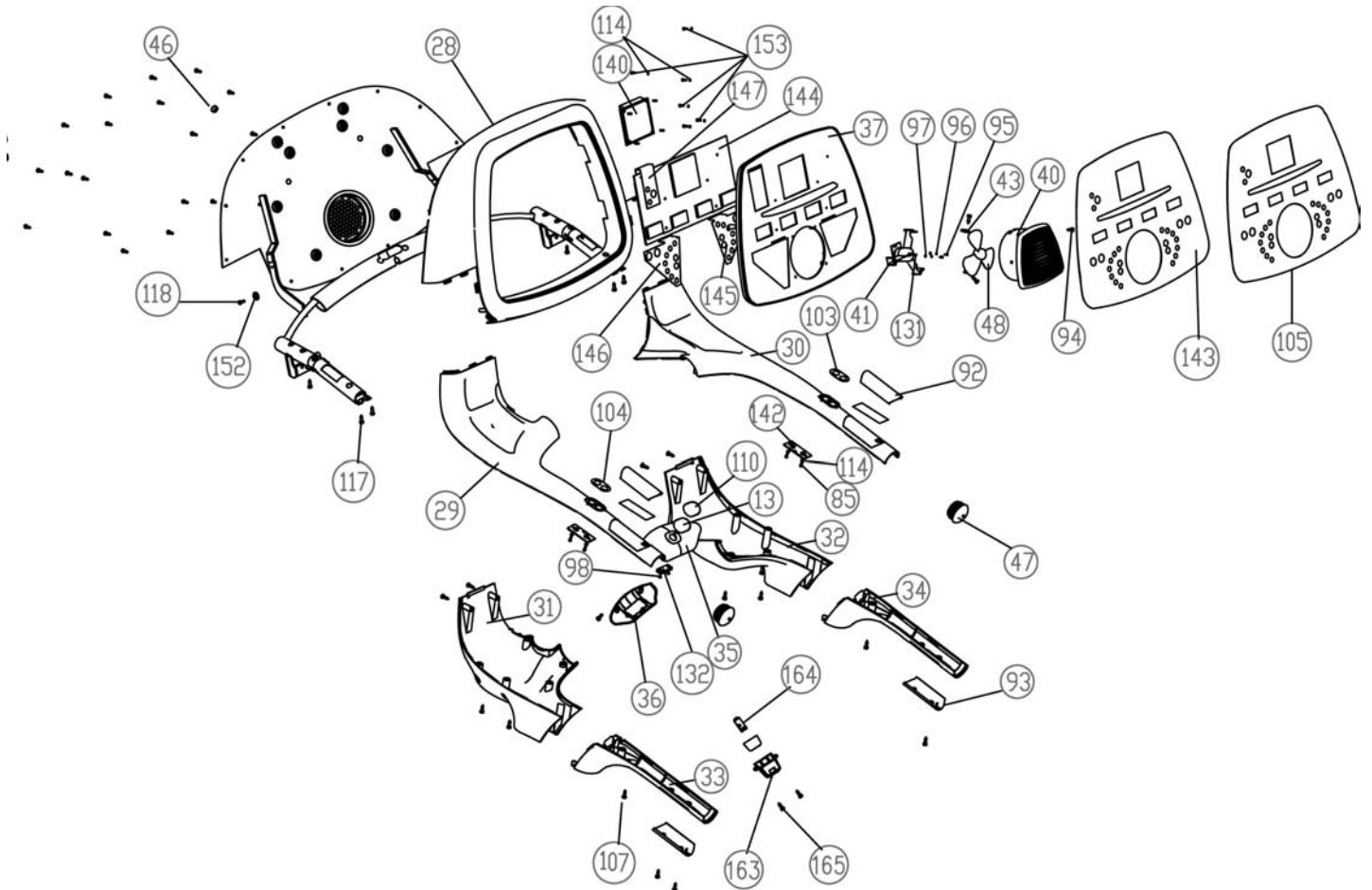
Exploded View



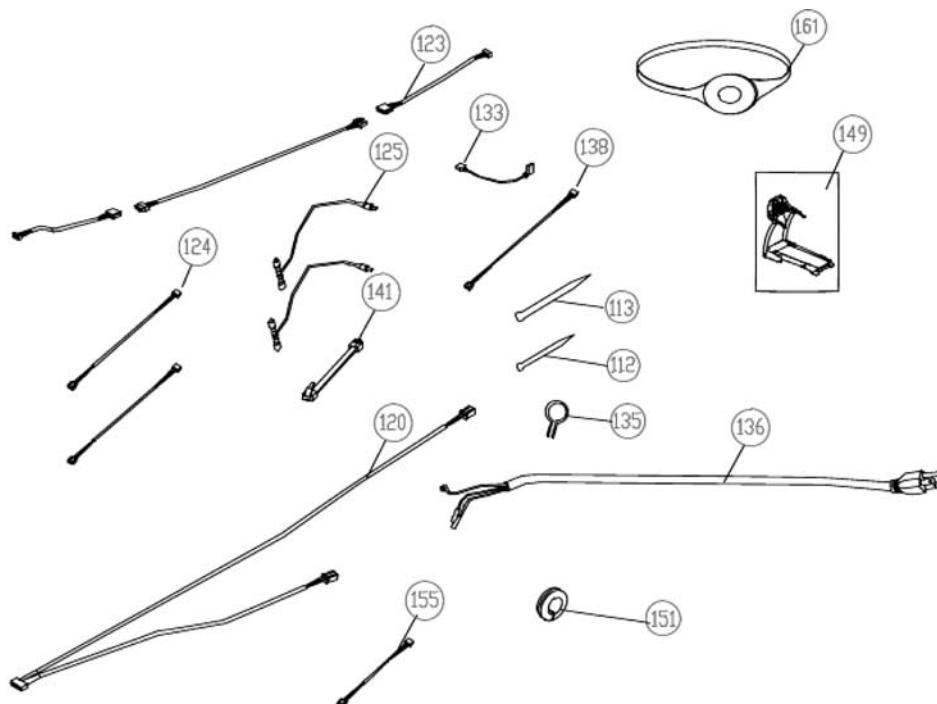
Exploded View



CONSOLE ASSEMBLY 424-00008



WIRE HARNESS / MISCELLANEOUS



IRONMAN FITNESS 320t LIMITED WARRANTY

Residential Warranty

Frame: Lifetime
Motor: 10 Years
Parts: 2 Years
Labor: 1 Year

This Limited Warranty applies in the United States and Canada to products manufactured or distributed by Ironman Fitness (“Ironman”) under the Ironman brand name. The warranty period to the original purchaser is listed above in the table.

Ironman warrants that the Product you have purchased for use from Ironman or from an authorized Ironman reseller is free from defects in materials or workmanship under normal use during the warranty period. Your sales receipt, showing the date of purchase of the Product, is your proof of purchase. This warranty only extends to you, the original purchaser. It is not transferable to anyone who subsequently purchases the Product from you. It excludes expendable parts (wear items). Wear items pertain to components that might need to be replaced due to normal wear and tear. These items vary per product but will include pedal straps, seats, grips, chains, bottom bracket assemblies, pads, etc. Please contact an Ironman customer service representative for specifics on wear items. This Limited Warranty becomes VALID ONLY if the product is purchased through an Ironman Fitness authorized dealer unless otherwise authorized by Ironman Fitness in writing.

During the warranty period Ironman will repair or replace (at Ironman’s option) the product if it becomes defective, malfunctions, or otherwise fails to conform with this Limited Warranty under normal use. In repairing the Product, Ironman may replace defective parts, or at the option of Ironman, serviceable used parts that are equivalent to new parts in performance. All exchanged parts and Products replaced under this warranty will become the property of Ironman. Ironman reserves the right to change manufacturers of any part to cover any existing warranty.

This warranty DOES NOT COVER shipping charges, export taxes, custom duties and taxes, or any other charges associated with transportation of the parts or Product.

To obtain warranty service, you must contact an Ironman authorized retailer, service technician or Ironman Fitness at our phone number located in this manual. Any parts determined to be defective must be returned to Ironman to obtain warranty service. You must prepay any shipping charges, export taxes, custom duties and taxes, or any other charges associated with transportation of the parts or Product. In addition, you are responsible for insuring any parts or Product shipped or returned. You assume the risk of loss during shipment. You must present Ironman with proof-of-purchase documents (including the date of purchase). Any evidence of alteration, erasing or forgery of proof-of-purchase documents will be cause to void this Limited Warranty.

This warranty does not extend to any product not purchased from Ironman or from an authorized Ironman reseller. This Limited Warranty does not extend to any Product that has been damaged or rendered defective; (a) as a result of accident, misuse, or abuse; (b) by the use of parts not manufactured or sold by Ironman; (c) by modification of the Product or normal wear and tear; (d) operation on incorrect power supplies; or (e) as a result of service by anyone other than Ironman, or an authorized Ironman warranty service provider. Product on which the serial number has been defaced or removed is not eligible for warranty service. Should any Product submitted for warranty service be found ineligible, an estimate of repair cost will be furnished and the repair will be made if requested by you upon Ironman’s receipt of payment or acceptable arrangements for payment.

EXCEPT AS EXPRESSLY SET FORTH IN THIS WARRANTY, IRONMAN MAKES NO OTHER WARRANTIES, EXPRESSED OR IMPLIED, INCLUDING ANY IMPLIED WARRANTIES OF MERCHANTABILITY AND FITNESS FOR A PARTICULAR PURPOSE. IRONMAN EXPRESSLY DISCLAIMS ALL WARRANTIES NOT STATED IN THIS LIMITED WARRANTY. ANY IMPLIED WARRANTIES THAT MAY BE IMPOSED BY LAW ARE LIMITED TO THE TERMS OF THIS LIMITED WARRANTY. NEITHER IRONMAN NOR ANY OF ITS AFFILIATES SHALL BE RESPONSIBLE FOR INCIDENTAL OR CONSEQUENTIAL DAMAGES. SOME STATES DO NOT ALLOW LIMITATIONS ON HOW LONG AN IMPLIED WARRANTY LASTS OR THE EXCLUSION OR LIMITATION OF INCIDENTAL OR CONSEQUENTIAL DAMAGES, SO THE ABOVE LIMITATIONS OR EXCLUSION MAY NOT APPLY TO YOU. This Limited Warranty gives you specific legal rights and you may also have other rights that may vary from state to state. This is the only expressed warranty applicable to Ironman-branded products. Ironman neither assumes nor authorizes anyone to assume for it any other express warranty.

PLEASE SEND IN THE ATTACHED WARRANTY CARD WITHIN TEN (10) DAYS OF PURCHASE TO REGISTER YOUR UNIT WITH IRONMAN FITNESS.

PLEASE MAIL WARRANTY CARD TO:

IRONMAN FITNESS, ATTN: WARRANTY DEPARTMENT, P.O. BOX 551239, DALLAS, TEXAS 75355-1239

REGISTER YOUR PRODUCT ONLINE AT:
WWW.IRONMANFITNESS.COM



Customer Service

(800) 750-4766

Ironman Fitness Products

4009 Distribution Drive

Suite 250

Garland, TX 75041

www.ironmanfitness.com

Ironman and M-dot are registered trademarks of the World Triathlon Corp., used here by permission.

Free Manuals Download Website

<http://myh66.com>

<http://usermanuals.us>

<http://www.somanuals.com>

<http://www.4manuals.cc>

<http://www.manual-lib.com>

<http://www.404manual.com>

<http://www.luxmanual.com>

<http://aubethermostatmanual.com>

Golf course search by state

<http://golfingnear.com>

Email search by domain

<http://emailbydomain.com>

Auto manuals search

<http://auto.somanuals.com>

TV manuals search

<http://tv.somanuals.com>