



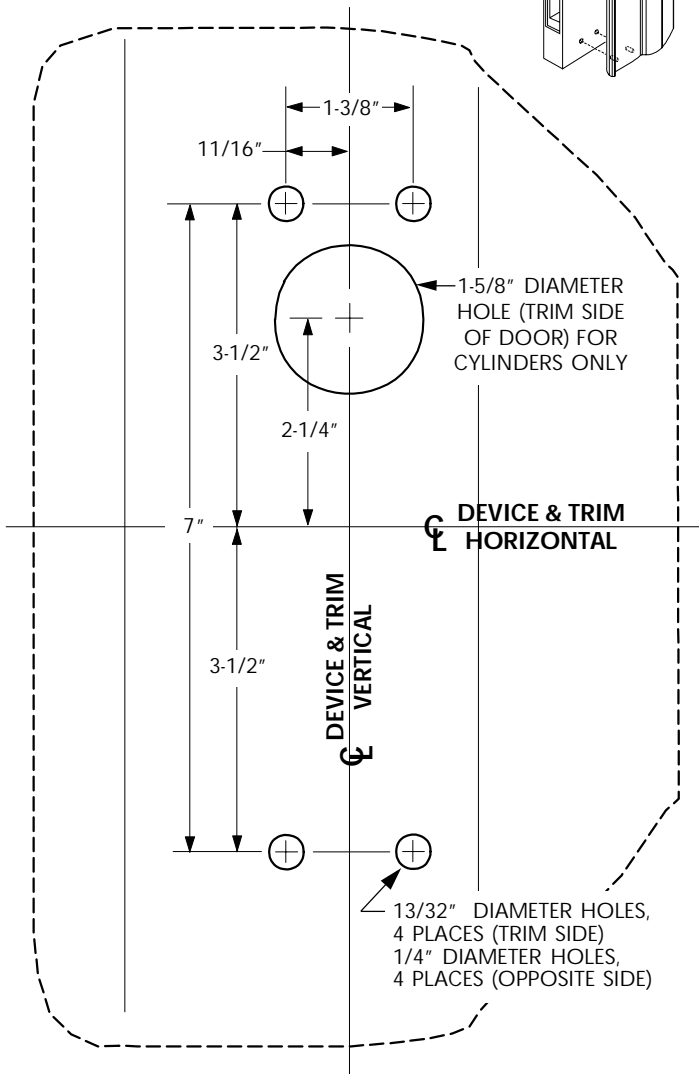
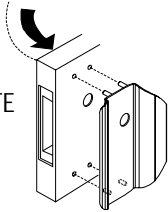
# INSTALLATION INSTRUCTIONS

## VR910M/VR914M VANDAL RESISTANT TRIM

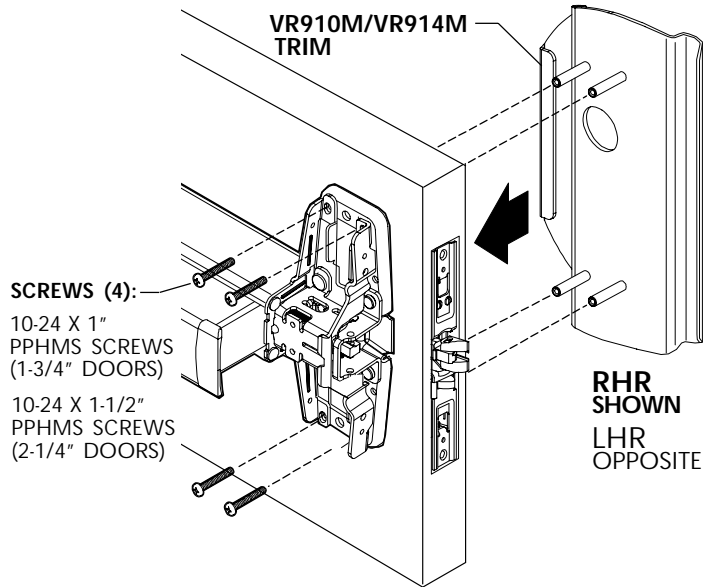
### FOR USE WITH MORTISE DEVICES

- 1** PREPARE PUSH SIDE OF DOOR FOR EXIT DEVICE. SEE EXIT DEVICE INSTRUCTIONS FOR PREPARATION.
- 2** PREPARE PULL SIDE OF DOOR FOR TRIM.
  - A** TRANSFER VERTICAL AND HORIZONTAL DEVICE CENTER LINES FROM PUSH SIDE OF DOOR TO PULL SIDE.
  - B** LOCATE AND PREPARE ALL HOLES AS INDICATED BELOW.

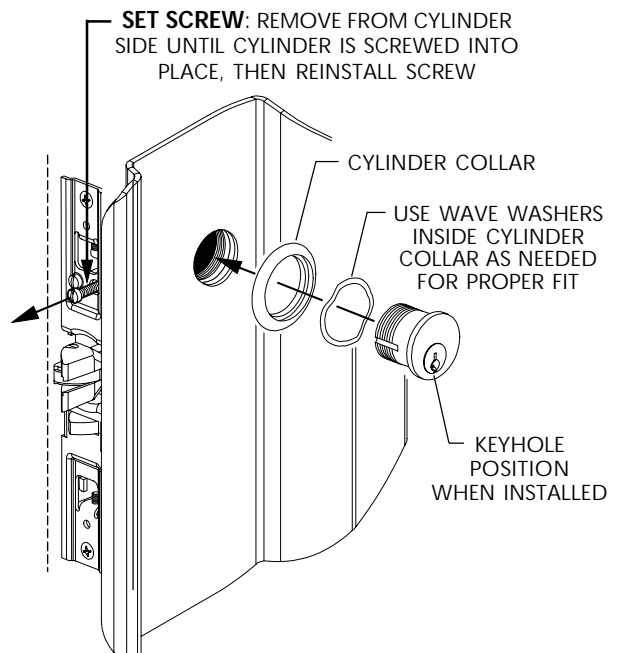
OUTSIDE FACE OF LOCK STILE    RHR SHOWN  
LHR OPPOSITE



- 3** INSTALL MORTISE LOCK. SEE MORTISE LOCK INSTRUCTIONS.
- 4** INSTALL EXIT DEVICE AND TRIM.



- 5** INSTALL CYLINDER, IF USING.



## Free Manuals Download Website

<http://myh66.com>

<http://usermanuals.us>

<http://www.somanuals.com>

<http://www.4manuals.cc>

<http://www.manual-lib.com>

<http://www.404manual.com>

<http://www.luxmanual.com>

<http://aubethermostatmanual.com>

Golf course search by state

<http://golfingnear.com>

Email search by domain

<http://emailbydomain.com>

Auto manuals search

<http://auto.somanuals.com>

TV manuals search

<http://tv.somanuals.com>