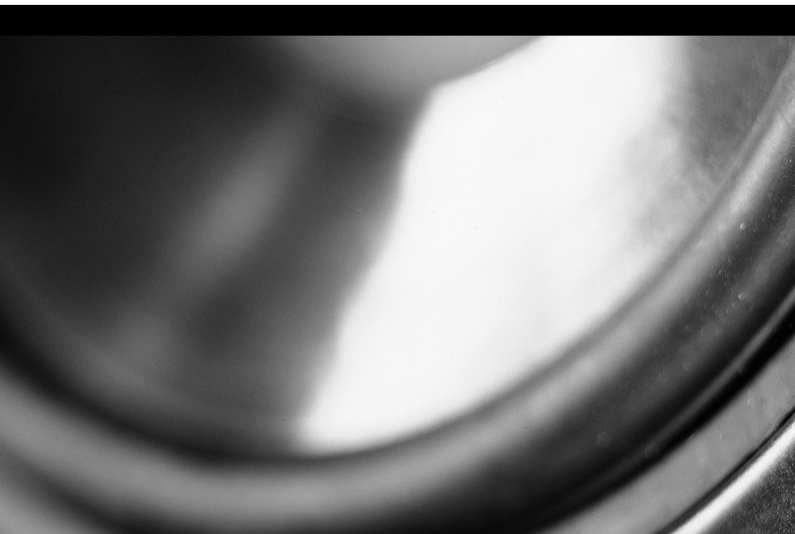


R-300



WARNING: Improper installation could result in damage to the receiver. Read all instructions before installation.

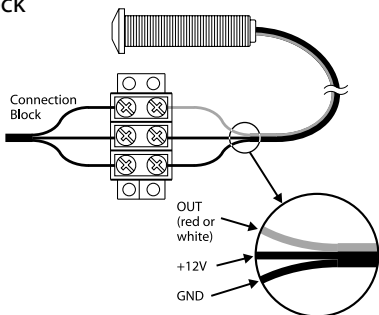
Jamo[®]
Let's get personal

Introduction

The R-300 has its electronics housed in a brass cylinder. The „front end“ of the unit is a small round lens. This small receiver is designed to be placed in very tiny spaces. One example is a small corner of an equipment cabinet, or in the front baffle of the Jamo in-wall speakers. A single ½-inch hole will accommodate the R-300. The high sensitivity of this receiver gives you the ability to place the R-300 further away from the hand held remote, increasing the placement options you have.

CONNECTING THE RECEIVER

Use the supplied screw terminal block to extend cables to the connecting block



USING THE RECEIVER

To use the system, simply point the hand-held remote control transmitter at the window on the R-300 receiver and press the proper button. The R-300 does not change the way your remote control works. The hand-held remote control transmitter for the stereo receiver will only operate the stereo receiver. Likewise, other transmitters will only operate their companion devices.

The maximum distance between the transmitter and the R-300 receiver will be different for each transmitter and when used directly with the controlled device.

The system may be left on continuously, as it does not affect the normal operation of the remote controlled device and consumes very little power.

FEATURES

- Extremely small package, only 2in / 51mm deep.
- Works in normal 3-wire mode.
- Talkback green LED tests system for correct wiring as well as indicating infrared reception.
- RF Grid included for EMI interference reduction.

The R-300 is available in two versions as follows:

R-300B Standard version, with mini 3 conductor 18 feet ribbon cable and separate screw terminal block (supplied)

R-300W Same as the R-300B except with white bezel.

SPECIFICATIONS

- Infrared modulation frequency bandwidth: 30-100 kHz.
- Nominal reception range: > 30 feet / 9m
- Nominal reception angle: 55 degrees off axis
- Cable requirements for long lengths: (three-conductor)
24 AWG = 200ft / 60m
22 AWG = 600ft / 180m
20 AWG = 2000ft / 600m
18 AWG = 5000ft / 1500m
(unshielded OK)
- Maximum cable length: 1 mile / 1.6 km with 18 gauge.
- Maximum current output: 100 milliamps.
- Maximum number of directly driven IR emitters: Up to four connected in series. (Use Jamo Connecting Blocks for emitter expansion).
- Power requirements: 12 volts DC @ 10 mA.
Requires PS-1 power supply.
- Dimensions: ½in / 13mm diameter, 2in / 51mm deep.

The scope of the warranty

The warranty period will come into force as from the purchase date stated on the invoice. The warranty will apply for the following period of time:

- 2 years for electronics (power supply, amplifier, etc.)
- 7 years for other parts (cabinet, speaker units, etc.)

In case of warranty inquiries, please contact your dealer.

In case of request for service under warranty, please enclose your original receipt.

Defects covered by the warranty:

Except for the defects stated below, the warranty covers any production and material defects of the product.

Defects not covered by the warranty:

- Defects arising from accidents, misuse, normal wear and tear, mis-maintenance, voltage variation, overloading, stroke of lightning, and other force majeure events
- Defects arising from incorrect installation or operation
- Defects arising from modification/repair/attempt of repair by a non-authorized service centre
- Defects arising from the use of non-original spare parts
- Defects on products with altered or lacking series number
- Other defects due to conditions or circumstances beyond the supplier's control

Transportation costs for servicing are not covered by the warranty.

The supplier is liable only to repair or replace defective parts or products. A replacement cannot exceed the value of the product under warranty.

Free Manuals Download Website

<http://myh66.com>

<http://usermanuals.us>

<http://www.somanuals.com>

<http://www.4manuals.cc>

<http://www.manual-lib.com>

<http://www.404manual.com>

<http://www.luxmanual.com>

<http://aubethermostatmanual.com>

Golf course search by state

<http://golfingnear.com>

Email search by domain

<http://emailbydomain.com>

Auto manuals search

<http://auto.somanuals.com>

TV manuals search

<http://tv.somanuals.com>