

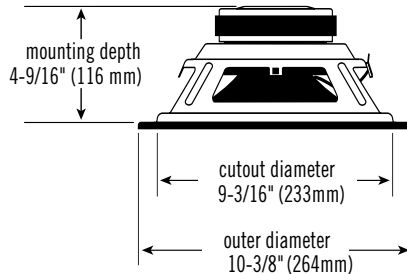
# JBL

## GTO 1002D 10" Woofer – Technical Data

### SPECIFICATIONS

DIAMETER:	10" (254mm)
SENSITIVITY (2.83 V @ 1m):	91 dB
POWER HANDLING:	250 W <sub>RMS</sub> 1000 W <sub>PEAK</sub>
FREQUENCY RESPONSE:	25 ~ 400 Hz
NOMINAL IMPEDANCE:	1 OR 4 OHMS
VOICE-COIL DIAMETER:	2.0" (51.0 mm)

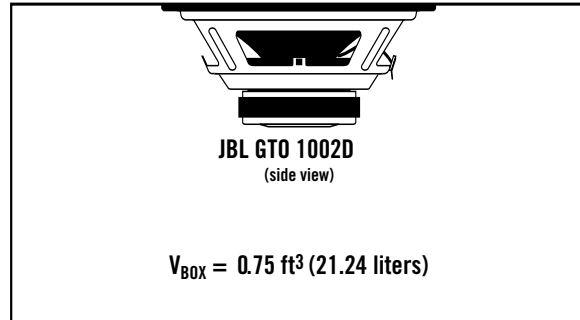
#### DIMENSIONS:



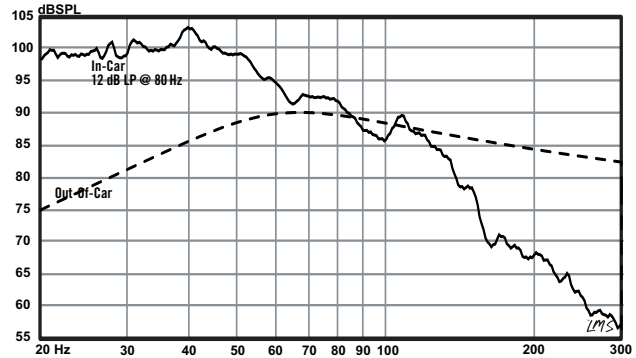
### THIELE-SMALL PARAMETERS

VOICE COIL DC RESISTANCE:	$R_{EVC}$ (OHMS) . . . . . 1.00
VOICE COIL INDUCTANCE @ 1 kHz:	$L_{EVC}$ (MH) . . . . . 0.72
DRIVER RADIATING AREA:	$S_D$ (IN <sup>2</sup> ) . . . . . 55.03
	$S_D$ (M <sup>2</sup> ) . . . . . 355.00
MOTOR FORCE FACTOR:	$BL$ (TM) . . . . . 7.70
COMPLIANCE VOLUME:	$V_{AS}$ (FT <sup>3</sup> ) . . . . . 1.37
	$V_{AS}$ (LITERS) . . . . . 38.70
SUSPENSION COMPLIANCE:	$C_{MS}$ (μM/N) . . . . . 215.20
MOVING MASS, AIR LOAD:	$M_{MS}$ (GRAMS) . . . . . 160.40
MOVING MASS, DIAPHRAGM:	$M_{MD}$ (GRAMS) . . . . . 156.50
FREE-AIR RESONANCE:	$F_S$ (Hz) . . . . . 27.00
MECHANICAL Q:	$Q_{MS}$ . . . . . 6.45
ELECTRICAL Q:	$Q_{ES}$ . . . . . 0.46
TOTAL Q:	$Q_{TS}$ . . . . . 0.43
MAGNETIC-GAP HEIGHT:	$H_{AG}$ (IN) . . . . . 3/8
	$H_{AG}$ (MM) . . . . . 9.00
VOICE-COIL HEIGHT:	$H_{VC}$ (IN) . . . . . 1-5/16
	$H_{VC}$ (MM) . . . . . 34
MAXIMUM EXCURSION:	$X_{MAX}$ (IN) . . . . . 1/2
	$X_{MAX}$ (MM) . . . . . 12.50

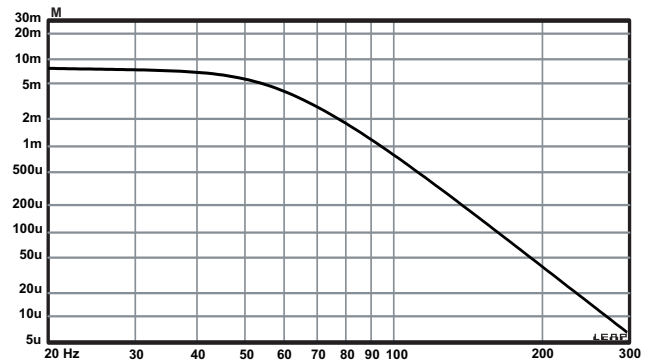
### SEALED BOX VOLUME (INCLUDES DRIVER DISPLACEMENT)



### SEALED ENCLOSURE FREQUENCY RESPONSE @ 2.83 V



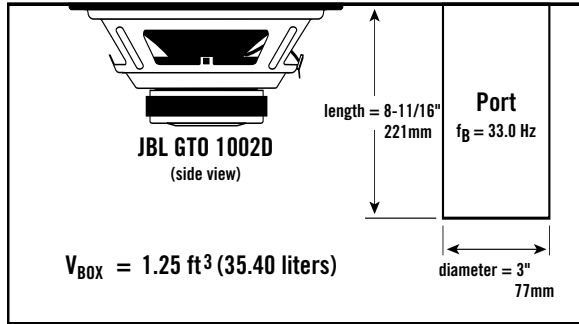
### SEALED ENCLOSURE CONE EXCURSION @ 250 W



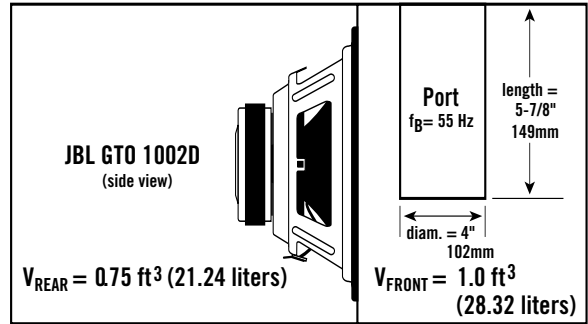


# GTO 1002D 10" Woofer – Technical Data

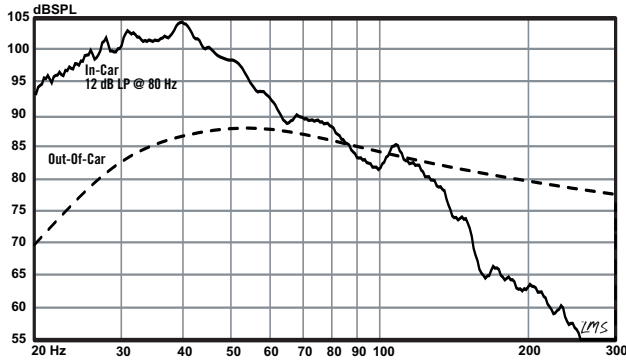
## VENTED BOX VOLUME (INCLUDES DRIVER/PORT DISPLACEMENTS)



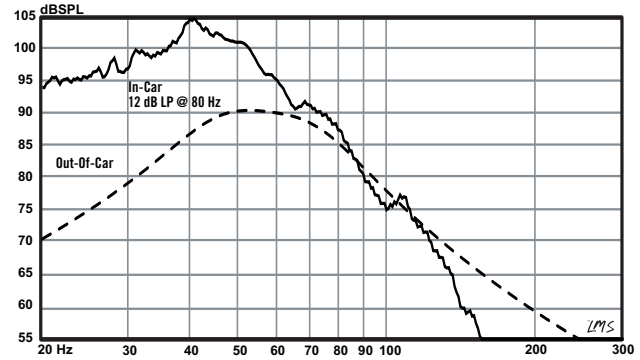
## BANDPASS BOX VOLUME (INCLUDES DRIVER/PORT DISPLACEMENTS)



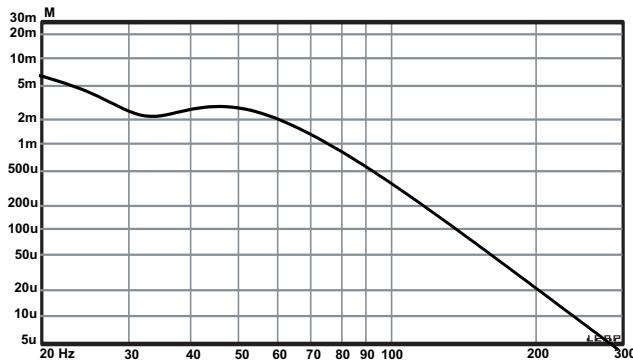
## VENTED ENCLOSURE FREQUENCY RESPONSE @ 2.83 V



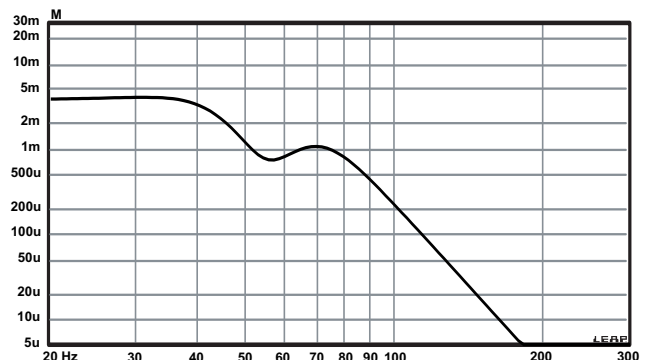
## BANDPASS ENCLOSURE FREQUENCY RESPONSE @ 2.83 V



## VENTED ENCLOSURE CONE EXCURSION @ 250 W



## BANDPASS ENCLOSURE CONE EXCURSION @ 250 W



## Free Manuals Download Website

<http://myh66.com>

<http://usermanuals.us>

<http://www.somanuals.com>

<http://www.4manuals.cc>

<http://www.manual-lib.com>

<http://www.404manual.com>

<http://www.luxmanual.com>

<http://aubethermostatmanual.com>

Golf course search by state

<http://golfingnear.com>

Email search by domain

<http://emailbydomain.com>

Auto manuals search

<http://auto.somanuals.com>

TV manuals search

<http://tv.somanuals.com>