



Automotive Loudspeakers

P-432, P-532, P-632, P-9632, P-9633,
P-332, P-6432, P-7532, P-23t & P-Kit Owner's Manual

GENUINE JBL

Download from [Www.Somanuals.com](http://www.Somanuals.com). All Manuals Search And Download.



Thank you for purchasing JBL's Power Series™ automotive loudspeakers. In order that we may better serve you should you require warranty service on your new speakers, please retain your original purchase receipt and return the enclosed warranty registration card.

Important: Installation of automotive stereo components can require extensive experience performing a variety of mechanical and electrical procedures. Although these instructions explain in a general sense how to install Power Series loudspeakers, they may not show the exact installation methods for your particular vehicle. If you feel you lack the tools or necessary experience, ask your authorized JBL car-audio dealer about professional installation options.

Installation Warnings and Tips

- Always wear protective eyewear when using tools.
- Turn off all audio systems and other electrical devices before you start. Disconnect the negative (-) lead from your vehicle's battery.
- Keep speakers in their package until final installation. When moving a speaker, always rest it with the cone or dome facing up. Never use force to install any speaker.
- Check clearances on both sides of a planned mounting surface before drilling any holes or installing any screws. Remember that the screws can extend behind the surface.
- At the installation sites, locate and make a note of all fuel lines, hydraulic brake lines, vacuum lines and electrical wiring. Use extreme caution when cutting or drilling in and around these areas.

Caution: In some cars, fuel tanks may be located directly beneath the rear deck. Check for adequate speaker-basket clearance before considering use of this location!

- Before drilling for the speakers or cutting holes, use a utility knife to remove unwanted fabric or vinyl to keep material from snagging in a drill bit or saw.
- For door installations, check the clearance with the windows in both closed and open positions and verify that a mounted speaker will not interfere with the window crank or power-window mechanism.
- If mounting speakers near rear-deck torsion bars, glove box or other structural elements, check for clearance first.
- Do not mount speakers where they will get wet.

Warning: Playing loud music in an automobile can permanently damage your hearing as well as hinder your ability to hear traffic. We recommend listening at low levels while in your car. JBL accepts no liability for hearing loss, bodily injury or property damage resulting from use or misuse of this product.

Installation of the P-332, P-6432 and P-7532, as shown in Figure 1.

Installation of the P-432, P-532, P-9632 and P-9633, as shown in Figures 2 and 3.

Figure 1.

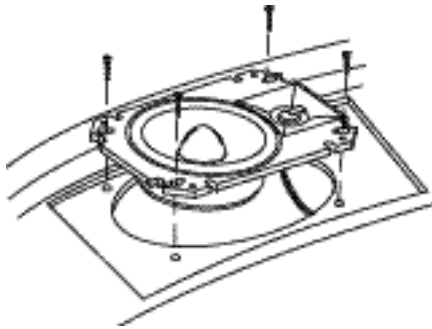


Figure 2.

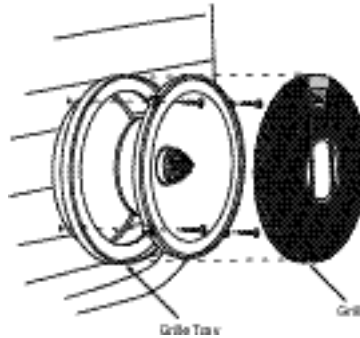
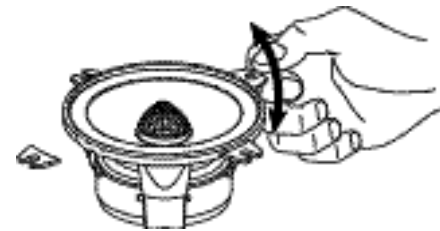


Figure 3.



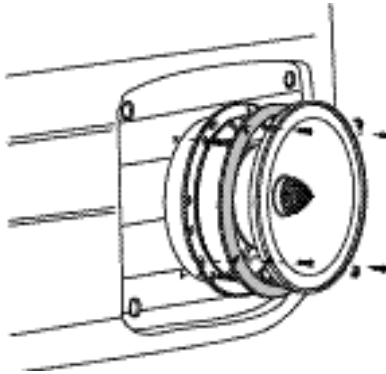
Note: The P-332, P-6432 and P-7532 are designed as direct replacements for original-equipment speakers mounted behind factory grilles.

Note: If you are mounting the P-532, P-9632 or P-9633 behind factory grilles, omit the grille and grille tray in Figure 2.

Note: Some installations may require some or all of the mounting ears to be removed from the P-432. Remove your original speakers first to determine whether any mounting ears must be removed.

Installation of the P-632, as shown in Figures 4a and 4b. The P-632 uses JBL's Intermount III™ mounting system. Intermount III™ provides for easy installation of these speakers in many standard and nonstandard locations that will accommodate a 6-1/2" speaker.

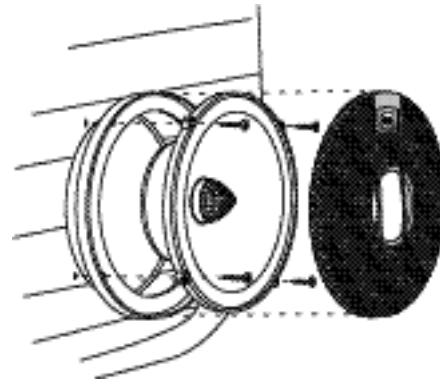
Figure 4a.



Using Intermount III™ in American and Japanese cars with openings for 6-1/2" speakers.

Important: When using the steel mounting rings, you must make sure that the rings are mounted to a completely flat surface.

Figure 4b.

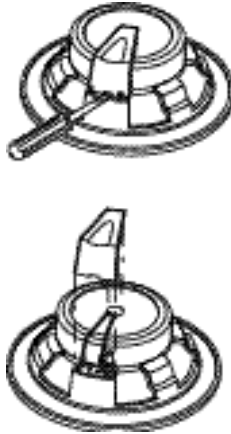


Using Intermount III™ in European and American 165mm openings or custom-mounting the speaker.

Converting the P-432, P-532 and P-632 to a component system using the optional P-Kit (sold separately), as shown on pages 5 and 6.

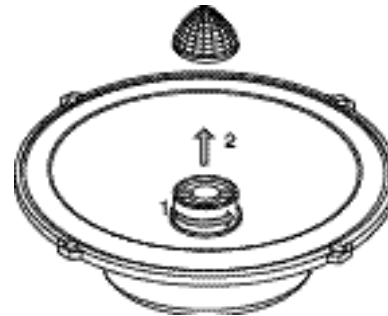
Separating the tweeter and woofer, as shown in Figures 5a and 5b.

Figure 5a.



Remove the orange wire cover by inserting a small screwdriver into the notch between the two terminals and prying upwards. Disconnect the tweeter wires from the terminal. Reinstall the cover after removing the tweeter.

Figure 5b.



Detach the tweeter by turning it counterclockwise to unlock it, then pull it away from the woofer while feeding the wires through the pole piece. Install the woofer phase plug and turn it clockwise to lock it in place.

Mounting the tweeter (P-23t), as shown in Figures 6a and 6b. The tweeter may be either surface-mounted or flush-mounted with parts supplied in the P-Kit.

Figure 6a.

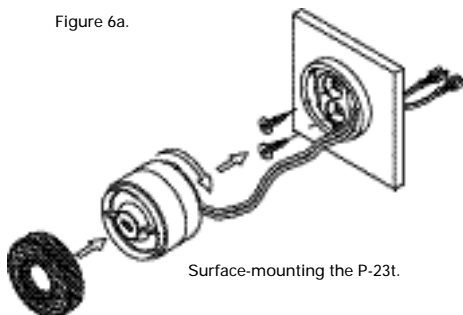
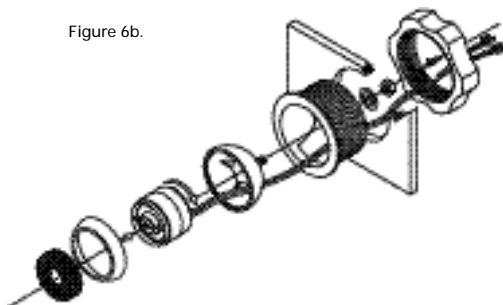
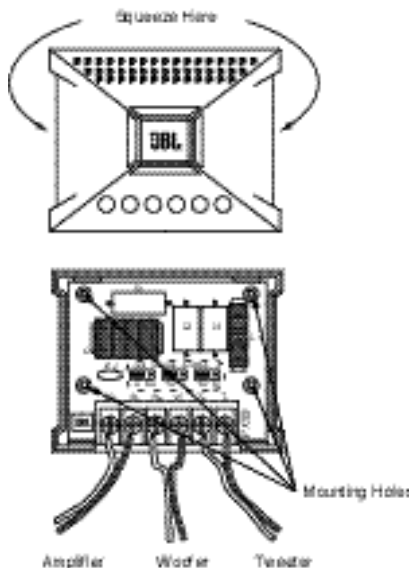


Figure 6b.

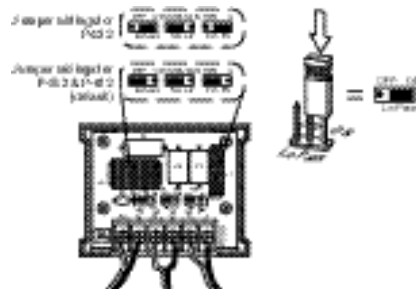


Connecting the woofer and tweeter to the passive crossover, as shown in Figures 7a and 7b.

Figure 7a.



Remove the top of the passive crossover by squeezing the sides and lifting off the top. Mount the crossover with screws or wire ties through the mounting holes. Connect the wires between the crossover, and between the woofer and tweeter as shown.



Position the "Lo Pass" and "Twt Frq" according to the speaker you are using as shown in the callouts in Figure 7b.

Jumper Functions

Lo Pass (Low Pass): You may engage or disengage the woofer low-pass filter with this jumper. Because the natural rolloff of the P-532 and the P-632 begin at a lower frequency than that of the P-432, this jumper should only be in the "on" position when the P-432 is being used.

Twt Lvl (Tweeter Level): You may attenuate the level of the tweeter's output using this jumper.

Twt Frq (Tweeter Frequency): Because the P-432 has usable frequency response higher than that of the P-532 or P-632, the optimum crossover frequency for the tweeter is slightly higher when the P-23t is used with the 4" woofer.

Note: For the most accurate sound reproduction, the jumper positions should be set according to JBL recommendations. If an alternate setting better suits your preference or works better for your particular installation, you may position the jumpers as you like without affecting your warranty.

Note: You may upgrade the performance of the P-432, P-532 or P-632 (when it is used as a multielement speaker) by utilizing the passive crossover contained in the P-Kit and leaving the tweeter mounted on the woofer.

Specifications

	P-432	P-532	P-632	P-9632	P-9633
	4" 2-Way or Component System with Optional P-Kit	5-1/4" 2-Way or Component System with Optional P-Kit	6-1/2" 2-Way or Component System with Optional P-Kit	6" x 9" 2-Way Component System	6" x 9" 3-Way Component System
Woofer-Cone Material	Thermalum™	Thermalum™	Thermalum™	Thermalum™	Thermalum™
Tweeter-Diaphragm Material	NeoGlass™	NeoGlass™	NeoGlass™	NeoGlass™	NeoGlass™
Frequency Response	65Hz – 22kHz	55Hz – 22kHz	45Hz – 22kHz	25Hz – 22kHz	25Hz – 22kHz
Sensitivity	90dB	90dB	91dB	92dB	92dB
Recommended Amplifier Power Range as Multielement	5W – 120W	5W – 150W	5W – 175W	5W – 250W	5W – 250W
Recommended Amplifier Power Range as Component	5W – 175W	5W – 200W	5W – 225W	N/A	N/A
Mounting Depth	2" (51mm)	2-1/4" (57mm)	2-1/2" (64mm)	3-1/8" (80mm)	3-1/8" (80mm)
	P-332	P-6432	P-7532	P-23t	P-Kit
	3-1/2" 2-Way Component System	4" x 6" 2-Way Plate	5" x 7" 2-Way or Component System with Optional P-Kit	Component Tweeter	Conversion Kit for P-432, P-532, P-632, P-7532
Woofer-Cone Material	Thermalum™	Thermalum™	Thermalum™	N/A	N/A
Tweeter-Diaphragm Material	NeoGlass™	NeoGlass™	NeoGlass™	NeoGlass™	N/A
Frequency Response	70Hz – 22kHz	65Hz – 22kHz	45Hz – 22kHz	5kHz – 22kHz	N/A
Sensitivity	89dB	90dB	91dB	91dB	N/A
Recommended Amplifier Power Range as Multielement	5W – 90W	5W – 150W	5W – 175W	(with crossover) 5W – 100W	N/A
Recommended Amplifier Power Range as Component	N/A	N/A	N/A	N/A	N/A
Mounting Depth	1-3/4" (45mm)	1-7/8" (48mm)	2-1/4" (58mm)	7/8" (23mm)	7/8" (23mm)

Declaration of Conformity



We, JBL Europe A/S
Kongevejen 194B
DK-3460 Birkerød
DENMARK

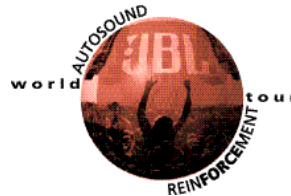
declare in own responsibility, that the products
described in this owner's manual are in compliance
with technical standards:

EN 50081-1:1992

EN 50082-1:1992

A handwritten signature in black ink, appearing to read 'Steen Michaelsen'.

Steen Michaelsen
JBL Europe A/S
Birkerød, DENMARK, 3/99



JBL Consumer Products, 250 Crossways Park Drive, Woodbury, NY 11797
800-336-4JBL (4525) www.jbl.com Part No. POWSPKRSOM Made in China

 A Harman International Company

Free Manuals Download Website

<http://myh66.com>

<http://usermanuals.us>

<http://www.somanuals.com>

<http://www.4manuals.cc>

<http://www.manual-lib.com>

<http://www.404manual.com>

<http://www.luxmanual.com>

<http://aubethermostatmanual.com>

Golf course search by state

<http://golfingnear.com>

Email search by domain

<http://emailbydomain.com>

Auto manuals search

<http://auto.somanuals.com>

TV manuals search

<http://tv.somanuals.com>