

**CS SERIES**

**CS1204B  
CS1204T**

subwoofer enclosures  
owner's manual



**THE OFFICIAL BRAND  
OF LIVE MUSIC.**

Designed and Engineered  
in the USA



**THANK YOU** for choosing a JBL CS Series subwoofer enclosure. These products have been designed to deliver great bass performance from a compact, easily installed enclosure. To get the best performance from your enclosure, we strongly recommend that installation be entrusted to a qualified professional. Although these instructions explain how to install your product in a general sense, they do not show specific installation methods that may be required for your particular vehicle. If you do not have the necessary tools or experience, do not attempt the installation yourself. Instead, please ask your authorized JBL car audio dealer about professional installation. In order that we may better serve you should you require warranty service, please retain your original sales receipt and serial number.



## INSTALLATION WARNINGS AND TIPS

**WARNING:** Playing loud music in an automobile can permanently damage your hearing as well as hinder your ability to hear traffic. We recommend listening at low levels while driving. JBL accepts no liability for hearing loss, bodily injury or property damage resulting from use or misuse of this product.

### INSTALLATION TIPS

- Always wear protective eyewear when using tools.
- Turn off all audio components and other electrical devices before you start. Disconnect the (–) negative lead from your vehicle's battery.
- Check clearances on both sides of a planned mounting surface. Be sure that screws or wires will not puncture brake lines, fuel lines or wiring harnesses, and that wire routing will not interfere with the safe operation of the vehicle.
- When making electrical connections, make sure they are secure and properly insulated.
- Before drilling or cutting holes, use a utility knife to remove unwanted fabric or vinyl, to keep material from snagging in a drill bit or saw.
- Do not mount speakers where they will get wet.
- If a fuse must be replaced, be sure to use the same type of fuse and current rating as that of the original.

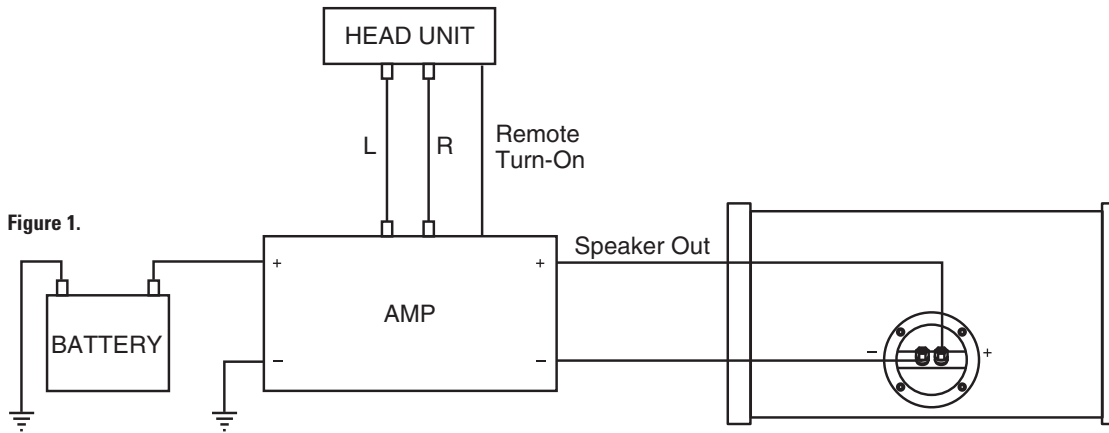
### CHOOSING A MOUNTING LOCATION FOR ENCLOSURE

Choose a mounting location that doesn't interfere with cargo, the fold-down rear seat or the trunk lid. The best location is usually a corner of the trunk or cargo area. Securely mount enclosure to the mounting surface using the supplied material.

## POWER CONNECTIONS

Connect the speaker cable to the enclosure as shown in Figure 1. Please observe the following installation tips:

Use at least 0.5mm<sup>2</sup> speaker wire for speaker-level input connections.

**JBL**

## SPECIFICATIONS

	<b>CS1204B</b>	<b>CS1204T</b>
Type	Sealed Enclosure	Bass-Reflex
Woofer	300mm (12")	300mm (12")
Power Handling, RMS	250W	250W
Power Handling, Peak	1000W	1000W
Sensitivity (2.83V/1m)	90dB	90dB
Frequency Response	40Hz – 300Hz	35Hz – 200Hz
Impedance	4 Ohms	4 Ohms
Dimensions	408mm x 380mm x 368mm (L x D x H)	346mm x 660mm (Diam. x Length)

### GENERAL CARE

The loudspeaker grilles may be cleaned with a damp cloth. Do not use any cleaners or solvents on the grilles or the speaker cones.

A valid serial number is required for warranty coverage.

Features, specifications and appearance are subject to change without notice.

This product is designed for mobile applications and is not intended for connection to the mains.

JBL Consumer Products  
2 route de Tours, 72500 Château du Loir, France  
www.jbl.com

© 2006 Harman International Industries, Incorporated. All rights reserved.

JBL and Harman International are trademarks of  
Harman International Industries, Incorporated,  
registered in the United States and/or other countries.

Part No. CS1204BTOM 1/06

**H** A Harman International® Company




#### Declaration of Conformity



We, Harman Consumer Group International  
2, route de Tours  
72500 Château du Loir  
France

declare in own responsibility that the products described in this owner's  
manual are in compliance with technical standards:

EN 61000-6-3:2001  
EN 61000-6-1:2001

  
Klaus Lebherz  
Harman Consumer Group International  
Château du Loir, France 1/06

www.jbl.com

## Free Manuals Download Website

<http://myh66.com>

<http://usermanuals.us>

<http://www.somanuals.com>

<http://www.4manuals.cc>

<http://www.manual-lib.com>

<http://www.404manual.com>

<http://www.luxmanual.com>

<http://aubethermostatmanual.com>

Golf course search by state

<http://golfingnear.com>

Email search by domain

<http://emailbydomain.com>

Auto manuals search

<http://auto.somanuals.com>

TV manuals search

<http://tv.somanuals.com>