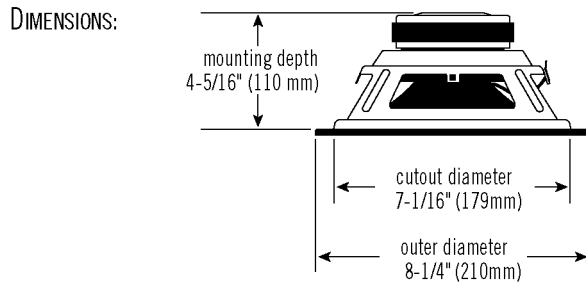


GTO 804 8" Woofer – Technical Data

SPECIFICATIONS

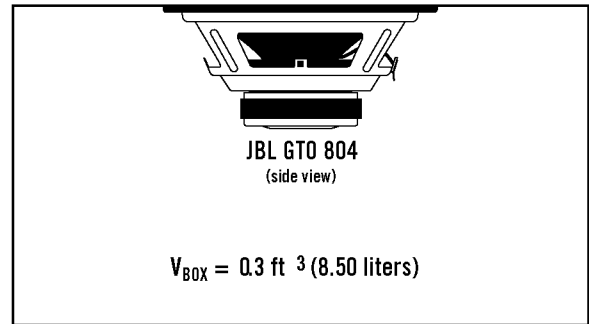
DIAMETER:	8" (203mm)
SENSITIVITY (2.83 V @ 1 m):	91 dB
POWER HANDLING:	200 W _{RMS} 800 W _{PEAK}
FREQUENCY RESPONSE:	30 ~ 400 Hz
NOMINAL IMPEDANCE:	4 OHMS
VOICE-COIL DIAMETER:	2.0" (51.0 mm)



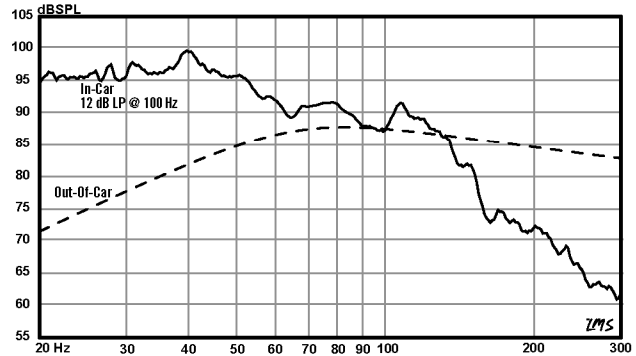
THIELE-SMALL PARAMETERS

VOICE COIL DC RESISTANCE:	R_{EVC} (OHMS) 3.49
VOICE COIL INDUCTANCE @ 1 kHz:	L_{EVC} (MH) 1.64
DRIVER RADIATING AREA:	S_D (IN ²) 33.17
	S_D (M ²) 214.00
MOTOR FORCE FACTOR:	BL (TM) 12.88
COMPLIANCE VOLUME:	V_{AS} (FT ³) 0.58
	V_{AS} (LITERS) 16.42
SUSPENSION COMPLIANCE:	C_{MS} (μM/N) 251.00
MOVING MASS, AIR LOAD:	M_{MS} (GRAMS) 115.00
MOVING MASS, DIAPHRAGM:	M_{MD} (GRAMS) 113.20
FREE-AIR RESONANCE:	F_S (Hz) 29.60
MECHANICAL Q:	Q_{MS} 6.37
ELECTRICAL Q:	Q_{ES} 0.450
TOTAL Q:	Q_{TS} 0.42
MAGNETIC-GAP HEIGHT:	H_{AG} (IN) 3/8
	H_{AG} (MM) 9.00
VOICE-COIL HEIGHT:	H_{VC} (IN) 1-1/4
	H_{VC} (MM) 32
MAXIMUM EXCURSION:	X_{MAX} (IN) 7/16
	X_{MAX} (MM) 11.50

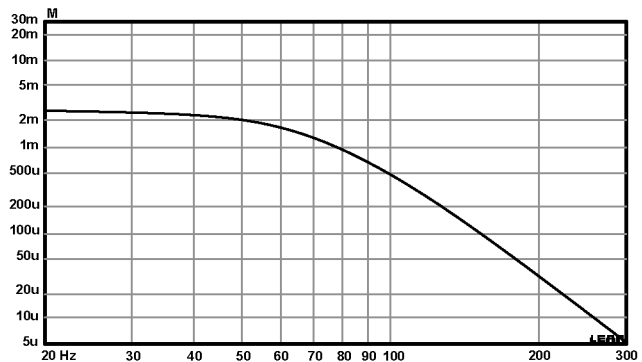
SEALED BOX VOLUME (INCLUDES DRIVER DISPLACEMENT)

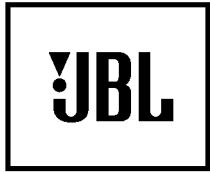


SEALED ENCLOSURE FREQUENCY RESPONSE @ 2.83 V



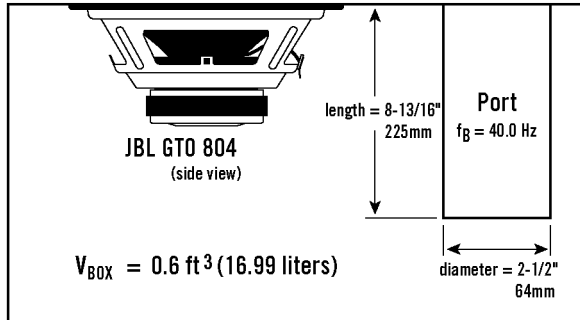
SEALED ENCLOSURE CONE EXCURSION @ 200 W



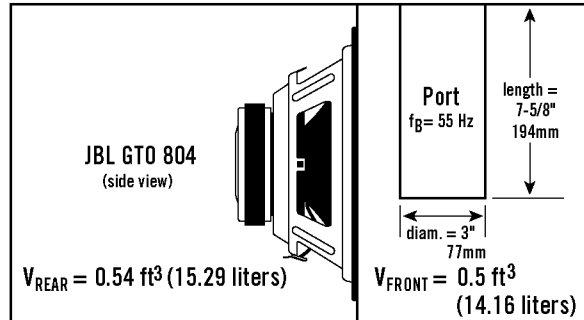


GTO 804 8" Woofer – Technical Data

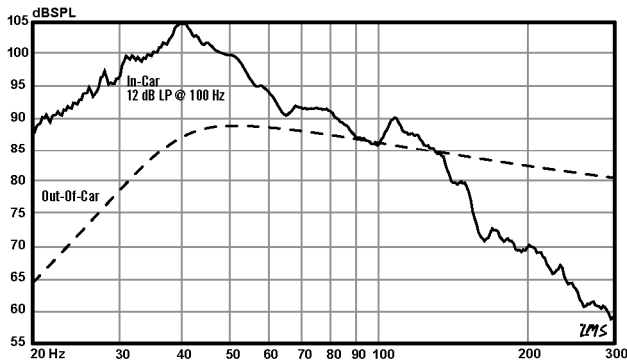
VENTED BOX VOLUME (INCLUDES DRIVER/PORT DISPLACEMENTS)



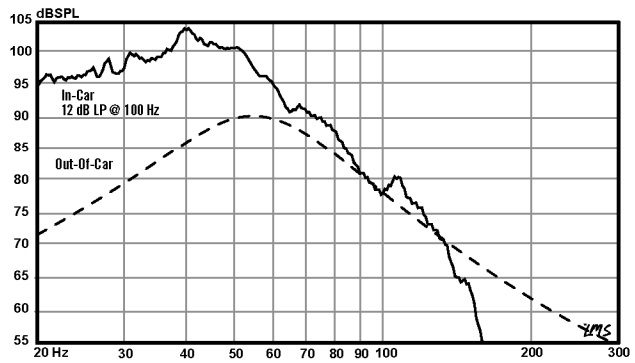
BANDPASS BOX VOLUME (INCLUDES DRIVER/PORT DISPLACEMENTS)



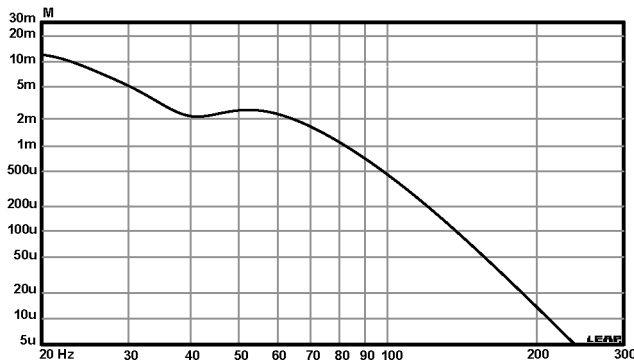
VENTED ENCLOSURE FREQUENCY RESPONSE @ 2.83 V



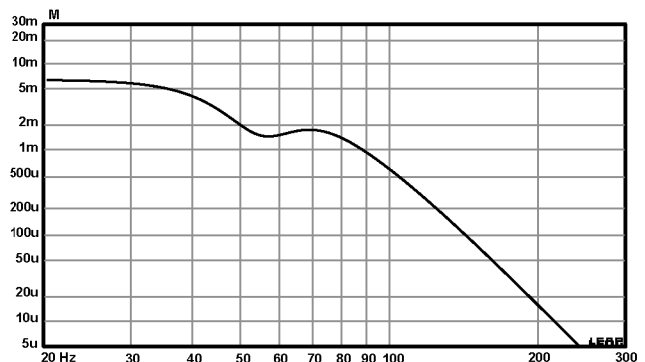
BANDPASS ENCLOSURE FREQUENCY RESPONSE @ 2.83 V



VENTED ENCLOSURE CONE EXCURSION @ 200 W



BANDPASS ENCLOSURE CONE EXCURSION @ 200 W



Free Manuals Download Website

<http://myh66.com>

<http://usermanuals.us>

<http://www.somanuals.com>

<http://www.4manuals.cc>

<http://www.manual-lib.com>

<http://www.404manual.com>

<http://www.luxmanual.com>

<http://aubethermostatmanual.com>

Golf course search by state

<http://golfingnear.com>

Email search by domain

<http://emailbydomain.com>

Auto manuals search

<http://auto.somanuals.com>

TV manuals search

<http://tv.somanuals.com>