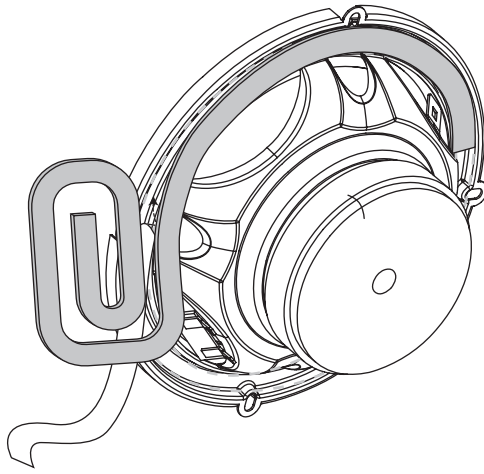
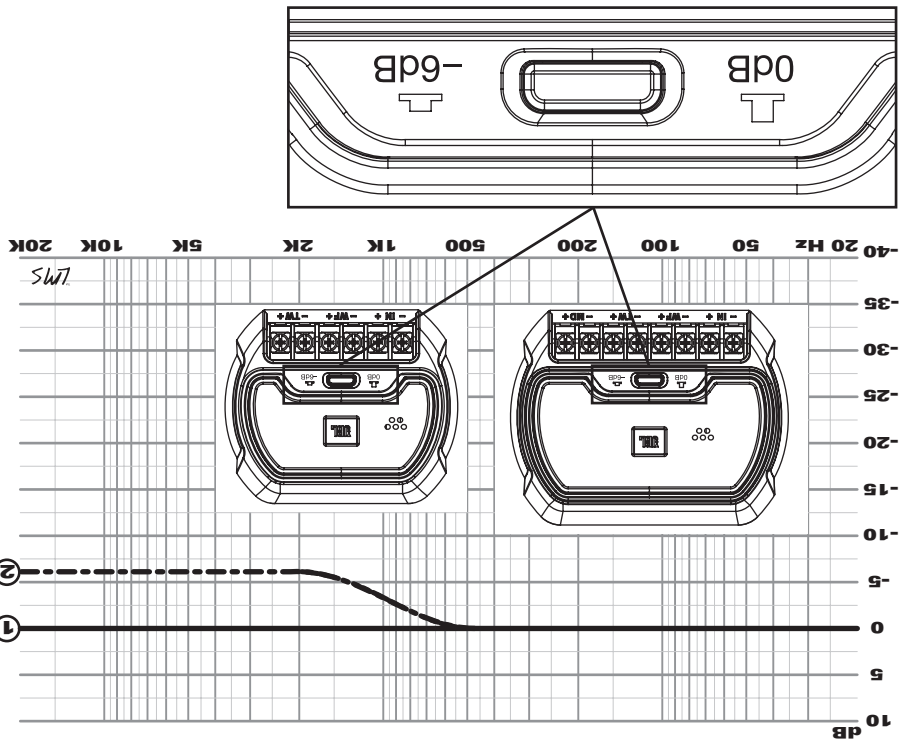
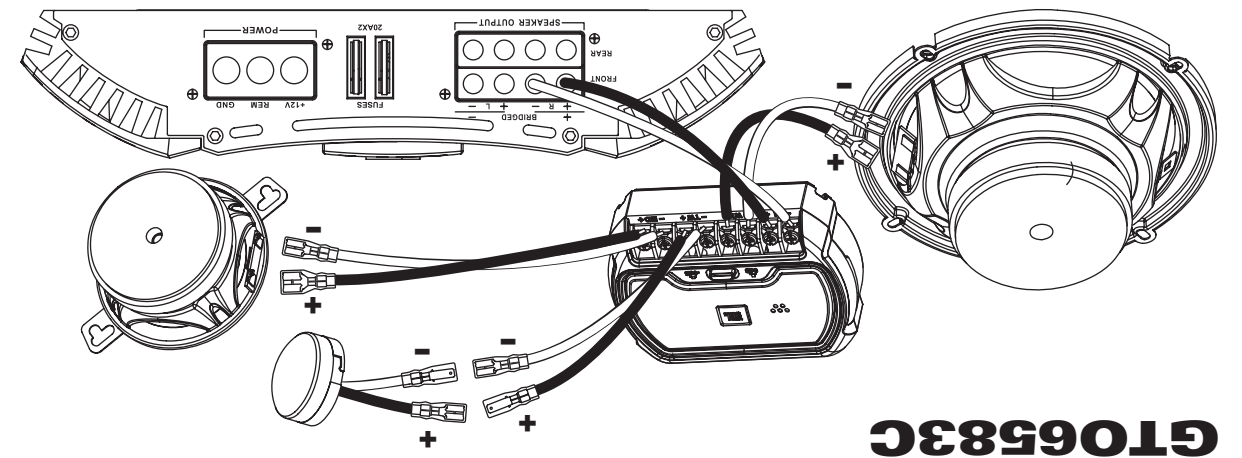


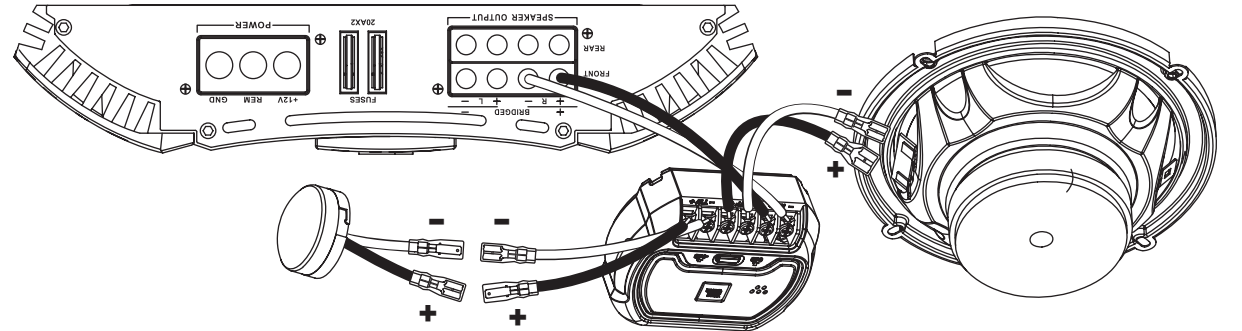
1 High Cut = 0dB 2 High Cut = -6dB



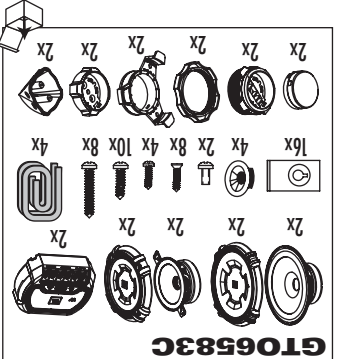
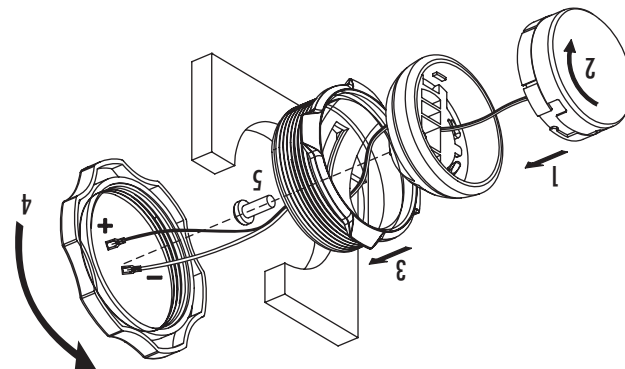
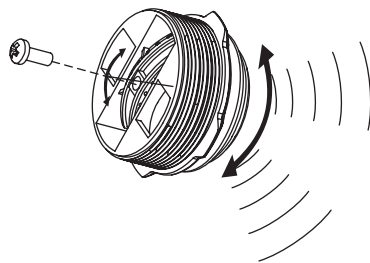
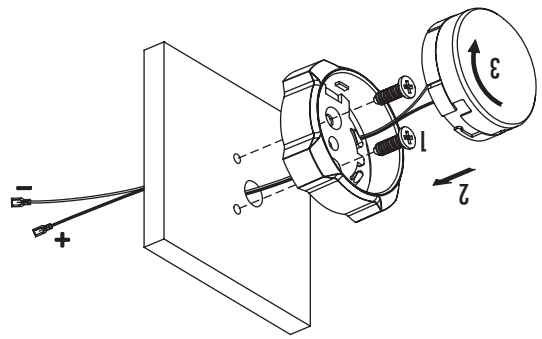
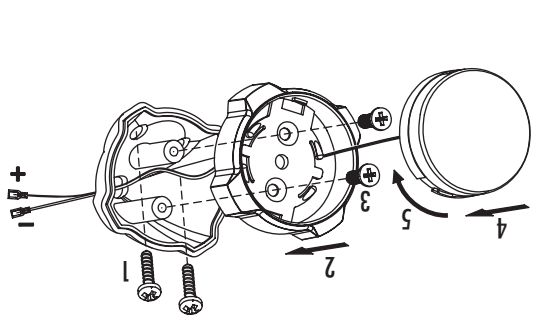
**GT0508C, GT0608C,  
GT06508C, GT08608C,  
GT06583C**



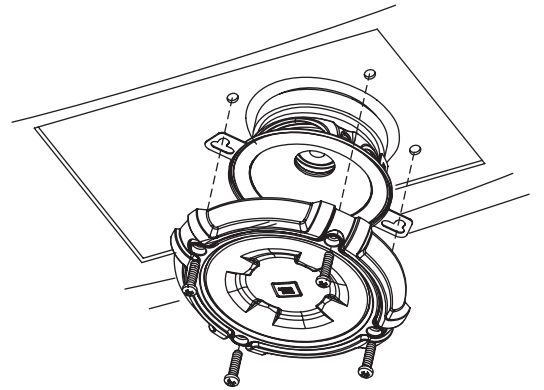
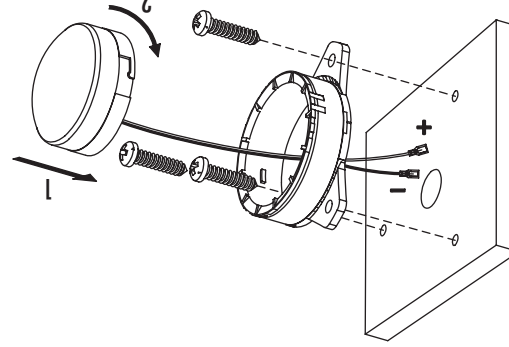
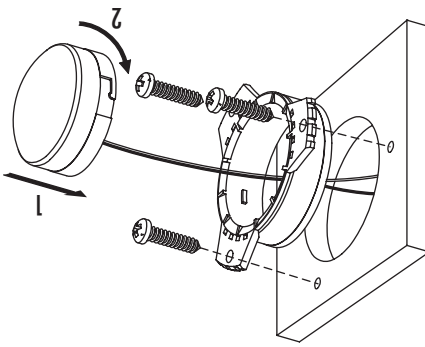
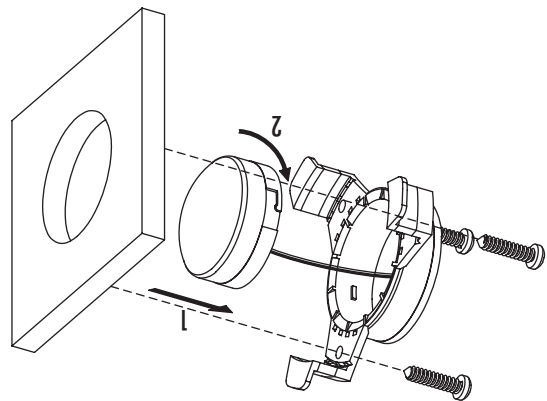
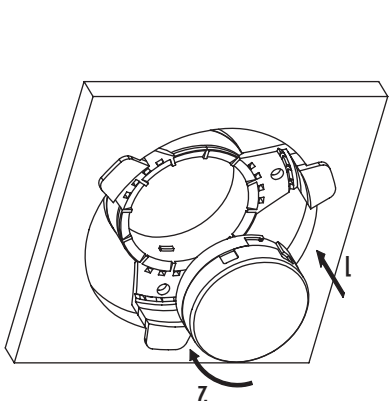
**GT06583C**



**GT0508C, GT0608C,  
GT06508C, GT08608C**

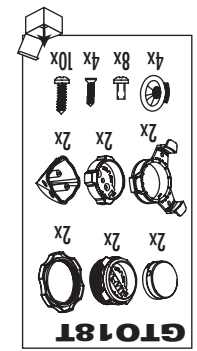


**GT06583C**

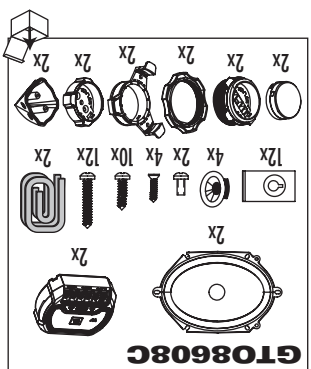
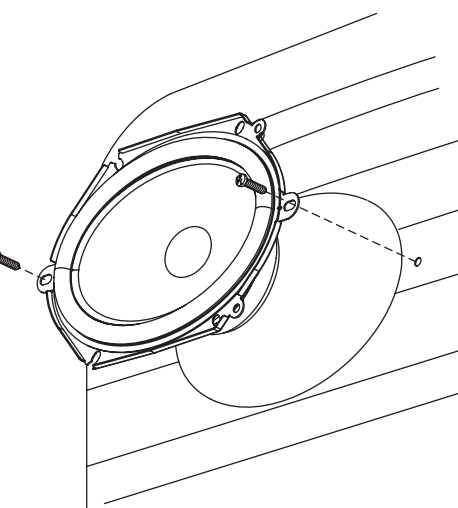


**3-1/2"/87mm  
(GT06583C)**

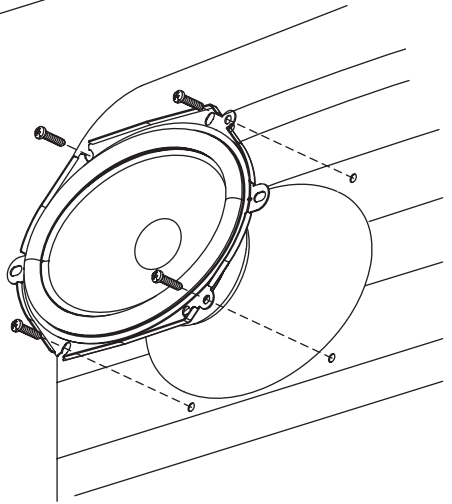
**GT018T (GT0508C, GT0608C, GT06508C, GT08608C, GT06583C)**



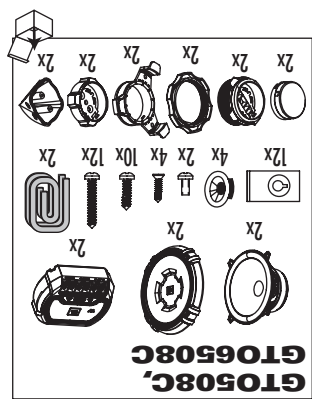
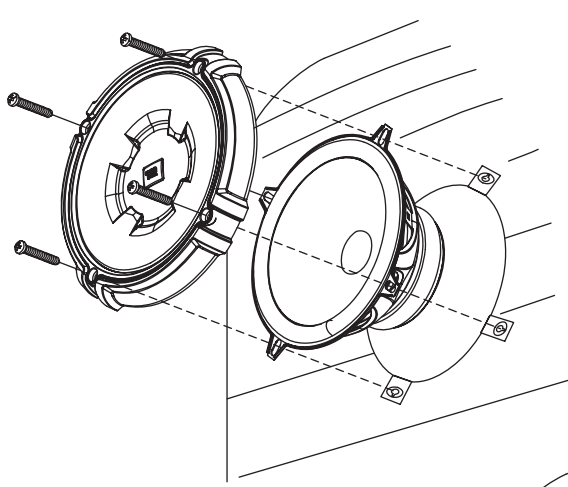
**GT018T**



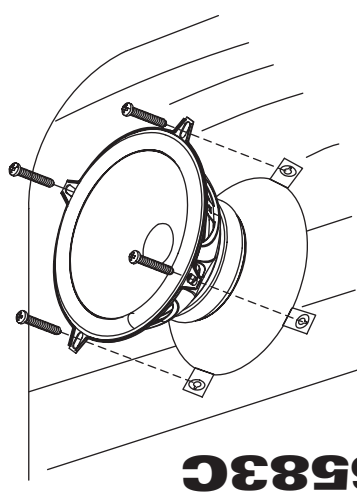
**GT08608C**



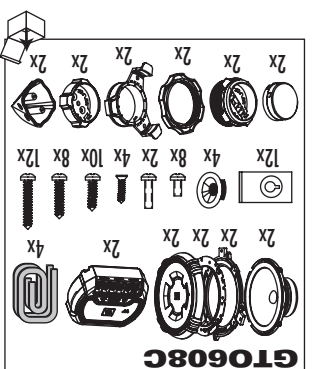
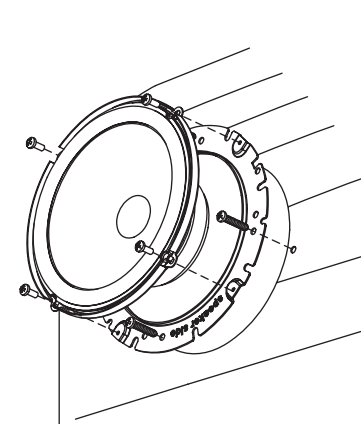
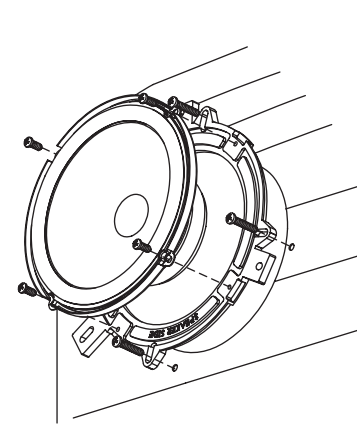
**GT08608C**



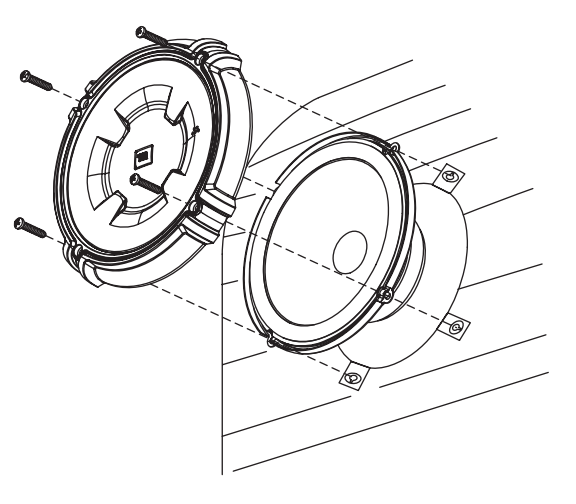
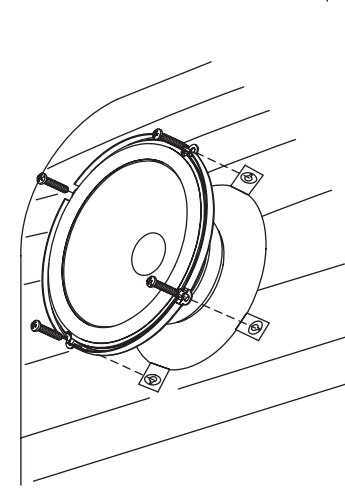
**GT0508C,  
GT06508C,  
GT06583C**



**GT0508C, GT06508C,  
GT06583C**



**GT0608C**



**GT0608C**

Designed and engineered in the USA.  
A valid serial number is required for warranty coverage.  
Features, specifications and appearance are subject to change without notice.  
These products are designed for mobile applications and are not intended for connection to the mains.  
Harman Consumer Group, Inc., 250 Crossways Park Drive, Woodbury, NY 11797 USA • www.jbl.com  
© 2008 Harman International Industries, Incorporated. All rights reserved. Part No. GT00MP004/08  
JBL and Grand Touring are trademarks of Harman International Industries, Incorporated, registered in the United States and/or other countries.  
H A Harman International Company

Declaration of Conformity  
**CE**  
We, Harman Consumer Group, Inc.  
2, route de Tours  
72500 Château du Loir  
France  
declare in own responsibility that the products described in this owner's manual are in compliance with technical standards:  
EN 61000-6-3:2001  
EN 61000-6-1:2001  
Klaus Leberitz  
Harman Consumer Group, Inc.  
Château du Loir, France 4/08



www.jbl.com

Download from WwW.Somanuals.com Manuals Search And Download.

**GRAND  
TOURING®  
SERIES**

**GT0508C  
GT0608C  
GT06508C  
GT08608C  
GT06583C  
GT018T**





## Free Manuals Download Website

<http://myh66.com>

<http://usermanuals.us>

<http://www.somanuals.com>

<http://www.4manuals.cc>

<http://www.manual-lib.com>

<http://www.404manual.com>

<http://www.luxmanual.com>

<http://aubethermostatmanual.com>

Golf course search by state

<http://golfingnear.com>

Email search by domain

<http://emailbydomain.com>

Auto manuals search

<http://auto.somanuals.com>

TV manuals search

<http://tv.somanuals.com>