

N26/26AW



ACOUSTIC & ELECTRICAL SPECIFICATIONS:

- Nominal Impedance 8 ohms
- Max Amp Power 125 watts
- Frequency Response 55Hz – 20kHz
- Sensitivity 88dB (1 watt @ 1 meter)
- Crossover Frequency 3000 Hz

SYSTEM COMPONENTS:

- Enclosure N26/26W (Not for Sale)
- Grille N26 Gray X06576
N26AW White X06579
- Low Frequency Transducer N26 – 6" Polyplas™, shielded (NS-W6.25SS)
N26AW – 6" WeatherPlas™ (NS-W6.25SS-03-1)
- DC Resistance 4.8 ohms ±10%
- High Frequency Transducer N26 – ¾" Titanium-laminate Dome, shielded A12B20DM-01DT
N26AW – ¾" Titanium-laminate Dome A12B20DM-02DT
- DC Resistance 3.0 ohms ±10%

- Crossover Network XR0182

AURAL SWEEP TEST SPECIFICATIONS:

- A. System Aural Sweep Test 6.0V Input 50 Hz to 20 kHz
- B. L.F. Aural Sweep Test 6.0V Input 50 Hz to 4 kHz
- D. H.F. Aural Sweep Test 2.83V Input 2 kHz to 20 kHz

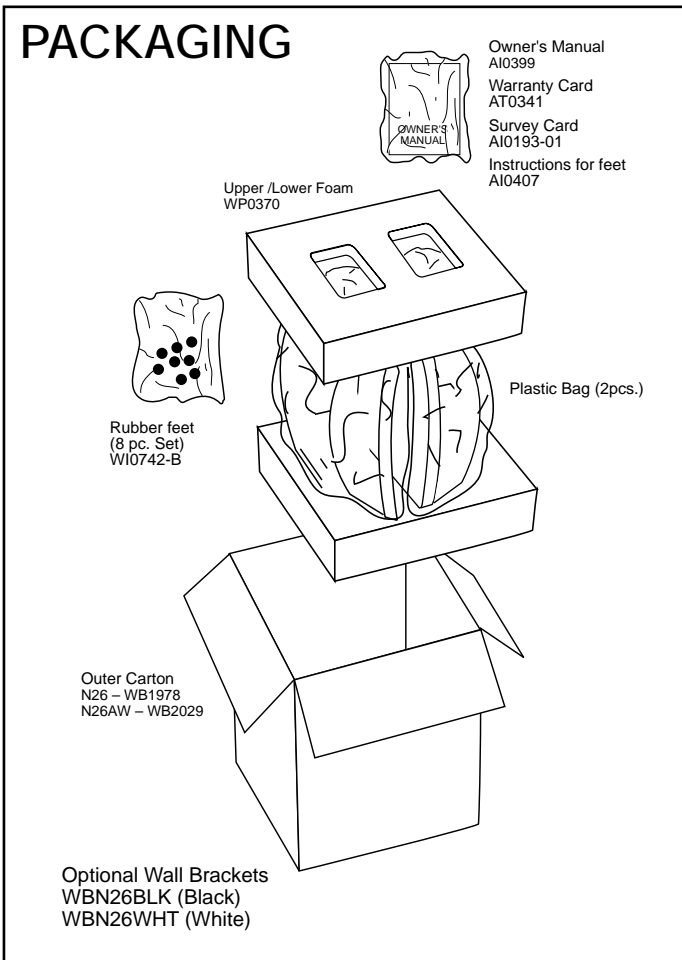
PHYSICAL SPECIFICATIONS:

- Enclosure dimensions: 14½ x 10¾ x 7¾" (H x W x D)
368 x 273 x 197mm
- Weight 16.6 lbs/7.5kg – Sold in Pairs

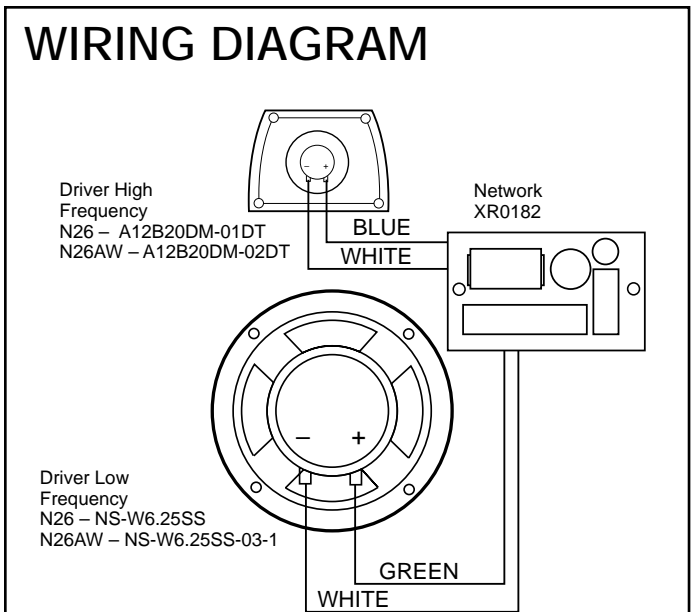
WARRANTY:

- Refer to Warranty Statement packed with each product.

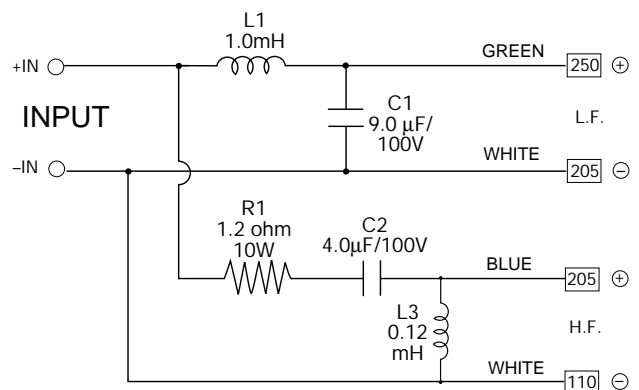
PACKAGING



WIRING DIAGRAM



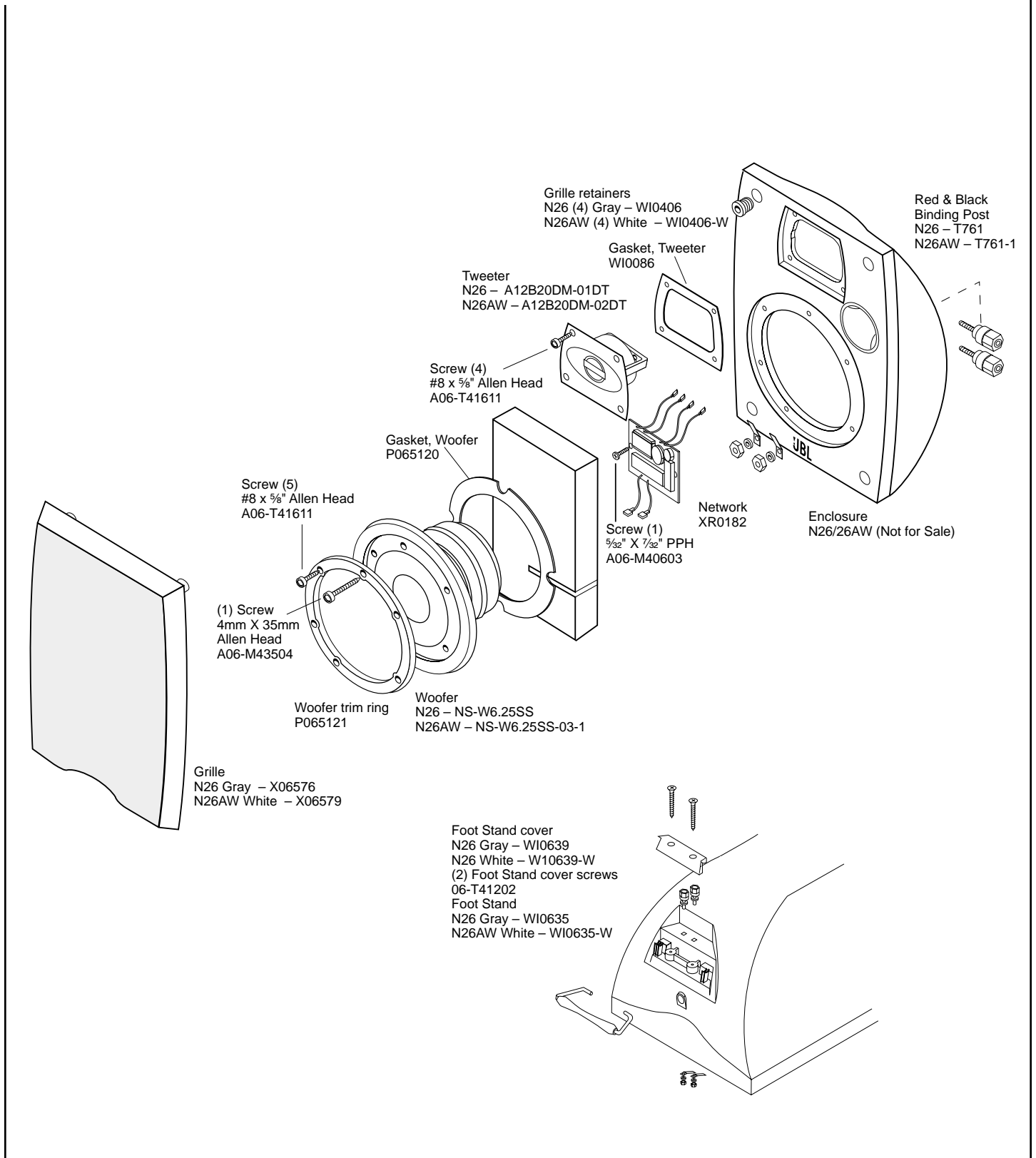
N26/26AW SCHEMATIC



N26/26AW

N26/26AW

EXPLODED VIEW



N26/26AW

Free Manuals Download Website

<http://myh66.com>

<http://usermanuals.us>

<http://www.somanuals.com>

<http://www.4manuals.cc>

<http://www.manual-lib.com>

<http://www.404manual.com>

<http://www.luxmanual.com>

<http://aubethermostatmanual.com>

Golf course search by state

<http://golfingnear.com>

Email search by domain

<http://emailbydomain.com>

Auto manuals search

<http://auto.somanuals.com>

TV manuals search

<http://tv.somanuals.com>