

## Key Features

- ▶ THX certified L, C, R loudspeaker.
- ▶ 2" titanium compression driver – shielded.
- ▶ Bi-radial horn – 80 degrees vertical, 100 degrees horizontal.
- ▶ (2) 6.5" Poron-fiber-cone, cast-frame woofers – shielded.
- ▶ Vertical orientation.
- ▶ Easily placed behind perforated screens.
- ▶ Black ash semi-gloss finish.
- ▶ Front ported enclosure for easy installation as free standing or built-in.



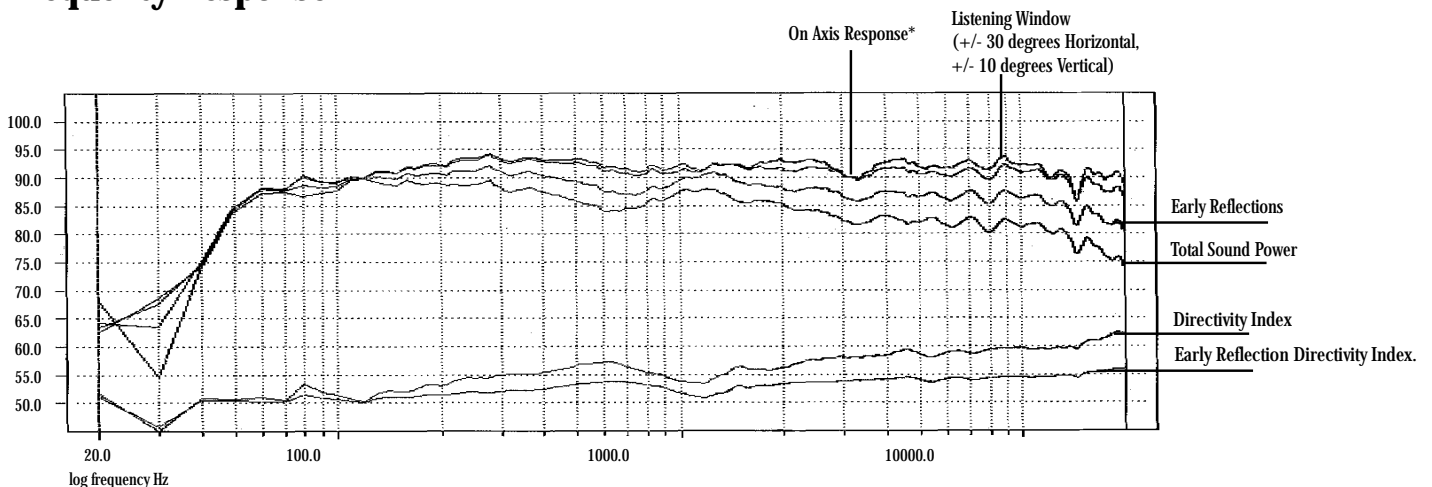
## Description

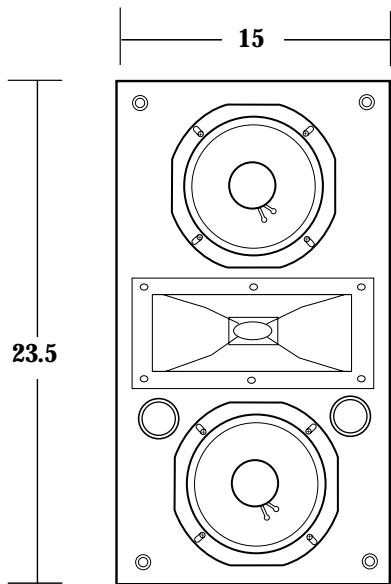
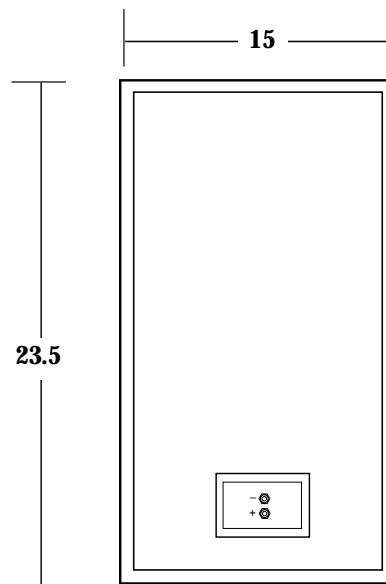
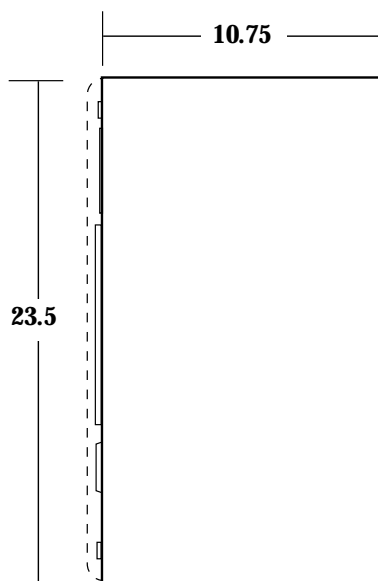
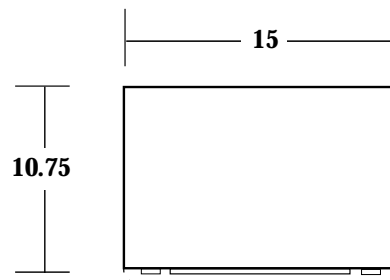
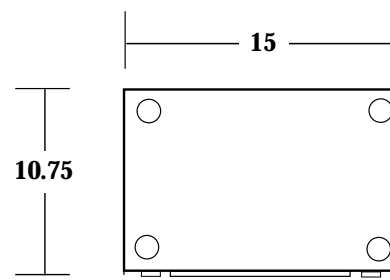
- ▶ Synthesis 2 vertical front loudspeaker.

## Specifications

Frequency Response	80 Hz - 17 kHz
Sensitivity	91 dB (1 watt @ 1 meter)
Recommended Maximum Amplifier Power	150 Watts
Nominal Impedance	8 Ohms
High Frequency Transducer	2" Pure Titanium Compression Driver
Crossover Frequency	2.8 kHz
Low Frequency Transducer	6.5" Cone Transducer
Weight	65 lbs. /29.5 kg.
Dimensions (H x W x D)	23.5" x 15" x 10.78" 597mm x 381mm x 274mm

## Frequency Response



**Front****Back****Side****Top****Footprint**

All measurements in inches

**H** A Harman International CompanyJBL SIS Products Group: Tel 818-830-8757 Fax 818-891-6894  
8500 Balboa Boulevard, Northridge, CA 91329  
250 Crossways Park Drive, Woodbury, NY 11797

## Free Manuals Download Website

<http://myh66.com>

<http://usermanuals.us>

<http://www.somanuals.com>

<http://www.4manuals.cc>

<http://www.manual-lib.com>

<http://www.404manual.com>

<http://www.luxmanual.com>

<http://aubethermostatmanual.com>

Golf course search by state

<http://golfingnear.com>

Email search by domain

<http://emailbydomain.com>

Auto manuals search

<http://auto.somanuals.com>

TV manuals search

<http://tv.somanuals.com>