



250 Crossways Park Drive, Woodbury, NY 11797
516.496.3400
H A Harman International Company

JBL SYNTHESIS S4S/S4SBB IN-WALL SUBWOOFER

NOVEMBER 29, 2006

Page 1 of 2

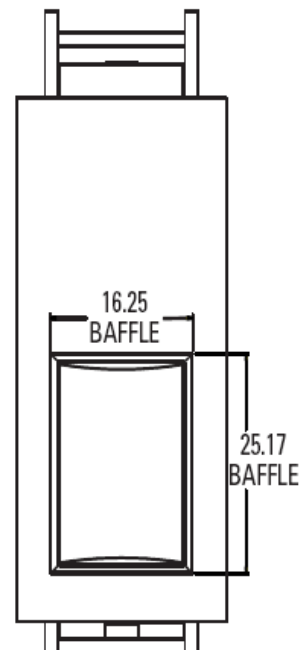
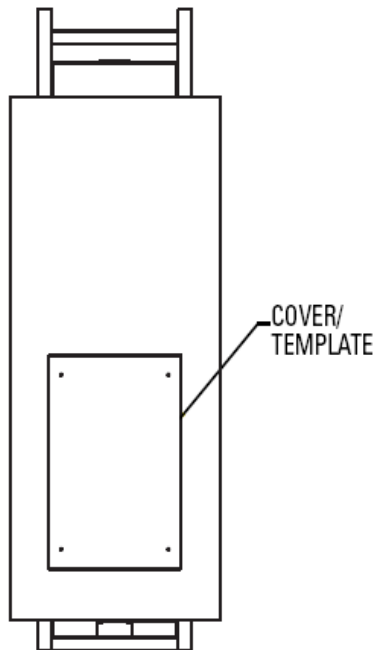
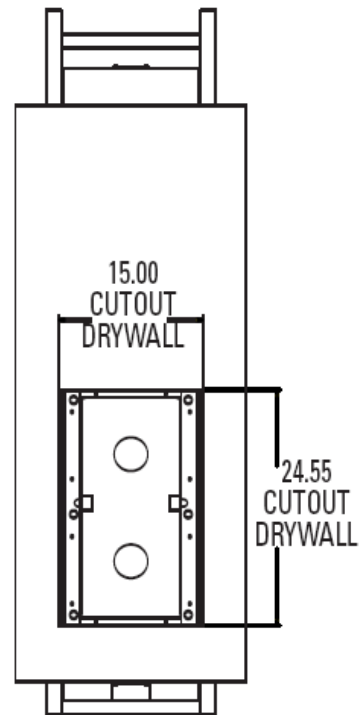
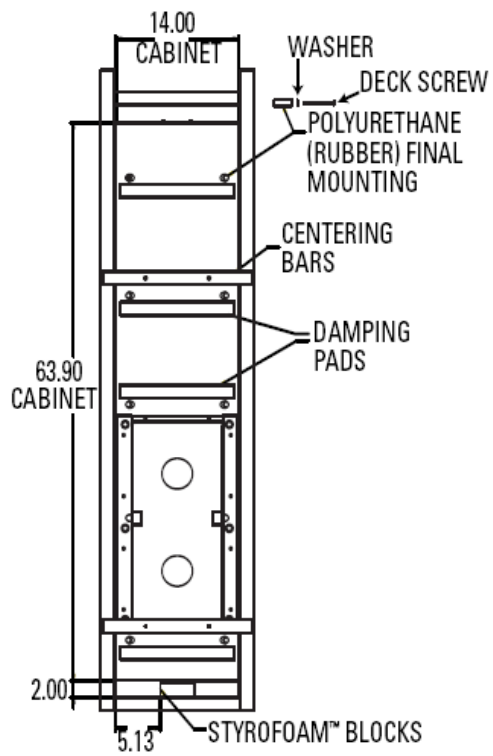
Specs

Frequency Response	20Hz – 150Hz (THX®/LFE mode)(-6dB)
Maximum Recommended Amplifier Power	500 Watts per channel
Impedance	4 Ohms nominal
Sensitivity	88dB (2.83V/1m), both woofers driven
Woofer	Dual 10" polymer-coated aluminum cones w/rubber surrounds
Cutout Dimensions (H x W)	15" x 24.55" (381mm x 624mm)
Mounting Depth	64" x 14" x 5.1" (1626mm x 356mm x 130mm) mounted in S4SBB enclosure, not including Styrofoam™ blocks.
Back Box	A complete S4S loudspeaker system includes the S4S in-wall subwoofer and the S4SBB back box, which must be purchased separately.
Weight per Speaker	24 lb (10.9kg)

Details

A single S4S subwoofer system meets THX® Select requirements for a 3000-cubic-foot room. However, to meet THX Ultra2™ requirements for a 3000-cubic-foot room, two or more S4S subwoofer systems are required, using a total of four woofers. For every additional 3000 cubic feet of room volume, it is recommended that one additional S4S system be added.





Free Manuals Download Website

<http://myh66.com>

<http://usermanuals.us>

<http://www.somanuals.com>

<http://www.4manuals.cc>

<http://www.manual-lib.com>

<http://www.404manual.com>

<http://www.luxmanual.com>

<http://aubethermostatmanual.com>

Golf course search by state

<http://golfingnear.com>

Email search by domain

<http://emailbydomain.com>

Auto manuals search

<http://auto.somanuals.com>

TV manuals search

<http://tv.somanuals.com>