

SRX700

SRX700 Series User's Guide



Part Number: 354538-002

CONTENTS

Before You Begin - Important Information..... 3

Product Specifications..... 4-7

Recommended Amplifier Power & Infrasonic Filter Settings..... 7

Processor Tunings, DuraFlex™ Finish & Removable JBL Logo Badge..... 7

Input Panel and Block Diagram..... 8

Flying and Suspension..... 9-11

JBL Professional Warranty and Contact Information..... 12

Explanation of Graphic Symbols



The exclamation point within an equilateral triangle is intended to alert the users to the presence of important operating and maintenance (servicing) instructions in the literature accompanying the product.



The lightning flash with the arrowhead symbol, within an equilateral triangle, is to alert the user to the presence of insulated “dangerous voltage” within the products enclosure that may be of sufficient magnitude to constitute a risk of electric shock to humans.



CAUTION: TO REDUCE THE RISK OF ELECTRONIC SHOCK - DO NOT REMOVE COVER. NO USER SERVICEABLE PARTS INSIDE. REFER SERVICING TO QUALIFIED PERSONNEL.



ATTENTION: POUR EVITER LES RISQUES DE CHOC ELECTRIQUE, NE PAS ENLEVER LE COUVERCLE. AUCUN ENTRETIEN DE PIECES INTERIEURES PAR L'USAGER. CONFIER L'ENTRETIEN AU PERSONNEL QUALIFIE. AVIS: POUR EVITER LES RISQUES D'INCENDIE OU D'ELECTROCUTION, N'EXPOSEZ PAS CET ARTICLE A LA PLUIE OU A L'HUMIDITE.



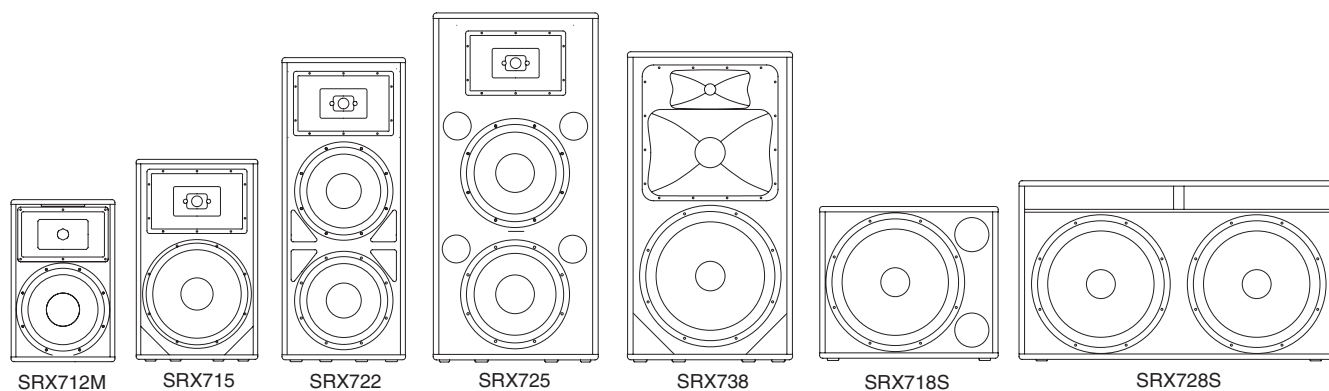
The IEC fuse symbol pictured at the left represents an approved user replaceable fuse. When replacing a fuse, make sure to replace with only the correct type and fuse rating.

Important Safety Instructions

1. Read these instructions.
2. Keep these instructions.
3. Heed all warnings.
4. Follow all instructions.
5. Do not use this apparatus near water.
6. Clean only with a dry cloth.
7. Do not block any ventilation openings. Install in accordance with manufacturer's instructions.
8. Do not install near any heat sources such as radiators, heat registers, stoves, or other apparatus that produce heat.
9. Do not defeat the safety purpose of the polarized or grounding-type plug. A polarized plug has two blades with one wider than the other. A grounding-type has two blades and a third grounding prong. The wide blade or the third prong is provided for your safety. If the provided plug does not fit your outlet, consult a electrician for replacement of the obsolete outlet.
10. Protect the power cord from being walked on or pinched, particularly at plugs, convenience receptacles, and the point where they exit the apparatus.
11. Only use attachments / accessories specified by the manufacturer.
12. Use only with a cart, stand, bracket, or table specified by the manufacturer or sold with the apparatus. When a cart is used, use caution when moving the cart / apparatus combination to avoid injury from tip-over.
13. Unplug this apparatus during lightning storms or when un-used for long periods of time.
14. Refer all servicing to qualified service personnel. Servicing is required when an apparatus has been damaged in any way, such as power-cord or plug is damaged, liquid has been spilled, or objects have fallen into the apparatus, the apparatus has been exposed to rain or moisture, does not operate normally, or has been dropped.
15. To reduce the risk of fire or electric shock, do not expose this apparatus to rain or moisture.



BEFORE YOU BEGIN



The SRX700 speakers covered by this manual are not intended for fixed installation in outdoor or high moisture environments. Moisture can damage the speaker cone and surround and cause corrosion of electrical contacts and metal parts. Avoid exposing the speakers to direct moisture. Keep speakers out of extended or intense direct sunlight. The driver suspension will prematurely dry out and finished surfaces may be degraded by long-term exposure to intense ultra-violet (UV) light.

SRX700 speakers can generate considerable energy. When placed on a slippery surface such as polished wood or linoleum, the speaker may move due to its acoustical energy output. Precautions should be taken to assure that the speaker does not fall off a stage or table on which it is placed.

Stand mounting safety precautions

Some SRX700 models include a 35 mm receptacle cup to allow mounting on tripod stands or on a pole over subwoofers. When using stands or poles, be sure to observe the following precautions:

- ⚡ Check the stand or pole specification to be certain the device is designed to support the weight of the speaker. Observe all safety precautions specified by the manufacturer.
- ⚡ Always verify that the stand (or subwoofer / pole) is placed on a flat, level, and stable surface and be sure to fully extend the legs of tripod type stands. Position the stand so that the legs do not present a trip hazard.
- ⚡ Route cables so that performers, production crew, and audience will not trip and topple the speakers over.
- ⚡ Inspect the stand (or pole and associated hardware) before each use and do not use equipment with worn, damaged, or missing parts.
- ⚡ Do not attempt to place more than one SRX700 speaker on a stand or pole.
- ⚡ Always be cautious in windy, outdoor conditions. It may be necessary to place additional weight (i.e. sand bags) on the base of the stand to improve stability. Avoid attaching banners or similar items to any part of a speaker system. Such attachments could act as a sail and topple the system.
- ⚡ Unless you are confident that you can handle the weight of the speaker, ask another person to help you get it onto the tripod stand or pole.

Hearing damage, prolonged exposure to excessive SPL

SRX700 loudspeakers are easily capable of generating sound pressure levels (SPL) sufficient to cause permanent hearing damage to performers, production crew and audience members. Caution should be taken to avoid prolonged exposure to SPL in excess of 90 dB.

SPECIFICATIONS

SRX712M - 12", two-way, bass-reflex, stage-monitor / utility

Frequency Range (-10 dB):	70 Hz - 20 kHz
Frequency Response (± 3 dB):	83 Hz - 18 kHz
Coverage Pattern:	90° x 50° nominal
Crossover Modes:	Bi-amp / passive, externally switchable
Crossover Frequency:	1.2 kHz
Power Rating (Continuous ¹ / Program/ Peak):	Passive: 800 W / 1600 W / 3200 W Bi-amp LF: 800 W / 1000 W / 3200 W Bi-amp HF: 75 W / 150 W / 300 W
Maximum SPL ² :	131 dB SPL peak
System Sensitivity (1w @ 1m):	96 dB SPL (passive mode)
LF Driver:	1 x JBL 2262H 305 mm (12 in) Differential Drive [®] woofer with neodymium-magnet and dual voice-coils
HF Driver:	1 x JBL 2431H 75 mm (3 in) voice-coil, neodymium-magnet compression driver
Nominal Impedance:	Passive: 8 ohm Bi-amp LF: 8 ohms Bi-amp HF: 8 ohms
Active Tunings:	dbx DriveRack, all models. Settings available at www.jblpro.com
Enclosure:	Symmetrical stage monitor, 15 mm, 11-ply birch plywood.
Suspension / Mounting:	Dual angle, 35 mm pole socket 2 x M10 fittings for optional SRX712M-YK yoke
Transport:	Integrated handle / input cup
Finish:	Black DuraFlex™ finish
Grille:	Powder coated, black, 16-gauge perforated steel with acoustically transparent charcoal foam backing
Input Connectors:	Neutrik [®] Speakon [®] NL-4 (x2), one on each end
Dimensions (H x W x D):	349 mm x 546 mm x 260 mm (13.75 in x 21.5 in x 10.25 in)
Net Weight:	15 kg (33 lb)
Optional Accessories:	SRX712M-CVR: Pull-over padded cover SRX712M-YK: Suspension, mounting yoke SS2-BK: tripod speaker stand SS3-BK: satellite speaker pole, 35 mm diamter, 41 in (1041 mm)

SRX715 - 15", two-way, bass-reflex (suspendable version, SRX715F)

Frequency Range (-10 dB):	43 Hz - 20 kHz
Frequency Response (± 3 dB):	53 Hz - 20 kHz
Coverage Pattern:	75° x 50° nominal
Crossover Modes:	Bi-amp / passive, externally switchable
Crossover Frequency:	1.2 kHz
Power Rating (Continuous ¹ /Program/Peak):	Passive: 800 W / 1600 W / 3200 W Bi-amp LF: 800 W / 1600 W / 3200 W Bi-amp HF: 75 W / 150 W / 300 W
Maximum SPL ² :	131 dB SPL peak
System Sensitivity (1w @ 1m):	96 dB SPL (passive mode)
LF Driver:	1 x JBL 2265H 380 mm (15 in) Differential Drive [®] woofer with neodymium-magnet and dual voice-coils
HF Driver:	1 x JBL 2431H 75 mm (3 in) voice-coil, neodymium-magnet compression driver
Nominal Impedance:	Passive: 8 ohms Bi-amp LF: 8 ohms Bi-amp HF: 8 ohms
Active Tunings:	dbx DriveRack, all models. Settings available at www.jblpro.com
Enclosure:	Trapezoidal, 15 mm, 11-ply birch plywood
Suspension / Mounting:	Dual-angle (0° or -10°) 35 mm pole socket 5 x suspension points, M10 or optional fly track kit (F version only)
Transport:	2 x steel handles
Finish:	Black DuraFlex™ finish
Grille:	Powder coated, black, 16-gauge perforated steel with acoustically transparent charcoal foam backing
Input Connectors:	Neutrik [®] Speakon [®] NL-4 (x2)
Dimensions (H x W x D):	711 mm x 439 mm x 406 mm (28 in x 17.3 in x 16 in)
Net Weight:	22 kg (48 lb)
Optional Accessories:	SRX715-CVR: Pull-over padded cover SRX-FF3: Flying hardware kit (for use with F versions only) 229-00009-01: Suspension kit, includes 3 x 10 mm forged eyebolts & washers (for use with F versions only) SS2-BK: tripod speaker stand SS3-BK: satellite speaker pole, 35 mm diamter, 41 in (1041 mm)

¹ IEC filtered noise with 6 dB crest factor.

² Calculated based on peak power rating and sensitivity, 1 m.

SRX722 - Dual 12", two-way, bass-reflex (suspendable version, SRX722F)

Frequency Range (-10 dB):	72 Hz - 20 kHz
Frequency Response (±3 dB):	81 Hz - 20 kHz
Coverage Pattern:	75° x 50° nominal
Crossover Modes:	Bi-amp / passive, externally switchable
Crossover Frequency:	1.2 kHz
Power Rating (Continuous ¹ /Program/Peak):	Passive: 1200 W / 2400 W / 4800 W Bi-amp LF: 1200 W / 2400 W / 4800 W Bi-amp HF: 75 W / 150 W / 300 W
Maximum SPL ² :	135 dB SPL peak
System Sensitivity (1w @ 1m):	97 dB SPL (passive mode)
LF Driver:	2 x JBL 2262H 305 mm (12 in) Differential Drive [®] woofer with neodymium-magnet and dual voice-coils
HF Driver:	1 x JBL 2451H 102 mm (4 in) voice-coil, neodymium-magnet compression driver
Nominal Impedance:	Passive: 4 ohms Bi-amp LF: 4 ohms Bi-amp HF: 8 ohms
Active Tunings:	dbx DriveRack, all models. Settings available at www.jblpro.com
Enclosure:	Trapezoidal, 15 mm, 11-ply birch plywood
Suspension / Mounting:	5 x suspension points, M10 or optional track kit (F version only)
Transport:	2 x steel handles
Finish:	Black DuraFlex™ finish
Grille:	Powder coated, black, 16-gauge perforated steel with acoustically transparent charcoal foam backing
Input Connectors:	Neutrik [®] Speakon [®] NL-4 (x2)
Dimensions (H x W x D):	965 mm x 394 mm x 394 mm (38.0 in x 15.5 in x 15.5 in)
Net Weight:	34 kg (76 lb)
Optional Accessories:	SRX722-CVR: Pull-over padded cover SRX-FF3: Flying hardware kit (for use with F versions only) 229-00009-01: Suspension kit, includes 3 x 10 mm forged eyebolts & washers (for use with F versions only)

SRX725 - Dual 15", two-way, bass-reflex (suspendable version, SRX725F)

Frequency Range (-10 dB):	37 Hz - 20 kHz
Frequency Response (±3 dB):	53 Hz - 20 kHz
Coverage Pattern:	75° x 50° nominal
Crossover Modes:	Bi-amp / passive, externally switchable
Crossover Frequency:	1.2 kHz
Power Rating (Continuous ¹ /Program/Peak):	Passive: 1200 W / 2400 W / 4800 W Bi-amp LF: 1200 W / 2400 W / 4800 W Bi-amp HF: 75 W / 150 W / 300 W
Maximum SPL ² :	136 dB SPL peak
System Sensitivity (1w @ 1m):	99 dB SPL (passive mode)
LF Driver:	2 x JBL 2265H 380 mm (15 in) Differential Drive [®] woofer with neodymium-magnet and dual voice-coils
HF Driver:	1 x JBL 2451H 102 mm (4 in) voice-coil, neodymium-magnet compression driver
Nominal Impedance:	Passive: 4 ohms Bi-amp LF: 4 ohms Bi-amp HF: 8 ohms
Active Tunings:	dbx DriveRack, all models. Settings available at www.jblpro.com
Enclosure:	Trapezoidal, 15 mm, 11-ply birch plywood
Suspension / Mounting:	5 x suspension points, M10 or optional track kit (F version only)
Transport:	2 x steel handles
Finish:	Black DuraFlex™ finish
Grille:	Powder coated, black, 16 gauge perforated steel with acoustically transparent charcoal foam backing
Input Connectors:	Neutrik [®] Speakon [®] NL-4 (x2)
Dimensions (H x W x D):	1219 mm x 541 mm x 508 mm (48 in x 21.3 in x 20 in)
Net Weight:	45 kg (100 lb)
Optional Accessories:	SRX725-CVR: Pull-over padded cover SRX-FF3: Flying hardware kit (for use with F versions only) 229-00009-01: Suspension kit, includes 3 x 10 mm forged eyebolts & washers (for use with F versions only)

¹ IEC filtered noise with 6 dB crest factor.

² Calculated based on power rating and sensitivity, 1 m.

SRX738 - 18", three-way, bass-reflex (suspendable version, SRX738F)

Frequency Range (-10 dB):	35 Hz - 20 kHz
Frequency Response (± 3 dB):	44 Hz - 20 kHz
Coverage Pattern:	60° x 40° nominal
Crossover Modes:	Bi-amp / passive, internally switchable
Crossover Frequencies:	2 kHz / 350 Hz
Power Rating (Continuous ¹ /Program/Peak):	Passive: 800 W / 1600 W / 3200 W Bi-amp LF: 800 W / 1600 W / 3200 W Bi-amp HF: 350 W / 700 W / 1400 W
Maximum SPL ² :	130 dB SPL peak
System Sensitivity (1w @ 1m):	95 dB SPL (passive mode)
Mid / High Sensitivity (1w @ 1m):	108 dB SPL (bi-amp mode)
LF Driver:	1 x JBL 2268H 457 mm (18 in) Differential Drive [®] woofer with neodymium-magnet and dual voice-coils
MF Driver:	1 x JBL CMCD-81H Cone Midrange Compression Driver [™] , integral 2169H 200 mm (8 in) Differential Drive [®]
HF Driver:	1 x JBL 2431H 75 mm (3 in) voice-coil, neodymium-magnet compression driver
Nominal Impedance:	Passive: 8 ohms Bi-amp LF: 8 ohms Bi-amp HF: 8 ohms
Active Tunings:	dbx DriveRack, all models. Settings available at www.jblpro.com
Enclosure:	Trapezoidal, 15mm, 11-ply birch plywood
Suspension / Mounting:	5 x suspension points, M10 or optional track kit (F version only)
Transport:	2 x steel handles
Finish:	Black DuraFlex [™] finish
Grille:	Powder coated, black, 16-gauge perforated steel with acoustically transparent charcoal foam backing
Input Connectors:	Neutrik [®] Speakon [®] NL-4 (x2)
Dimensions (H x W x D):	1092 mm x 541 mm x 648 mm (43 in x 21.3 in x 25.5 in)
Net Weight:	43 kg (95 lb)
Optional Accessories:	SRX738-CVR: Pull-over padded cover SRX-FF3: Flying hardware kit (for use with F versions only) 229-00009-01: Suspension kit, includes 3 x 10 mm forged eyebolts & washers (for use with F versions only)

SRX718S - 18", bass-reflex, subwoofer

Frequency Range (-10 dB):	31 Hz - 220 Hz
Frequency Response (± 3 dB):	34 Hz - 220 Hz
Input Connection Modes:	Switchable, +1/-1 or +2/-2
Recommended Crossover Frequencies:	HPF: 80 Hz, 24 dB/octave LPF: 80 Hz, 24 dB/octave
Power Rating (Continuous ³ /Program/Peak):	Parallel: 800 W / 1600 W / 3200 W
Maximum SPL ² :	130 dB SPL peak
Sensitivity (1w @ 1m):	95 dB SPL
LF Driver:	1 x JBL 2268H 457 mm (18 in) Differential Drive [®] woofer with neodymium-magnet and dual voice-coils
Nominal Impedance:	8 ohms
Active Tunings:	dbx DriveRack, all models. Settings available at www.jblpro.com
Mounting:	Top mounted M20 threaded socket for optional SS4-BK pole
Enclosure:	Rectangular, 18 mm, 13-ply birch plywood
Finish:	Black DuraFlex [™] finish
Grille:	Powder coated, black, 16-gauge perforated steel with acoustically transparent charcoal foam backing
Input Connectors:	Neutrik [®] Speakon [®] NL-4 (x2)
Dimensions (H x W x D):	508 mm x 597 mm x 749 mm (20.0 in x 23.5 in x 29.5 in)
Net Weight:	36 kg (79 lb)
Optional Accessories:	SRX718S-CVR: Pull-over padded cover SS4-BK: Adjustable, heavy-duty pole, M20 thread to 35 mm WK-4: Caster kit

¹ IEC filtered noise with 6 dB crest factor.

² Calculated based on power rating and sensitivity.

³ 40 Hz - 120 Hz pink noise with 6 dB crest factor.

SRX728S - Dual 18", bass-reflex, subwoofer

Frequency Range (-10 dB):	27 Hz - 220 Hz
Frequency Response (± 3 dB):	33 Hz - 220 Hz
Input Connection Modes:	Switchable, +1/-1 or +2/-2 Internally Selectable, Parallel or Discrete
Recommended Crossover Frequencies:	HPF: 80 Hz, 24 dB/octave LPF: 80 Hz, 24 dB/octave
Power Rating (Continuous ¹ /Program/Peak):	Parallel: 1600 W / 3200 W / 6400 W
Maximum SPL ² :	136 dB SPL peak
Sensitivity (1w @ 1m):	98 dB SPL
LF Driver:	2 x JBL 2268H 457 mm (18 in) Differential Drive [®] woofer with neodymium-magnet and dual voice-coils
Nominal Impedance:	Parallel: 4 ohm Discrete: 8 ohms x 2
Active Tunings:	dbx DriveRack, all models. Settings available at www.jblpro.com
Enclosure:	Rectangular, 18 mm, 13-ply birch plywood
Finish:	Black DuraFlex™ finish
Grille:	Powder coated, black, 16-gauge perforated steel with acoustically transparent charcoal foam backing.
Input Connectors:	Neutrik [®] Speakon [®] NL-4 (x2)
Dimensions (H x W x D):	602 mm x 1067 mm x 838 mm (23.7 in x 42 in x 33 in)
Net Weight:	76 kg (166.5 lb)
Optional Accessories:	SRX728S-CVR: Pull-over padded cover

¹ 40 Hz - 120 Hz pink noise with 6 dB crest factor.

² Calculated based on power rating and sensitivity.

Model	Recommended Amplifier Power			Infrasonic Filter Settings
	Full-Range / Parallel	HF	LF / Discrete	HPF 24 dB/ octave
SRX712M	800 to 1,600W@8Ω	150 to 300W@8Ω	800 to 1,600W@8Ω	50 Hz
SRX715	800 to 1,600W@8Ω	150 to 300W@8Ω	800 to 1,600W@8Ω	40 Hz
SRX722	1,200 to 2,400W@4Ω	150 to 300W@8Ω	1,200 to 2,400@4Ω	63 Hz
SRX725	1,200 to 2,400W@4Ω	150 to 300W@8Ω	1,200 to 2,400W@4Ω x2	31 Hz
SRX738	800 to 1,600W@8Ω	350 to 700W@8Ω	800 to 1,600W@8Ω	31 Hz
SRX718S	800 to 1,600W@4Ω	n/a	800 to 1,600W@2Ω	31 Hz
SRX728S	1,600 to 3,200W@4Ω	n/a	800 to 1,600W@8Ω x2	31 Hz

Infrasonic Filter Settings

It is a good practice to use a High Pass Filter (HPF) to prevent frequencies below the system tuning frequency from reaching the speaker. Inputting these frequencies to the speaker will not result in any appreciable acoustic output but will put needless mechanical stress on the woofer and reduce available amplifier headroom. A High Pass Filter will protect your SRX700 system from excess infrasonic energy with little, if any loss of significant program content. Refer to the above chart for infrasonic filter settings.

Processor Tunings

System tunings for dbx DriveRack processors have been developed for the SRX700 series. If your DriveRack was manufactured prior to the release of SRX700, you may obtain the settings from the dbx website at <http://www.dbxpro.com/downloads.htm>, or from the JBL Pro website at www.jblpro.com/pages/software_downloads.htm. The tunings are available in digital format and may be loaded directly into your DriveRack processor (except DriveRack PA).

The settings are also provided in a .PDF document for owners of the DriveRack PA. For other processors or for analog crossovers and equalizers, the PDF tunings may be used as a starting point. Be aware that all digital processor models may not respond identically to a particular setting.

DuraFlex™ Finish

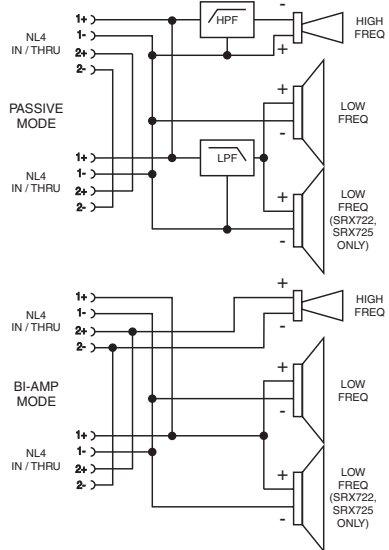
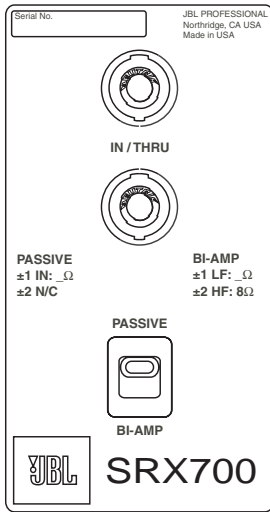
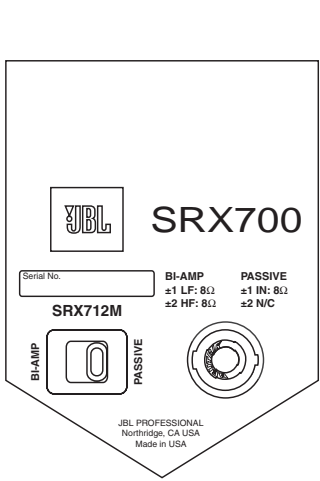
The DuraFlex finish used on your SRX700 series speakers is one of the most rugged finishes ever applied to a speaker. However, all speaker finishes are subject to damage. Should the DuraFlex finish require repair, a touch-up kit (Part Number 30052) is available from JBL Professional Parts.

Removable JBL Logo Badge

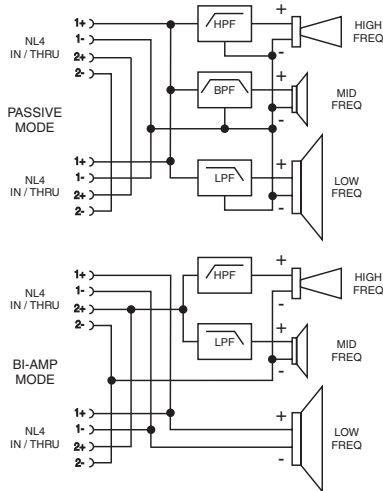
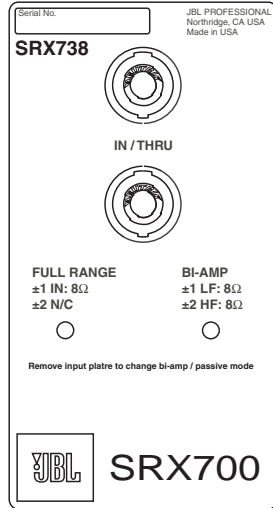
For applications requiring a more unobtrusive appearance, the JBL badge may be peeled off exposing a JBL logo that is cut into the grille. Note that the badge may not adhere properly if reattached.

INPUT PANELS AND BLOCK DIAGRAMS

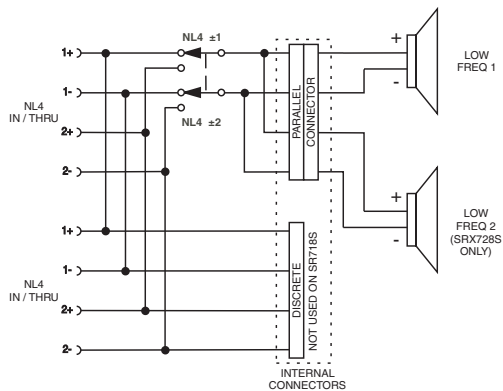
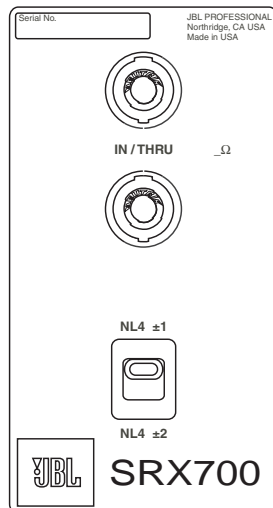
SRX712M, SRX715, SRX722 and SRX725



SRX738



SRX718S and SRX728S



FLYING AND SUSPENSION

JBL SRX700 series offers 4 models with suspendable capabilities: SRX715F, SRX722F, SRX725F and SRX738F. Before attempting to suspend your speakers, read and understand the following safety information.

IMPORTANT SAFETY WARNING!

The information in this section has been assembled from recognized engineering data and is intended for informational purposes only. None of the information in this section should be used without first obtaining competent advice with respect to applicability to a given circumstance. None of the information presented herein is intended as a representation or warranty on the part of JBL. Anyone making use of this information assumes all liability arising from such use.

All information presented herein is based upon materials and practices common to North America and may not directly apply to other countries because of differing material dimensions, specifications, and/or local regulations. Users in other countries should consult with appropriate engineering and regulatory authorities for specific guidelines.

Correct use of all rigging hardware is required for secure system suspension. Careful calculations should always be performed to ensure that all components are used within their working load limits before the array is suspended. Never exceed the maximum recommended load ratings.

Before suspending any speaker system always inspect all components (enclosure, rigging frames, pins, eye-bolts, track fittings, etc.) for cracks, deformations, corrosion, missing, loose or damaged parts that could reduce strength and safety of the array. Do not suspend the speaker until the proper corrective action has been taken. Use only load-rated hardware when suspending SRX700 suspendable versions.

Are You New to Rigging?

If you are new to rigging, you should do the following:

- ❖ Read and study JBL Technical Note Volume 1, Number 14: Basic Principles for Suspending Loudspeaker Systems (available at http://www.jblpro.com/pub/technote/tn_v1n14.pdf).
- ❖ Know the rules for safe rigging.
- ❖ Attend a safe rigging seminar, such as that presented by professionals like Rigging Seminars™ or by Chain Motor Hoist manufacturers like Columbus McKinnon Corp. (manufacturers of the C/M Lodestar).
- ❖ Meet and establish a relationship with a licensed mechanical or structural engineer. Get in the habit of asking them questions instead of guessing about their answers. Learn from what they tell you.
- ❖ Meet and discuss this aspect of your business with your Insurance Agent.
- ❖ Research and understand the codes, practices, and requirements in the venues where you intend to operate your sound system.

General Hardware Information

Any hardware used in an overhead suspension application must be load rated for the intended use. Generally, this type of hardware is available from rigging supply houses; industrial supply catalogs and specialized rigging distributors. Local hardware stores do not usually stock these products. Hardware that is intended for overhead suspension will comply with ASME B30.20 and will be manufactured under product traceability controls. Compliant hardware will be referenced with a working load limit (WLL) and a traceability code.

Attachment to Structures

A licensed Professional Engineer must approve the placement and method of attachment to the structure prior to the installation of any overhead object. The following performance standards should be provided to the Professional Engineer for design purposes; Uniform Building Code as applicable, Municipal Building Code as applicable, and Seismic Code as applicable.

The installation of the hardware and method of attachment must be carried out in the manner specified by the Professional Engineer. Improper installation may result in damage, injury or death.

Inspection & Maintenance

Suspension systems are comprised of mechanical devices and, as such, they require regular inspection and routine maintenance to insure proper function ability. JBL SRX700F loudspeakers must be inspected for fatigue at least annually. The inspection shall include a visual survey of all corners and load bearing surfaces for signs of cracking, water damage, de-lamination, or any other condition that may decrease the strength of the loudspeaker enclosure. Accessory rigging hardware provided with or for the JBL SRX700F loudspeakers must be inspected for fatigue at least annually. The inspection shall include a visual survey of the material for signs of corrosion, bending or any other condition that may decrease the strength of the fastener. Additionally, any eyebolts shall be checked for possible spin-out of the enclosure. For all other hardware and fittings, refer to the hardware manufacturer's inspection and maintenance guidelines for process.

JBL is not responsible for the application of its products for any purpose or the misuse of this information for any purpose. Furthermore, JBL is not responsible for the abuse of its products caused by avoiding compliance with inspection and maintenance procedures or any other abuse.

Prior to suspending the system, an expert, trained and experienced in flying speaker systems should inspect all rigging parts and components.

Resources

ATM Fly-Ware
 (888) RIG-MORE / (310) 834-5914
 2100 South Wilmington Avenue
 Carson, CA 90810
 www.atmflyware.com

M.A.N. Flying Systems
 20 Sidar Road
 Brook Road Industrial Estate
 Rayleigh Essex SS6 7XF
 www.manfly.co.uk

McMaster Carr
 Various Locations in the USA
 For a location near you, visit
 them at www.mcmaster.com

JBL Professional - Tech Note Vol. 1 No. 14
 "Basic Principles for Suspending Loudspeakers"
 www.jblpro.com/technote/tn_v1n14.pdf

Safe Rigging

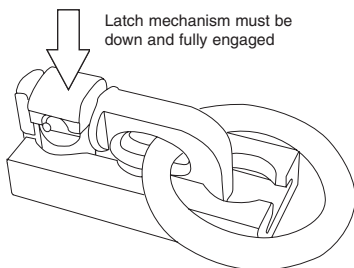
The JBL SRX700 suspendable version loudspeakers are supplied with built-in internal brackets. The system is designed to facilitate the suspension of the loudspeaker by a qualified person familiar with rigging hardware and industry practices. Improper installation may result in damage, injury or death.

Working Load Limit

The working load limit (WLL) of any JBL SRX700 suspendable loudspeaker will be maintained as long as no more than 136 kg (300 lb) is suspended by a minimum of TWO (2) PRIMARY SUSPENSION points (Track Suspension), or 46 kg (100 lb) is suspended by TWO (2) of the SECONDARY SUSPENSION points (M10 Forged Shoulder Eyebolts).

Flying for Portable Applications (Primary Suspension)

For portable, temporary suspension of SRX700F models, order the JBL SRX-FF3. This kit includes three detachable fly-clips. For additional suspension components, contact a professional rigging hardware supplier.



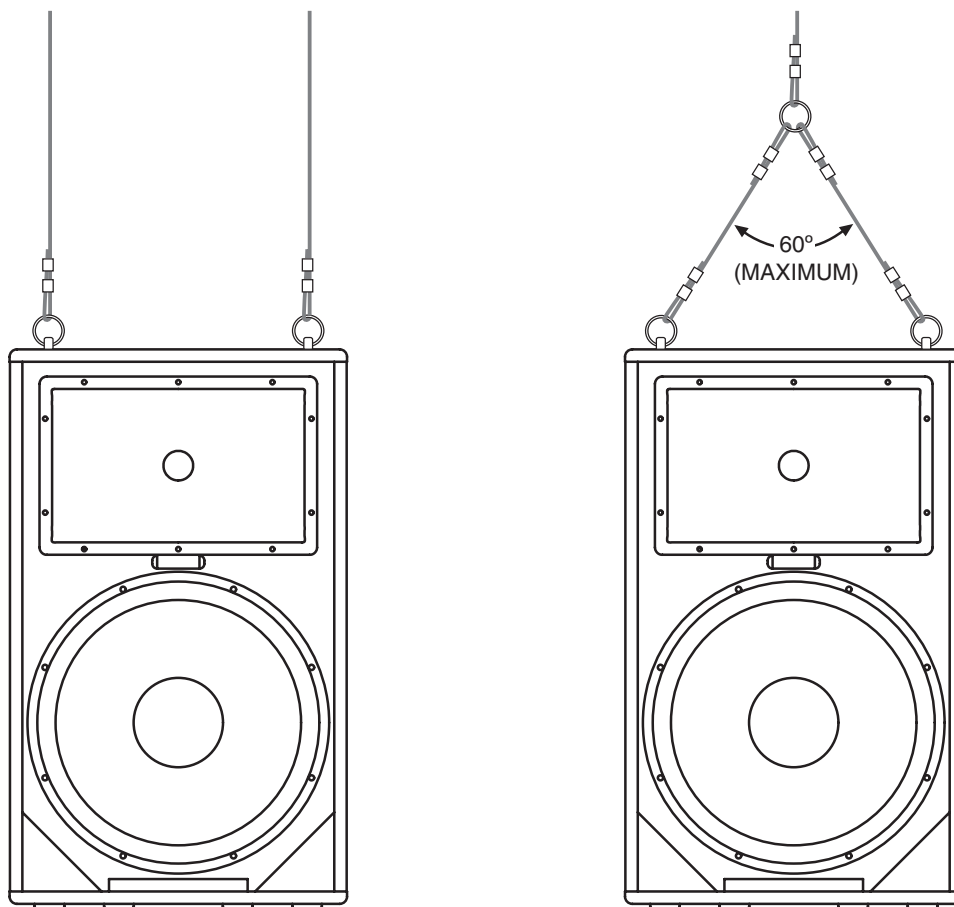
WARNING
 Before lifting any speaker using fly-clip attachments, be certain that the latch mechanism of all fly-clips is fully and properly engaged with the track. An audible click will be heard.

Suspension in Fixed Installations (Secondary Suspension)

For fixed installations of SRX700F models using M10, forged-shoulder eyebolts, order JBL Part number 229-00009-01 which includes 3 x 10 mm forged eyebolts with washers.

WARNING

Suspension of SRX700 speakers must employ both top attachment points. When "bridling" an SRX700, two (2) legs of equal length must be used. The rear attachment point is a pull-back point and is intended only for use in adjusting the down-angle of the speaker enclosure. Only the top and bottom attachment points are intended for use as suspension points.



JBL WARRANTY AND CONTACTS

Who Is Protected by This Warranty?

Your JBL Warranty protects the original owner and all subsequent owners so long as: A.) Your JBL product has been purchased in the Continental United States, Hawaii or Alaska. (This Warranty does not apply to JBL products purchased elsewhere except for purchases by military outlets. Other purchasers should contact the local JBL distributor for warranty information.); and B.) The original dated bill of sale is presented whenever warranty service is required.

What does the JBL Warranty cover?

Except as specified below, your JBL Warranty covers all defects in material and workmanship. The following are not covered: Damage caused by accident, misuse, abuse, product modification or neglect; damage occurring during shipment; damage resulting from failure to follow instructions contained in your Instruction Manual; damage resulting from the performance of repairs by someone not authorized by JBL; claims based upon any misrepresentations by the seller; any JBL product on which the serial number has been defaced, modified or removed.

Who Pays for What?

JBL will pay all labor and material expenses for all repairs covered by this warranty. Please be sure to save the original shipping cartons because a charge will be made if replacement cartons are requested. Payment of shipping charges is discussed in the next section of this warranty.

How to Obtain Warranty Performance

If your JBL product ever needs service, write or telephone us at JBL Incorporated (Attn: Customer Service Department), 8500 Balboa Boulevard, PO. Box 2200, Northridge, California 91329 (818/893-8411). We may direct you to an authorized JBL Service Agency or ask you to send your unit to the factory for repair. Either way, you'll need to present the original bill of sale to establish the date of purchase. Please do not ship your JBL product to the factory without prior authorization. If transportation of your JBL product presents any unusual difficulties, please advise us and we may make special arrangements with you. Otherwise, you are responsible for transporting your product for repair or arranging for its transportation and for payment of any initial shipping charges. However, we will pay the return shipping charges if repairs are covered by the warranty.

Mailing Address:

JBL Professional
8500 Balboa Blvd.
Northridge, CA 91329 USA

Shipping Address:

JBL Professional
8370 Balboa Blvd., Dock D
Northridge, CA 91329 USA
(Do not return product to this address without first obtaining prior authorization from JBL)

Customer Service:

Monday through Friday
8:00am - 5:00pm
Pacific Coast Time In the U.S.A.
(800) 8JBLPRO (800.852.5776)
www.jblproservice.com

On the World Wide Web:

www.jblpro.com

Outside the USA:

Contact the JBL Professional Distributor in your area. A complete list of JBL Professional international distributors is provided at our U.S.A. website - www.jblpro.com

Product Registration:

Register your product online at www.jblpro.com/registration



H A Harman International Company

Free Manuals Download Website

<http://myh66.com>

<http://usermanuals.us>

<http://www.somanuals.com>

<http://www.4manuals.cc>

<http://www.manual-lib.com>

<http://www.404manual.com>

<http://www.luxmanual.com>

<http://aubethermostatmanual.com>

Golf course search by state

<http://golfingnear.com>

Email search by domain

<http://emailbydomain.com>

Auto manuals search

<http://auto.somanuals.com>

TV manuals search

<http://tv.somanuals.com>