

# TLX 151



## ACOUSTIC & ELECTRICAL SPECIFICATIONS

- Nominal Impedance 8 ohms
- Max Amp Power 125 watts
- Frequency Response 50Hz - 25kHz (-6dB)
- Sensitivity 90 dB (1 watt @ 1 meter)
- Crossover Frequency 600Hz, 3000Hz

## SYSTEM COMPONENTS:

- Cabinet TLX 151 (not For Sale)
- Grille 240776 or 332777-001
- Low Frequency Transducer 8" Woofer (974326 or 332749-001)  
DC Resistance 5.1 ohms ±10%
- Mid Frequency Transducer 4" Midrange (974305 or 332764-001)  
DC Resistance 4.6 ohms ±10%
- High Frequency 10 mm Titanium Composite

## SYSTEM COMPONENTS: (cont.)

- Transducer (974301 or 302343-001)  
DC Resistance 5.8 ohms ±10%
- Crossover Network 270776 or 332769-001

## AURAL SWEEP TEST SPECIFICATIONS:

- System Aural Sweep Test 5.0V Input 50 Hz to 20 kHz
- L.F. Aural Sweep Test 5.0V Input 50 Hz to 1 kHz
- M.F. Aural Sweep Test 4.0V Input 1 kHz to 4 kHz
- H.F. Aural Sweep Test 2.83V Input 2 kHz to 20 kHz

## PHYSICAL SPECIFICATIONS

- Enclosure dimensions: 20 7/8" x 9 7/8" x 12"  
(H x W x D) (530 x 251 x 305mm)
- Weight 21.25 lbs. (9.5 kg) Each

## WARRANTY:

- Refer to Warranty Statement packed with each product.

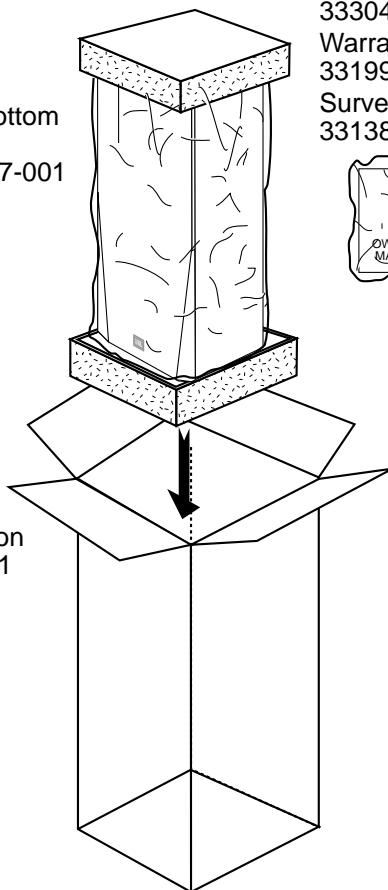
## PACKAGING

Top/Bottom  
Foam  
332767-001

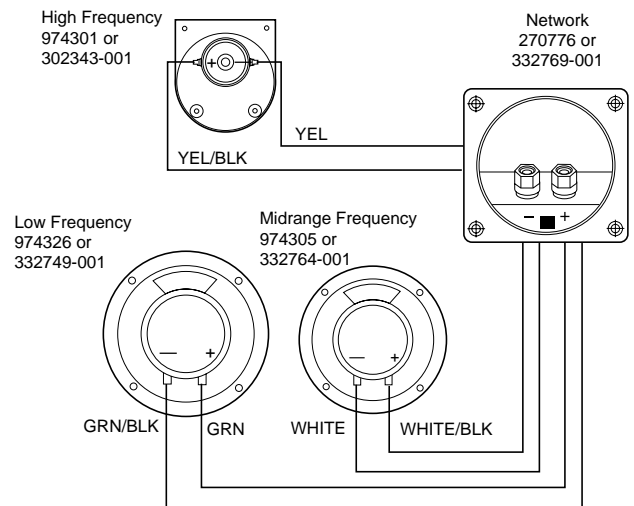
Owner's Manual  
333047-001  
Warranty Card  
331994-001  
Survey Card  
331384-001



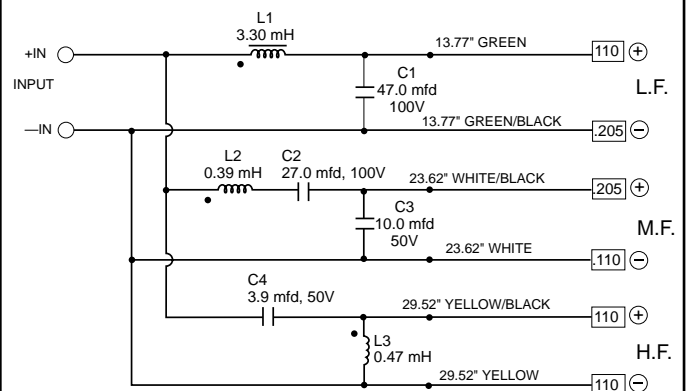
Outer Carton  
332783-001



## WIRING DIAGRAM



## SCHEMATIC TLX 151

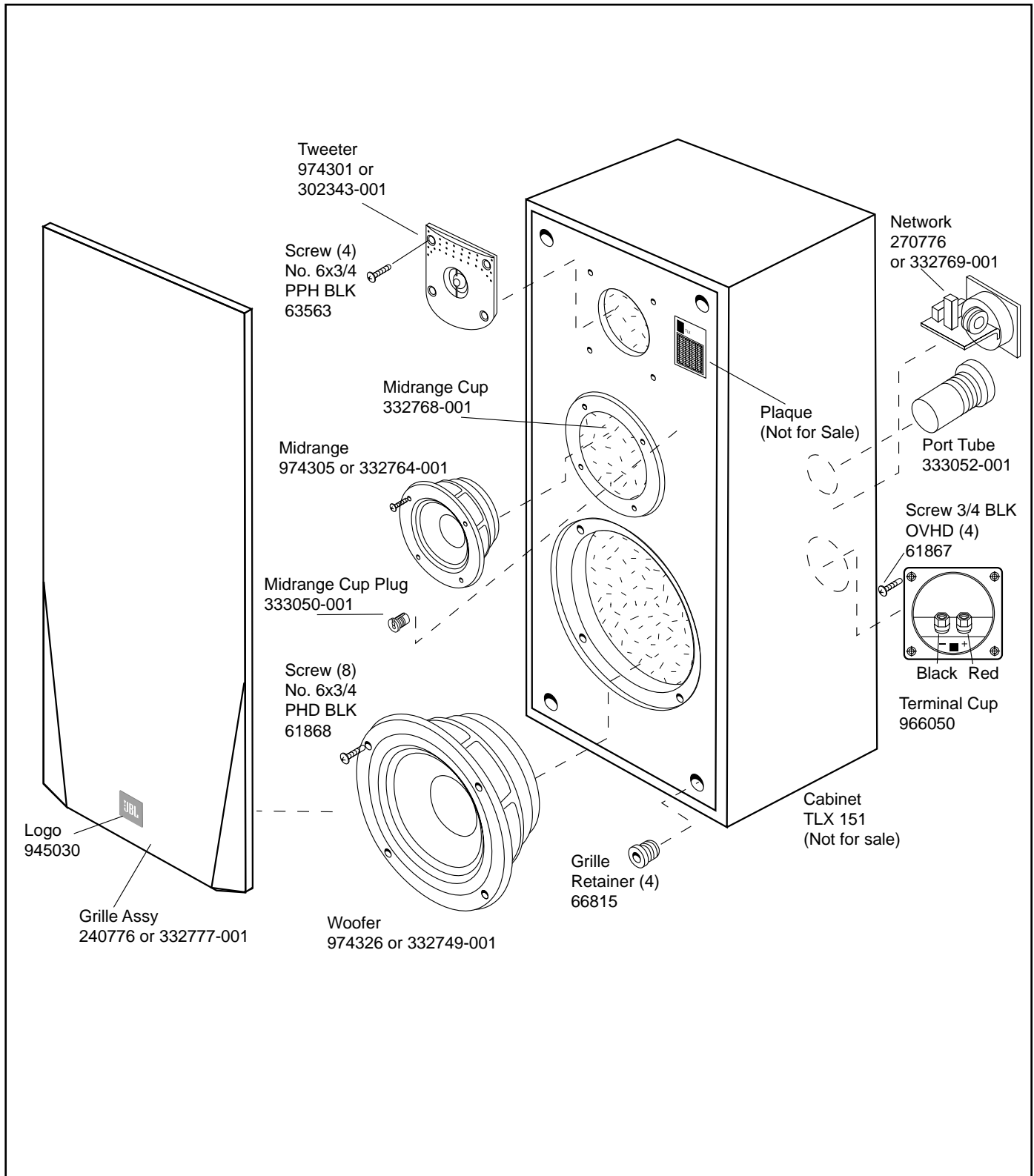


TLX 151

# TLX 151



## COMPONENT EXPLODED VIEW



TLX 151

## Free Manuals Download Website

<http://myh66.com>

<http://usermanuals.us>

<http://www.somanuals.com>

<http://www.4manuals.cc>

<http://www.manual-lib.com>

<http://www.404manual.com>

<http://www.luxmanual.com>

<http://aubethermostatmanual.com>

Golf course search by state

<http://golfingnear.com>

Email search by domain

<http://emailbydomain.com>

Auto manuals search

<http://auto.somanuals.com>

TV manuals search

<http://tv.somanuals.com>