

Technical Manual



JBL VT4881ADP-AN/CN

SPECIFICATIONS

ACOUSTIC & ELECTRICAL SPECIFICATIONS:

- Nominal Impedance: 8 ohms
- Power Handling: 2000W Continuous/8000W Peak (AES/2 hrs)
1200W Continuous/4800W Peak (100 hrs)
- DP1 Internal Amplification Output: 3600W Peak, 1800 W Continuous (at load)
- DP1 Output Topology: 1-Channel Class-I
- Frequency Response: 34 Hz - 125 Hz (-3 dB)
- Frequency Range: 25 Hz - 160 Hz (-10 dB)
- Max Peak Output: 131 dB SPL, 1m
- Signal Processing: dbx type IV Conversion System, Precision bandpass filters, limiting, pre-equalization filters and automatic self-test functions.
- AC Power Operating Range: Auto Select 90-132VAC/216-264VAC, 50/60Hz
- AC Line Voltage: 50/60n Hz, Auto-Detect, 100V/220V,
- AC Input Connector: Neutrik PowerCon
- AC Power Loop-thru: Neutrik PowerCon
- AC Current Requirement: 5A per system at 120A, 3.2A per system at 240V

SYSTEM COMPONENTS:

- Cabinet: Enclosure Assembly C4881
- Grille: 354690-001
- Low Frequency: (1) 2269G, 457 mm (18in) dia, 100mm (4 in) Dual Coil, Differential Drive[®] Direct Cooled^(TM)
- DC Resistance: 2.7 ohms

AURAL SWEEP TEST SPECIFICATIONS:

- A. System Aural Sweep Test: 7.0mV Input, 20 Hz to 400 Hz
- B. LF. Aural Sweep Test: 10.0V Input, 10 Hz to 300 Hz

PHYSICAL SPECIFICATIONS:

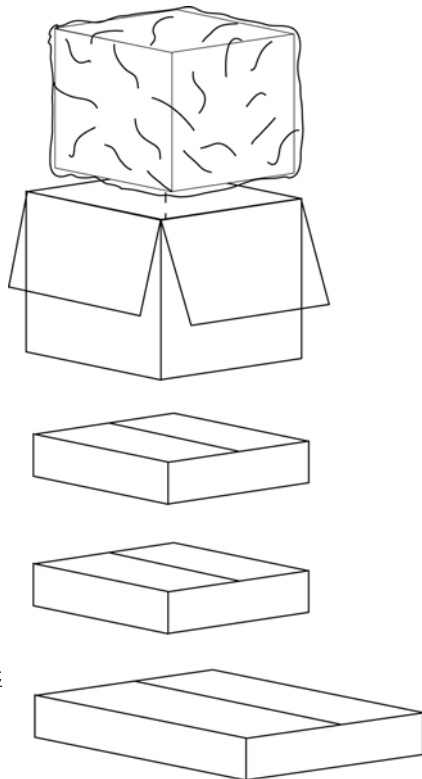
- Enclosure Dimensions: 787 mm x 569 mm x 800 mm (31 in. x 22.4 in. x 31.5 in.)
- Net Weight: 137 lbs. (62.2 kg)

WARRANTY INFORMATION:

- Refer to Warranty Statement packed with each product.

PACKAGE

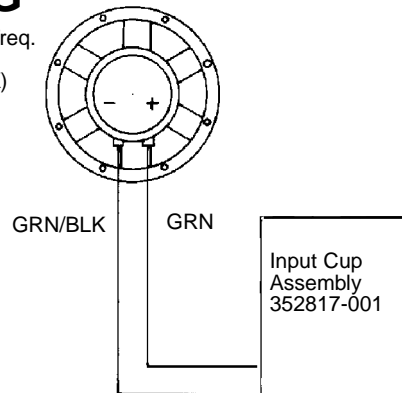
- Warranty 59660
- Specification Sheet 362884-001
- Filler (2) 362308-001
- Microfoam (8) 49790P
- Carton 362307-001
- Protective Jackets (2) 360849-001
- JBL Drive Pack Operators Guide 362870-001
- Power Cord Assembly 355040-002 Edison / Shucko
- Back Filler (2) 363135-001
- Front Filler 363137-001
- CD, Network Drive Pack 361908-003
- JBL VT4881ADP-ACC
- Dolly Assembly 350434-003
- Carton 363005-001
- Filler, Bottom (2) 363006-001
- Filler, Top (2) 363007-001
- Exterior Cover 363019-001
- Filler, Pad (2) 363008-001



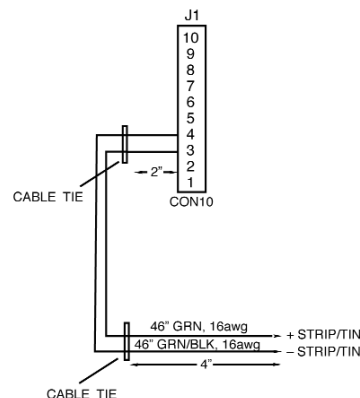
- | | |
|---------------------------|---------------------------|
| JBL VT4887-AF | JBL VT4887-SF |
| Carton 350712-001 | Carton 350487-001 |
| Filler (2) 350713-001 | Filler (2) 350486-001 |
| Owner's Manual 350485-001 | Owner's Manual 350485-001 |

WIRING

- Driver, Low Freq. 2269H (354096-001X)
- Cone Repl C8R2269



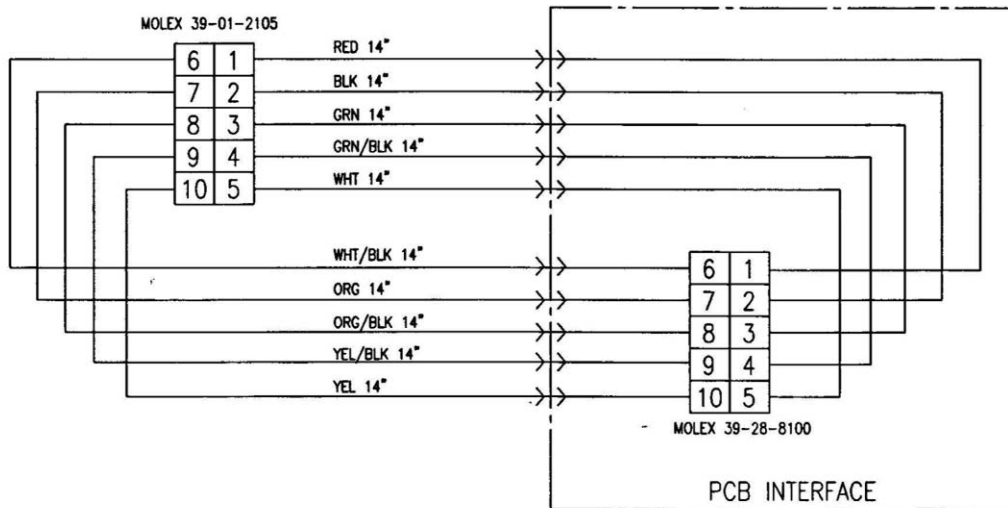
SCHEMATIC: 362309-001
Wiring Harness



JBL VT4881ADP-AN/CN REV H

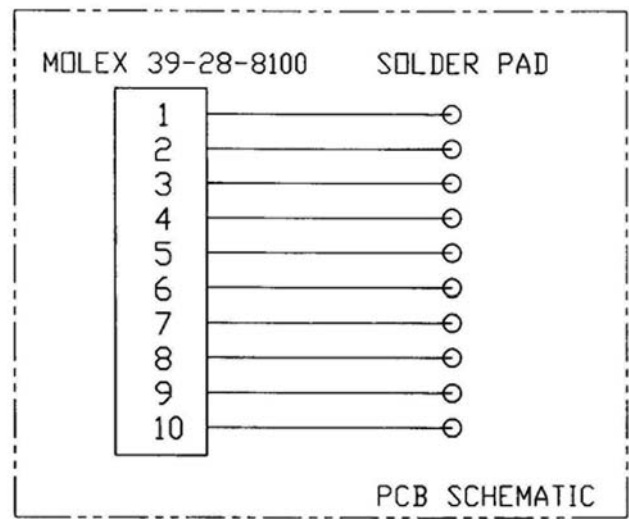
JBL VT4881ADP-AN/CN

SCHEMATIC DIAGRAMS

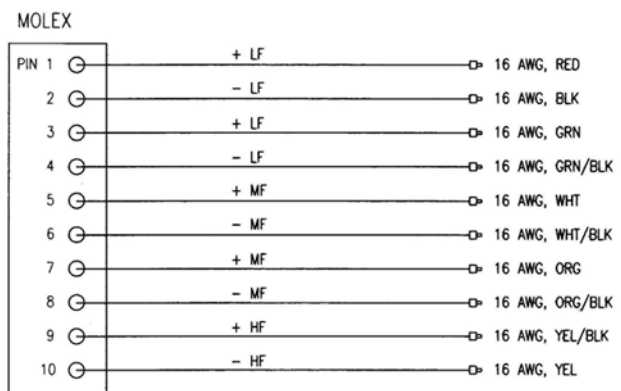


6	————	SCREW MOUNT CABLE TIE
5	————	#6 X 3/8", TAP SCREW, PAN ,PH, BLK
4	352818-001	GASKET
3	352087-001	WIRE HARNESS (Ribbon Cable)
2	352270-001	PCB ASSY
1	352271-001	INPUT CUP

352270-001 Connector Assembly Diagram



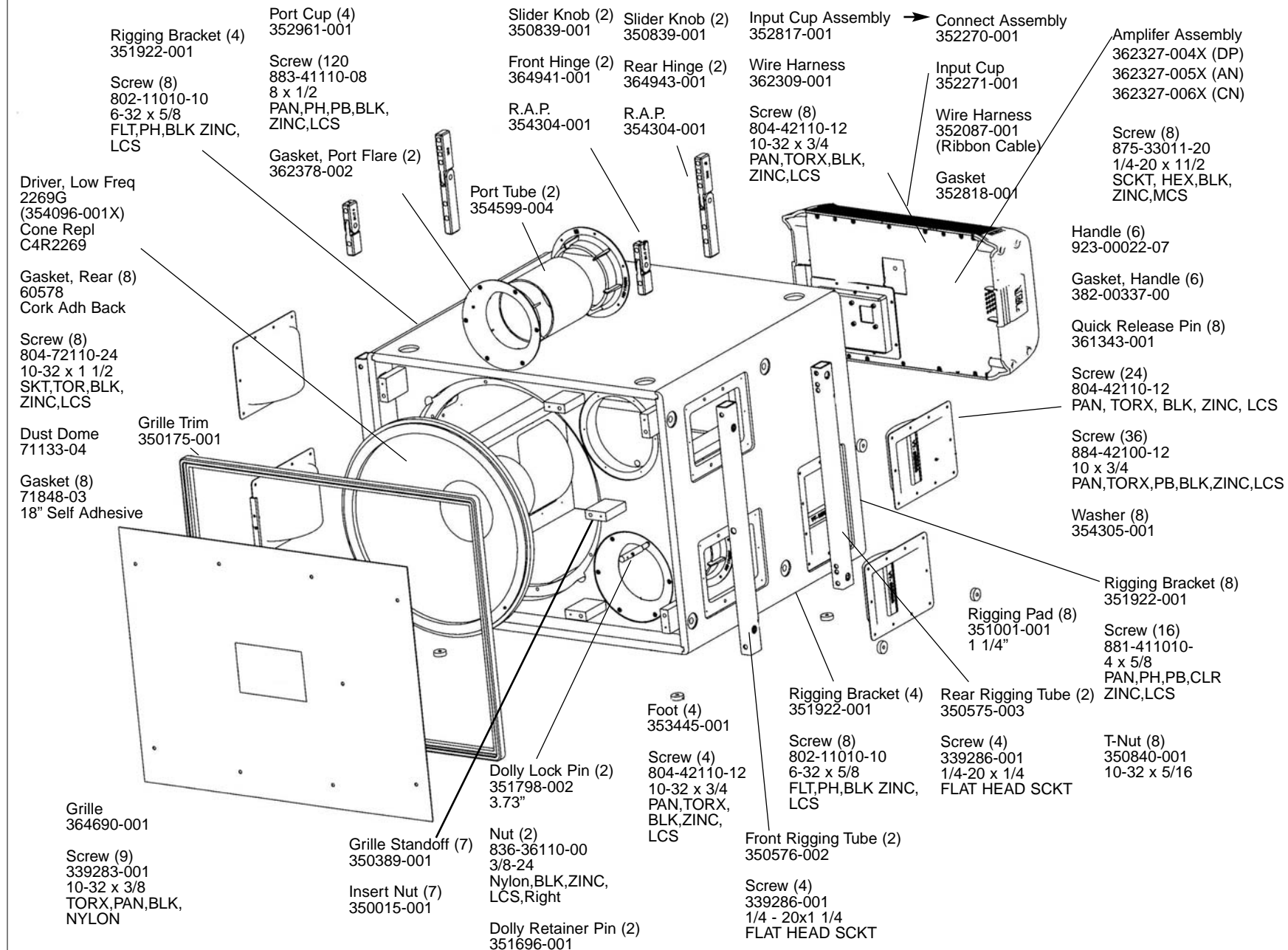
352087-001 Wire Harness Diagram



JBL VT4881ADP-AN/CN

JBL VT4881ADP-AN/CN

COMPONENT EXPLODED VIEW



JBL VT4881ADP-AN/CN

DP1 AMPLIFIER ASSEMBLY REFERENCE

AMPLIFIER ASSEMBLY 362327-001

Amplifier Assemblies

DP1

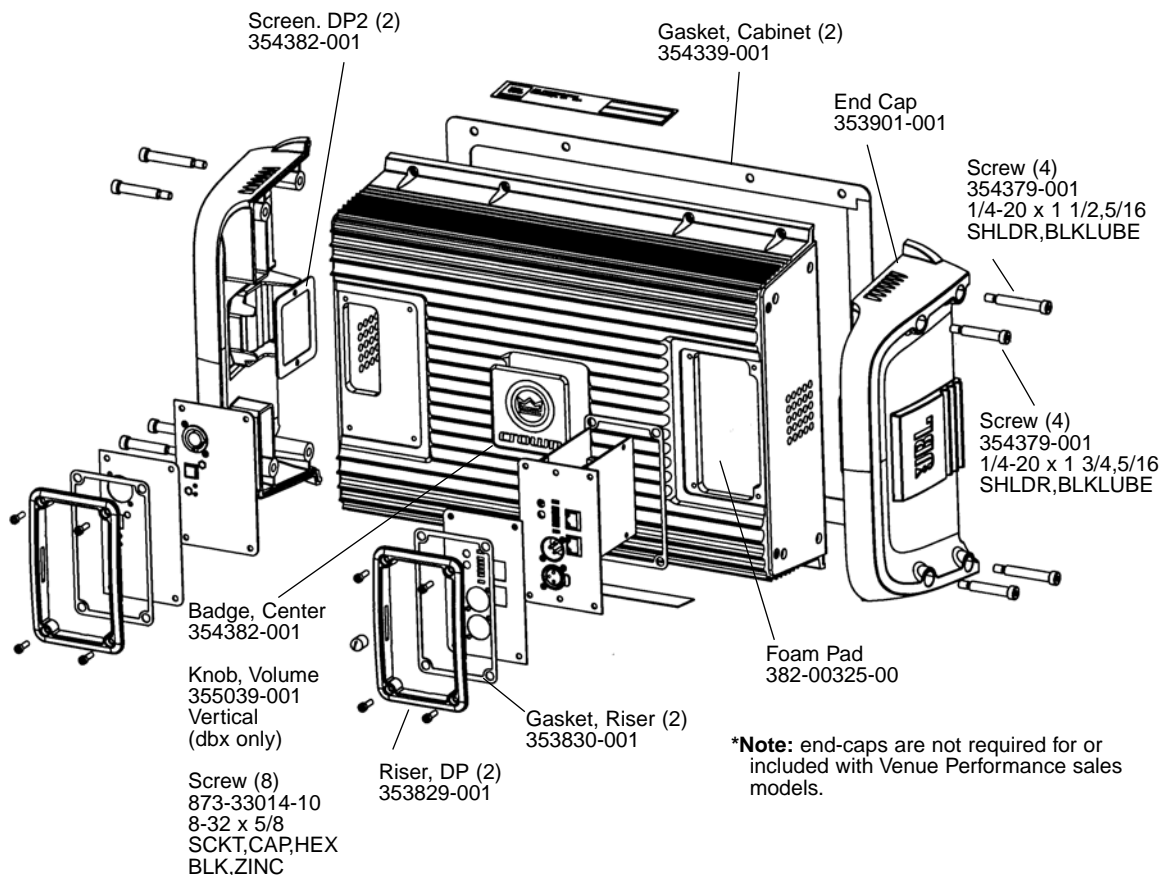
Note: Amplifier assembly includes the input module.

Part No.	Description
362327-001	Amplifier Assembly, Base Model, VP/VT Series
362327-002X	Amplifier Assembly, VPSB7118DPAN
362327-003X	Amplifier Assembly, VPSB7118DPCN
362327-004X	Amplifier Assembly, VT4881ADP
362327-005X	Amplifier Assembly, VT4881ADP-AN
362327-006X	Amplifier Assembly, VT4881ADP-CN
362327-007X	Amplifier Assembly, VPSB7118DP

Input Modules

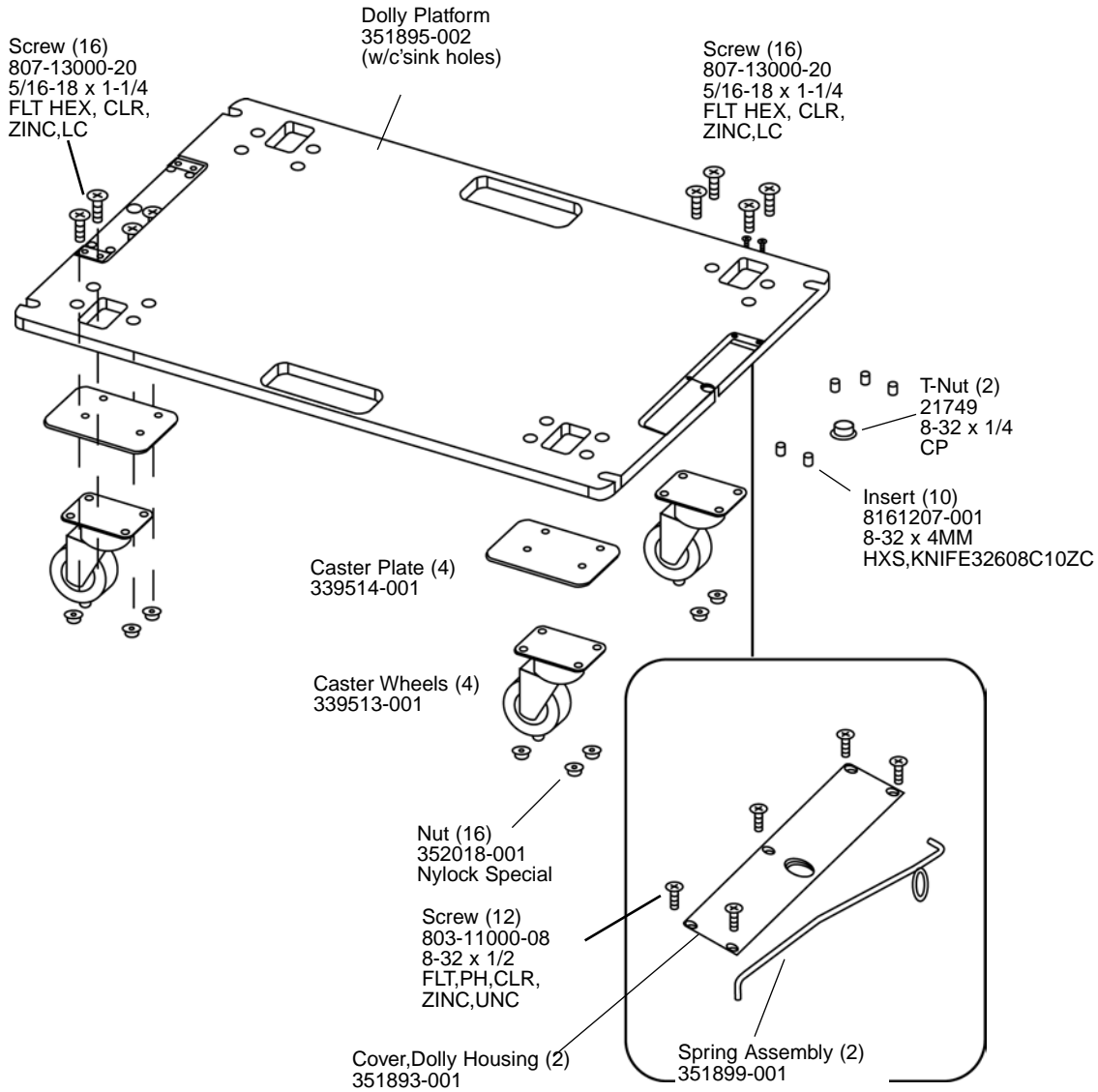
Note: If ordering an input module you must order 1 of the tuning files below depending on the system model number.

	DP-dbx	DP-AN	DP-CN
	361541-001X	361092-001X	361093-001X
Model Numbers	Tuning File Part Numbers		
VT4881ADP	363146-001	363457-001	363458-001
VPSB7118DP	364097-001	362351-001	362352-001



JBL VT4881ADP-ACC

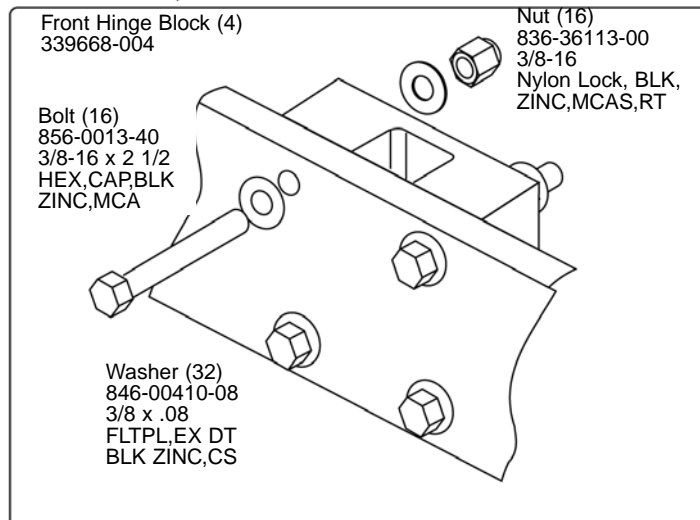
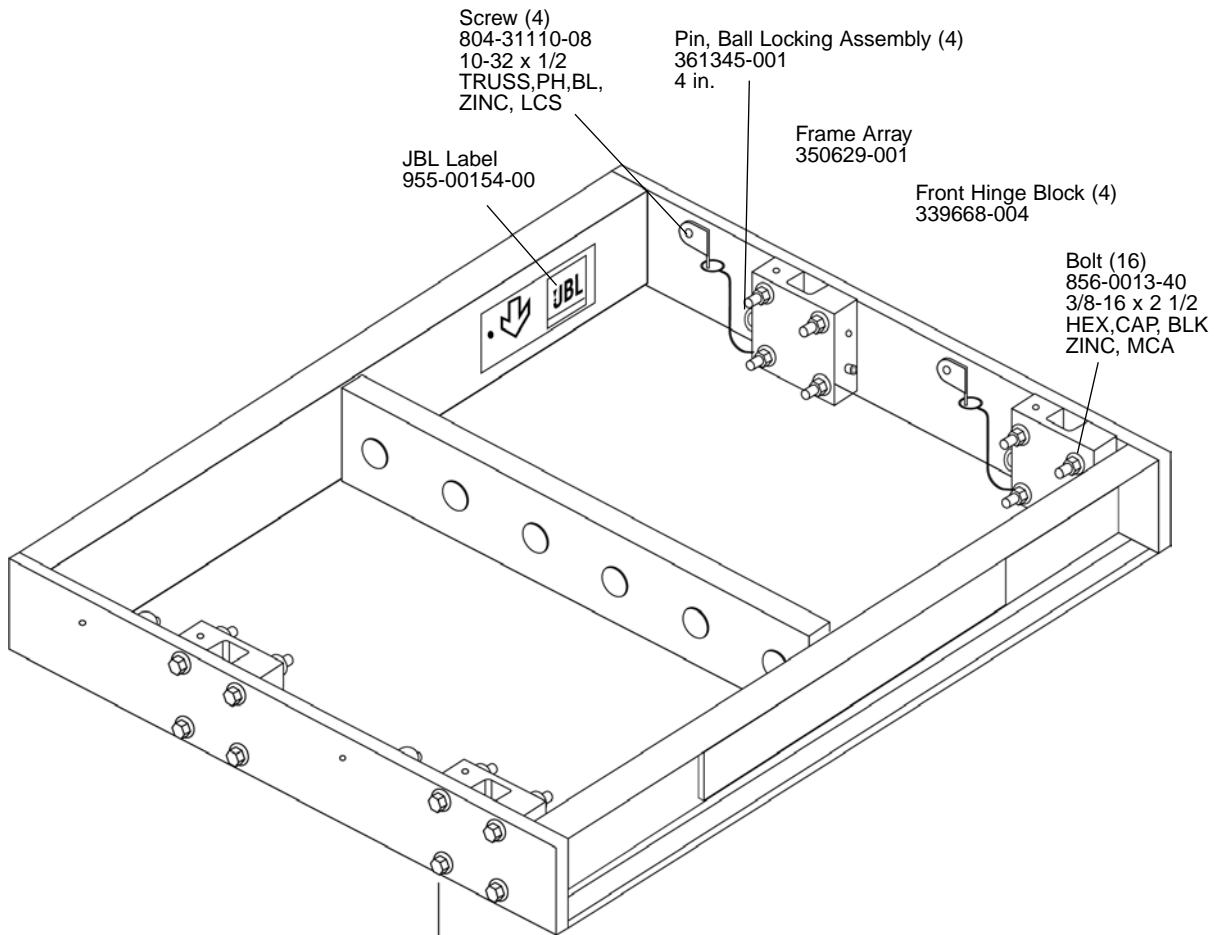
DOLLY ASSEMBLY 350434-003



JBL VT4881ADP-ACC

JBL VT4887-SF

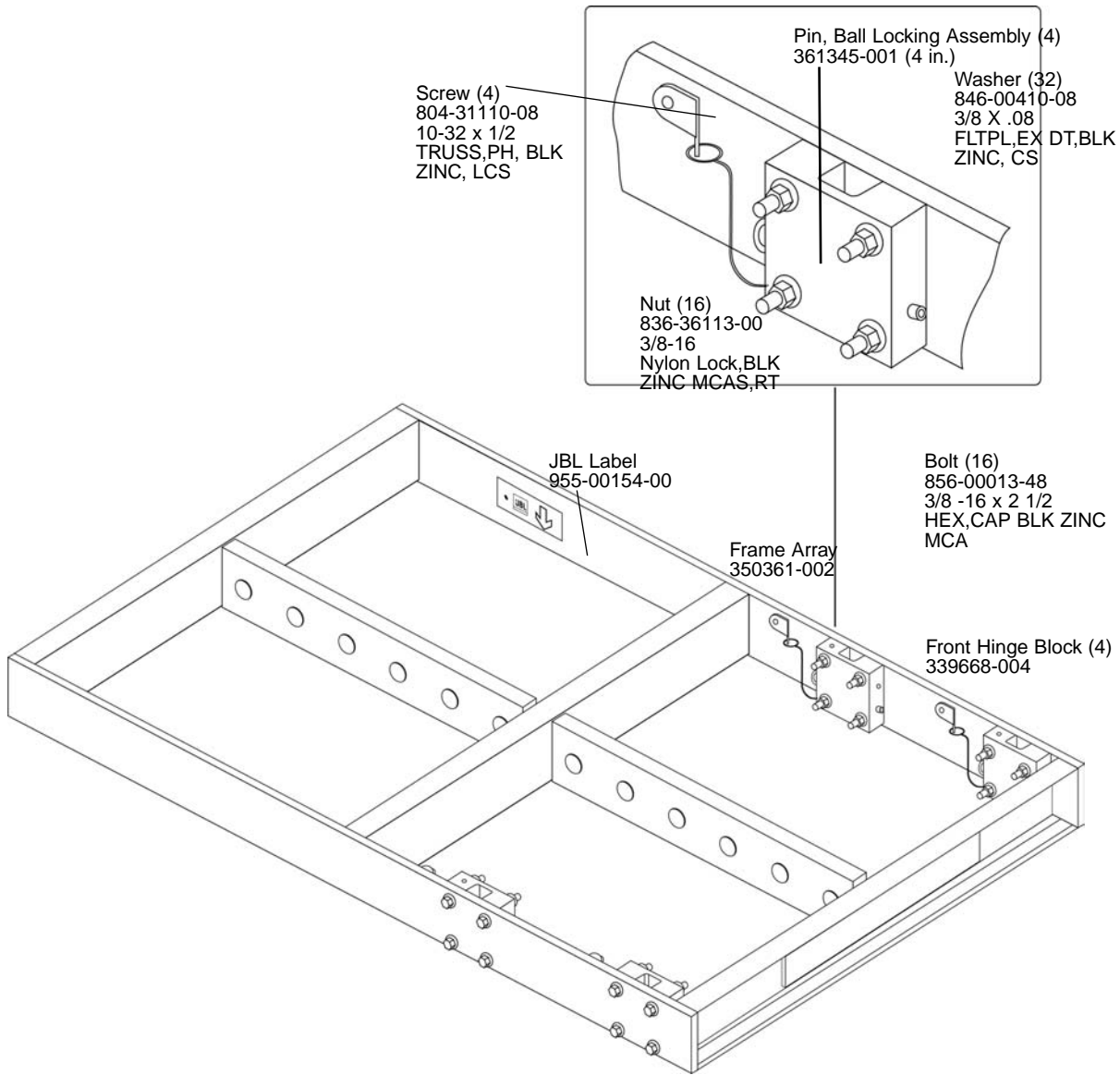
ARRAY FRAME ASSEMBLY



JBL VT4887-SF

JBL VT4887-AF

ARRAY FRAME ASSEMBLY



JBL VT4887-AF

Free Manuals Download Website

<http://myh66.com>

<http://usermanuals.us>

<http://www.somanuals.com>

<http://www.4manuals.cc>

<http://www.manual-lib.com>

<http://www.404manual.com>

<http://www.luxmanual.com>

<http://aubethermostatmanual.com>

Golf course search by state

<http://golfingnear.com>

Email search by domain

<http://emailbydomain.com>

Auto manuals search

<http://auto.somanuals.com>

TV manuals search

<http://tv.somanuals.com>