

JDSU Custom Test Systems

Test Equipment and Automation Services for Labs and Manufacturers

Testing Parameters and Applications

– Testing parameters

- Insertion loss, backreflection, polarization dependent loss, polarization mode dispersion, chromatic dispersion, and jitter/wander

– Network elements and systems

- Service disruption and protection switching
- Interoperability
- Performance monitoring
- Network synchronization

– Modules

- Stressed receiver sensitivity
- Transmitter dispersion penalty
- Gain and noise figure
- Transient characterization

– Components

- Spectral analysis
- Continuity
- Isolation and crosstalk
- Reliability, repeatability, and stability



Improve time-to-market and decrease costs by allowing JDSU to build a custom test system for you. Custom test systems are a turnkey solution to address your application-specific requirements for performing physical layer tests and obtaining system validation measurements. Automated tests, custom report generation, and remote access allows you to test with less human intervention, test throughout the night and weekend, and increases the repeatability of test procedures. JDSU provides the test equipment, test expertise, hardware integration, and software integration to deliver a comprehensive solution for your testing needs.

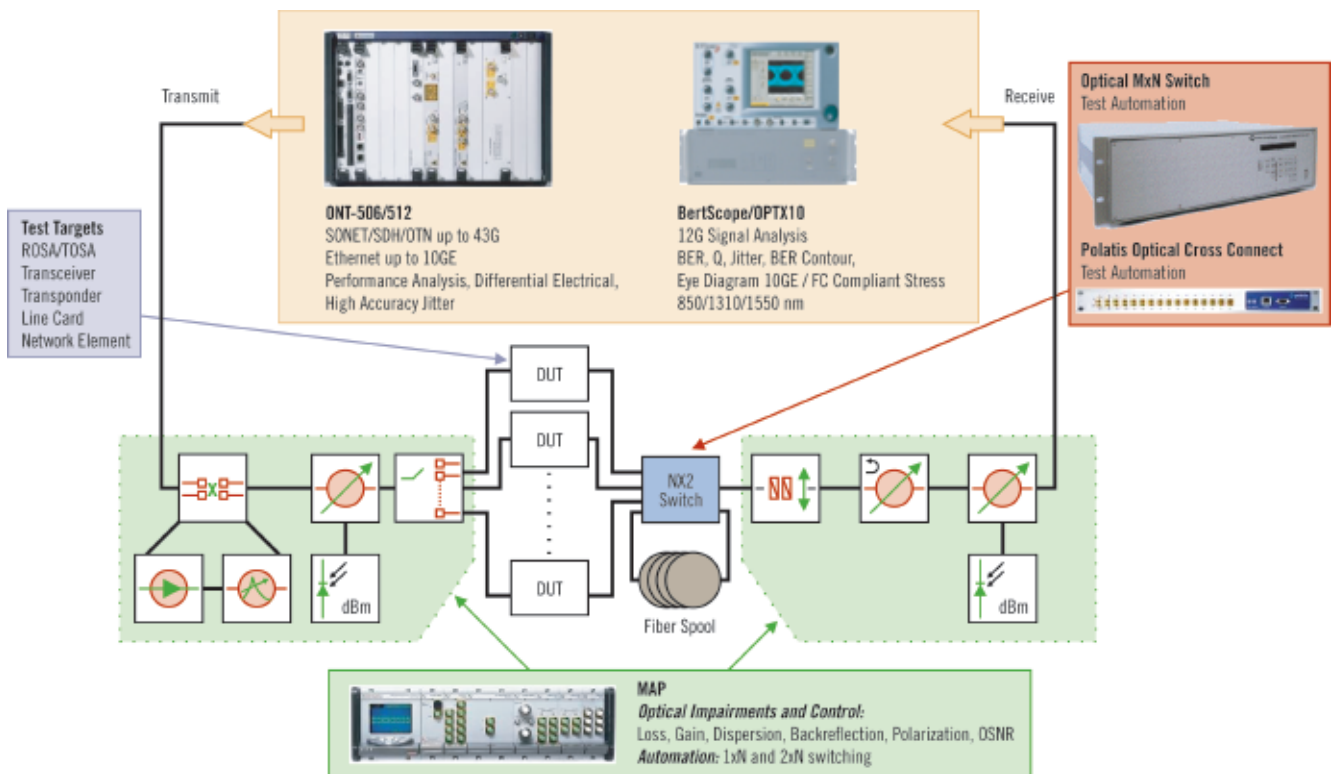
Test Automation Services – Value Proposition

- **Quality**
 - Experienced test engineering
 - Knowledgeable software engineering
- **Schedule control**
 - On-time delivery
 - Delivery in phases
- **Cost control**
 - Flat fixed price
 - Lower cost
- **Experience with test equipment and test automation allows JDSU to provide high quality test systems delivered on-time for a low fixed price**

What type of software integration is supported?

- **Multiple types of delivery**
 - Comprehensive test automation to accelerate testing
 - Drivers and libraries to accelerate test automation
- **JDSU (current and legacy) and non-JDSU equipment**
- **Multiple programming languages**
 - Software oriented testing languages
 - Tcl/Tk, Perl, Python
 - Hardware oriented testing tools
 - NI LabVIEW™, NI LabWindows/CVI
 - General programming languages
 - C, C++, Java
- **Multiple operating systems**
 - Linux or other UNIX based systems
 - All Microsoft Windows platforms

What equipment can JDSU provide?



NORTH AMERICA TEL: 1 866 228 3762 FAX: +1 301 353 9216	LATIN AMERICA TEL: +55 11 5503 3800 FAX: +55 11 5505 1598	ASIA PACIFIC TEL: +852 2892 0990 FAX: +852 2892 0770	EMEA TEL: +49 7121 86 2222 FAX: +49 7121 86 1222	WEBSITE: www.jdsu.com
---	--	---	---	--

Free Manuals Download Website

<http://myh66.com>

<http://usermanuals.us>

<http://www.somanuals.com>

<http://www.4manuals.cc>

<http://www.manual-lib.com>

<http://www.404manual.com>

<http://www.luxmanual.com>

<http://aubethermostatmanual.com>

Golf course search by state

<http://golfingnear.com>

Email search by domain

<http://emailbydomain.com>

Auto manuals search

<http://auto.somanuals.com>

TV manuals search

<http://tv.somanuals.com>