

TECHNICAL MANUAL

**INSTALLATION MANUAL FOR EXPORT UNITS
SERVICE MANUAL FOR DOMESTIC UNITS**

ELECTRICALLY HEATED MODELS:

CREW 44

CREW 66

STEAM HEATED MODELS

CREW 44S

CREW 66S



Feb. 25, 2011
P/N 07610-003-78-18 (Revision D)

Jackson WWS, Inc.
P.O. Box 1060, Hwy 25E
Barbourville, KY USA
1.606.523.9795
www.jacksonwws.com

Revision Letter	Revision Date	Made By	Applicable ECNs	Details
A	07-27-10	CW/JC	N/A	Initial release of manual
B	02-25-11	JC	8183 8186 8187 8177	Transformer change for 208 Volt units. Drain handle operation & alignment change. Door splash shield addition. Rinse paddle switch operation. Initial release of 66" units, 44" Steam units & 66" Steam units
C	06-30-11	JC	N/A	Initial release of 23" & 30" unhooded side-loaders
D	03-28-13	JC		Changed Jackson Logo

TABLE OF CONTENTS

Specifications

Machine Dimensions	Page 6
Side Loader Dimensions	Page 10
Steam Booster Heater Dimensions	Page 11
Operating Parameters	Page 12
Notes Regarding Electrical Requirements	Page 13
Electrical Requirements	Page 14

Instructions

Installation Instructions	Page 17
Curtain Installation Instructions	Page 22
Operating Instructions	Page 23
Delime Instructions	Page 25

Maintenance

Troubleshooting	Page 26
-----------------	---------

Parts Section

Control Box Components	Page 27
Overloads	Page 29
Miscellaneous Electrical Components	Page 30
Wash Heater and Heater Shroud Assemblies	Page 31
Pump Suction Assembly	Page 32
Wash Heaters	Page 33
Door Assembly	Page 34
Pre-Wash Door Assembly	Page 35
Wash Door Spring Assembly	Page 36
Plumbing Assembly, Main Water Inlet	Page 37
Wash Tank Fill Assembly	Page 38
Pre-Wash Tank Fill Assemblies	Page 39
Wash Manifold and Arm Assembly	Page 40
Pre-Wash Manifold and Arm Assemblies	Page 42
Rinse Assembly	Page 44
Pawl Bar Assembly	Page 46
Pawl Bar Bracket Assembly	Page 47
Pawl Bar Gutter Assembly	Page 48

TABLE OF CONTENTS (CONTINUED)

Parts Section (Continued)

Rack Paddle Assembly	Page 49
Rinse Paddle Assemblies	Page 50
Drain Assembly Parts	Page 51
Covers, Guards and Panels	Page 52
Brackets	Page 53
Miscellaneous Parts	Page 54
Ventilation Cowl Parts	Page 55
Ventilation Cowl for Unhooded Side-Loader	Page 56
Drive Assembly	Page 57
Side-Loaders	Page 59
Side-Loader Drive Linkage	Page 62
Steam Heating Coil Assembly	Page 63
Booster Heater Option (Electric)	Page 64
Booster Heater Option (Steam)	Page 65

Electrical Diagrams and Schematics

Booster Heater Schematic (3 Phase)	Page 67
Booster Heater Schematic (1 Phase, 12 KW)	Page 68
Booster Heater Schematic (1 Phase, 18 KW)	Page 69
Steam Booster Heater Schematic	Page 70
Temperature Board	Page 71
Schematic, Photo-Cell Table Limit Switch	Page 72
Schematic, 44" (208-230-460/60/3 Phase)	Page 73
Schematic, 44" (208-230/60/1 Phase)	Page 74
Schematic, 44" Steam (208-230-460/60/3 Phase)	Page 75
Schematic, 44" Steam (208-230/60/1 Phase)	Page 76
Schematic, 66" (208-230-460/60/3 Phase)	Page 77
Schematic, 66" (208-230/60/1 Phase)	Page 78
Schematic, 66" Steam (208-230-460/60/3 Phase)	Page 79
Schematic, 66" Steam (208-230/60/1 Phase)	Page 80

Maintenance & Repair Centers

Page 81

Technical Manual (07610-003-78-18)

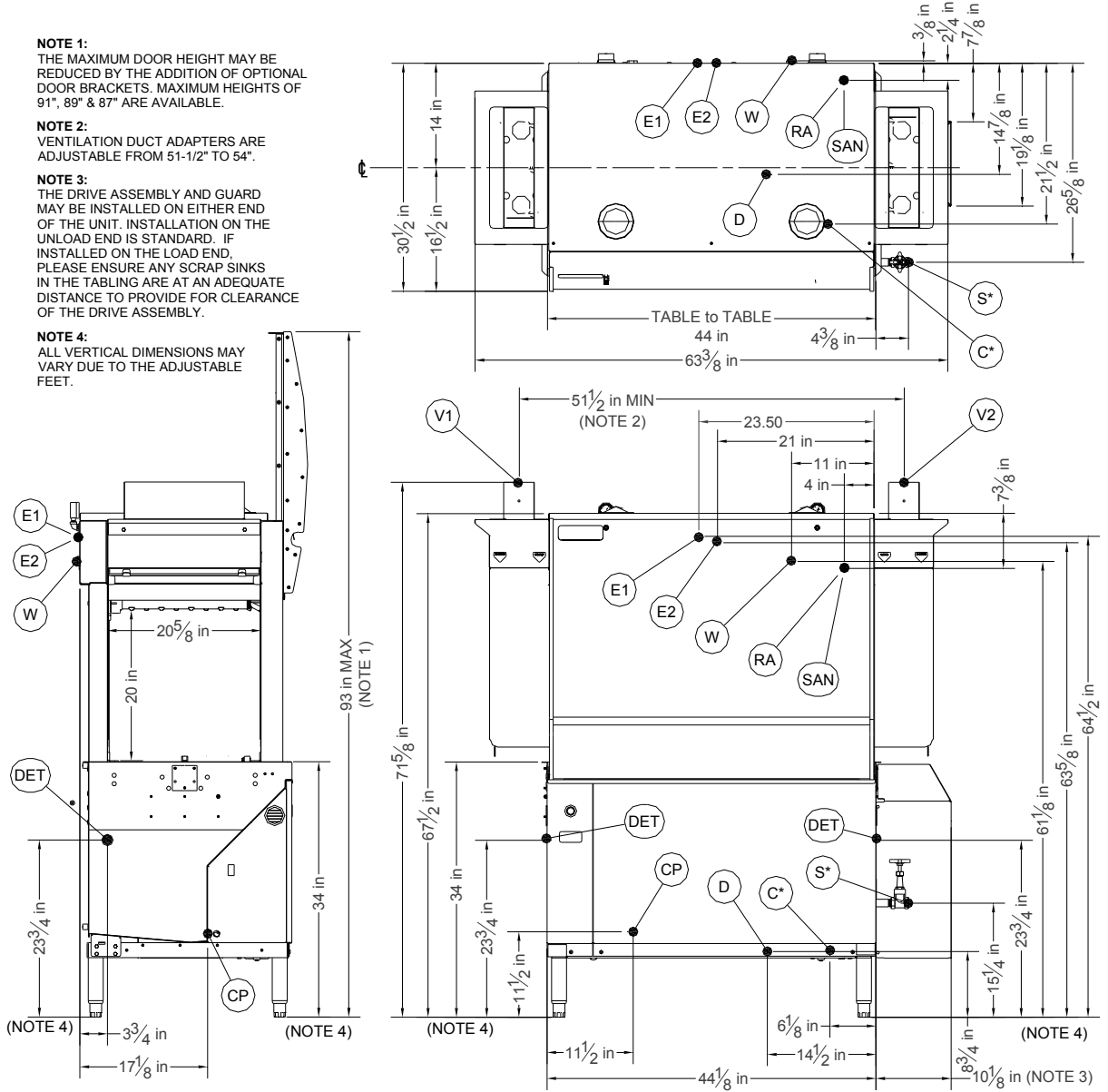
MACHINE DIMENSIONS (44" Left to Right)

NOTE 1:
THE MAXIMUM DOOR HEIGHT MAY BE REDUCED BY THE ADDITION OF OPTIONAL DOOR BRACKETS. MAXIMUM HEIGHTS OF 91", 89" & 87" ARE AVAILABLE.

NOTE 2:
VENTILATION DUCT ADAPTERS ARE ADJUSTABLE FROM 51-1/2" TO 54".

NOTE 3:
THE DRIVE ASSEMBLY AND GUARD MAY BE INSTALLED ON EITHER END OF THE UNIT. INSTALLATION ON THE UNLOAD END IS STANDARD. IF INSTALLED ON THE LOAD END, PLEASE ENSURE ANY SCRAP SINKS IN THE TABLING ARE AT AN ADEQUATE DISTANCE TO PROVIDE FOR CLEARANCE OF THE DRIVE ASSEMBLY.

NOTE 4:
ALL VERTICAL DIMENSIONS MAY VARY DUE TO THE ADJUSTABLE FEET.



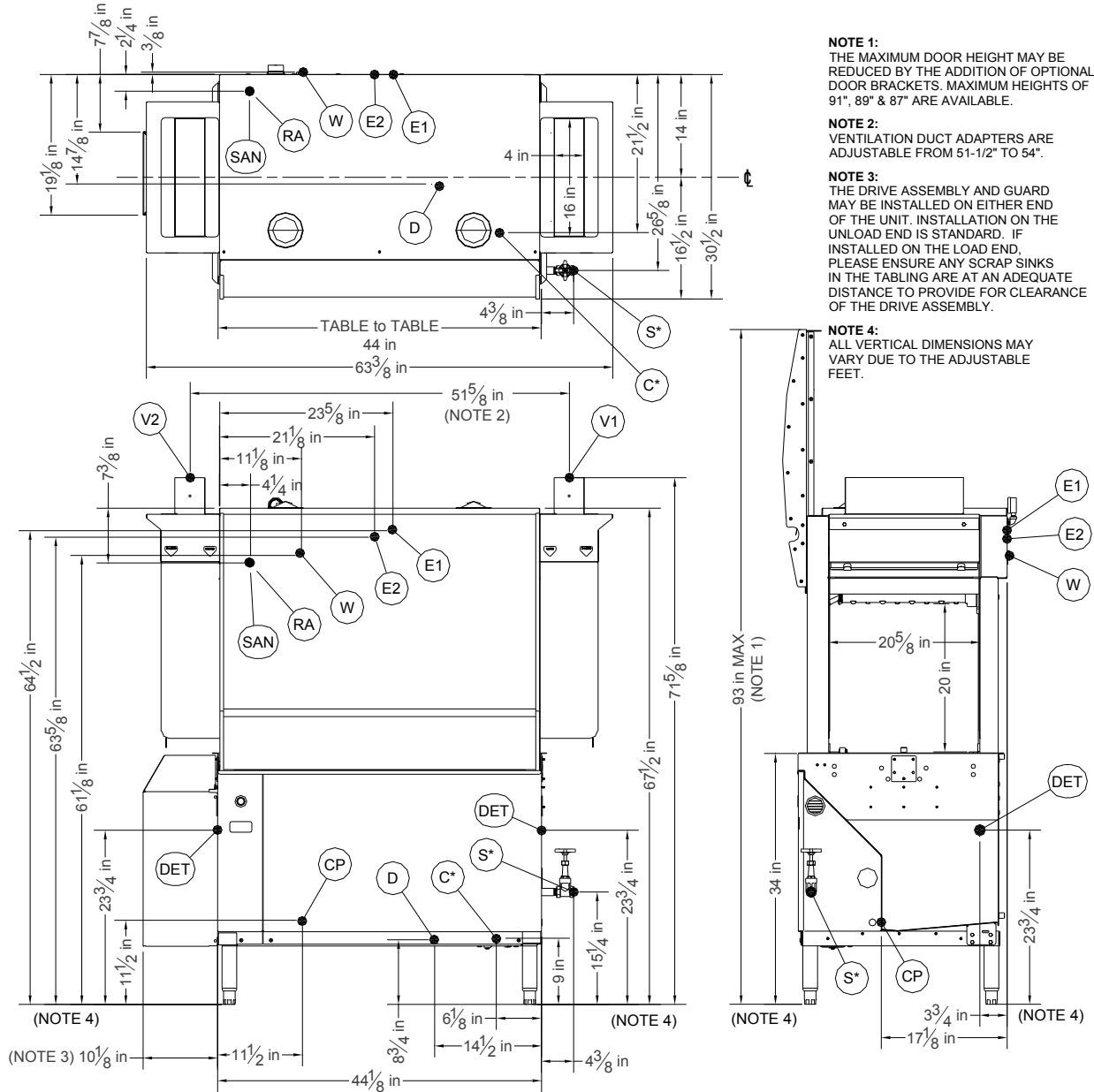
- * APPLIES TO STEAM HEATED UNITS
- ** CHEMICAL SANITIZING UNITS ONLY

E1	MAIN ELECTRICAL CONNECTION (1.375" DIA HOLE)
E2	BOOSTER HEATER ELECT. CONNECTION (1.375" DIA)
W	MAIN INLET WATER CONNECTION (1/2 NPT-F)
D	DRAIN CONNECTION (1-1/2" NPT-F)
DET	DETERGENT BULKHEAD ACCESS (.875" DIA HOLE)
SAN**	SANITIZER INLET TO RINSE (1/8" NPT-F)

RA	RINSE AID CONNECTION TO RINSE (1/8" NPT-F)
CP	CONDUCTIVITY PROBE ACCESS (.875" DIA HOLE)
S*	STEAM TO WASH TUB HEATING COIL (3/4" NPT-F)
C*	CONDENSATE RETURN (3/4" NPT-F)
V1	VENTILATION DUCT CONN. (LOAD END) 4" x 16" ID
V2	VENTILATION DUCT CONN. (UNLOAD END) 4" x 16" ID

Technical Manual (07610-003-78-18)

MACHINE DIMENSIONS (44" Right to Left)



NOTE 1:
THE MAXIMUM DOOR HEIGHT MAY BE REDUCED BY THE ADDITION OF OPTIONAL DOOR BRACKETS. MAXIMUM HEIGHTS OF 91", 89" & 87" ARE AVAILABLE.

NOTE 2:
VENTILATION DUCT ADAPTERS ARE ADJUSTABLE FROM 51-1/2" TO 54".

NOTE 3:
THE DRIVE ASSEMBLY AND GUARD MAY BE INSTALLED ON EITHER END OF THE UNIT. INSTALLATION ON THE UNLOAD END IS STANDARD. IF INSTALLED ON THE LOAD END, PLEASE ENSURE ANY SCRAP SINKS IN THE TABLING ARE AT AN ADEQUATE DISTANCE TO PROVIDE FOR CLEARANCE OF THE DRIVE ASSEMBLY.

NOTE 4:
ALL VERTICAL DIMENSIONS MAY VARY DUE TO THE ADJUSTABLE FEET.

* APPLIES TO STEAM HEATED UNITS

** CHEMICAL SANITIZING UNITS ONLY

E1	MAIN ELECTRICAL CONNECTION (1.375" DIA HOLE)
E2	BOOSTER HEATER ELECT. CONNECTION (1.375" DIA)
W	MAIN INLET WATER CONNECTION (1/2 NPT-F)
D	DRAIN CONNECTION (1-1/2" NPT-F)
DET	DETERGENT BULKHEAD ACCESS (.875" DIA HOLE)
SAN**	SANITIZER INLET TO RINSE (1/8" NPT-F)

RA	RINSE AID CONNECTION TO RINSE (1/8" NPT-F)
CP	CONDUCTIVITY PROBE ACCESS (.875" DIA HOLE)
S*	STEAM TO WASH TUB HEATING COIL (3/4" NPT-F)
C*	CONDENSATE RETURN (3/4" NPT-F)
V1	VENTILATION DUCT CONN. (LOAD END) 4" x 16" ID
V2	VENTILATION DUCT CONN. (UNLOAD END) 4" x 16" ID

Page Created: 06-30-2011

Revised: N/A

Technical Manual (07610-003-78-18)

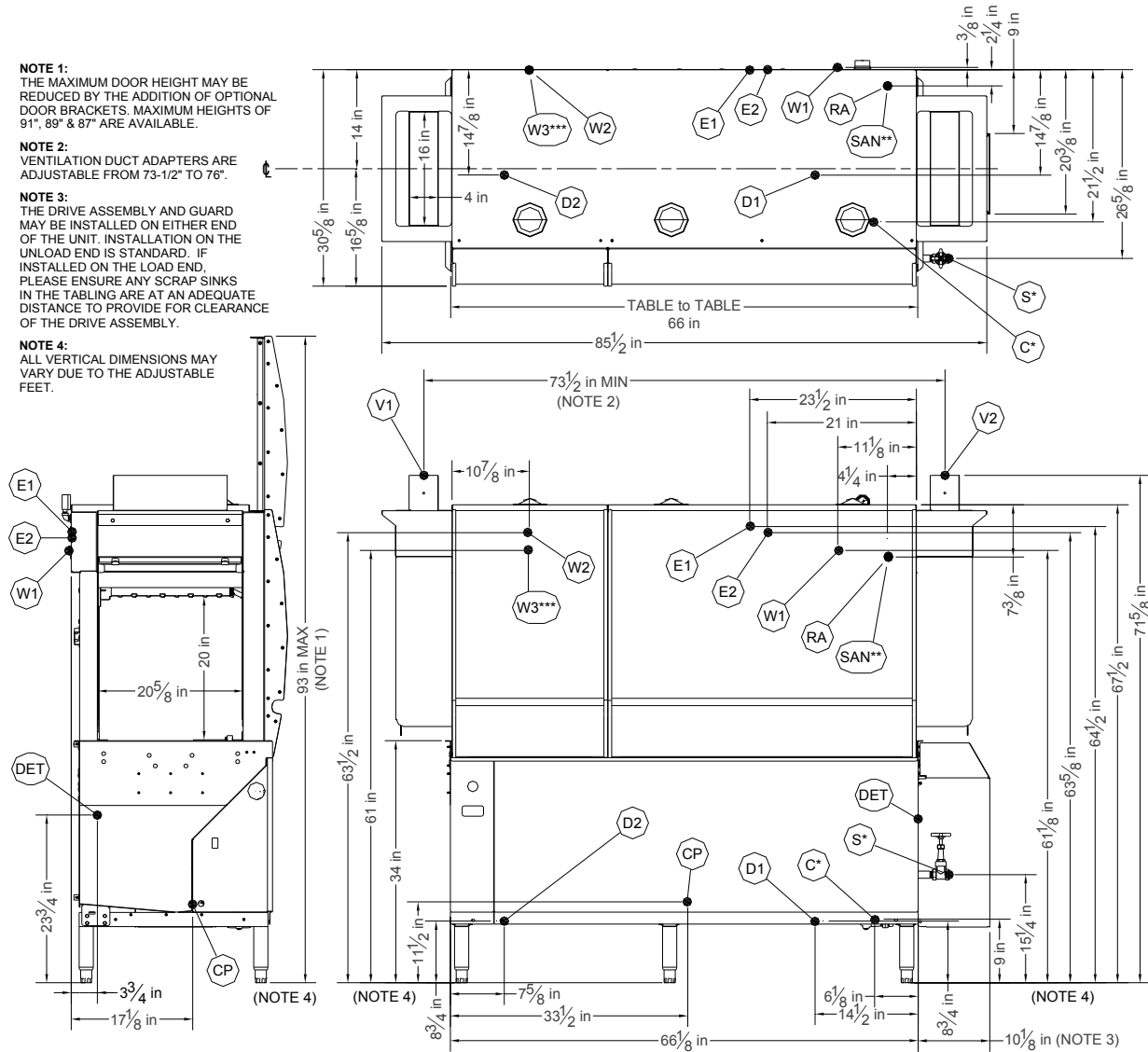
MACHINE DIMENSION (66" Left to Right)

NOTE 1:
THE MAXIMUM DOOR HEIGHT MAY BE REDUCED BY THE ADDITION OF OPTIONAL DOOR BRACKETS. MAXIMUM HEIGHTS OF 91", 89" & 87" ARE AVAILABLE.

NOTE 2:
VENTILATION DUCT ADAPTERS ARE ADJUSTABLE FROM 73-1/2" TO 76".

NOTE 3:
THE DRIVE ASSEMBLY AND GUARD MAY BE INSTALLED ON EITHER END OF THE UNIT. INSTALLATION ON THE UNLOAD END IS STANDARD. IF INSTALLED ON THE LOAD END, PLEASE ENSURE ANY SCRAP SINKS IN THE TABLING ARE AT AN ADEQUATE DISTANCE TO PROVIDE FOR CLEARANCE OF THE DRIVE ASSEMBLY.

NOTE 4:
ALL VERTICAL DIMENSIONS MAY VARY DUE TO THE ADJUSTABLE FEET.



* APPLIES TO STEAM HEATED UNITS

** CHEMICAL SANITIZING UNITS ONLY

*** PRE-WASH COLD WATER THERMOSTAT OPTION ONLY

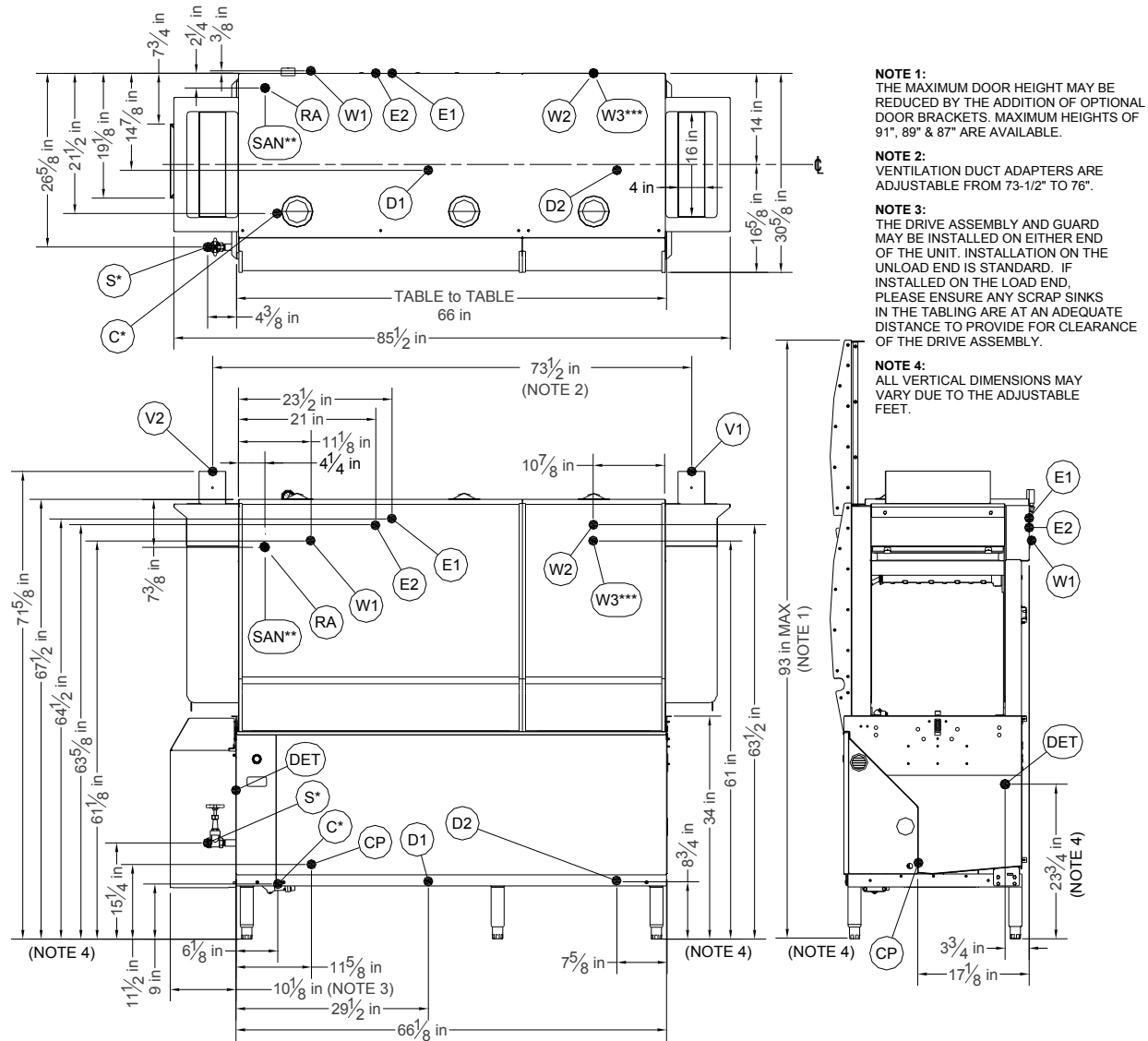
E1	MAIN ELECTRICAL CONNECTION (1.375" DIA HOLE)	SAN**	SANITIZER INLET TO RINSE (1/8" NPT-F)
E2	BOOSTER HEATER ELECT. CONNECTION (1.375" DIA)	RA	RINSE AID CONNECTION TO RINSE (1/8" NPT-F)
W1	MAIN INLET WATER CONNECTION (1/2 NPT-F)	CP	CONDUCTIVITY PROBE ACCESS (.875" DIA HOLE)
W2	PRE-WASH INLET WATER CONN. (1/2 NPT-F)	S*	STEAM TO WASH TUB HEATING COIL (3/4" NPT-F)
W3***	PRE-WASH COLD WATER CONN. (1/2 NPT-F)	C*	CONDENSATE RETURN (3/4" NPT-F)
D1	DRAIN CONNECTION, WASH (1-1/2" NPT-F)	V1	VENTILATION DUCT CONN. (LOAD END) 4" x 16" ID
D2	DRAIN CONNECTION, PRE-WASH (1-1/2" NPT-F)	V2	VENTILATION DUCT CONN. (UNLOAD END) 4" x 16" ID
DET	DETERGENT BULKHEAD ACCESS (.875" DIA HOLE)		

Page Created: 06-30-2011

Revised: N/A

Technical Manual (07610-003-78-18)

MACHINE DIMENSION (66" Right to Left)



NOTE 1:
THE MAXIMUM DOOR HEIGHT MAY BE REDUCED BY THE ADDITION OF OPTIONAL DOOR BRACKETS. MAXIMUM HEIGHTS OF 91", 89" & 87" ARE AVAILABLE.

NOTE 2:
VENTILATION DUCT ADAPTERS ARE ADJUSTABLE FROM 73-1/2" TO 76".

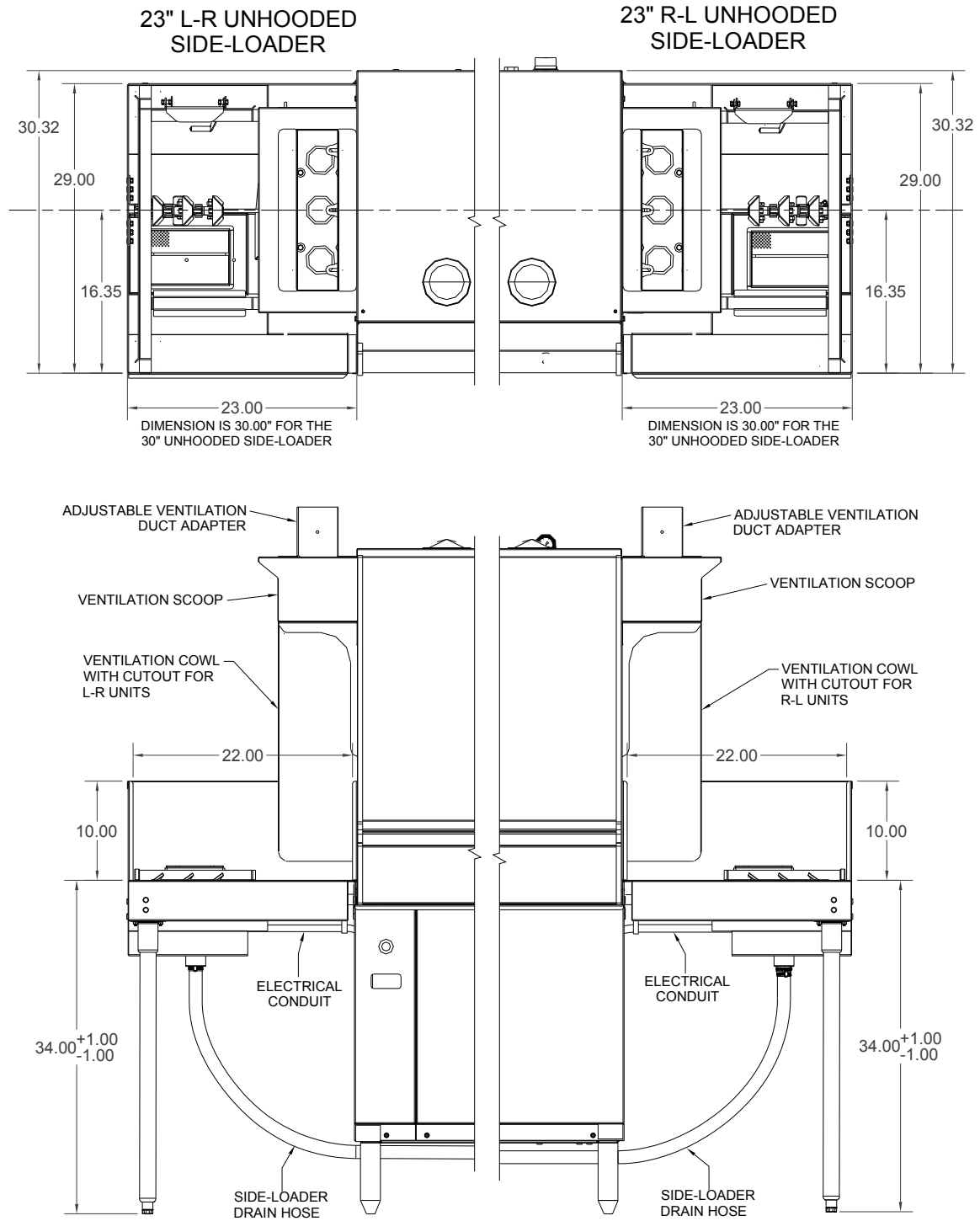
NOTE 3:
THE DRIVE ASSEMBLY AND GUARD MAY BE INSTALLED ON EITHER END OF THE UNIT. INSTALLATION ON THE UNLOAD END IS STANDARD. IF INSTALLED ON THE LOAD END, PLEASE ENSURE ANY SCRAP SINKS IN THE TABLING ARE AT AN ADEQUATE DISTANCE TO PROVIDE FOR CLEARANCE OF THE DRIVE ASSEMBLY.

NOTE 4:
ALL VERTICAL DIMENSIONS MAY VARY DUE TO THE ADJUSTABLE FEET.

- * APPLIES TO STEAM HEATED UNITS
- ** CHEMICAL SANITIZING UNITS ONLY
- *** PRE-WASH COLD WATER THERMOSTAT OPTION ONLY

E1	MAIN ELECTRICAL CONNECTION (1.375" DIA HOLE)	SAN**	SANITIZER INLET TO RINSE (1/8" NPT-F)
E2	BOOSTER HEATER ELECT. CONNECTION (1.375" DIA)	RA	RINSE AID CONNECTION TO RINSE (1/8" NPT-F)
W1	MAIN INLET WATER CONNECTION (1/2 NPT-F)	CP	CONDUCTIVITY PROBE ACCESS (.875" DIA HOLE)
W2	PRE-WASH INLET WATER CONN. (1/2 NPT-F)	S*	STEAM TO WASH TUB HEATING COIL (3/4" NPT-F)
W3***	PRE-WASH COLD WATER CONN. (1/2 NPT-F)	C*	CONDENSATE RETURN (3/4" NPT-F)
D1	DRAIN CONNECTION, WASH (1-1/2" NPT-F)	V1	VENTILATION DUCT CONN. (LOAD END) 4" x 16" ID
D2	DRAIN CONNECTION, PRE-WASH (1-1/2" NPT-F)	V2	VENTILATION DUCT CONN. (UNLOAD END) 4" x 16" ID
DET	DETERGENT BULKHEAD ACCESS (.875" DIA HOLE)		

SIDE LOADER DIMENSIONS

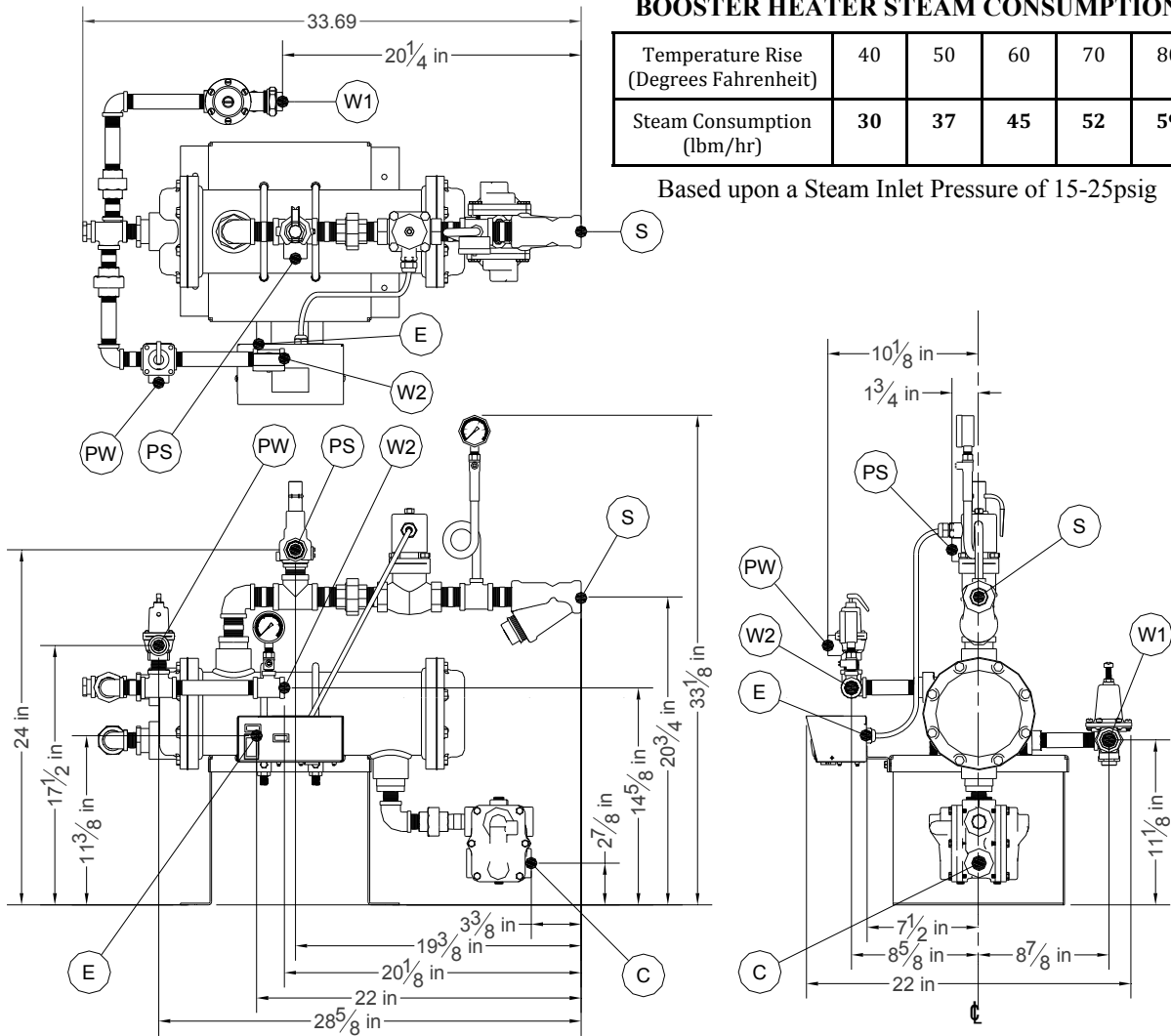


STEAM BOOSTER HEATER DIMENSIONS

BOOSTER HEATER STEAM CONSUMPTION

Temperature Rise (Degrees Fahrenheit)	40	50	60	70	80
Steam Consumption (lbm/hr)	30	37	45	52	59

Based upon a Steam Inlet Pressure of 15-25psig



E	MAIN ELECTRICAL CONNECTION (7/8" DIA HOLE)
W1	MAIN INLET WATER CONNECTION (3/4 NPT-F)
W2	WATER OUTLET CONNECTION (3/4 NPT-F)
PW	WATER PRESSURE RELIEF OUTLET (3/4 NPT-F)
PS	STEAM PRESSURE RELIEF OUTLET (1" NPT-F)
S	STEAM SUPPLY TO BOOSTER (1" NPT-F)
C	STEAM CONDENSATE CONNECTION (3/4 NPT-F)

Operating Parameters

Model Designation:	44"	66"	44"Steam	66"Steam
Operating Capacity:				
<i>Racks per Hour</i>	218	218	218	218
<i>Dishes per Hour</i>	3488	3488	3488	3488
<i>Glasses per Hour</i>	7848	7848	7848	7848
Tank Capacity (gallons):				
<i>Wash Tank</i>	35.6	35.6	35.6	35.6
<i>Pre-Wash Tank</i>	N/A	15.8	N/A	15.8
Electrical Loads (as applicable):				
<i>Wash Motor HP</i>	3.0	3.0	3.0	3.0
<i>Drive Motor HP</i>	0.25	0.25	0.25	0.25
<i>Pre-Wash Motor HP</i>	N/A	2.0	N/A	2.0
<i>Wash Heater KW</i>	15 or 18	18	N/A	N/A

NOTE: Always refer to the machine data plate for specific electrical and water requirements. The material provided on this page is for reference only and is subject to change without notice.

HOT WATER SANITIZING

Water Temperatures (Fahrenheit):

<i>Pre-Wash Temperature (Recommended)</i>	N/A	110-140	N/A	110-140
<i>Minimum Wash Temperature</i>	160	160	160	160
<i>Minimum Rinse Temperature</i>	180	180	180	180
<i>Incoming Water Temperature</i>				
<i>12 KW Booster</i>	140	140	N/A	N/A
<i>18 KW Booster</i>	110	110	N/A	N/A
<i>No Booster</i>	180	180	180	180

CHEMICAL SANITIZING

Water Temperatures (Fahrenheit):

<i>Pre-Wash Temperature (Recommended)</i>	N/A	110-120	N/A	110-120
<i>Minimum Wash Temperature</i>	120	120	120	120
<i>Minimum Rinse Temperature</i>	120	120	120	120
<i>Incoming Water Temperature</i>				
<i>12 KW Booster</i>	80	80	N/A	N/A
<i>18 KW Booster</i>	50	50	N/A	N/A
<i>No Booster</i>	120	120	120	120

Other Water Requirements:

<i>Water Flow Pressure (PSIG)</i>	15	15	15	15
<i>Flow Rate Minimum (GPM)</i>	1.18	1.18	1.18	1.18
<i>Water Line Size (NPT)</i>	1/2"	1/2"	1/2"	1/2"
<i>Drain Line Size (NPT)</i>	1-1/2"	1-1/2"	1-1/2"	1-1/2"

Steam Requirements

<i>Steam Line for Wash Tank (NPT)</i>	N/A	N/A	3/4"	3/4"
<i>Steam Flow Pressure (PSIG)</i>	N/A	N/A	10-20	10-20
<i>Consumption @ 15 PSIG (lbm/hr)</i>	N/A	N/A	60	60

Notes Regarding Electrical Requirements

All electrical ratings provided in this manual are for reference only. Always refer to the machine data plate to get the exact electrical information for your machine. **All electrical work performed on machines should be done in accordance with applicable local, state, territorial and national codes.** Work should only be performed by qualified electricians and authorized service agents. A list of authorized Service Agencies is located in the back of this manual.

Note that all electrical wiring used in the dish-machine must be rated, at a minimum, for 100C (212F). Furthermore, use copper conductors only.

Where applicable, heating element amperage draws have been adjusted for the assumed input voltage. Jackson assumes incoming voltages will be either 208, 230 or 460 volts. Some of the heating elements used in our machines are actually rated for other voltages, such as 240 or 480 volts. Always verify the amperage draw of the machine in operation when sizing circuit protection.

If your machine is equipped with the optional rinse heater, note the rinse heater has its own electrical connection and therefore requires a separate service. Amperage loads for motors and heaters are called out on the machine data plate for the installation/service technician.

The electrical configurations of the machines are as follows:

Available Electrical Characteristics:

- 208 volt, 60 Hz, single phase
- 230 volt, 60 Hz, single phase
- 208 volt, 60 Hz, three phase
- 230 volt, 60 Hz, three phase
- 460 volt, 60 Hz, three phase

Available Wash Tank Heaters:

- 15KW (standard for CREW 44)
- 18KW (optional for CREW 44, standard for CREW 66)

Available Rinse Heaters ("Booster Heaters"):

- None (standard)
- 12KW (40F rise in temperature)
- 18KW (70F rise in temperature)

Electrical Requirements for 44" Units

44" with 15 kW Wash Heater

Volts	Phase	Freq	Wash Motor Amps	Drive Motor Amps	Wash Heater Amps	FLA	MCA	MOP
208	1	60	10.0 A	1.8 A	72.1 A	83.9 A	86.4 A	96.4 A
230	1	60	10.0 A	1.8 A	*59.9 A	71.7 A	74.2 A	84.2 A
240	1	60	10.0 A	1.8 A	62.5 A	74.3 A	76.8 A	86.8 A
208	3	60	8.6 A	1.1 A	41.6 A	51.3 A	53.5 A	62.1 A
230	3	60	8.4 A	1.1 A	*34.6 A	44.1 A	46.2 A	54.6 A
240	3	60	8.4 A	1.1 A	36.1 A	45.6 A	47.7 A	56.1 A
460	3	60	4.2 A	0.6 A	**17.3 A	22.1 A	23.2 A	27.4 A
480	3	60	4.2 A	0.6 A	18.1 A	22.9 A	24.0 A	28.2 A

44" with 18 kW Wash Heater

Volts	Phase	Freq	Wash Motor Amps	Drive Motor Amps	Wash Heater Amps	FLA	MCA	MOP
208	1	60	10.0 A	1.8 A	86.5 A	98.3 A	100.8 A	110.8 A
230	1	60	10.0 A	1.8 A	*71.9 A	83.7 A	86.2 A	96.2 A
240	1	60	10.0 A	1.8 A	75.0 A	86.8 A	89.3 A	99.3 A
208	3	60	8.6 A	1.1 A	50.0 A	59.7 A	61.9 A	70.5 A
230	3	60	8.4 A	1.1 A	*41.5 A	51.0 A	53.1 A	61.5 A
240	3	60	8.4 A	1.1 A	43.4 A	52.9 A	55.0 A	63.4 A
460	3	60	4.2 A	0.6 A	**20.8 A	25.6 A	26.7 A	30.9 A
480	3	60	4.2 A	0.6 A	21.7 A	26.5 A	27.6 A	31.8 A

44" Steam

Volts	Phase	Freq	Wash Motor Amps	Drive Motor Amps	FLA	MCA	MOP
208	1	60	10.0 A	1.8 A	11.8 A	14.3 A	24.3 A
230	1	60	10.0 A	1.8 A	11.8 A	14.3 A	24.3 A
208	3	60	8.6 A	1.1 A	9.7 A	11.9 A	20.5 A
230	3	60	8.4 A	1.1 A	9.5 A	11.6 A	20.0 A
460	3	60	4.2 A	0.6 A	4.8 A	5.9 A	10.1 A

* Denotes 240 Volt heating elements that have been down-rated when 230 Volts is applied.

** Denotes 480 Volt heating elements that have been down-rated when 460 Volts is applied.

Electrical Requirements for 66" Units

66" with 18 kW Wash Heater

Volts	Phase	Freq	Pre-Wash Motor Amps	Wash Motor Amps	Drive Motor Amps	Wash Heater Amps	FLA	MCA	MOP
208	1	60	10.2 A	10.0 A	1.8 A	86.5 A	108.5 A	111.1 A	121.3 A
230	1	60	9.4 A	10.0 A	1.8 A	*71.9 A	93.1 A	95.6 A	105.6 A
240	1	60	9.4 A	10.0 A	1.8 A	75.0 A	96.2 A	98.7 A	108.7 A
208	3	60	6.8 A	8.6 A	1.1 A	50.0 A	66.5 A	68.7 A	77.3 A
230	3	60	6.4 A	8.4 A	1.1 A	*41.5 A	57.4 A	59.5 A	67.9 A
240	3	60	6.4 A	8.4 A	1.1 A	43.4 A	59.3 A	61.4 A	69.8 A
460	3	60	3.2 A	4.2 A	0.6 A	**20.8 A	28.8 A	29.9 A	34.1 A
480	3	60	3.2 A	4.2 A	0.6 A	21.7 A	29.7 A	30.8 A	35.0 A

66" Steam

Volts	Phase	Freq	Pre-Wash Motor Amps	Wash Motor Amps	Drive Motor Amps	FLA	MCA	MOP
208	1	60	10.2 A	10.0 A	1.8 A	22.0 A	24.6 A	34.8 A
230	1	60	9.4 A	10.0 A	1.8 A	21.2 A	23.7 A	33.7 A
208	3	60	6.8 A	8.6 A	1.1 A	16.5 A	18.7 A	27.3 A
230	3	60	6.4 A	8.4 A	1.1 A	15.9 A	18.0 A	26.4 A
460	3	60	3.2 A	4.2 A	0.6 A	8.0 A	9.1 A	13.3 A

* Denotes 240 Volt heating elements that have been down-rated when 230 Volts is applied.

** Denotes 480 Volt heating elements that have been down-rated when 460 Volts is applied.

Electrical Requirements for Booster Tanks

40° F Rise - 12 KW Booster

Volts	Phase	Freq	Rinse Heater Amps	FLA
208	1	60	57.7 A	57.7 A
230	1	60	47.9 A	47.9 A
208	3	60	33.3 A	33.3 A
230	3	60	27.7 A	27.7 A
460	3	60	13.8 A	13.8 A

70° F Rise - 18 KW Booster

Volts	Phase	Freq	Rinse Heater Amps	FLA
208	1	60	82.7 A	82.7 A
230	1	60	71.9 A	71.9 A
208	3	60	47.7 A	47.7 A
230	3	60	41.5 A	41.5 A
460	3	60	20.7 A	20.7 A

Note: On the 208 volt machines, the rinse heater is actually rated at 17.2 KW

INSTALLATION INSTRUCTIONS

VISUAL INSPECTION: Before installing the unit, check the container and the machine for damage. A damaged container may be an indication there is possible damage to the product. If there is any type of damage to both the container and the unit, **DO NOT THROW AWAY THE CONTAINER**. The dish-machine has been previously inspected at the factory and is expected to arrive to you in new, undamaged condition. However, rough handling by carriers or others may result in damage to the unit while it is in transit. If such a situation occurs, **DO NOT RETURN THE UNIT TO THE MANUFACTURER**. Instead, contact the carrier and ask them to send a representative to the site to inspect the damage. You should request that an inspection report be completed. You must contact the carrier within 48 hours of receiving the machine in order to report possible freight damage. You are also encouraged to contact the dealer through which you purchased the unit.

UNPACKING THE MACHINE: The machine should be unboxed and removed from the pallet prior to installing. Also remove the wooden lift beams and their associated brackets after the unit has been positioned. Open the front door and remove all of the materials from the inside. Once unpacked, verify there are no missing parts to the best of your ability. If you discover a part is missing, contact the manufacturer immediately.

LEVEL THE DISHMACHINE: The dish-machine is designed to operate while level. This is important to prevent any damage to the machine during operation and to ensure the best results possible. The unit comes equipped with adjustable bullet feet, which can be turned using a pair of pliers. Verify the unit is level from front to back and side to side prior to making any electrical or plumbing connections.

PLUMBING THE MACHINE: All plumbing connections must be made to adhere to local, state, territorial and national codes. The installing plumber is responsible for ensuring the incoming water lines are flushed of debris prior to connecting to the machine. Note that chips and materials from cutting processes can become lodged in the solenoid valves and prevent them from opening or closing. Any valves that are found to be fouled or defective because of foreign matter left in the water line, and any subsequent water damage, are not the responsibility of the manufacturer.

Water hardness should be a maximum of 6 grains per gallon. Hard water should be treated prior to be used by the machine. Iron in the water line can cause staining. A filter designed to remove iron from the water supply is highly recommended for supplies in excess of 0.1 ppm.

Your dish-machine comes with a Water Pressure Regulating Valve. The unit utilizes a flow pressure of 15 PSI for the incoming water line. Do not confuse static pressure with flow pressure. Static pressure is the pressure when there is no flow and the valves are closed; flow pressure is when the water is running into the machine. The WPRV should be adjusted to the proper flow pressure at a minimum.

The water supply line shall be 1/2" NPT minimum and must be able to provide water at the minimum temperature indicated on the machine data plate.

It is recommended a shut-off valve be installed to allow isolating the dish-machine from the water system in the event maintenance or other activities require it. Also, it is suggested that a shock absorber be in-

INSTALLATION INSTRUCTIONS (CONTINUED)

stalled on the incoming water line. This prevents water hammer (hydraulic shock), induced by the solenoid valve as it operates, from causing damage to the equipment.

CONNECTING THE DRAIN LINE: The drain for the unit is a gravity discharge drain. All piping to the machine drain must be a minimum 1-1/2" NPT AND SHALL NOT BE REDUCED. There must also be an air gap between the machine drain line and the floor sink or drain. If a grease trap is required by code, it should have a flow capacity of 30 gallons. 44" units have one drain connection point. 66" units have two points.

STEAM LINE CONNECTIONS: Some machines covered in this manual are designed to use low pressure steam as a source of heat for the wash tank. Those machines come with lines by which an outside source of steam (i.e. steam booster) is connected. Connect all steam lines from the booster to the machine in accordance with the booster manufacturer's instructions. Ensure that all applicable codes and regulations are adhered to. See the machine data plate for information related to steam flow requirements.

ELECTRICAL POWER CONNECTIONS: All electrical connections are to be made in accordance with applicable portions of local, state, territorial and national codes.

DISCONNECT ELECTRICAL POWER SUPPLIES AND TAG OUT IN ACCORDANCE WITH APPROPRIATE PROCEDURES AND CODES AT THE DISCONNECT SWITCH TO INDICATE YOU ARE WORKING ON THAT CIRCUIT.

This manual provides reference information regarding electrical requirements and loads, but that information may change without notice. Always refer to the machine data plate for voltage requirements, machine voltage, total amperage load and serial number. If you cannot read your data plate because it has been damaged, you should contact the manufacturer.

The main power terminal blocks (for the dish-machine and for the rinse booster heater, if applicable) are located at the top of the machine. You will have to remove the top cover to access these connections. Route incoming power lines within conduit that will connect via fittings to the pre-punched holes in the back of the unit. Install power and ground wires to lugs as indicated by the appropriate decals in the control box. Use copper conductors only. Use of an anti-oxidation agent is permissible on the power connections. Tighten all connections.

Verify the incoming voltage matches the voltage indicated on the decal next to the incoming power pre-punched hole.

Please note the dish-machine has a separate power connection from the rinse booster heater and the circuit protection requirements are different for each. Refer to the machine data plate for information on minimum circuit protection.

DISHMACHINE VENTILATION: The dish-machine should be located with provisions for venting into an adequate exhaust hood or ventilation system. This is essential to permit efficient removal of the condensation exhaust. Ensure the exhaust system is acceptable in accordance with applicable codes and standards.

INSTALLATION INSTRUCTIONS (CONTINUED)

Note: any damage that is caused by steam and/or moisture due to improper ventilation is NOT covered under the warranty.

The dish-machine has the following ventilation requirements:

- Load End: 200 CFM
- Unload End: 200 CFM

The exhaust system must be sized to handle this volume for the dish-machine to operate in the manner it was designed to.

THERMOSTATS: The thermostats on your unit have been set at the factory for the wash tank. They should only be adjusted by an authorized service agent.

CHEMICAL FEEDER EQUIPMENT: Your dish-machine DOES NOT COME WITH AN INTEGRAL CHEMICAL SUPPLY/FEEDER SYSTEM. You must connect the unit to a third party chemical dispenser that meets the requirements of NSF Standard 29 for the machine to operate correctly.

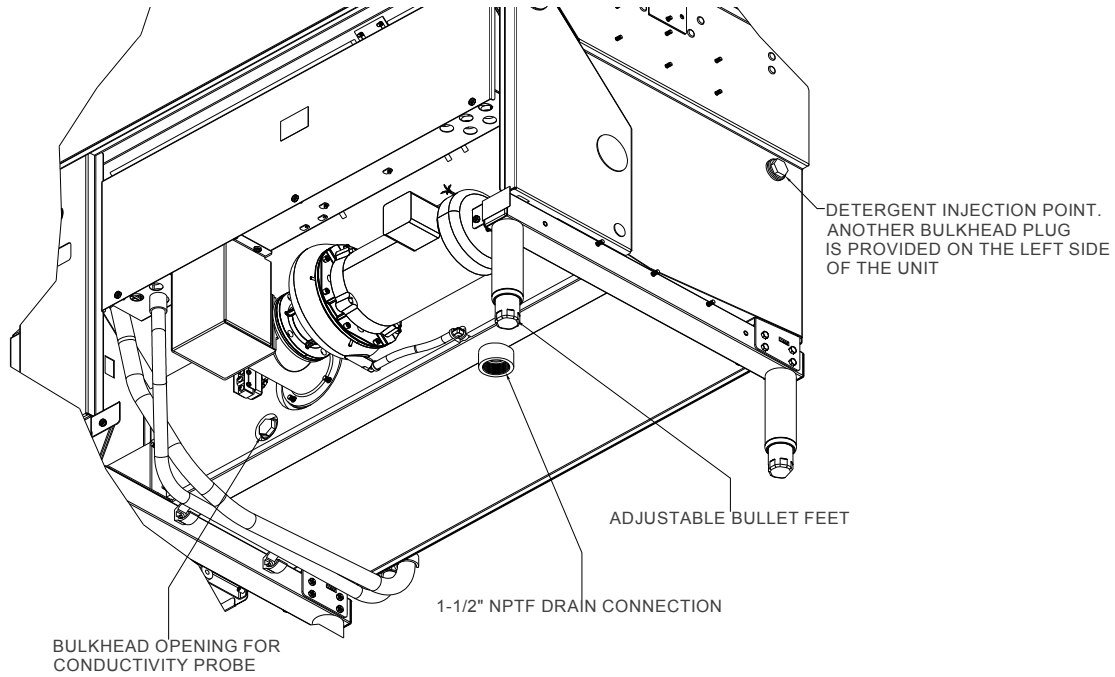
You should contact your chemical supplier about connecting a dispenser to your dish-machine. Chemical dispensers must be set for the type and concentration of chemicals being used and there are several factors that have to be taken into account.

Detergent usage and water hardness are two factors that contribute greatly to how efficiently your dish machine will operate. Using the proper amount of detergent can become, in time, a source of substantial savings. A qualified water treatment specialist can explain in detail to you what is needed to gain the maximum efficiency from your detergent.

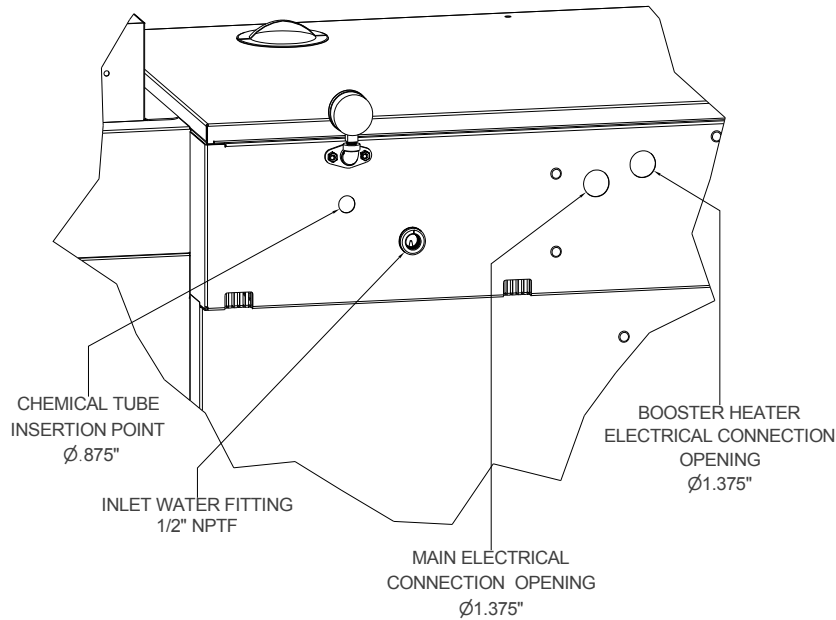
The dish-machine is able to operate in either hot water sanitizing mode or chemical sanitizing mode. Your unit should be clearly marked above the data plate as to the mode it is in. If you cannot determine this, contact the manufacturer immediately for assistance.

It is important to remember that if you decide to operate the unit in chemical sanitizing mode, you must ensure an appropriate chlorine-based sanitizer is used in the final rinse line.

INSTALLATION INSTRUCTIONS (CONTINUED)



SHOWN FROM REAR OF LEFT TO RIGHT UNIT.
RIGHT TO LEFT UNIT IS MIRRORED

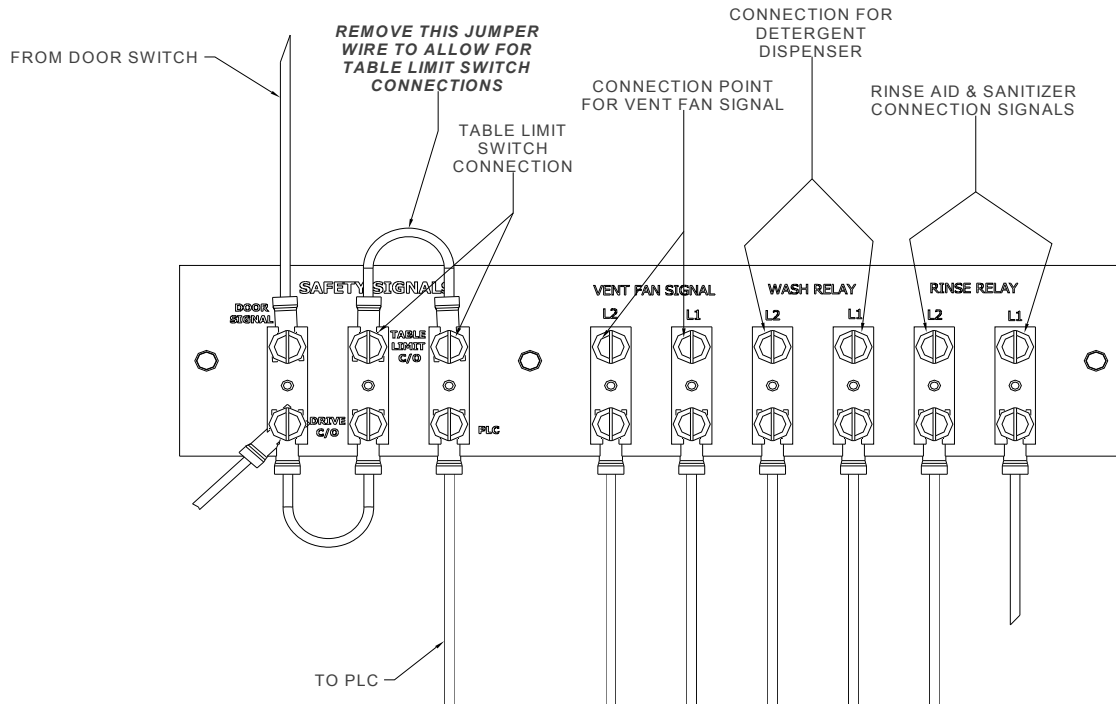


Page Created: 05-04-2010
Revised: N/A

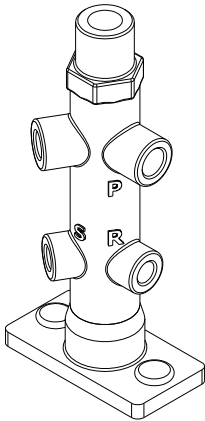
INSTALLATION INSTRUCTIONS (CONTINUED)

**ELECTRICAL CONNECTION POINTS FOR TABLE LIMIT SWITCH,
VENTILATION FAN SIGNAL & CHEMICAL DISPENSING SYSTEMS**

SIGNAL BOARD IS LOCATED IN THE MAIN CONTROL
BOX BEHIND THE LOWER DRESS PANEL



CHEMICAL DISSIPER TUBE CONNECTION POINTS TO RINSE INJECTOR



P: PRESSURE SWITCH (1/4" NPT)

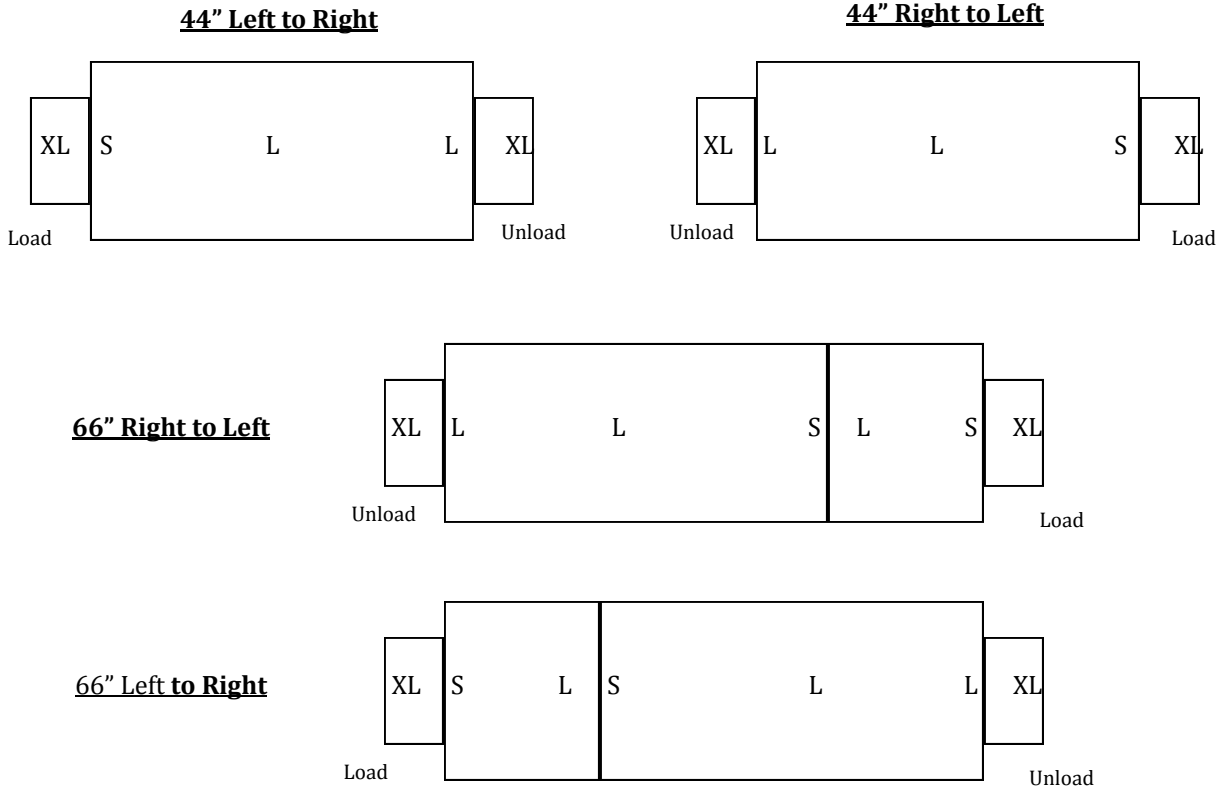
S: SANITIZER (1/8" NPT)

R: RINSE AID (1/8" NPT)

CURTAIN INSTALLATION INSTRUCTIONS

You will find decals on the unit marking the locations for the placement of curtains inside the machine, starting from the load end and going all the way to the unload end. The illustrations below indicates the size of the curtain to be placed on the curtain hooks provided. If you are missing any of the curtain components, it is very important you obtain replacement parts in order to make sure your unit runs correctly. Curtains are used to control the air currents inside your unit and they greatly assist in maintaining the heat necessary to keep energy costs down.

DETERMINING CONVEYOR DIRECTION: Your dish-machine will be configured for either Left to Right or Right to Left operation. Direction is always from the Load End to the Unload End, as shown in the examples.



IMPORTANCE OF PROPER CURTAIN PLACEMENT: The curtains inside the dish-machine are required to be installed in a particular fashion. Note the approximate locations for each type of curtain in the above illustrations. **S=Short, L=Long & XL=Extra Long.** See the chart below for actual curtain lengths and part numbers. Note the XL Curtain and Curtain Rod difference for the Load End when a Side-Loader Option is present

Legend	Length	Part Number
S	12"	08415-131-73-44
L	19"	08415-002-14-41
XL	24.25"	08415-002-47-37
Curtain Rod	20.50"	05700-003-77-52

Side-Loader Option	Length	Part Number
XL (Load End Only)	24.25"	08415-003-84-88
Curtain Rod (Load End Only)		05700-003-84-57

OPERATION INSTRUCTIONS

PREPARATION: Before proceeding with the start-up of the unit, verify the following:

- The drain stopper is installed;
- The strainers are installed;
- The pawl bar is installed and secure;
- The actuator switches move with relative freedom and do not bind;
- The curtains are installed correctly

POWER UP: To place the unit in standby, press the Start Button on the front of the machine.

- The unit will automatically determine if there is a proper water level in the wash tank. If not, the unit will begin to fill until the appropriate level is reached.
- If the wash tank temperature is not at the minimum level for the mode of operation, the wash heater will energize. Refer to the machine data plate for a better understanding of the minimum temperatures needed to operate the unit correctly. It may take several minutes for the wash tank to heat up, depending on the initial temperature of the water.
- If your machine is equipped with a rinse booster option, note the booster shall turn on when the unit turns on.
- If your machine is heated with a steam booster, then you will need to turn on the steam booster in accordance with the manufacturer's instructions.
- It is important that you do not attempt to start the unit until:
 - The unit stops filling;
 - The unit has reached the appropriate wash tank temperature.

FIRST RACK: The first rack of ware that you place into the unit usually has the effect of very quickly reducing the temperature of the wash tank. This is because you are introducing cold materials into the dish-machine environment and the unit has to circulate water to get the heating cycle going. You may have to run the first rack through the unit again. Any time the unit has not been operated for an extended period of time this is possible, but unlikely. This is usually dependent on the type of ware you are using, its temperature and the ambient temperature of the kitchen area. Always observe the temperatures of the wash and rinse when first starting the unit to ensure proper operation.

WARE PREPARATION: Proper preparation of ware is essential for the smooth, efficient operation of your dish-machine. If done properly, you can expect to have fewer re-washes and use substantially less detergent. Any ware placed inside the machine should have all solid food waste and scraps removed. It is recommended that ware also be sprayed down prior to entry into the dish-machine.

Place cups and glasses upside down in racks so they do not hold water during the cycle. Presoak flatware in warm water to assist in getting stuck-on material off. Load plates and saucers in the same direction (with the surface food is placed on facing towards the unload end of the machine).

WASHING A RACK OF WARE: The dish-machine is designed to wash ware placed in a rack. Under no circumstance should any materials be placed inside the unit that have not been properly secured into a dish rack.

To start the cycle, gently push the rack into the unit on the load end. Once the wash actuator has moved sufficiently, the unit will automatically begin to convey the dish rack through the unit. The entire cycle is automatic.

OPERATION INSTRUCTIONS (CONTINUED)

OPERATIONAL INSPECTIONS: It is recommended that operators periodically review the following items while the machine is operating. All of these items are important to operating the machine in an efficient manner.

- Review wash and rinse temperatures and compare to the minimums required by the data plate. Low temperatures can be an indication of a faulty thermostat, a thermostat that needs adjustment or some other condition that needs to be addressed.
- Verify the pan strainers are not becoming clogged. Keeping these free of soil and debris allows for much better flow of water through the machine and prevents any sort of redeposit issues.
- Water pressure. The dish-machine is designed to run at a minimum of **15 PSIG**; any lower than that and you won't have enough rinse water to properly remove detergent from your ware.
- Wash and rinse arm nozzles should be free of debris. Open nozzles are essential to the operation of the dish-machine.

SHUTDOWN: To shut the unit down, press the Start Switch on the front of the machine. To drain the machine, open the front door and pull up on the drain release inside the unit. If you have a steam booster for heating the dish-machine, shut it down in accordance with its manufacturer's instructions.

CLEANING: It is recommended the unit be cleaned at least once every 24 hours or at the end of the day. Cleaning assists in maintained the efficient operation of the unit by removing soil and debris that might otherwise become trapped in nozzles or get deposited onto ware.

- Curtains: should be removed and scrubbed with mild detergent/soap and a brush and allowed to air dry.
- Strainers: should be removed and have debris scooped out. Never hit strainers to remove debris; this can cause them to warp and not seat correctly. Rinse under water should remove the rest of any debris trapped in the part.
- Wash Arms: the wash arms can be removed using a 7/16" driver; however, the dish-machine is designed so the wash arms are self-cleaning. Operators have the ability to flush the arms by removing the plastic end caps and running a rack through the unit. This should only be done as a cleaning function with an empty rack and a tub that is filled with water.
- Internal Chamber: Mild detergent/soap and a dishrag should be all that is needed to clean the inside of the machine. Strainers and the pawl bar should be removed to provide as much room as possible.
- External Areas: The outside of the unit should be cleaned with a standard countertop or general cleaner. Never attempt to clean inside any compartments, boxes or chambers that are secured with a cover. These normally contain live electrical components.
- **DO NOT CLEAN THE UNIT WITH ANY TYPE OF METALLIC SCRUBBING SPONGE!**

DELIME INSTRUCTIONS

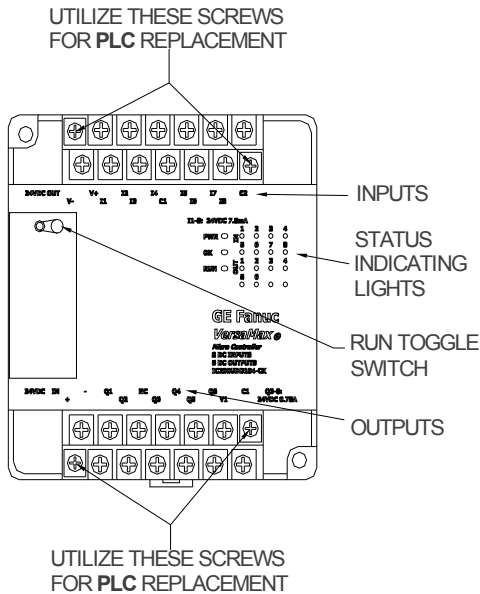
To proceed with the delime operation, fill the dish-machine and the correct amount of delime solution as recommended by the manufacturer of the chemicals. The tank capacities of the machine can be found on the specifications page of this manual.

After the chemicals are added, perform the following steps:

1. Flip the NORMAL/DELIME Switch to DELIME.
2. Disconnect or turn off chemical feeder pumps.
3. Close all doors.
4. Press the Start Switch and run the machine for the length of time required by the chemical solution manufacturer.
5. Press the Start Switch to shut the unit off.
6. Open the door and step away for 5 minutes.
7. Inspect the inside of the unit to determine if your expectations have been met. If not, you may need to run the delime solution through the unit for more time.
8. Once clean, drain the machine completely.
9. Close the door.
10. Refill the unit.
11. Press the Start Switch and run the unit in Manual for 10 minutes.
12. Press the Start Switch to turn off the unit.
13. Open the front door.
14. Drain the unit.
15. Flip the NORMAL/DELIME Switch to NORMAL.
16. Your machine is ready to use.

This equipment is not recommended for use with deionized water or other aggressive fluids. Use of deionized water or other aggressive fluids will result in corrosion and failure of materials and components. Use of deionized water or other aggressive fluids will void the manufacturer's warranty.

TROUBLESHOOTING



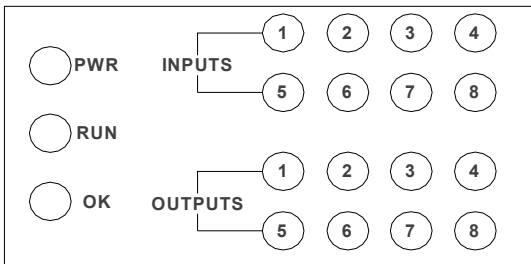
Green LED lights are illuminated on the PLC when in operation. The POWER, OK & RUN lights indicate that 24VDC power is available to the PLC and that it is functioning properly. If the RUN light is out, first check that the RUN toggle switch located behind the snap cover panel of the PLC is in the RUN position. Less likely is that the operational program of the PLC may have been corrupted or lost. Temporary power surges may have occurred. Secure all power to the machine, wait for 30 seconds and restore power. Verify that the Green light is illuminated to the 24vdc power supply immediately to the left of the PLC. If the RUN light is still off, replace the PLC.

Refer to the illustration below for the designation of each LED. PLC1 is used for the 44" Electric & Steam units. An expansion PLC (PLC2) is used in conjunction with PLC1 for 66" Electric & Steam units.

Inputs correspond to the connections behind the top flip up panel of the PLC and are marked I1 thru I8. Outputs correspond to the connections behind the bottom flip up panel of the PLC and are marked Q1 thru Q8.

Note: All outputs are fused. Q1 & Q2 outputs for both PLC's utilize 1.0 Amp fuses and Q3-Q8 outputs utilize 0.75 Amp fuses. When illuminated, the LED lights on the front of each PLC will show the input from and the outputs to various components as illustrated below. LED's that may illuminate on PLC2 that are marked "NOT USED" have no bearing on the operation of the current ware-washers.

**PLC1
LIGHT CONFIGURATION**



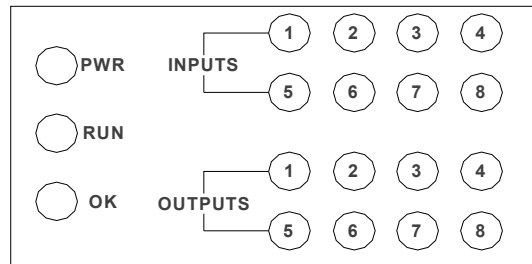
INPUTS:

1. ON/OFF SWITCH
2. DOOR SWITCH SAFETY INTERLOCKS
3. RACK INLET SWITCH
4. FINAL RINSE SWITCH
5. LOWER WASH FLOAT SWITCH
6. UPPER WASH FLOAT SWITCH
7. MANUAL / DELIME SWITCH
8. N/A

OUTPUTS:

1. RINSE SOLENOID / RINSE SIGNAL RELAY
2. WASH TANK FILL SOLENOID
3. DRIVE MOTOR CONTACTOR
4. WASH MOTOR CONTACTOR
5. WASH HEATER CONTACTOR or STEAM HEAT RELAY
6. VENTILATION FAN RELAY
7. N/A
8. SIDE-LOADER SWITCH (ON WITH NO RACK PRESENT)

**PLC2
LIGHT CONFIGURATION**



INPUTS:

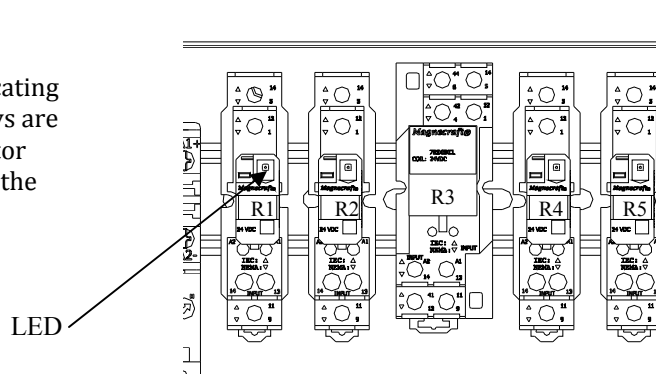
1. LOWER PRE-WASH FLOAT SWITCH (66 UNITS ONLY)
2. UPPER PRE-WASH FLOAT SWITCH (66 UNITS ONLY)
3. N/A
4. N/A
5. N/A
6. N/A
7. N/A
8. N/A

OUTPUTS:

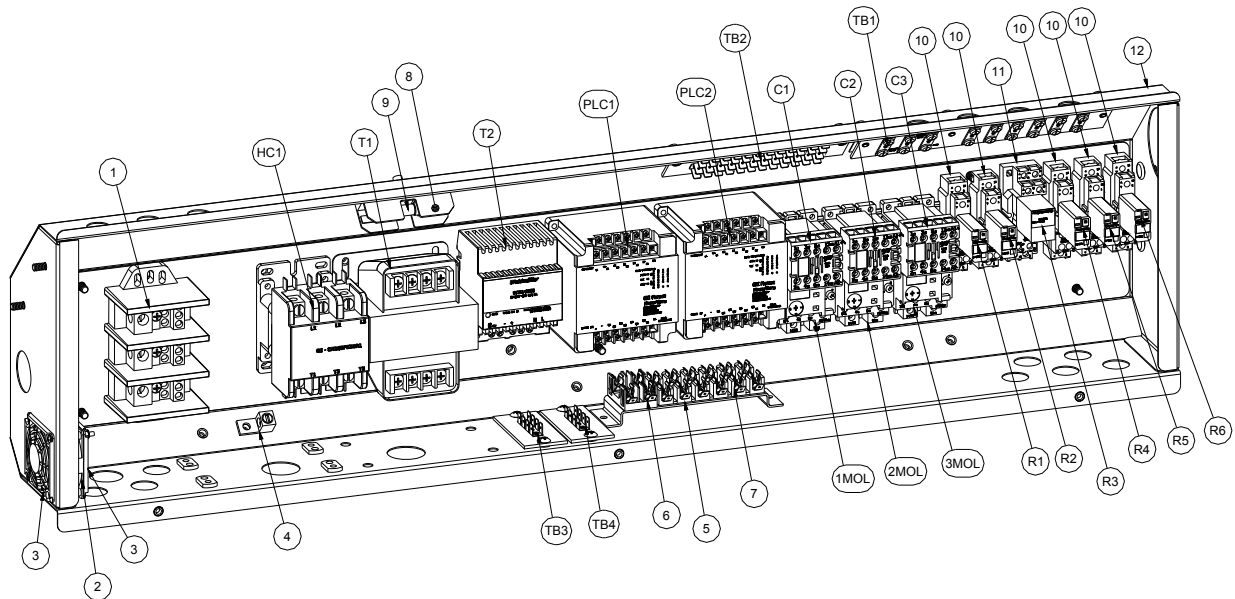
1. PRE-WASH TANK FILL SOLENOID (66 UNITS ONLY)
2. PRE-WASH MOTOR CONTACTOR (66 UNITS ONLY)
3. N/A
4. N/A
5. N/A
6. N/A
7. N/A
8. N/A

PARTS SECTION: CONTROL BOX COMPONENTS

All operational relays utilize green LED indicating lights to verify proper operation. These relays are mounted immediately to the right of the motor contactors. Please refer to the illustration to the right.



THE ILLUSTRATION BELOW DEPICTS THE COMPONENTS OF A 66" ELECTRICALLY HEATED UNIT WITH THE BOOSTER HEATER OPTION. COMPONENT QUANTITIES AND PART NUMBERS MAY VARY FOR DIFFERENT UNITS. PLEASE REFER TO THE NOTES WITHIN THE PARTS LIST ON THE NEXT PAGE TO VERIFY THAT THE REQUIRED PART NUMBER IS CORRECT.



PARTS SECTION: CONTROL BOX COMPONENTS (CONTINUED)

Item	QTY	Description	Part Number
PLC1	1	PLC, 24VDC (IC200UDD104) <i>(PROGRAMED FOR 44" UNITS)</i> <i>(PROGRAMED FOR 66" UNITS)</i>	05945-003-92-50 05945-003-92-51
PLC2	1	PLC, 24VDC (IC200UEX014) <i>(66" UNITS ONLY)</i>	05945-003-82-47
T1	1	TRANSFORMER 208 TO 120VAC <i>(208 VOLT UNITS)</i> TRANSFORMER 230/460 TO 120VAC	05950-011-75-59 05950-011-68-35
T2	1	POWER SUPPLY 24VDC	05950-003-76-32
HC1	1	CONTACTOR, 24VDC 3 POLE <i>(USED ON 3-PHASE UNITS)</i> CONTACTOR, 24VDC 4 POLE <i>(USED ON 1-PHASE UNITS)</i>	05945-003-75-02 05945-003-73-22
C1	1	CONTACTOR, DRIVE MOTOR	05945-003-75-22
C2	1	CONTACTOR, WASH PUMP	05945-003-75-22
C3	1	CONTACTOR, PRE-WASH MOTOR <i>(66" UNITS ONLY)</i>	05945-003-75-22
R1	1	RELAY, VENT FAN	05945-003-76-34
R2	1	RELAY, RINSE SIGNAL	05945-003-76-34
R3	1	RELAY, TEMPERATURE BOARD	05945-003-79-57
R4	1	RELAY, BOOSTER HEATER <i>(OPTIONAL)</i>	05945-003-76-34
R5	1	RELAY, WASH TANK STEAM <i>(STEAM UNITS ONLY)</i>	05945-003-76-34
R6	1	RELAY, PHOTO CELL TABLE LIMIT <i>(OPTIONAL)</i>	05945-003-76-34
1MOL	1	OVERLOAD, DRIVE MOTOR <i>(USED ON 3-PHASE UNITS)</i>	SEE OVERLOAD PAGE
2MOL	1	OVERLOAD, WASH MOTOR <i>(USED ON 3-PHASE UNITS)</i>	SEE OVERLOAD PAGE
3MOL	1	OVERLOAD, PRE-WASH MOTOR <i>(USED ON 3-PHASE 66" UNITS)</i>	SEE OVERLOAD PAGE
TB1	1	TERMINAL BOARD, SIGNAL	05940-003-77-43
TB2	1	TERMINAL BOARD, DC	05940-003-77-65
TB3	1	TERMINAL BOARD, L1	05940-021-94-85
TB4	1	TERMINAL BOARD, L2	05940-021-94-85
1	1	TERMINAL BLOCK 3 POLE	05940-011-48-27
2	1	FAN, 24 VDC	05999-002-47-12
3	2	FAN FINGER GUARD	05999-003-12-92
4	1	GROUND LUG	05940-200-76-00
5	1	BRACKET, FUSE STRIP	05700-002-42-03
6	1	FUSE HOLDER	05920-401-03-14
7	1	FUSE HOLDER, 6 SLOT	05920-002-42-13
8	1	HOLDER, BUSSMAN FUSE	05920-011-72-89
9	1	FUSE, 1.0 AMP <i>(208 & 230 VOLT UNITS)</i> FUSE, 0.5 AMP <i>(460 VOLT UNITS)</i>	05920-002-67-23 05920-011-72-88
10	5	RELAY SOCKET, 20A 300V <i>(USED FOR R1,R2, R4,R5 & R6)</i>	05945-003-76-33
11	1	RELAY SOCKET, 16A 300V <i>(USED FOR R3)</i>	05945-003-79-58
12	1	CONTROL BOX WELDMENT <i>(44" UNITS)</i> CONTROL BOX WELDMENT <i>(66" UNITS)</i>	05700-003-82-04

PARTS SECTION: OVERLOADS

WASH MOTORS:

Overloads are specified for 3 phase units only.

For GE brand, MT03* series overloads, the process for setting is as follows:

- Determine the Full Load Amps for the wash motor
- Set the overload at the closest setting without going over for the FLA of the motor.
- The overload already compensates for the FLA and will have a set point that is 125% of the FLA.

Example: Wash Motor is rated at 10.0 FLA on the data plate. The replacement MT03* overload would be set at 10.0. It would actually trip at 12.5 Amps.

Wash Motor Voltage	Part Number	GE Part Number
208	05945-003-76-29	MT03N
230	05945-003-76-29	MT03N
460	05945-003-76-27	MT03L

Blue Selector switch should be set to H for manual reset.

DRIVE MOTORS:

Overloads are specified for 3 phase units only.

For GE brand, MT03* series overloads, the process for setting is as follows:

- Determine the Full Load Amps for the drive motor.
- Set the overload at the closest setting without going over for the FLA of the motor.
- The overload already compensates for the FLA and will have a set point that is 125% of the FLA.

Example: Drive Motor is rated at 1.0 FLA on the data plate. The replacement MT03* overload would be set at 1.0. It would actually trip at 1.25 Amps.

Drive Motor Voltage	Part Number	GE Part Number
208	05945-003-76-23	MT03F
230	05945-003-76-23	MT03F
460	05945-003-76-21	MT03D

Blue Selector switch should be set to H for manual reset.

PRE-WASH MOTORS:

Overloads are specified for 3 phase units only.

For GE brand, MT03* series overloads, the process for setting is as follows:

- Determine the Full Load Amps for the drive motor.
- Set the overload at the closest setting without going over for the FLA of the motor.
- The overload already compensates for the FLA and will have a set point that is 125% of the FLA.

Example: Drive Motor is rated at 6.0 FLA on the data plate. The replacement MT03* overload would be set at 6.0. It would actually trip at 7.5 Amps.

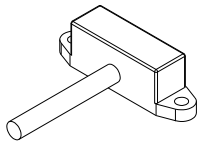
Pre-Wash Motor Voltage	Part Number	GE Part Number
208	05945-003-76-28	MT03M
230	05945-003-76-28	MT03M
460	05945-003-76-26	MT03K

Blue Selector switch should be set to H for manual reset.

NOTE: Connections should be tightened to 7 in-lbs.

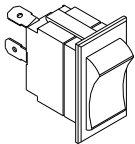
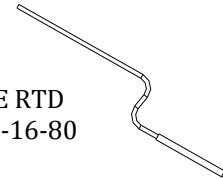
PARTS SECTION: MISCELLANEOUS ELECTRICAL COMPONENTS

Description	Part Number
FITTING, 1", 90 DEGREE HUB (2 per 44" units, 1 per 66" units)	05975-003-77-44
FITTING, 1" STRAIGHT HUB (1 per 66" units)	05975-003-88-01
FITTING, 3/4" STR QT 8495 SNAP	05975-003-77-46
FITTING, 3/4" 90 DEGREE QT 8510 SNAP	05975-003-77-45
FITTING, 1/2" NPT 90 DEGREE 8507	05975-003-35-32
FITTING, 1/2" NPT STR 8490	05975-003-33-27
FITTING, .231 X .394, LIQUIDTITE	05975-011-49-03
CLAMP, 1" FLEX2 CONDUIT 1031	05975-003-77-88
CLAMP, 3/4" FLEX2 CONDUIT 1029	05975-003-77-89
PLUG, 2.5" HOLE, LOUVERED 2596	05975-003-77-39
PLUG, HEYCO 2700 G-875	05975-011-47-81
PLUG, HEYCO, 2723	05975-002-29-94
PLUG, HEYCO, 2683	05340-011-46-79
PLUG, HEYCO, 2790	05975-011-59-49
BUSHING, HEYCO, 2236	05975-003-10-46
GROMMET, 1.250 OD X 1.000 ID	05975-111-58-01
GROMMET, 7/8 SPLIT, HEYCO, 2119	05975-200-40-00



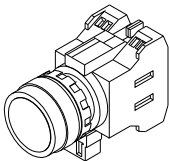
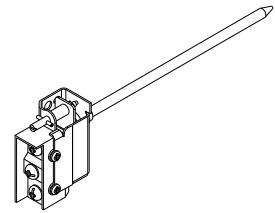
PROXIMITY SWITCH 24VDC
P/N: 05930-003-76-51

TEMPERATURE RTD
P/N: 06680-002-16-80



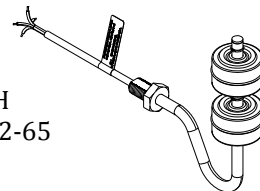
DELIME SWITCH
P/N: 05930-301-46-00

THERMOSTAT
P/N: 05930-510-02-79

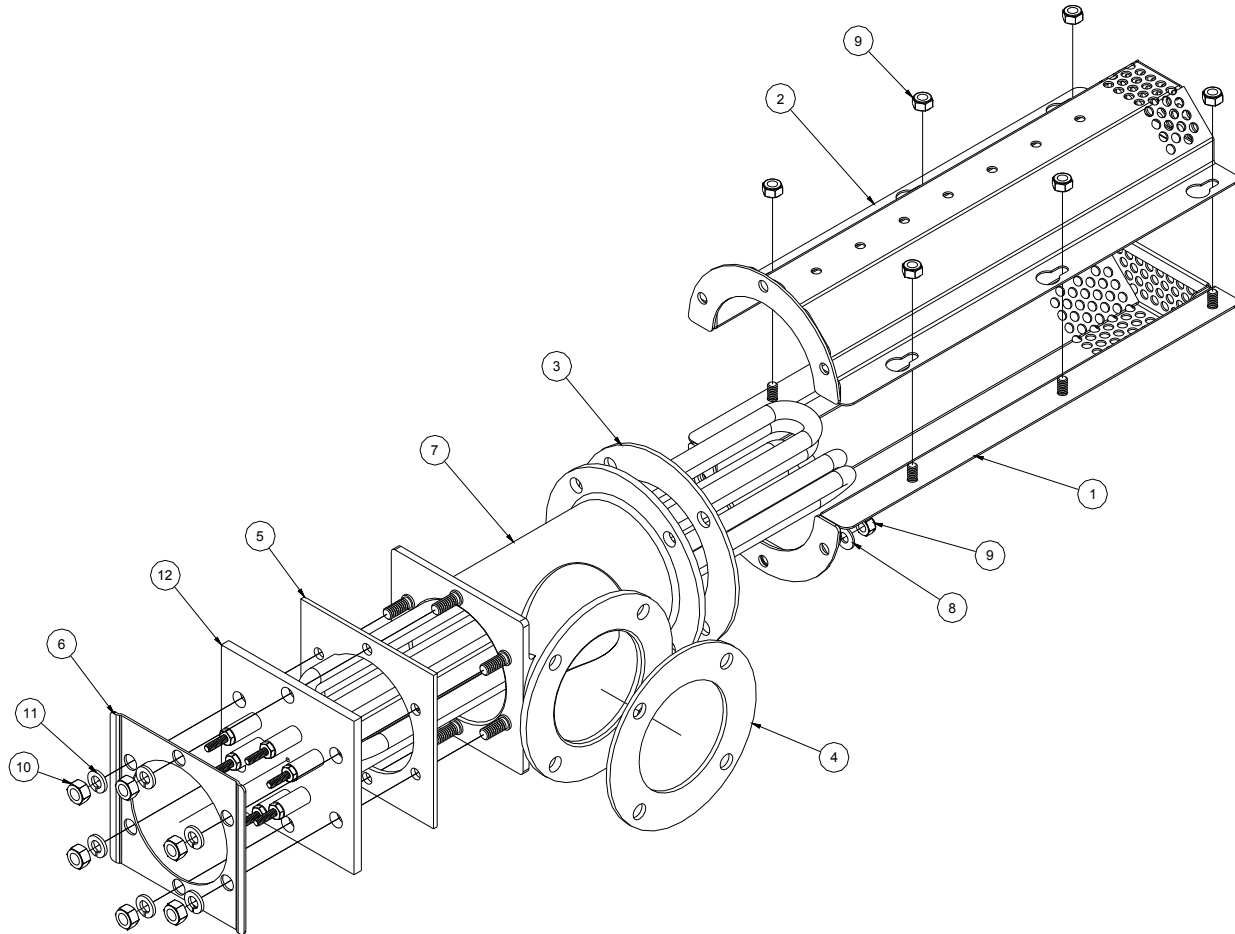


START SWITCH
P/N: 05930-003-76-52

FLOAT SWITCH
P/N: 06680-003-62-65



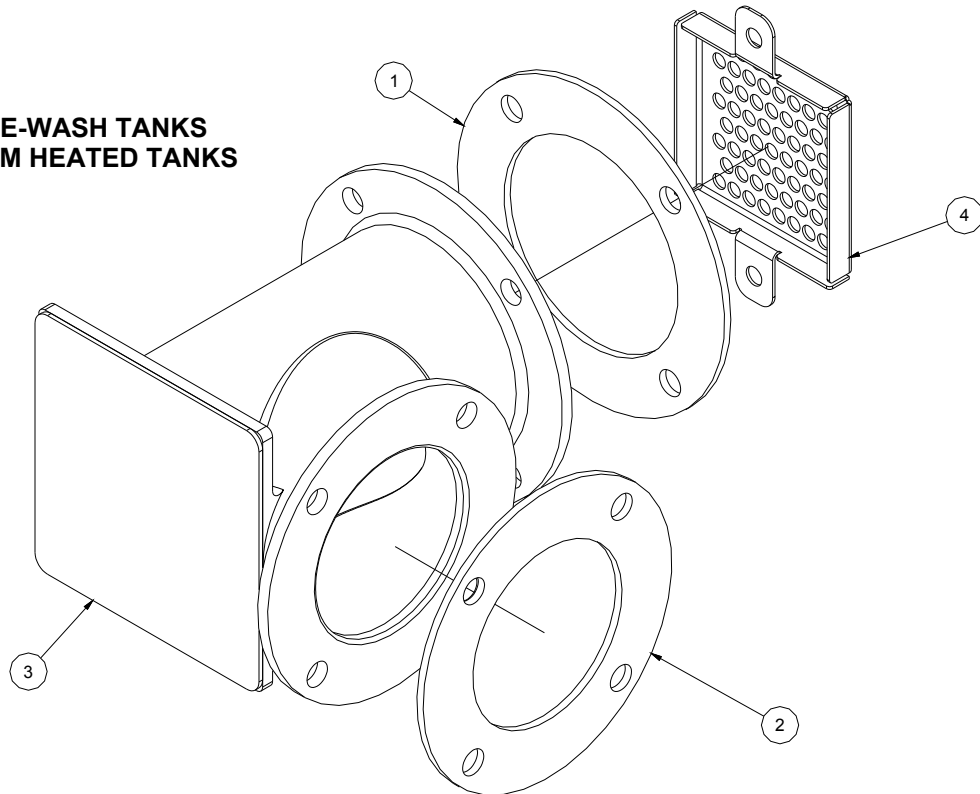
PARTS SECTION: WASH HEATER & HEATER SHROUD ASSEMBLIES



Item	QTY	Description	Part Number
1	1	HEATER SHROUD WELDMENT LOWER	05700-003-74-21
2	1	HEATER SHROUD WELDMENT UPPER	05700-003-74-24
3	1	GASKET, SUCTION CASTING	05330-003-75-89
4	1	GASKET, PUMP SUCTUON	05330-003-75-87
5	1	GASKET, HEATER	05330-200-02-70
6	1	HEATER BOX RAILS	05700-003-74-72
7	1	WASH PUMP SUCTION WELDMENT	05700-003-77-63
8	2	WASHER, S/S (NOT SHOWN)	05311-174-01-00
9	9	LOCKNUT, 1/4"-20 HEX W/NYLON INSERT	05310-374-01-00
10	6	NUT, HEX 5/16-18 S/S	05310-275-01-00
11	6	LOCKWASHER, 5/16" SPLIT S/S	05310-275-01-00
12	1	WASH HEATING ELEMENT (15kW / 18kW)	SEE HEATER CHART

PARTS SECTION: PUMP SUCTION ASSEMBLY

USED ON PRE-WASH TANKS
AND ALL STEAM HEATED TANKS



Item	QTY	Description	Part Number
1	1	GASKET, SUCTION CASTING	05330-003-75-89
2	1	GASKET, PUMP SUCTUON	05330-003-75-87
3	1	PRE-WASH PUMP SUCTION WELDMENT	05700-003-82-27
4	1	STRAINER, PRE-WASH PUMP	05700-003-81-28

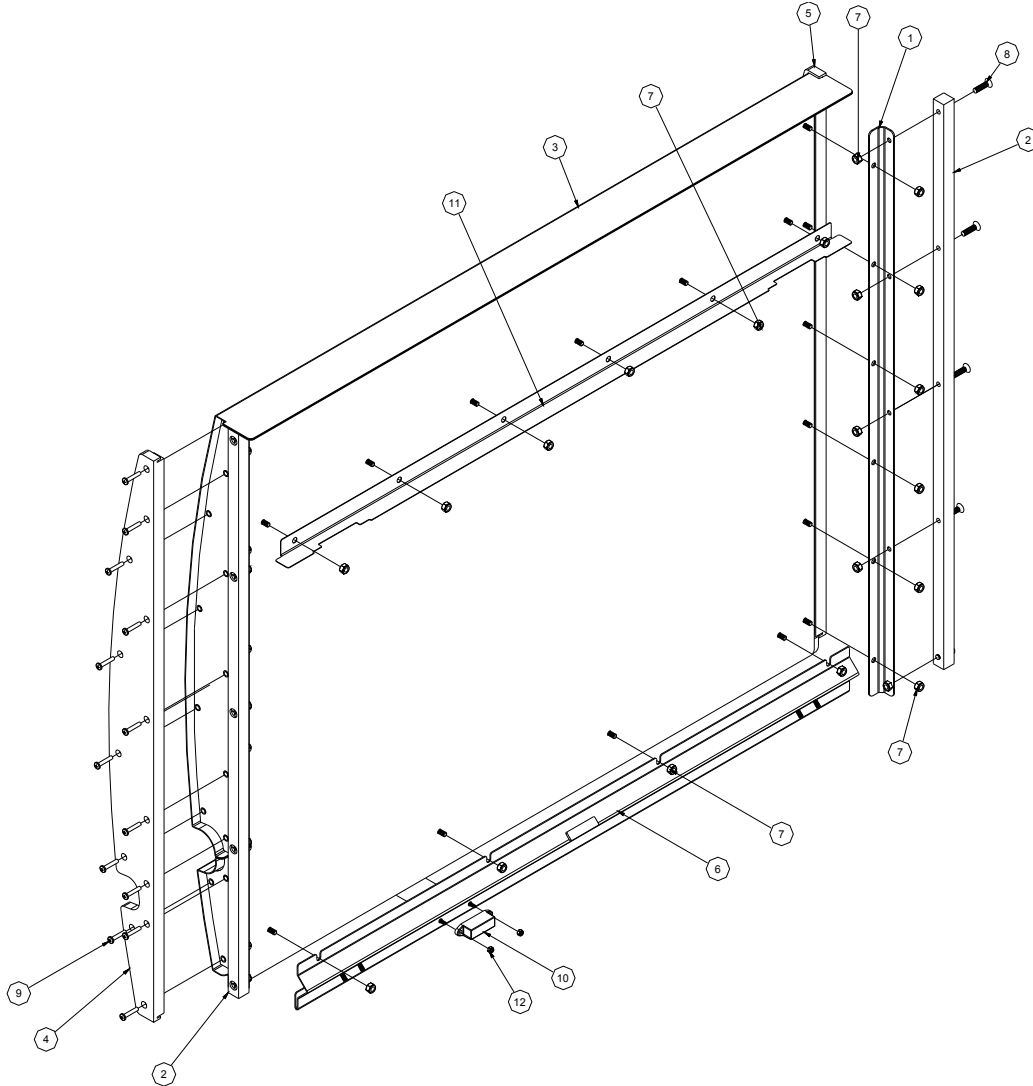
PARTS SECTION: WASH HEATERS

VOLTAGE	PHASE	KW	PART NUMBER	CONTACTOR
208	1	15	04540-121-68-45	05945-003-73-22
230	1	15	04540-121-68-46	05945-003-73-22
208	3	15	04540-121-68-45	05945-003-75-02
230	3	15	04540-121-68-46	05945-003-75-02
460	3	15	04540-121-68-47	05945-003-75-02
208	1	18	04540-121-79-30	05945-003-73-22
230	1	18	04540-121-79-31	05945-003-73-22
208	3	18	04540-121-79-30	05945-003-75-02
230	3	18	04540-121-79-31	05945-003-75-02
460	3	18	04540-121-79-32	05945-003-75-02

SERVICE NOTES: when replacing wash heaters, it is highly recommended you also change out the gasket as well. Once installed, gaskets become compressed and are subject to extreme temperature changes. Replacing the gasket with a new one when replacing the heater may prevent future leaks.

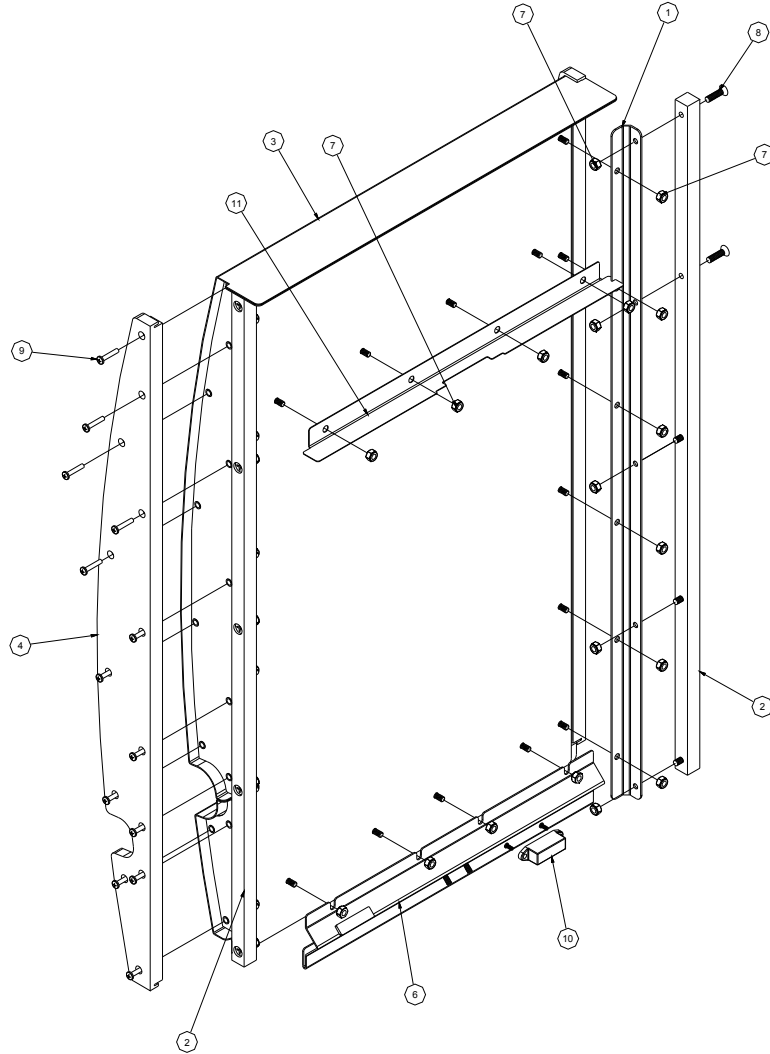
The nuts used to secure the heater to the casting should be torque to 16 in-lbs. After tightening, the unit should be allowed to heat up and operate normally for approximately 30 minutes. Secure power to the machine and check the nuts once more to verify they are torque to 16 in-lbs.

PARTS SECTION: DOOR ASSEMBLY (44)



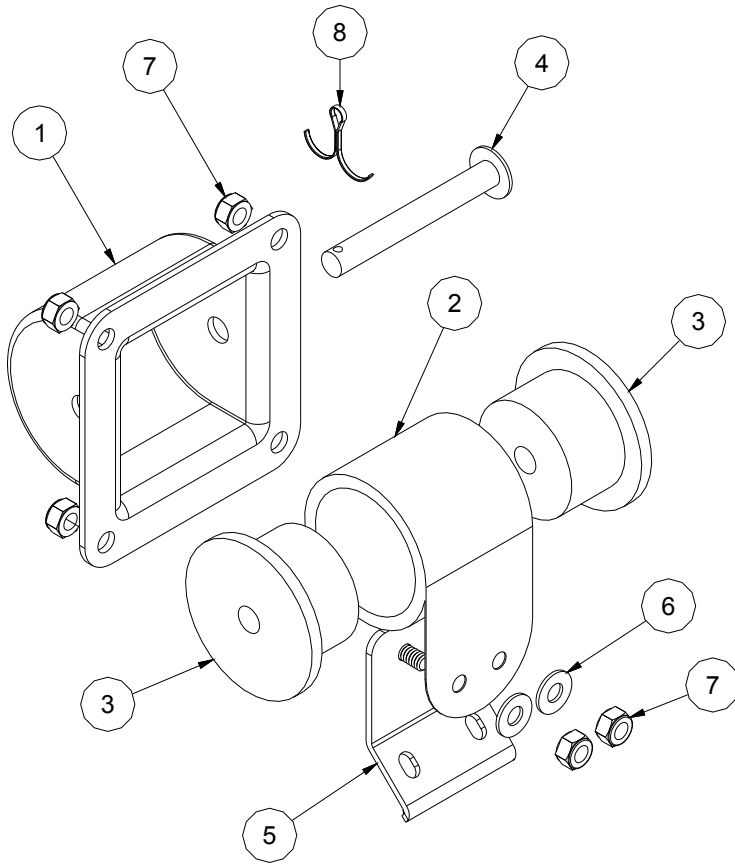
Item	QTY	Description	Part Number
1	2	DOOR GUIDE BRACKET	05700-003-72-32
2	2	DOOR GUIDE	09330-003-73-94
3	1	DOOR WELDMENT	05700-003-76-87
4	1	END PIECE, DOOR RIGHT SIDE	09330-003-73-83
5	1	END PIECE, DOOR LEFT SIDE	09330-003-73-84
6	1	DOOR STOP AND SUPPORT WELDMENT	05700-003-72-51
7	32	LOCKNUT, 1/4"-20 HEX W/NYLON INSERT	05310-374-01-00
8	10	SCREW, 1/4"-20 X 1", 82 COUNTERSINK, PHILLIPS	05305-011-81-58
9	26	SCREW, 10-32 X 1" PHILLIPS PAN HEAD	05305-002-19-42
10	1	MAGNET	05930-002-88-42
11	1	SPLASH SHIELD	05700-003-81-86
12	2	LOCKNUT, 6-31 HEX W/NYLON INSERT	05310-373-03-00

PARTS SECTION: PRE-WASH DOOR ASSEMBLY (22")



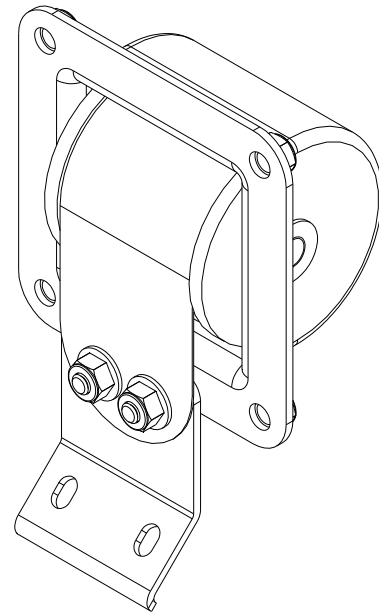
Item	QTY	Description	Part Number
1	2	DOOR GUIDE BRACKET	05700-003-72-32
2	2	DOOR GUIDE	09330-003-73-94
3	1	DOOR WELDMENT	05700-003-80-32
4	1	END PIECE, DOOR RIGHT SIDE	09330-003-73-83
5	1	END PIECE, DOOR LEFT SIDE	09330-003-73-84
6	1	DOOR STOP AND SUPPORT WELDMENT (L-R) DOOR STOP AND SUPPORT WELDMENT (R-L)	05700-003-80-27 05700-003-82-50
7	34	LOCKNUT, 1/4"-20 HEX W/NYLON INSERT	05310-374-01-00
8	10	SCREW, 1/4"-20 X 1", 82 COUNTERSINK, PHILLIPS	05305-011-81-58
9	26	SCREW, 10-32 X 1" PHILLIPS PAN HEAD	05305-002-19-42
10	1	MAGNET	05930-002-88-42
11	1	SPLASH SHIELD	05700-003-82-46
12	2	LOCKNUT, 6-32 HEX W/NYLON INSERT (NOT SHOWN)	05310-373-03-00

PARTS SECTION: DOOR SPRING ASSEMBLY



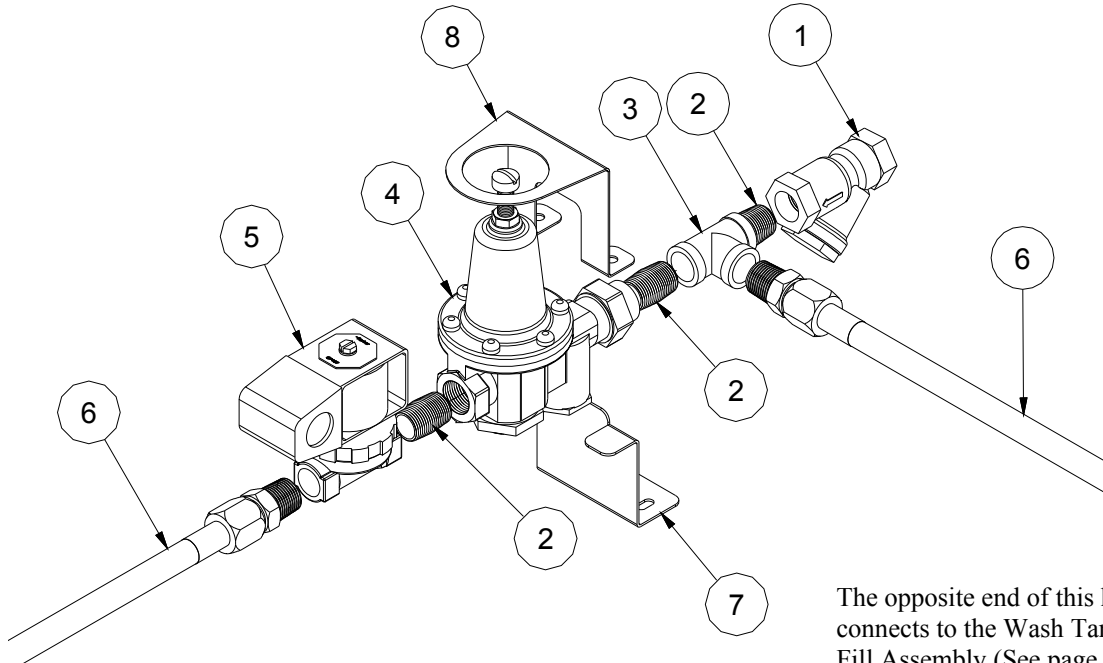
**OVERALL ASSEMBLY:
05700-003-77-49**

44" Wash doors use 2 assemblies
22" Pre-Wash doors use 1 assembly



Item	QTY	Description	Part Number
1	1	CASTING, DOOR SPRING MOUNT	09515-003-73-78
2	1	SPRING, DOOR	05315-002-67-29
3	2	SPINDLE, DOOR SPRING	05700-002-67-28
4	1	PIN, DOOR SPRING	05700-002-83-55
5	1	DOOR SPRING BRACKET WELDMENT	05700-003-74-10
6	2	WASHER, 1/4" S/S	05311-174-01-00
7	6	LOCKNUT, 1/4"-20 HEX W/NYLON INSERT	05310-374-01-00
8	1	PIN, COTTER, 3/32" X 3/4"	05315-207-01-00

PARTS SECTION: PLUMBING ASSEMBLY, MAIN WATER INLET

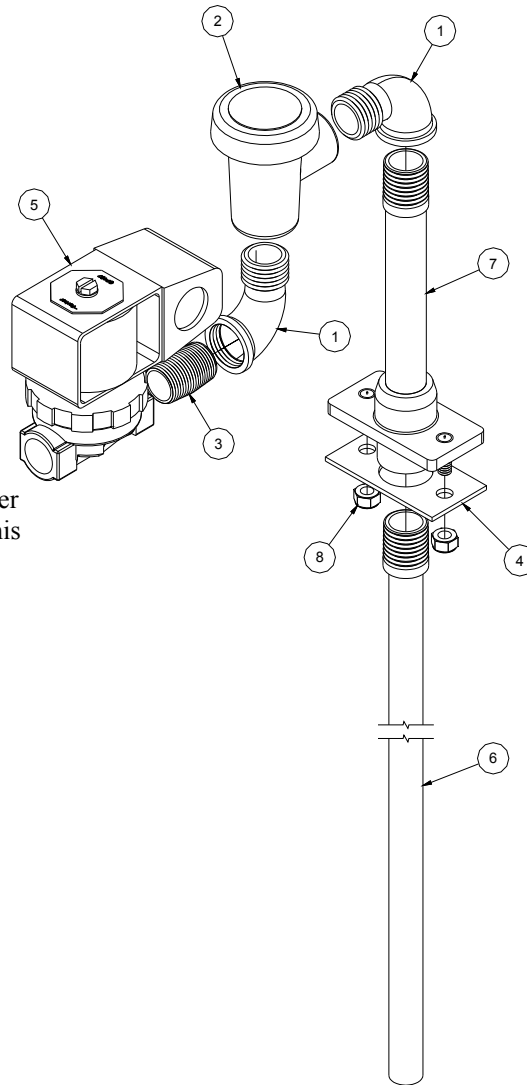


The opposite end of this hose connects to the Final Rinse Assembly (See page 44).
For units with the Booster Heater Option, this hose will connect to the booster heater inlet. (See page 64)

The opposite end of this hose connects to the Wash Tank Fill Assembly (See page 38)

Item	QTY	Description	Part Number
1	1	STRAINER, INLET, 1/2"	04730-217-01-10
2	3	NIPPLE, 1/2", CLOSE, BRASS	04730-207-15-00
3	1	TEE, BRASS, 1/2" X 1/2" X 1/2"	04730-211-27-00
4	1	REGULATOR, 1/2"	04820-100-04-07
5	1	VALVE, 1/2" NPT BRASS, 24VDC COIL	04810-003-75-16
6	2	HOSE, 1/2" X 42" S/S BRAIDED W/PTFE, MALE SWIVEL	04720-003-76-09
7	1	BRACKET, INLET PLUMBING SUPPORT	05700-003-74-42
8	1	BRACKET, UPPER INLET PLUMBING SUPPORT	05700-003-74-86

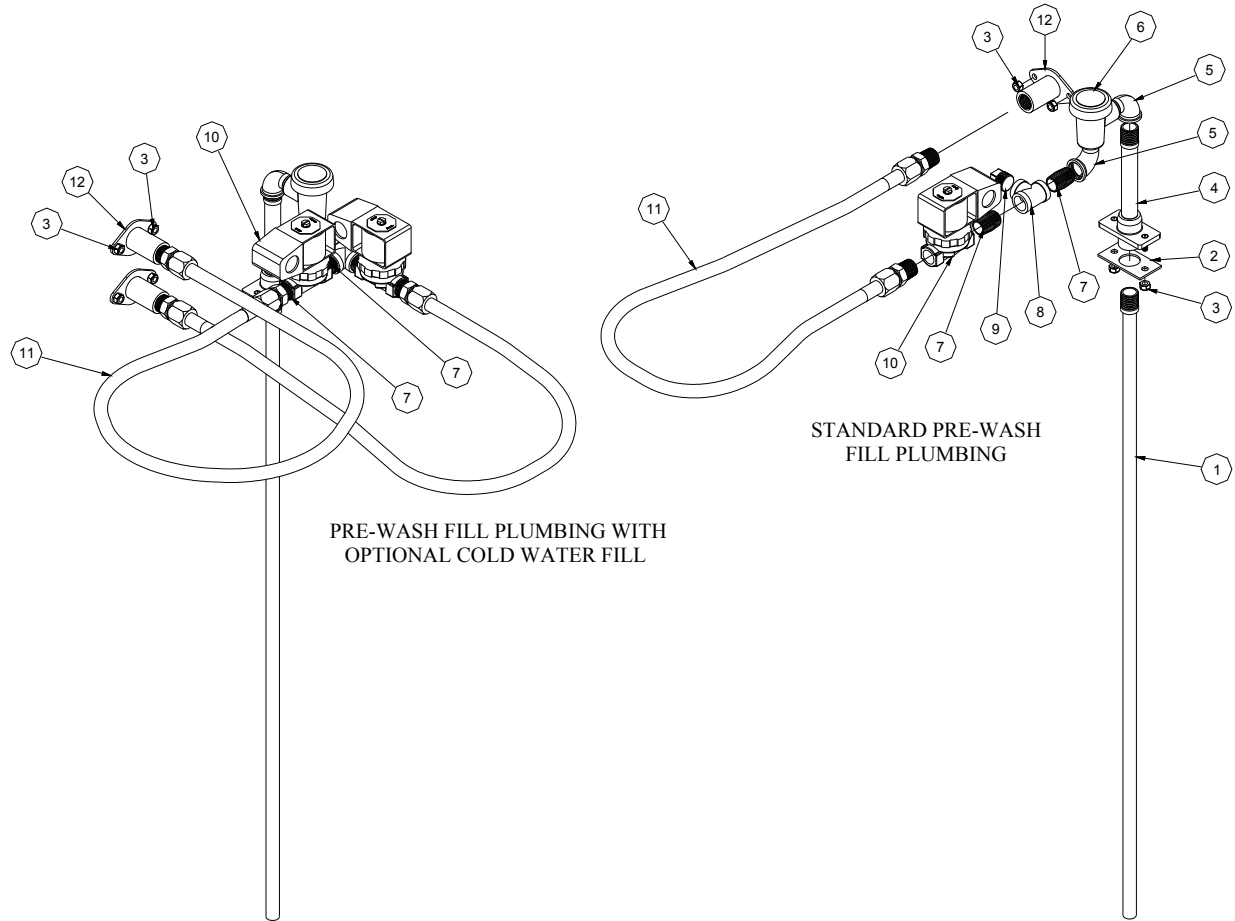
PARTS SECTION: WASH TANK FILL ASSEMBLY



The hose from the Main Water Inlet Plumbing connects to this solenoid valve. (See page37)

Item	QTY	Description	Part Number
1	2	ELBOW, 90 DEGREE, 1/2" STREE, BRASS	04730-206-08-00
2	1	VACUUM BREAKER, 1/2" VACUUM BREAKER REPAIR KIT	04820-003-06-13 06401-003-06-23
3	1	NIPPLE, 1/2" CLOSE, BRASS	04730-207-15-00
4	1	GASKET, RINSE MANIFOLD	05330-003-75-91
5	1	VALVE, 1/2" NPT BRASS, 24VDC COIL	04810-003-75-16
6	1	TUBE WELDMENT, TANK FILL	05700-003-76-81
7	1	TANK FILL INJECTOR WELDMENT	05700-003-76-84
8	2	LOCKNUT, 1/4"-20 HEX WITH NYLON INSERT (NOT SHOWN)	05310-374-01-00

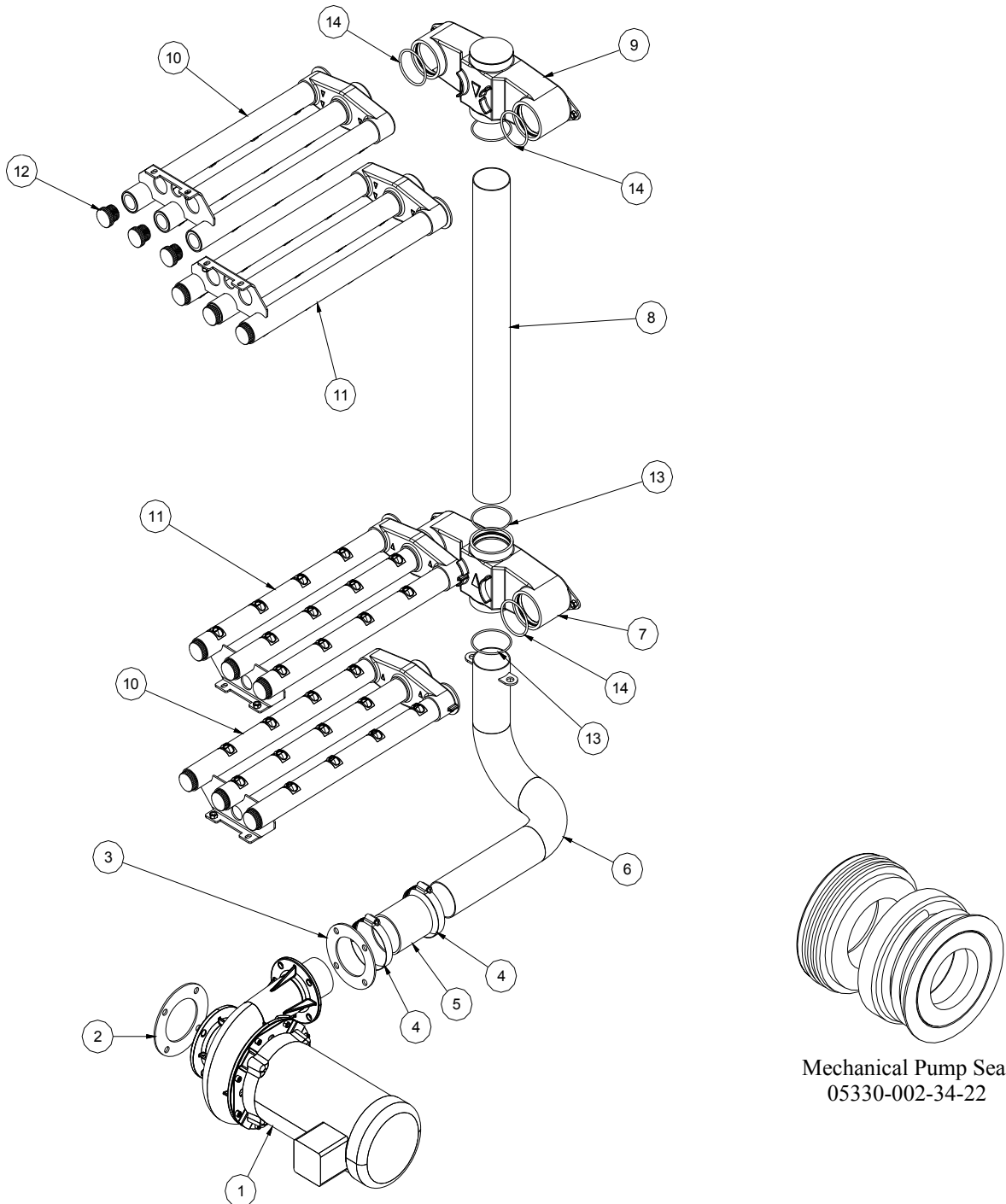
PARTS SECTION: PRE-WASH TANK FILL ASSEMBLIES



Item	QTY (*)	Description	Part Number
1	1	TUBE WELDMENT, TANK FILL	05700-003-76-81
2	1	GASKET, RINSE MANIFOLD	05330-003-75-91
3	4 (6)	LOCKNUT, 1/4"-20 HEX WITH NYLON INSERT (NOT SHOWN)	05310-374-01-00
4	1	TANK FILL INJECTOR WELDMENT	05700-003-76-84
5	2	ELBOW, 90 DEGREE, 1/2" STREET, BRASS	04730-206-08-00
6	1	VACUUM BREAKER, 1/2" <i>VACUUM BREAKER REPAIR KIT</i>	04820-003-06-13 06401-003-06-23
7	2 (3)	NIPPLE, 1/2" CLOSE, BRASS	04730-207-15-00
8	1	TEE, 1/2 x 1/2 x 1/2 NPT BRASS	04730-211-27-00
9	1 (0)	PLUG, 1/2 NPT BRASS (REMOVED FOR COLD WATER FILL OPTION)	04730-209-03-00
10	1 (2)	VALVE, 1/2" NPT BRASS, 24VDC COIL	04810-003-75-16
11	1 (2)	HOSE, 1/2" X 42" S/S BRAIDED W/PTFE, MALE SWIVEL	04720-003-76-09
12	1 (2)	WATER INLET FITTING	05700-003-81-98

* NUMBERS IN PARENTHESIS DENOTE CHANGED QUANTITIES WHEN THE COLD WATER PRE-WASH FILL OPTION IS ADDED.

PARTS SECTION: WASH MANIFOLD AND ARM ASSEMBLY



Page Created: 05-04-2010
Revised: N/A

Technical Manual (07610-003-78-18)

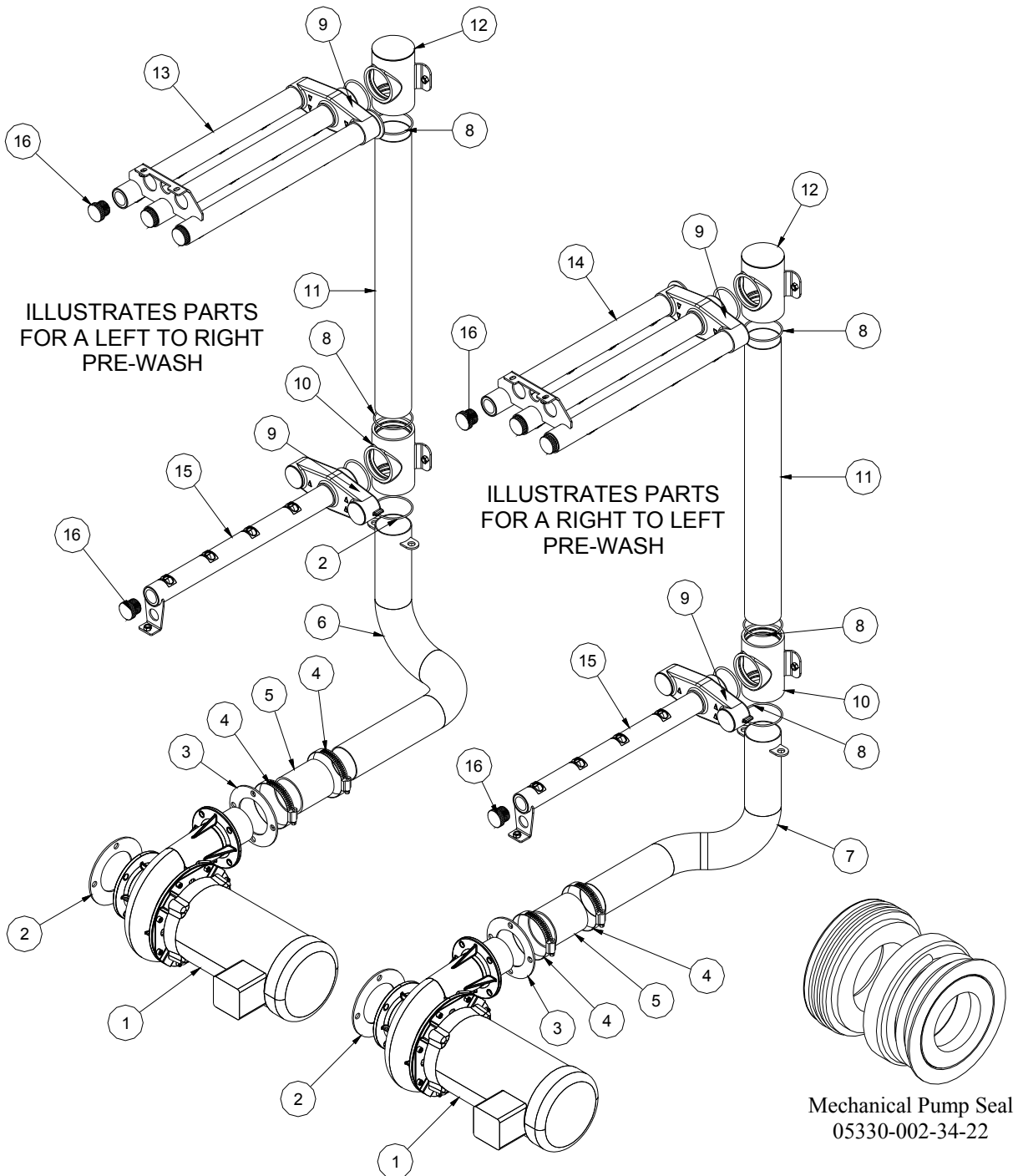
PARTS SECTION: WASH MANIFOLD AND ARM ASSEMBLY (CONTINUED)

Item	QTY	Description	Part Number
1	1	PUMP & MOTOR ASSEMBLY	SEE TABLE BELOW
2	1	GASKET, PUMP SUCTION	05330-003-75-87
3	1	GASKET, PUMP DISCHARGE	05330-003-75-88
4	2	HOSE CLAMP, RANGE 2-9/16" TO 3-1/2"	04730-003-15-40
5	1	HOSE, WASH PUMP DISCHARGE	05700-003-77-62
6	1	(L-R MACHINES) LOWER MANIFOLD (R-L MACHINES) LOWER MANIFOLD	05700-003-74-29 05700-003-74-28
7	1	CASTING, WASH MANIFOLD	09515-003-71-50
8	1	TUBE, MANIFOLD RISER	05700-003-72-37
9	1	WASH MANIFOLD WELDMENT, UPPER	05700-003-73-66
10	2	WASH ARM WELDMENT, RIGHT	05700-003-75-80
11	2	WASH ARM WELDMENT, LEFT	05700-003-75-79
12	12	CAP, THREADED	04730-603-12-00
13	3	O-RING, SILICONE, .103 DIA., 2-1/2" X 2-11/16" OD	05330-003-73-71
14	4	O-RING, SILICONE, .139 DIA., 2-1/4" ID X 2-1/2" OD	05330-003-73-72

PUMP & MOTOR ASSEMBLY	Part Number
WASH PUMP, 3HP 208V 60HZ 3-PHASE	06105-003-76-11
WASH PUMP, 3HP 230V 60HZ 3-PHASE	06105-003-76-11
WASH PUMP, 3HP 460V 60HZ 3-PHASE	06105-003-76-11
WASH PUMP, 3HP 208V 60HZ 1-PHASE	06105-003-76-13
WASH PUMP, 3HP 230V 60HZ 1-PHASE	06105-003-76-13

Page Created: 05-04-2010
Revised: N/A

PARTS SECTION: PRE-WASH MANIFOLD AND ARM ASSEMBLIES

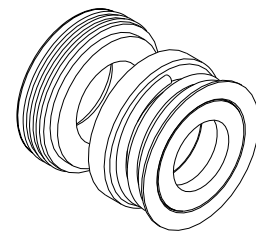


Page Created: 02-25-2011
Revised: N/A

PARTS SECTION: PRE-WASH MANIFOLD AND ARM ASSEMBLY (CONTINUED)

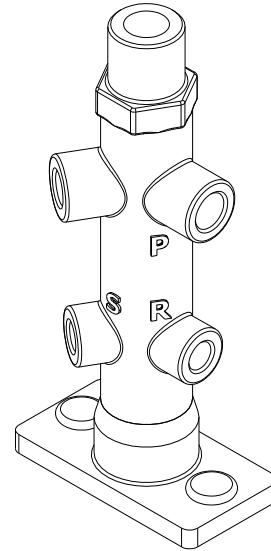
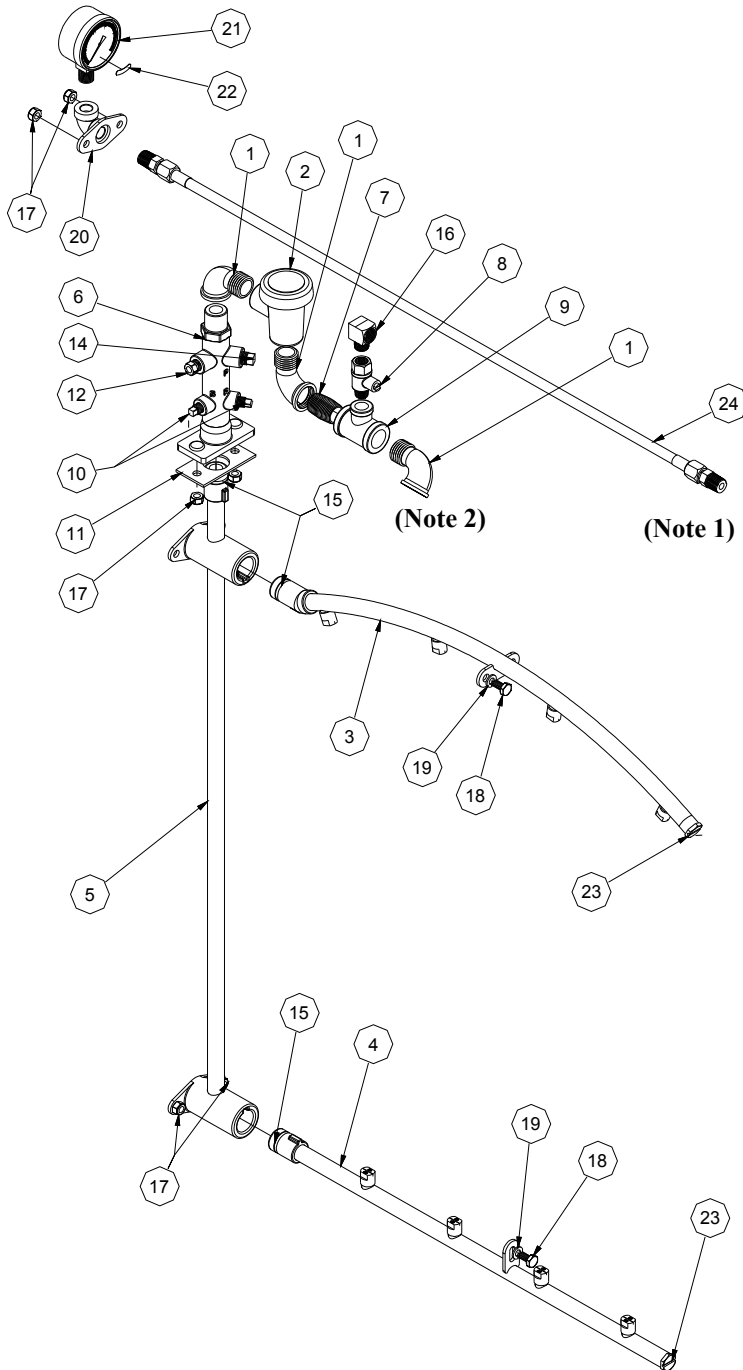
Item	QTY	Description	Part Number
1	1	PUMP & MOTOR ASSEMBLY	SEE TABLE BELOW
2	1	GASKET, PUMP SUCTION	05330-003-75-87
3	1	GASKET, PUMP DISCHARGE	05330-003-75-88
4	2	HOSE CLAMP, RANGE 2-9/16" TO 3-1/2"	04730-003-15-40
5	1	HOSE, WASH PUMP DISCHARGE	05700-003-77-62
6	1	LOWER MANIFOLD (L-R UNITS)	05700-003-81-54
7	1	LOWER MANIFOLD (R-L UNITS)	05700-003-81-79
8	3	O-RING, SILICONE, .103 DIA., 2-1/2" X 2-11/16" OD	05330-003-73-71
9	2	O-RING, SILICONE, .139 DIA., 2-1/4" ID X 2-1/2" OD	05330-003-73-72
10	1	CASTING, PRE-WASH MANIFOLD	09515-003-77-22
11	1	TUBE, MANIFOLD RISER	05700-003-81-53
12	1	PRE-WASH MANIFOLD WELDMENT, UPPER	05700-003-81-76
13	1	WASH ARM WELDMENT, LEFT	05700-003-75-79
14	1	WASH ARM WELDMENT, RIGHT	05700-003-75-80
15	1	PRE-WASH ARM WELDMENT, LOWER	05700-003-80-96
16	4	CAP, THREADED	04730-603-12-00

PUMP & MOTOR ASSEMBLY	Part Number
PRE-WASH PUMP, 2HP 208V 60HZ 3-PHASE	06105-003-76-12
PRE-WASH PUMP, 2HP 230V 60HZ 3-PHASE	06105-003-76-12
PRE-WASH PUMP, 2HP 460V 60HZ 3-PHASE	06105-003-76-12
PRE-WASH PUMP, 2HP 208V 60HZ 1-PHASE	06105-003-76-14
PRE-WASH PUMP, 2HP 230V 60HZ 1-PHASE	06105-003-76-14



Mechanical Pump Seal
05330-002-34-22

PARTS SECTION: RINSE ASSEMBLY



RINSE INJECTOR CONNECTIONS

P: PRESSURE SWITCH
 S: SANITIZER
 R: RINSE AID

Note 1:
 This hose connects to part #16 at one end and to part #20 at the opposite end.

Note 2:
 A hose from the Main Water Inlet Assembly connects to this elbow. (See page 37)
 For units with the Booster Heater Option, the hose will connect to the booster heater outlet. (See page 64)

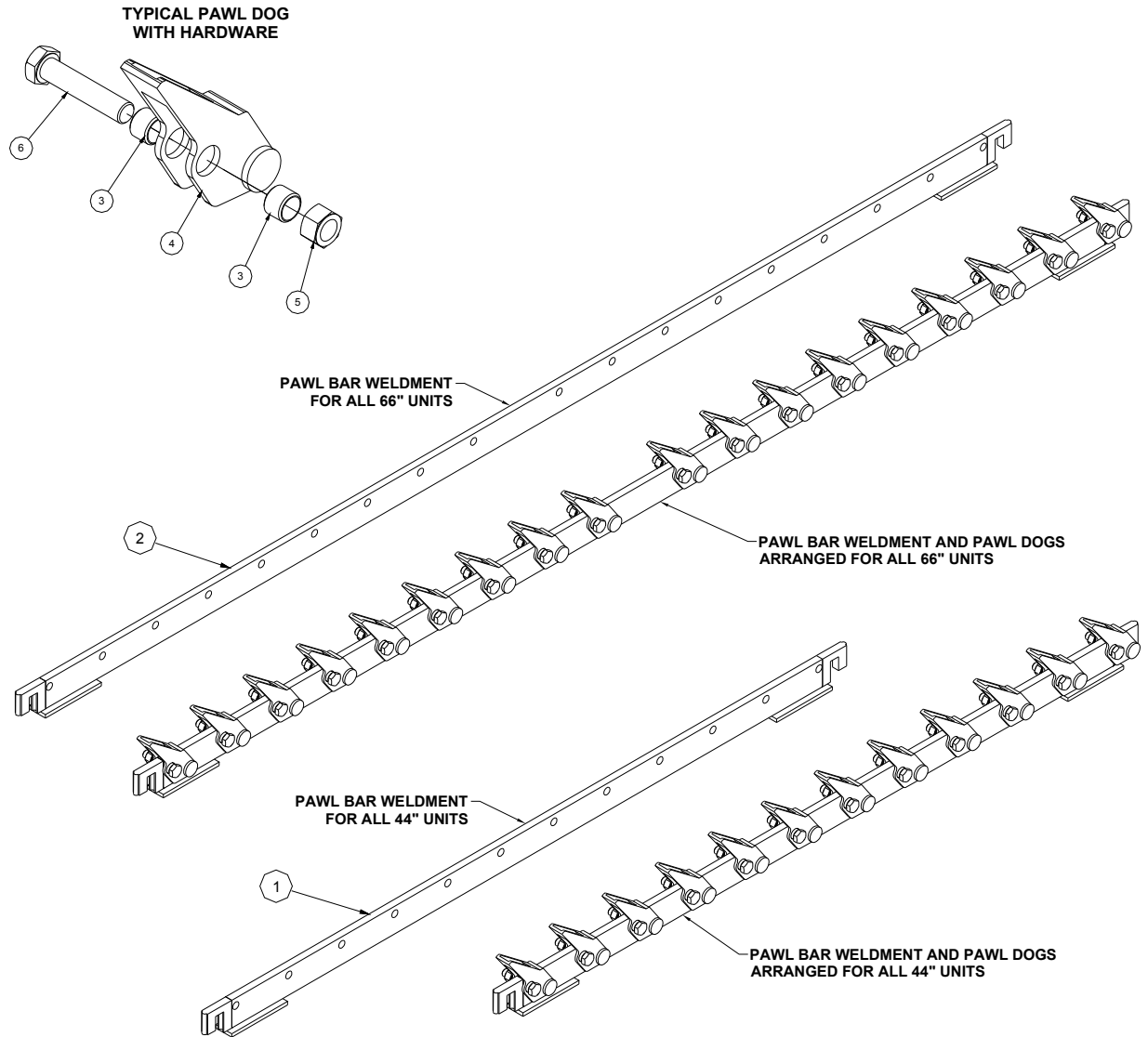
Technical Manual (07610-003-78-18)

PARTS SECTION: RINSE ASSEMBLY (CONTINUED)

Item	QTY	Description	Part Number
1	3	ELBOW, 90 DEGREE 1/2 STREET BRASS	04730-206-08-00
2	1	VACUUM BREAKER 1/2"	04820-003-06-13
3	1	UPPER RINSE ARM	05700-003-76-02
4	1	LOWER RINSE ARM	05700-003-76-04
5	1	RINSE MANIFOLD	05700-003-76-79
6	1	RINSE INJECTOR (L-R UNITS) RINSE INJECTOR (R-L UNITS)	05700-003-76-82 05700-003-76-83
7	1	NIPPLE- 1/2 CLOSE BRASS	04730-207-15-00
8	1	VALVE, BALL TEST COCK 1/4" BRONZE	04810-011-72-67
9	1	TEE, 1/2 FNPT X 1/2 FNPT 1/4 FNPT	04730-002-22-56
10	2	PLUG, 1/8 N.P.T. BRASS	04730-209-07-37
11	1	GASKET, RINSE MANIFOLD	05330-003-75-91
12	1	FITTING, IMPERIAL BRASS	05310-924-02-05
14	1	PLUG, 1/4 211P-4	04730-209-01-00
15	3	O-RING, SILICON .103 DIA., 11/16 X 7/8 OD	05330-003-77-82
16	1	ELBOW, BRASS 90 DEGREE 1/4 NPTM x 1/4 NPTF	04730-003-77-83
17	6	LOCKNUT, 1/4-20 HEX W/NYLON INSERT	05310-374-01-00
18	2	BOLT, 1/4-20 X 1/2 LONG	05305-274-02-00
19	2	LOCKWASHER, SPRING 1/4	05311-274-01-00
20	1	ELBOW WELDMENT, TEMP GAUGE	05700-003-77-12
21	1	GAUGE, 0-100# PRESSURE	06685-111-88-34
22	1	DECAL 15-25 PSI	09905-002-97-74
23	2	END PLUG	05700-011-35-92
24	1	HOSE, 1/4x30" SS BRAIDED W/PTFE, MALE SWIVEL	04720-003-76-10

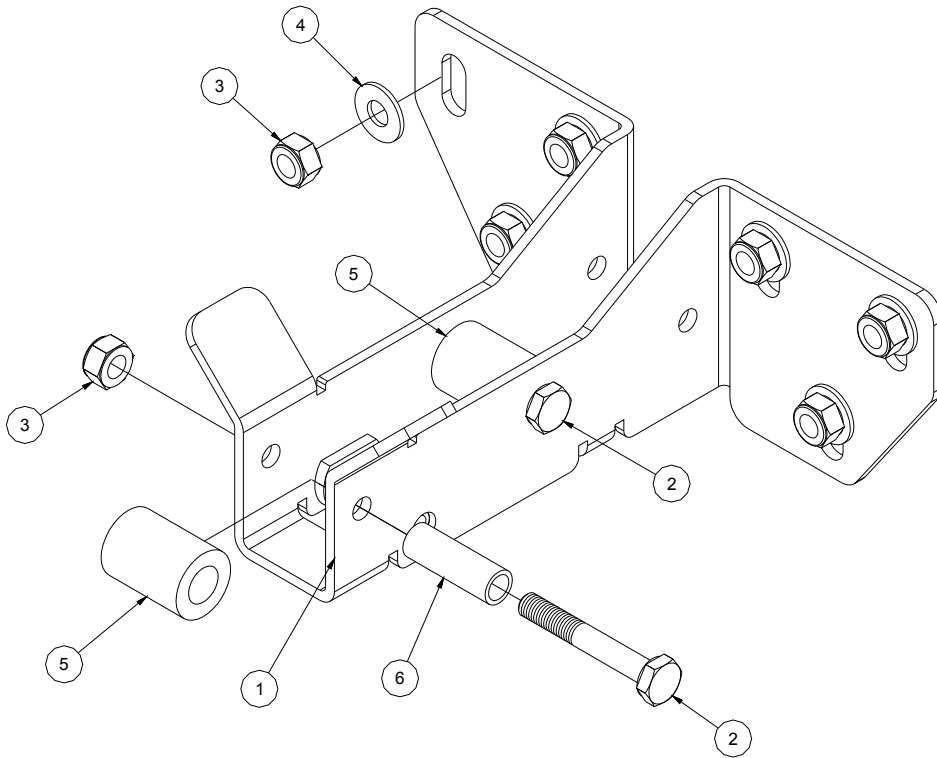
Page Created: 05-04-2010
Revised: N/A

PARTS SECTION: PAWL BAR ASSEMBLIES



Item	QTY	Description	Part Number
1	1	PAWL BAR WELDMENT (44" Units)	05700-031-72-77
2	1	PAWL BAR WELDMENT (66" Units)	05700-003-89-34
3	24 (44" Units) 36 (66" Units)	SPACER, PAWL BAR DOG	05700-011-71-45
4	12 (44" Units) 18 (66" Units)	PAWL BAR DOG CASTING	09515-021-69-00
5	12 (44" Units) 18 (66" Units)	LOCKNUT, 3/8"-16 W/NYLON INSERT	05310-011-72-55
6	12 (44" Units) 18 (66" Units)	BOLT, 3/8"-16 X 1-3/4" LONG	05306-011-36-94

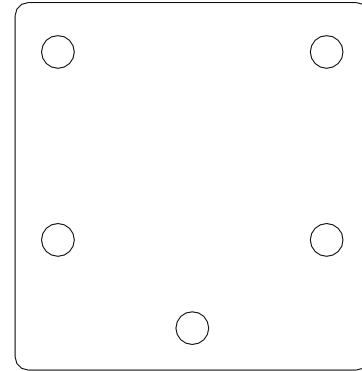
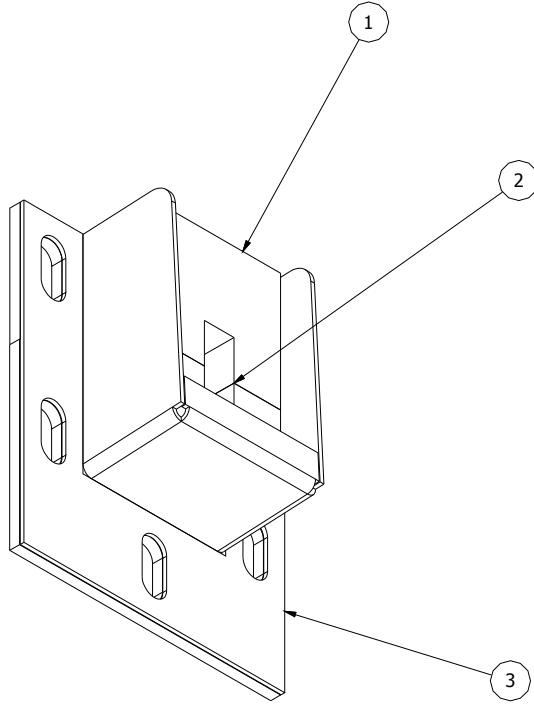
PARTS SECTION: PAWL BAR BRACKET ASSEMBLY



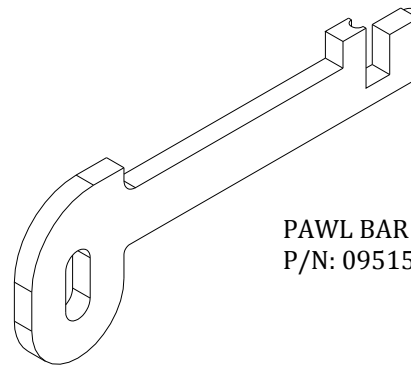
The PAWL BAR ROLLER REPLACEMENT KIT comes with items 2, 3, 5 and 6.

Item	QTY	Description	Part Number
1	1	PAWL BAR BRACKET WELDMENT	05700-003-74-39
2	2	SCREW, 1/4"-20 X 1-3/4" HEX HEAD	05305-274-10-00
3	8	LOCKNUT, 1/4"-20 HEX W/NYLON INSERT	05310-374-01-00
4	6	WASHER, S/S	05311-174-01-00
5	2	ROLLER, BRACKET ROD	05700-011-68-16
6	2	SHAFT, ROLLER, 3/8" X 1.13"	05700-011-68-14
		PAWL BAR ROLLER REPLACEMENT KIT	06401-003-11-80

PARTS SECTION: PAWL BAR GUTTER ASSEMBLY



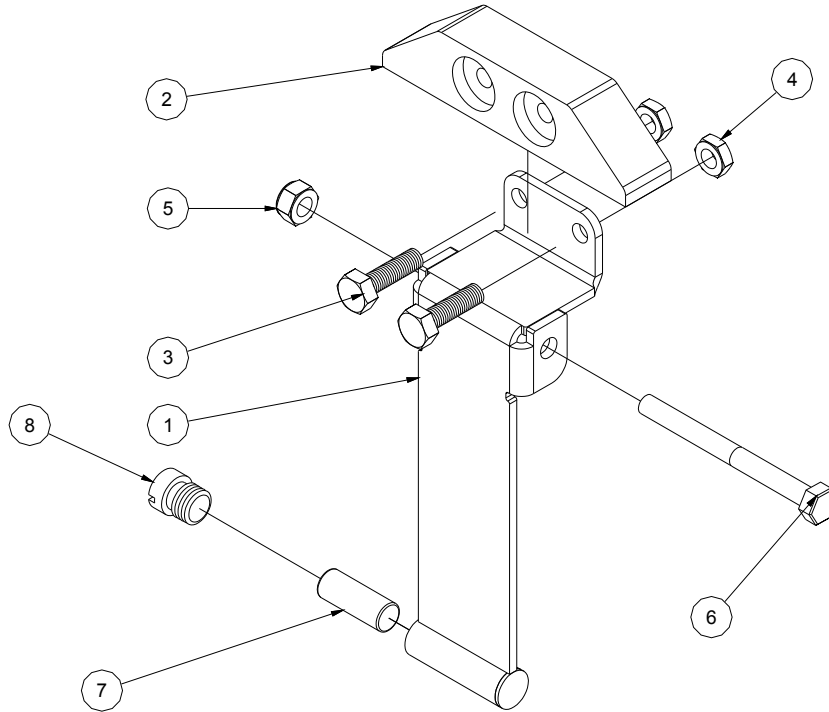
DRIVE ROD HOLE COVER
P/N: 05700-003-75-68



PAWL BAR DRIVE LINKAGE
P/N: 09515-021-87-73

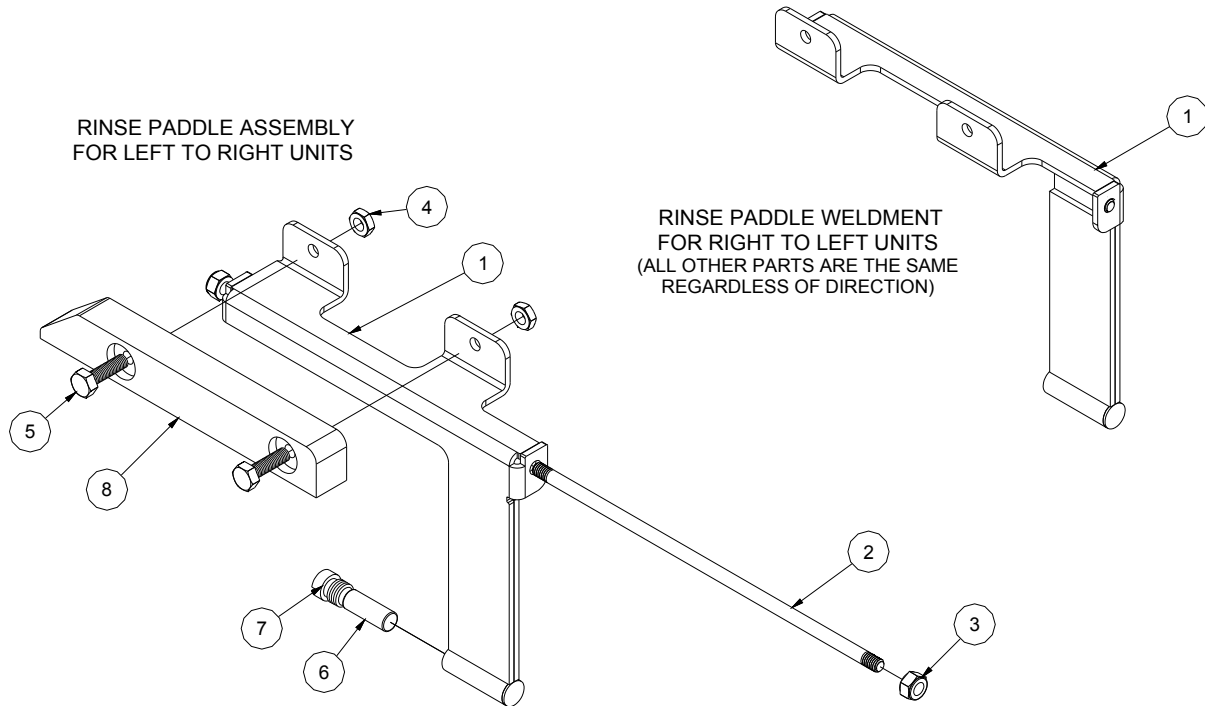
Item	QTY	Description	Part Number
1	1	TOP GUIDE BLOCK	05700-011-69-49
2	1	BOTTOM GUIDE BLOCK	05700-011-69-50
3	1	PAWL BAR GUTTER WELDMENT	05700-021-66-86
4	1	DRIVE GUTTER GASKET (NOT SHOWN)	05330-011-68-55
	1	GUTTER WELDMENT REPLACEMENT KIT (W/HARDWARE)	06401-003-09-95
	1	GUIDE BLOCK REPLACEMENT KIT	06401-003-10-15

PARTS SECTION: RACK PADDLE ASSEMBLY



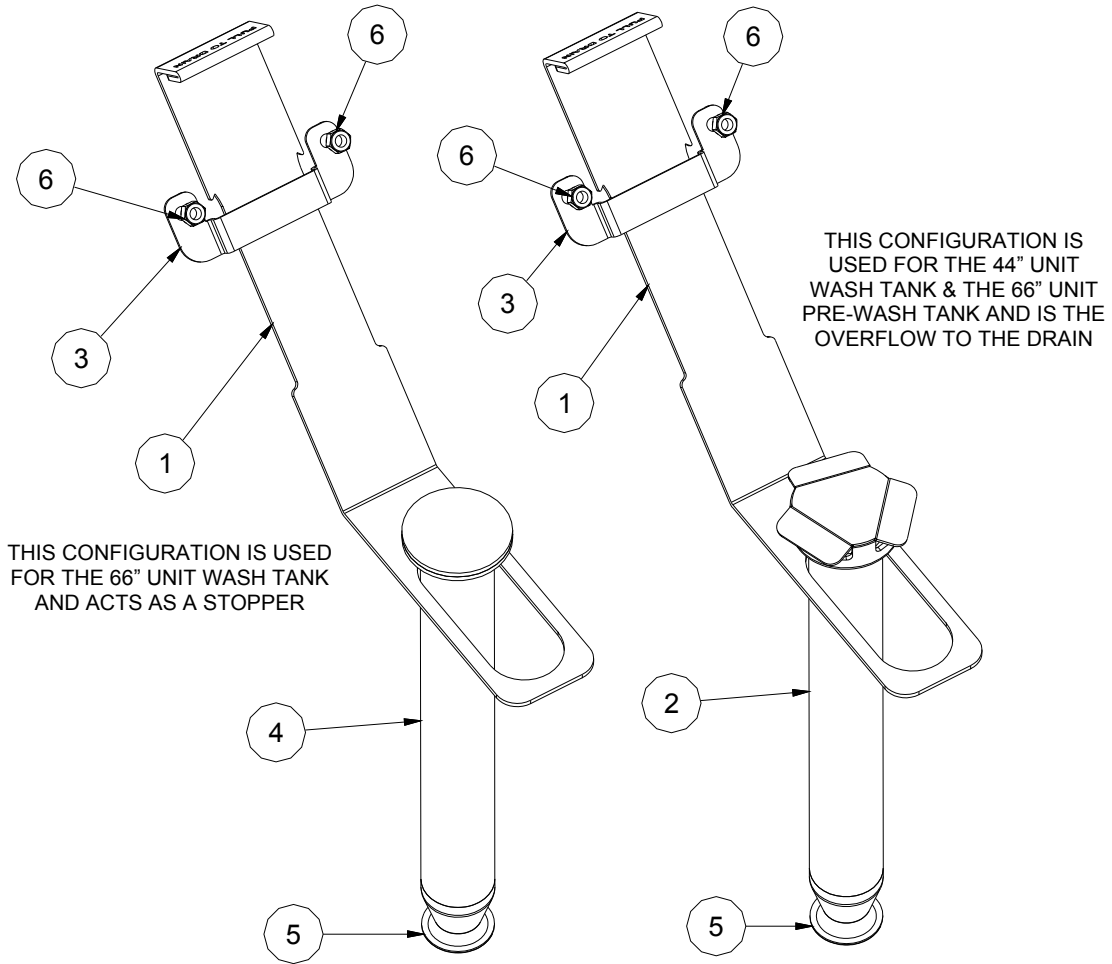
Item	QTY	Description	Part Number
1	1	RACK PADDLE WELDMENT	05700-003-76-71
2	1	BUMPER, RACK PADDLE	09330-003-74-82
3	2	SCREW, 1/4"-20 X 7/8" SS HH	05305-274-05-00
4	2	LOCKNUT, 1/4"-20 LOW PROFILE W/NYLON INSERT	05310-374-02-00
5	1	LOCKNUT, 1/4"-20 HEX W/NYLON INSERT	05310-374-01-00
6	1	SCREW, 1/4"-20 X 2-3/4" HEX HEAD	05305-003-31-63
7	1	MAGNET	05930-003-31-63
8	1	WASH/RINSE END CAP	05700-011-60-92
	1	ENTIRE ASSEMBLY	05700-003-76-74

PARTS SECTION: RINSE PADDLE ASSEMBLIES



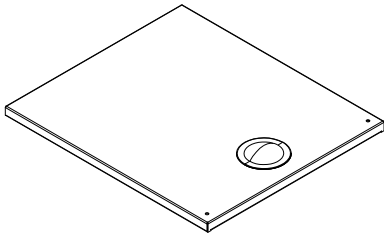
Item	QTY	Description	Part Number
1	1	RINSE PADDLE WELDMENT (L-R) RINSE PADDLE WELDMENT (R-L)	05700-003-81-91 05700-003-81-96
2	1	STUD, 1/4"-20 X 8.50" LONG, S/S, DOUBLE ENDED THREAD	05306-003-76-31
3	2	LOCKNUT, 1/4"-20 HEX W/NYLON INSERT	05310-374-01-00
4	2	LOCKNUT, 1/4"-20 LOW PROFILE W/NYLON INSERT	05310-374-02-00
5	4	SCREW, 1/4-20 x 7/8" HEX HEAD S/S	05305-274-05-00
6	4	MAGNET	05930-003-31-63
7	1	END CAP	05700-011-60-92
8	1	BUMPER, RINSE PADDLE	09330-003-81-04
	1	ENTIRE ASSEMBLY (L-R) ENTIRE ASSEMBLY (R-L)	05700-003-81-92 05700-003-81-95

PARTS SECTION: DRAIN ASSEMBLY PARTS



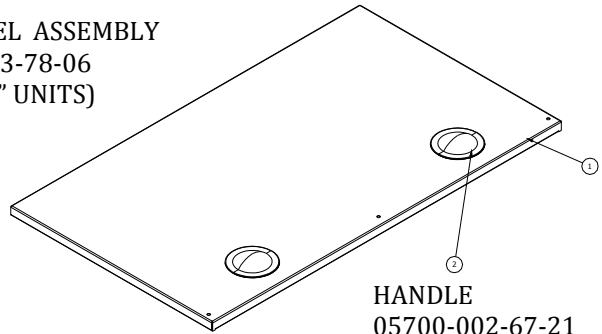
Item	QTY	Description	Part Number
1	1	DRAIN HANDLE	05700-003-83-66
2	1	DRAIN STANDPIPE (OVERFLOW)	05700-003-75-55
3	2	DRAIN HANDLE BRACKET	05700-003-83-67
4	2	DRAIN STANDPIPE	05700-003-82-76
5	1	O-RING, VITON	05330-400-05-00
6	2	LOCKNUT, 1/4-20 HEX W/NYLON INSERT	05310-374-01-00

PARTS SECTION: COVERS, GUARDS AND PANELS

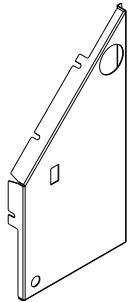


PRE-WASH TOP PANEL ASSEMBLY
W/HANDLE: 05700-003-82-49

TOP PANEL ASSEMBLY
05700-003-78-06
(44" & 66" UNITS)

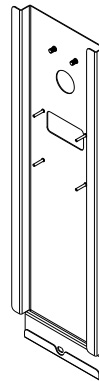


HANDLE
05700-002-67-21

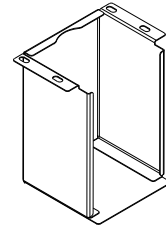


LEFT SIDE PANEL
05700-003-73-82
(Electric Units & Steam L-R)

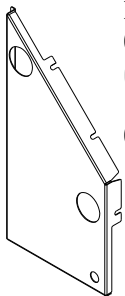
05700-003-83-87
(Steam R-L)



CONTROL DRESS PANEL
05700-003-78-15

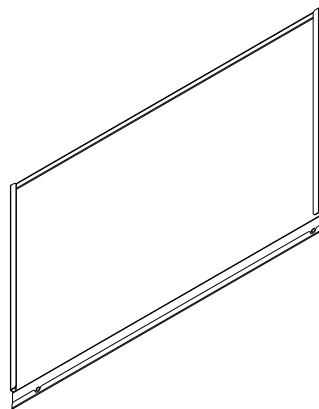


COVER, WASH HEATER
05700-003-74-73
(ELECTRICALLY HEATED
UNITS ONLY)

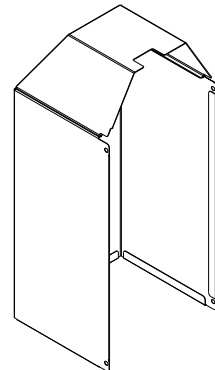


RIGHT SIDE PANEL
05700-003-73-81
(Electric Units & Steam R-L)

05700-003-83-71
(Steam L-R Units)

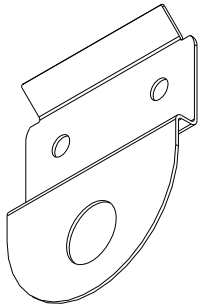


LOWER DRESS PANEL
05700-003-72-81 (44" UNITS)
05700-003-80-42 (66" UNITS)

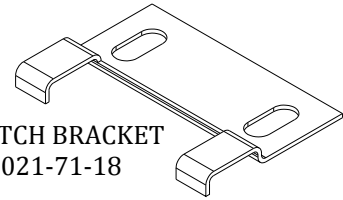


DRIVE MOTOR GUARD
05700-003-79-45

PARTS SECTION: BRACKETS

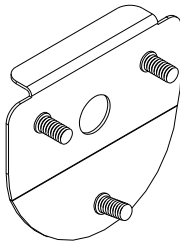


START SWITCH BRACKET
05700-003-74-65

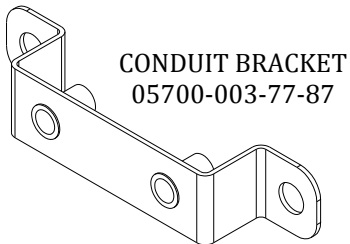
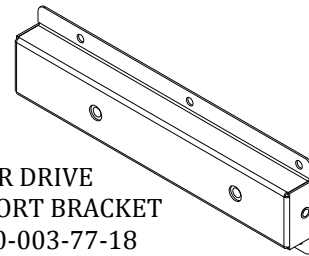


LIMIT SWITCH BRACKET
05700-021-71-18

FILL TUBE BRACKET
05700-003-79-55

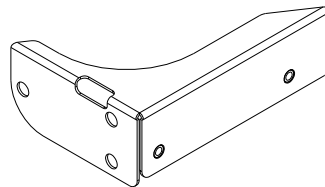
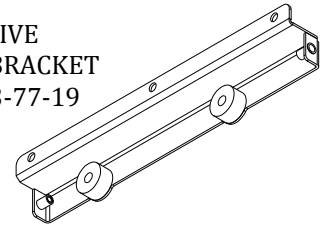


UPPER DRIVE
SUPPORT BRACKET
05700-003-77-18

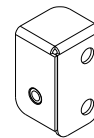


CONDUIT BRACKET
05700-003-77-87

LOWER DRIVE
SUPPORT BRACKET
05700-003-77-19

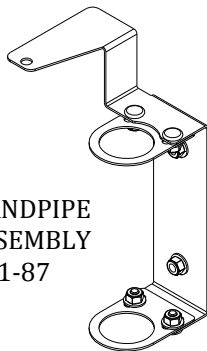


PANEL BRACKET, LEFT
05700-003-78-13

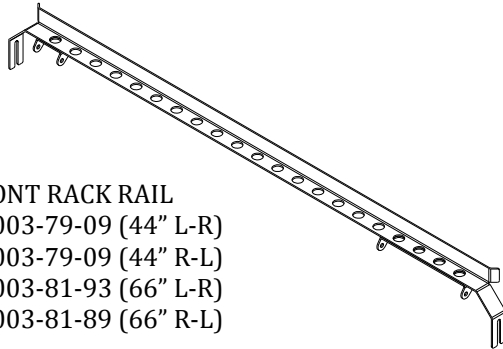


PANEL BRACKET, RIGHT
05700-003-78-14

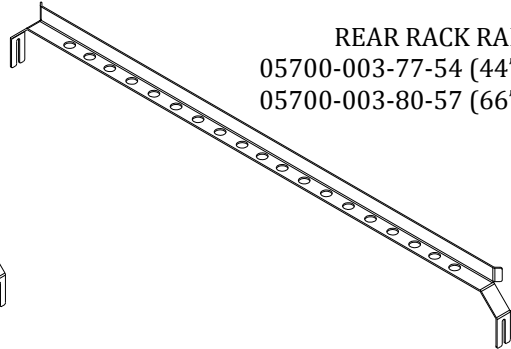
FLOAT & STANDPIPE
BRACKET ASSEMBLY
05700-003-81-87



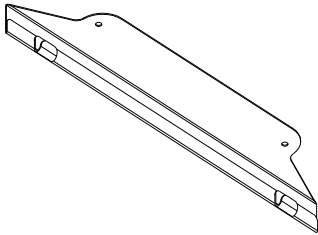
PARTS SECTION: MISCELLANEOUS PARTS



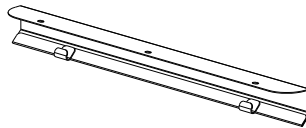
FRONT RACK RAIL
05700-003-79-09 (44" L-R)
05700-003-79-09 (44" R-L)
05700-003-81-93 (66" L-R)
05700-003-81-89 (66" R-L)



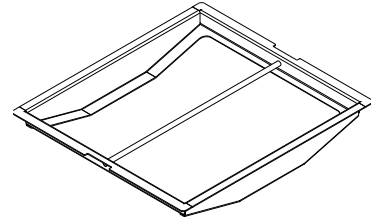
REAR RACK RAIL
05700-003-77-54 (44" UNITS)
05700-003-80-57 (66" UNITS)



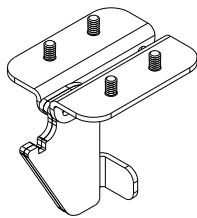
CURTAIN BRACKET, MIDDLE
05700-003-77-61



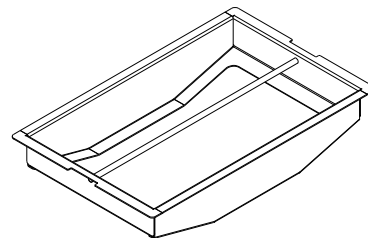
CURTAIN BRACKET, END
05700-003-77-60



STRAINER, WASH TANK
05700-003-74-31

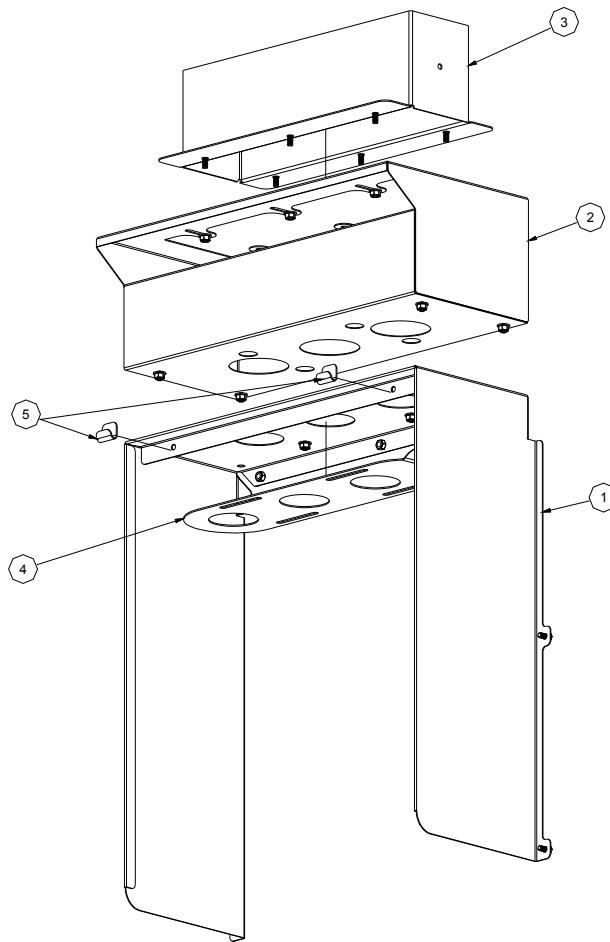


DOOR LATCH ASSEMBLY
05700-003-75-76



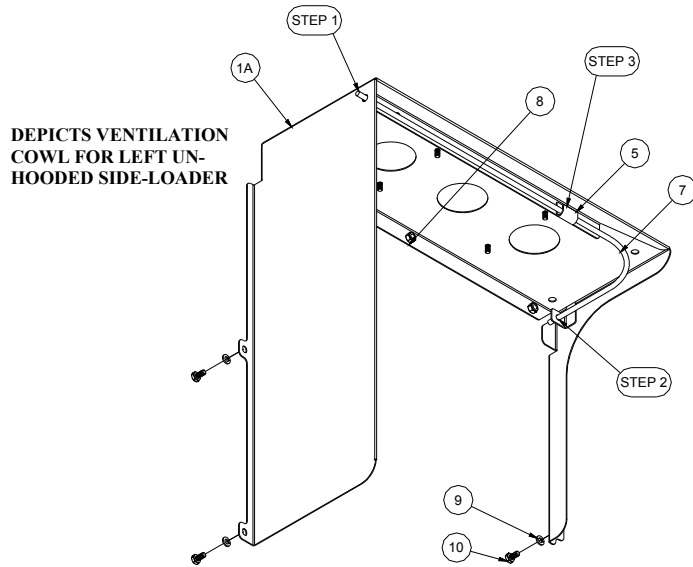
STRAINER, PRE-WASH TANK
05700-003-80-75

PARTS SECTION: VENTILATION COWL PARTS



Item	QTY	Description	Part Number
1	2	VENTILATION COWL	05700-003-77-50
	1	VENTILATION COWL, LEFT SIDE (FOR DOOR ACCENT PANEL OPTION)	05700-003-75-77
	1	VENTILATION COWL, RIGHT SIDE (FOR DOOR ACCENT PANEL OPTION)	05700-003-75-78
2	2	VENTILATION SCOOP	05700-003-75-74
3	2	VENTILATION DUCT ADAPTER	05700-003-75-73
4	2	DAMPER, VENTILATION SCOOP	05700-003-74-76
5	4	CURTAIN HOOK	05700-003-17-98

PARTS SECTION: VENTILATION COWL FOR UNHOODED SIDE-LOADER OPTION

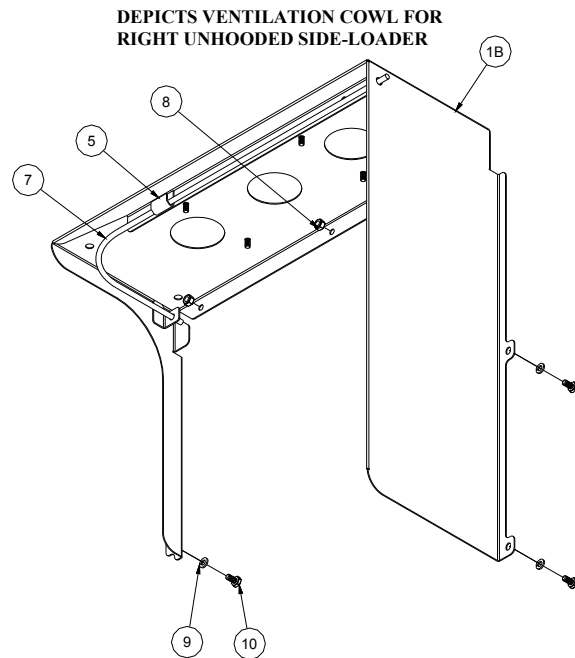
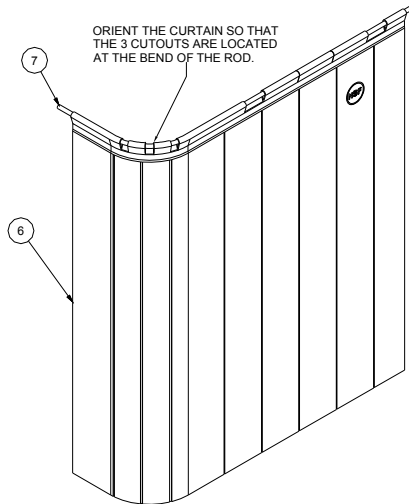


TO ATTACH THE CURTAIN AND ROD TO VENTILATION COWL ENSURE THE CURTAIN IS ORIENTED AS DEPICTED AND FOLLOW THE STEPS BELOW.

STEP 1: INSERT THE ROD INTO THE HOLE AT THE REAR OF THE VENTILATION COWL

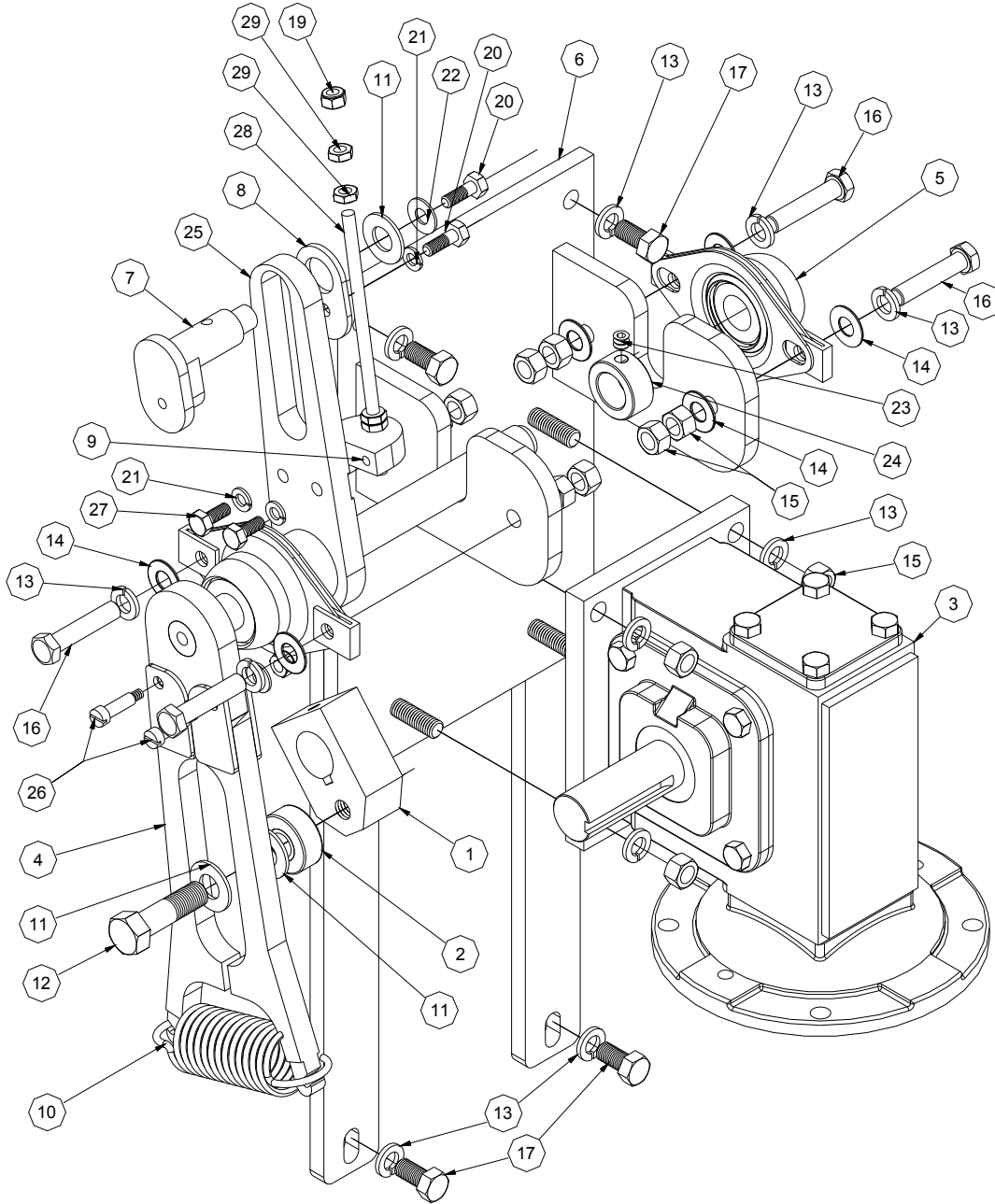
STEP 2: INSERT THE ROD INTO THE BRACKET AT THE FRONT OF THE VENTILATION COWL

STEP 3: GENTLY LIFT THE ROD AT THE CURTAIN CUTOUT OVER AND ONTO THE CURTAIN HOOK ENSURING THAT THE ENDS OF THE ROD STAY INSERTED IN THE HOLES.



Item	QTY	Description	Part Number
1A	1	VENTILATION COWL w/CUTOUT FOR LEFT SIDE LOADER	05700-003-84-67
1B	1	VENTILATION COWL w/CUTOUT FOR RIGHT SIDE LOADER	05700-003-84-66
2	1	VENTILATION SCOOP (NOT SHOWN)	05700-003-75-74
3	1	VENTILATION DUCT ADAPTER (NOT SHOWN)	05700-003-75-73
4	1	DAMPER, VENTILATION SCOOP (NOT SHOWN)	05700-003-74-76
5	2	CURTAIN HOOK	05700-003-86-10
6	1	CURTAIN, XL FOR SIDE-LOADER	08415-003-84-88
7	1	CURTAIN ROD	05700-003-84-57
8	3	LOCKNUT, 1/4-20 HEX w/NYLON INSERT	05310-374-01-00
9	3	LOCKWASHER, 1/4 ID SPRING	05311-274-01-00
10	3	BOLT, 1/4-20 x 1/2" LONG	05305-274-02-00

PARTS SECTION: DRIVE ASSEMBLY



Technical Manual (07610-003-78-18)

PARTS SECTION: DRIVE ASSEMBLY

Item	QTY	Description	Part Number
1	1	HUB, DRIVE	05700-011-67-97
2	1	BEARING, ROLLER WC88013	03120-011-71-81
3	1	GEAR, 50/1 DRIVE MOTOR	06105-011-71-88
4	2	W-COUPLING & EXPANSION LEGS WELD	05700-021-67-50
5	1	BLOCK, PILLOW	03120-021-71-87
6	1	W-DRIVE SUPPORT WELDMENT	05700-003-75-61
7	1	F-SOCKET, DRIVE	05700-021-67-39
8	1	F-PLATE, SPACER	05700-011-67-58
9	1	PLATE, DRIVE ROD	05700-021-67-42
10	1	SPRING, DRIVE	05315-011-83-51
11	3	WASHER, 1/2 FLAT S/S	5311-011-71-93
12	1	BOLT, 1/2-13 X 1 3/4	05305-011-71-94
13	12	3/8 LOCKWASHER	05311-276-01-00
14	8	WASHER 3/8" FLAT S/S	05311-176-01-00
15	12	NUT, HEX 3/8-16 S/S	05310-276-01-00
16	4	BOLT, 3/8-16 X 1 3/4" LG	05306-011-36-94
17	4	3/8-16 X 3/4" LONG	05306-011-71-60
18	2	WASHER, S/S 1/4-20 I.D.	05311-174-01-00
19	4	LOCKNUT, 1/4-20 HEX W/NYLON INSERT	05310-374-01-00
20	2	BOLT, HEX HEAD 1/4 - 20 X 3/4	05305-274-04-00
21	3	LOCKWASHER, SPRING 1/4	05311-274-01-00
22	1	WASHER, 5/16 - 18 S/S	05311-175-01-00
23	1	SET SCREW, 5/16-18 X 1/4	05305-002-98-39
24	1	COLLAR, SHAFT CONVEYOR DRIVE	05700-011-89-18
25	1	W-DRIVE LEVER WELDMENT	05700-003-78-03
26	2	SCREW, 10-32 X .75 SHOULDER .25	05305-011-86-65
27	2	SCREW, 1/4-20 x 5/8 S/S HEX HEAD	05305-274-24-00
28	1	STUD, 1/4-20 x 5.75 ALL THREAD	05307-003-79-67
29	4	NUT, HEX 1/4 - 20	05310-274-01-00

PARTS SECTION: SIDE LOADERS

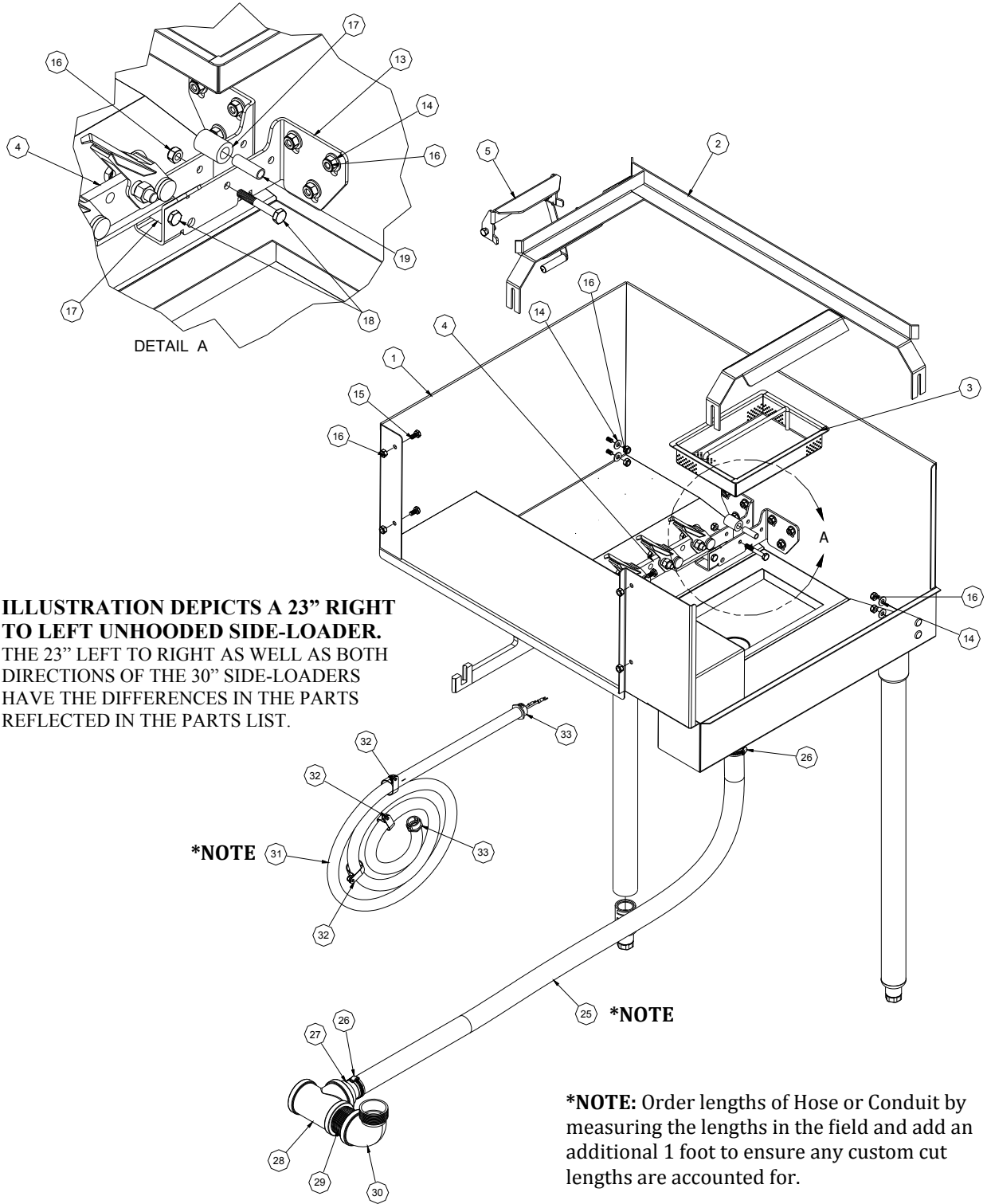


ILLUSTRATION DEPICTS A 23" RIGHT TO LEFT UNHOODED SIDE-LOADER. THE 23" LEFT TO RIGHT AS WELL AS BOTH DIRECTIONS OF THE 30" SIDE-LOADERS HAVE THE DIFFERENCES IN THE PARTS REFLECTED IN THE PARTS LIST.

***NOTE**

***NOTE**

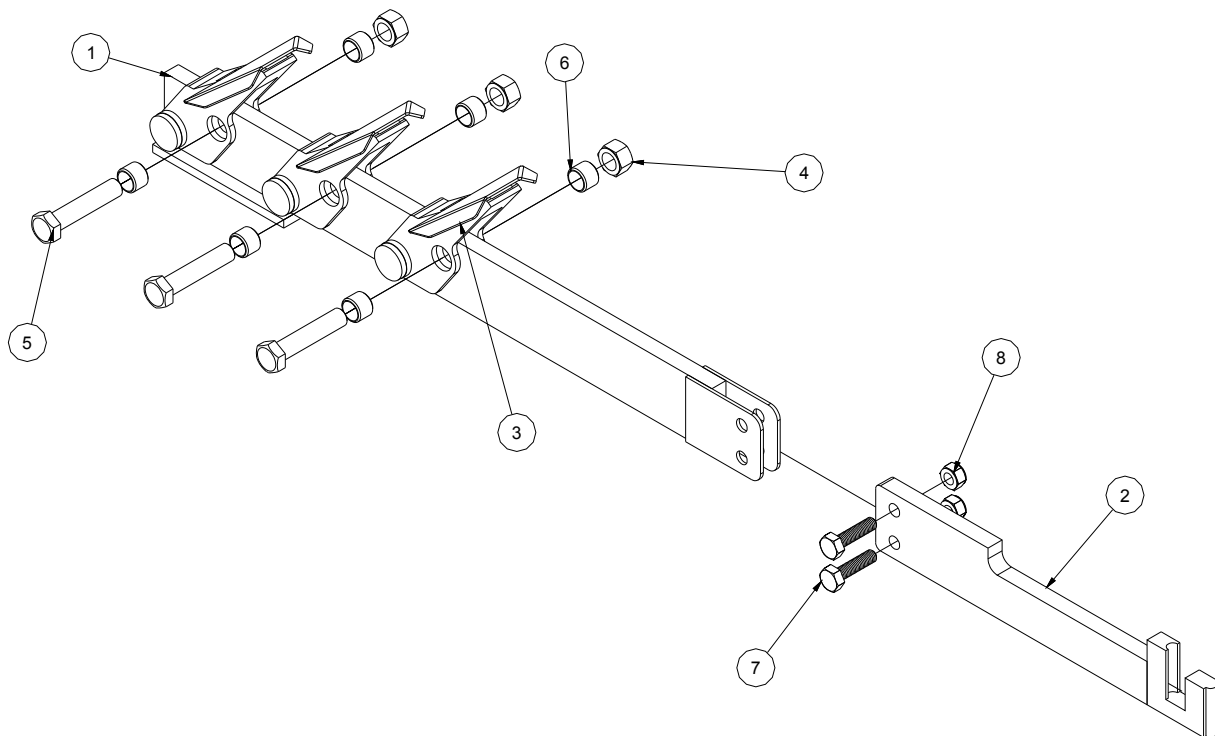
***NOTE:** Order lengths of Hose or Conduit by measuring the lengths in the field and add an additional 1 foot to ensure any custom cut lengths are accounted for.

PARTS SECTION: SIDE LOADERS (CONTINUED)

Item	QTY	Description	Part Number
1	1	TUB WELDMENT, 23" SIDE-LOADER L-R	05700-003-84-59
	1	TUB WELDMENT, 23" SIDE-LOADER R-L	05700-003-84-58
	1	TUB WELDMENT, 30" SIDE-LOADER L-R	05700-003-88-46
	1	TUB WELDMENT, 30" SIDE-LOADER R-L	05700-003-88-39
2	1	RACK SUPPORT L-R	05700-003-90-00
	1	RACK SUPPORT R-L	05700-003-89-95
3	1	STRAINER	05700-021-85-10
4	1	PAWL BAR DRIVE LINKAGE (SEE SIDE-LOADER DRIVE LINKAGE PAGE)	05700-003-84-78
5	1	ACTUATOR SWITCH ASSEMBLY	06401-003-89-96
6	2	LEG SOCKET	05700-002-56-14
7	2	SUPPORT LEG	05700-021-87-59
8	2	FOOT, ADJUSTABLE	05340-108-01-03
9	1	GUTTER, PAWL BAR	05700-021-66-86
10	1	GUIDE BLOCK TOP-SLOTTED	05700-011-69-49
11	1	GUIDE BLOCK BOTTOM-SLOTTED	05700-011-69-50
12	1	GASKET, DRIVE GUTTER	05330-011-68-55
13	1	BRACKET, LOADER PAWL BAR SUPPORT	05700-003-87-39
14	16	WASHER, 1/4" ID STAINLESS STEEL	05311-174-01-00
15	4	BOLT, 1/4-20 x 1/2" LONG	05305-274-02-00
16	39	LOCKNUT, 1/4-20 HEX w/NYLON INSERT	05310-374-01-00
17	2	ROLLER	05700-011-68-16
18	2	SCREW, 1/4-20 x 1-3/4" LONG HEX HEAD	05305-274-10-00
19	2	ROLLER SHAFT	05700-011-68-14
20	1	BRACKET, LIMIT SWITCH	05700-021-71-18
21	1	TERMINAL BOARD	05940-011-84-41
22	1	SWITCH ASSEMBLY, SIDE-LOADER (24VDC)	05700-003-87-43
23	1	COVER, SIDE LOADER SWITCH	05700-003-87-41
24	2	LOCKNUT, 6-32 HEX w/NYLON INSERT	05310-373-03-00
25	NOTE*	DRAIN HOSE, POLYBRAID 1" ID (SEE NOTE)	*04720-011-69-16
26	2	HOSE CLAMP (RANGE: 13/16" TO 1-1/2")	04730-719-06-09
27	1	DRAIN FITTING WELDMENT	05700-021-84-61
28	1	TEE, 1-1/2" BRASS F-NPT	04730-011-69-93
29	1	NIPPLE, 1-1/2" CLOSE BRASS	04730-207-40-00
30	1	ELBOW, 90 DEG STREET, BRASS 1-1/2" NPT	04730-206-32-00
31	NOTE*	CONDUIT, 1/2" FLEX 2 (SEE NOTE)	*05975-003-33-36
32	3	CLAMP, 1" NYLON	04730-002-41-88
33	2	FITTING, 1/2" STRAIGHT TWIST / SNAP	05975-003-33-27

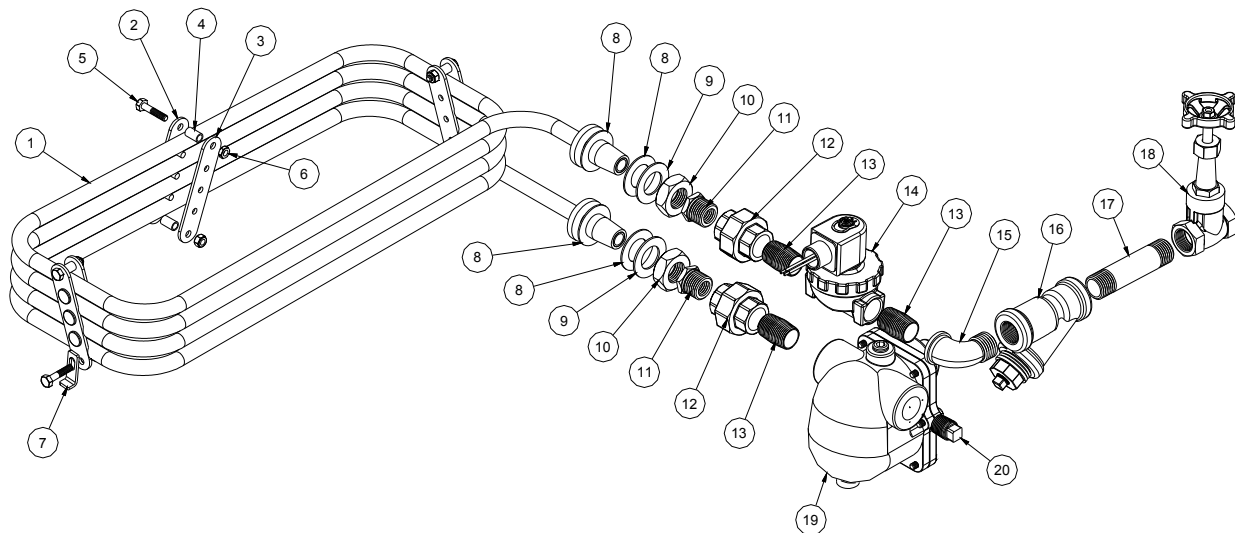
***NOTE:** Order lengths of Hose or Conduit by measuring the lengths in the field and add an additional 1 foot to ensure any custom cut lengths are accounted for.

PARTS SECTION: SIDE LOADER DRIVE LINKAGE



Item	QTY	Description	Part Number
1	1	PAWL BAR, SIDE LOADER	05700-021-86-88
2	1	DRIVE LINKAGE, SIDE LOADER	05700-001-99-16
3	3	PAWL DOG w/WING	05700-021-86-79
4	3	LOCKNUT, 3/8-16 w/NYLON INSERT	05310-011-72-55
5	3	BOLT, 3/8-16 x 1-3/4" LONG HEX HEAD	05306-011-36-94
6	6	SPACER, PAWL BAR DOG	05700-011-71-45
7	3	SCREW, 1/4-20 x 1" LONG HEX HEAD	05305-274-27-00
8	3	LOCKNUT, 1/4-20 HEX w/NYLON INSERT	05310-374-01-00

PARTS SECTION: STEAM HEATING COIL ASSEMBLY

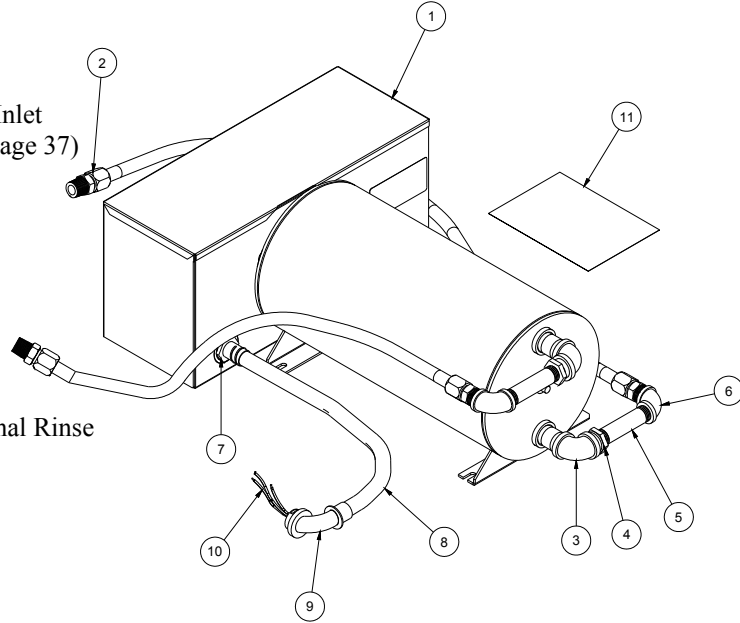


Item	QTY	Description	Part Number
1	1	STEAM COIL WELDMENT	05700-003-83-70
2	3	STEAM COIL SPACER WELDMENT	05700-003-83-33
3	3	PLATE, STEAM COIL SPACER	05700-003-83-32
4	6	SLEEVE, 1/4" ID x 5/8" LONG	05700-003-83-35
5	6	BOLT, 1/4-20 x 1-1/4 HEX HEAD	05305-274-22-00
6	6	LOCKNUT, 1/4-20 LOW PROFILE W/NYLON INSERT	05310-374-02-00
7	1	BRACKET, STEAM COIL ADJUSTMENT	05700-003-83-79
8	4	GASKET, STEAM COIL	05700-001-17-86
9	2	WASHER, STEAM COIL ADAPTER	05700-001-17-87
10	2	NUT, STEAM COIL ADAPTER	05310-011-17-85
11	2	REDUCER, 3/4 NPTM x 1/2 NPTF BLACK IRON	04730-911-02-34
12	2	UNION, 3/4 NPT BLACK IRON	04730-912-01-00
13	3	NIPPLE, CLOSE 3/4 NPT BLACK IRON	04730-907-01-00
14	1	VALVE, 3/4 STEAM 110VOLT COIL	04820-011-87-39
15	1	ELBOW, 3/4 NPT STREET, BLACK IRON	04730-011-87-37
16	1	Y-STRAINER, 3/4 NPT STEAM	04730-217-01-32
17	1	NIPPLE, 3/4 NPT x 4" LONG, BLACK IRON	04730-907-02-34
18	1	VALVE, GATE 3/4 NPT STEAM	04820-100-19-00
19	1	TRAP, STEAM 3/4 NPT	06680-500-02-77
20	1	PLUG, 3/4 NPT SQUARE HEAD, BLACK IRON	04730-002-86-59

PARTS SECTION: BOOSTER HEATER OPTION (ELECTRIC)

This hose connects to the Main Inlet Plumbing solenoid valve. (See page 37)

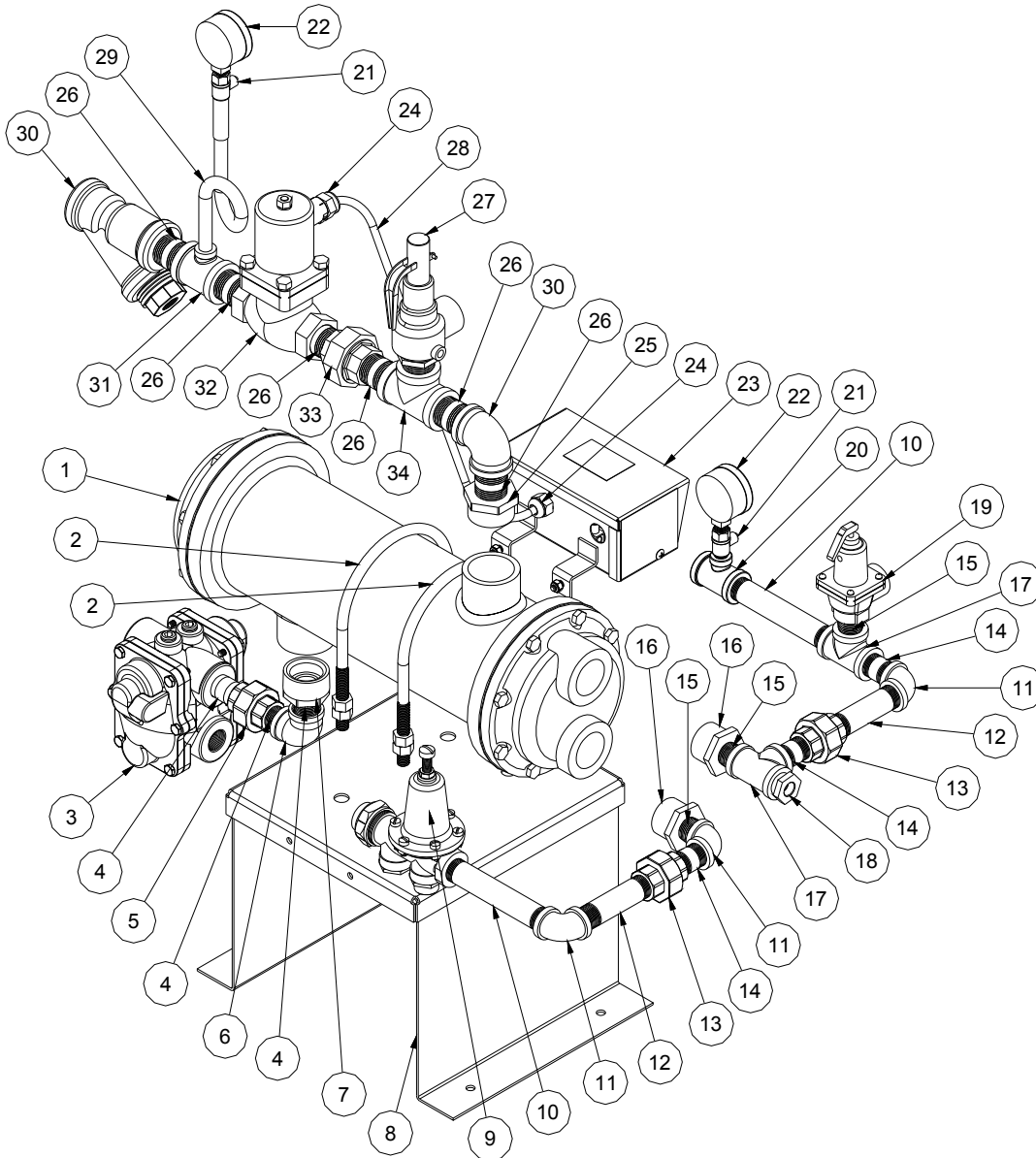
This hose connects to the Final Rinse Plumbing. (See page 44)



Item	QTY	Description	Part Number
1	1	BOOSTER HEATER	SEE CHART BELOW
2	2	HOSE, 1/2 x 42" SS BRAIDED W/PTFE, MALE SWIVEL	04720-003-76-09
3	2	ELBOW, 3/4 NPT 90 DEGREE BRASS	04730-206-13-00
4	2	BUSHING, 3/4 MNPT x 1/2 FNPT HEX BRASS	04730-002-56-27
5	2	NIPPLE, 1/2 NPT x 4" LONG BRASS	04730-207-04-00
6	2	ELBOW, 1/2 NPT 90 DEGREE BRASS	04730-011-42-96
7	1	FITTING, 3/4 STRAIGHT QT SNAP (HEYCO-8495)	05975-003-77-46
8	1	CONDUIT, FLEX2 1/2 x 24" LONG	05700-003-79-40
9	1	FITTING, 3/4 90 DEGREE QT SNAP (HEYCO-8510)	05975-003-77-45
10	3	WIRE, 10AWG BLK SRML FIBERGLASS (3 FEET)	06145-003-13-97
11	1	SCHEMATIC (REFER TO THE BOOSTER HEATER SCHEMATIC PAGES FOR PART NUMBER)	

BOOSTER HEATER	Part Number
12 kW (40 degree F Rise) 208V 3-PHASE	04540-003-76-58
12 kW (40 degree F Rise) 240V 3-PHASE	04540-003-76-60
12 kW (40 degree F Rise) 480V 3-PHASE	04540-003-76-62
12 kW (40 degree F Rise) 208V 1-PHASE	04540-003-76-57
12 kW (40 degree F Rise) 240V 1-PHASE	04540-003-76-59
17.3 kW (70 degree F Rise) 208V 3-PHASE	04540-003-76-64
18 kW (70 degree F Rise) 240V 3-PHASE	04540-003-76-66
18 kW (70 degree F Rise) 480V 3-PHASE	04540-003-76-68
18 kW (70 degree F Rise) 208V 1-PHASE	04540-003-76-63
18 kW (70 degree F Rise) 240V 1-PHASE	04540-003-76-64

PARTS SECTION: STEAM BOOSTER HEATER OPTION



Item	QTY	Description	Part Number
1	1	STEAM BOOSTER HEATER, ST-T120	04420-002-43-94
2	2	U-BOLT, 1/2-13 THREAD, ZINC COATED	05306-002-89-27
3	1	STEAM TRAP, 3/4 NPT-F & T TYPE	06680-500-02-77
4	3	NIPPLE, CLOSE 3/4 NPT, BLACK IRON	04730-907-01-00
5	1	UNION, 3/4 NPT, BLACK IRON	04730-912-01-00
6	1	ELBOW, 90 DEG. 3/4 NPT, BLACK IRON	04730-906-10-34
7	1	REDUCER, 1-1/2 NPT-M x 3/4 NPT-F, BLACK IRON	04730-002-36-81

Technical Manual (07610-003-78-18)

PARTS SECTION: STEAM BOOSTER HEATER OPTION (CONTINUED)

Item	QTY	Description	Part Number
8	1	W-PLATFORM, J120 STEAM BOOSTER	05700-002-36-72
9	1	REGULATING VALVE, 3/4 NPT-F	04820-100-01-06
10	2	NIPPLE, 3/4 NPT x 6" LONG BRASS	05700-001-26-74
11	3	ELBOW, 90 DEG. 3/4 NPT BRASS	04730-206-13-00
12	2	NIPPLE, 3/4 NPT x 4" LONG BRASS	04730-207-05-00
13	2	UNION, 3/4 NPT BRASS	04730-212-05-00
14	3	NIPPLE, 3/4NPT x 2" LONG BRASS	04730-207-46-00
15	3	NIPPLE, CLOSE 3/4 NPT x 1-3/8 NPT BRASS	04730-207-34-00
16	2	BUSHING, HEX 1 1/4 X 3/4 REDUCER	04730-011-88-80
17	2	TEE, BRASS, 3/4 X 3/4 X 3/4	04730-211-01-34
18	1	ADAPTER, 3/8 FNPT X 3/4 NPT BRASS	04730-011-89-19
19	1	VALVE, STEAM RELIEF 3/4 EDP-0274751	04820-100-07-06
20	1	TEE, BRASS, 3/4 X 3/4 X 1/4	04730-211-04-00
21	2	VALVE, BALL TEST COCK 1/4 BRONZE	04810-011-72-67
22	2	PRESSURE GAUGE, 1/4 NPT-M 0-100 PSI	06685-111-88-34
23	1	A-CONTROL, J120 ASSEMBLY (MAJOR COMPONENTS ARE LISTED BELOW)	05700-002-98-95
23A	1	THERMOSTAT, CORKSCREW 351-254461	06680-500-01-77
23B	1	SWITCH, DPDT	05930-011-49-55
23C	1	LIGHT, SOLICO RED INDICATING	05945-111-21-57
23D	1	TERMINAL BLOCK, 2-POLE	05940-500-09-61
23F	1	GROUND LUG	05940-200-76-00
24	2	FITTING,3213 .231X.394 HEYCO	05975-011-49-03
25	1	REDUCER, 1-1/2 MNPT x 1 FNPT BLACK IRON	04730-002-36-79
26	6	NIPPLE, CLOSE 1 NPT X 2 BLACK IRON	04730-907-08-34
27	1	ELBOW, 1 NPT 90 DEG, BLACK IRON	04730-906-03-34
28	1	VALVE, SAFETY RELIEF 1 NPT	04820-100-01-35
29	1		05700-003-22-96
30	1	COUPLING, 1/4 NPT BLACK IRON	04730-904-01-04
31	1	SIPHON TUBE,PIGTAIL 1/4NPT BLACK IRON	04730-907-14-34
32	1	Y'STRAINER, 1 NPT STEAM BLACK IRON	04730-217-02-32
33	1	TEE, 1 X 1 X 1/4 NPT, BLACK IRON	04730-911-01-00
34	1	VALVE, 120V 1" NPT BRONZE STEAM	04810-002-92-23
35	1	UNION, 1 NPT BLACK IRON	04730-912-01-34
36	1	TEE, 1" NPT BLACK IRON	04730-911-01-34

Page Created: 06-30-2011

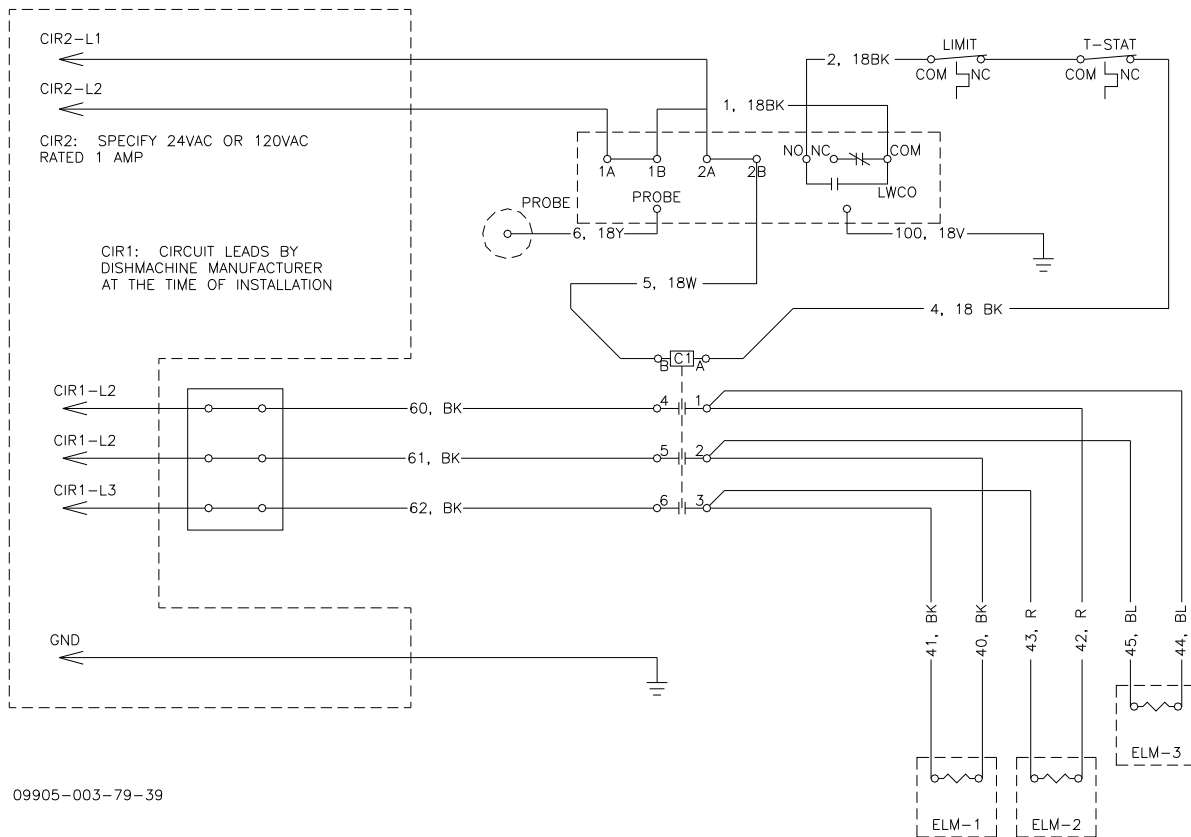
Revised: N/A

BOOSTER HEATER SCHEMATIC (3-PHASE)

USE THIS SCHEMATIC FOR THE FOLLOWING BOOSTER HEATER OPTIONS:

- 208V 60HZ 3-PHASE 12kW (40° RISE)
- 230V 60HZ 3-PHASE 12kW (40° RISE)
- 460V 60HZ 3-PHASE 12kW (40° RISE)

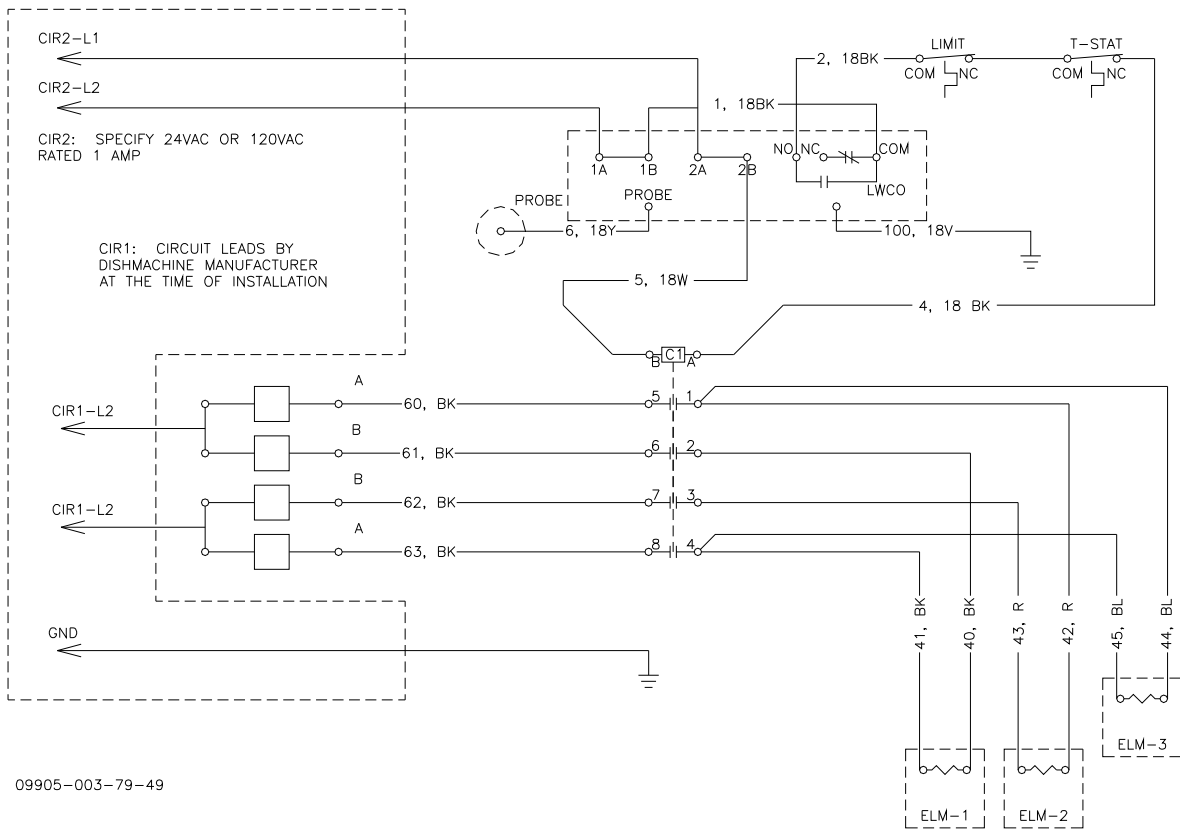
- 208V 60HZ 3-PHASE 18kW (70° RISE)
- 230V 60HZ 3-PHASE 18kW (70° RISE)
- 460V 60HZ 3-PHASE 18kW (70° RISE)



BOOSTER HEATER SCHEMATIC (1-PHASE 12kW)

USE THIS SCHEMATIC FOR THE FOLLOWING BOOSTER HEATER OPTIONS:

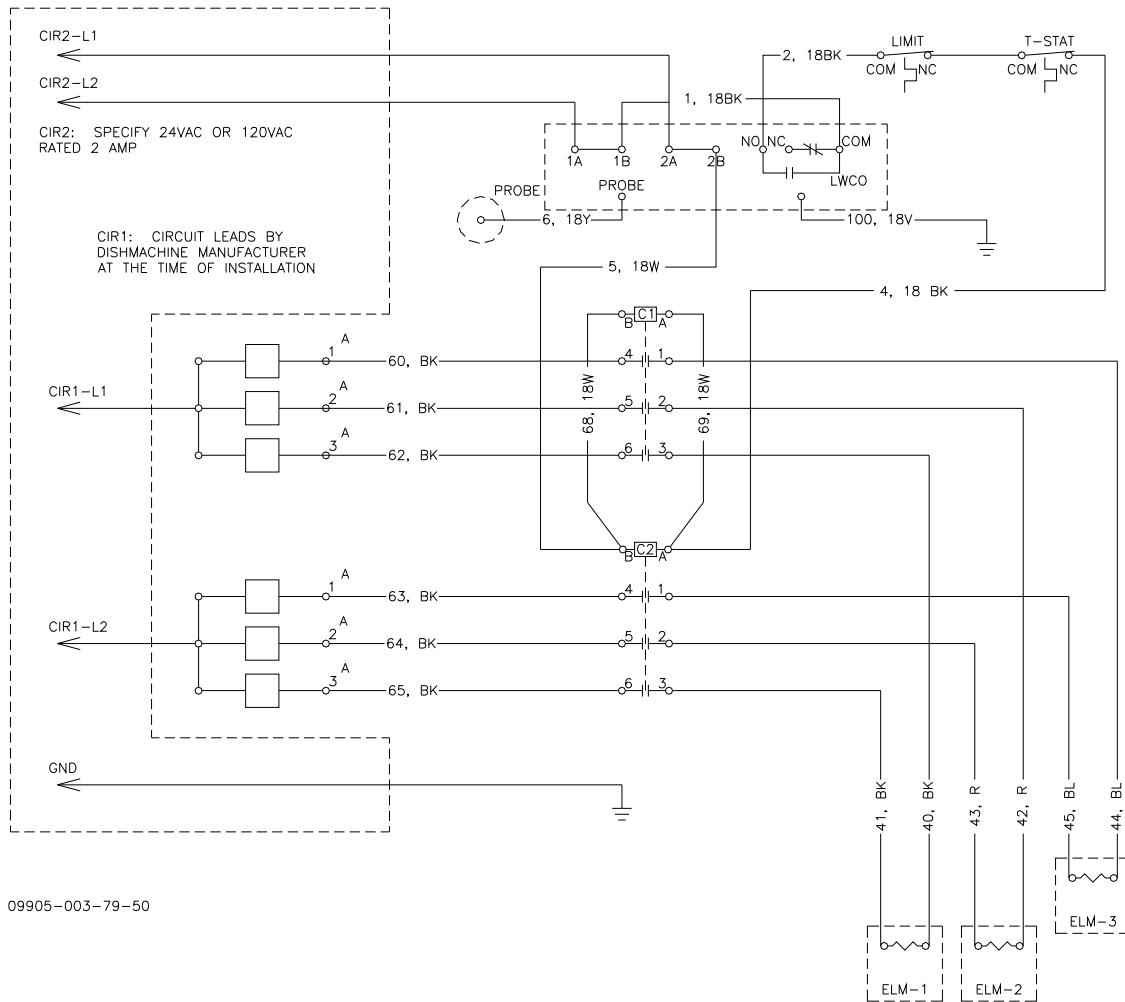
- 208V 60HZ 1-PHASE 12kW (40° RISE)
- 230V 60HZ 1-PHASE 12kW (40° RISE)



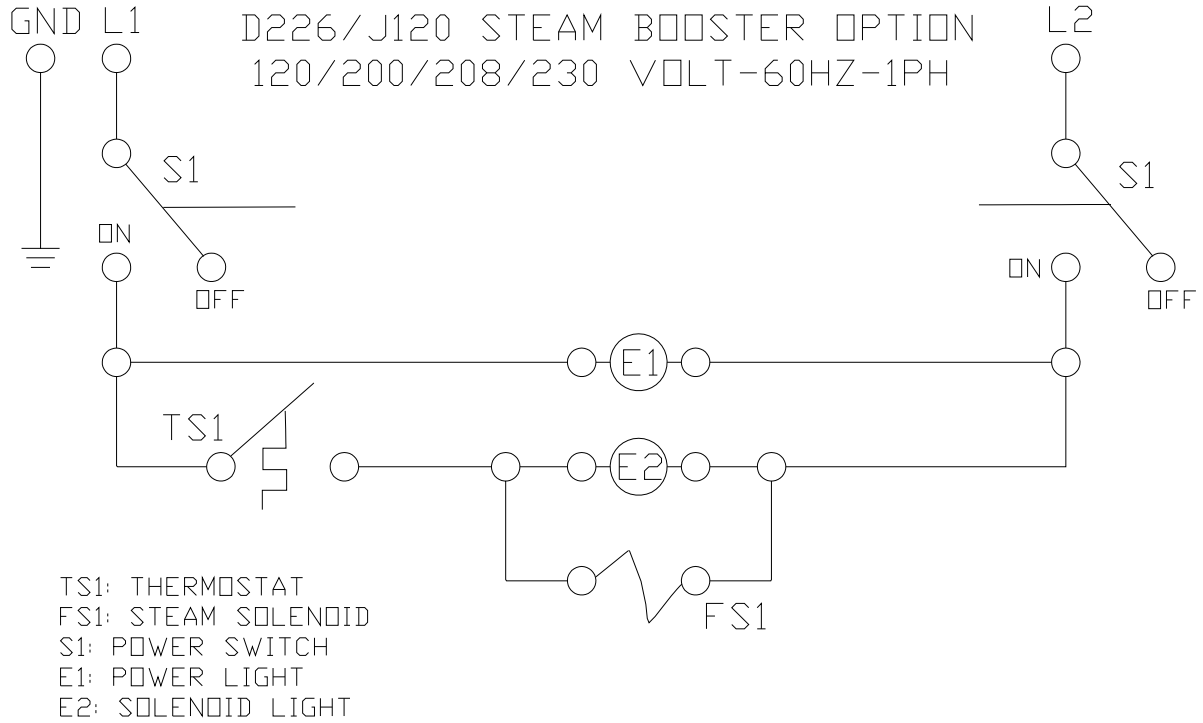
BOOSTER HEATER SCHEMATIC (1-PHASE 18kW)

USE THIS SCHEMATIC FOR THE FOLLOWING BOOSTER HEATER OPTIONS:

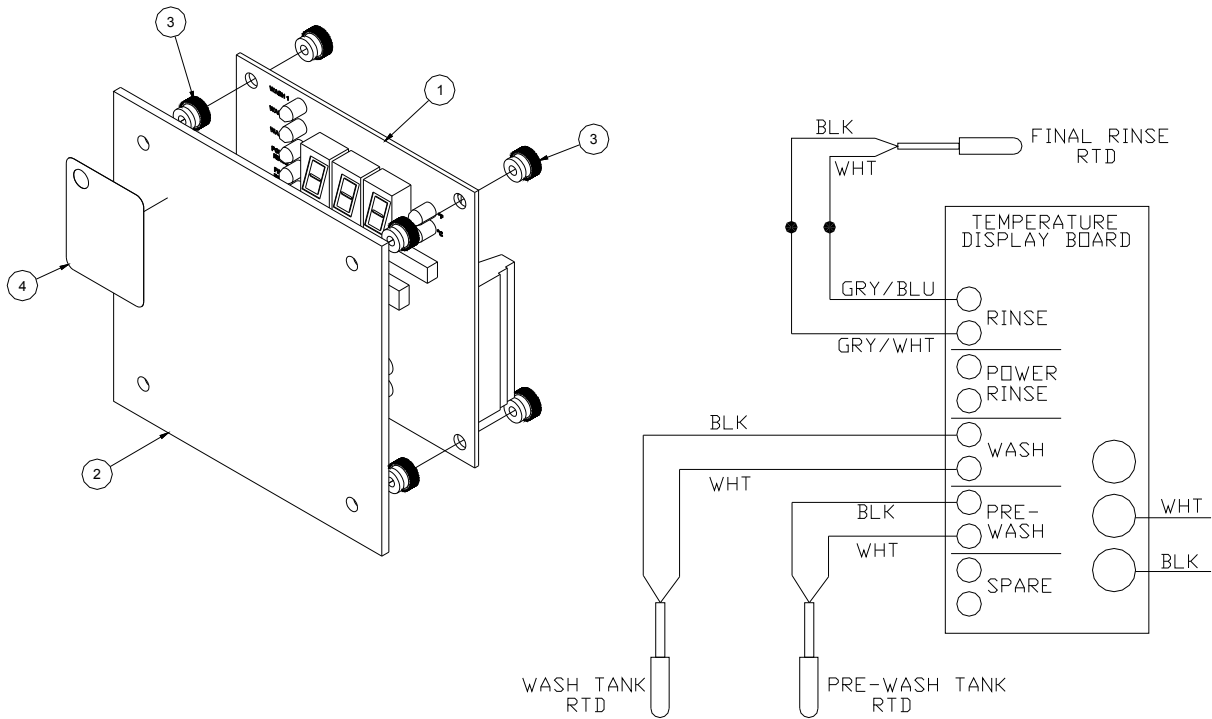
- 208V 60HZ 1-PHASE 18kW (70° RISE)
- 230V 60HZ 1-PHASE 18kW (70° RISE)



STEAM BOOSTER HEATER SCHEMATIC



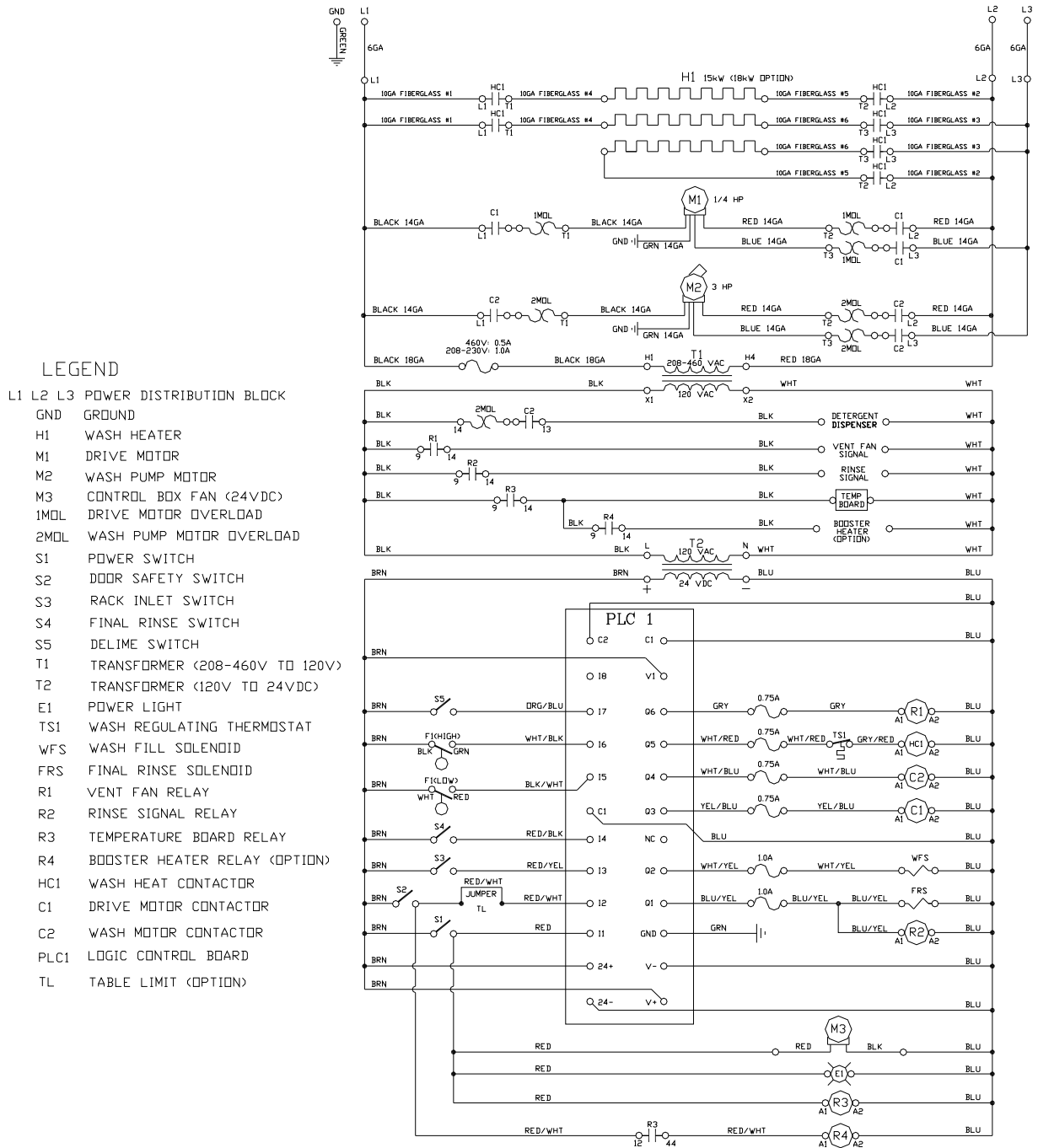
TEMPERATURE BOARD



Item	QTY	Description	Part Number
1	1	CYCLIC TEMPERATURE BOARD	06685-002-74-86
2	1	GAUGE COVER, RED	05700-002-75-62
3	8	NUT, THUMB 6-32 NYLON	05310-002-83-12
4	1	DECAL, TEMPERATURE DISPLAY	09905-003-79-03
5	2 (44" Units) 3 (66" Units)	RTD TEMPERATURE PROBE (NOT SHOWN)	06680-002-16-80

Technical Manual (07610-003-78-18)

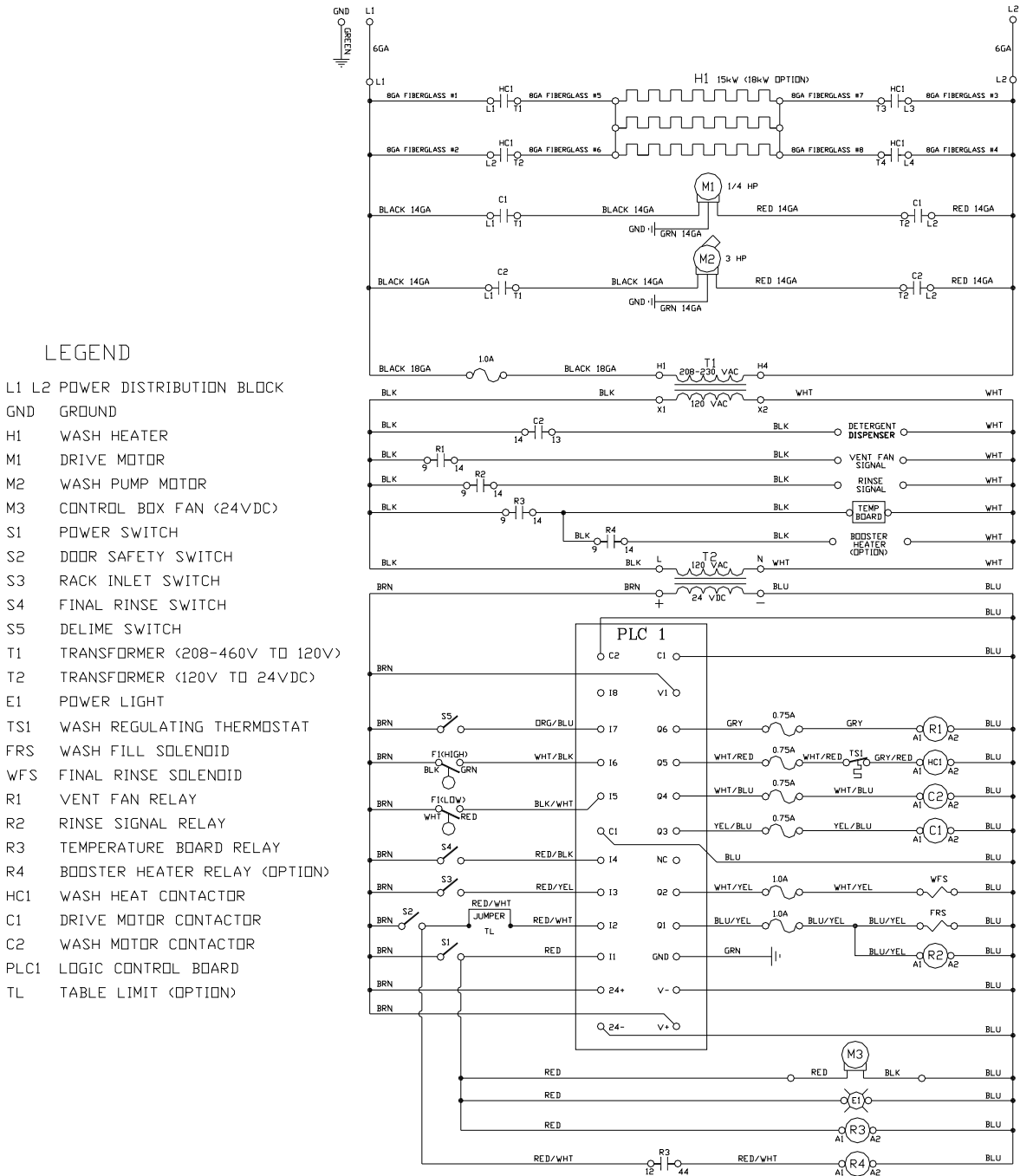
SCHEMATIC, 44" ELECTRICALLY HEATED (208/230/460 VOLT, 60 HZ, 3 PHASE)



Page Created: 05-04-2010
Revised: N/A

Technical Manual (07610-003-78-18)

SCHEMATIC, 44" ELECTRICALLY HEATED (208/230 VOLT, 60 HZ, 1 PHASE)



LEGEND

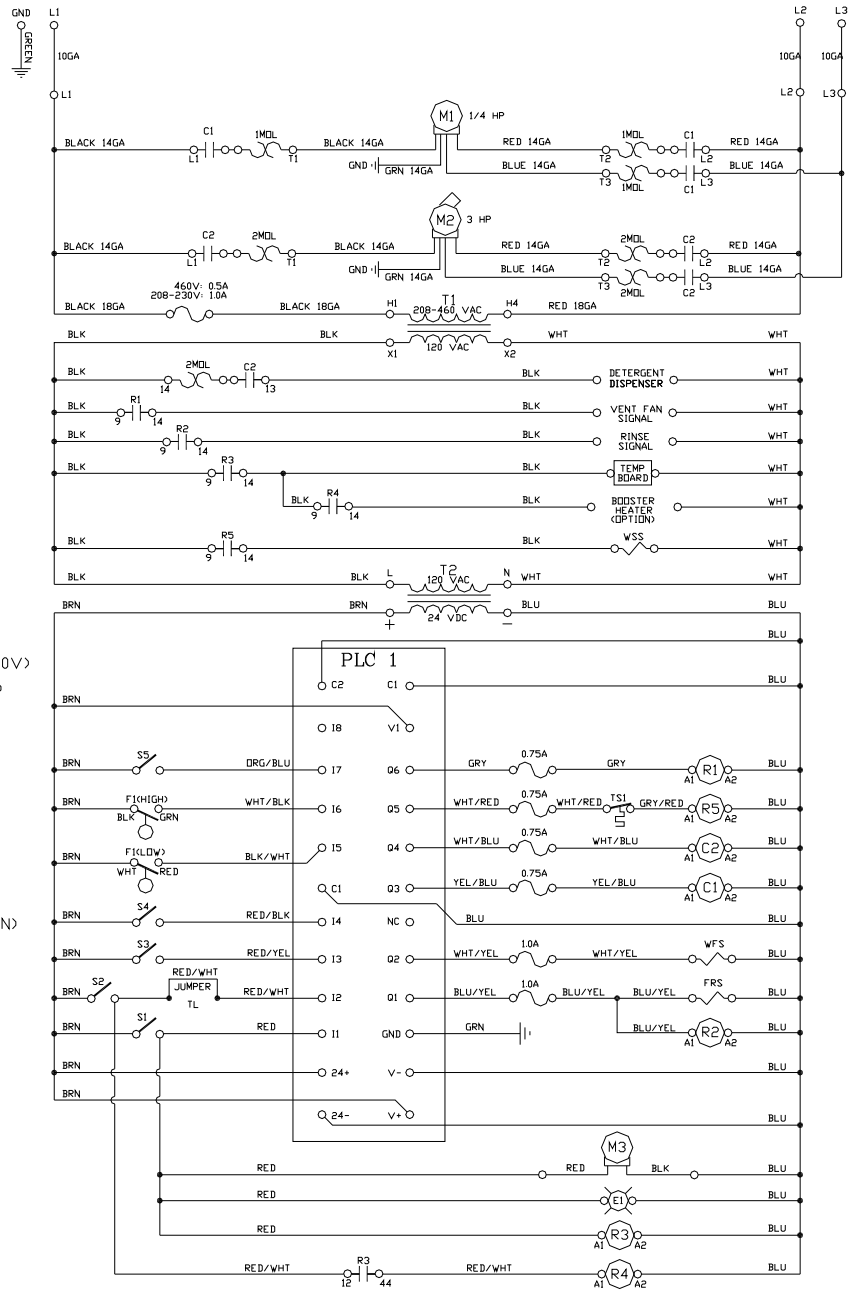
- L1 L2 POWER DISTRIBUTION BLOCK
- GND GROUND
- H1 WASH HEATER
- M1 DRIVE MOTOR
- M2 WASH PUMP MOTOR
- M3 CONTROL BOX FAN (24VDC)
- S1 POWER SWITCH
- S2 DOOR SAFETY SWITCH
- S3 RACK INLET SWITCH
- S4 FINAL RINSE SWITCH
- S5 DELIME SWITCH
- T1 TRANSFORMER (208-460V TO 120V)
- T2 TRANSFORMER (120V TO 24VDC)
- E1 POWER LIGHT
- FRS WASH FILL SOLENOID
- WFS FINAL RINSE SOLENOID
- R1 VENT FAN RELAY
- R2 RINSE SIGNAL RELAY
- R3 TEMPERATURE BOARD RELAY
- R4 BOOSTER HEATER RELAY (OPTION)
- HC1 WASH HEAT CONTACTOR
- C1 DRIVE MOTOR CONTACTOR
- C2 WASH MOTOR CONTACTOR
- PLC1 LOGIC CONTROL BOARD
- TL TABLE LIMIT (OPTION)

Page Created: 05-04-2010
Revised: N/A

Technical Manual (07610-003-78-18)

SCHMATIC, 44" STEAM HEATED (208/230/460 VOLT, 60 HZ, 3 PHASE)

- LEGEND**
- L1 L2 L3 POWER DISTRIBUTION BLOCK
 - GND GROUND
 - M1 DRIVE MOTOR
 - M2 WASH PUMP MOTOR
 - M3 CONTROL BOX FAN (24VDC)
 - 1MOL DRIVE MOTOR OVERLOAD
 - 2MOL WASH PUMP MOTOR OVERLOAD
 - S1 POWER SWITCH
 - S2 DOOR SAFETY SWITCH
 - S3 RACK INLET SWITCH
 - S4 FINAL RINSE SWITCH
 - S5 DELIME SWITCH
 - T1 TRANSFORMER (208-460V TO 120V)
 - T2 TRANSFORMER (120V TO 24VDC)
 - E1 POWER LIGHT
 - TS1 WASH REGULATING THERMOSTAT
 - WSS WASH TANK STEAM SOLENOID
 - WFS WASH FILL SOLENOID
 - FRS FINAL RINSE SOLENOID
 - R1 VENT FAN RELAY
 - R2 RINSE SIGNAL RELAY
 - R3 TEMPERATURE BOARD RELAY
 - R4 BOOSTER HEATER RELAY (OPTION)
 - R5 WASH TANK STEAM RELAY
 - C1 DRIVE MOTOR CONTACTOR
 - C2 WASH MOTOR CONTACTOR
 - PLC1 LOGIC CONTROL BOARD
 - TL TABLE LIMIT (OPTION)

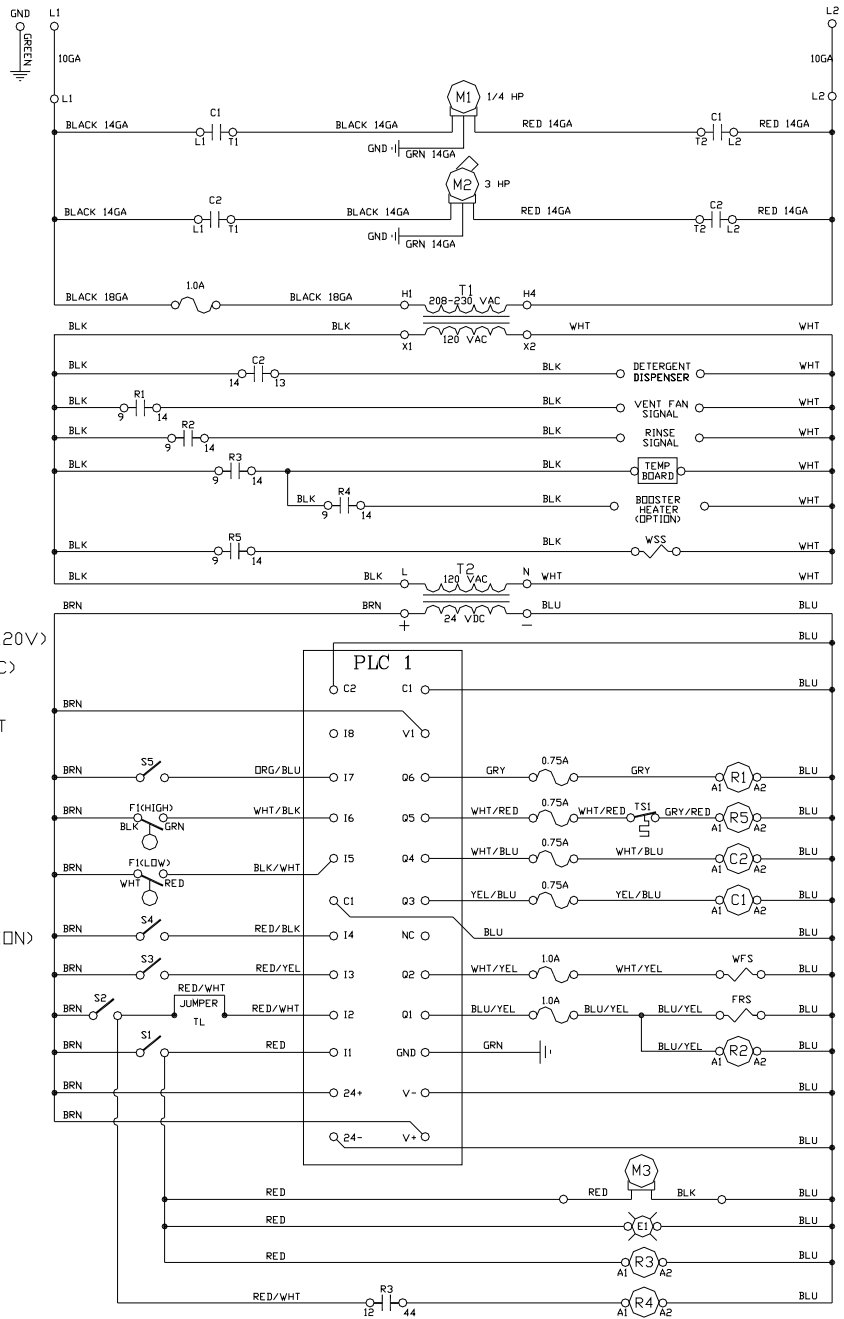


Technical Manual (07610-003-78-18)

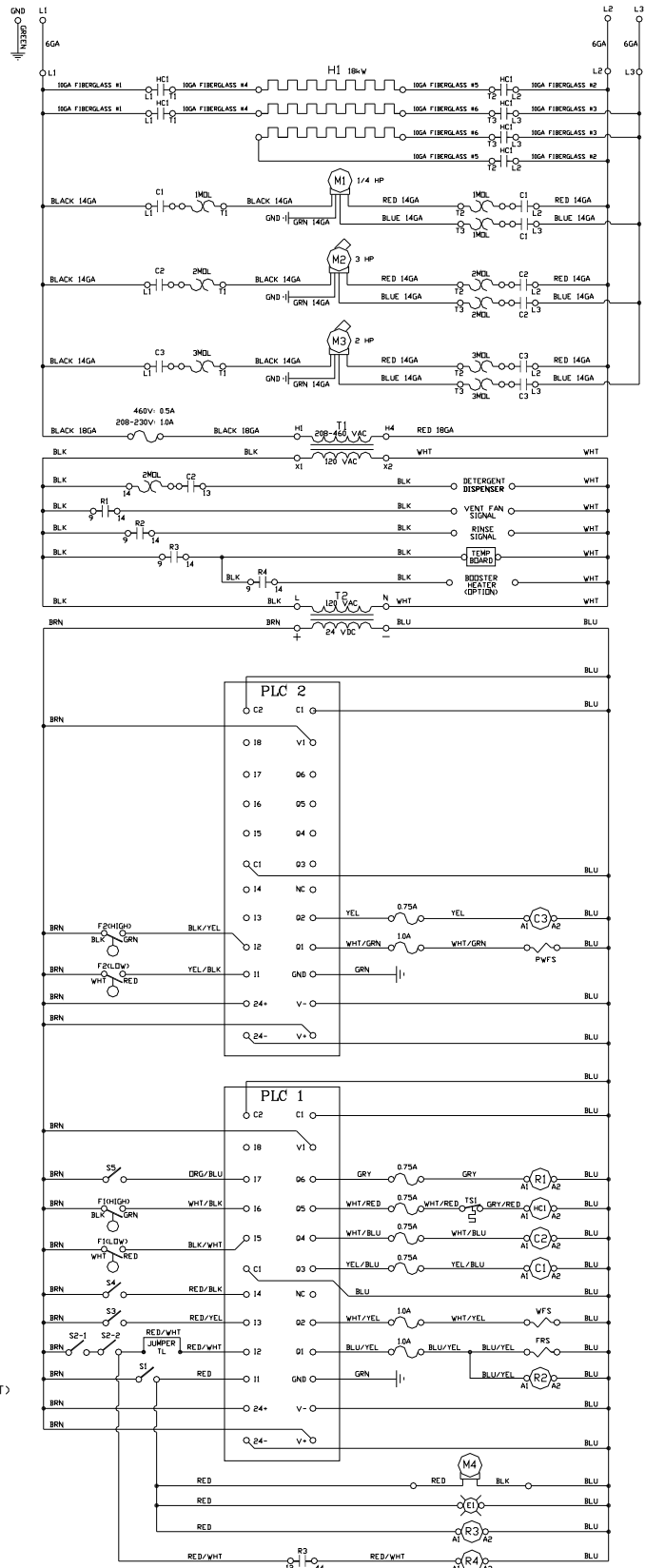
SCHEMATIC, 44" STEAM HEATED (208/230 VOLT, 60 HZ, 1 PHASE)

LEGEND

- L1 L2 POWER DISTRIBUTION BLOCK
- GND GROUND
- M1 DRIVE MOTOR
- M2 WASH PUMP MOTOR
- M3 CONTROL BOX FAN (24VDC)
- S1 POWER SWITCH
- S2 DOOR SAFETY SWITCH
- S3 RACK INLET SWITCH
- S4 FINAL RINSE SWITCH
- S5 DELIME SWITCH
- T1 TRANSFORMER (208-460V TO 120V)
- T2 TRANSFORMER (120V TO 24VDC)
- E1 POWER LIGHT
- TS1 WASH REGULATING THERMOSTAT
- WSS WASH TANK STEAM SOLENOID
- WFS WASH FILL SOLENOID
- FRS FINAL RINSE SOLENOID
- R1 VENT FAN RELAY
- R2 RINSE SIGNAL RELAY
- R3 TEMPERATURE BOARD RELAY
- R4 BOOSTER HEATER RELAY (OPTION)
- R5 WASH TANK STEAM RELAY
- C1 DRIVE MOTOR CONTACTOR
- C2 WASH MOTOR CONTACTOR
- PLC1 LOGIC CONTROL BOARD
- TL TABLE LIMIT (OPTION)

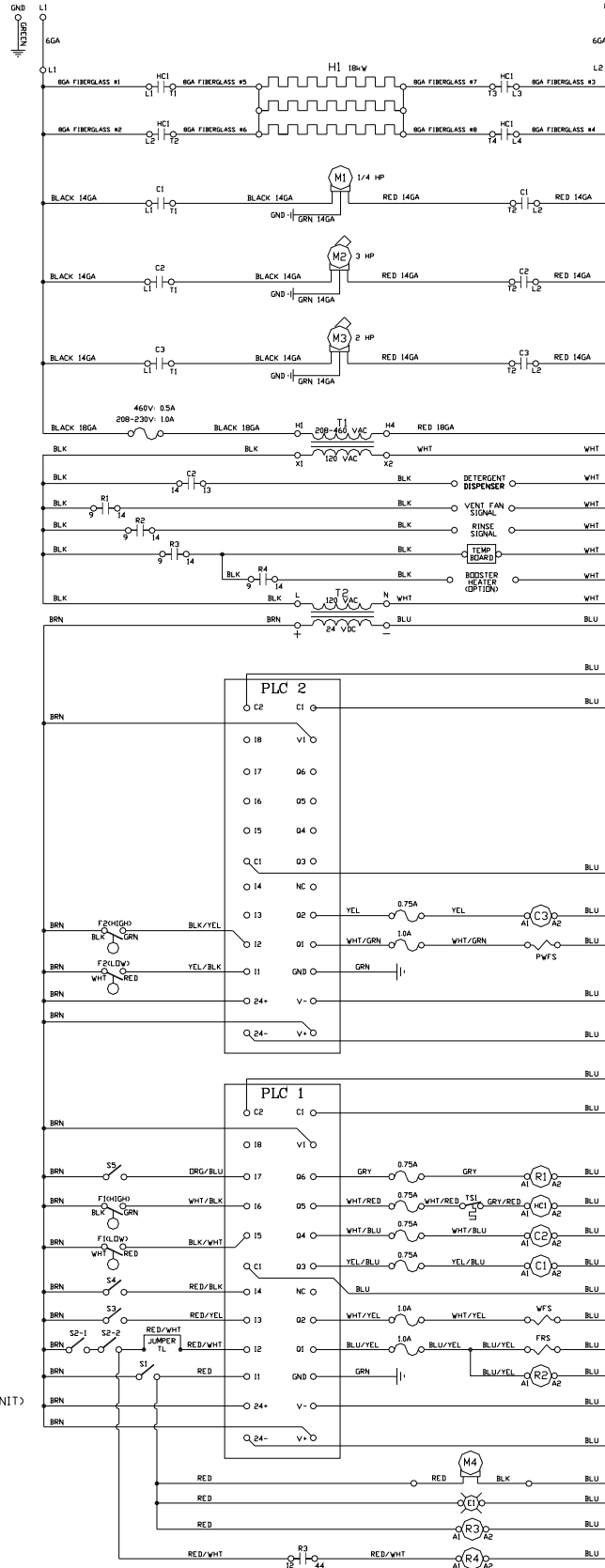


SCHEMATIC, 66" ELECTRICALLY HEATED (208/230/460 VOLT, 60 HZ, 3 PHASE)



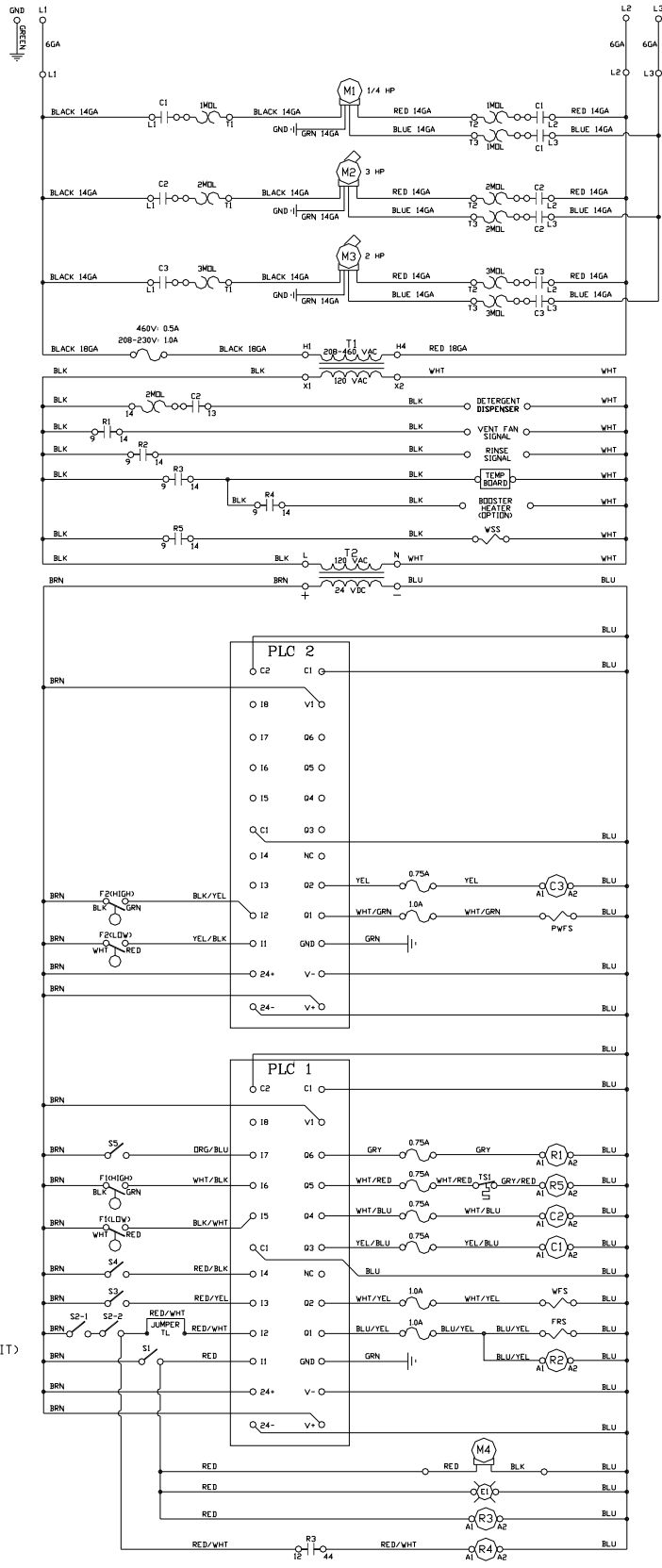
- LEGEND**
- L1 L2 L3 POWER DISTRIBUTION BLOCK
 - GND GROUND
 - H1 WASH HEATER
 - M1 DRIVE MOTOR
 - M2 WASH PUMP MOTOR
 - M3 PRE-WASH PUMP MOTOR
 - M4 CONTROL BOX FAN (24VDC)
 - 1MDL DRIVE MOTOR OVERLOAD
 - 2MDL WASH PUMP MOTOR OVERLOAD
 - 3MDL PRE-WASH PUMP MOTOR OVERLOAD
 - S1 POWER SWITCH
 - S2-1 DOOR SAFETY SWITCH (WASH)
 - S2-2 DOOR SAFETY SWITCH (PRE-WASH)
 - S3 RACK INLET SWITCH
 - S4 FINAL RINSE SWITCH
 - S5 DELIME SWITCH
 - T1 TRANSFORMER (208-460V TO 120V)
 - T2 TRANSFORMER (120V TO 24VDC)
 - F1 WASH TANK FLOAT
 - F2 PRE-WASH TANK FLOAT
 - E1 POWER LIGHT
 - TS1 WASH REGULATING THERMOSTAT
 - PWFS PRE-WASH FILL SOLENOID
 - WFS WASH FILL SOLENOID
 - FRS FINAL RINSE SOLENOID
 - R1 VENT FAN RELAY
 - R2 RINSE SIGNAL RELAY
 - R3 TEMPERATURE BOARD RELAY
 - R4 BOOSTER HEATER RELAY (OPTION)
 - HC1 WASH HEAT CONTACTOR
 - C1 DRIVE MOTOR CONTACTOR
 - C2 WASH MOTOR CONTACTOR
 - C3 PRE-WASH MOTOR CONTACTOR
 - PLC1 LOGIC CONTROL BOARD
 - PLC2 LOGIC CONTROL BOARD (EXPANSION UNIT)
 - TL TABLE LIMIT (OPTION)

SCHEMATIC, 66" ELECTRICALLY HEATED (208/230 VOLT, 60 HZ, 1 PHASE)



- LEGEND**
- L1 L2 L3 POWER DISTRIBUTION BLOCK
 - GND GROUND
 - H1 WASH HEATER
 - M1 DRIVE MOTOR
 - M2 WASH PUMP MOTOR
 - M3 PRE-WASH PUMP MOTOR
 - M4 CONTROL BOX FAN (24VDC)
 - S1 POWER SWITCH
 - S2-1 DOOR SAFETY SWITCH (WASH)
 - S2-2 DOOR SAFETY SWITCH (PRE-WASH)
 - S3 RACK INLET SWITCH
 - S4 FINAL RINSE SWITCH
 - S5 DELIME SWITCH
 - T1 TRANSFORMER (208-460V TO 120V)
 - T2 TRANSFORMER (120V TO 24VDC)
 - F1 WASH TANK FLOAT
 - F2 PRE-WASH TANK FLOAT
 - E1 POWER LIGHT
 - TS1 WASH REGULATING THERMOSTAT
 - PWFS PRE-WASH FILL SOLENOID
 - WFS WASH FILL SOLENOID
 - FRS FINAL RINSE SOLENOID
 - R1 VENT FAN RELAY
 - R2 RINSE SIGNAL RELAY
 - R3 TEMPERATURE BOARD RELAY
 - R4 BOOSTER HEATER RELAY (OPTION)
 - HC1 WASH HEAT CONTACTOR
 - C1 DRIVE MOTOR CONTACTOR
 - C2 WASH MOTOR CONTACTOR
 - C3 PRE-WASH MOTOR CONTACTOR
 - PLC1 LOGIC CONTROL BOARD
 - PLC2 LOGIC CONTROL BOARD (EXPANSION UNIT)
 - TL TABLE LIMIT (OPTION)

SCHEMATIC, 66" STEAM HEATED (208/230/460 VOLT, 60 HZ, 3 PHASE)

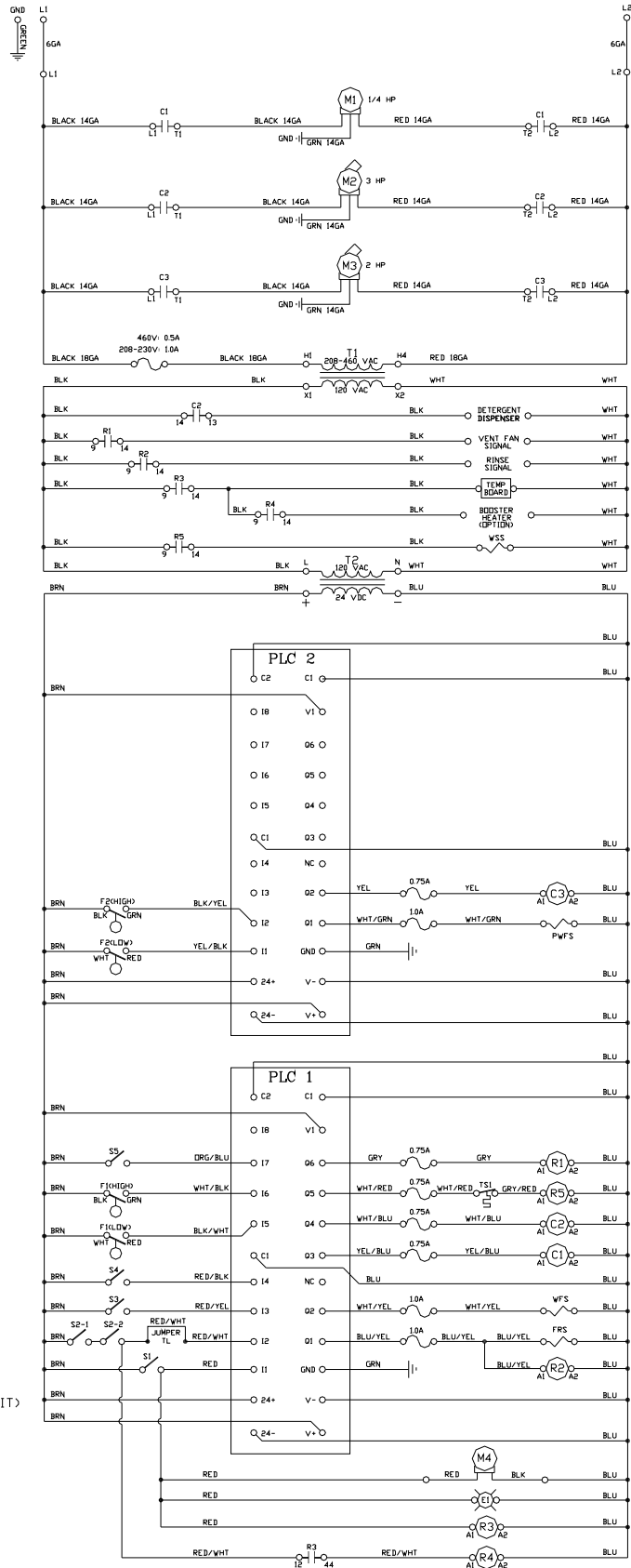


LEGEND

- L1 L2 L3 POWER DISTRIBUTION BLOCK
- GND GROUND
- M1 DRIVE MOTOR
- M2 WASH PUMP MOTOR
- M3 PRE-WASH PUMP MOTOR
- M4 CONTROL BOX FAN (24VDC)
- 1MDL DRIVE MOTOR OVERLOAD
- 2MDL WASH PUMP MOTOR OVERLOAD
- 3MDL PRE-WASH PUMP MOTOR OVERLOAD
- S1 POWER SWITCH
- S2-1 DOOR SAFETY SWITCH (WASH)
- S2-2 DOOR SAFETY SWITCH (PRE-WASH)
- S3 RACK INLET SWITCH
- S4 FINAL RINSE SWITCH
- S5 DELIME SWITCH
- T1 TRANSFORMER (208-460V TO 120V)
- T2 TRANSFORMER (120V TO 24VDC)
- F1 WASH TANK FLOAT
- F2 PRE-WASH TANK FLOAT
- E1 POWER LIGHT
- TS1 WASH REGULATING THERMOSTAT
- PWFS PRE-WASH FILL SOLENOID
- WFS WASH FILL SOLENOID
- FRS FINAL RINSE SOLENOID
- WSS WASH TANK STEAM SOLENOID
- R1 VENT FAN RELAY
- R2 RINSE SIGNAL RELAY
- R3 TEMPERATURE BOARD RELAY
- R4 BOOSTER HEATER RELAY (OPTION)
- R5 WASH TANK STEAM RELAY
- C1 DRIVE MOTOR CONTACTOR
- C2 WASH MOTOR CONTACTOR
- C3 PRE-WASH MOTOR CONTACTOR
- PLC1 LOGIC CONTROL BOARD
- PLC2 LOGIC CONTROL BOARD (EXPANSION UNIT)
- TL TABLE LIMIT (OPTION)

SCHEMATIC, 66" STEAM HEATED (208/230 VOLT, 60 HZ, 1 PHASE)

- LEGEND**
- L1 L2 L3 POWER DISTRIBUTION BLOCK
 - GND GROUND
 - M1 DRIVE MOTOR
 - M2 WASH PUMP MOTOR
 - M3 PRE-WASH PUMP MOTOR
 - M4 CONTROL BDX FAN (24VDC)
 - S1 POWER SWITCH
 - S2-1 DOOR SAFETY SWITCH (WASH)
 - S2-2 DOOR SAFETY SWITCH (PRE-WASH)
 - S3 RACK INLET SWITCH
 - S4 FINAL RINSE SWITCH
 - S5 DELIME SWITCH
 - T1 TRANSFORMER (208-460V TO 120V)
 - T2 TRANSFORMER (120V TO 24VDC)
 - C1 DRIVE MOTOR CONTACTOR
 - C2 WASH MOTOR CONTACTOR
 - C3 PRE-WASH MOTOR CONTACTOR
 - F1 WASH TANK FLOAT
 - F2 PRE-WASH TANK FLOAT
 - E1 POWER LIGHT
 - TS1 WASH REGULATING THERMOSTAT
 - PWFS PRE-WASH FILL SOLENOID
 - WFS WASH FILL SOLENOID
 - FRS FINAL RINSE SOLENOID
 - WSS WASH TANK STEAM SOLENOID
 - R1 VENT FAN RELAY
 - R2 RINSE SIGNAL RELAY
 - R3 TEMPERATURE BOARD RELAY
 - R4 BOOSTER HEATER RELAY (OPTION)
 - R5 WASH TANK STEAM RELAY
 - PLC1 LOGIC CONTROL BOARD
 - PLC2 LOGIC CONTROL BOARD (EXPANSION UNIT)
 - TL TABLE LIMIT (OPTION)



MAINTENANCE & REPAIR CENTERS

ALABAMA

**JONES-McLEOD APPLIANCE
SVC**

1616 7TH AVE. NORTH
BIRMINGHAM, AL 35203
(205) 251-0159
800-821-1150
FAX: (205) 322-1440
service@jones-mcleod.com

**JONES-McLEOD APPLIANCE
SVC**

854 LAKESIDE DRIVE
MOBILE, AL 36693
(251) 666-7278
800-237-9859
FAX: (251) 661-0223

ALASKA

**RESTAURANT APPLIANCE
SERVICE**

7219 ROOSEVELT WAY NE
SEATTLE, WA 98115
(206) 524-8200
800-433-9390
FAX: (206) 525-2890
info@restappl.com

ARIZONA

**AUTHORIZED COMMERCIAL
FOOD EQMT. SVC**

4832 SOUTH 35TH STREET
PHOENIX, AZ 85040
(602) 234-2443
800-824-8875
FAX: (602) 232-5862
acsboss@aol.com

GCS SERVICE INC.

PHOENIX, AZ
(602) 474-4510
800-510-3497
FAX: (602) 470-4511

ARKANSAS

BROMLEY PARTS & SVC

10TH AND RINGO
P.O. BOX 1688
LITTLE ROCK, AR 72202
(501) 374-0281
800-482-9269
FAX: (501) 374-8352
service@bromleyparts.com
parts@bromleyparts.com

GCS SERVICE, INC.

3717 CHERRY ROAD
MEMPHIS, TN 38118
(901) 366-4587
800-262-9155
FAX: (901) 366-4588

CALIFORNIA

**BARKERS FOOD MACHINERY
SERVICES**

5367 SECOND STREET
IRVINDALE, CA 91706
(626) 960-9390
800-258-6999
FAX: (626) 337-4541
service@barkers.com

GCS SERVICE INC.

LOS ANGELES, CA
(213) 683-2090
800-327-1433
FAX: (213) 683-2099

GCS SERVICE INC.

SANTA ANA, CA
(714) 542-1798
800-540-0719
FAX: (714) 542-4787

GCS SERVICE INC.

S. SAN FRANCISCO, CA
(650) 635-0720
800-969-4427
FAX: (650) 871-4019

**COMMERCIAL APPLIANCE
SERVICE, INC.**

6507 PACIFIC AVENUE,
Suite 102
STOCKTON, CA 95207
(916) 567-0203
(800) 464-2222
(916) 567-0266 FAX

GCS SERVICE INC.

SAN DIEGO, CA
(858) 549-8411
800-422-7278
FAX: (858) 549-2323

INDUSTRIAL ELECTRIC SVC.

5662 ENGINEER DRIVE
HUNTINGTON BEACH, CA
92649
(714) 379-7100
(800) 457-3783
FAX: (714) 379-7109

P & D APPLIANCE SVC

100 SOUTH LINDEN AVE.
S. SAN FRANCISCO, CA 94080
(650) 635-1900
800-424-1414
FAX: (650) 635-1919
pndappl@aol.com

P & D APPLIANCE

4220-C ROSEVILLE ROAD
NORTH HIGHLANDS, CA
95660
(916) 974-2772
800-824-7219
FAX:(916) 974-2774

**COMMERCIAL APPLIANCE
SERVICE, INC.**

281 LATHROP WAY, #100
SACRAMENTO, CA 95815
(916) 567-0203
(800) 464-2222
(916) 567-0324 FAX

COLORADO

GCS SERVICE INC.

SHERIDAN, CO
(303) 371-9054
800-972-5314
FAX: (303) 371-4754

**HAWKINS COMMERCIAL
APPLIANCE SERVICE**

3000 S. WYANDOT ST.
ENGLEWOOD, CO 80110
(303) 781-5548
(800) 624-2117
FAX: (303) 761-5561
johns@hawkinscommercial.com

METRO APPLIANCE SERVICE

1640 S BROADWAY
DENVER, CO 80210
(303) 778-1126
800-525-3532
FAX: (303) 778-0268
metroappls@aol.com

CONNECTICUT

GCS SERVICE INC.

HARTFORD, CT
(860) 549-5575
800-423-1562
FAX: (860) 527-6355

SUPERIOR KITCHEN SERVICE INC.

22 THOMPSON ROAD
WINDSOR, CT 06088
(888) 590-1899
(888) 590-1996 FAX

DELAWARE

FOOD SERVICE EQMT.

2101 PARKWAY SOUTH
BROOMALL, PA 19008
(610) 356-6900
FAX: (610) 356-2038
dancerule@aol.com

GCS SERVICE INC.

PHILADELPHIA, PA
(215)925-6217
800-441-9115
FAX: (215) 925-6208

ELMER SCHULTZ SERVICE

36 BELMONT AVE.
WILLMINGTON, DE 19804
(302) 655-8900
800-225-0599
FAX: (302) 656-3673
elmer2@erols.com

EMR SERVICE DIVISION

106 WILLIAMSPORT CIRCLE
SALISBURY, MD 21804
(410) 543-8197
FAX: (410) 548-4038

FLORIDA

**COMMERCIAL APPLIANCE
SERVICE**

8416 LAUREL FAIR CIRCLE
BLDG 6, SUITE 114
TAMPA, FL 33610
(813) 663-0313
800-282-4718
FAX: (813) 663-0212
commercialappliance@world-
net.att.net

GCS SERVICE INC

MIAMI, FL
(305) 621-6666
800-766-8966
FAX: (305) 621-6656

GCS SERVICE INC

ORLANDO, FL
(407) 841-2551
800-338-7322
FAX: (407) 423-8425

NASS PARTS AND SERVICE, INC.

1144 BELVILLE ROAD, UNIT 359
DAYTONA BEACH, FL 32114
(386) 226-2642
(800) 432-2795
(386) 736-7695 FAX

GCS SERVICE INC

TAMPA, FL
(813) 626-6044
800-282-3008
FAX: (813) 621-1174

MAINTENANCE & REPAIR CENTERS

JONES-MCLEOD APPLIANCE SVC

854 LAKESIDE DRIVE
MOBILE, AL 36693
(251) 666-7278
800-237-9859
FAX: (251) 661-0223
service@jones-mcleod.com

NASS PARTS AND SERVICE, INC.

1108 SOUTH WOODS AVENUE
ORLANDO, FL 32805
(407) 425-2681
(800) 432-2795
(407) 425-3463 FAX

NASS PARTS AND SERVICE, INC.

1376 HEIDE AVENUE
PALM BAY, FL 32907
(321) 952-2012
(800) 432-2795
(321) 953-0266 FAX

GEORGIA

GCS SERVICE INC

ATLANTA, GA
(770) 452-7322
800-334-3599
FAX: (770) 452-7473

HERITAGE FOODSERVICE GROUP OF ATLANTA

2100 NORCROSS PKWY. SUITE 130
NORCROSS, GA 30071
(770) 368-1465
866-388-9837
FAX: (866) 388-9838

WHALEY FOODSERVICE REPAIRS

109-A OWENS INDUSTRIAL DRIVE
SAVANNAH, GA 31405
(912) 447-0827
888-765-0036
FAX: (912) 447-0826

PIERCE PARTS & SERVICE

2422 ALLEN ROAD
MACON, GA 31216
(478) 781-6003
800-368-2512
FAX: (478) 781-7186

HAWAII

FOOD EQMT. PARTS & SERVICE CO.

300 PUUHALE RD.
HONOLULU, HI 96819
(808) 847-4871

FAX: (808) 842-1560
fepsco@hula.net

IDAHO

RESTAURANT APPLIANCE SVC.

7219 ROOSEVELT WAY NE

SEATTLE, WA 98115
(206) 524-8200
800-433-9390
FAX: (206) 525-2890
info@restappl.com

RON'S SERVICE

703 E 44TH STREET STE 10
GARDEN CITY, ID 83714
(208) 375-4073
FAX: (208) 375-4402

ILLINOIS

CONES REPAIR SVC.

2408 40TH AVE.
MOLINE, IL 61265
(309) 797-5323
800-716-7070
FAX: (309)797-3631
jackb@cones.com

EICHENAUER SERVICES INC.

130 S OAKLAND ST.
DECATUR, IL 62522
(217) 429-4229
800-252-5892
FAX: (217) 429-0226
esi@esiquality.com

GCS SERVICE INC.

ELMHURST, IL
(630) 941-7800
800-942-9689
FAX: (630) 941-6048

GCS SERVICE INC.

ST. LOUIS, MO
(314) 683-7444
800-284-4427
FAX: (314) 638-0135

GENERAL PARTS, INC.

248 JAMES STREET
BENSONVILLE, IL 60106
(630) 595-3300
(800) 880-3604
FAX: (630)595-0006

INDIANA

GCS SERVICE INC.

INDIANAPOLIS, IN
(317) 545-9655
800-727-8710
FAX: (317) 549-6286

GCS SERVICE INC.

8622 LA PAS TRAIL
INDIANAPOLIS, IN 46268
(317) 290-8060
(800) 410-9794
(317) 290-8085 FAX

IOWA

GOODWIN TUCKER GROUP

2900 DELAWARE AVENUE
DES MOINES, IA 50317
(515) 262-9308
800-372-6066
FAX: (515) 262-2936
parts@goodwintucker.com

CONES REPAIR SVC.

1056 27TH AVENUE SW
CEDAR RAPIDS, IA 52404
(319) 365-3325

800-747-3326
FAX: (319) 365-0885

KANSAS

GCS SERVICE INC.

KANSAS CITY, MO
(816) 920-5999
800-229-6477
FAX: (816) 920-7387

GENERAL PARTS, INC.

1101 E. 13TH STREET
KANSAS CITY, MO 64106
(816) 421-5400
(800) 279-9967
(816) 421-1270 FAX

KENTUCKY

CERTIFIED SERVICE CENTER

127 DISHMAN LANE
BOWLING GREEN, KY 42101
(270) 783-0012
(877) 907-0012
FAX: (270) 783-0058

CERTIFIED SERVICE CENTER

RAMCO BUSINESS PARK
4283 PRODUCE ROAD
LOUISVILLE, KY 40218
(502) 964-7007
800-637-6350
FAX: (502) 964-7202
cwalker@certifiedsc.com
droenigk@certifiedsc.com

CERTIFIED SERVICE CENTER

1051 GOODWIN DRIVE
LEXINGTON, KY 40505
(606) 254-8854
800-432-9269
FAX: (606) 231-7781
jatkins@certifiedsc.com

GCS SERVICE INC.

LOUISVILLE, KY
(502) 367-1788
800-752-6160
FAX: (502) 367-0400

GCS SERVICE INC.

LEXINGTON, KY
(606) 255-0746
800-432-9260
FAX: (606) 255-0748

LOUISIANA

HERITAGE SERVICE GROUP

1532 RIVER OAKS WEST
NEW ORLEANS, LA 70123
(504) 734-8864
(800) 499-2351
(504) 733-2559 FAX

MAINE

GCS SERVICE INC.

CHELSEA, MA
(617) 889-9393
800-225-1155
FAX: (617) 889-1222

MASSACHUSETTS RESTAURANT SUPPLY

34 SOUTH STREET
SOMERVILLE, MA 02143
(617) 868-1930
800-338-6737
FAX: (617) 686-5331

PINE TREE FOOD EQUIPMENT

175 LEWISTON ROAD
GRAY, ME 04039
(207) 657-6400
(800) 540-5427
(207) 657-5464 FAX

MARYLAND

EMR SERVICE DIVISION

700 EAST 25TH STREET
BALTIMORE, MD 21218
(410) 467-8080
800-879-4994
FAX: (410) 467-4191
baltparts@emrco.com

MAINTENANCE & REPAIR CENTERS

EMR SERVICE DIVISION
106 WILLIAMSPORT CIRCLE
SALISBURY, MD 21804
(410) 543-8197
888-687-8080
FAX: (410) 548-4038
baltparts@emrco.com

EMR SERVICE DIVISION
5316 Sunnyside Ave.
Beltsville, MD 20715
(301) 931-7000
800-348-2365
FAX: (301) 931-3060
baltparts@emrco.com

GCS SERVICE INC.
SILVER SPRING, MD
(301) 585-7550 (DC)
(410) 792-0338 (BALT)
(800) 638-7278
FAX: (301) 495-4410

MASSACHUSETTS

ACE SERVICE CO.
95 HAMPTON AVE.
NEEDHAM, MA 02494
(781) 449-4220
800-225-4510 MA & NH
FAX: (781) 444-4789
taceservice@aol.com

MASSACHUSETTS RESTAURANT SUPPLY
34 SOUTH STREET
SOMERVILLE, MA 02143
(617) 868-1930
800-338-6737
FAX: (617) 868-5331

GCS SERVICE INC.
CHELSEA, MA
(617) 889-9393
800-225-1155
FAX: (617) 889-1222

GCS SERVICE INC.
HARTFORD, CT
(860) 549-5575
800-723-1562
FAX: (860) 527-6355

SUPERIOR KITCHEN SERVICE INC.
399 FERRY STREET
EVERETT, MA 02149
(617) 389-1899
(888) 590-1899
(617) 389-1996 FAX

MICHIGAN

GCS SERVICE INC.
LIVONIA, MI
(248) 426-9500
800-772-2936
FAX: (248) 426-7555

JACKSON SERVICE COMPANY
3980 BENSTEIN RD.
COMMERCE TWSHP, MI 48382
(248) 363-4159
800-332-4053
FAX: (248) 363-5448

GCS SERVICE INC.
GRAND RAPIDS, MI
(616) 241-0200
800-823-4866
FAX: (616) 241-0541

MINNESOTA

GCS SERVICE INC.
MINNEAPOLIS, MN
(612) 546-4221
800-345-4221
FAX: (612) 546-4286

GENERAL PARTS, INC.
11311 HAMPSHIRE AVENUE SOUTH
BLOOMINGTON, MN 55438-2456
(952) 944-5800
(800) 279-9980
(800) 279-9980 FAX

MISSISSIPPI

GCS SERVICE INC.
JACKSON, MS
(601) 956-7800
800-274-5954
FAX: (601) 956-1200

GCS SERVICE INC.
MEMPHIS, TN
(901) 366-4587
800-262-9155
FAX: (901) 366-4588

MISSOURI

GCS SERVICE INC.
KANSAS CITY, MO
(816) 920-5999
800-229-6477
FAX: (816) 920-7387

GCS SERVICE INC.
ST. LOUIS, MO
(314) 638-7444
800-284-4427
FAX: (314) 638-0135

KAEMMERLIN PARTS & SVC.
2728 LOCUST STREET
ST. LOUIS, MO 63103
(314) 535-2222
FAX: (314) 535-6205
petek@kps.stl.com

GENERAL PARTS, INC.
1101 EAST 13TH STREET
KANSAS CITY, MO 64106
(816) 421-5400
(800) 279-9967
(816) 421-1270 FAX

MONTANA

RESTAURANT APPLIANCE SVC.
7219 ROOSEVELT WAY NE
SEATTLE, WA 98115
(206) 524-8200
800-433-9390
FAX: (206) 525-2890
info@restappl.com

NEBRASKA

GOODWIN - TUCKER GROUP
7535 D STREET
OMAHA, NE 68124
(402) 397-2880
800-228-0342
FAX: (402) 397-2881
askme@goodwintucker.com

NEVADA

HI TECH COMMERCIAL SERVICE
1840 STELLA LAKE STREET
NORTH LAS VEGAS, NV 89106
(702) 649-4616
(877) 924-4832
FAX: (702) 649-4607
larry@hitechnv.com

HI TECH COMMERCIAL SERVICE
5454 LOUIE LANE
RENO, NV 89511
(775) 852-9696
FAX: (775) 852-5104

GCS SERVICE INC.
LAS VEGAS, NV
(702) 450-3495
800-500-9060
FAX: (702) 450-3491

NEW HAMPSHIRE

GCS SERVICE INC.
CHELSEA, MA
(617)889-9393
800-225-1155
FAX: (617) 889-1222

ACE SERVICE CO.
95 HAMPTON AVE.
NEEDHAM, MA 02494
(781) 449-4220
800-225-4510 MA & NH
FAX: (781) 444-4789
taceservice@aol.com

MASSACHUSETTS RESTAURANT SUPPLY
34 SOUTH STREET
SOMERVILLE, MA 02143
(617) 868-1930
800-338-6737
FAX: (617) 868-5331

NEW JERSEY

JAY HILL REPAIRS
90 CLINTON RD.
FAIRFIELD, NJ 07004
(973) 575-9145
800-836-0643
FAX: (973) 575-5890
jhrepair@aol.com

GCS SERVICE INC.
EAST RUTHERFORD, NJ
(973) 614-0003
800-399-8294
FAX: (973) 614-0230

GCS SERVICE INC.
PHILADELPHIA, PA
(215) 925-6217
800-441-9115
FAX: (215) 925-6208

ELMER SCHULTZ SERVICES
201 W. WASHINGTON AVE.
PLEASANTVILLE, NJ 08232
(609) 641-0317
800-378-1641
FAX: (609) 641-8703
elmer2@erols.com

NEW YORK

APPLIANCE INSTALLATION AND SERVICE CORP.
1336 MAIN STREET
BUFFALO, NY 14209
(716) 884-7425
800-722-1252
FAX: (716) 884-0410
ais@worldnet.att.net

MAINTENANCE & REPAIR CENTERS

B.E.S.T. INC.

3003 GENESEE STREET
BUFFALO, NY 14225
(716) 893-6464
800-338-5011
FAX: (716) 893-6466
bestserv@aol.com

DUFFY'S EQUIPMENT SVC.

3138 ONEIDA STREET
SAUQUOIT, NY 13456
(315) 737-9401
800-443-8339
FAX: (315) 737-7132
duffyequip@aol.com

NORTHERN PARTS & SVC.

21 NORTHERN AVENUE
PLATTSBURGH, NY 12903
(518) 563-3200
800-634-5005
FAX: (800) 782-5424
info@northernparts.com

GCS SERVICE INC.

BROOKLYN, NY
(718) 486-5220
800-969-4271
FAX: (718) 486-6772

**ALL SERVICE KITCHEN
EQUIPMENT REPAIR**

10 CHARLES ST.
NEW HYDE PARK, NY 11040
(516) 378-1176
FAX: (516) 378-1735

ALL ISLAND REPAIRS

40-9 BURT DRIVE
DEER PARK, NY 11729
(631) 242-5588
FAX: (631) 242-6102

NORTH CAROLINA

AUTHORIZED APPLIANCE

SERVICECENTER
1020 TUCKASEEGEE RD.
CHARLOTTE, NC 28208
(704) 377-4501
(800) 532-6127
FAX:(704) 377-4504

AUTHORIZED APPLIANCE

SERVICECENTER
800 N. PERSON ST.
RALEIGH, NC 27604
(919) 834-3476
FAX:(919) 834-3477

AUTHORIZED APPLIANCE

SERVICECENTER
904 S. MARSHALL ST.
WINSTON-SALEM, NC 27403
(336) 725-5396
FAX:(336) 721-1289

AUTHORIZED APPLIANCE

SERVICECENTER
104 HINTON AVE.
WILMINGTON, NC 28403
(910) 313-1250
FAX:(910) 313-6130

WHALEY FOODSERVICE

8334-K ARROWRIDGE BLVD
CHARLOTTE, NC 28273
(704) 529-6242
FAX: (704) 529-1558
info@whaleyfoodservice.com

WHALEY FOODSERVICE REPAIRS

203-D CREEK RIDGE RD.
GREENSBORO, NC 27406
(336) 333-2333
FAX: (336) 333-2533
info@whaleyfoodservice.com

WHALEY FOODSERVICE REPAIRS

335-105 SHERWEE DRIVE
RALEIGH, NC 27603
(919) 779-2266
FAX: (919) 779-2224
info@whaleyfoodservice.com

WHALEY FOODSERVICE REPAIRS

6418-101 AMSTERDAM WAY
WILMINGTON, NC 28405
(910) 791-0000
FAX: (910) 791-6662
info@whaleyfoodservice.com

NORTH DAKOTA

GCS SERVICE INC.

MINNEAPOLIS, MN
(612) 546-4221
800-345-4221
FAX: (612) 546-4286

GENERAL PARTS, INC.

10 SOUTH 18TH STREET
FARGO, ND 58103
(701) 235-4161
(800) 279-9987
(701) 235-0539 FAX

OHIO

CERTIFIED SERVICE CENTER

890 REDNA TERRACE
CINCINNATI, OH 45215
(513) 772-6600
800-543-2060
FAX: (513) 612-6600
sbarasch@certifiedsc.com

CERTIFIED SERVICE CENTER

171J-K NORTH HAMILTON RD.
COLUMBUS, OH 43213
(614) 751-3769
(866) 862-1252
FAX: (614) 751-5792
jadkins@certifiedsc.com

CERTIFIED SERVICE CENTER

6025 N. DIXIE DRIVE
DAYTON, OH 45414
(937) 898-4040
(800) 257-2611
FAX: (937) 898-4177
dharvey@certifiedsc.com

**COMMERCIAL PARTS & SVC.
OF COLUMBUS**

5033 TRANSAMERICA DRIVE
COLUMBUS, OH 43228
(614) 221-0057
800-837-8327
FAX: (614) 221-3622

GCS SERVICE INC.

COLUMBUS, OH
(614) 476-3225
800-282-5406
FAX: (614) 476-1196

**ELECTRICAL APPLIANCE
REPAIR SVC.**

5805 VALLEY BELT ROAD
CLEVELAND, OH 44131
(216) 459-8700
800-621-8259
FAX: (216) 459-8707
tomr@electappprep.com

OKLAHOMA

HAGAR RESTAURANT EQMT.

1229 W MAIN STREET
OKLAHOMA CITY, OK 73106
(405) 235-2184
800-445-1791
FAX: (405) 236-5592

OREGON

RON'S SERVICE

16364 SW 72ND AVE
PORTLAND, OR 97224
(503) 624-0890
800-851-4118
FAX: (503) 684-6107
robinson@ronsservice.com

PENNSYLVANIA

**A.I.S. COMMERCIAL PARTS &
SERVICE**

1816 WEST 26TH STREET
ERIE, PA 16508
(814) 456-3732
800-332-3732
FAX: (814) 452-4843
aiserie@aol.com

ELMER SCHULTZ SVC.

540 NORTH 3RD STREET
PHILADELPHIA, PA 19123
(215) 627-5400
FAX: (215) 627-5408
elmer2@erols.com

GCS SERVICE INC.

PHILADELPHIA, PA
(215) 925-6217
800-441-9115
FAX: (215) 925-6208

GCS SERVICE INC.

HARRISBURG, PA
(717) 564-3282
800-367-3225
FAX: (717) 564-9286

GCS SERVICE INC.

PITTSBURGH, PA
(412) 787-1970
800-738-1221
FAX: (412) 787-5005

K & D PARTS AND SERVICE CO.

1833-41 N CAMERON STREET
HARRISBURG, PA 17103
(717) 236-9039
800-932-0503
FAX: (717) 238-4367
kdparts-service@paonline.com

CLARK SERVICE & PARTS

306 AIRPORT DRIVE
BOX 10
SMOKETOWN, PA 17576
(717) 392-5590
(717) 392-5735

MAINTENANCE & REPAIR CENTERS

RHODE ISLAND

GCS SERVICE INC.
EAST PROVIDENCE, RI
(401) 434-6803
800-462-6012
FAX: (401) 438-9400

SUPERIOR KITCHEN SERVICE INC.

669 ELMWOOD AVENUE
PROVIDENCE, RI 02907
(888) 590-1899
(401) 781-1996 FAX

SOUTH CAROLINA

**AUTHORIZED APPLIANCE
SERVICECENTER**
1811 TAYLOR ST.
COLUMBIA, SC 29202
(803) 254-8414
FAX: (803) 254-5146

AUTHORIZED APPLIANCE

SERVICECENTER
2249 AUGUSTA RD.
GREENVILLE, SC 29605
(864) 235-9616
FAX: (864) 235-9623

WHALEY FOODSERVICE REPAIRS

I 26&US1
P.O. BOX 4023
WEST COLUMBIA, SC 29170
(803) 791-4420
800-877-2662
FAX: (803) 794-4630
info@whaleyfoodservice.com

WHALEY FOODSERVICE REPAIRS

748 CONGAREE ROAD
GREENVILLE, SC 29607
(864) 234-7011
800-494-2539
FAX: (864) 234-6662
info@whaleyfoodservice.com

WHALEY FOODSERVICE REPAIRS

1406-C COMMERCE PL.
MYRTLE BEACH, SC 29577
(843) 626-1866
FAX: (843) 626-2632
info@whaleyfoodservice.com

WHALEY FOODSERVICE REPAIRS

4740-A FRANCHISE STREET
N. CHARLESTON, SC 29418
(843) 760-2110
FAX: (843) 760-2255
info@whaleyfoodservice.com

SOUTH DAKOTA

GCS SERVICE INC.
MINNEAPOLIS, MN
(612) 546-4221
800-345-4221
FAX: (612) 546-4286

GENERAL PARTS, INC.

10 SOUTH 18TH STREET
FARGO, ND 58103
(701) 235-4161
(800) 279-9987
(701) 235-0539 FAX

TENNESSEE

GCS SERVICE INC.
MEMPHIS, TN
(901) 366-4587
800-262-9155
FAX: (901) 366-4588

GCS SERVICE INC.

NASHVILLE, TN
(615) 244-8050
800-831-7174
FAX: (615) 244-8885

TEXAS

ARMSTRONG REPAIR CENTER

5110 GLENMOUNT DRIVE
HOUSTON, TX 77081
(713) 666-7100
800-392-5325
FAX: (713) 661-0520
gm@armstrongrepair.com

COMMERCIAL KITCHEN REPAIR CO.

1377 N BRAZOS
P.O BOX 831128
SAN ANTONIO, TX 78207
(210) 735-2811
800-292-2120
FAX: (210) 735-7421
brock@commercialkitchen.com

GCS SERVICE INC.

DALLAS, TX
(972) 484-2954
800-442-5026
FAX: (972) 484-2531

GCS SERVICE INC.

HOUSTON, TX
(713)785-9187
800-868-6957
FAX: (713) 785-3979

GCS/STOVE PARTS

2120 SOLANA STREET
FORT WORTH, TX 76117
(817) 831-0381
800-433-1804
FAX: (817) 834-7754
bud@stoveparts.com

UTAH

LA MONICA'S RESTAURANT

EQUIPMENT SVC.
6182 SOUTH STRATLER AVE.
MURRAY, UT 84107
(801) 263-3221
800-527-2561
FAX: (801) 263-3229
lamonica81@aol.com

VERMONT

NORTHERN PARTS & SVC.

4874 S. CATHERINE STREET
PLATTSBURGH, NY 12901
(518) 563-3200
800-634-5005
FAX: (800) 782-5424
info@northernparts.com

GCS SERVICE INC.

CHELSEA, MA
(617)889-9393
800-225-1155
FAX: (617) 889-1222

VIRGINIA

DAUBERS, INC.

7645 DYNATECH COURT
SPINGFIELD, VA 22153
(703) 866-3600
800-554-7788
FAX: (703) 866-4071
daubers@aol.com

GCS SERVICE INC.

SILVER SPRING, MD
(301) 585-7550(DC)
(410) 792-0388(BALT)
800-638-7278
FAX: (301)495-4410

GCS SERVICE INC.

RICHMOND, VA
(804) 672-1700
800-899-5949
FAX: (804) 672-2888

GCS SERVICE INC.

VIRGINIA BEACH, VA
(757) 464-3500
800-476-4278
FAX: (757) 464-4106

WASHINGTON

GCS SERVICE INC.

SEATTLE, WA
(206) 763-0353
800-211-4274
FAX: (206) 763-5943

**RESTAURANT APPLIANCE
SERVICE**

7219 ROOSEVELT WAY, NE
SEATTLE, WA 98115
(206) 524-8200
800-433-9390
FAX: (206) 525-2890
info@restappl.com

WEST VIRGINIA

STATEWIDE SERVICE, INC.

603 MAIN AVE.
NITRO, WV 25143
(304) 755-1811
(800) 441-9739
FAX: (304) 755-4001
sws3182@aol.com

WISCONSIN

**APPLIANCE SERVICE
CENTER, INC.**

2439 ATWOOD AVE
MADISON, WI 53704
(608) 246-3160
800-236-7440
FAX: (608) 246-2721
ascmad@execpc.com

**APPLIANCE SERVICE
CENTER, INC.**

6843 W. BELOIT RD.
WEST ALLIS, WI 53219
(414) 543-6460
800-236-6460
FAX: (414) 543-6480
ascmil@execpc.com

**APPLIANCE SERVICE
CENTER**

786 MORRIS AVE
GREEN BAY, WI 54304
(920) 496-9993
800-236-0871
FAX: (920) 496-9927
ascfox@execpc.com

MAINTENANCE & REPAIR CENTERS

GENERAL PARTS, INC.

W223 N735 SARATOGA DRIVE
WAUKESHA, WI 53186
(262) 650-6666
(800) 279-9946
(262) 650-6660 FAX

WYOMING

HAWKINS COMMERCIAL

APPLIANCE SERVICE

3000 S. WYANDOT ST.
ENGLEWOOD, CO 80110
(303) 781-5548
(800) 624-2117
FAX: (303) 761-5561
johns@hawkinscommercial.com

METRO APPLIANCE SERVICE

1640 S BROADWAY
DENVER, CO 80210
(303) 778-1126
800-525-3532
FAX: (303) 778-0268
metroappls@aol.com

INTERNATIONAL

GLOBAL PARTS AND SUPPLY

7758 NW 72ND ST
MIAMI, FL 33166
(305) 885-6353

H.D. SHELDON AND CO

19 UNION SQUARE, WEST
NEW YORK, NY 10003
(212) 627-1759
(212) 924-6920

CANADA

THE GARLAND GROUP

1177 KAMATO ROAD
MISSISSAUGA, ONTARIO L4W 1X4
(905) 206-8380
SALES
(905) 624-1419
FAX: (905) 624-1851
SERVICE
800-427-6668
FAX: 800-361-7745

Free Manuals Download Website

<http://myh66.com>

<http://usermanuals.us>

<http://www.somanuals.com>

<http://www.4manuals.cc>

<http://www.manual-lib.com>

<http://www.404manual.com>

<http://www.luxmanual.com>

<http://aubethermostatmanual.com>

Golf course search by state

<http://golfingnear.com>

Email search by domain

<http://emailbydomain.com>

Auto manuals search

<http://auto.somanuals.com>

TV manuals search

<http://tv.somanuals.com>