

opalia™ whirlpool bath and soaking bath

ops—the roman goddess of abundance. opalia—the day to celebrate life's bounty: beauty, luxury, wealth of all kinds.



The Opalia™ whirlpool bath. Celebrate life, renewal honor indulgence here.

features:

- 4 fully adjustable TheraPro™ jets
- 2 directionally adjustable AccuPro™ jets
- Sculpted armrest and contoured backrest
- Electronic on/off controls
- Drain included on whirlpool baths

opalia™ whirlpool bath

model number: BN00 (RH pump),
BN05 – (LH pump)

exterior dimensions:
72" long x 44" wide x 22¼" high

interior dimensions (at bottom):
47" long x 28" wide

of Jets/type of Jets:
4 TheraPro™ Jets
2 AccuPro™ Back Jets

operating gallons:
70 gallons



opalia™ soaking bath

model number: 9635

exterior dimensions:
72" long x 44" wide x 22¼" high

interior dimensions:
47" long x 28" wide

Detail: The Opalia™ whirlpool bath features deep dimensions—for deepest relaxation—and classic detailing appropriate for most any décor.





Opalia™ Whirlpool Bath

Model: BN00, BN05

Opalia™ Bath

Model: 9635

Ordering Information

Product Code:

- BN05 Opalia™ Whirlpool Bath Left Hand
- BN00 Opalia™ Whirlpool Bath Right Hand
- 9635 Opalia™ Bath

- Center Drain Location
- Accessories / Hardware:
 - Trip-Lever Drain Kit #X559
 - Rotary Drain Kit, 26" Cable #8730
 - Trim Kit: 2 BMH Jet Rings #J869
 - Trim kit: 4 HTC Jet Rings #D095
- Trim Kit Finishes Available:
 - (827) - Chrome
 - (898) - Brushed Chrome
 - (815) - Satin Nickel
 - (829) - Bright Brass
 - (805) - Platinum
 - (826) - Brushed Nickel
 - (849) - Oil Rubbed Bronze

Installation Notes

Refer to installation instructions included with fixture before beginning installation. Please confirm product availability and specifications before commencing with any installation work.

PRODUCT SPECIFICATIONS AND AVAILABILITY ARE SUBJECT TO CHANGE WITHOUT NOTICE.

Electrical Components and Electrical Specifications do not apply to non-jetted baths.

Technical Specifications

Dimensions

72" L x 44" W x 22-1/4" H
(1829 mm) L x (1118 mm) W x (565 mm) H

Drain/Overflow

A: 18-3/4" (476 mm) B: 12" (305 mm)

Cutout

Template Provided P/N P186000

Total Weight

BN00: 978 lb (445 kg) / 45 lb/sq. ft. (217 kg/m²)
BN05: 945 lb (429 kg) / 45 lb/sq. ft. (217 kg/m²)
9635: 945 lb (429 kg) / 43 lb/sq. ft. (210 kg/m²)

Operating Gallonage

70 U.S. Gal. (265 Liters)

Product Weight

BN00, BN05: 145 lb (66 kg)
9635: 112 lb (51 kg)

Skirt Mounting

Not Available

Electrical Specifications Models BN00, BN05 only

Requires a dedicated GFCI protected separate circuit.

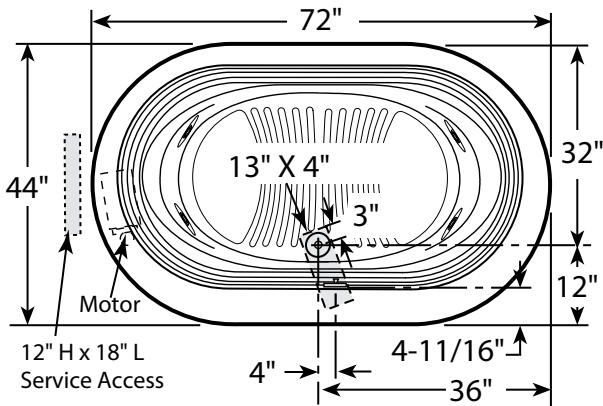
Motor/Pump: 120 VAC, 15 AMP, 60 Hz.

RapidHeat™: 120 VAC, 15 AMP, 60 Hz.

Heater (Optional) Models BN00, BN05 only

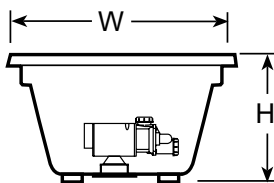
Requires a dedicated GFCI protected separate circuit.

RapidHeat™: P/N S750000

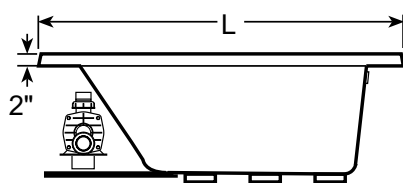


Product Shown: Opalia™ Whirlpool Bath Left Hand Shown Model: BN05

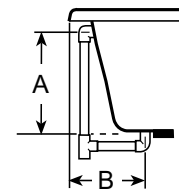
* Measurements inside unit represent cutout in floor to allow for drain/overflow.



END VIEW



SIDE VIEW



DRAIN/OVERFLOW

Free Manuals Download Website

<http://myh66.com>

<http://usermanuals.us>

<http://www.somanuals.com>

<http://www.4manuals.cc>

<http://www.manual-lib.com>

<http://www.404manual.com>

<http://www.luxmanual.com>

<http://aubethermostatmanual.com>

Golf course search by state

<http://golfingnear.com>

Email search by domain

<http://emailbydomain.com>

Auto manuals search

<http://auto.somanuals.com>

TV manuals search

<http://tv.somanuals.com>