

luna® whirlpool bath and soaking bath

on crystal-clear nights, the romans worshipped luna—goddess of the moon. feel a bit worshipped yourself in our luna™ whirlpool.



The Luna® whirlpool bath surrounds you bathes you in the warmth of a thousand balmy summer nights. And Luna's simple styling meets the mood of most any décor with ease. So, turn down the lights, relax and revitalize.

whirlpool bath features:

- 4 Fully adjustable PowerPro® jets
- Exclusive Tru-Level™ base system
- 2 directionally adjustable AccuPro™ neck jets
- Drain included on whirlpool baths

luna® whirlpool bath

model number: BF75-RH, EK75-LH

exterior dimensions:

72" long x 42" wide x 23" high

interior dimensions:

41" long x 21" wide

of Jets/type of Jets:

4 TheraPro™ Jets,
2 AccuPro™ Jets

operating gallons:

96 gallons

luna® soaking bath

model number: ES75

exterior dimensions:

72" long x 42" wide x 23" high

interior dimensions:

41" long x 21" wide



Detail: The Luna® whirlpool bath's simple, oval shape is augmented by charming, classic detailing. Perfectly positioned, Jacuzzi's exclusive TheraPro™ jets collaborate with the contours of the tub to create the buoyancy that is the basis of hydrotherapy.





Luna® Whirlpool Bath

Model: BF75, EK75

Luna® Bath

Model: ES75

Ordering Information

Product Code:

BF75 Luna® Whirlpool Bath
Right Hand

EK75 Luna® Whirlpool Bath
Left Hand

ES75 Luna® Bath

• Left and Right Hand Drain Location

• Accessories / Hardware:

Trip-Lever Drain Kit: #X559

Rotary Drain Kit, 26" Cable: #8730

TheraPro™ Jet Rings Kit: #D095

AccuPro™ Jet Rings Kit: #P556

RapidHeat™ Heater: #S750

• Trim Kit Finishes Available:

(827) - Chrome

(898) - Brushed Chrome

(815) - Satin Nickel

(829) - Bright Brass

(805) - Platinum

(826) - Brushed Nickel

(845) - Oil Rubbed Bronze

Installation Notes

Refer to installation instructions included with fixture before beginning installation. Please confirm product availability and specifications before commencing with any installation work.

PRODUCT SPECIFICATIONS AND AVAILABILITY ARE SUBJECT TO CHANGE WITHOUT NOTICE.

Technical Specifications

Dimensions

72" L x 42" W x 23" H
(1829 mm) L x (1118 mm) W x (584 mm) H

Drain/Overflow

A: 19-1/8" (486 mm) B: 11" (279 mm)

Cutout

Template Provided: P/N P819000

Total Weight

BF75, EK75: 1221 lb (554 kg) / 58 lb/ft² (283 kg/m²)
ES75: 1219 lb (554 kg) / 64 lb/ft² (313 kg/m²)

Operating Gallonage

96 U.S. Gal. (364 Liters)
BF75, EK75: Min. 55 U.S. Gal. (208 Liters)
Max. 103 U.S. Gal. (390 Liters)

Product Weight

BF75, EK75: 121 lb (55 kg)
ES75: 64 lb (29 kg)

Skirt Mounting

Not Available

Electrical Specifications Models BF75, EK75 only

Requires a dedicated GFCI protected separate unit.

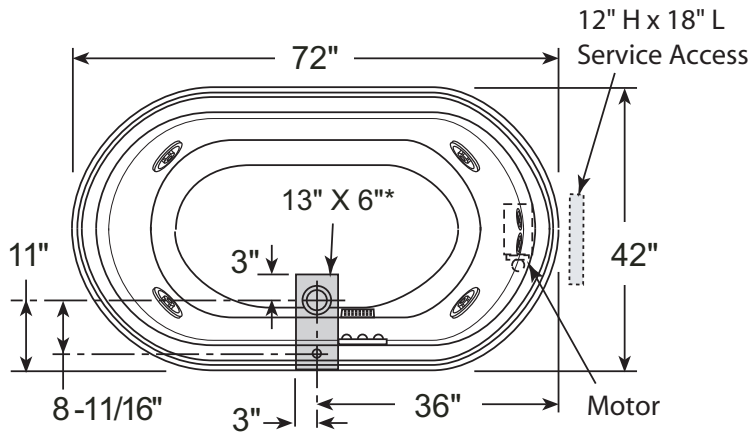
Motor/Pump: 120 VAC, 15 AMP, 60 Hz.

RapidHeat™: 120 VAC, 15 AMP, 60 Hz.

Heater (Optional) Models BF75, EK75 only

Requires a dedicated GFCI protected separate unit.

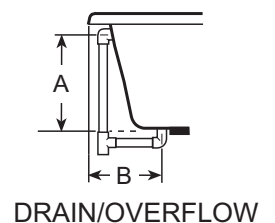
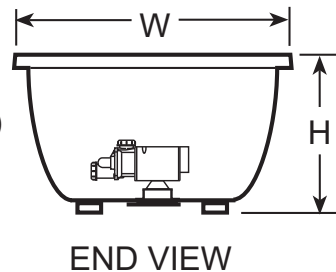
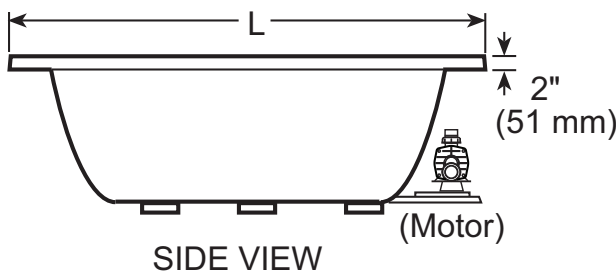
RapidHeat™: P/N S750000



Product Shown: Luna® Whirlpool Bath Right Hand Shown Model: BF75

* Measurements inside unit represent cutout in floor to allow for drain/overflow.

Minimum Service Access dimensions given.



Free Manuals Download Website

<http://myh66.com>

<http://usermanuals.us>

<http://www.somanuals.com>

<http://www.4manuals.cc>

<http://www.manual-lib.com>

<http://www.404manual.com>

<http://www.luxmanual.com>

<http://aubethermostatmanual.com>

Golf course search by state

<http://golfingnear.com>

Email search by domain

<http://emailbydomain.com>

Auto manuals search

<http://auto.somanuals.com>

TV manuals search

<http://tv.somanuals.com>