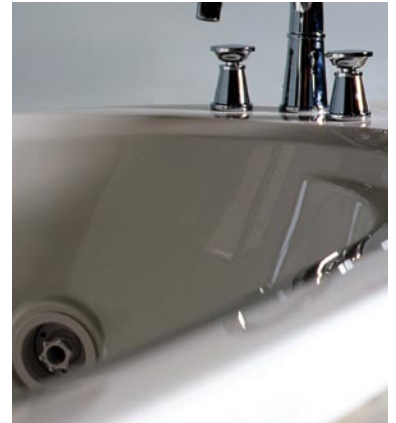


tara™ plus whirlpool bath

like the fabled Irish tower of kings that shares its name, the tara™ plus whirlpool bath is itself a singularly regal experience in an everyday world.



Cozy up to the Tara™ plus whirlpool bath's corner configuration and linger as you massage away the cares of the day.

features:

- 4 fully adjustable TheraPro™ jets
- 5 directionally adjustable AccuPro™ jets
- RapidHeat™ in-line heater
- Electronic on/off control with temperature readout
- Air flow adjustability
- Chromatherapy underwater lighting
- Built-in tile flange and integral skirt with access panels on skirted model
- PrO3™ Ozone Sanitation System standard

tara™ plus whirlpool bath

model number: BR05 - RH, DB83 - LH

exterior dimensions:

60" long x 60" wide x 20¾" high

interior dimensions (at bottom):

45" long x 40" wide

of Jets/type of Jets:

4 TheraPro™ Jets,
4 AccuPro™ Back Jets,
1 AccuPro™ Foot Jet

operating gallons:

61-87 gallons

Detail: The Tara™ whirlpool bath places Jacuzzi's Magic Touch® controls right in reach. Perfectly positioned AccuPro™ jets massage away cares as you recline against Tara's backrest.





Tara™ Plus Whirlpool Bath

Model: BR05, DB83

Ordering Information

Product Code:
 BR05 Tara™ Plus Whirlpool Bath
 Right Hand
 DB83 Tara™ Plus Whirlpool Bath
 Left Hand

- Center Drain Location
- Accessories / Hardware:
 - Trip-Lever Drain Kit #X559
 - Rotary Drain Kit, 26" Cable #8730
 - HTC Jet Trim Kit: #D095
 - BMH Jet Trim Kit (3 Req'd): #J869
- Trim Kit Finishes Available:
 - (827) - Chrome
 - (898) - Brushed Chrome
 - (815) - Satin Nickel
 - (829) - Bright Brass
 - (805) - Platinum
 - (826) - Brushed Nickel
 - (845) - Oil Rubbed Bronze

Installation Notes

Refer to installation instructions included with fixture before beginning installation. Please confirm product availability and specifications before commencing with any installation work.

PRODUCT SPECIFICATIONS AND AVAILABILITY ARE SUBJECT TO CHANGE WITHOUT NOTICE.

Technical Specifications

Dimensions

60" L x 60" L x 20-3/4" H
 (1524 mm) L x (1524 mm) L x (527 mm) H

Drain/Overflow

A: 16" (406 mm) B: 12-3/8" (314 mm)

Cutout

See Illustration Below

Total Weight

984 lb (446 kg) / 39 lb/sq. ft. (192 kg/m²)

Operating Gallonage

Min. 61 U.S. Gal. (231 Liters)
 Max. 87 U.S. Gal. (329 Liters)

Product Weight

118 lb (54 kg)

Skirt Mounting

Optional

Electrical Specifications

Requires a dedicated GFCI protected separate circuit.

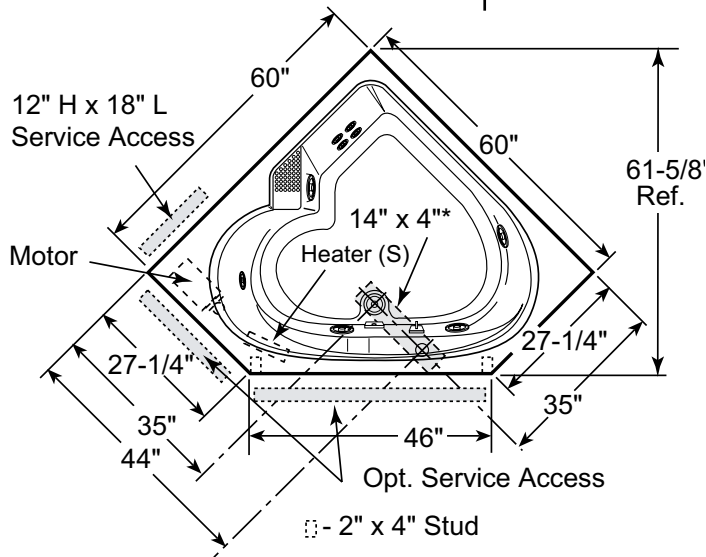
Motor/Pump: 120 VAC, 15 AMP, 60 Hz.

RapidHeat™: 120 VAC, 15 AMP, 60 Hz.

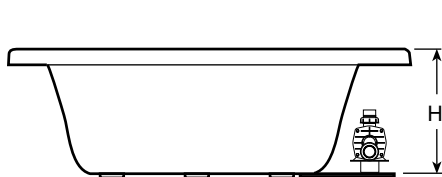
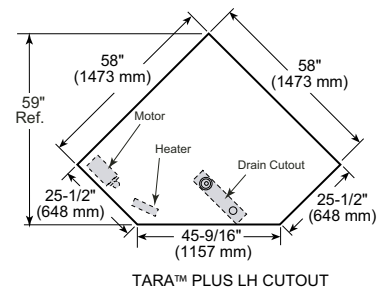
Heater (Standard)

Requires a dedicated GFCI protected separate circuit.

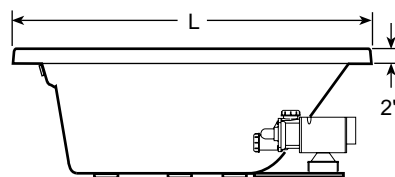
RapidHeat™: P/N S750000



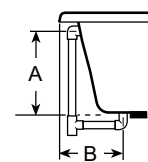
Product Shown: Tara™ Left Hand Motor Plus Whirlpool Bath LH Model: DB83
 * Measurements inside unit represent cutout in floor to allow for drain/overflow.
 Minimum Service Access dimensions given.



SIDE VIEW



END VIEW



DRAIN/OVERFLOW

Free Manuals Download Website

<http://myh66.com>

<http://usermanuals.us>

<http://www.somanuals.com>

<http://www.4manuals.cc>

<http://www.manual-lib.com>

<http://www.404manual.com>

<http://www.luxmanual.com>

<http://aubethermostatmanual.com>

Golf course search by state

<http://golfingnear.com>

Email search by domain

<http://emailbydomain.com>

Auto manuals search

<http://auto.somanuals.com>

TV manuals search

<http://tv.somanuals.com>