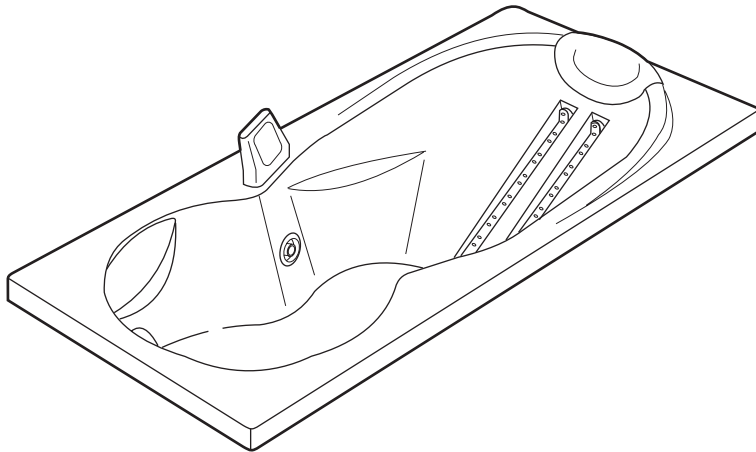


# J-SHA™ II

## Whirlpool Bath Installation / Operating Instructions



# **IMPORTANT SAFETY INSTRUCTIONS**

## **READ AND FOLLOW ALL INSTRUCTIONS**

### **SAVE THESE INSTRUCTIONS**

WARNING: RISK OF ACCIDENTAL INJURY OR DROWNING; CHILDREN SHOULD NOT USE HYDROMASSAGE BATHTUB WITHOUT ADULT SUPERVISION.

WARNING : TO AVOID INJURY, EXERCISE CAUTION WHEN ENTERING OR EXITING THE HYDROMASSAGE BATHTUB

WARNING: RISK OF ACCIDENTAL INJURY OR DROWNING; DO NOT USE HYDROMASSAGE BATHTUB UNLESS ALL SUCTION GUARDS ARE INSTALLED TO PREVENT BODY AND HAIR ENTRAPMENT.

WARNING: KEEP BODY AND HAIR A MINIMUM OF 6" AWAY FROM SUCTION FITTING AT ALL TIMES WHEN THE WHIRLPOOL SYSTEM IS OPERATING. HAIR LONGER THAN SHOULDER LENGTH SHOULD BE SECURED CLOSE TO THE HEAD.

WARNING: RISK OF ELECTRICAL SHOCK; DO NOT PERMIT ELECTRICAL APPLIANCES (SUCH AS HAIR DRYER, LAMP, TELEPHONE, RADIO OR TELEVISION) WITHIN 60" (1.5 M) OF THIS HYDROMASSAGE BATHTUB.

WARNING: RISK OF ACCIDENTAL INJURY OR DROWNING; DO NOT USE DRUGS OR ALCOHOL BEFORE OR DURING THE USE OF HYDROMASSAGE BATHTUB EQUIPPED WITH A HEATER TO AVOID UNCONSCIOUSNESS AND POSSIBLE DROWNING.

WARNING: RISK OF FETAL INJURY; PREGNANT OR POSSIBLY PREGNANT WOMEN SHOULD CONSULT A PHYSICIAN BEFORE USING A HYDROMASSAGE BATHTUB EQUIPPED WITH A HEATER.

WARNING: RISK OF HYPERTHERMIA AND POSSIBLE DROWNING; DO NOT USE A HYDROMASSAGE BATHTUB EQUIPPED WITH A HEATER IMMEDIATELY FOLLOWING STRENUOUS EXERCISE.

CAUTION; TEST THE GROUND FAULT CIRCUIT INTERRUPTER PROTECTING THIS APPLIANCE PERIODICALLY IN ACCORDANCE WITH MANUFACTURER'S INSTRUCTIONS.

WARNING: RISK OF HYPERTHERMIA AND POSSIBLE DROWNING; WATER TEMPERATURE IN EXCESS OF 100°F (38° C) MAY BE INJURIOUS TO YOUR HEALTH. CHECK AND ADJUST WATER TEMPERATURE BEFORE USE.

WARNING: RISK OF HYPERTHERMIA; PEOPLE USING MEDICATIONS AND/OR HAVING AN ADVERSE MEDICAL HISTORY SHOULD CONSULT A PHYSICIAN BEFORE USING A HYRDOMASSAGE BATHTUB EQUIPPED WITH A HEATER.

AN EQUIPMENT GROUNDING TERMINAL IS PROVIDED IN THE FIELD WIRING COMPARTMENT. TO REDUCE THE RISK OF ELECTRICAL SHOCK, THIS TERMINAL MUST BE CONNECTED TO THE GROUNDING MEANS PROVIDED IN THE ELECTRICAL SUPPLY PANEL WITH A CONNECTOR EQUIVALENT IN SIZE TO THE CIRCUIT CONNECTORS SUPPLYING THIS EQUIPMENT.

## PRECAUTIONS

Do not operate the whirlpool system unless the bath is filled with water to at least 2" above the highest jet.

Never drop or insert any object into any opening.

Do not use oil-based bath additives in your whirlpool bath.

When cleaning your bath, do not use abrasive substances which will damage the bath's surface.

To prevent discoloration of the acrylic finish, do not fill the bath with water in excess of 140°F (60°C).

The whirlpool system should be purged at least twice a month. For your convenience, we have developed a plumbing system cleaner (Systems Clean™) specifically for whirlpool baths. For availability call 1-800-288-4002.

Use this unit only for its intended purpose as described in this manual. Do not use attachments not recommended by the manufacturer.

This unit must be connected only to a supply circuit that is protected by a ground fault circuit interrupter (GFCI). Such a GFCI should be provided by the installer and should be tested on a routine basis. To test the GFCI, push the test button. The GFCI should interrupt power. Push the reset button. Power should be restored. If the GFCI fails to operate in this manner, there is a ground current flowing, indicating a possibility of an electric shock. Do not use this unit. Disconnect the unit and have the problem corrected by a qualified electrician before using.

A pressure wire connector is provided on the exterior of the motor to permit connection of an No. 8 AWG (8.4 mm) solid copper bonding conductor between this unit and all other electric equipment and exposed metal in the vicinity, as needed to comply with local requirements.

This unit should be installed by a licensed electrician and grounded.

For built-in and drop-in units, install to permit access for servicing.

**Note: This is a professional grade product. A knowledge of construction techniques, plumbing and electrical installation according to codes are required for proper installation and user satisfaction. We recommend that a licensed contractor perform the installation of all Jacuzzi Whirlpool Bath products. Our warranty does not cover improper installation related problems.**

# Contents

|                                     |       |
|-------------------------------------|-------|
| Specifications _____                | 1     |
| Framing and Support _____           | 2     |
| Rough-in Reference _____            | 2     |
| Electrical and Service Access _____ | 3     |
| Drain Information _____             | 4     |
| Plumbing and Water Supply _____     | 5     |
| Water Level Sensor _____            | 6     |
| Rapid Heat™ Operation _____         | 6     |
| Operation _____                     | 7-11  |
| Maintenance _____                   | 12-13 |
| Warranty _____                      | 15-16 |

## **Important: Read complete instructions before beginning installation.**

Each whirlpool bath arrives ready for installation, completely equipped with motor/pump assembly and plumbing and fittings necessary for whirlpool operation. The drain/overflow kit must be installed on the bath.

Remove the bath from the carton. Retain the shipping carton until satisfactory inspection of the product has been made. **Do not lift the bath by the plumbing at any time; handle by the shell or frame only.**

Immediately upon receipt, inspect the shell before installing. Should inspection reveal any damage or defect in the finish, do not install the bath. Damage or defect to the finish claimed after the bath is installed is excluded from the warranty. Jacuzzi Whirlpool Bath's responsibility for shipping damage ceases upon delivery of the products in good order to the carrier. Refer any claims for damage to the carrier. For definitions of warranty coverage and limitations, refer to the warranty information.

All bath units are factory tested for proper operation and watertight connections prior to shipping. **Note: Prior to installation, the bath must be filled to the overflow with water and operated to check for leaks that may have resulted from shipping damage or mishandling.** Jacuzzi Whirlpool Bath is not responsible for any defect that could have been discovered, repaired, or avoided by following this inspection and testing procedure.

## **Save These Instructions for Future Use.**

### ***Owner's Record***

Date Purchased \_\_\_\_\_

Purchased From \_\_\_\_\_

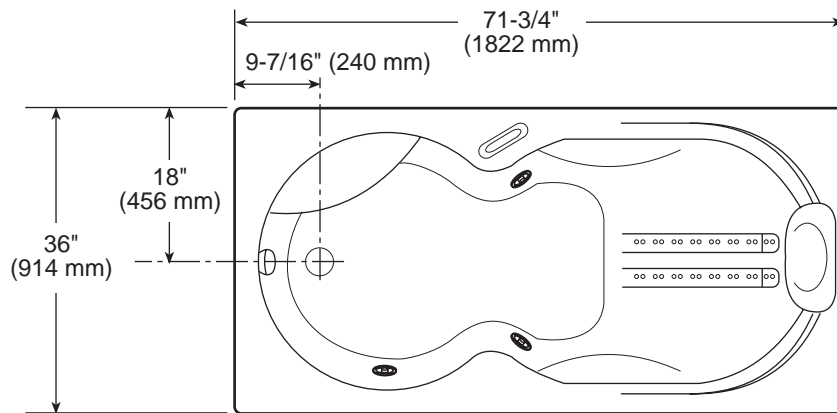
Installed By \_\_\_\_\_

Serial Number \_\_\_\_\_

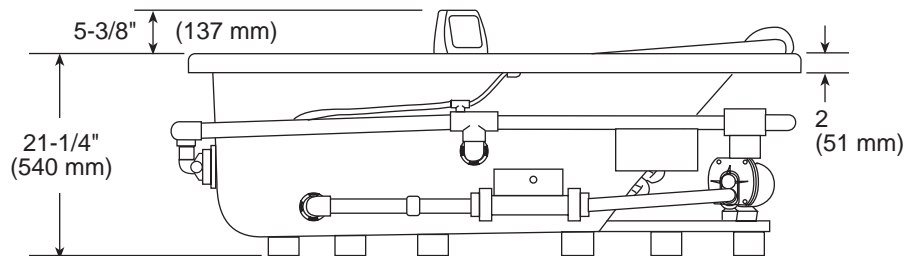
# J-Sha II Owner's Manual

## Specifications

| DIMENSIONS  | MOTOR/PUMP                        | FLOOR LOADING                   | OPERATING GALLONAGE         | PRODUCT WEIGHT    | RAPIDHEAT ELECTRICAL REQUIREMENTS                                    | BATH ELECTRICAL REQUIREMENTS   |
|---|-----------------------------------|---------------------------------|-----------------------------|-------------------|--|--|
| 71-3/4" (1822 mm) L<br>36" (914 mm) W<br>21-1/4" (546 mm) H | 115 VAC<br>Single phase<br>60 Hz. | 47 lb/sq. ft.<br>(229 kg/sq. m) | 72 U.S. gal<br>(273 liters) | 125 lb<br>(57 kg) | 115 VAC 60 Hz.<br>15 Amp<br>Single Phase<br>(Must be GFCI Protected) | 115 VAC 60 Hz.<br>20 Amp<br>Single Phase<br>(Must be GFCI Protected) |



TOP VIEW



SIDE VIEW

PRODUCT SPECIFICATIONS ARE SUBJECT TO CHANGE WITHOUT NOTICE.

# J-Sha II Owner's Manual

## Framing and Support

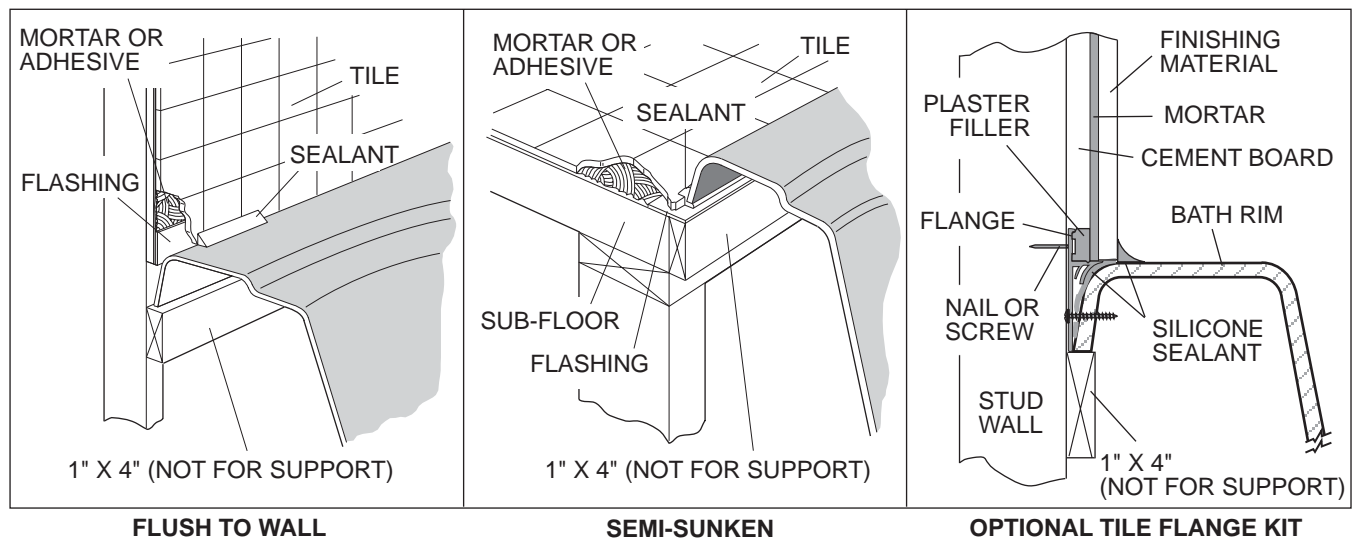
The floor structure beneath the bath must be able to support a total weight of bath, water, and bather.

If the subfloor is level, no other preparation is necessary. You can proceed to install the bath. If the subfloor is not level, you **MUST** level the entire surface prior to installing the bath. Use a floor leveling compound. Do **not** use mortar, plaster or minimal expansion structural foam to set the bath as this will interfere with bath components on the bottom of the bath. Both sides of a joint or splice of subfloor should be level to each other.

The rim of the bath is not designed to support weight. If finish material is to overlap or contact the bath, the added weight must be fully self-supporting.

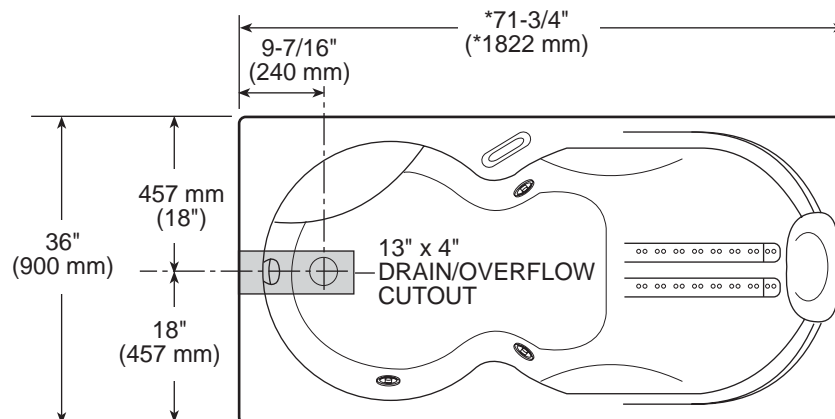
The protective film liner inside the bath is used to prevent damage to the finish from shoes, tools, etc. during installation. Before installation, remove liner to inspect for any defects, reapply and do not remove until final cleanup.

## TYPICAL INSTALLATIONS



## Rough-in Reference

The drain requires a cutout in the floor.



\* Add  $\frac{1}{4}$ " (6 mm) to this dimension when roughing-in for 3 wall niche.  
For semi-sunken installations, floor cutout is  $69\frac{3}{4}$ " x 34" (1772 mm x 864 mm).

# J-Sha II Owner's Manual

## Electrical Connections

Two separate circuits are required for this unit:

1. Whirlpool bath controller.
2. Rapid Heat.

### 1. J-Sha II

Install a 120 VAC 20 AMP dedicated circuit protected by a Ground Fault Circuit Interrupter (GFCI).

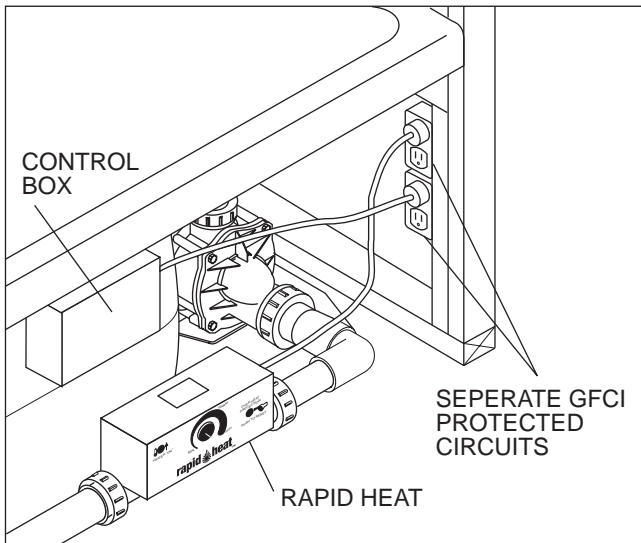
**DANGER: RISK OF ELECTRIC SHOCK. Connect only to a circuit protected by a Ground Fault Circuit Interrupter.**

### 2. Rapid Heat

Install a 120 VAC 15 AMP dedicated circuit with GFCI protection. For operation, refer to the RapidHeat instructions.

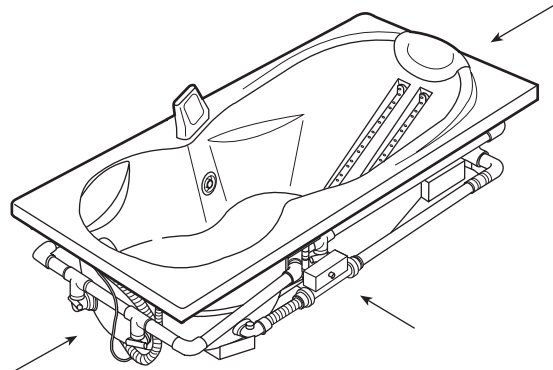
**DANGER: RISK OF ELECTRIC SHOCK. Connect only to a circuit protected by a Ground Fault Circuit Interrupter.**

## ELECTRICAL CONNECTION



## Service Access

For partially or fully sunken installations, allow for service access as shown. It is the installer's responsibility to provide sufficient service access. Provide adequate ventilation to cool the motor and to supply sufficient air for the jets.

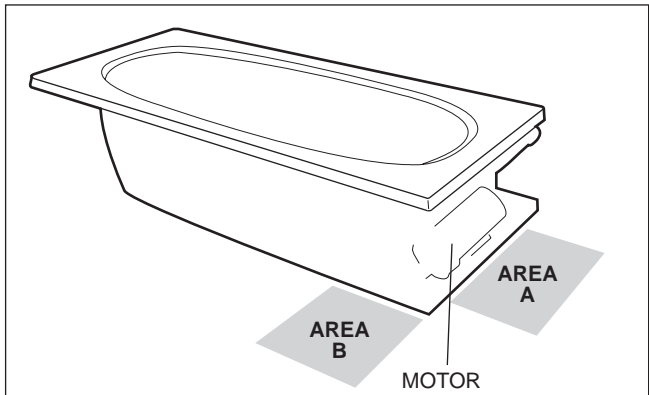


PROVIDE SERVICE ACCESS TO THE THREE SIDES AS SHOWN

In some cases, access may not have been provided because of the design of the bath environment and having full understanding that in this case, it may be necessary to remove the unit for service.

If this is the case, diagnosing a problem may not be possible without complete access to the plumbing system. This would necessitate the removal of the unit. Although this practice is not commonly implemented, it is an acceptable method.

## SERVICE ACCESS



In some cases access may have been provided in Area A but service is required in Area B which requires the unit to be pulled for service and reinstalled.

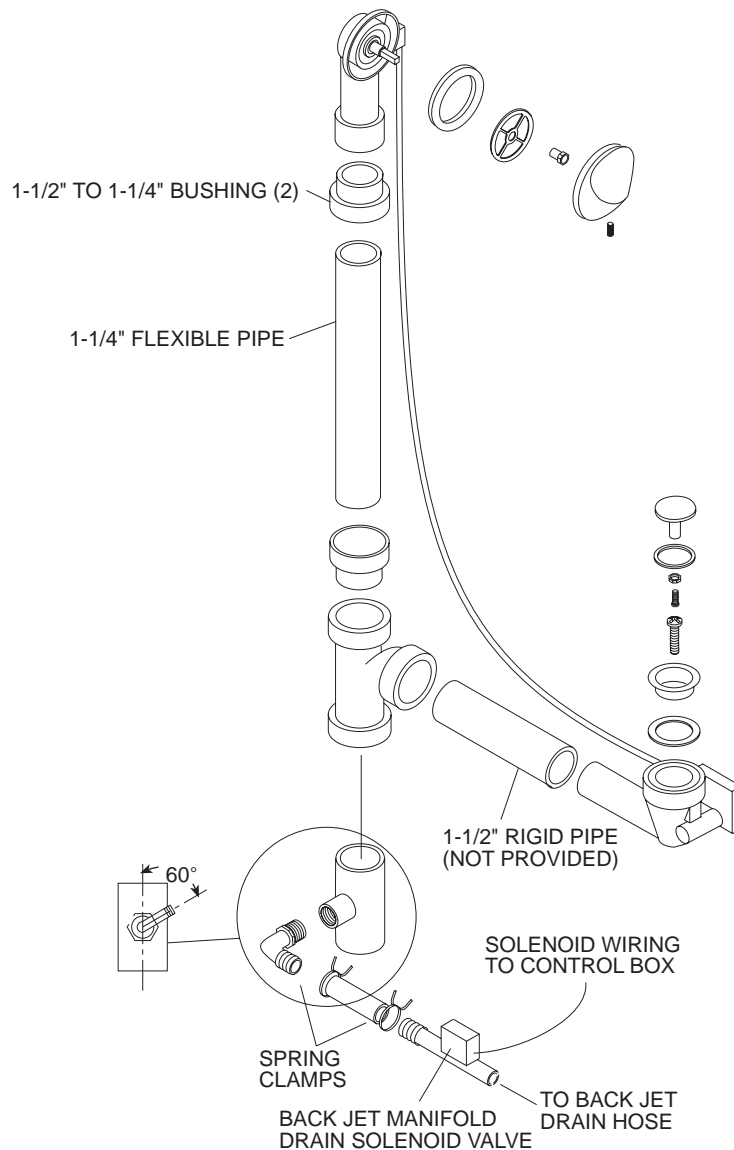
**If service access has not been provided, it is the home owners responsibility to remove the bath and provide the required access, should a repair become necessary.**

# J-Sha II Owner's Manual

## Drain Information

A drain/overflow assembly must be installed on the bath, water tested, and connected to the sanitary system of the house. After opening the carton, inspect for damage. A solvent weld type drain is included and must be installed as shown. The drain solenoid wiring plug must be connected to the control box prior to drain/overflow assembly. The plug position (Drain Solenid) is shown on the control box. It is recommended that the tail pipe be installed on the drain before the drain/overflow is installed on the bath. Hand tighten and then use a wrench to tighten until the tail pipe does not turn. Follow the installation instructions provided with the drain/overflow kit to install the drain/overflow assembly. Note: the bath must be propped up due to the length of the tail pipe.

**NOTE: Watertight installation of the drain is the installer's responsibility. Drain leakage is excluded from the Jacuzzi Whirlpool Bath warranty of this product.**



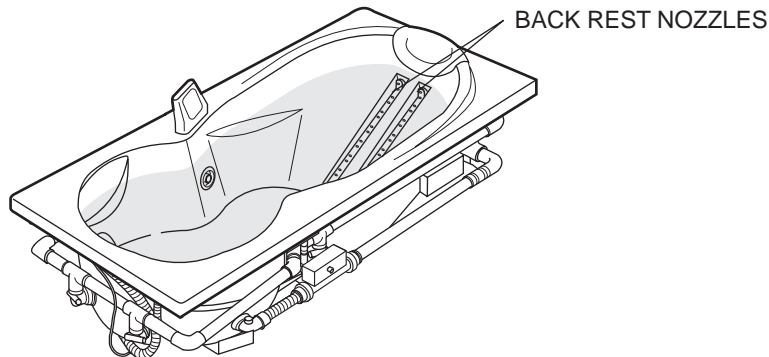


# J-Sha II Owner's Manual

## Plumbing

Pump, jets, and suction fittings for the whirlpool system are factory plumbed in a combination of metric and schedule 40 PVC piping. All Jacuzzi Whirlpool Bath products are factory tested for proper operation and watertight connections prior to shipping.

Before securing the bath to the floor, a test should be made for possible water leaks. Fill the bath until the nozzles on the back rest are covered. If leaks are detected, notify your Jacuzzi Whirlpool Bath Dealer. Do not install the unit.

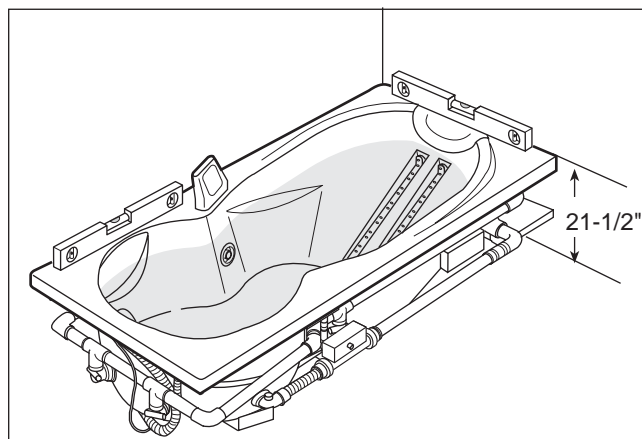


## Water Supply

Consult local authorities for plumbing code requirements in your area.

**IMPORTANT:** Proper installation of the fill spout plumbing and compliance with local codes are the responsibility of the installer. Jacuzzi Whirlpool Bath does not warrant connections of water supply fittings and piping, fill systems, or drain/overflow systems. Nor is it responsible for damage to the bath which occurs during installation.

**CAUTION:** A nonflammable protective barrier must be placed between soldering work and bath unit to prevent damage to the bath.

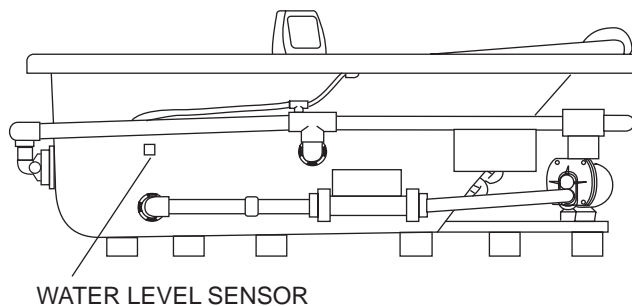


# J-Sha II Owner's Manual

---

## WATER LEVEL SENSOR

The bath is equipped with a water level sensor. When the water level is **below** the sensor, the pump/motor can **not** be activated. When the water goes above the level sensor, the pump/motor can then be activated. If the water level drops below the level sensor, the pump/motor will shut **off**. To restart the pump/motor after the water level goes above the level sensor, the ON/OFF button must be pressed.



## RAPIDHEAT

### Operation

Once the heater is installed and the whirlpool pump is operating, the heating function is totally automatic. The heater will help maintain the temperature of the water in the bath.

### Vacuum Switch

The heater is equipped with a preset vacuum switch which will not allow the heater to turn ON if the pump is not running with water flowing through the whirlpool system.

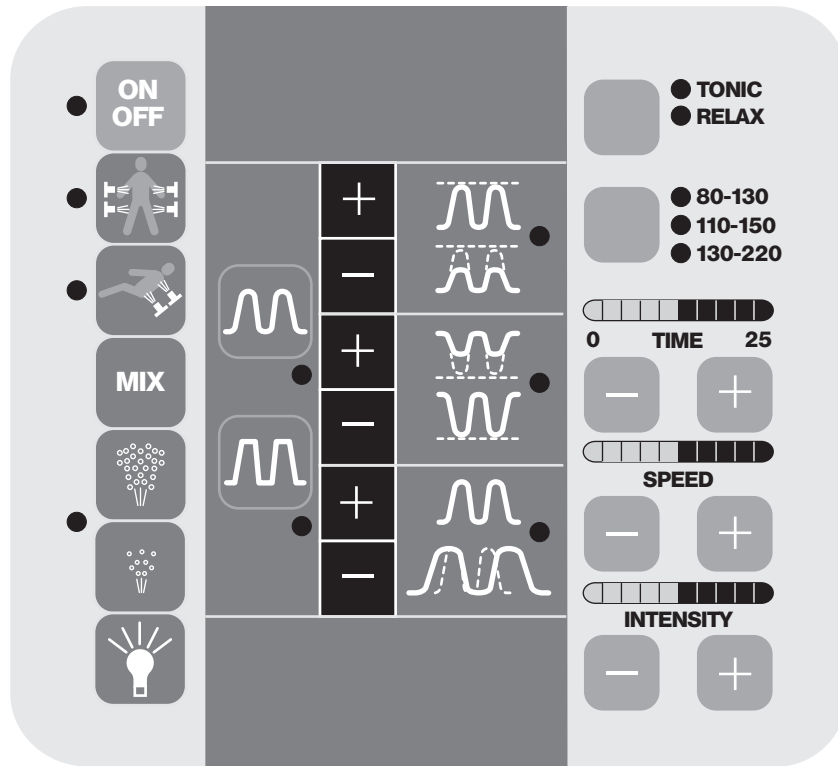
### High-Limit Switch

The heater includes an exclusive High-Limit switch. This safety circuit will not false trip from hot tap water. It will only turn off the heater if the thermostat fails. To reset, press the button. If the high-limit trips frequently, contact your dealer.

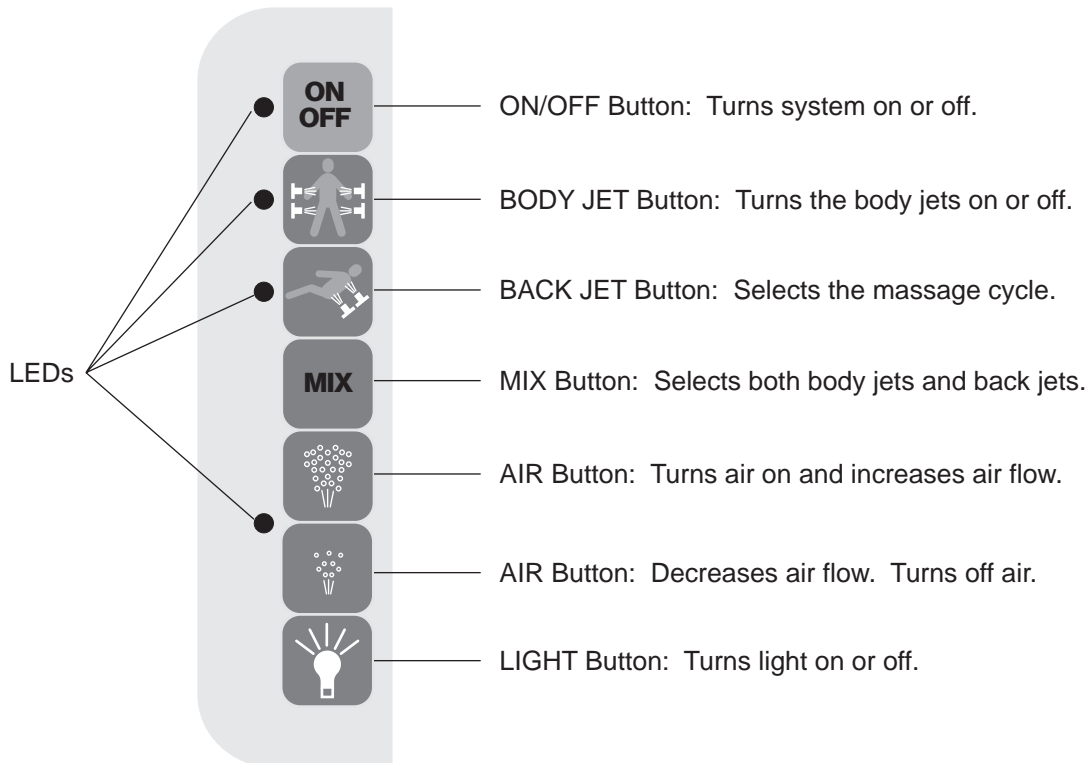
# J-Sha II Owner's Manual

## Operation

### Control Panel

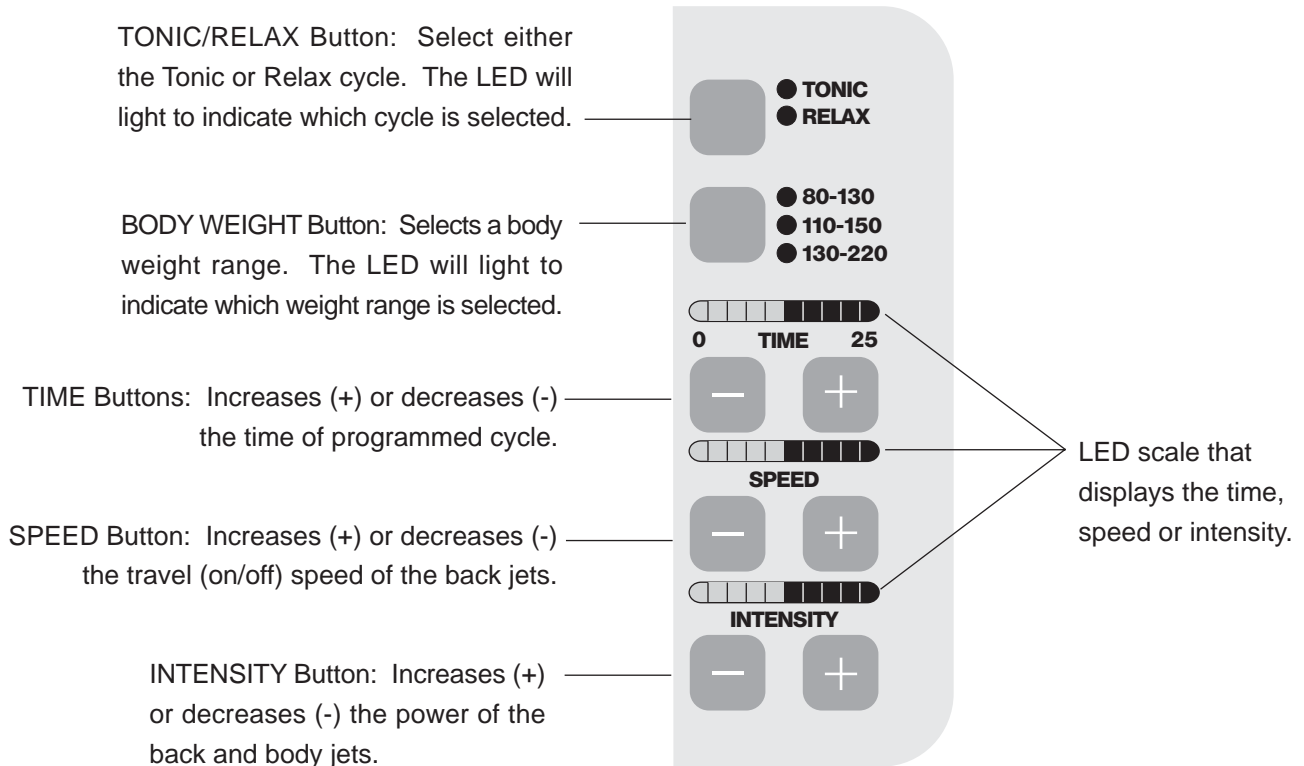
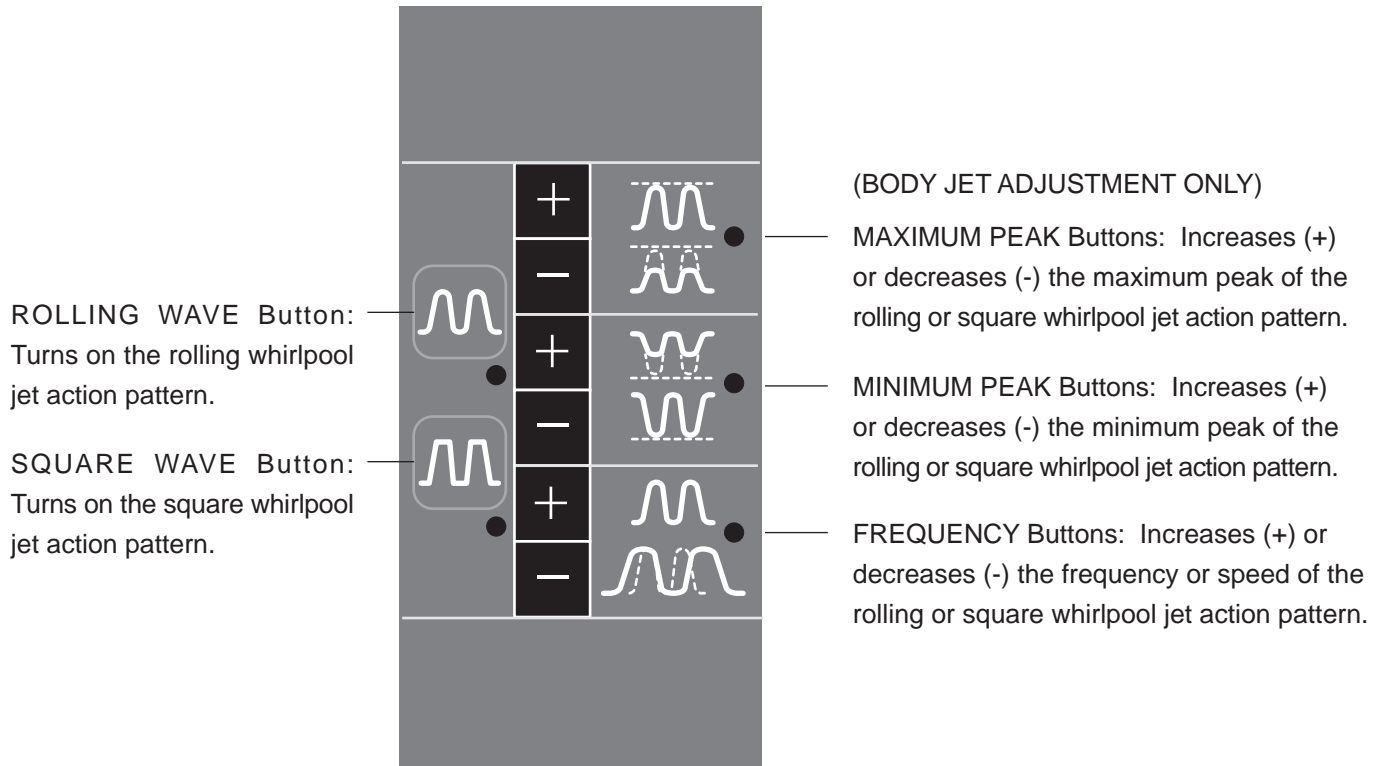


### Control Panel Functions



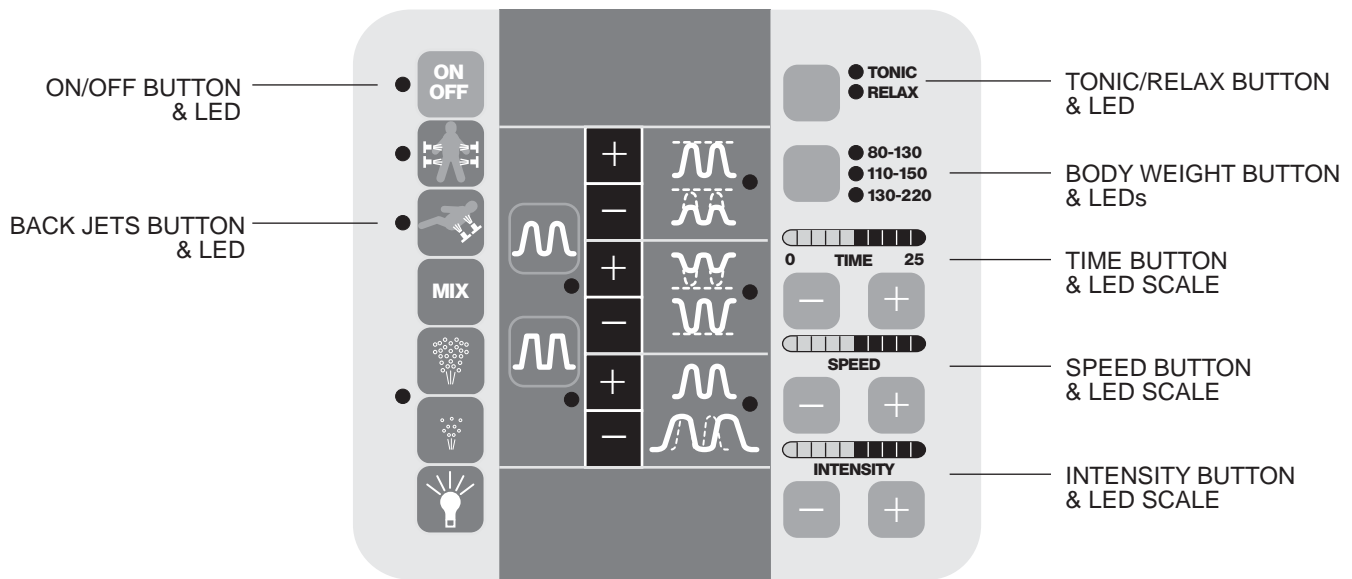
# J-Sha II Owner's Manual

## Control Panel Functions



# J-Sha II Owner's Manual

## START UP BACK JETS



### START UP

Press ON/OFF button.

On start-up the J-Sha II will be in the default mode:  
 BACK JET LED lights up. Back jets operate after about 2 seconds.  
 The TONIC indicator will be on. The flow from the jets is from the bottom upward.  
 BODY WEIGHT of 110-150 LED will be on.  
 DURATION, SPEED and INTENSITY relative indicators will be on.

The DURATION, SPEED and POWER of the back jets have been preprogrammed for each body weight range.  
 The duration for 80-130 lbs. is 15 minutes, 110-150 lbs. is 18 minutes and 130 -220 lbs. is 21 minutes.  
 The speed is the velocity at which water moves up or down on the back jets. The intensity is the water pressure from the jets.  
 During the cycle, both speed and intensity gradually increase to a maximum level determined for each body weight range.

### VARIATIONS FROM DEFAULT SETTINGS

#### BODY WEIGHT RANGE:

Press the BODY WEIGHT button until the appropriate LED comes on. The duration will automatically change the length of the cycle and the maximum power of the jets.

#### TONIC to RELAX:

Press the TONIC/RELAX button. The RELAX LED comes on. The flow from the jets is now from top to bottom.

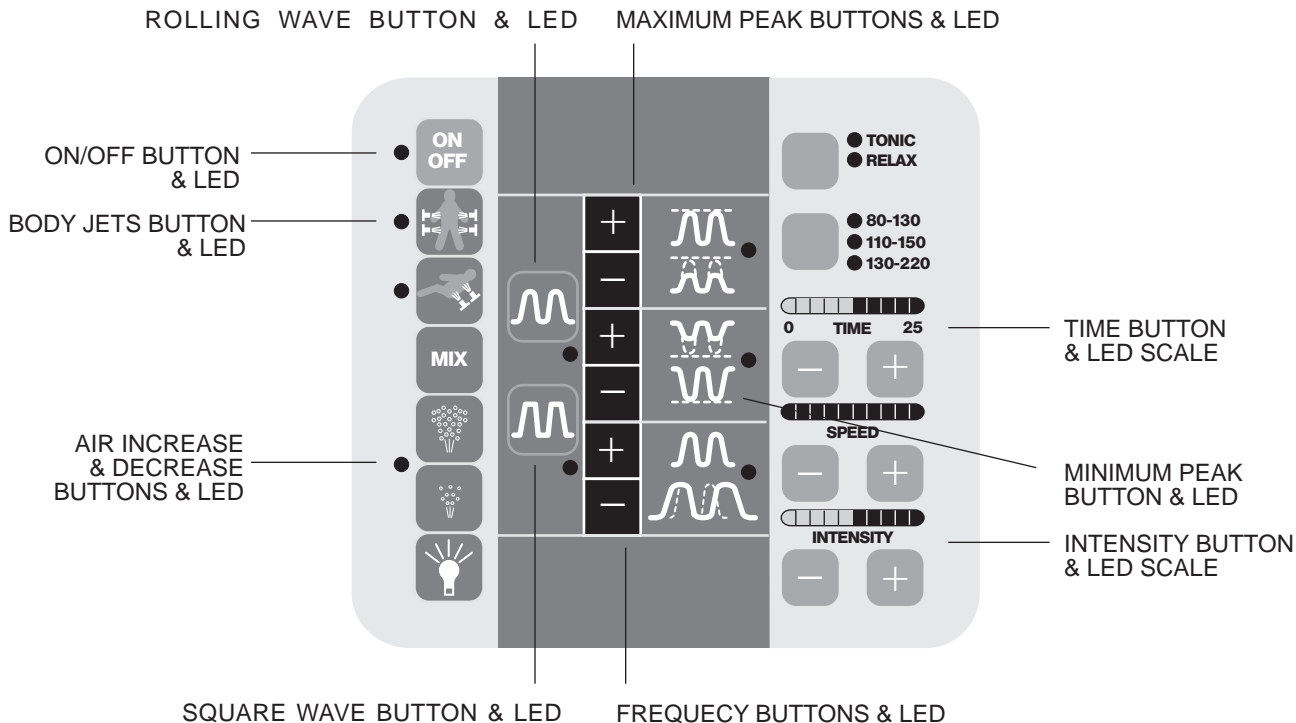
#### TIME, SPEED and INTENSITY:

Repeatedly press + or - buttons for each function. Variations from the standard value are displayed by the relative LED scales.

**NOTE:** During the BACK JETS (Shiatsu) cycle, the intensity and speed of the back jets are gradually increased. Any change of these values has an immediate effect.

# J-Sha II Owner's Manual

## WHIRLPOOL OPERATION



## WHIRLPOOL

Press BODY JETS button:

The body jets led will come on while the TONIC indicator, 110-150 LED and the SPEED scale will all turn off. The value on the TIME and INTENSITY scales will change to preprogrammed values. The duration of this cycle is about 20 minutes. The intensity of the jets are held constant and the air is off.

## VARIATIONS FROM DEFAULT SETTINGS

TIME or INTENSITY:

Repeatedly press + or - buttons for each function. Variations from the preprogrammed values are displayed by the relative LED scales.

AIR:

The default for body jets is air off. Press the upper AIR button to turn on the air flow. The LED turns on. Press the upper button to increase the air flow from the body jets. Press the lower air flow to decreases air flow. When the LED goes off, the air is off.

For pulsating air flow, press and hold the upper or lower air button twice. The LED flashes to indicate this mode. To turn off press either button once again.

ROLLING function:

Press the ROLLING button. The LED comes on. In this cycle the intensity of the jets is gently modulated with repeated pulses. The cycle starts with a minimum intensity to a maximum intensity with an immediate drop off toward the minimum. Press again to return to continuous flow operation.

SQUARE function:

Press the SQUARE button. The LED comes on. In this cycle the intensity of the jets is energetically modulated with short repeated pulses. The maximum peak will last for an interval then drop off to the minimum. Press again to return to continuous flow operation.

FREQUENCY:

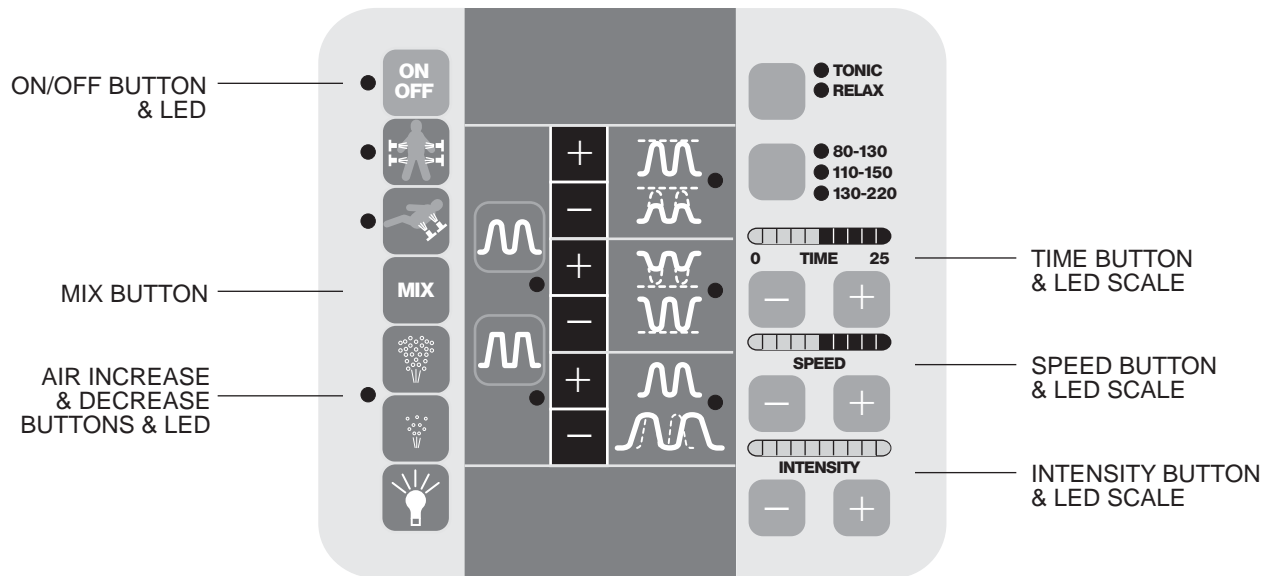
The speed of the whirlpool jet action can be increased or decreased by the use of these buttons. Press + or - buttons to increase or decrease the frequency of either the rolling or square pulses. The LED comes on.

MAXIMUM & MINIMUM PEAKS:

The whirlpool jet action can be made more or less gentle, or more or less forceful by use of these buttons. Press + or - buttons to increase or decrease the maximum or minimum peaks of either the rolling or square pulses. The LEDs comes on.

# J-Sha II Owner's Manual

## MIX OPERATION (BACK AND BODY JETS)



### MIX

Both back jets and body jets operate in this mode.

Press MIX button:  
BACK JETS and BODY WEIGHT LEDs remain off.  
INTENSITY indicator will be completely lit. The duration of this cycle is about 20 minutes. The back jets flow is from lower to upper jets with gradually increasing speed.

### TONIC/RELAX MODE VARIATIONS FROM DEFAULT SETTINGS

**BODY WEIGHT AND ROLLING OR SQUARE :**  
Body weight and rolling or square function can not be set during MIX mode.

**TIME, SPEED and INTENSITY:**  
Repeatedly press + or - buttons for each function.  
Variations from the standard value are displayed by

the relative LED scales.

**AIR:**  
The default for body jets is air off. Press the upper AIR button to turn on the air flow. The LED turns on. Press the upper button to increase the air flow from the body jets. Press the lower air flow to decrease air flow. When the LED goes off, the air is off.

For pulsating air flow, press and hold the upper or lower air button twice. The LED flashes to indicate this mode. To turn off press either button once again.

### IMPORTANT

When exiting the bath, the water level will drop below the back jets which could result in water being sprayed out of the unit. To prevent this, **you must turn off the unit before exiting the bath.**

## Maintenance

### Back Jet Manifold Drainage

When the unit is turned off, the back jet manifold will continue to drain after the bath is empty

### Cleaning the J-Sha

To clean your J-Sha whirlpool bath, simply use a mild nonabrasive liquid detergent or commercially prepared bathtub cleaner. **Do not use abrasive cleaners.** You can protect and restore the gloss to a dulled surface by applying a polish specifically designed for use on acrylic finishes. If an acrylic polish is not available, an automotive paste wax can be used.

### Purging the Whirlpool System

**NOTE: THE WHIRLPOOL SYSTEM SHOULD BE PURGED AT LEAST TWICE A MONTH**

To remove accumulations of bath residue from the whirlpool system, it is recommended that a whirlpool bath be purged at least twice a month. For best results, however, we recommend that you purge your whirlpool bath after each use using our exclusive two-part plumbing system cleaner made specifically for whirlpool baths. Systems Clean™ is available through an authorized Jacuzzi Whirlpool Bath Distributor or by calling us direct at 1-800-288-4002. Instructions for use: Immediately after bathing and exiting the whirlpool bath, leave the bath water in the tub and add hot water, if necessary, so the water is at least 2" above the highest jet. Turn on the unit without the aerator. Pour the contents of the Systems Clean Packet 1 (taking care not to get the material on yourself) into the bath near the intake for the circulation pump. Repeat same process with Systems Clean Packet 2. **It is important to use Packet 1 before Packet 2 to avoid a strong odor.** Run the bath for 5 to 10 minutes. Drain completely and rinse any residue.

If you have followed the standard purging instructions above and still have an excess accumulation of bath residue and desire an alternative cleaning mechanism, we recommend **SUPER SYSTEMS CLEAN PLUS** manufactured by Stearns Packaging to rectify this condition. This may be obtained by contacting us at 1-800-288-4002. It is recommended that you follow the instructions provided by the manufacturer with the product. Repeated use may be necessary. **SUPER SYSTEMS CLEAN PLUS** does not replace the necessity to regularly purge your whirlpool system with Systems Clean as recommended.

(For additional information about water content, contact us for a copy of the Jacuzzi Water Quality Primer.)

### Bath Additives

**NOTE: DO NOT USE OIL OR OIL BASED BATH ADDITIVES.**

If you want to use any kind of bath additive, use only a small amount of low-foaming powder or crystal substance; the whirlpool action intensifies the foaming properties of soaps.

The use of certain bath oils, bubble baths and bath additives may increase the level of accumulations of bath residue in the whirlpool system. If excess accumulations persist, you should discontinue use of these products.



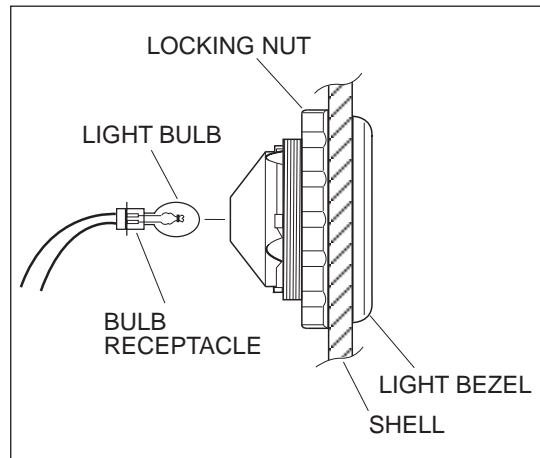
## Repairs to the Surface

Minor scratches which do not penetrate the color finish (acrylic) can be removed with 600-grit wet/dry sandpaper. Restore the glossy finish with an acrylic polish or a comparable automotive paste wax. Major scratches or gouges which penetrate the acrylic surface require refinishing. Ask your dealer for special instructions.

## Lamp

When the bulb burns out, replace it from the **back** of the lamp fitting, on the underside of the shell, by pulling out the bulb receptacle. Replacement bulbs (7W, 12V) are available from your Jacuzzi Whirlpool Bath dealer.

### LIGHT BULB REPLACEMENT



**PRODUCT SPECIFICATIONS ARE SUBJECT TO CHANGE WITHOUT NOTICE.  
USE INSTALLATION INSTRUCTIONS SUPPLIED WITH PRODUCT.**

Jacuzzi Whirlpool Bath has obtained applicable code (standards) listings generally available on a national basis for products of this type. It is the responsibility of the installer/owner to determine specific local code compliance prior to installation of this product. Jacuzzi Whirlpool Bath makes no representation or warranty regarding, and will not be responsible for any code compliance.

## JACUZZI WHIRLPOOL BATH

**Jacuzzi Whirlpool Bath National Headquarters**  
P.O. Drawer J, Walnut Creek, CA 94596 (925) 938-7070

**Service Support:** Call (800) 288-4002

©1999 Jacuzzi Whirlpool Bath P946000 5/5/03



Printed on Recycled Paper

Printed in the U.S.A.



# Jacuzzi Whirlpool Bath Limited Warranty Designer Collection Bath Product

## WARRANTY COVERAGE

Jacuzzi Whirlpool Bath (the "Company") offers the following express limited warranty to the original purchaser of any Jacuzzi Whirlpool Bath Designer Collection Bath Product ("unit") who purchases the product for personal or single family use ("user"). The Company will repair or replace, at its option, the unit or its equipment in accordance with the following terms and conditions.

### TWO YEAR LIMITED WARRANTY ON BATHS

Our limited warranty on Designer Collection Bath products is for two (2) years. Our warranty covers the unit and factory-installed components (e.g., pump, motor) against defects in material or workmanship. Warranty coverage begins on the date the unit was originally purchased by the user.

### FIVE YEAR (PARTS ONLY) LIMITED WARRANTY ON PUMP AND MOTOR

Our limited warranty on the pump and motor is for five (5) years for parts only. Warranty coverage begins on the date the unit was originally purchased by the user.

### NINETY DAY (PARTS ONLY) LIMITED WARRANTY ON OPTIONS AND ACCESSORIES

Our limited warranty on options and accessories manufactured by the Company is for ninety (90) days for parts only. Our warranty covers options and accessories manufactured by the Company (e.g., fill spout kits, trim kits, skirts) against defects of material or workmanship. Warranty coverage begins on the date the option or accessory was originally purchased by the user.

## WARRANTY LIMITATIONS

Our limited warranty does not cover defects, damage, or failure caused by the common carrier, installer, user, or other person, or resulting from, without limitation, any of the following: careless handling (lifting unit by plumbing, abrading finish, etc.); modification of any type for any reason (including modification to meet local codes); improper installation (including installation not in accordance with instructions and specifications provided with the unit); connections supplied by the installer of the equipment; improper voltage supply or unauthorized electrical modification; misuse; incorrect operation, or lack of proper routine maintenance; operation of the unit without specified minimum amount of water or at inappropriate water temperature; use of abrasive or improper cleaners; or acts of God, such as lightning, floods, earthquakes, etc.

In addition, THE COMPANY WILL NOT BE RESPONSIBLE FOR INCIDENTAL OR CONSEQUENTIAL DAMAGES or losses arising from any cause (e.g., water damage to carpet, ceiling, loss of use, etc.) including its own negligence; damages to, respecting, or resulting from: plated parts when pool and/or spa chemicals are used in the unit; optional bath equipment not manufactured by the Company but supplied by Dealer, installer or the Company; the unit's prior usage as an operational display; or defects that should have been discovered before installation. This limited warranty does not include: labor, transportation, or other costs incurred in the removal and/or reinstallation of the original unit and/or installation of a replacement unit; any costs relating to obtaining access for repair; or loss of use damage, including loss of sales, profit or business advantage of any kind under any circumstances. Bath units are excluded from any warranty coverage if any addition, deletion, or modification of any kind whatsoever has been made to the unit (or to any component).

Warranty coverage is provided in the United States of America only.

## EXCLUSION OF IMPLIED WARRANTIES

IMPLIED WARRANTIES OF MERCHANTABILITY AND FITNESS FOR A PARTICULAR PURPOSE ARE DISCLAIMED ALTOGETHER OR TO THE FULL EXTENT ALLOWED BY LAW.

NOTICE: This warranty gives you specific legal rights, and you may also have other rights which vary from state to state. There are no warranties applicable to Jacuzzi Whirlpool Bath products except as expressly stated herein or as implied by applicable state and federal laws. The Company will not be responsible for any statements or representations made in any form that go beyond, are broader than or are inconsistent with any authorized literature or specifications furnished by the Company.

Some states do not allow limitations on how long an implied warranty lasts, or the exclusion or limitation of incidental or consequential damages, so the above limitations and exclusions may not apply to you.

## RETURN OF WARRANTY CARD

The attached Warranty Registration Card MUST be filled out by the purchaser within thirty (30) days from purchase and mailed to Jacuzzi Whirlpool Bath in order for this warranty to become effective.



Jacuzzi Whirlpool Bath  
P.O. Drawer J  
Walnut Creek, CA 94596-9885

## RESPONSIBILITIES OF OTHERS

Inspecting the unit prior to installation is the responsibility of the installer or building contractor who acts on behalf of the user. They are responsible for ensuring the unit is free of defect or damage. Notices are placed on and in the unit and on the shipping carton advising the installer of this responsibility. In the event of a problem, the unit must not be installed. The Company is not responsible for failures or damage that could have been discovered, repaired, or avoided by proper inspection and testing prior to installation.

Damage occurring in transit is the responsibility of the carrier. The user or installer **MUST** open the crate and inspect the unit for damage when it is delivered. If damage is discovered, it must be reported immediately to the seller and the carrier in writing, and an inspection requested. Failure of the carrier to respond should be reported to the seller and the carrier. Your freight claims should be filed promptly thereafter.

It is the responsibility of the installer, building contractor, or user to provide access for service. The Company is not responsible for any costs relating to obtaining access for repair. The user shall bear such costs and, if appropriate, must seek recovery from the installer.

Damage occurring to the unit during installation is the responsibility of the installer and/or building contractor and damage occurring thereafter is the responsibility of the user.

Failure of any optional equipment is the sole responsibility of the equipment manufacturer. (Options and accessories manufactured by the Company are warranted for ninety (90) days from the original date of purchase for parts only.)

The Distributor or Dealer is responsible for knowing local code requirements and notifying the installing contractor and/or user of these requirements at the time of purchase. The Company is not responsible for costs to modify any product to obtain any code approval, such as city, county, or state building codes.

## WARRANTY SERVICE

For the customer's benefit, the Company maintains a list of independent service personnel to perform required warranty service repairs. Such firms are not agents or representatives of the Company and cannot bind the Company by words or conduct.

The Company will provide the warranty service described above when the following conditions have been met: the failure is of the nature or type covered by the warranty; the user has informed an Authorized Jacuzzi Whirlpool Bath Service Agent or Warranty Service Department Representative of the nature of the problem during the warranty period; conclusive evidence (e.g., proof of purchase or installation) is provided to the foregoing by the user proving that the failure occurred or was discovered within the warranty period; an authorized independent service person or Company representative has been permitted to inspect the unit during regular business hours within a reasonable time after the problem was reported by the user.

In order to obtain warranty service, consult your local telephone book for the location of the nearest Jacuzzi Whirlpool Bath Authorized Service Agent. Describe the problem and the Authorized Service Agent will inspect the unit and provide the required warranty service.

If you are unable to contact a Jacuzzi Whirlpool Bath Authorized Service Agent, call or write:

Jacuzzi Whirlpool Bath  
Warranty Service Department  
P.O. Drawer J  
Walnut Creek, California 94596  
Call: (800) 288-4002

To obtain warranty replacement for factory-installed components for Company supplied options and accessories manufactured and supplied by the Company, call or write the above. Provide a description of the problem and proof of purchase. You will be instructed how to obtain replacements and where to return, at your expense, the failed component(s), option(s), or accessory(ies).

All replacement parts, equipment, and repairs shall assume the remaining warranty period of the part(s) replaced.

The Company's warranty obligation shall be discharged upon tender of replacement or repair. The customer's refusal to accept the tender terminates the Company's warranty obligation.

©1998 Jacuzzi Whirlpool Bath P946000 5/5/03

Ninety-Day  
Parts Only  
Limited Warranty  
On  
Accessory(ies)

Ninety-Day  
Parts Only  
Limited Warranty  
On  
Accessory(ies)



### Warranty Registration Card

This card must be filled out and returned to the address printed on the other side within thirty (30) days from date of purchase in order for this warranty to be come effective.

Purchaser's Name \_\_\_\_\_

Purchaser's Address \_\_\_\_\_

City \_\_\_\_\_ State \_\_\_\_\_ Zip \_\_\_\_\_

Date of Purchase \_\_\_\_\_

Model Name \_\_\_\_\_

Serial Number \_\_\_\_\_

Dealer's Name \_\_\_\_\_

Dealer's Address \_\_\_\_\_

1. How did you first hear about this Jacuzzi® product?
  - Advertisement  Article in Magazine/Newspaper
  - Visited Dealer/Plumbing Supplier  Yellow Pages
  - Builder/Plumber/Remodeler  Decorator/Architect
  - Visited Retailer/Home Center Store
  - Word of Mouth ... Friend/Relative/Acquaintance
  - Other (Please Describe) \_\_\_\_\_
2. Who first gave you specific information about this product (specifications, prices, etc.)?
  - Dealer/Plumbing Supplier  Builder  Remodeler
  - Plumbing Contractor  Retailer/Home Center Store
  - Decorator/Architect  Already Installed
3. What was the main reason for purchase?
  - Styling  Warranty Service  Product Features
  - Brand Name  Price  Hydrotherapy
  - Home Resale
  - Other \_\_\_\_\_
4. Who finally decided which product you would buy?
  - Self  Spouse  Self and Spouse Together
  - Other Family Member  Designer/Architect
  - Builder/Plumber/Remodeler  Already Installed
5. Who installed?
  - Already installed/New Home
  - Contractor/Plumber when remodeling
  - Self/Spouse when remodeling
  - Other \_\_\_\_\_
6. What is the current market value of this property? \_\_\_\_\_
7. Please estimate \$ \_\_\_\_\_
8. What is the age of the head of the household? \_\_\_\_\_ years
9. What other manufacturers did you consider?
  - Eiler  Lasco  Price Pfister  Aqua Glass
  - Kohler  American Standard  Sterling
  - Other (Specify) \_\_\_\_\_
10. How long did you shop before purchasing unit?
  - 1 day  2 months-6 months
  - 2-7 days  6 months-1 year
  - 1 week-2 weeks  1 year-2 years
  - 2 weeks-4 weeks  +2 years
  - 1 month-2 months
11. Approximately how long have you lived in this home? \_\_\_\_\_
12. Please indicate, approximately, the total annual income of your household:
  - Up to \$24,999  \$50,000 to \$74,999
  - \$25,000 to \$29,999  \$75,000 to \$99,999
  - \$30,000 to \$39,999  \$100,000 to \$149,999
  - \$40,000 to \$49,999  \$150,000 and Above
13. Was your purchase process?
  - Very easy  Easy  Difficult  Very Difficult
13. How technically aware were you of the patented Jacuzzi® jet system prior to your purchase?
  - Not aware  Somewhat aware  Very aware

**JACUZZI WHIRLPOOL BATH**

P946000  
5/5/03

## Free Manuals Download Website

<http://myh66.com>

<http://usermanuals.us>

<http://www.somanuals.com>

<http://www.4manuals.cc>

<http://www.manual-lib.com>

<http://www.404manual.com>

<http://www.luxmanual.com>

<http://aubethermostatmanual.com>

Golf course search by state

<http://golfingnear.com>

Email search by domain

<http://emailbydomain.com>

Auto manuals search

<http://auto.somanuals.com>

TV manuals search

<http://tv.somanuals.com>