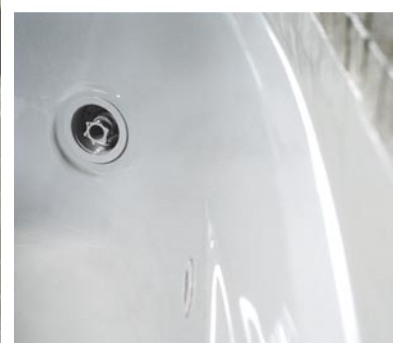


amiga™ whirlpool bath and soaking bath with integral skirt

never has there been a friend—an “amiga”—so comforting, so indulging: the amiga™ whirlpool bath.



Your best friend at the end of any long day, the Amiga™ a simple, enveloping form.

features:

- 3 fully adjustable TheraPro™ jets with a maximum flow rate of 30 GPM per jet
- 4 directionally adjustable AccuPro™ jets
- Sculpted armrest
- Contoured backrest
- Energy-efficient, self-draining pump
- Patented Silent Air™ induction system
- Slip-resistant bottom
- Exclusive Tru-Level™ self-leveling base system
- Drain included on whirlpool baths

amiga™ whirlpool bath (with integral skirt)

model number: T710 – RH, T700 – LH

exterior dimensions:
72" long x 36" wide x 20¾" high

interior dimensions:
45" long x 22" wide

of Jets/type of Jets:
3 TheraPro™ Jets,
4 AccuPro™ Body and Side Jets

operating gallons:
50 gallons

amiga™ soaking bath (with integral skirt)

model number: T715 – RH, T705 – LH

exterior dimensions:
72" long x 36" wide x 20¾" high

interior dimensions:
45" long x 22" wide

Detail: The Amiga™ whirlpool bath includes three exclusive Jacuzzi® TheraPro™ massaging jets and a sculpted armrest.





Amiga™ Whirlpool Bath with Integral Skirt

Model: T700, T710

Amiga™ Bath with Integral Skirt

Model: T705, T715

Ordering Information

Product Code:

T700 Amiga™ Whirlpool Bath With Integral Skirt Left Hand

T710 Amiga™ Whirlpool Bath With Integral Skirt Right Hand

T715 Amiga™ Bath With Integral Skirt Right Hand

T705 Amiga™ Bath With Integral Skirt Left Hand

• Right and Left Hand Drain Location

• Accessories / Hardware:

Trip-Lever Drain Kit: #X559

Rotary Drain Kit, 26" Cable: #8730

HTC Jet Trim Kit: #D095

BMH Jet Trim Kit: #J869

• Trim Kit Finishes Available:

(827) - Chrome

(898) - Brushed Chrome

(815) - Satin Nickel

(829) - Bright Brass

(805) - Platinum

(826) - Brushed Nickel

(849) - Oil Rubbed Bronze

Installation Notes

Refer to installation instructions included with fixture before beginning installation. Please confirm product availability and specifications before commencing with any installation work.

PRODUCT SPECIFICATIONS AND AVAILABILITY ARE SUBJECT TO CHANGE WITHOUT NOTICE.

Electrical Components and Electrical Specifications do not apply to non-jetted baths.

Technical Specifications

Dimensions

72" L x 36" W x 20-3/4" H
(1829) mm L x (914) mm W x (527) mm H

Drain/Overflow

A: 16-7/8" (429 mm) B: 14" (356 mm)

Cutout

NA

Total Weight

T710, T700: 796 lb. (362 kg) / 44.2 lb/sq. ft. (216 kg/m²)
T705, T715: 762 lb. (346 kg) / 42.3 lb/sq. ft. (207 kg/m²)

Operating Gallonage

50 U.S. Gal. (189 Liters)

Product Weight

T710, T700: 129 lb. (59 kg)
T705, T715: 95 lb. (43 kg)

Skirt Mounting

Integral

Electrical Specifications Models T700, T710 only

Requires a dedicated GFCI protected separate circuit.

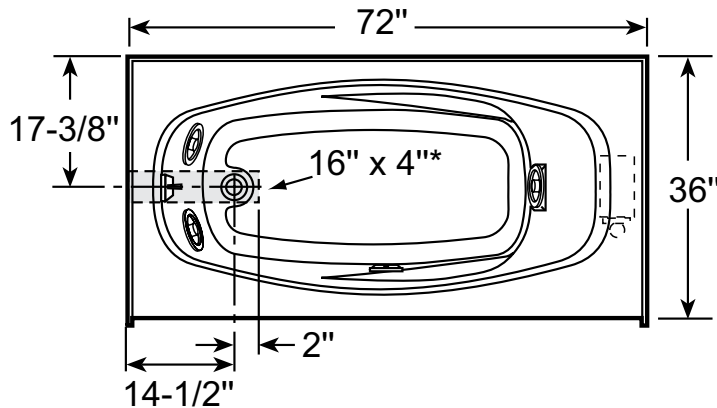
Motor/Pump: 120 VAC, 15 AMP, 60 Hz.

RapidHeat™: 120 VAC, 15 AMP, 60 Hz.

Heater (Optional) Models T700, T710 only

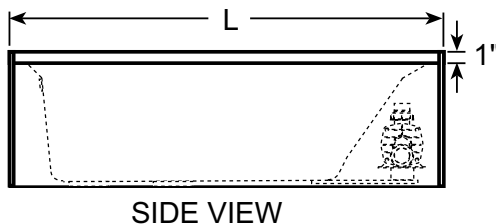
Requires a dedicated GFCI protected separate circuit.

RapidHeat™: P/N S750000

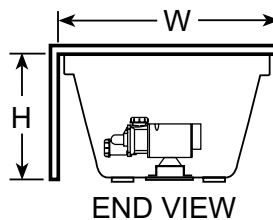


Product Shown: Amiga™ Whirlpool Bath With Integral Skirt Left Hand Shown Model: T700

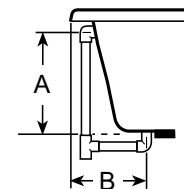
* Measurements inside unit represent cutout in floor to allow for drain/overflow.



SIDE VIEW



END VIEW



DRAIN/OVERFLOW

Free Manuals Download Website

<http://myh66.com>

<http://usermanuals.us>

<http://www.somanuals.com>

<http://www.4manuals.cc>

<http://www.manual-lib.com>

<http://www.404manual.com>

<http://www.luxmanual.com>

<http://aubethermostatmanual.com>

Golf course search by state

<http://golfingnear.com>

Email search by domain

<http://emailbydomain.com>

Auto manuals search

<http://auto.somanuals.com>

TV manuals search

<http://tv.somanuals.com>