

capella® 60 spacesaver whirlpool bath and soaking bath with integral skirt

to the Italians, "la capella"—the chapel—is a sacred place. step into our capella® whirlpool, and you'll understand.



The Capella's® unique corner configuration allows for roomy relaxation.

whirlpool bath features:

- 4 fully adjustable TheraPro™ jets
- 3 directionally adjustable AccuPro™ jets
- Electronic on/off controls
- Patented Fixed Air Flow System
- Sculpted armrest and contoured backrest
- Built-in tile flange and integral skirt with access panels on skirted models
- Drain included on whirlpool baths

capella® 60 spacesaver whirlpool bath

model number: **U950**

exterior dimensions:
60" long x 60" wide x 20½" high

interior dimensions:
50" long x 34" wide(mid) x 18" wide(end)

of Jets/type of Jets:
**4 TheraPro™ Jets,
3 AccuPro™ Jets,**

operating gallons:
60 gallons

capella® 60 spacesaver soaking bath

model number: **U960**

exterior dimensions:
60" long x 60" wide x 20 ½" high

interior dimensions:
50" long x 34" wide





Capella® Space Saver Corner Whirlpool Bath w/Integral Skirt

Model: U950

Capella® Space Saver Corner Bath with Integral Skirt

Model: U960

Ordering Information

Product Code:

U960 Capella® 60 Space Saver
Corner Bath w/Integral Skirt

U950 Capella® 60 Space Saver
Corner Bath Whirlpool w/
Integral Skirt Right Hand

- Center Drain Location
- Accessories / Hardware:
 - Trip-Lever Drain Kit: #X559
 - TheraPro™ Jet Rings Kit #D095
 - AccuPro™ Jet Rings Kit #P556
- Trim Kit Finishes Available:
 - (827) - Chrome
 - (898) - Brushed Chrome
 - (815) - Satin Nickel
 - (829) - Bright Brass
 - (805) - Platinum
 - (826) - Brushed Nickel
 - (849) - Oil Rubbed Bronze

Installation Notes

Refer to installation instructions included with fixture before beginning installation. Please confirm product availability and specifications before commencing with any installation work.

PRODUCT SPECIFICATIONS AND AVAILABILITY ARE SUBJECT TO CHANGE WITHOUT NOTICE.

Electrical Components and Electrical Specifications do not apply to non-jetted baths.

Technical Specifications

Dimensions

60" L x 60" L x 20-1/2" H
(1524 mm) L x (1524 mm) L x (520 mm) H

Drain/Overflow

A: 18" (457 mm) B: 12-3/8" (314 mm)

Cutout

Not Applicable

Total Weight

U950: 880 lb (399 kg) / 35 lb/sq. ft. (172 kg/m²)
U960: 855 lb (388 kg) / 34 lb/sq. ft. (167 kg/m²)

Operating Gallonage

60 U.S. Gal. (227 Liters)
Max. 90 U.S. Gal. (341 Liters)

Product Weight

U950: 130 lb (59 kg)
U960: 105 lb (48 kg)

Skirt Mounting

Integral

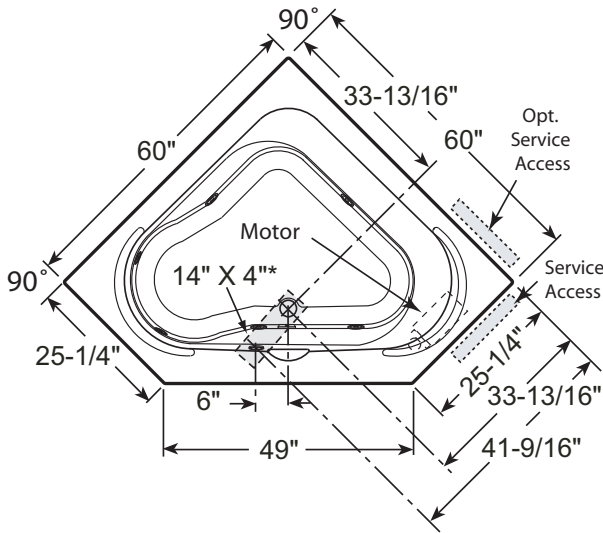
Electrical Specifications Model U950 only

Requires a dedicated GFCI protected separate circuit.

Motor/Pump: 120 VAC, 15 AMP, 60 Hz.

Heater

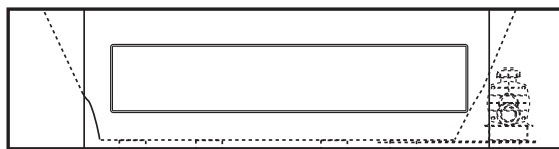
Not available



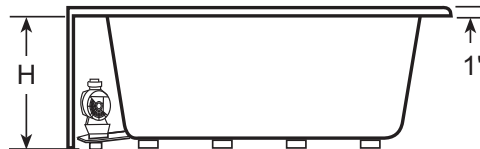
Product Shown: Capella® 60 Space Saver Corner Whirlpool Bath Right Hand w/ Integral Skirt. Model: U950

* Measurements inside unit represent cutout in floor to allow for drain/overflow.

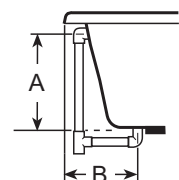
Minimum Service Access dimensions given.



FRONT VIEW



SIDE VIEW



DRAIN/OVERFLOW

Free Manuals Download Website

<http://myh66.com>

<http://usermanuals.us>

<http://www.somanuals.com>

<http://www.4manuals.cc>

<http://www.manual-lib.com>

<http://www.404manual.com>

<http://www.luxmanual.com>

<http://aubethermostatmanual.com>

Golf course search by state

<http://golfingnear.com>

Email search by domain

<http://emailbydomain.com>

Auto manuals search

<http://auto.somanuals.com>

TV manuals search

<http://tv.somanuals.com>