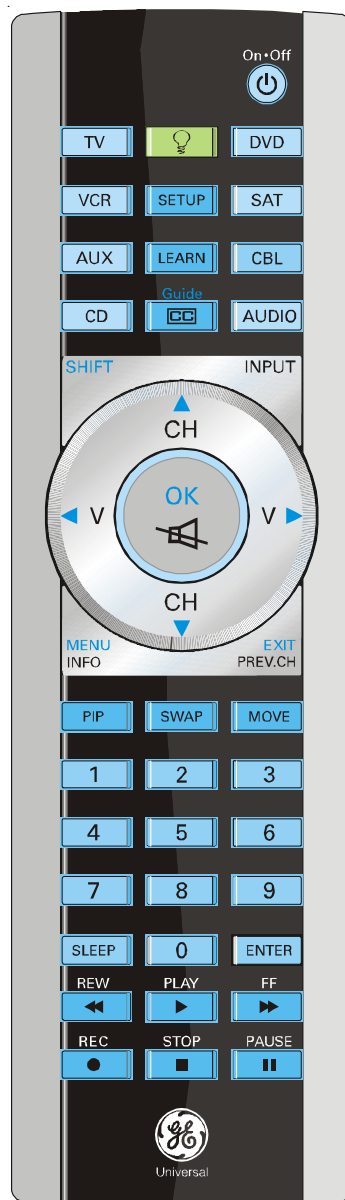




# Universal Remote Instruction Manual



## Table of Contents

Introduction .....	3
Button Functions .....	4
INPUT .....	6
Setup .....	6
Battery Installation .....	6
Battery Saver .....	7
Code Saver .....	7
Power-On default .....	7
Code Setup .....	7
Code Entry .....	8
Direct Code Entry .....	8
Code Search .....	8
Code Identification Feature .....	9
Programming Combo Device Codes .....	10
Controlling Combo Devices .....	10
Controlling Devices with Power On and Off ....	10
VCR/DVD/DVR Punch-Through Feature .....	11
Volume/Mute Control Feature .....	11
Setting Volume/Mute Control, Punch-Through .	12
Setting any Mode to use its own Volume/Mute	12
Sleep Timer .....	13
Code Learning .....	14
Tips on Learning .....	14
IR Transmitter Finder Feature .....	16
Learning Commands .....	16
Clearing Commands .....	18
Clearing Learned commands for a mode ....	18
Master Clear .....	18
Troubleshooting .....	19

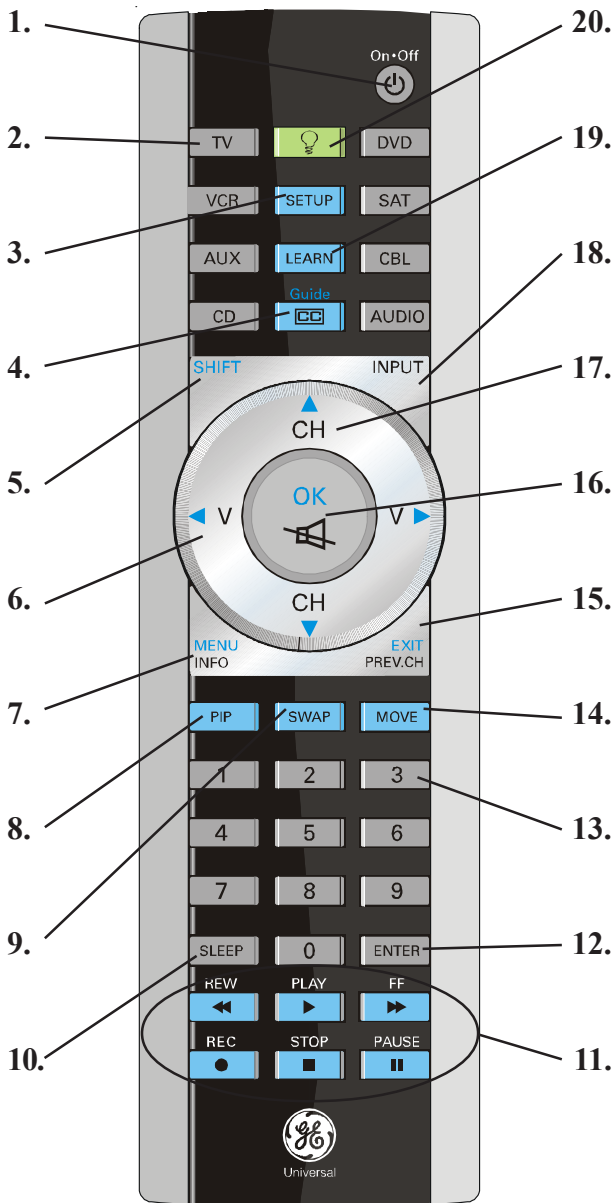
## Introduction

Congratulations on your purchase of this RM25001 Universal Remote Control. It is one of the most unique looking, and easy to use remote controls available today. Its stylish looking blue backlight, and metallic keypad is like no other remote. With the RM25001 juggling multiple remote controls is a thing of the past! Your RM25001 Universal Remote controls up to 8 devices, including the most popular brands of TV, VCR, DVD, SAT, CBL, and audio equipment.

Note: Some functions from your original remote may not be controlled by the RM25001 remote. Use the original remote, if available, to control such functions. Sometimes buttons other than described in these instructions may actually perform the function. For example, the CHAN and VOL buttons might be used to navigate through menu choices. We recommend you experiment with the remote to identify if such situations pertain to your equipment.

The RM25001 Universal Remote is easy to use, easy to program, and it gives you total control—at the touch of your fingertips!

## Button Functions



Note: The **REC** button must be pressed TWICE to record from your VCR. For some brands of VCRs, you might need to press the **REC** button once, then press it again for three seconds. Some buttons on the remote might have functions that are referred to by different names on the device you are controlling. E.G. **PREV.CHAN** may be called **RECALL**, or **ENTER** may be called **DISPLAY**. These differences depend on the brand and model of your product. Also, this remote can only operate features that exist on your product. E.G., your product must have **PREV.CHAN** ability for the **PREV.CHAN** button to operate this feature.

## Button Functions, cont.

1. **ON-OFF** Turns product On or Off.
2. **TV, VCR, DVD, etc.** Selects product to be operated. Lights up in green to indicated what mode you're in.
3. **SETUP** Used for setting up your remote.
4. **CC TV** Closed Caption (if your TV has this feature) or DVD Subtitle toggle. **GUIDE** (after pressing **SHIFT**) brings up the DVD Title Menu screen. Displays on-screen program guide.
5. **SHIFT** Press and release to access buttons labeled in blue (indicator stays on). Press again to exit Shift mode.
6. **VOLUME UP/DOWN** Changes the volume level of the product, normally the TV.
7. **INFO** Displays on-screen channel information, etc. **MENU** brings up the DVD disc Menu screen (after pressing **SHIFT**) - use with the **UP, DOWN, LEFT & RIGHT** navigation buttons (i.e. Vol/Ch buttons).
8. **PIP TV** Picture-in- Picture control.
9. **SWAP** Swaps TV PIP screens.
10. **SLEEP** Turns off the TV after a period of 1 to 99 minutes.
11. **RECORD, PLAY, STOP, REW, FF, PAUSE** VCR control buttons operate your VCR even when the remote is set to operate the TV. Also operates DVD Scan +/-.
12. **ENTER** Used after direct channel number entry to immediately change to the selected channel.
13. **NUMBERS** Enter numbers for direct channel selection. Some products require Enter to be pressed after channel selection.
14. **MOVE** Moves the position of the PIP screen.
15. **PREV CH** Returns to the previously selected channel, or DVD repeat toggle. **EXIT** (after pressing **SHIFT**) Exits On-Screen Menus and/or Returns to previous On-Screen selection.
16. **MUTE** Turns off the TV sound while the picture remains. **OK** (after pressing **SHIFT**) Selects menu items for the device you are controlling.
17. **CHANNEL UP/DOWN** Changes the channels. Also, **CHAPTER +/-** controls DVD/CD track selection i.e. DVD/CD Track Skip Up/Down (in DVD and SAT modes). Note the **VCR** buttons also control DVD when in DVD Mode.
18. **INPUT** For some TVs, press repeatedly to select from available viewing sources (antenna, cable, VCR, etc.).
19. **LEARN** Used to setup learning functions.
20. **BACKLIGHT** Press to turn the Blue Electroluminescent Backlight feature on. After this, any time you press any key, the backlighting illuminates the keys and stays on for 5 seconds after removal of your last keypress. (You never need to press the backlight key again). But if you do, it turns the Backlight feature off, which saves battery life. Backlight is automatically turned off during setup.

### INPUT

When in TV mode the **INPUT** button performs the INPUT source switch function.

When in a mode that has been programmed for VCR the **INPUT** button performs the TV/VCR antenna switch function.

When in a mode that has been programmed for Cable the **INPUT** button performs the A.B switch function.

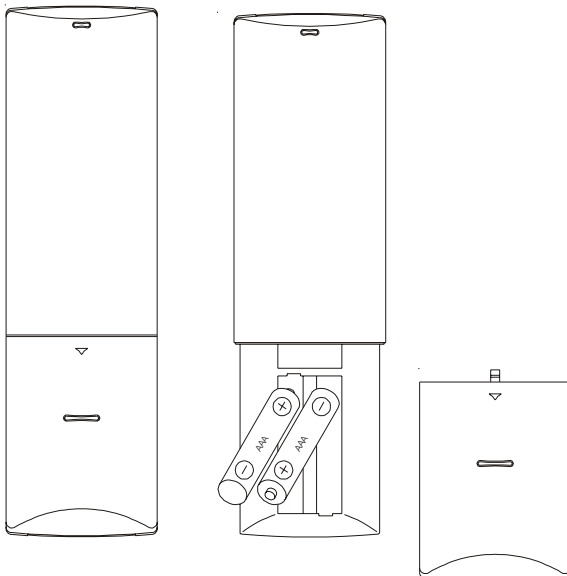
When in a mode that has been programmed for SAT the **INPUT** button performs the TV/SAT switch function.

When in a mode that has been programmed for DVD the **INPUT** button performs the DVD Setup function.

## Setup

### Battery Installation

1. On the back of the remote, push down on the tab and lift the cover off.
2. Match the batteries to the + and - marks inside the battery case, then insert 2 AAA alkaline batteries.
3. Press the battery cover back into place.



### Battery Saver

Your remote automatically turns off if the buttons are depressed more than 30 seconds. This will save your batteries should your remote get stuck in a place where the buttons remain depressed (e.g., between the sofa cushions).

### Code Saver

Codes are stored in permanent memory while you are changing batteries so you will not lose any codes stored in the remote while you are changing batteries.

### Power-On Default

The remote powers on in TV mode.

### Code Setup

The **SETUP** button is used to setup the remote. You can either setup the remote using the code for your brand of product, from the code tables (on separate sheet), or you can search through the library of codes until you find a code that works for your product.

Please refer to “Programming with Code Search” on page 8 for more information on using the code search feature to learn how to search through the library of codes for your products.

**NOTE:** You can store any kind of code under any mode (except TV). I.E. you can store a VCR code under the **CBL** button, or a DVD code under the **VCR** button, etc. However, you can only store TV codes under the **TV** button.

## Direct Code Entry

1. Press and hold the **SETUP** button until the green indicator stays on, then release the **SETUP** button.
2. Press and release the desired mode button (**TV**, **VCR**, etc.). The green indicator blinks, then stays lit.
3. Enter the 3 digit code from the code tables (on separate sheet). Note: after a valid code entry, the green indicator turns off. For an invalid code, the green indicator flashes.
4. With your device on, press **CHANNEL UP**. If the device responds, no further programming is required. Note: If some buttons do not operate your equipment, try one of the other codes for your brand.

Write your codes down here for easy reference later.

Type	Type stored	Code
TV	TV	
DVD		
VCR		
SAT		
AUX		
CBL		
CD		
AUDIO		

## Code Search

If your product does not respond after you have tried all the codes for your brand, or if your brand is not listed, try searching for your code by following these steps.

1. Manually turn on the device (**TV**, **VCR**, etc.) to be controlled.
2. Press and hold the **SETUP** button until the green indicator stays on, then release the **SETUP** button.
3. Press and quickly release the desired mode button (**TV**, **VCR**, etc.). The green indicator blinks off once.
4. Press the **CHANNEL UP** button repeatedly (up to 300 times) until the device to be controlled changes channel. The green indicator blinks off with each button press. If you accidentally overshoot the code required, press the **CHANNEL DOWN** button to backtrack through the library until the device changes channel. Pressing **CHANNEL UP** changes direction to forward again.
5. Press and release **ENTER** to install the code.

## Code Search, cont.

Most users will store VCR codes under the **VCR** button, Cable codes under **CABLE**, etc. If (for example) you want to store a VCR code under **CABLE**, first follow the procedure for Direct Code Entry (previous page) and press **CABLE** in step 2 of Direct Code Entry, then enter ANY VCR code in step 3 of Direct Code Entry. Then follow the steps for Code Search on the previous page. **Note:** If the device does not have a **CHANNEL UP** button, use **PLAY** (VCR only) or **ON-OFF** instead. Code Search starts from the currently stored 3 digit number under that mode.

## Code Identification Feature

The Code Identification Feature allows you to identify the three digit library code stored under your device key. For example, if you want to find out what three digit code is stored under your TV device key, follow the six steps below:

1. Press and hold the **SETUP** button until the green indicator stays on. Release the **SETUP** button.
2. Press and release the desired mode button (**TV**, **VCR**, etc.). The green indicator blinks, then stays lit.
3. Press and release the **SETUP** button. The green indicator blinks off.
4. To find the first digit for the code stored under the mode key pressed in step 2, press each numeric key from **0-9** in turn. When the green indicator blinks off the number you pressed is the first digit for the code you are searching for.
5. To find the second digit, repeat step 4, this time when the green indicator blinks off this is the second digit.
6. Repeat step 4 again to find the third digit.

### Programming Combo Device Codes

Some Combo devices (e.g. TV/VCR, TV/DVD, DVD/VCR, etc.) will require you to set up two different Mode buttons to control both parts of the Combo device. For example, if you have a TV/DVD Combo, you might need to set up one code under the **TV** button to control the TV part AND a separate code (under any other Mode button) to control the DVD part.

### Controlling Combo Devices

Some Combo devices (e.g. TV/VCR, TV/DVD, DVD/VCR, etc.) have separate buttons on the original remote to select the part of the Combo device to be controlled. For example, if your Combo device is a DVD/VCR then its original remote might have separate DVD and VCR buttons for selection of the Combo part you would control. The equivalent button functions can be found on your new remote by using the device Mode and **SETUP** buttons.

Referring to “Programming with Code Search” on page 8, setup a device Mode (e.g. **DVD**) with the correct code for your Combo device. Assuming the DVD/VCR Combo device is the example and its code is programmed under **DVD** Mode, press and hold the **DVD** Mode button for more than one second to send the DVD button command. To send the VCR button command, quickly press and release the **SETUP** button followed by pressing and releasing the **DVD** Mode button. This method can be applied similarly to all Combo devices (e.g. TV/VCR, TV/DVD, DVD/VCR, etc.) and is available for all Modes. Note this feature is not supported by all codes.

### Controlling Devices Requiring Separate Power On and Off Buttons

Some devices (e.g. certain RCA TVs) require separate Power On and Power Off buttons to turn the device on and off. The equivalent button functions can be found on your new remote by using the device Mode and **ON-OFF** buttons. Referring to “Programming with Code Search” on page 8, setup a device Mode (e.g. **TV**) with the correct code for your device.

Assuming a TV device is the example and its code is programmed under **TV** Mode, to turn your TV on, press and hold the **TV** Mode button for more than one second to transmit the Power On button command.

### Controlling Devices Requiring Separate Power On and Off Buttons, cont.

To turn the TV off, press and release the **ON-OFF** button to transmit the Power Off button command. This method can be applied similarly to any device and is available for all Modes. Note this feature is not supported by all codes.

### VCR/DVD/DVR Punch-Through Feature

This remote allows the 6 VCR transport buttons (i.e. **PLAY**, **PAUSE**, **STOP**, **FF**, **REWIND**, and **REC**) to Punch-Through control from any Mode programmed with TV, SAT or Cable codes to the last **VCR**, **DVD** or **DVR** programmed Mode you used. Normally other types of remotes only punch-through (from another Mode) on the 6 VCR buttons to the device programmed under the **VCR** Mode button. This is not much use if you are using a DVD programmed under a Mode other than VCR. For example, if you have 3 DVD, VCR or DVR devices programmed into this remote, the last one you accessed on the remote will be the one that has control of the 6 VCR transport buttons when in any other Mode. This feature will not operate if the programmed TV, SAT or Cable code has its own VCR transport button control e.g. a TV Combo, SAT/PVR, etc.

### Volume/Mute Control and Punch-Through Feature

This remote lets you select which device Mode controls your Volume/Mute buttons. The remote is initially set (factory default) for all device Modes programmed with “**Visual**” codes (e.g. TV, VCR, DVD, DVR, SAT & CABLE) and “**Audio**” codes (e.g. CD & AUDIO) to use their own Volume/Mute control if present. If the programmed “**Visual**” code has no Volume/Mute operation of its own then those buttons will punch-through control to the **TV** Mode device without needing to change to **TV** Mode. Please refer to the next page for more information.

## Setup, cont.

**Any Mode chosen for Volume/Mute control MUST have its own Volume/Mute function or the Volume/Mute buttons will do nothing.**

### Setting ALL Volume/Mute Control to any one Mode

This routine can set all Modes to “punch-through” to any one chosen Mode for Volume/Mute button control without the needing to change to that Mode.

1. Press and hold the **SETUP** button until the green indicator turns on, then release the button.
2. Press and hold the **MUTE** button until the green indicator blinks off, then release the button.
3. Press and release the desired Mode button (**TV**, **VCR**, etc.) for Volume/Mute control, the green indicator blinks then stays on.
4. Press and release the **MUTE** button and the green indicator turns off. The green indicator will blink rapidly for three seconds if the Mode you have selected has no Volume/Mute control.
5. All other Modes will now punch-through to your chosen Mode for Volume/Mute control.
6. All “Visual” and “Audio” programmed Modes will now punch-through to the respective Modes you have chosen for Volume/Mute control.

### Setting any Mode to use its own Volume/Mute Control

This routine can set any Mode to use only its own Volume/Mute control. Note - If your chosen Mode has no Volume/Mute functions of its own then the Volume/Mute buttons will do nothing.

1. Press and hold the **SETUP** button until the green indicator turns on, then release the button.
2. Press and hold the **MUTE** button until the green indicator blinks off, then release the button.
3. Press and release the desired Mode button (**TV**, **VCR**, etc.), the green indicator blinks then stays on.
4. Press and release the **VOLUME-** (Down) button, the green indicator blinks then stays on.
5. Press and release the **MUTE** button and the green indicator turns off.
6. All “Visual” and “Audio” programmed Modes will now punch-through to the respective Modes you have chosen for Volume/Mute control.

## Sleep Timer

The **SLEEP** button enables the remote to turn off your TV after a period of 1 to 99 minutes as shown below. The remote must be in TV mode to set a Sleep Timer. This feature works even if your TV does not have a sleep feature.

1. Press and release the TV device button.
2. Press and hold the **SLEEP** button until the green indicator remains lit (about 2-3 seconds).
3. Release the **SLEEP** button.
4. Press and release the numeric buttons (**01-99**) for the time required. The green indicator will blink off to indicate button press acceptance.
5. TV Sleep Timer is set.
6. **Leave the Remote pointing towards the TV with an unobstructed path.**

To cancel the Sleep Timer, press and hold the **SLEEP** button until the green indicator blinks, or press and release the **ON-OFF** button in TV mode.

The learning feature lets you “learn” functions from your original remote control. For example - you may want to use your remote to operate the RANDOM PLAY feature from your original CD remote control. This remote is equipped with an “easy learning” feature that lets you “learn” features (such as RANDOM PLAY from your original CD remote).

### Tips On Learning

You can only learn one device type under any one Mode button e.g. only learn TV codes under the TV Mode, VCR codes under the VCR Mode, etc. If you are trying to learn from a “Universal” remote, it might have more than one code type stored under a Mode. Try learning from another remote to see if there’s a problem with the type or brand of remote you are trying to learn from.

- a. **Some functions from some types of remotes might not be able to be learned.**
- b. **No functions may be stored under LEARN, BACKLIGHT, or SETUP buttons.**
- c. **Only one original device type can be learned per individual Mode.**
- d. Use fresh batteries for both the Learning Remote and the Original Remote.
- e. Keep at least three feet away from incandescent or low-energy lights when learning.
- f. Perform a Master Clear (see page 18) before learning and try learning 2 or 3 commands initially. Then carry out a Master Clear before completely learning your original remote’s commands.
- g. Point your existing remote at the bottom of the learning Remote so the IR transmitter/sensor on both remotes are directly in line with each other. You may need to adjust the height of either remote to achieve this. Use the IR Transmitter Finder feature to assist you.

- h. Keep the distance between the two remotes to approximately 1 inch and do not move or change the distance between the two remotes until you have learned all the required buttons for that Mode.
- i. When Learning, do not release the button being Learned until the green indicator has blinked off for half a second.
- j. Avoid learning your original remote Volume/Mute buttons unless you are sure these operate the same device e.g. some original DVD remotes include TV Volume/Mute button control and can be two different types of code.
- k. Avoid learning your original remote VCR transport buttons unless you are sure these operate the same device e.g. some original TV remotes include VCR button control and can be two different types of code.
- l. If learning the first or second buttons for a Mode results in continuous errors then try the following:
  - i. End the Learn session by pressing the SETUP key.
  - ii. Clear out the learned commands for that Mode.
  - iii. Check the IR transmitters are correctly aligned between the two remotes (use the IR Transmitter Finder facility).
  - iv. Adjust the distance between the two remotes to be closer (e.g. half an inch) or a bit further away (e.g. 2 inches) from each other.
  - v. Try learning the original remote for that Mode again.

If problems reoccur with the same button check the original remote button being learned – does it transmit? Does it operate the target device? Try learning that button under a *different clear* Mode. If it learns okay then it is likely to be a different code type from the others and cannot be learned under the same Mode.



## IR Transmitter Finder Feature

This feature assists you in identifying where your original remotes IR transmitter is located and is particularly useful if your original remote's IR transmitter is hidden behind a lens.

1. Point both remotes facing each other by approximately 1 inch apart (see Tips on Learning on previous pages).
2. Press and hold the **SETUP** button until the green indicator turns on, then release the button.
3. Press and release the desired Mode button (**TV**, **VCR**, etc.), the green indicator blinks then stays on.
4. Press and release the **LEARN** button, the green indicator blinks then stays on.
5. Press and hold any **Original Remote** button and move the **Original Remote** to the left and right, and/or, up and down in front of the Learning remote IR transmitter. The green indicator will remain on if no IR from the Original remote is found and the green indicator will blink on and off more rapidly when the IR transmitters are lining up. The point where the green indicator blinks most rapidly is where the two IR transmitters are aligned. Note some original remotes will only transmit IR on the initial button press then stop. In these cases, quickly press and release the original remote button repeatedly during this procedure.
6. You can now learn a button from your original remote by continuing from "Step 4" in the "Learning Commands" section on the next page, or, to exit at this point, press and release the **SETUP** button

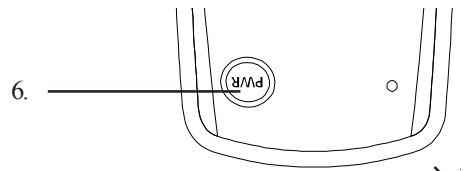
## Learning Commands

The learning feature allows you to "learn" functions from your original remote control. For example - you may want to use your remote to operate the RANDOM PLAY feature from your original CD remote control. This remote is equipped with an "easy learning" feature that allows you to "learn" features (such as RANDOM PLAY from your original CD remote) by following the steps below, and on the next page:

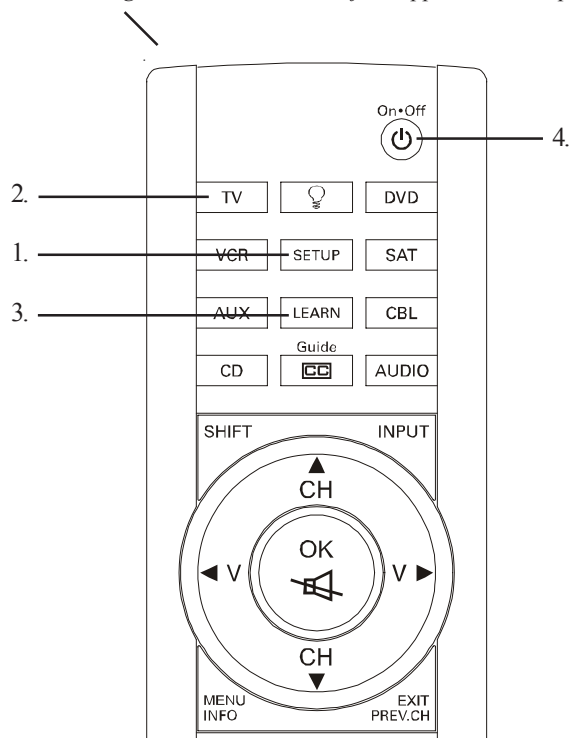
1. Press and hold the **SETUP** button until the green indicator turns on, then release the button.
2. Press and release the desired mode button (**TV**, **VCR**, etc.), the green indicator blinks then stays on.

## Learning Commands, cont.

3. Press and release the **LEARN** button, the green indicator blinks then stays on.
4. Press and release the **Learning Remote** button that you want to teach, e.g. **ON-OFF**. (to learn a "shifted" key press SHIFT first).
5. Point your existing remote at the learning Remote approximately 1 inch apart (see tips on previous pages).
6. Press and hold the **Original Remote** button (e.g. **On-Off**) until the green indicator blinks once and stays on. If there is a learning problem, the green indicator blinks for three seconds and stays on. If this happens, repeat Steps 4 to 6.
7. Repeat Steps 4-6 for other buttons you want to learn.
8. Press and release the **SETUP** button when all desired remote commands are learned. Code Learning is now complete.



Line up your remotes (that you're learning from) in front of the Learning remote, on a hard surface approx. 1 inch apart.



## Clearing Commands

### To Clear all Learned Commands under a mode

Clearing learned commands is helpful if, for example, you replace your CD player with another brand or model. If you had learned a feature from your old CD player's original remote on to this remote (such as RANDOM PLAY), that feature would no longer work for your new CD player. Should you wish to remove or clear one or more "learned" commands, follow the steps below:

1. Press and hold the **SETUP** button until the green indicator turns on. Release the **SETUP** button.
2. Press and release the button for the mode you want to clear (**TV**, **VCR**, etc.). The green indicator blinks off.
3. Press and release the **LEARN** button TWICE. The green indicator blinks off.
4. Press and release the **SETUP** button. The green indicator turns off. All learned Commands under that mode are now cleared.

### Master Clear - To Clear all Learned Commands under all modes

1. Press and hold the **SETUP** button until the green indicator turns on. Release the **SETUP** button.
2. Press and release the **LEARN** button TWICE. The green indicator blinks off.
3. Press and release the **SETUP** button. The green indicator turns off. All Learned commands in the remote are now cleared.

### Lost Your Codes?

Enclosed with this remote is a sticker on which you should write the codes for each device you programmed. Apply the sticker to the back of the remote or somewhere convenient for future reference.

Also on the sticker is our website address which, should you lose your codes or programming instructions, you can find available on our website:

[www.jascoproducts.com](http://www.jascoproducts.com)

## Troubleshooting

### Remote does not operate your product.

- Press the mode button of the product you want to control.
- Program the remote with a new code.
- Install new batteries. (You might have to reprogram your remote after installing new batteries.)
- Remote may not be compatible with your product.

### Remote does not operate some features of your product.

- Program remote with a new code.
- Remote may not be able to operate all features of your product or button names might be different than your product.

### Green Indicator blinks after you program a product code.

- Remote did not accept the code.
- Try to program the code again or try a different code.

## 90 Day Limited Warranty

Jasco Products Company warrants this product to be free from manufacturing defects for a period of ninety days from the original date of consumer purchase. This warranty is limited to the repair or replacement of this product only and does not extend to consequential or incidental damage to other products that may be used with this unit. This warranty is in lieu of all other warranties express or implied. Some states do not allow limitations on how long an implied warranty lasts or permit the exclusion or limitation of incidental or consequential damages, so the above limitations may not apply to you. This warranty gives you specific rights, and you may also have other rights which vary from state to state. If unit should prove defective within the warranty period, return prepaid with dated proof of purchase to:

Jasco Products Company  
311 N.W. 122nd  
Oklahoma City, OK 73114

RM25001



# Universal Remote Instruction Manual

Jasco Products Company  
311 N.W. 122nd  
Oklahoma City, OK 73114

Made in China

RM25001-04/06

## Free Manuals Download Website

<http://myh66.com>

<http://usermanuals.us>

<http://www.somanuals.com>

<http://www.4manuals.cc>

<http://www.manual-lib.com>

<http://www.404manual.com>

<http://www.luxmanual.com>

<http://aubethermostatmanual.com>

Golf course search by state

<http://golfingnear.com>

Email search by domain

<http://emailbydomain.com>

Auto manuals search

<http://auto.somanuals.com>

TV manuals search

<http://tv.somanuals.com>