

INSTALLATION INSTRUCTIONS
FOR
50-0283x-017 SERIES 1181323
50-0283x-018 SERIES 1181328
50-0283x-019 SERIES 1181325
JEEP GRAND CHEROKEE
VIDEO CASSETTE PLAYER HOUSING



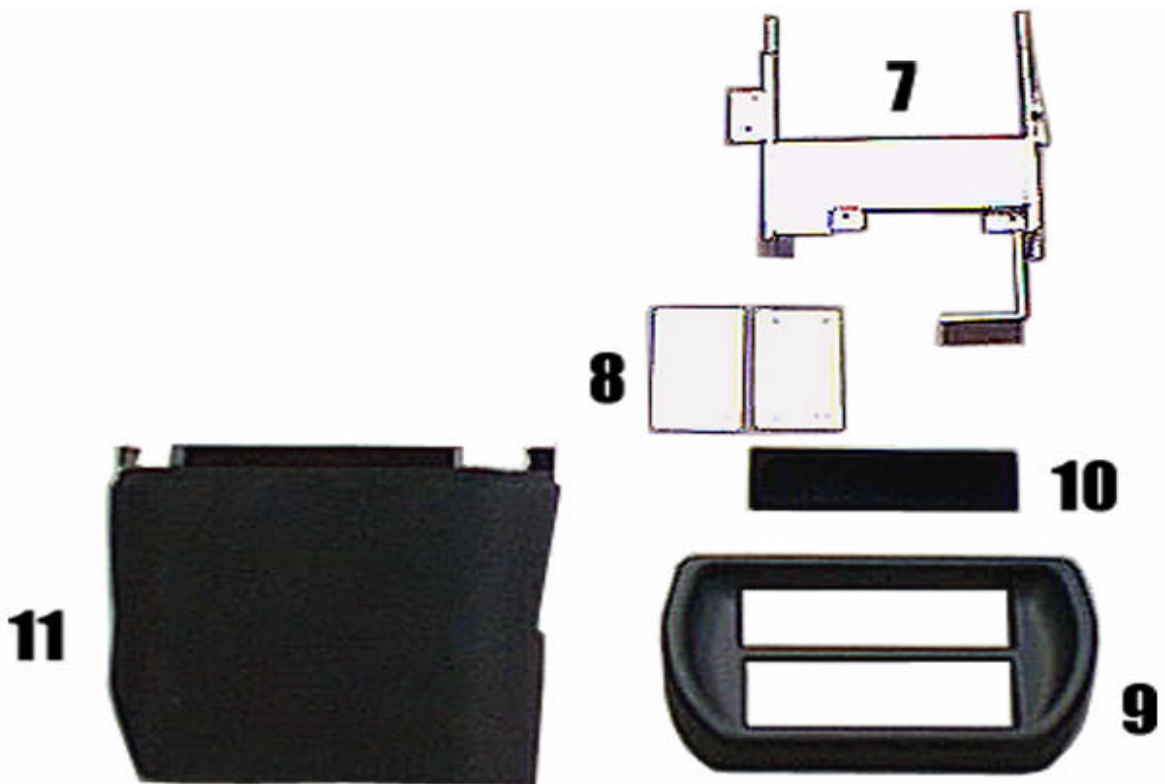
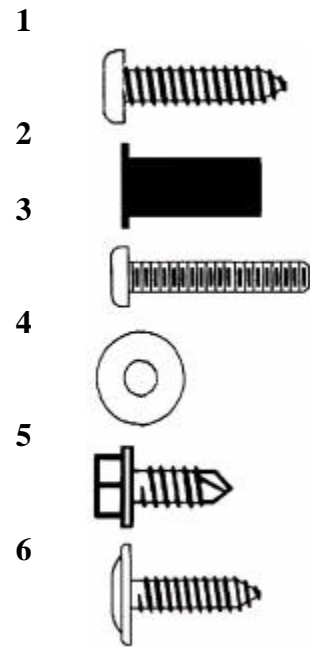
These instructions are intended for use only by experienced professionals in the automotive customizing business. Special tools and equipment, as well as specialized handling and care of product during installation, may be required. Before beginning this installation, carefully read through the following instructions. **Use extreme care when cutting headliner material.** Check for wiring or other componentry above headliner material. Cut only where indicated. Materials/ Tools required for this installation:

1. #2 Phillips screwdriver
2. Powered screwdriver or drill with adapter
3. 1/4" hex socket bit
4. Razor knife or similar
5. 10 mm deep socket
6. Pin router or similar
7. Audiovox VCP (AVP-7180 or equiv.)

MATERIALS PROVIDED FOR INSTALLATION:
INSTALLATION INSTRUCTION # 44-0033A

June 7, 1999
Printed in the U.S.A

ITEM	Description	QTY
1	SCREW, # 8 X 3/4" PPH	4
2	WELL NUT, 10-32	2
3	SCREW, 10-32 x 1" PPH	2
4	WASHER, # 10	2
5	SCREW, # 10 X 1/2" HWH	4
6	SCREW, # 8 X 9/16" PWH	8
7	CD/VCP MOUNTING BRACKET	1
8	HOUSING MOUNTING BRKT.	2
9	HOUSING TOP	1
10	STORAGE POCKET	1
11	HOUSING BOTTOM	1



IF VEHICLE IS NOT EQUIPPED WITH A FACTORY 10 DISC CD CHANGER, PROCEED TO STEP 5.

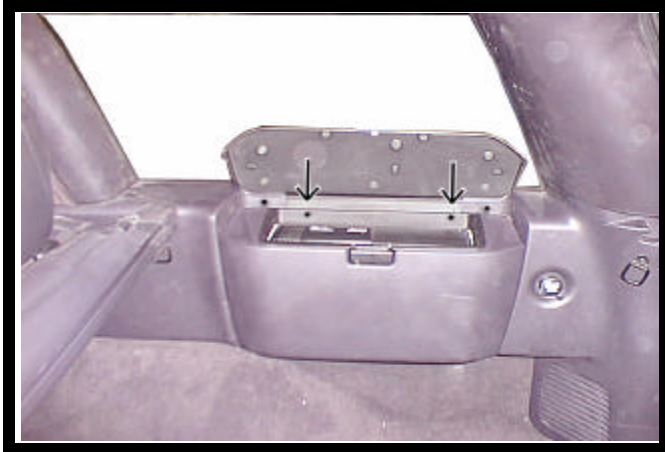


FIGURE 1

1. Locate the O.E.M. CD changer housing mounted to the rear passenger side of vehicle. Remove and discard (4) four screws. Remove and discard housing by moving it upward and outward. See Figure 1.

2. Disconnect wiring from CD changer. See Figure 2.
3. Using a 10mm deep socket, remove and retain (4) four 6mm nuts which secure bracket to vehicle. See Figure 2.

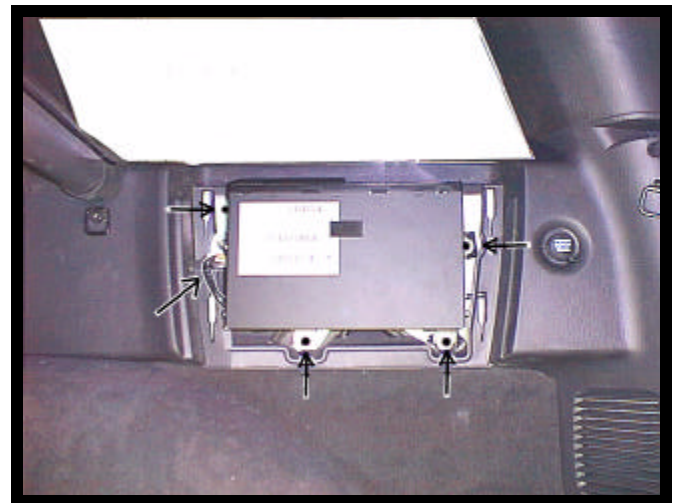
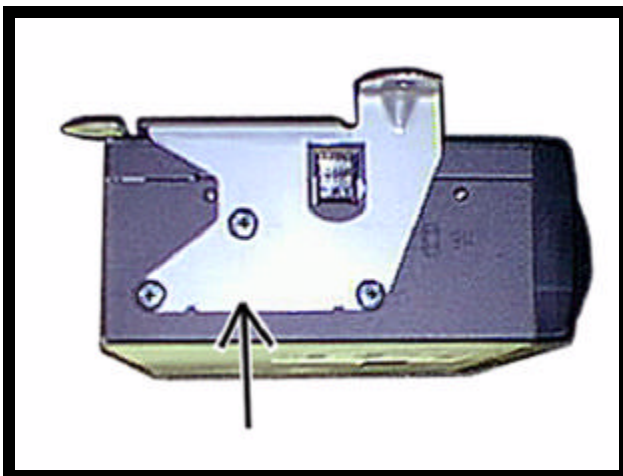


FIGURE 2



**FIGURE 3
IF VEHICLE IS EQUIPPED WITH A FACTORY 10 DISC CD CHANGER, PROCEED TO STEP 6.**

4. Remove bracket from vehicle. Remove and retain (6) six screws which secure CD changer to bracket. See Figure 3. Lay CD changer in a safe place. Discard bracket.

5. Locate the O.E.M. storage pocket mounted to the rear passenger side of vehicle. Remove and discard pocket by moving it upward and outward. See figure 4.



FIGURE 4



FIGURE 5

6. Using a pin router, razor knife, or suitable tool, carefully trim plastic panel as shown to allow clearance for VCP bracket. See Figure 5. **Caution: Before cutting panel, check for wiring or other componentry behind panel. Cut only where indicated.**

7. Install (2) two housing mounting brackets (item 8 pg 2) as shown and secure using (3) three # 8 X 9/16" screws (item 6 pg 2) on each side. See Figure 6.

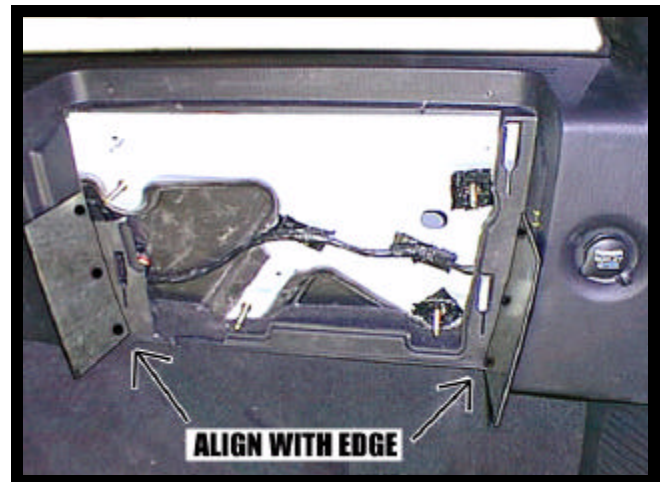


FIGURE 6

8. Route video and audio cables to rear passenger side VCP location. See Figure 7.



FIGURE 7

II. PREPARATION OF COMPONENTS FOR INSTALLATION

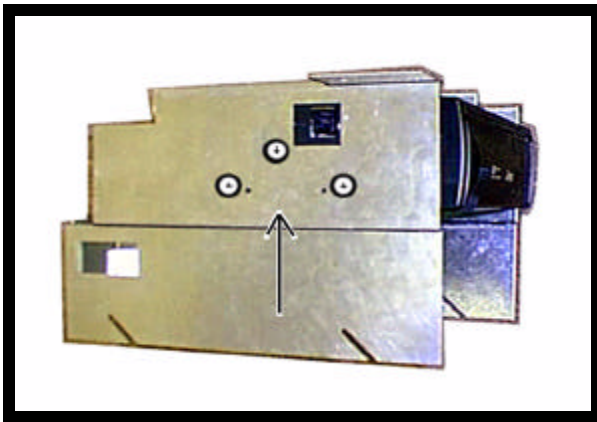


FIGURE 8

9. Remove and discard (2) two screws which secure mounting bracket (item 7 pg. 2) to housing. Insert CD changer (if equipped) into mounting bracket and secure in original manner using (6) six O.E. screws. See Fig. 8.

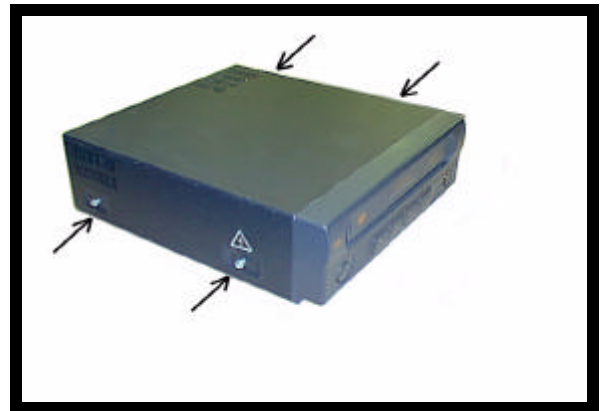


FIGURE 9

10. Remove and discard (4) four screws from VCP. Loosely install (4) four #8 X 3/4" screws (item 1 pg. 2) in those locations. See Figure 9.

III. INSTALLATION OF HOUSING IF VEHICLE IS NOT EQUIPPED WITH A FACTORY 10 DISC CD CHANGER, PROCEED TO STEP 13.

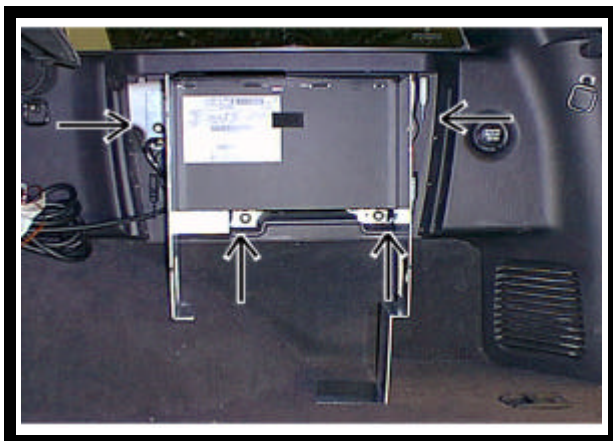


FIGURE 10

11. Install CD player and bracket over O.E. studs and secure using original hardware. See Fig. 10.
12. Connect wiring to CD player.

**IF VEHICLE IS EQUIPPED WITH A FACTORY 10 DISC CD CHANGER,
PROCEED TO STEP 16.**

13. Align top holes in VCP mounting bracket (item 7 pg 2) with holes in vehicle. See Figure 11.
14. Insert (2) two well nuts (item 2 pg 2) into top holes and secure using (2) 10-32 x 1" screws (item 3 pg 2) and (2) two # 10 washers (item 4 pg 2). See Figure 11.
15. Secure bracket to vehicle using (4) four # 10 X 1/2" screws (item 5 pg 2).

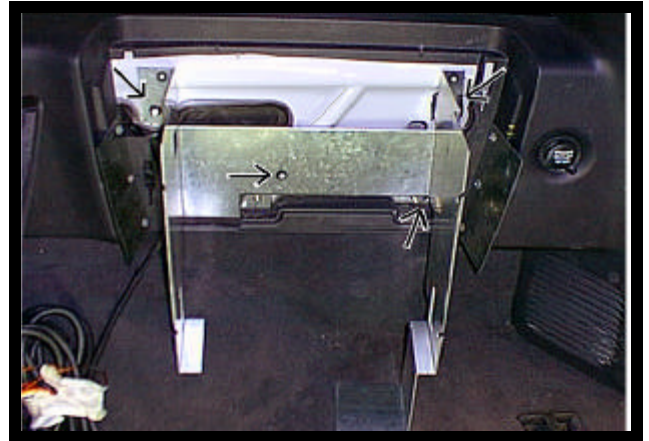


FIGURE 11

16. Remove and discard storage pocket (item 10 pg 2). Using a razor knife, carefully trim away plastic flange to allow for CD player. See Figure 12. Make diagonal cuts at the corners to make it easier when breaking tabs.

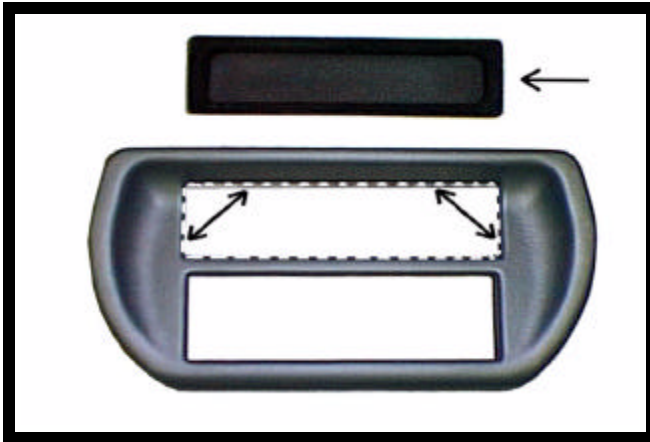


FIGURE 12

17. Make all necessary wiring connections to VCP. Check function of VCP. See operating instructions included with components. For further assistance, refer to the video system manual for the technical support phone number listed for your area.
18. Align screws in VCP with slots in bracket and slide into position. Make sure screws are positioned at bottom of slot. See Figure 13 .
CAUTION: Do not overtighten screws.



FIGURE 13

19. Install housing bottom (item 11 pg 2) and carefully fold carpet away from each side to gain access to mounting holes. Secure to VCP mounting bracket using (2) two # 8 X 9/16" screws (item 6 pg 2) on each side. Make sure contour of housing matches floor of vehicle. See Figure 14. Carefully tuck carpet behind O.E. plastic panel.
20. Carefully install housing top (item 9 pg 2) and press firmly along bottom edge to secure Velcro tape.



FIGURE 14

Free Manuals Download Website

<http://myh66.com>

<http://usermanuals.us>

<http://www.somanuals.com>

<http://www.4manuals.cc>

<http://www.manual-lib.com>

<http://www.404manual.com>

<http://www.luxmanual.com>

<http://aubethermostatmanual.com>

Golf course search by state

<http://golfingnear.com>

Email search by domain

<http://emailbydomain.com>

Auto manuals search

<http://auto.somanuals.com>

TV manuals search

<http://tv.somanuals.com>